



Middleton®

25" top-mount single-bowl kitchen sink
14711-3

Features

- Three faucet holes
- 8" (203 mm) depth
- 3-5/8" (92 mm) drain opening
- Satin finish

Material

- Premium 20-gauge stainless steel

Installation

- Top-mount

Recommended Products/Accessories

- 7400 Stainless Steel Sink Drain and Strainer
- K-23726 Drain treatment
- K-23729 Stainless steel cleaner

Included Components

- 1279210 12 Count Installation Clips

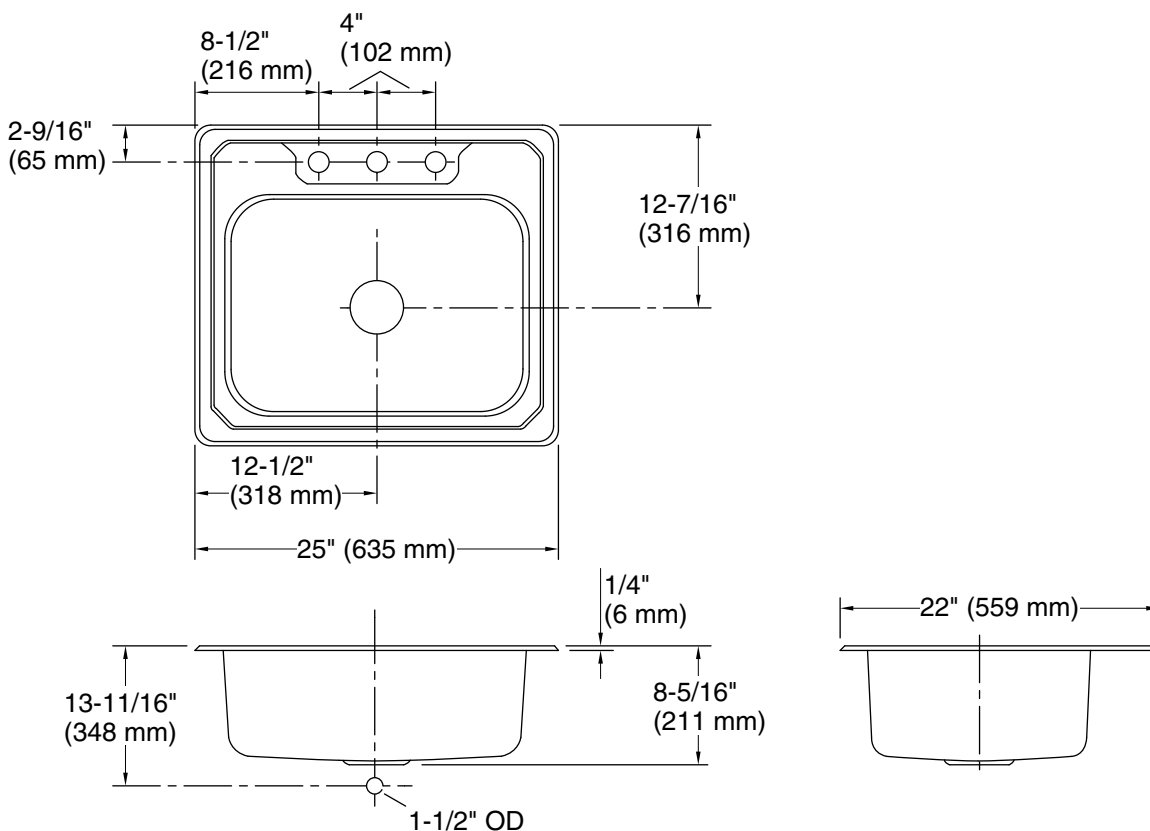


Codes/Standards

ASME A112.19.3/CSA B45.4

STERLING® Stainless Steel Sinks Lifetime Limited Warranty

See website for detailed warranty information.



Technical Information

All product dimensions are nominal.

Basin configuration: Single Bowl

Cutout: Top-mount, 24-1/2" x 21-1/2" (622 mm x 546 mm) with 1/2" (13 mm) radius corners

Bowl area (Basin #1):
Length: 21" (533 mm)
Width: 15-1/4" (387 mm)
Bowl depth: 8" (203 mm)
Water depth: 8" (203 mm)

Number of deck holes: 3

Faucet hole(s): 1-7/16" (37 mm)

Drain hole: 3-5/8" (92 mm)

Notes

Install this product according to the installation instructions.

Measure your actual product for roughing-in details.