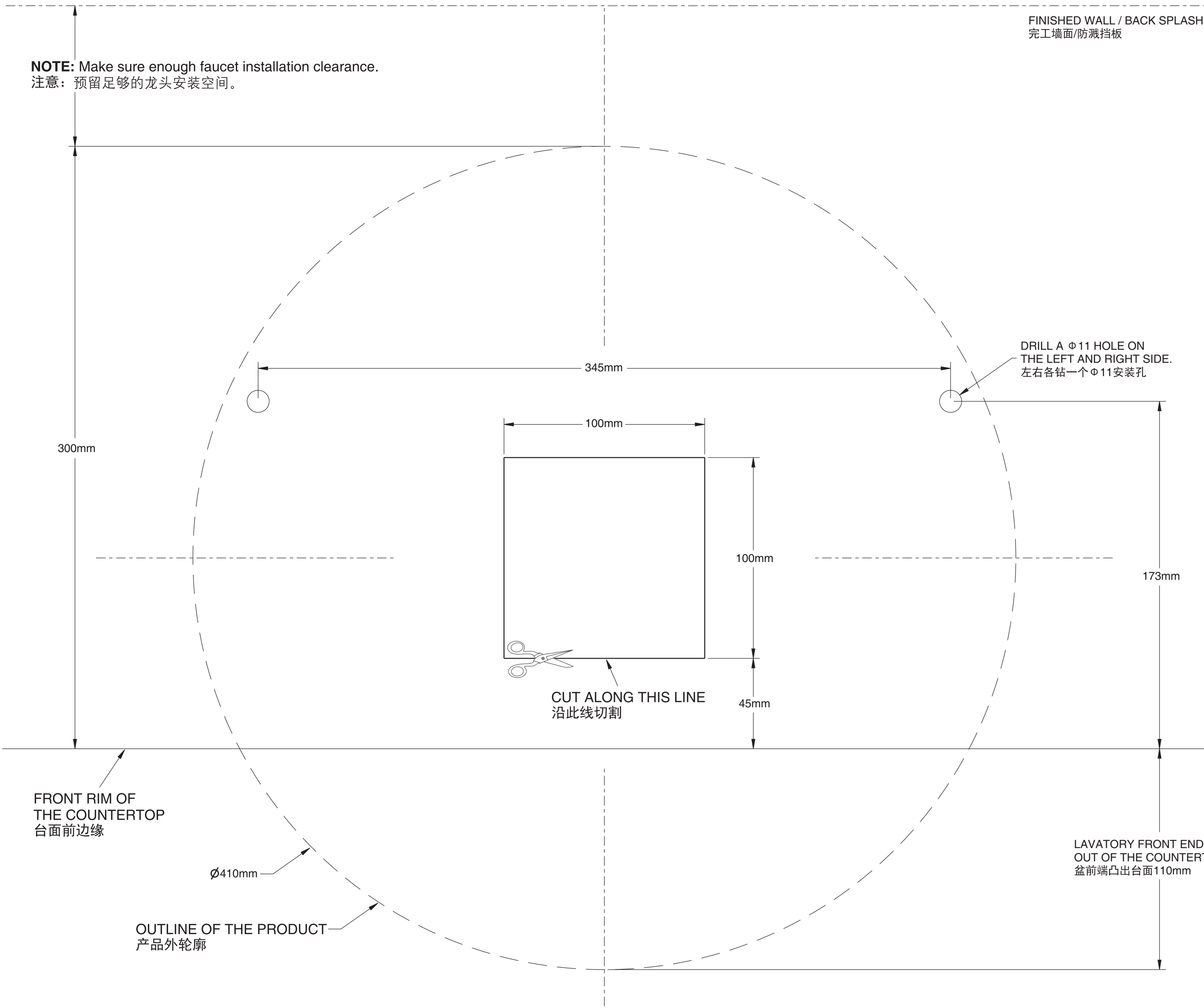


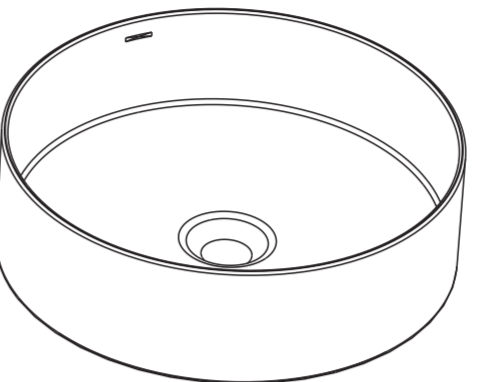
FINISHED WALL / BACK SPLASH  
完工墙面/防溅挡板



NOTE: Make sure enough faucet installation clearance.  
注意: 预留足够的龙头安装空间。



# K-26677T MICA 丝嘉



### BEFORE YOU BEGIN

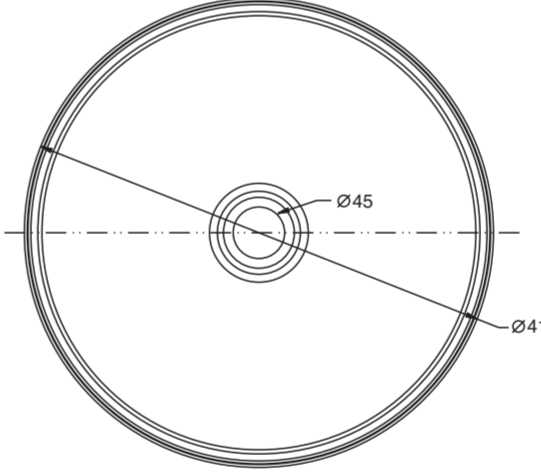
- Observe all local plumbing and building codes.
- Inspect the waste and supply tubing; replace if necessary.
- Prior to installation, unpack the new lavatory and carefully inspect it for damage. Return the lavatory to its protective carton until you are ready to install it.
- For replacement installations, make sure the existing cutout is the same or smaller size as the new lavatory.
- Use the template supplied with the lavatory to mark correct size cutout.
- Kohler lavatory is made according to American National Standard that it can match the American lavatory fittings. Any other lavatory fittings may not fit for Kohler lavatory.
- Fixture dimensions are nominal and conform to tolerances established by ASME Standards (A112.19.2-2015).
- The product complies with GB/T 6952-2015.
- Please purchase 880089-CP for installation if the operating rod is not long enough.

### TOOLS AND MATERIALS (Not Supplied)

- Template(supplied)
- Safety glasses
- Pencil
- Scissors
- Tape measure
- Putty knife
- Plumbers putty
- Hacksaw
- Keyhole saw or saber saw
- Drill (11mm drill bit)
- Adjustable wrench
- Pipe wrench
- Tubing outter

### ROUGHING-IN

Reference Value  
参考值



Kohler reserves the right to change marked dimensions without prior notice.  
科勒公司保留随时变更图中标示尺寸的权利, 无需另行通知。

### INSTALL NEW LAVATORY

- Cut the template on the cutout line.
- Position the template on the countertop to ensure clearance between the lavatory, faucet, and backsplash.
- Verify cabinet clearance beneath the countertop.
- Trace the template on the countertop with a pencil. Mark the center hole and two position of mounting holes on the countertop.
- Re-check the clearance between the lavatory, faucet, backsplash, and cabinet. Adjust the template accordingly.
- Drill two  $\phi 11$  holes at the position marked on the countertop.
- Cut the opening in the countertop along the inside edge of the pencil line.
- Drill faucet hole according to the installation of the faucet.

### 安装之前

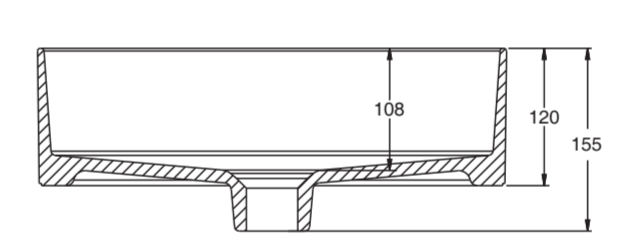
- 留意当地所有给排水及建筑规定。
- 检查污水管及供水管, 如有需要请更换。
- 安装之前, 先拆开新脸盆的包装, 并小心检查新脸盆是否有损坏, 再将脸盆放回包装盒内, 到安装时才取用。
- 若为更换新脸盆, 须确保现有的柜台孔口与新脸盆的切割位相同或较后者小。
- 请使用同时印在此说明书上的切割图, 标划正确的切割位。
- 科勒洗脸盆是根据美国标准制造的, 与美式洗脸盆配件相配。其它洗脸盆配件可能与之不相配。
- 部件尺寸为标称值, 误差符合美国ASME标准(A112.19.2-2015)。
- 本产品符合GB/T 6952-2015。
- 如提拉杆龙头配套的球杆长度不足, 请另购买配件880089-CP来配合安装。

### 所需工具及物料 (不随货供应)

- 模板(已提供)
- 护眼镜
- 铅笔
- 剪刀
- 卷尺
- 割油灰刀
- 水管用油灰
- 钢锯
- 匙孔线锯或手提电锯
- 钻头(直径为11mm钻头)
- 活动扳手
- 喉管扳钳
- 切割刀

### 尺寸图

Unit: mm  
单位: 毫米



	Length 长	Width 宽	Height 高	Depth 盆深
Outer 外尺寸	410	410	155	
Inner 内尺寸	399	399		108

### 安装新脸盆

- 将切割图沿切割线切出。
- 将切割图放在柜台上, 确保脸盆、水龙头和防溅挡板之间有足够距离。
- 查核盥洗台下的储物柜也有足够空间。
- 用铅笔沿切割图在盥洗台面划线, 根据模板用铅笔标示出中间开孔线和两个安装孔线。
- 再次检查脸盆、水龙头、防溅水板及储物柜的空间及距离, 如有需要可调整切割图的位置。
- 用钻头在台面上的标示位钻2个 $\phi 11$ 的孔。
- 沿着自切割图划出来的铅笔线内侧切开台面。
- 根据适配的龙头安装说明钻龙头安装孔。

## SEMI RECESSED VESSEL LAVATORY 圆形半嵌入式脸盆 CUT-OUT TEMPLATE / INSTALLATION INSTRUCTIONS 切割图/安装说明书

- Please cut the cabinet according to the lines on the template. If the cabinet top is not flush with the countertop, please adjust the cutting lines of the cabinet top accordingly.
- Temporarily position the lavatory on the countertop, make sure the bolts are fixed through the mounting holes, and adjust to proper position.

CAUTION: Risk of personal injury or product damage. Large lavatories are very heavy. Get help lifting the lavatory into place.

- Trace a pencil line around the outside edge of the lavatory.
- Remove the lavatory, cut the area shown in the template into a round rim.
- Install the faucet and drain according to the manufacturers instructions.

- Apply two beads of sealant to the inside of the pencil line.
- Spread the sealant evenly with a putty knife.

- Position the lavatory on the countertop, then fix it by tight the nuts.

CAUTION: Risk of personal injury or product damage. Large lavatories are very heavy. Get help lifting the lavatory into place.

- Immediately wipe away any excess sealant, and fill any voids as needed.
- Verify that the lavatory has not moved out of position.
- Allow the sealant to cure for at least 30 minutes before proceeding.
- Connect the faucet supply lines.
- Connect the drain assembly.
- Open the faucet valves, and check for leakage.
- Clean up with a non-abrasive cleaner.

### IMPORTANT CONSUMER INFORMATION (CARE AND CLEANING)

- To keep your lavatory looking new, make sure you rinse it out thoroughly after each use. DO NOT USE ABRASIVES on this product, as they will scratch and ruin the surface. Stubborn stains, paint, or tar can be removed with turpentine or paint thinner.
- Do not use the product in the water below 0°C.
- Please do not use hard materials (like scouring pad) to clean product surface, especially the product logo.

- 按照模板线切割柜子, 若柜面与台面不平, 请相应调整柜面切割线。

- 暂时将脸盆放在台面上, 确保螺栓穿过安装孔, 校正位置。

小心: 提防身体受伤或损坏产品。因大型脸盆相当重, 需找人帮您一起搬动及安放。

- 用铅笔沿脸盆外缘在盥洗台上划线。
- 然后将脸盆移开, 对台面修整圆角。
- 按照制造商的指引, 安装水龙头和排水管道。
- 沿铅笔线内侧涂上密封胶。
- 用涂油灰刀将其抹匀。

- 将洗脸盆放在台面上, 锁紧螺母以固定洗脸盆。

小心: 提防身体受伤或损坏产品。因大型脸盆相当重, 需找人帮您一起搬动及安放。

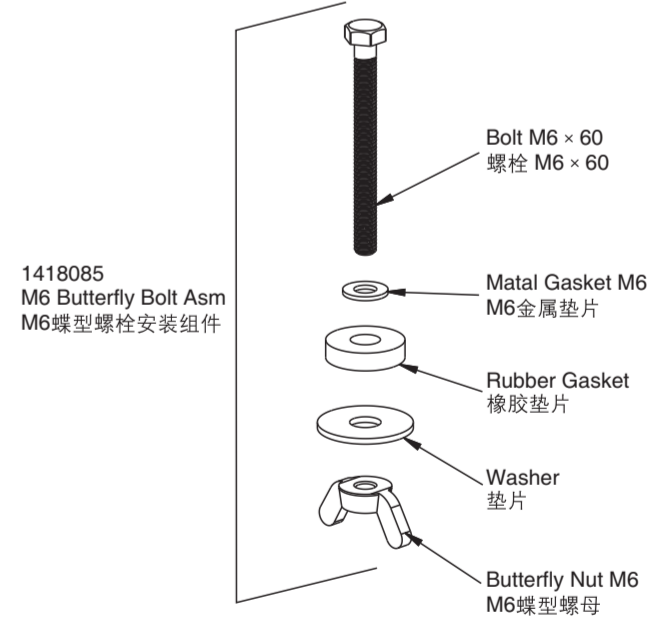
- 立即擦去多余的密封胶, 如脸盆外缘与台面间有缝隙, 即用胶填满。
- 检查脸盆的位置准确。
- 最少待三十分钟, 让密封胶干透后, 方可继续安装。
- 连接水龙头供水管。
- 连接排水装置。
- 开启水龙头阀门, 检查有无渗漏。
- 用非腐蚀性清洁剂来清洁。

### 用户须知 (护理和清洁)

- 为保持脸盆光洁如新, 须确保每次使用后彻底冲洗干净, 切勿使用腐蚀性的清洁剂, 以免刮花及破坏脸盆的表面。要清除顽固污渍, 油漆或柏油, 可使用松油或油漆稀释剂。
- 不要在0°C以下的水环境中使用。
- 请勿使用钢丝球等硬质材料擦洗产品表面, 特别是产品商标处。

### SERVICE PARTS

### 维修零件



No.2 KOHLER ROAD, SANSHUI CENTRAL INDUSTRIAL PARK, LEPING TOWN, SANSHUI DIST., FOSHAN, GUANGDONG, PRC POST CODE: 528137  
广东省佛山市三水区乐平镇三水中心工业园区科勒大道2号 邮编: 528137

8# MENGSHAN RD, ECONOMIC DEVELOPMENT ZONE OF HUANTAI, ZIBO, SHANDONG, CHINA POST CODE: 256410  
山东省淄博市桓台经济开发区蒙山路8号 邮编: 256410

NO.1 KOHLER STREET, ECONOMIC DEVELOPMENT ZONE OF FAKU COUNTY, SHENYANG LIAONING PROVINCE, PRC POST CODE: 110400  
辽宁省沈阳市法库经济开发区科勒大街1号 邮编: 110400