

**BEFORE YOU BEGIN**

Thank you for choosing the Bold Look of Kohler. Kohler craftsmanship offers you a rare combination of proven performance and graceful sophistication that will satisfy you for years to come. The quality and dependability of our Kohler seat will surpass your highest expectations. We are very proud of our product here at Kohler and we know you will be too. Please take a few minutes to study this manual. Pay special attention to the care and Cleaning instruction. All information in this manual is based upon the latest product information available at the time of publication. At Kohler, we constantly strive to improve the quality of our products. We reserve the right to make changes in product characteristics, packaging or availability at any time without notice.

Carefully inspect the new product for any damage. In case of any damage, please discard the product & contact Kohler customer care.

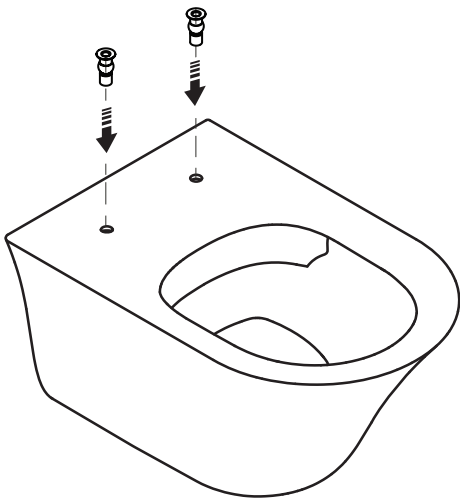
**ORDERING INFORMATION**

KOHLER VIVE® QUIET-CLOSE™ TOILET SEAT.....K-28781IN-\*

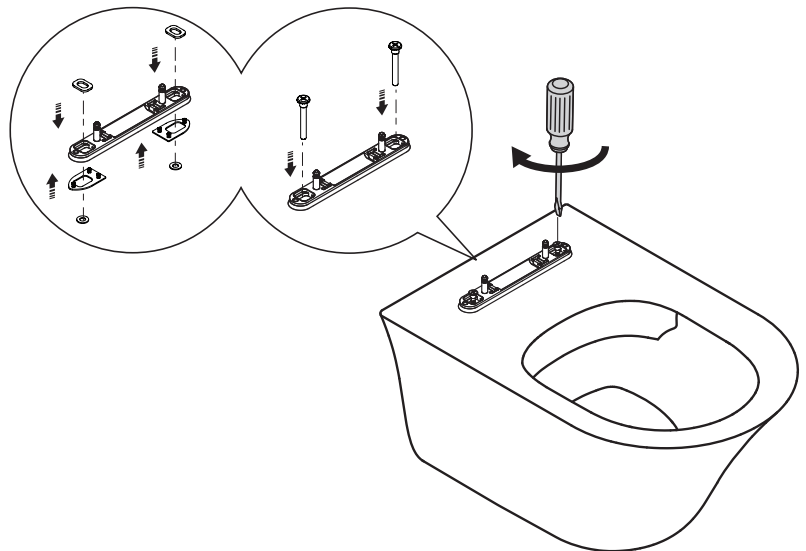
\*Finish/color code to be specified while ordering.

**INSTALLATION INSTRUCTIONS**

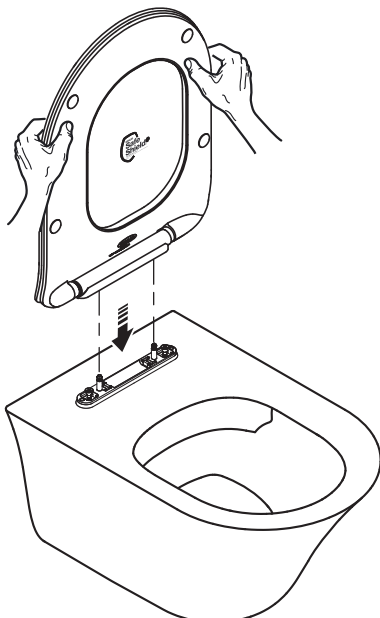
**1**



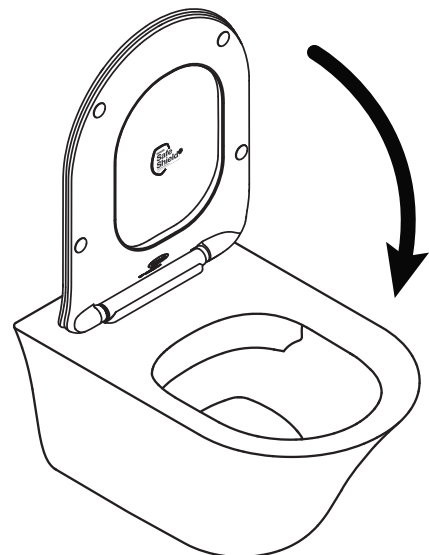
**2**



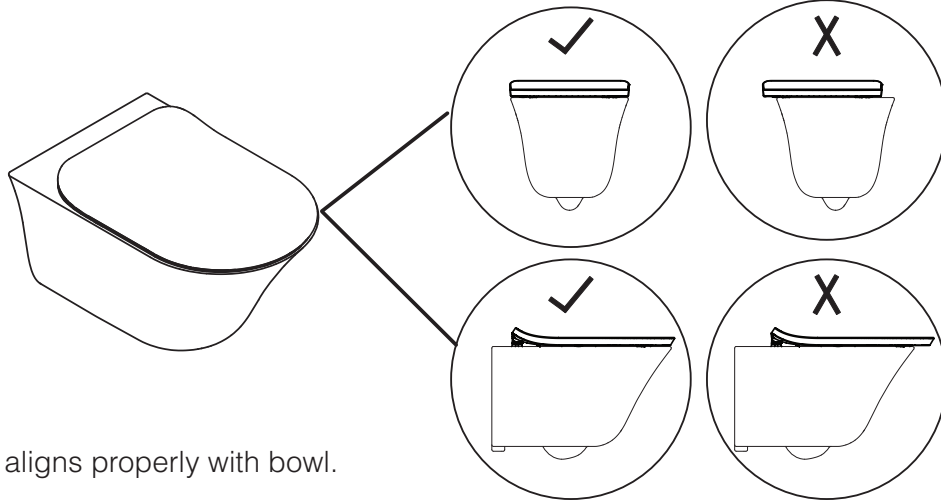
**3**



**4**



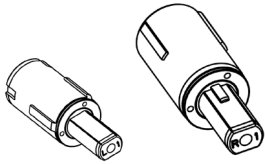
5



Make sure it aligns properly with bowl.

## SERVICE PARTS

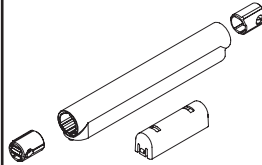
1. 1456456  
Damper Assembly



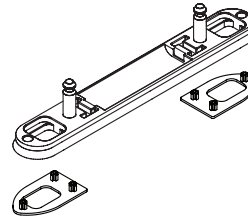
2. 144330-\*  
Bumper Assembly



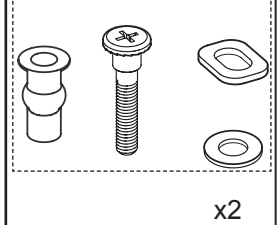
3. 1474217-\*  
Hinge Cover  
Assembly



4. 1474218-\*  
Hinge Baseboard  
Assembly



5. 1287250  
Hardware  
Assembly



## IMPORTANT INFORMATION FOR USER

### Important Notice for Care, Cleaning and Daily use.

#### CAUTION: Risk of product damage.

- Do not stand, knock or stack heavy objects on the toilet seat. The load could damage the toilet seat.
- Clean the outside surface of your toilet seat with mild soap and warm water. Wipe the surface completely dry with a clean and soft cloth.
- Do not use any abrasive cleaners as they will scratch the surface. Avoid any detergents, disinfectants or cleaning products. Avoid contact with abrasive chemicals and solvents such as nail polish removers, thinners and after shave lotions as they may damage the surface of your toilet seat.
- To prevent any possible damage to the seat & it's components, do not use strong acidic or strong alkaline cleaners.
- If the surface becomes excessively dirty, please use a mild general purpose cleaner.
- In case of Quiet-Close seat, allow the seat to drop at it's own pace. Do not force the closure as it may damage the dampers.
- Avoid direct exposure to strong lights such as sunlight, ultraviolet lamps, etc.

Toll Free 1800 103 2244

[kohler.co.in](http://kohler.co.in)

© 2021 Kohler Co.