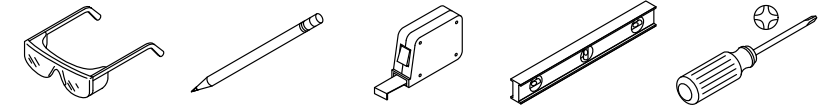


KALLISTA®



1476115-2

Record your model number: _____

CAUTION: Risk of personal injury. Do not install where the product might be used as a grab bar or support bar.

IMPORTANT! This product should be mounted to a wall stud. While it is possible to mount to any surface, a stud-mounted product will yield the best result.

NOTE: Your product may appear different than the one illustrated. The installation procedure is the same.

1A. Drill Bits: 1/8", 1/4", 5/16"

2A. Recommended Tissue Holder Location

3A. Two-Post Accessories: Verify "X" against the measurements of your product.

4A. Loosen the setscrew and remove the wall plate.

5A. Two-Post Accessory: Mark the post centerpoints.

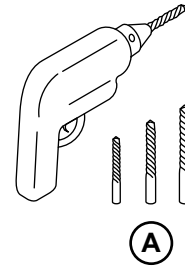
7A. For installation to a stud, drill 1/8" holes. For installation to drywall, drill 5/16" holes. For installation to ceramic tile, drill 1/4" holes.

8A. Installation Between Studs: Use the provided pin to install the drywall anchors.

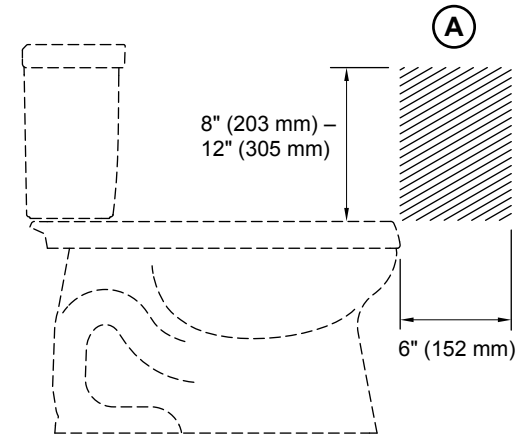
9A. Installation to Concrete or Tile: Install ceramic anchors.

Need help? Contact our Customer Service Department at 1-888-4-KALLISTA (1-888-452-5547) or kallista.com.

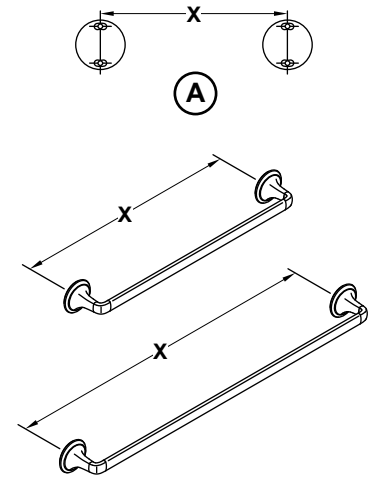
1



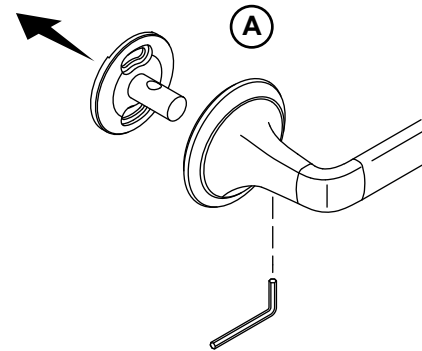
2



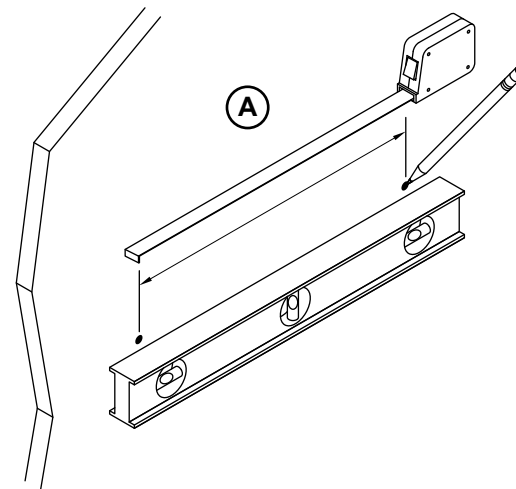
3



4



5



6

