

# 安装说明

## 气动面板

记录您的型号：  
Record your model number: \_\_\_\_\_

English, page 8

**KOHLER**<sup>®</sup>

1478373-T2-B

## 感谢您选择科勒

---

需要帮助？请联系我们的客户服务中心。

- 中国大陆：+(86) 800-820-2628, +(86) 400-820-2628
- 中国香港、中国澳门、中国台湾：+(852) 3125-7728
- 保养和清洁：[kohler.com.cn/support/care-and-cleaning/](http://kohler.com.cn/support/care-and-cleaning/)

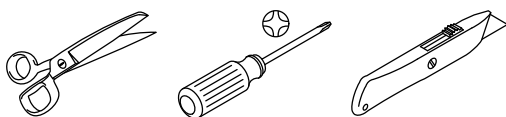
## 质保

---

本产品<sup>®</sup>在科勒®卫浴产品的3年有效质保范围内，详见所附的《合格证》。

## 工具和材料

---



## 开始之前

---

安装气动面板前，确保墙面施工已完成。

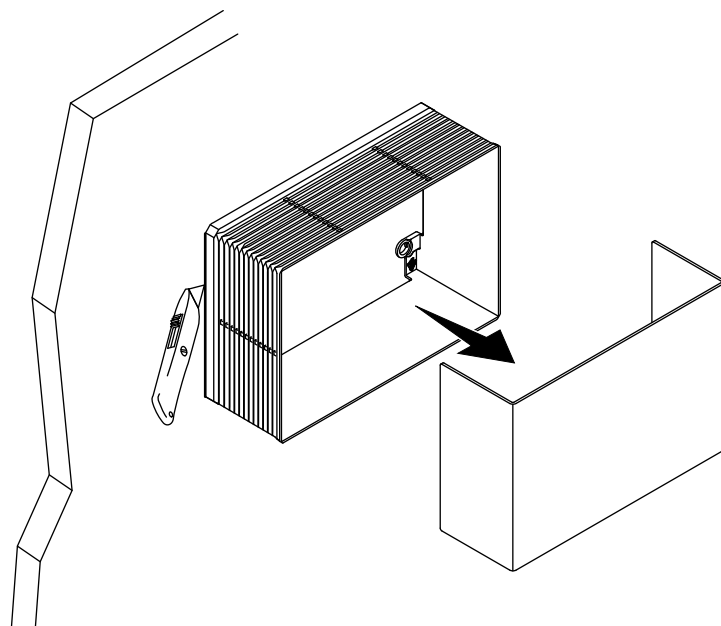
请遵守当地管路安装及建筑条例。

用锁紧螺栓来安装固定框架。

对于面板的安装位置远离入墙式水箱的，请使用夹板安装固定框架。

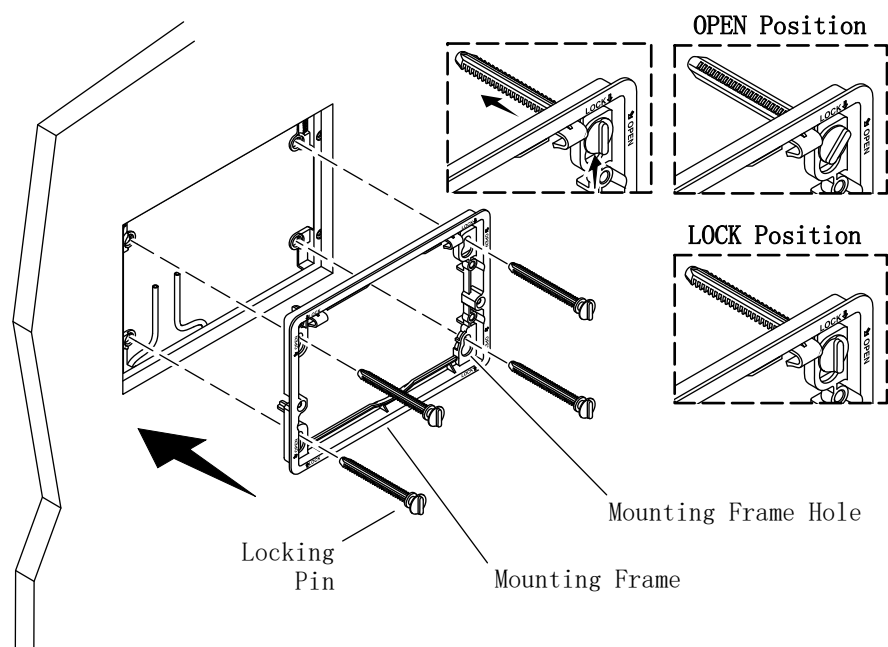
## 1. 移除遮板

---



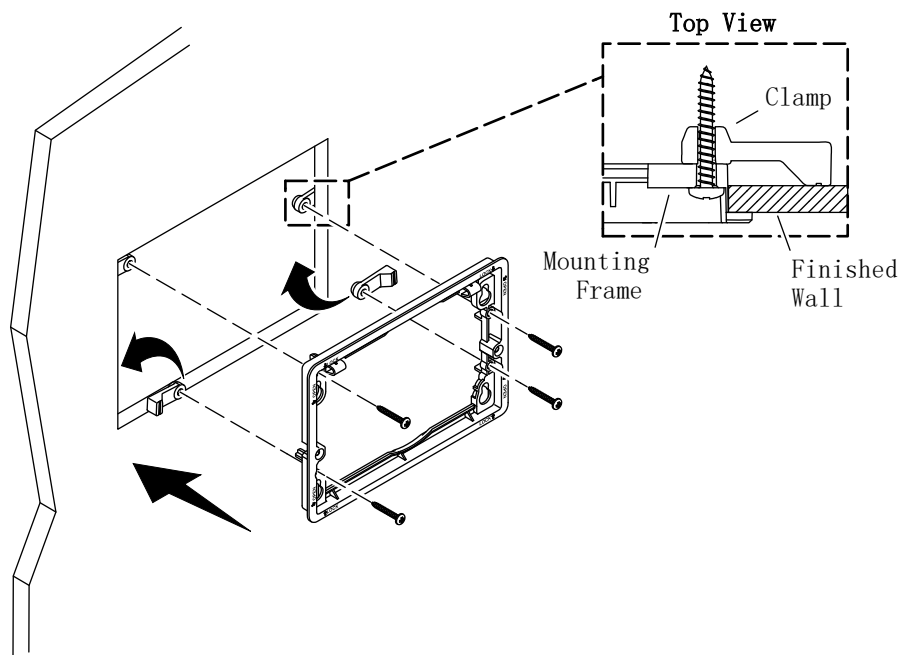
- 移除遮板。
- 使用锋利的美工刀沿着完工墙面切割方形罩。弃置修剪下的部分。

## 2. 使用锁紧螺栓安装固定框架



- 如果墙面板施工还没完成，请此时施工。
- 调整固定框架的方向，将“LOCK↓”部分置于上方。
- 插入锁紧螺栓到固定框架。
- 确认锁紧螺栓位于固定框架孔位的较小开口内。
- 将锁紧螺栓转到“OPEN”位置。
- 将固定框架与水箱口对齐。
- 如果需要，请切割锁紧螺栓，以便与墙壁平齐。
- 将锁紧螺栓转到“LOCK”位置，以便将固定框架安装到位。

### 3. 使用夹板安装固定框架（可选）

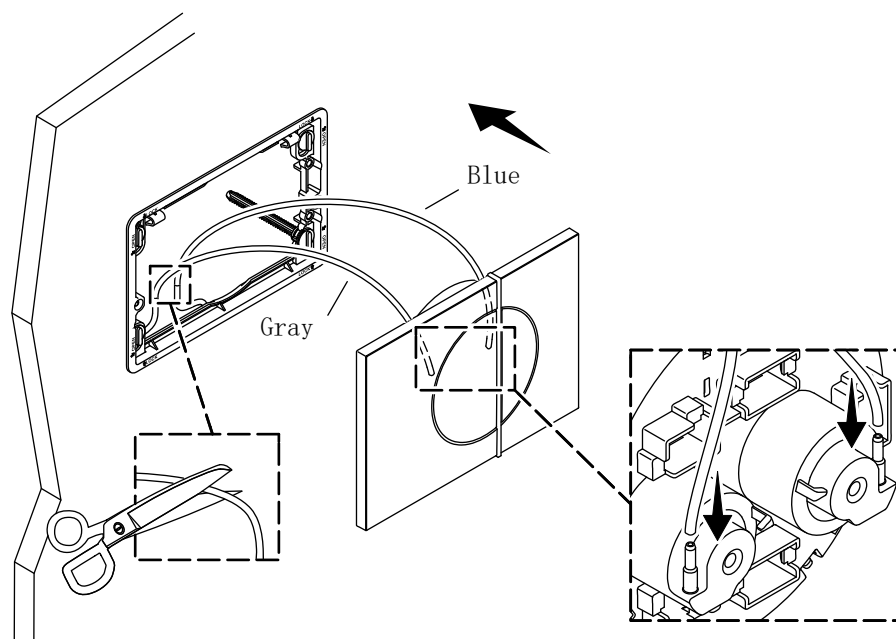


**注：** 对于面板的安装位置远离水箱的，请使用此安装方法。

- 如图所示，将夹板卡在完工墙内侧。
- 将固定框架与水箱窗口对齐。
- 拧紧螺丝，以便将固定框架安装到位。

## 4. 连接软管

---



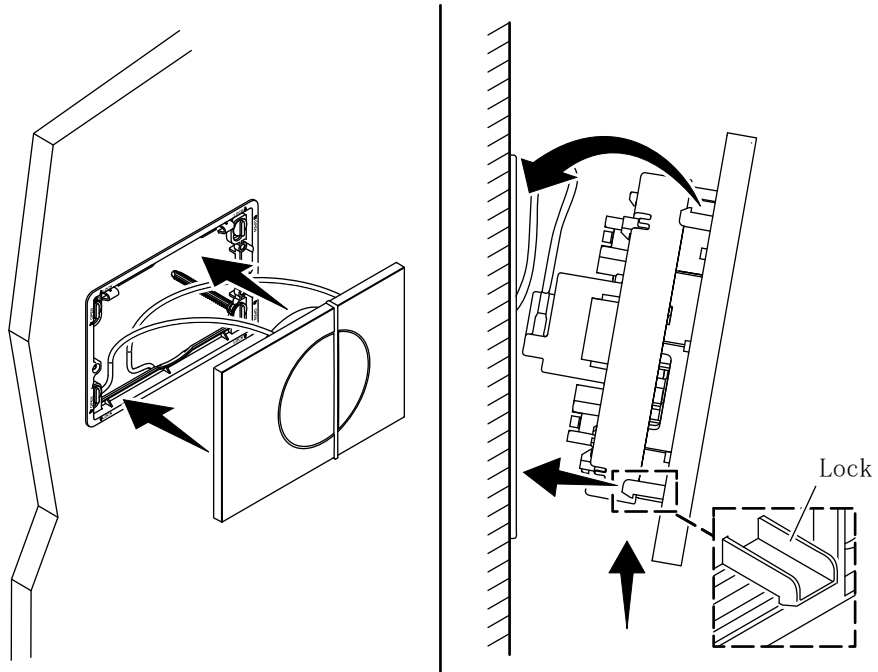
**重要信息!** 确认面板没有夹住软管。

**注:** 根据需要切割软管，使软管不会折叠。

□ 将用于大冲的软管（灰色）连接到大冲按钮背面的端口上。

□ 将用于小冲的软管（蓝色）连接到小冲按钮背面的端口上。

## 5. 安装面板



- 将面板底部的卡扣插入固定框架的卡槽中。
- 按压面板的顶部将其固定到位。
- 确认面板已卡入到正确位置。

# Installation Instructions

## Pneumatic Faceplate

### Thank You for Choosing KOHLER

---

Need help? Contact our Customer Care Center.

- Mainland China: +(86) 800-820-2628, +(86) 400-820-2628
- Hong Kong (China), Macau (China), Taiwan (China): +(852) 3125-7728
- Care and cleaning: [kohler.com.cn/support/care-and-cleaning/](http://kohler.com.cn/support/care-and-cleaning/)

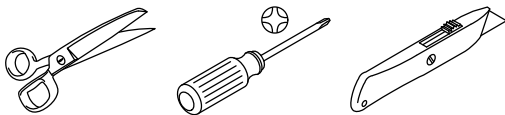
### Warranty

---

This product is covered under the **Three-Year Limited Warranty for KOHLER® Plumbing Products**, found in the packed Compliance Certification.

### Tools and Materials

---



### Before You Begin

---

The finished wall must be in place before installing the pneumatic faceplate.

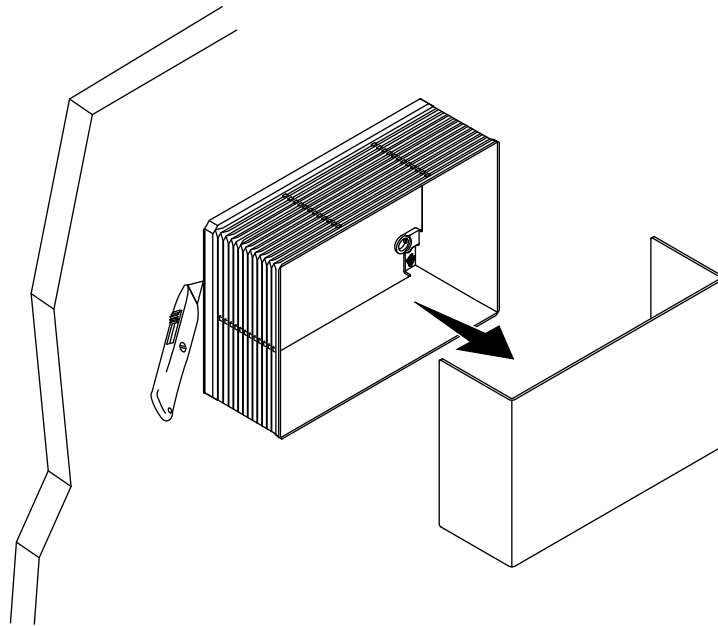
Follow all local plumbing and building codes.

The mounting frame can be installed with locking pins.

For a faceplate that is installed in a remote location from the in-wall tank, install the mounting frame with the clamps.

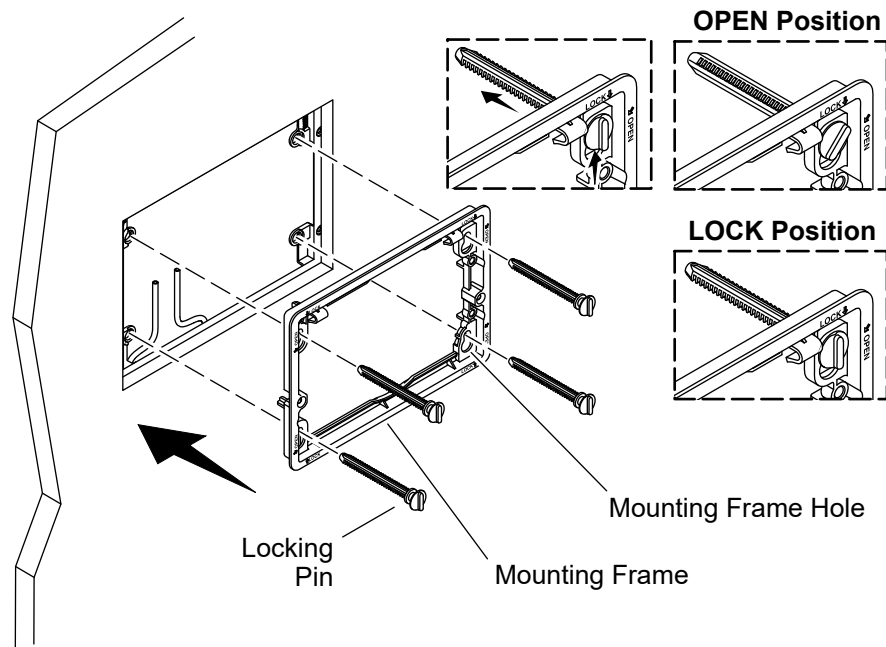
## 1. Remove the Cover

---



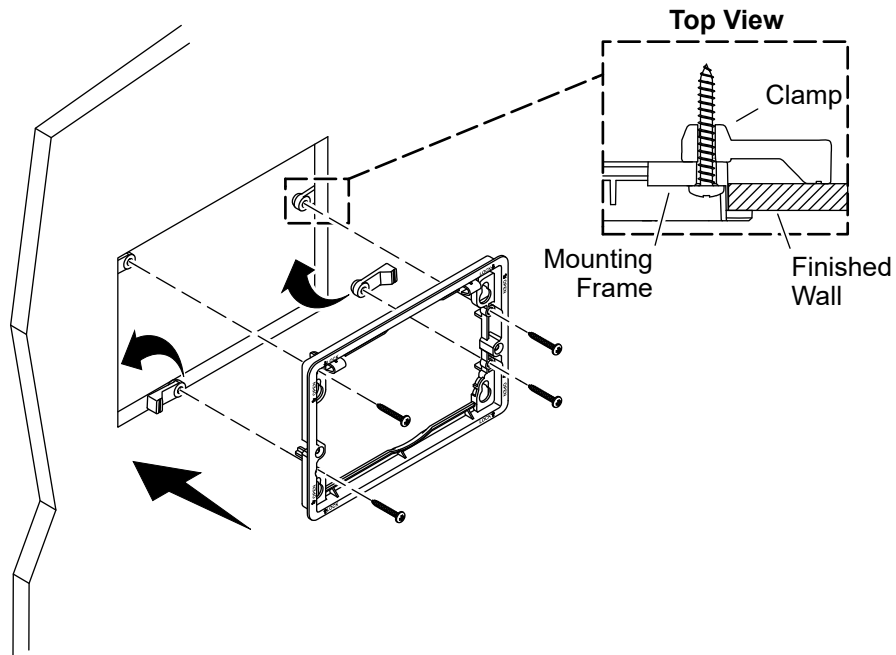
- Remove the cover.
- Use a sharp utility knife to cut the square mask along the finished wall. Discard the trimmed portion.

## 2. Install the Mounting Frame with Locking Pins



- If not already installed, complete the finished wall at this time.
- Orient the mounting frame with "LOCK" at the top.
- Install the locking pins into the mounting frame.
- Verify that the locking pins are located inside the smaller opening of the mounting frame holes.
- Turn the locking pins to the "OPEN" position.
- Align the mounting frame over the tank opening.
- If needed, cut the locking pins for a flush fit to the wall.
- Turn the locking pins to the "LOCK" position to secure the mounting frame.

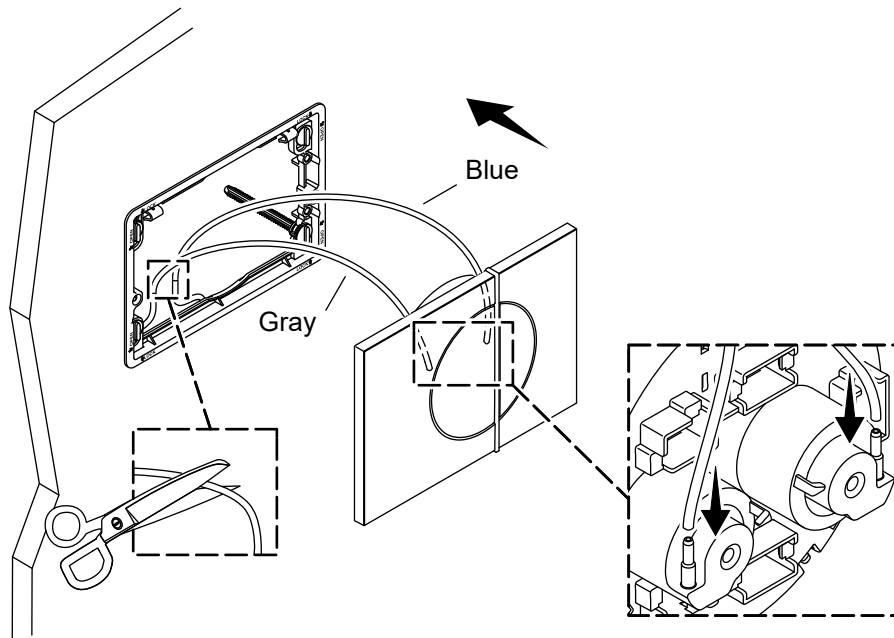
### 3. Install the Mounting Frame with Clamps (Optional)



**NOTE:** This installation option is applicable when the faceplate is to be installed at a remote location from the in-wall tank installed location.

- Position the clamps to the finished wall as illustrated.
- Align the mounting frame with the wall opening.
- Tighten the screws to secure the mounting frame in place.

## 4. Connect the Hoses

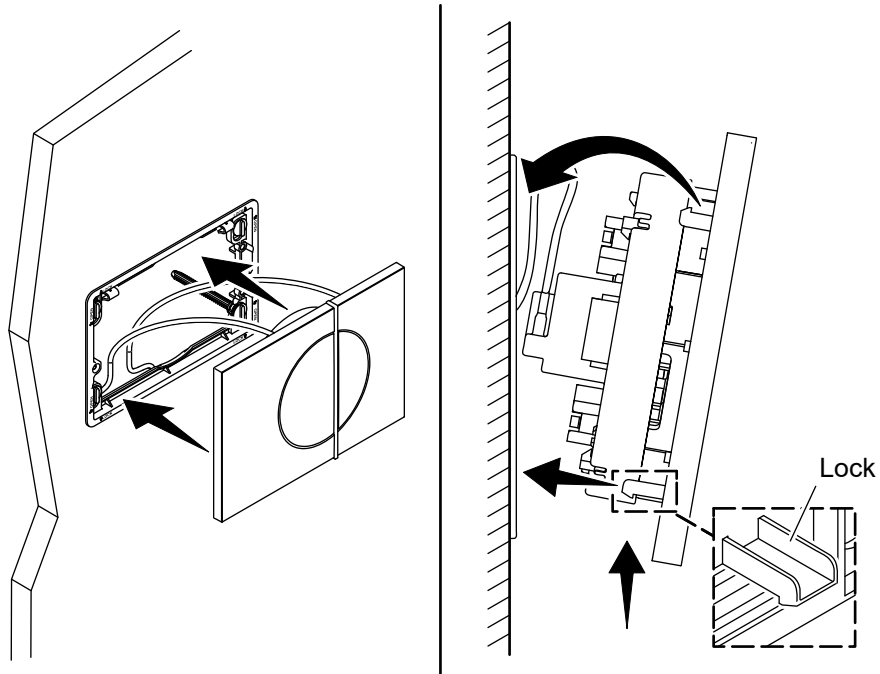


**IMPORTANT!** Verify that the hoses do not get pinched by the faceplate.

**NOTE:** Cut the hoses as needed, so that the hoses do not fold.

- Connect the full-flush hose (gray) to the port on the back of the full-flush button.
- Connect the half-flush hose (blue) to the port on the back of the half-flush button.

## 5. Install the Faceplate



- Insert the lock at the bottom of the faceplate into the slot on the mounting frame.
- Press the top side of the faceplate into place.
- Verify that the faceplate clicks into place.





[kohler.com.cn](http://kohler.com.cn)

THE BOLD LOOK  
OF **KOHLER**®

©2025 Kohler Co.



1478373-T2

1478373-T2-B