

K-20012T-CP	芬尼奧台盆感应龙头（单冷型/不含电源盒/0.5GPM） FINIAL COLD ONLY(W/O P)0.5GPM
K-20013T-CP	芬尼奧台盆感应龙头（冷热混合型/不含电源盒/0.5GPM） FINIAL MIXER(W/O P)0.5GPM
K-20012T-S3-CP	芬尼奧台盆感应龙头（单冷型/不含电源盒/0.35GPM） FINIAL COLD ONLY(W/O P)0.35GPM
K-20012T-S5-CP	芬尼奧台盆感应龙头（单冷型/不含电源盒/0.26GPM） FINIAL COLD ONLY(W/O P)0.26GPM
K-20012H-CP	芬尼奧台盆感应龙头（单冷型/不含电源盒/0.5GPM） FINIAL COLD ONLY(W/O P)0.5GPM
K-20013H-CP	芬尼奧台盆感应龙头（冷热混合型/不含电源盒/0.5GPM） FINIAL MIXER(W/O P)0.5GPM
K-20012T-2BZ	芬尼奧台盆感应龙头-典雅黑（单冷型不含电源盒0.5GPM） FINIAL SENSOR FAUCET COLD ONLY(W/O P)2BZ
K-20012T-BN	芬尼奧台盆感应龙头-罗曼银（单冷型不含电源盒0.5GPM） FINIAL SENSOR FAUCET COLD ONLY(W/O P)BN
K-20012T-RGD	芬尼奧台盆感应龙头-玫瑰金（单冷型不含电源盒0.5GPM） FINIAL SENSOR FAUCET COLD ONLY(W/O P)RGD

安装之前

BEFORE YOU BEGIN

所有的资料是按最新出版的产品资料编写而成。科勒公司保留任何时候不经通知即可改变产品特性、包装或产品可供类型的权利。说明书包括重要的安装、保养及清洁方面的内容，请把这些资料交给用户阅读。

All information is based on the latest product information available at the time of publication, Kohler Co. reserves the right to make changes to product characteristics, packaging, or availability at any time without notice. Please deliver these instructions for the consumer. They contain important installation, maintenance and cleaning information.

安装之前 (续)

注意事项:

1. 一定要先彻底冲洗供水管以清除管道中的杂质, 使用水源为自来水或可供饮用水。
2. 请勿将强力及冲击施于产品, 以免造成故障, 引起漏水。
3. 安装、清洁龙头时, 切勿损伤感应窗口表面, 以免造成故障。
4. 如果是安装新的洗面盆, 可将水龙头和排水组件先安装好到面盆上。
5. 对于直流龙头, 安装时注意电池的正负极不能装反, 电池盒盖要拧紧, 防止电池受潮。
6. 对于交流龙头, 安装时务必按照说明书的要求正确连接导线, 龙头安装完毕后才可向电源盒供电。
7. 一个交流电源盒最多可供两个感应龙头。
8. 交流电的总电源必须有合适熔断丝加以保护。
9. 请勿使产品感应窗口靠近强紫外线或电磁场。
10. 对于冷热混水龙头, 先将连接热水的角阀关闭, 以免烫伤。
11. 修理面盆时, 用黑色电工胶布粘住感应窗口。
12. 维修交流龙头时, 必须断开交流电源并关闭水源。

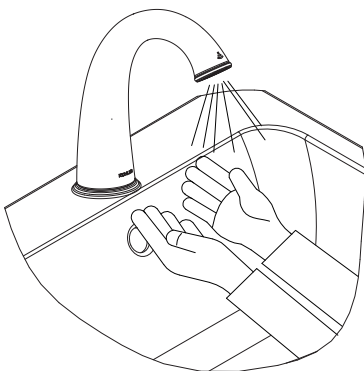
BEFORE YOU BEGIN(Continued)

NOTES:

1. Flush the water supply pipes thoroughly to remove debris. Faucet is designed for tap water or potable water.
2. Handle the faucet with care to avoid damaged.
3. Do not damage the surface of sensing window when installing or cleaning the faucet.
4. For new installations, install the faucet and drain to the lavatory before installing the lavatory.
5. As for DC type faucets, please pay special attention to insert direction matches battery poles. Tighten the battery cover completely to prevent its exposure to moisture.
6. For electric connection on AC faucets, carefully follow the installation instructions provided. Only provide to the electric power box after the installation is completed.
7. Only install a maximum of two faucets to one AC/DC transformer.
8. Ensure electrical source is fitted with a suitable fuse to protect AC/DC transformer unit from damage.
9. Do not put the faucet near strong ultraviolet or electromagnetic field.
10. For faucet with temperature mixer, please turn off valve before connecting to hot water to avoid scalding.
11. Cover the sensing window with black tape when repairing lavatories.
12. Turn off the electrical source and shut down water supply before servicing faucet.

使用说明

1. 手伸到出水口下方感应范围内 (感应距离随面盆、周围的情况而自动调节), 水龙头出水。手离, 0.5~1秒, 水龙头自动止水。
2. 冷热混水龙头水温调节: 先关闭热水角阀, 再将冷水角阀旋至冷水最大状态, 再缓慢打开热水角阀, 以免烫伤。如冷水水压大, 打开全部热水角阀后, 仍无合适水温, 请再缓慢减少冷水出水量, 直至水温使用舒适。



OPERATING INSTRUCTIONS

1. Place your hands under the faucet within the sensor range (the sensor range will auto-adjust to its surroundings , the faucet should be on.) The faucet will automatically turn off after 0.5~1 second after moving your hands away from the sensor. The sensing distance will be adjusted automatically per the condition of the lavatory and surrounding environment.
2. Adjust the water temp for faucet with temperature mixture: turn off hot water valve first, and then turn on the water and adjust to full cold, slowly turn on hot water valve to avoid scalding. If cold water pressure is high and unable to gain proper comfortable water temp even hot water valve is fully open, turn down cold water capacity slowly until water temp is comfortable for use.

建议搭配脸盆

MATCHING LAVATORY RECOMMENDATIONS

K-2764T-1 皓玥时尚碗盆	K-2764T-1 Karess Vessel
K-15096T 艾贝一体化盆	K-15096T Urbanity™ Vanity
K-15095T 艾贝一体化盆	K-15095T Urbanity™ Vanity
K-2264T 苔丝修边式台上脸盆	K-2264T TRESHAM™ Self-rimming Lavatory
K-2186T-1 芬乐尔台上脸盆	K-2186T-1 Fleur® Self-rimming Lavatory
K-2991-1 纽英伦修边式台上盆(长方形)单孔	K-2991-1 Tresham™ Self-rimming Lavatory (Rectangle)
K-2992-1 纽英伦修边式台上盆(椭圆形)单孔	K-2992-1 Tresham™ Self-rimming Lavatory (Oval)
K-2189T-1 珀特勒修边式脸盆	K-2189T-1 Portrait® Self-rimming Lavatory
K-2241T-1 梅玛修边式台上脸盆	K-2241T-1 Memoirs® Self-rimming Lavatory
K-2220T 温蒂斯脸盆	K-2220T Vintage® Self-rimming Lavatory
K-2759T-1 皓玥修边式台上盆	K-2759T-1 Karess Self-rimming Lavatory
K-2075T-1 史瑞夫台上脸盆	K-2075T-1 Serif® Self-rimming Lavatory
K-2351T-1 希玛龙台上脸盆	K-2351T-1 Cimarron® Self-rimming Lavatory
K-2196T-1 斑宁登修边式台上脸盆	K-2196T-1 Pennington® Self-rimming Lavatory
K-2009T-1 富丽奥修边式台上脸盆	K-2009T-1 Folio® Self-rimming Lavatory
K-2881 维克椭圆形台下脸盆	K-2881 Verticyl® Oval Undercounter Lavatory
K-2883 维克圆形台下脸盆	K-2883 Verticyl® Round Undercounter Lavatory
K-2339T 梅玛台下脸盆	K-2339T MEMOIRS® Undercounter Lavatory
K-2940T 温蒂斯大尺寸台下脸盆	K-2940T Vintage® Undercounter Lavatory
K-2240T 温蒂斯台下脸盆	K-2240T Vintage® Undercounter Lavatory
K-2319 贝卡夫台下盆	K-2319 Bancroft® Undercounter Lavatory
K-2768T-1 皓玥台下盆	K-2768T-1 Karess Undercounter Lavatory
K-2215T-M 拉蒂纳台下脸盆	K-2215T-M Ladena® Undercounter Lavatory
K-2751T 希玛龙台下盆	K-2751T Cimarron® Undercounter Lavatory
K-2336T 蒂梵诗台下脸盆	K-2336T DEVONSHIRE® Undercounter Lavatory
K-99184T 乔司 21"椭圆形台下盆	K-99184T Chalice™ Undercounter Lavatory
K-97011T 乔司16"正圆形台下盆	K-97011T Chalice™ Undercounter Lavatory
K-97012T 乔司16"正圆形台下盆	K-97012T Chalice™ Undercounter Lavatory
K-2210T 卡斯登台下脸盆	K-2210T CAXTON™ Undercounter Lavatory
K-2211T 卡斯登台下脸盆	K-2211T CAXTON™ Undercounter Lavatory
K-2219T 利尼亚台下脸盆	K-2219T LINIA™ Undercounter Lavatory

注意：如果使用非推荐的脸盆，可能会产生溅水在脸盆外面感应效果差等情况。

NOTE: Use of a non-recommended lavatory may result in water spillage outside the lavatory which will cause the poor sensing problem.

安装尺寸

ROUGH-IN DIMENSIONS

K-20012T-CP FINIAL COLD ONLY(W/O P)0.5GPM

芬尼奥台盆感应龙头 (单冷型/不含电源盒/0.5GPM)

K-20012T-S3-CP FINIAL COLD ONLY(W/O P)0.35GPM

芬尼奥台盆感应龙头 (单冷型/不含电源盒/0.35GPM)

K-20012T-S5-CP FINIAL COLD ONLY(W/O P)0.26GPM

芬尼奥台盆感应龙头 (单冷型/不含电源盒/0.26GPM)

K-20012H-CP FINIAL COLD ONLY(W/O P)0.5GPM

芬尼奥台盆感应龙头 (单冷型/不含电源盒/0.5GPM)

K-20012T-2BZ FINIAL COLD ONLY(W/O P)2BZ

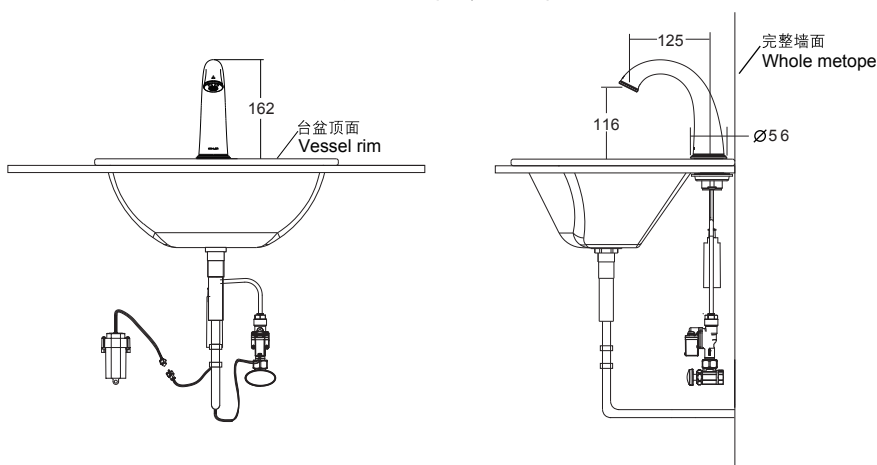
芬尼奥台盆感应龙头-典雅黑 (单冷型不含电源盒0.5GPM)

K-20012T-BN FINIAL COLD ONLY(W/O P)BN

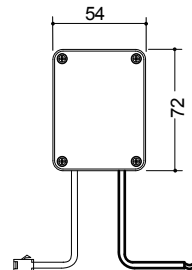
芬尼奥台盆感应龙头-罗曼银 (单冷型不含电源盒0.5GPM)

K-20012T-RGD FINIAL COLD ONLY(W/O P)RGD

芬尼奥台盆感应龙头-玫瑰金 (单冷型不含电源盒0.5GPM)

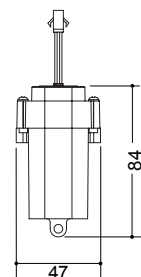


16305T-NA
AC/DC transformer
交流电源盒



Output: DC6V 输出: 直流电压6V
Input: AC220V 输入: 交流电压220V

24484T-NA
DC Power Unit
直流电源盒



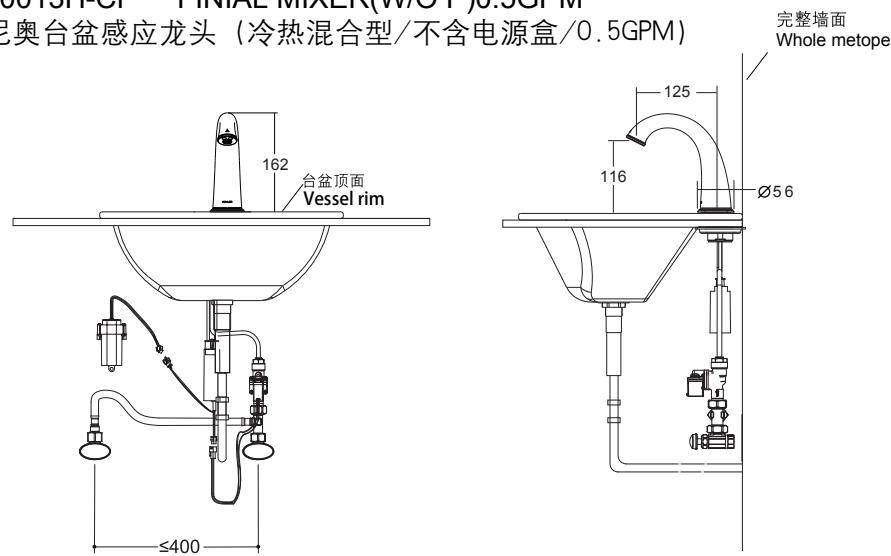
Output: DC6V
输出: 直流电压6V

K-20013T-CP FINIAL MIXER(W/O P)0.5GPM

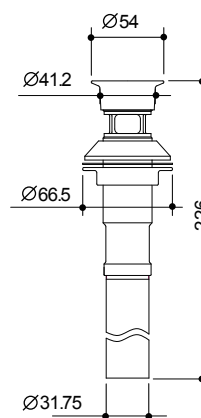
芬尼奥台盆感应龙头 (冷热混合型/不含电源盒/0.5GPM)

K-20013H-CP FINIAL MIXER(W/O P)0.5GPM

芬尼奥台盆感应龙头 (冷热混合型/不含电源盒/0.5GPM)



排水组件
Drain



注意:在选用台上盆时,安装后从台面到台盆最高处不要超过10cm,否则可能影响美观以及手在使用时的舒适性。

NOTE: When installing a self-rimming lavatory make sure the distance between the wall and the lavatory does not exceed 10cm.

技术参数

电源：直流电源盒 4节5号碱性电池(LR06×4)
交流电源盒 输入电压220V, 频率50/60Hz

检测时间：小于0.5秒

关阀延时：0.5~1秒

感应距离：自动调节

流量：K-2012T/H-xx	约1.9L/min
K-2013T/H-xx	
K-2012T-S3-xx	约1.4L/min
K-2012T-S5-xx	约1.0L/min

超时用水控制：超时用水1分钟，自动止水。

环境温度：1~55℃

进水温度：0.5~71℃

适用水压：0.05~0.86MPa

TECHNICAL SPECIFICATION

Power: DC Power Unit 4 pieces of AA size alkaline batteries

AC/DC transformer Input AC 220V, 50/60Hz

Sensor Duration: Less than 0.5s

Shut-off Delay: 0.5~1s

Sensing Distance: Automatic adjustment

Flow Rate: K-2012T/H-xx	About 1.9L/min
K-2013T/H-xx	
K-2012T-S3-xx	About 1.4L/min
K-2012T-S5-xx	About 1.0L/min

Overtime Flowing Control: Automatically stop flushing when the faucet senses an object for more than 1 minute continuously

Ambient Temperature: 1~55℃

Supply Water Temperature: 0.5~71℃

Supply Water Pressure: 0.05~0.86MPa

安装步骤

如何安装水龙头

一 龙头与面盆的安装固定

将龙头电控盒及线(8)和进水软管(7)穿过橡胶垫片(2), 并将橡胶垫片(2)嵌入龙头(1)底部的盘槽中, 再将电控盒及线(8)和进水软管(7)从面盆安装孔穿过, 从台盆下方依次将垫片(3)压片(4)固定环(5)穿过电控盒及线(8)和进水软管(7), 穿时需先穿电控盒及线(8)再穿进水软管(7), 将固定环按照图示方向拧在牙管上, 用十字螺丝刀将两个螺钉(6)紧固在固定环上, 由螺钉端部压紧压片(4)固定水龙头。

注意:龙头安装时与电控盒(8)连接的两根光纤不可弯折, 否则会造出感应不灵敏或不感应现象。

二 安装阀体组件

关闭角阀(11),

对于冷热混水型的阀体组件安装是先将三通进水软管组件的两端与角阀(11)连接, 然后把阀体组件(9)进水口处的保护帽旋出, 将阀体组件(9)进水口与三通进水软管组件(10)连接;

对于单冷型的阀体组件安装是把阀体组件(9)进水口处的保护帽旋出, 将主阀体组件(9)进水口与角阀(11)连接;

INSTALLATION

How to Install the Faucet

1. Secure Faucet on Lavatory

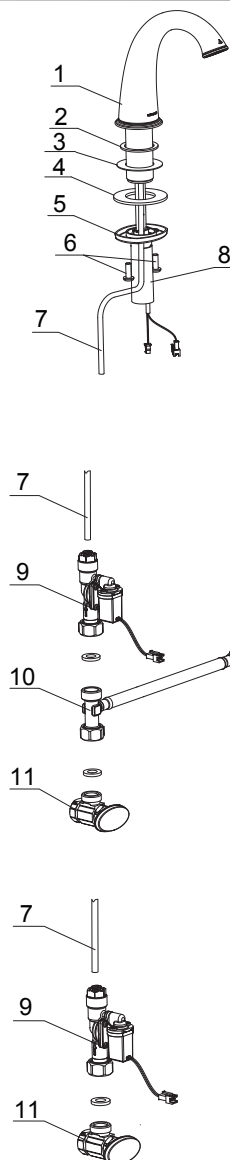
Insert faucet control box/wire (8) and inlet hose (7) through gasket (2), then seat gasket (2) in the groove on the underside of the faucet. Insert faucet control box/wire (8) and inlet hose (7) through lavatory mounting hole, then insert gasket (3), tab (4) retainer (5) through control box/wire (8). Remember insert faucet control box/wire (8) first and then inlet hose (7), fasten retainer on stud as shown in the directions. Last, fasten two screws (6) on retainer, press tab (4) from the top of screws to secure the faucet.

NOTE: Do not bend two optical fibers connected between faucet and control box (8), otherwise, it will cause insensitive or non-sensing problems.

2. Install Valve Assembly

Turn valve off (11).

For mixing water valve assembly installation, connect water inlet hose assembly to both ends of stop valve (11), then unscrew valve assembly (9) water inlet protection cap, connect valve assembly (9) inlet to Tee water inlet hose assembly (10); for cold water faucet installation, unscrew valve assembly (9) water inlet protection cap, connect valve assembly (9) inlet to valve (11);



然后拔去软管头部的保护套，将软管（7）插入阀体出水口快速夹头中。注意主阀体组件与墙面保持平行，与角阀连接牢固，软管插到夹头底部，如果没有插到底易漏水。

注意：建议在连接供水时，在供水管上连接一个临时橡皮或塑料软管，冲洗供水管道，确保水干净，管道内无沙石、垢物等。

三 安装排水组件

旋下排水器盘片(12)，在其底面沿周围涂上一圈密封油灰。把排水本体(13)由底下插入面盆。

把排水器盘片(12)旋入排水本体(13)。从下方用手拧紧锁紧螺母(14)，去除多余的油灰。

注意：在锁紧螺母(14)拧紧后，不可再调整排水本体的位置，否则将会破坏油灰密封。

把尾管(15)接上存水弯(16)，尾管需插入存水弯25mm到55mm之间。

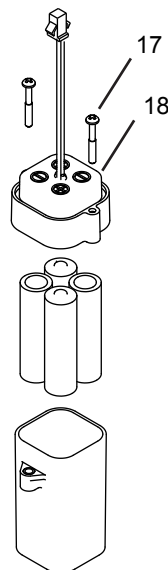
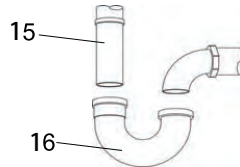
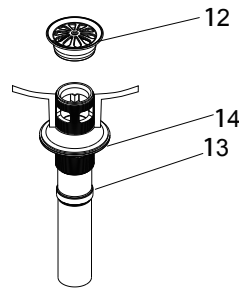
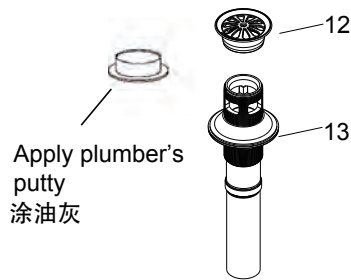
四 安装直流电源盒

1. 取出电池盒组件，旋松螺钉（17），按电池盒盖（18）上的正负极标示装入4节5号电池，紧锁电池盒盖（18）的螺钉（17）后。

注意：电池极性不能装反，新旧电池不能混用。

2. 在合适的位置打孔，打入膨胀管，用自攻螺钉固定电池盒。将相同颜色接插件分别连接。

注意：接插件位置朝上。



then remove hose protector, insert hose (7) into valve outlet quick connector. Pay attention to valve assembly as it must be parallel to the wall. For a good valve connection, insert the hose into the bottom of connector; otherwise a leakage problem may occur.

NOTE: It is recommended to attach a temporary rubber or plastic hose to the supply hose, and then flush the hose to remove dirt and debris.

3. Install Drain

Unscrew the drain flange (12) and apply plumber's putty to its underside. Insert the drain body (13) to the lavatory from below.

Thread the drain flange (12) onto the drain body (13). Tighten the locknut (14) by hand from below. Remove excess putty.

NOTE: Do not change the position of the drain after the locknut(14) is tightened, is tightened as doing so will cause damage to the putty seal.

Connect the tailpiece(15) to the trap(16). The tailpiece should extend 25mm to 55mm into the trap.

4. Install DC Power Unit

1. Take out battery case assy., and loosen the screws(17). Place 4 AA batteries into the battery case according to negative and positive electrode marks on the battery case cover(18). Tighten the screws on the battery case cover(18).

NOTE: do not mistake the battery electrodes, and do not use the new and used batteries together.

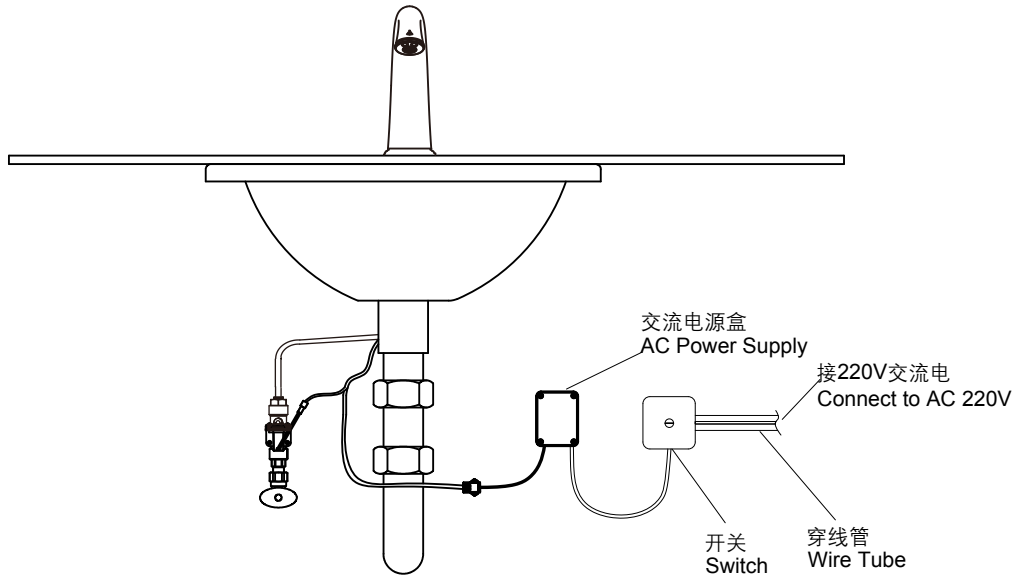
2. Determine the installation location of battery case per rough-in. Drill holes and place sheath in it. Secure the battery case with self-tapping screws and connect each colored connector to the corresponding connector of the same color.

NOTE: Connectors shall face up.

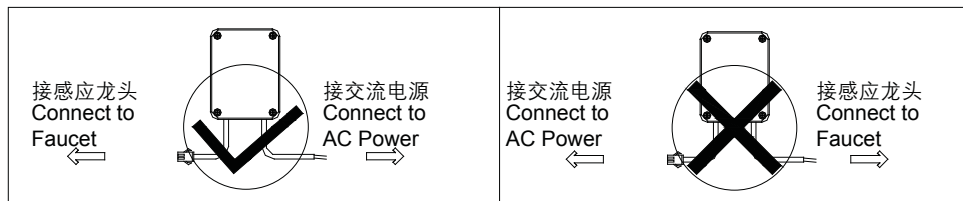
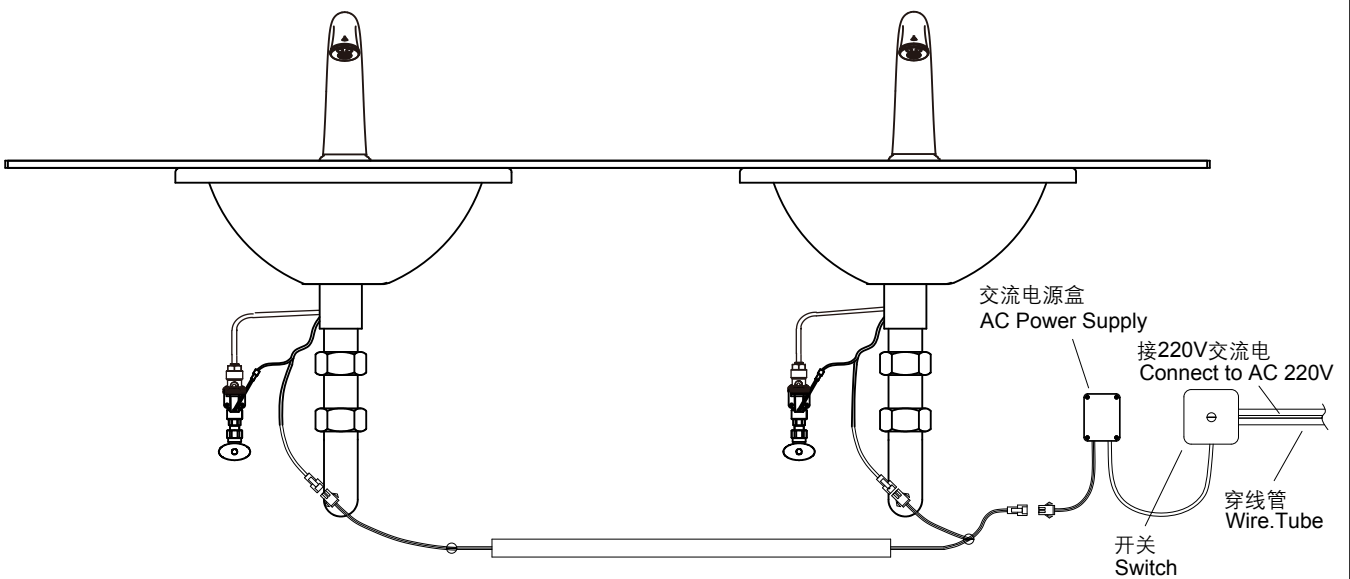
安装交流电源盒
(仅限于交流感应龙头)

INSTALL AC POWER SUPPLY
(For AC-powered touchless faucets only)

一个交流电源盒供一个感应龙头
Wire connection illustration for one to one



一个交流电源盒供两个感应龙头
Wire connection illustration for one to two



注意：禁止将交流AC220V接入直流DC接线端。
NOTE: Do not connect 220V AC power to a DC connector.

1.电源盒(背面有不干胶)应安装在干燥, 不会被水淋湿、浸泡的位置。根据需要客户自备穿线管及连接线。穿线管安装在墙内。建议交流电源线采用带绝缘和护套层的电线, 导体标称截面积 $\geq 0.5\text{mm}^2$ 直流连接线采用导体标称截面积 $\geq 0.3\text{mm}^2$ 的电线。请严格按照上图进行连接。

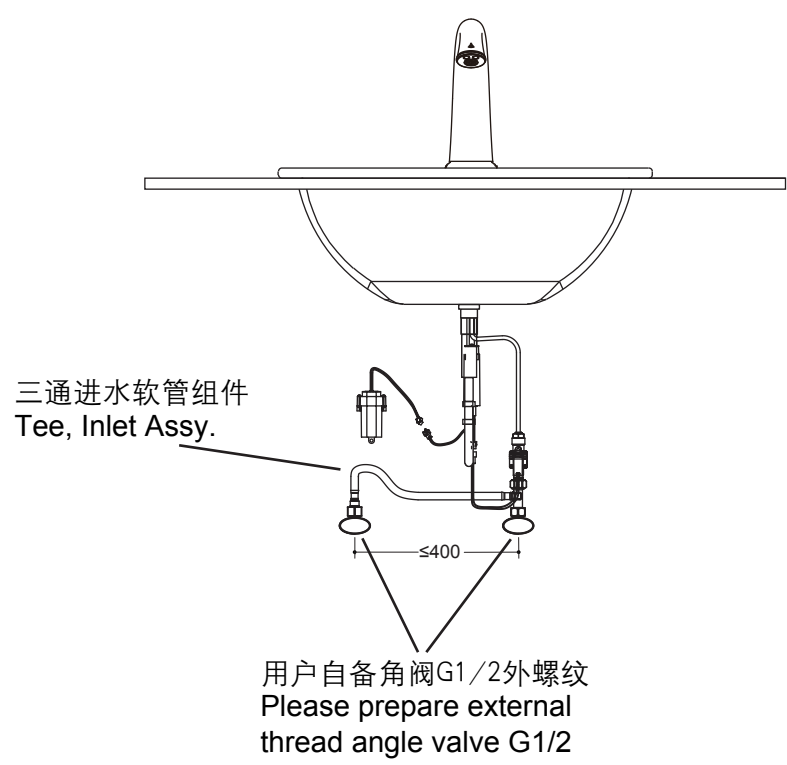
2. 排线完毕后, 应检查并确保所有排、接线无误, 再分别连接电源盒AC接线端与排线管内交流接线端, 以及电源盒DC接线端(黑橙线接头)与龙头的电源线接插件(从阀盒内引出的电线), 最后打开AC电源, 龙头进入2分钟自动调距阶段, 此过程龙头不会出水。

1.AC power unit (sticker on the back) should be installed in a dry place away from water. Customer should prepare wires tube and wire according to their requirement. Wire tube should be mounted into the wall. Suggested wire: AC connection wire adopts wire with protecting layer or sleeve and the section should be $\geq 0.5\text{mm}^2$. The section of DC connection wire should be $\geq 0.3\text{mm}^2$. The connection pattern must follow the illustrations above.

2.After wire layout finished,check and repair if needed. Then connect AC connector to AC connector within FPC pipe, DC connect or (black-orange) on electrical box to faucet power cord connector (wire from valve box). Finally turn on AC power source.Faucet will commence auto-sense mode which will take 2minutes. The faucet will not work during this period.

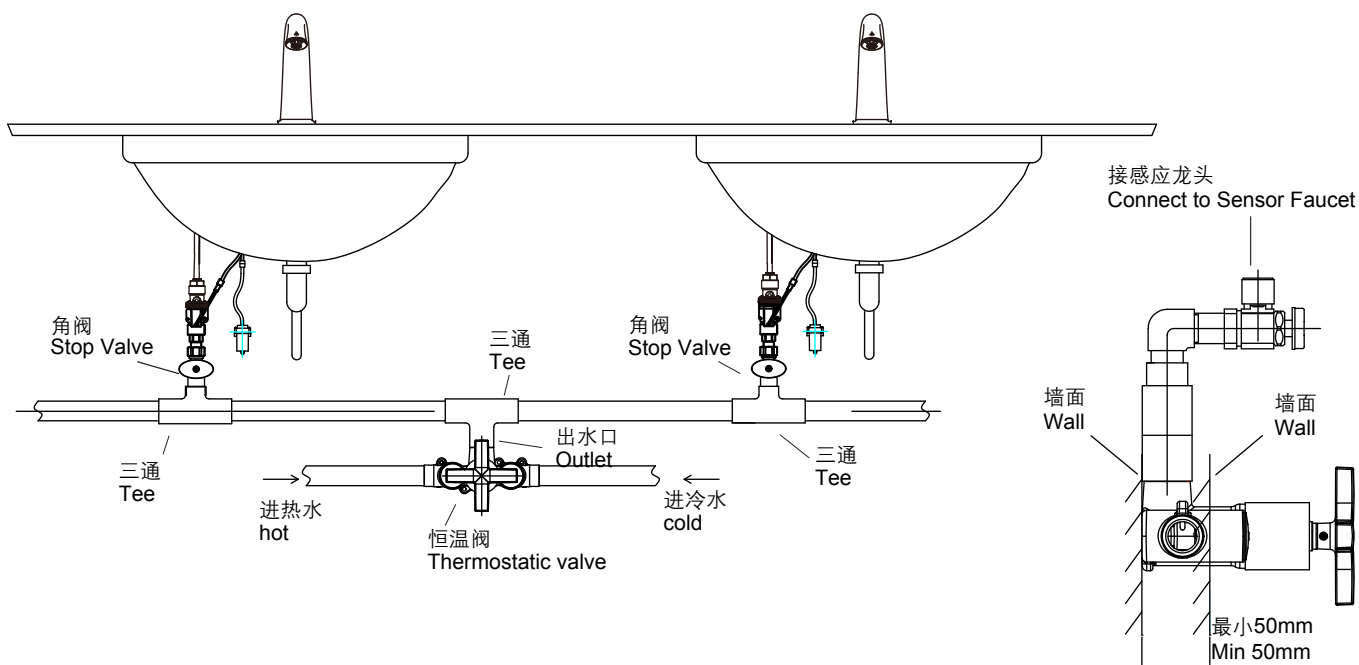
如何转换成混水感应龙头
(若用户另购三通进水软管
组件1284583-SP)

HOW TO CHANGE TO A MIXING SENSOR FAUCET (If customer purchases tee inlet assy 1284583-SP)



如何转换成恒温阀感应龙头
(若用户另购恒温阀16294T-3-CP,
具体安装详见其说明书)

**CHANGE TO THERMOSTATIC
SENSOR FAUCET** (If user chooses to
order Thermostatic Valve K-16294T-3-
CP, refer to its installation instructions
for details.)



注意：软管、三通、角阀请用户自备。

NOTE: User shall prepare hoses, tees and stop valves by him/herself.

安装结果检查

检查并确保所有衔接处都已拧紧，打开排水系统和主要供水源，检查并修理有漏水的接口。

INSTALLATION CHECKLIST

Check and ensure that all connections are tight. Open the drain. Turn on main water supply and check for leaks. Repair leakage when necessary.

清理说明

适用于所有加工处理过的表面，以中性肥皂水清洗镀层表面，再以干净的软布彻底擦干整个表面。许多清洁剂，比如氨水，去污粉及洁厕灵等，会对电镀表面造成伤害，切忌使用。
有腐蚀性的清洁剂或溶剂不可使用于科勒的水龙头及其配件上。

CLEANING INSTRUCTIONS

Applicable for all finishes: clean the finish with a mild soap. Wipe entire surface completely dry with a clean soft cloth. Most cleaners may contain chemicals, such as ammonia, chlorine, toilet cleaner etc. which could adversely affect the finish and are not recommended for cleaning. Do not use abrasive cleaners or solvents on Kohler faucets and fittings.

用户须知

1. 感应指示灯的各种闪烁情况

感应指示灯是使用者了解感应龙头有效、唯一的途径。所以明白了感应指示灯闪烁所代表的含义，可以正确使用感应龙头，

IMPORTANT CONSUMER INFORMATION

1. Light indicator Key

The indicator is the only and effective way to learn the faucets working conditions. So the users can use the sensor faucet correctly with knowing the meaning of the sensor indicator's flashing.

用户须知 (续)

IMPORTANT CONSUMER INFORMATION (Continued)

如图示:

(1) 快速闪烁, 代表感应龙头正处于通电后的两分钟自动调节阶段。期间, 安装者、使用者不得干扰其自动调节, 感应范围内不要放置物体。

(2) 间隔6秒钟闪烁一次(直流版本), 表示电池即将使用完, 请更换电池。

(3) 间隔2秒钟闪烁一次: 若直流感应龙头, 代表龙头电池耗尽, 已停止工作, 等待使用者更换电池; 若交流感应龙头, 表示为两种情况: 一种为刚刚停电; 另一种为在交流供电正常的情况下, 则电源盒直流接线端接触不良。

(4) 在正常工作情况下, 当有物体被感应时, 龙头出水, 感应指示灯闪烁一次。(龙头关闭, 感应指示灯不闪烁)

As shown:

(1) Quick flashing means the faucet is in the period of adjusting sensing distance after power on for 2 minutes. During these 2 minutes, please do not disturb auto adjustment or place objects within the sensing range.

(2) The indicator flashes every 6 seconds (DC type) indicates that the unit is out of battery and has stopped working. Recharge batteries.

(3) The indicator flashes every 2s: as for DC type faucets, this indicates the unit is out of battery and ceases working. Please replace batteries. For AC faucets, it indicates two possibilities: one is that the unit is out of battery; or poor DC terminal contact under normal AC power supply.

(4) Under normal condition, the water will flow and the indicator will flash once when objects are detected. (The indicator does not flash when faucet stops flowing.)

指示灯
Indicator Light



2. 超时出水控制

连续在感应状态下使用约一分钟, 龙头自动止水。自动止水后, 手或物体离开感应范围后, 再次进入感应范围内, 龙头正常工作, 否则无反应。

2. Timeout setting

When the faucet flows continuously for 1 minute, the faucet will automatically stop. Objects must be removed from the sensing range. Then the water will flow when objects re-enter into the sensing range again. Otherwise, the faucet will not work.

3. 清洗过滤系统

该感应龙头的阀体组件内已包含了优良的过滤装置。如管内杂质过多或水质较差, 长期使用会引起出水情况不良。请按以下步骤清洗过滤装置:

3. Clean the Filtration System

The faucet includes connector assembly with high quality filtration system. Excessive debris and water of bad quality can cause block in the pipe, thus reducing water flow. Please clean the filtration system as following:

1. 关闭角阀。

2. 将主阀体组件取下, 拿出滤网(19)(20), 用水冲洗完毕后, 重新装入。

注意: 在清洗完滤网后, 不要遗失平垫。

4. 自动清洗存水功能

感应龙头长期处于不使用状态时, 每间隔24小时自动冲水一段时间排出龙头内的存水。

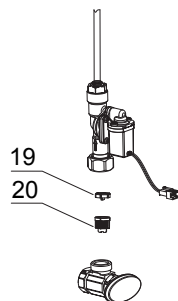
1. Close the stop valve.

2. Remove the valve assembly and take out the filter(19)(20) for cleaning, then re-install it.

NOTE: Ensure that the filter washer is installed after the filter is cleaned.

4. Self-Cleaning the stagnant water

When the faucet is no used for a long period of time, it will automatically flush to discharge the stagnant water inside the faucet every 24hrs.



常见故障排除

以下部分故障现象可通过指示灯闪烁情况识别。（参考“感应指示灯的各种闪烁情况”）

现象	原因	处理方法
不出水 (感应指示灯不闪烁)	无电池或电池装反(直流电源盒) 无电源或接线有误(交流电源盒) 感应范围内有其它物体 感应窗口较脏 接线端未插好、插错 光纤被弯折或折断	检查电池 检查总电源和接线情况 移开物体 清洁窗口 检查接线端 检查光纤是否完好
感应指示灯每2秒快速 闪烁1次而不出水	电池耗尽(直流电源盒) 刚刚停电(交流电源盒) 直流或交流接线端接触不良(交流电 源盒)	更换电池 检查总电源 重新连接接插件
感应指示灯闪烁不出 水	刚装机完毕 角阀关闭 过滤装置堵塞 起泡器堵塞	等待2分钟 打开角阀 清洗过滤装置 清洗起泡器
感应指示灯闪烁出水 量小	角阀是否彻底打开 起泡器堵塞 过滤装置堵塞 水压太低	打开角阀 清洗起泡器 清洗过滤装置 检查供水系统
约1分钟以内不止水 (感应指示灯不闪烁)	感应范围内有物体	移开物体

如按以上操作仍未解除故障，请与销售商或科勒(中国)投资有限公司联系。

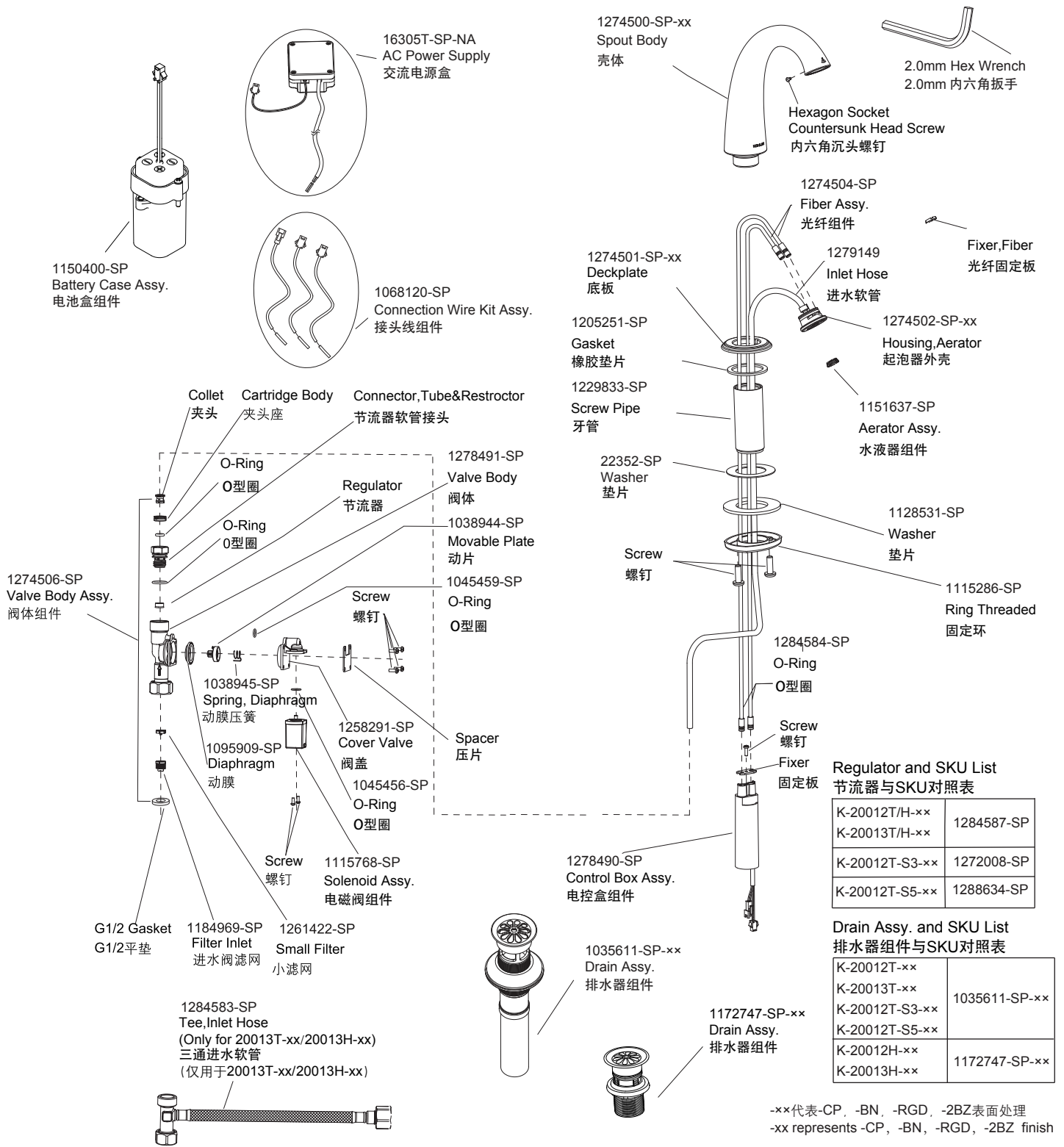
除安装更换电池外，请勿随意拆卸龙头其它部件。

TROUBLE SHOOTING

Some trouble symptoms can be identified by the indicator's flashing. (Refer to "Light Indicator Key")

Symptoms	Probable Causes	Corrective Action
No water flow (Indicator not flashing)	No battery or battery installed in reverse (DC Power Unit). No power supply or wrong connection. Object in sensing range. Dirt on the sensing window The connector does not connect well. Bending or broken optical fibers	Check the batteries Check the power supply and the connection Remove the object Clean the sensing window Check the connector Inspect if the optical fibers is in good condition
The indicator flashes once every 2 seconds with no water flow.	Batteries are out of power Powercut DC or AC connector may not connect well	Replace batteries Check the power supply Reconnect the connector of AC/DC transformer
No water flow while the indicator flashes	Just finishing installation The stop valve is closed The filter is blocked The Aerator is blocked	Wait for 2 minutes Open the angle valve Clean filter Clean aerator
Low water flow while the indicator does not flash	The stop valve is not open completely The Aerator is blocked The filter is blocked The supply water pressure is low	Open the angle valve Clean aerator Clean filter Check the water supply system
Water runs for longer than 1 minute without switching off.	Object in sensing range	Remove object

Please contact with distributor or Kohler China Investment Co., Ltd., if the trouble remains after above-mentioned actions are taken. Please do not disassemble the other parts of the faucet freely except installing and replacing batteries.



订购时请说明颜色代码(-x)或表面处理(-xx)
Color code (-x) or finish (-xx) must be specified when ordering.

产品中有害物质含量的说明

回收提示

本产品超过使用期限或经过维修无法正常使用后，不应随意丢弃，请交由有废弃电器电子产品处理资质的企业处理，正确的处理方法请查阅国家或当地有关废旧电器电子产品处理的规定。

有害物质统计表

部件名称	有害物质名称					
	铅(Pb)	汞(Hg)	镉(Cd)	六价铬(Cr(VI))	多溴联苯(PBB)	多溴二苯醚(PBDE)
外壳组件	×	○	○	○	○	○
阀体组件	×	○	○	○	○	○
控制盒组件	×	○	○	○	○	○
*电池盒组件	○	○	○	○	○	○
*电池	○	○	○	○	○	○
*交流电源盒	○	○	○	○	○	○
*进水组件	×	○	○	○	○	○
附件类	○	○	○	○	○	○

○：表示该有害物质在该部件所有均质材料中的含量均在GB/T 26572现行有效版本规定的限量要求以下。

×：表示有害物质至少在该部件的某一均质材料中的含量超出GB/T 26572现行有效版本规定的限量要求。

*：表示部分机型含有该部件。

注：本表格提供的信息是基于供应商提供的数据及科勒公司的检测结果。本产品应用环保设计理念，在当前技术水平下，所有有害物质或元素的使用已经控制到了最低程度，科勒公司会继续努力通过改善现有技术来减少这些物质的使用。



本产品的“环保使用期限”为10年，科勒公司根据产品设计特性指定该期限。只有在本产品使用说明书所述的正常情况下使用本产品时，“环保使用期限”才有效。

Description of Content of Hazardous Substances in Product

Reclaim Indication

When the product exceeds service life or is unable to use after repair, do not throw the product away in the normal trash. Please dispose the waste electronic parts through a qualified reclamation enterprise. Make sure the product is handled properly. Disposing of product must be done in accordance with the local or national government law.

Statistics of Contents of Toxic or Hazardous Substances or Elements

Part name	Toxic or Hazardous Substance or Elements					
	Lead (Pb)	Mercury (Hg)	Cadmium (Cd)	Hexavalent Chromium (Cr(VI))	Polybrominated biphenyls (PBB)	Polybrominated Diphenyl Ethers (PBDE)
Cover Assy.	×	○	○	○	○	○
Valve Assy.	×	○	○	○	○	○
Control Box Assy.	×	○	○	○	○	○
*Battery Box Assy.	○	○	○	○	○	○
*Battery	○	○	○	○	○	○
* AC Power Box	○	○	○	○	○	○
* Water Inlet Assy.	×	○	○	○	○	○
Accessories	○	○	○	○	○	○

- : Indicates that the substance in the material composition is below the high limits of the current requirements in GB/T26572.
- × : Indicates that at least one of the homogeneous substance in the material composition is below the high limits of the current requirements in GB/T 26572.
- * : Indicate only partial product series contains this substance.

Note: the information provided is based on the supplier data and Kohler inspection results. The product is designed not to hurt the environment. Under current technology, all hazardous materials have been used in the smallest amounts possible. Kohler will strive to reduce the use of these hazardous materials used in this product.



The product "service life for environment protection" is 10 years; Kohler Company will specify product service life based on product characteristics. The product "service life for environment protection" is only effective when the product is used as described in the product specification.

