

Installation Instructions

Locker with Wall Panels and Seams

Record your model number:
Noter le numéro de modèle:
Anoté su número de modelo: _____

Français, page 25
Español, página 49

KOHLER®

Thank You for Choosing KOHLER

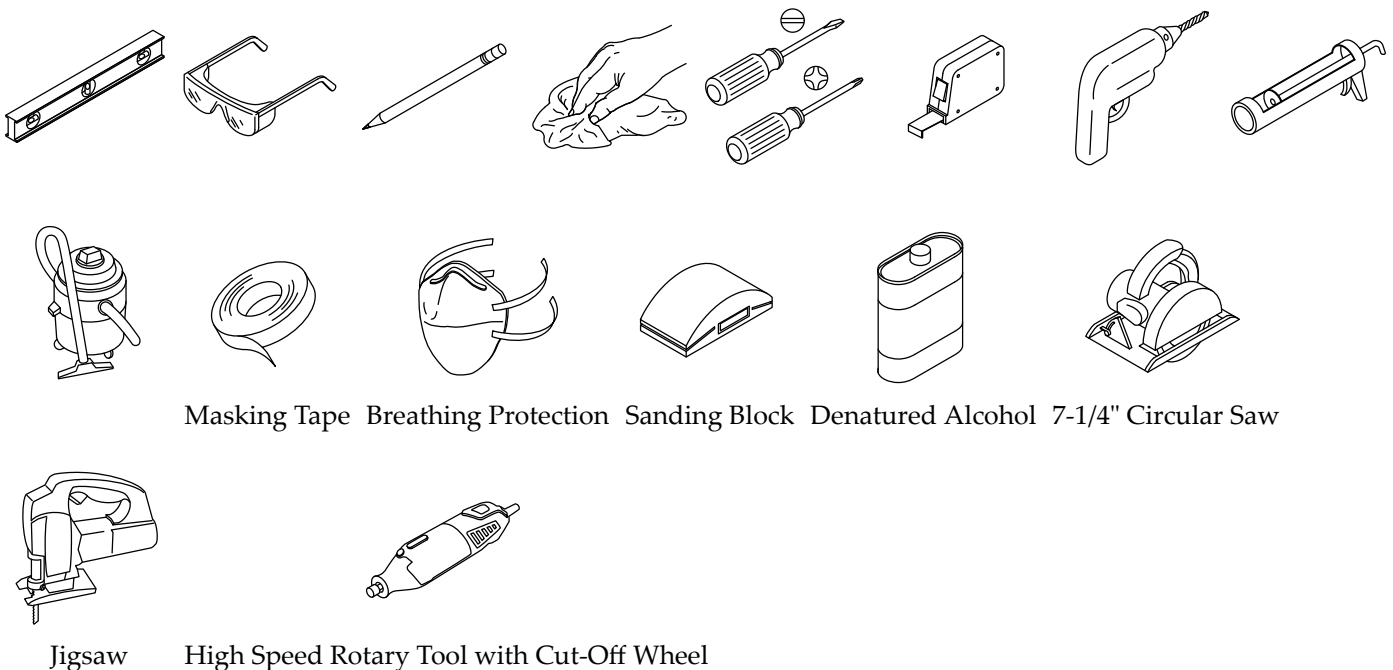
Need help? Contact our Customer Care Center.

- USA/Canada: 1-800-4KOHLER (1-800-456-4537) Mexico: 001-800-456-4537
- Service parts: kohler.com/serviceparts
- Care and cleaning: kohler.com/clean
- Patents: kohlercompany.com/patents

Warranty

This product is covered under the **KOHLER® Choreograph® Walls and Accessories Ten-Year Limited Warranty**, found at kohler.com/warranty. For a hardcopy of warranty terms, contact the Customer Care Center.


Tools and Materials



Plus:

- Standard Woodworking Tools
- Spring Loaded Braces or Lumber (to create bracing)
- 1-2 Tubes Color Matched 100% Silicone Sealant
- 8+ Tubes Light-colored Silicone Sealant (for installation over tile)
- Sawhorses
- Drop Cloth
- 120 Grit Sandpaper

Before You Begin

 **WARNING: Risk of serious injury.** When cutting and drilling, wear safety glasses and use breathing protection.

 **CAUTION: Risk of personal injury.** For ceiling panel installations, install the ceiling panel and allow the adhesive to cure before installing the wall panels. The ceiling could fall during wall panel installation if curing time is not sufficient.

 **CAUTION: Risk of product damage.** The wall panels should be room temperature before cutting. Allow the temperature to stabilize if the walls were in a cold environment.

IMPORTANT! Dust will be generated when cutting the wall panels and locker unit. Cut the walls and locker outside or in a well ventilated area.

IMPORTANT! For best results, cut the walls according to the instructions included with the wall panels.

IMPORTANT! Leave this manual for the end user.

Read these instructions before installing or using this product.

The locker unit must only be trimmed in height. Do not cut down the sides.

Verify that the existing rough walls are within 3/8" (10 mm) of plumb.

The locker unit must be braced using 2x4's around the entire unit.

Use color matched silicone sealant in the seams and joints.

Cover the shower base with a drop cloth or other protective material to avoid damage.

Follow the adhesive and silicone sealant instructions for application and curing time.

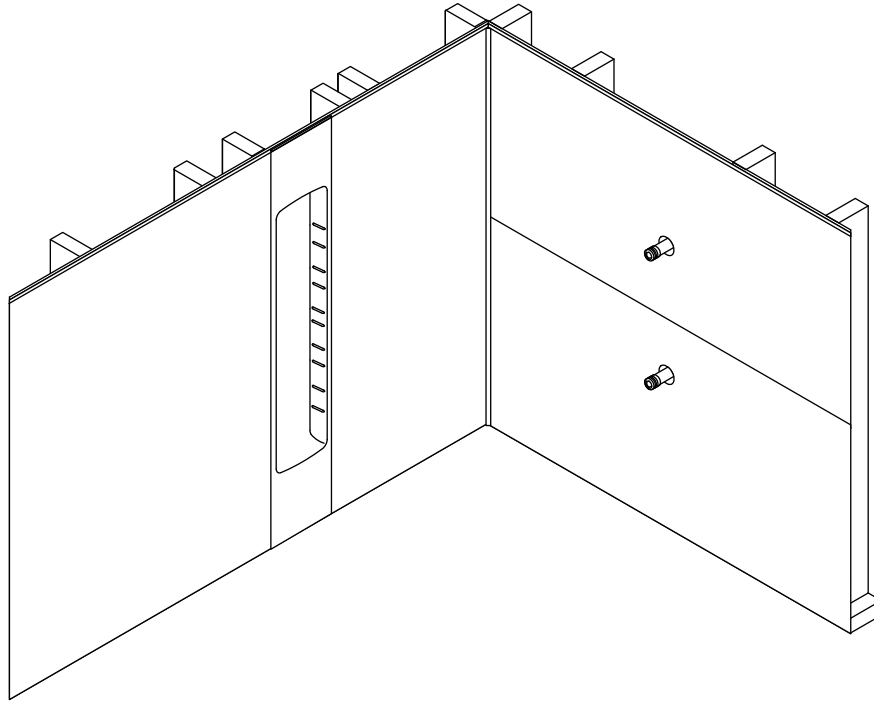
Inspect all components for damage after unpacking, prior to installation.

A router may be used to cut the walls and locker. The router bit will dull quickly.

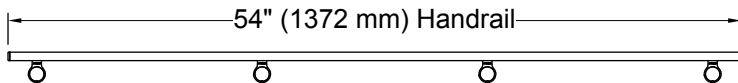
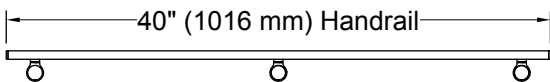
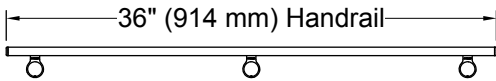
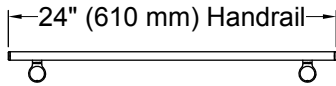
If the wall panels are being installed over existing tile, scuff the tile using 100 grit sandpaper for better adhesive contact.

If installing accessories, install 2x4 backing for handrails, shelves, and hooks and 2x10 backing for the flip-down seat.

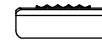
Plan the Installation



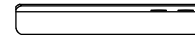
Accessories



Shelf



Shelf



Shelf



Flip Down Seat



○ Hook

NOTE: Determine which accessories will be installed and where before installing wallboard backing material, as accessories may require wood bracing.

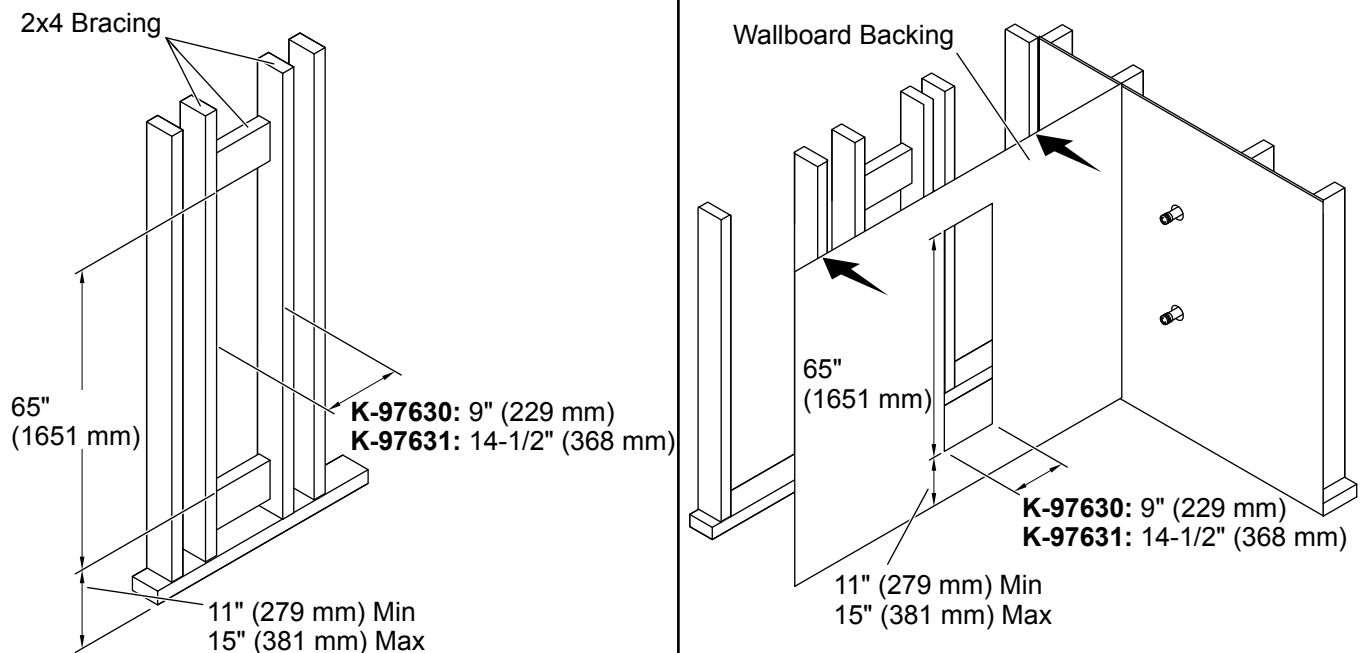
Install any required bracing.

2x4 bracing is required for the hook unless the hook is installed into the studding.

2x4 bracing is required for all handrails and shelves.

2x10 backing is required for the flip-down seat.

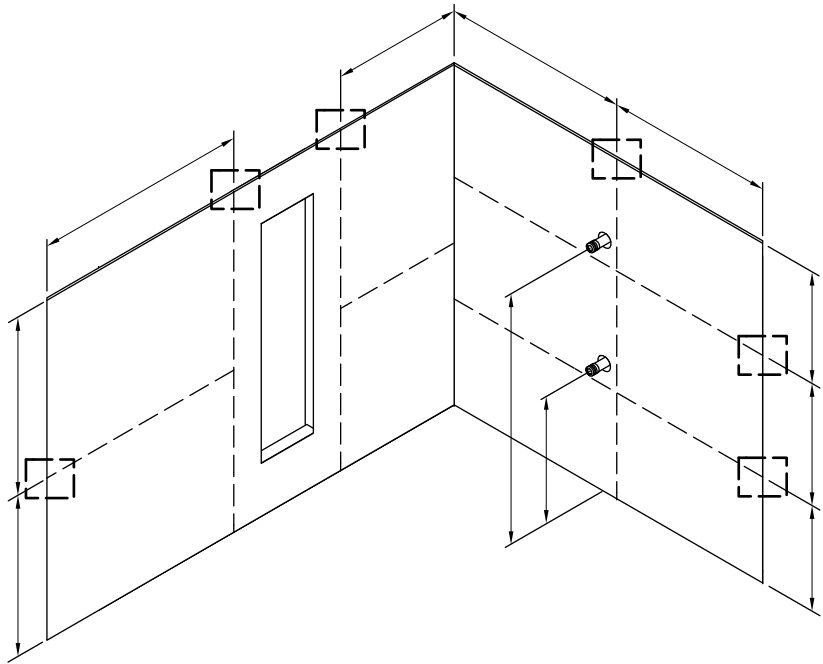
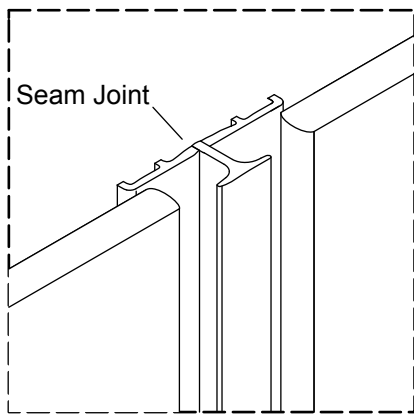
1. Prepare the Site



IMPORTANT! Waterproof wallboard backing material is recommended.

- Install the rough plumbing for the bath and shower components.
- Check the studs for plumb. Studs should be within 3/8" (10 mm) of plumb. Shim if necessary.
- Determine the height of the enclosure and the locker unit.
- Install 2x4 bracing where the locker unit will be placed following the dimensions shown above.
- Install backing support for all accessories that require additional support. Refer to the installation guides packed with each product for specific installation needs.
- Install wallboard backing material over the locker unit opening with the same dimensions as the 2x4 bracing cutout.

2. Measure Components



- Determine if there will be vertical or horizontal seams beyond the corner locations. Order optional seam joints as needed.
- Determine if edge trim will be installed. Order optional edge trim as needed.
- Measure the installation area to determine the cut dimensions for the panel(s).

Back Wall Measurement

- Subtract 1/16" (2 mm) from the width of each back wall panel for the locker unit seam joints.
- Subtract 1/16" (2 mm) from the wall panel's height or width for each additional seam joint.
- Subtract half the total width of the locker unit from the width of each back wall panel.
- If corner joints will be installed, subtract 1/16" (2 mm) from the width of the back panels for each corner joint.
- Mark the cut-lines on the back side of the back panel.

Side Wall Measurement

- If corner joints will be installed, subtract 5/16" (8 mm) from the width of each side wall panel before cutting.
- Subtract 1/16" (2 mm) from each panel's height or width for each seam joint that will be installed.
- Record the location of the handle, showerhead, bath spout, and other components.
- Mark the cut-lines on the back side of the side wall panels.

3. Installation With Ceiling Panels (Optional)

 **CAUTION: Risk of personal injury.** For ceiling panel installations, install the ceiling panel and allow the adhesive to cure before installing the wall panels. The ceiling could fall during wall panel installation if curing time is not sufficient.

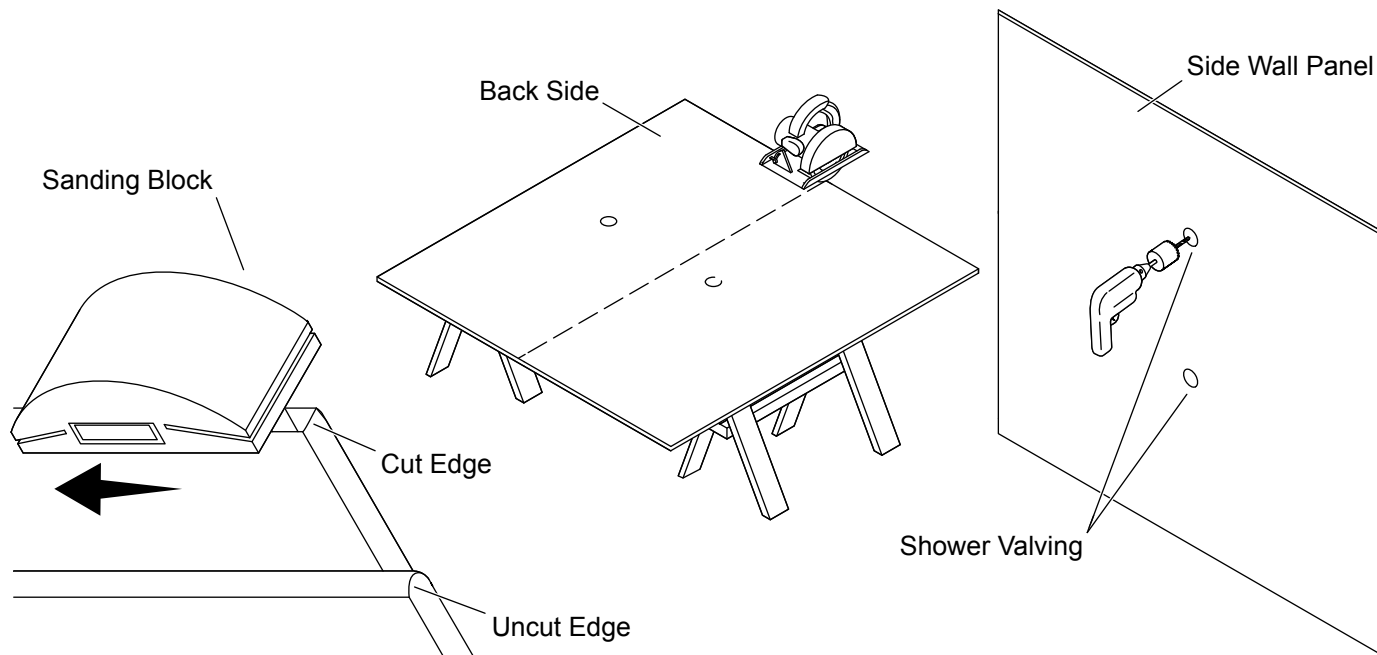
NOTE: Two people are required if installing a ceiling panel.

- If the ceiling will be covered with the panel material, measure and cut the ceiling panel to size.
- Construct bracing or use commercial bracing to hold the ceiling material in place while it cures.

NOTE: Polyurethane based adhesive is recommended for the ceiling panel.

- Apply adhesive specified in the wall panel instructions to the ceiling material as shown in "Install the First Wall Panel" section.
- With another person, carefully lift the ceiling panel into place.
- Brace the ceiling panel tight against the ceiling and allow the ceiling panel to cure following the adhesive instructions.

4. Trim the Locker and Walls



Cut Wall Placement

IMPORTANT! The cut edge of the panel **MUST** be positioned opposite the seam. The vertical edge of the seam **MUST** mate to an uncut, bevel molded edge on the panel.

NOTE: A seam joint can be used between panels but the trimmed edge location requirements remain unchanged.

Cutting the Walls and Locker

IMPORTANT! Follow the cutting instructions provided with the wall panels.

IMPORTANT! Do not cut the sides of the locker unit. Only trim the top or bottom to fit your wall length.

IMPORTANT! The locker unit must be placed with the shelf grooves angled upward. If the locker unit is placed upside down the shelves will fall out.

- Position the back wall panel face down on a stand or sawhorses that have a protective material on them.
- Cut the back wall panel to the required dimensions.
- Repeat for the side wall panels.

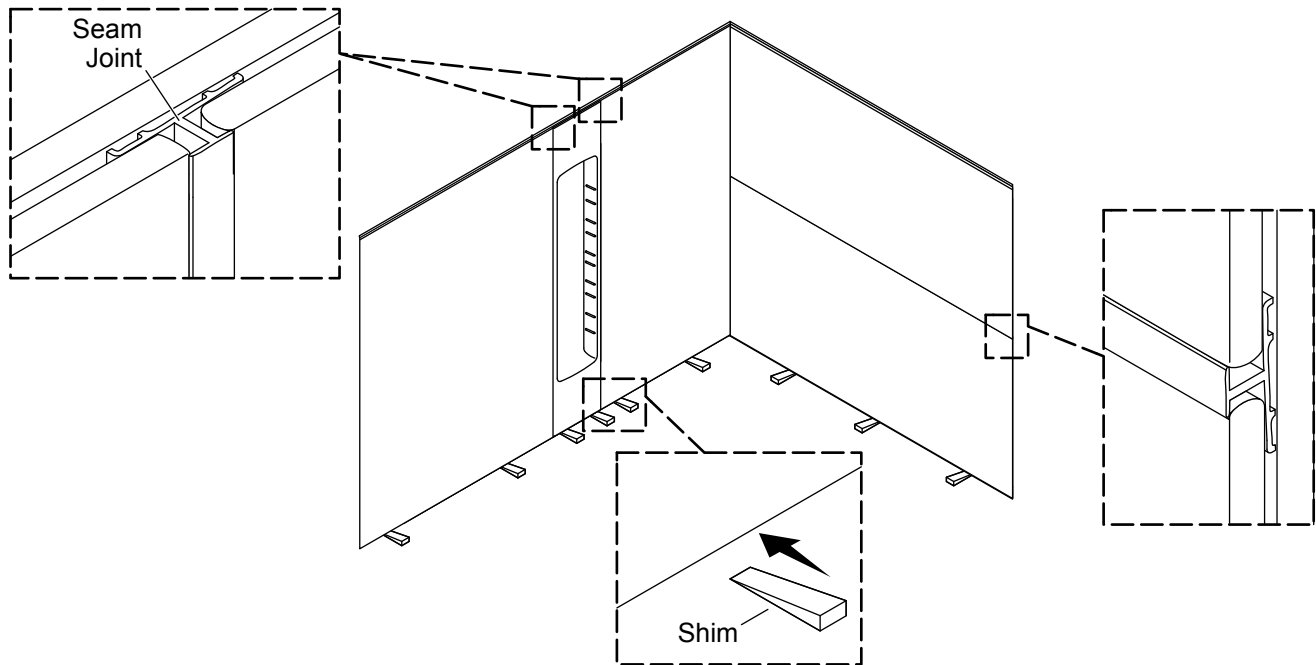
NOTE: Remove any protective films on the locker unit surface before cutting.

- Cut the locker unit to the required height dimensions using a fine toothed blade.
- From the front side of the panel, use a hole saw to cut the holes for valving and other shower components.

IMPORTANT! It is critical the wall panels and locker unit are clean for a strong bond to be created by the adhesive.

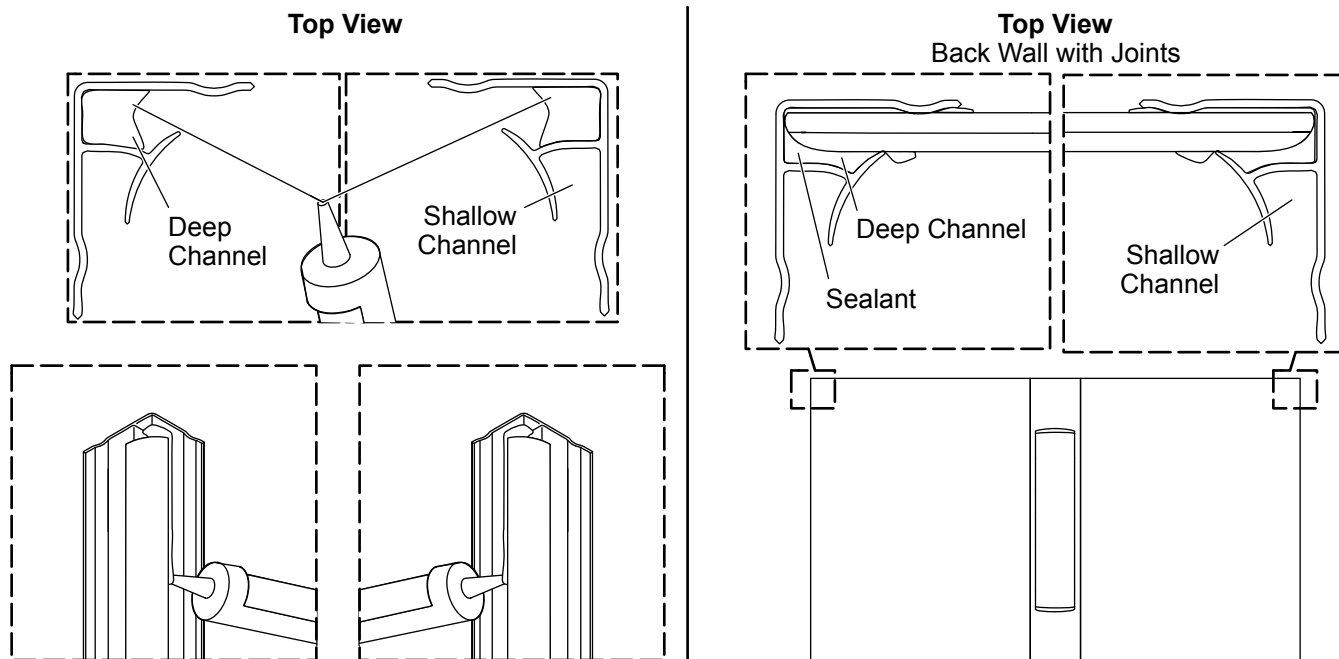
- On the edges of each panel, remove excess material and smooth any rough edges using a sanding block.
- Clean the back of the wall panels and locker unit with denatured alcohol.

5. Dry Fit the Locker and Walls



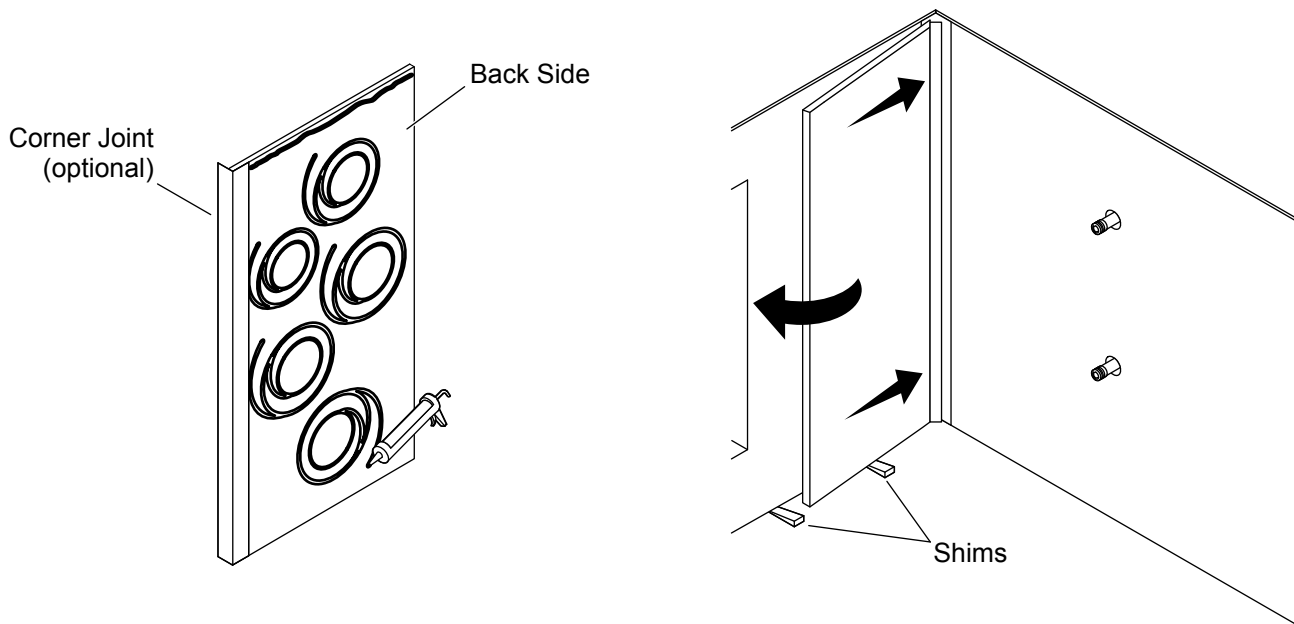
- Dry fit the corner joints to the back panels if they are being installed. See "Install the Corner Joints (Optional)" for correct orientation.
- Dry fit the locker unit, seam joints, back, and side wall panels with shims to confirm fit. Adjust as needed.
- Remove the panels and locker unit.
- Remove the seam joints and the corner joints.

6. Install the Corner Joints (Optional)



- Measure the height of the back wall panel.
- Cut the corner joint to the height of the back wall panel using a small rotary tool with a cutting wheel.
- Apply color matched 100% silicone sealant in the deep channel on the corner joint. Apply enough sealant to fill 1/2 of the channel.
- Install the deep channel of the corner joint onto the side of the back wall panel.
- Do Not** apply sealant or install the second corner joint until you are ready to install the second back wall panel.

7. Install the First Wall Panel



NOTE: Use silicone adhesive if the wall panels are being installed over tile. For all other applications, use the adhesive type specified in the instructions included with the shower walls.

- Apply adhesive to the back wall panel in a circular pattern. The beads of adhesive should be 5" (127 mm) to 7" (178 mm) apart.
- Apply a bead of adhesive along the top edge of the wall panel 3/4" (19 mm) from the edge.
- Move the wall panel into place at a slight angle with the corner joint, if installed, fully pressed into the corner.
- Push the panel against the rough wall. Press firmly and evenly across the entire wall. The panel should contact the rough wall completely.

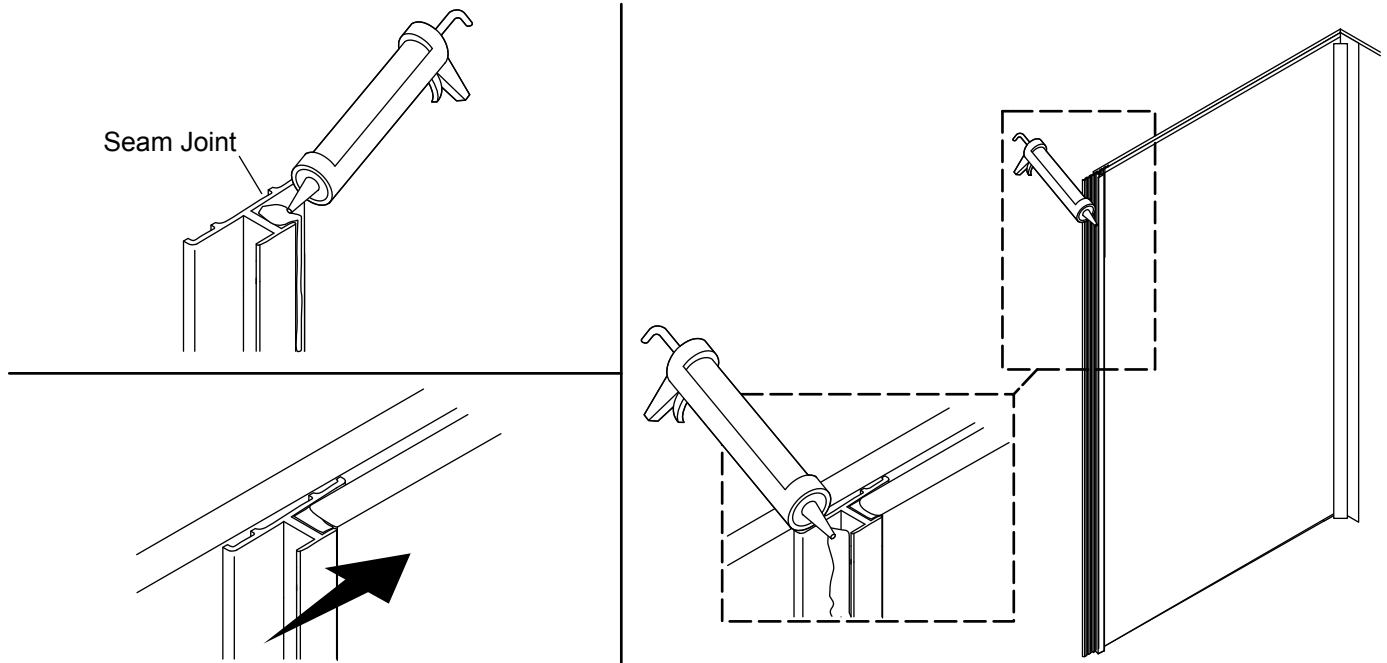
TIP: To remove excess adhesive, spray denatured alcohol on the area to be cleaned and onto your finger. The denatured alcohol will help make the removal of the adhesive easier.

- Remove excess adhesive with your finger.

NOTE: Bracing may be needed to hold the wall panel in place depending on the rough wall material and adhesive being used.

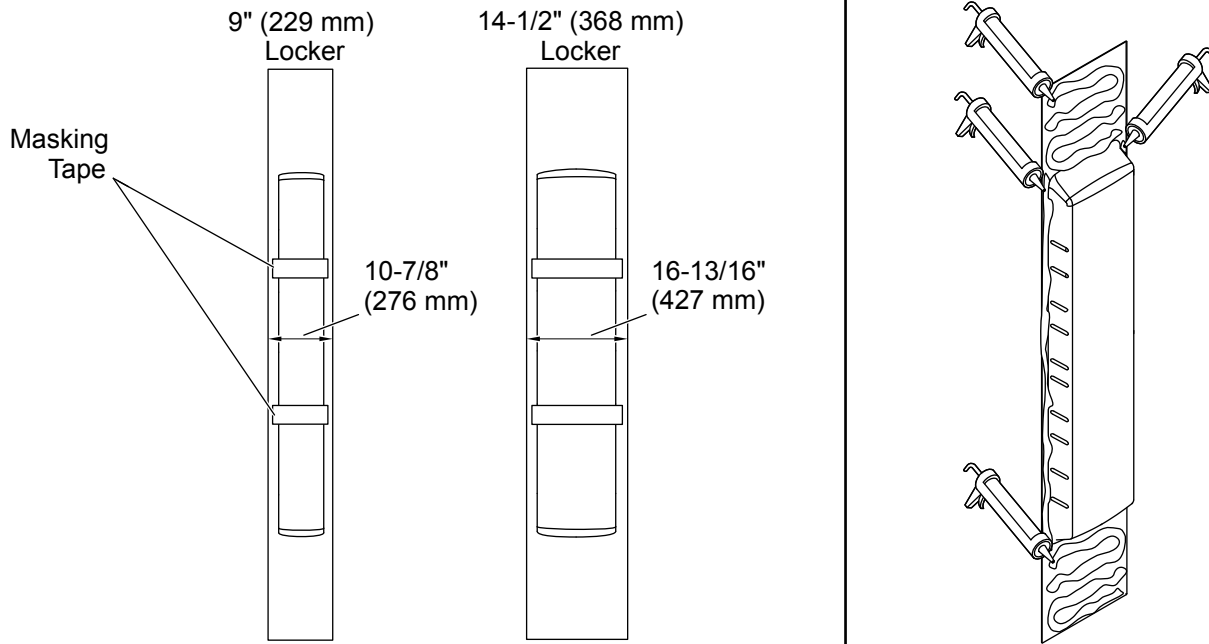
- When installed over tile, use a temporary brace to secure each wall panel in place for 48 hours to allow full adhesion.

8. Install the First Seam Joint



- Fill one channel on the wall side of the seam joint with color matched silicone sealant.
- Install the seam joint onto the installed back wall panel.
- Apply color matched silicone sealant to the second channel of the seam joint when you are ready to install the locker unit.

9. Prepare the Locker Unit

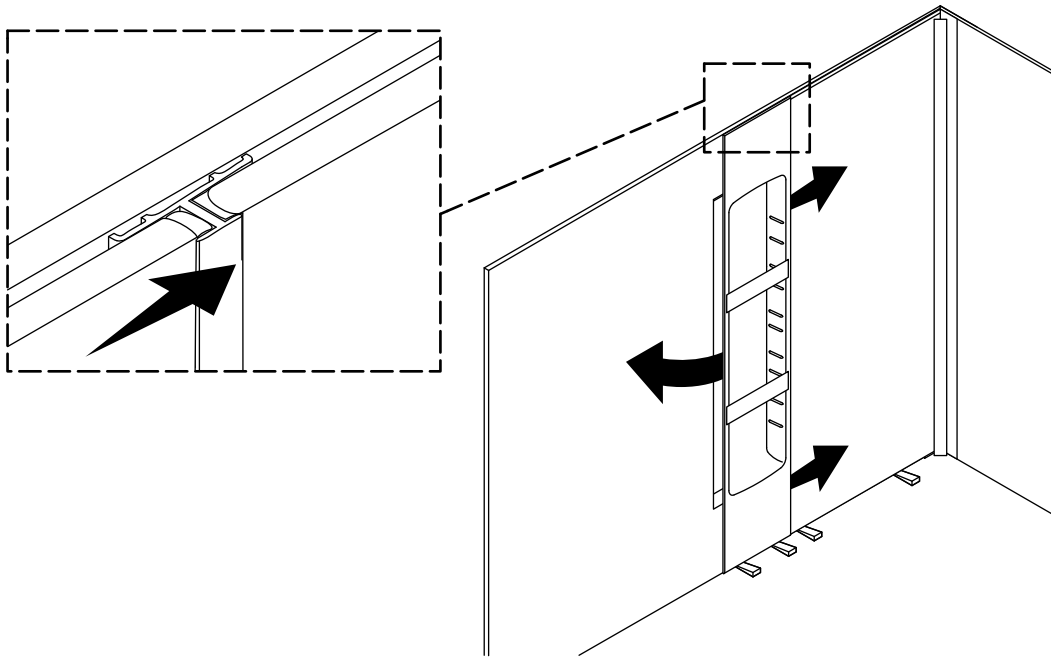


- Run two pieces of masking tape across the front of the locker unit, pulling the sides in until the center of the locker unit is at the dimensions shown above.
- Test the shelf fit in the set of grooves just above and below the taped areas of the locker unit. Verify that the shelf fits tight. If the fit of the shelf is loose, tighten the tape across the locker unit until a snug fit is achieved.
- Leave the tape in place until the final step of the installation.
- Clean the back of the locker unit with denatured alcohol and sand the back of the locker with 120 grit sandpaper to promote adhesion.

TIP: Urethane based adhesive may be more effective for locker unit adhesion.

- Generously apply bath and shower construction adhesive or silicone adhesive to the back of the locker unit on the top, bottom, and sides.

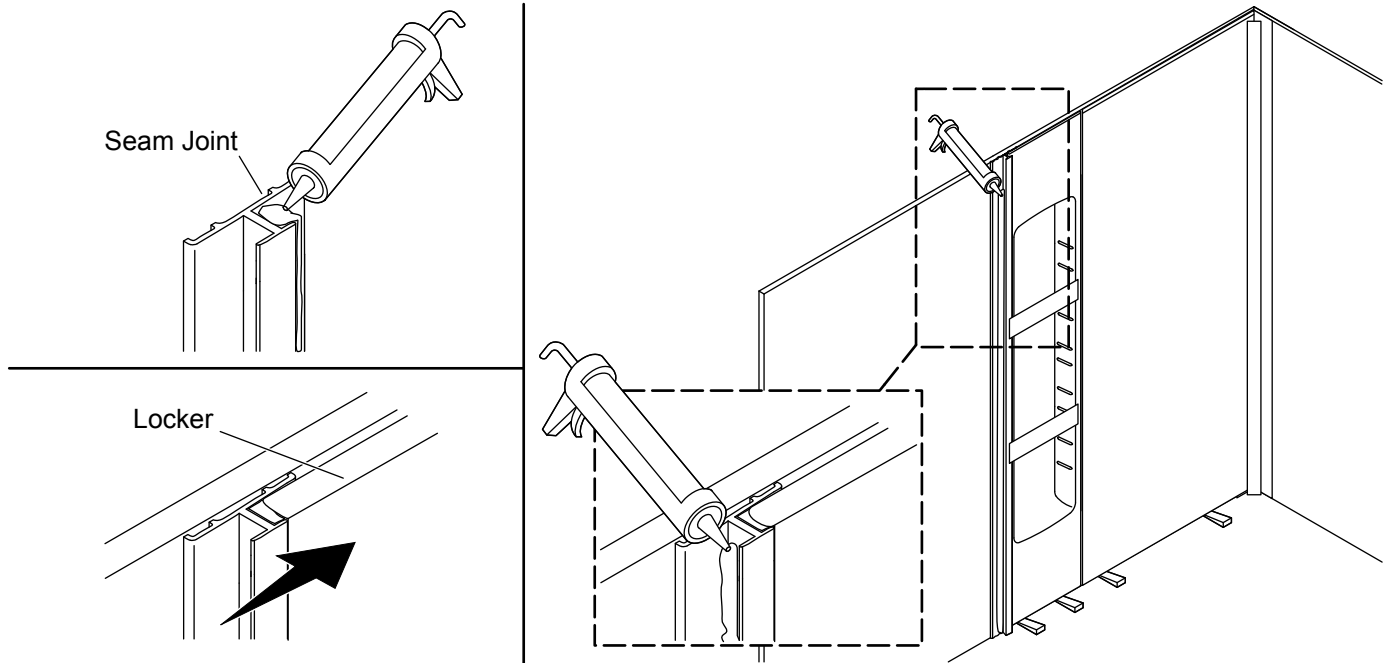
10. Install the Locker Unit



IMPORTANT! The locker unit must be placed with the shelf grooves angled upward. If the locker unit is placed upside down the shelves will fall out.

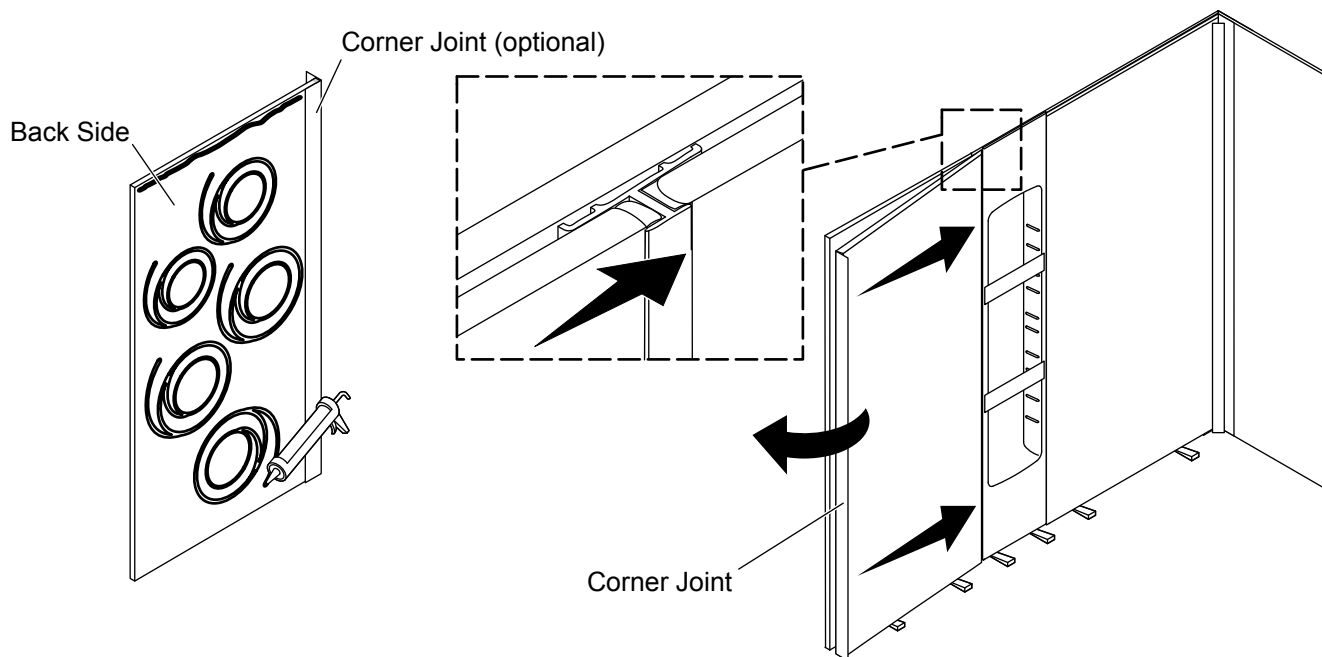
- Position the locker unit into place at a slight angle.
- Push the locker unit against the installed seam joint and into the rough wall. Press firmly and evenly across the entire locker unit.

11. Install the Second Seam Joint



- Fill one channel on the locker side of the seam joint with color matched silicone sealant.
- Install the seam joint onto the installed locker unit.
- Apply color matched silicone sealant to the second channel of the seam joint when you are ready to install the second back wall panel.

12. Install the Second Wall Panel



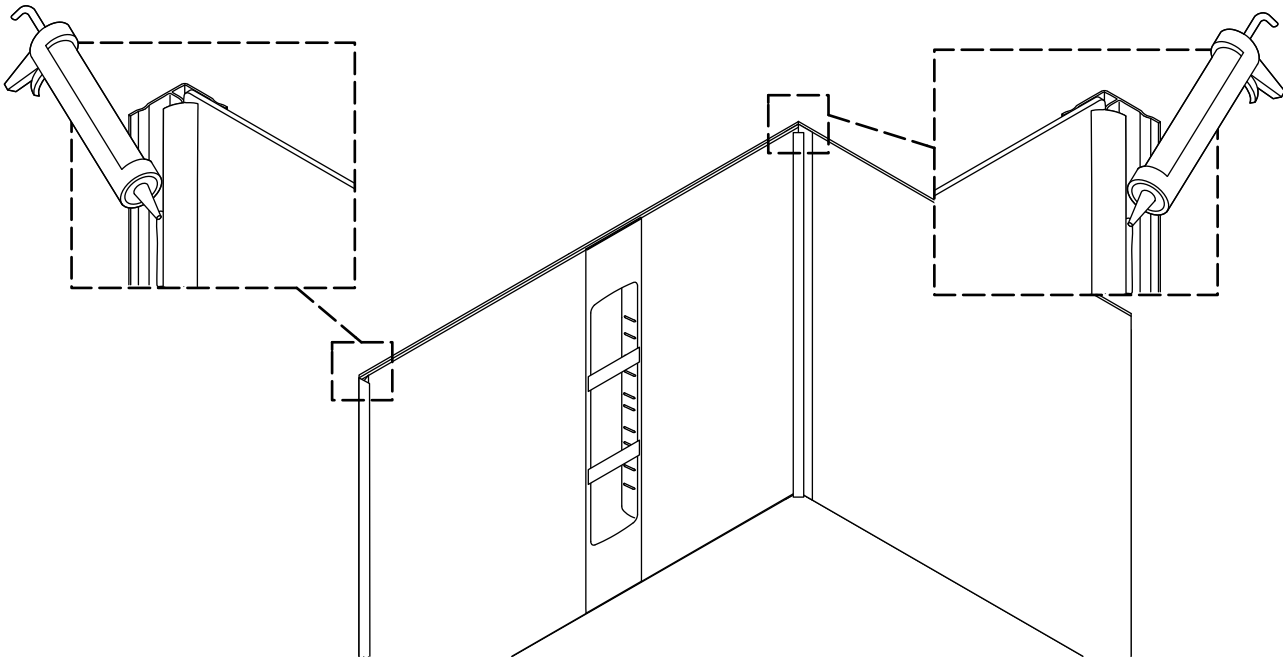
NOTE: Use silicone adhesive if the wall panels are being installed over tile. For all other applications, use the adhesive type specified in the instructions included with the shower walls.

- Apply adhesive to the back wall panel in a circular pattern. The beads of adhesive should be 5" (127 mm) to 7" (178 mm) apart.
- Apply a bead of adhesive along the top edge of the wall panel 3/4" (19 mm) from the edge.
- Move the wall panel into place at a slight angle with the corner joint, if installed, fully pressed into the corner.
- Push the wall panel against the rough wall. Press firmly and evenly across the entire wall panel. The wall panel should contact the rough wall along the entire area.
- Push the panel against the rough wall and into the installed seam joint. Press firmly and evenly across the entire wall. The panel should contact the rough wall along the entire area.
- Confirm the locker unit contacts the seam joints along the entire area.
- Remove excess adhesive with your finger.

NOTE: Bracing may be needed to hold the wall panel in place depending on the rough wall material and adhesive being used.

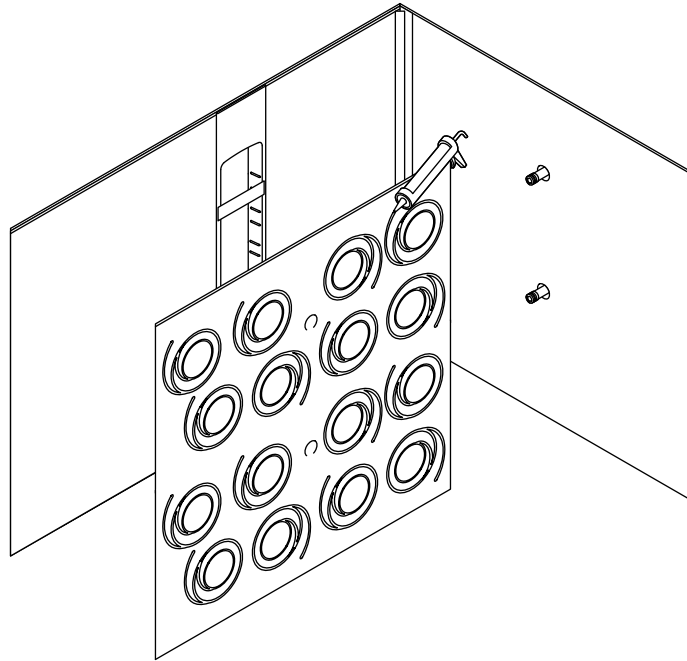
- When installed over tile, use a temporary brace to secure each wall panel in place for 48 hours to allow full adhesion.

13. Prepare the Corner Joints (Optional)



- Apply color matched sealant in the shallow channel groove on the corner joint. Apply enough sealant to fill 1/2 of the groove.
- Do Not** apply sealant to the second corner joint until you are ready to install the second side wall panel.

14. Install the Side Wall Panels without Joints



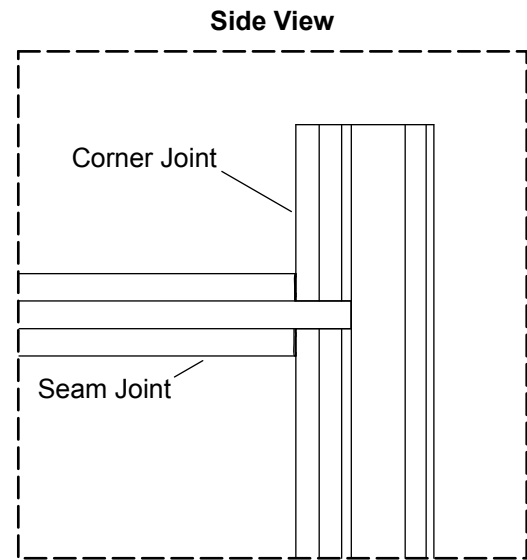
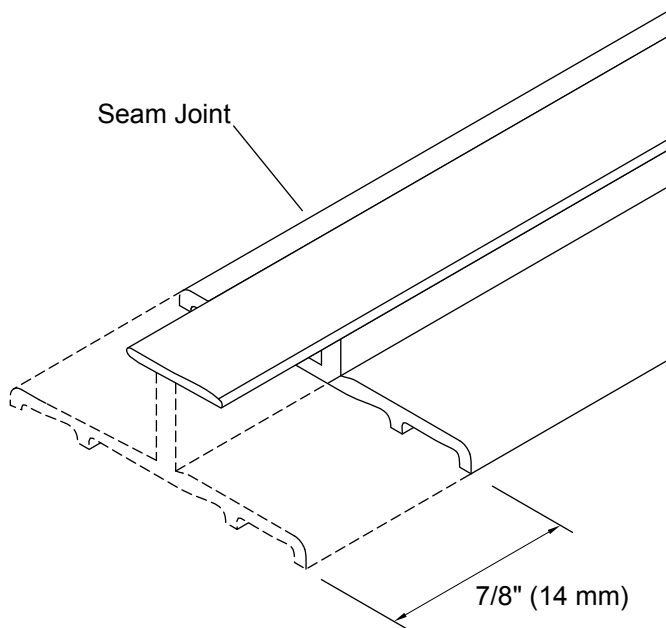
NOTE: Use silicone adhesive if the wall panels are being installed over tile. For all other applications, use the adhesive type specified in the instructions included with the shower walls.

- Apply adhesive to the side wall panel in a circular pattern. The beads of adhesive should be 5" (127 mm) to 7" (178 mm) apart.
- Apply a bead of adhesive along the edges of the wall panel 3/4" (19 mm) from the edge.
- Move the wall panel into place at a slight angle, pressing the wall panel into the corner joint, if installed.
- Push the wall panel against the rough wall. Press firmly and evenly across the entire wall panel. The wall panel should contact the rough wall along the entire area.
- Remove excess adhesive with your finger.

NOTE: Bracing may be needed to hold the wall panel in place depending on the rough wall material and adhesive being used.

- When installed over tile, use a temporary brace to secure each wall panel in place for 48 hours to allow full adhesion.
- Repeat these steps with the second side of the enclosure.

15. Prepare the Seam Joints



Installing with Corner Joints

- Determine the required length of the seam joint by measuring the width of the side wall panel, allowing enough length to extend 7/8" (14 mm) into the channel of the corner joint.

NOTE: To trim the seam joint, a small rotary tool with a cutting wheel is recommended.

- Cut the seam joint to the required length.
- Trim the end of seam joint where the seam joint will meet the corner joint as shown.

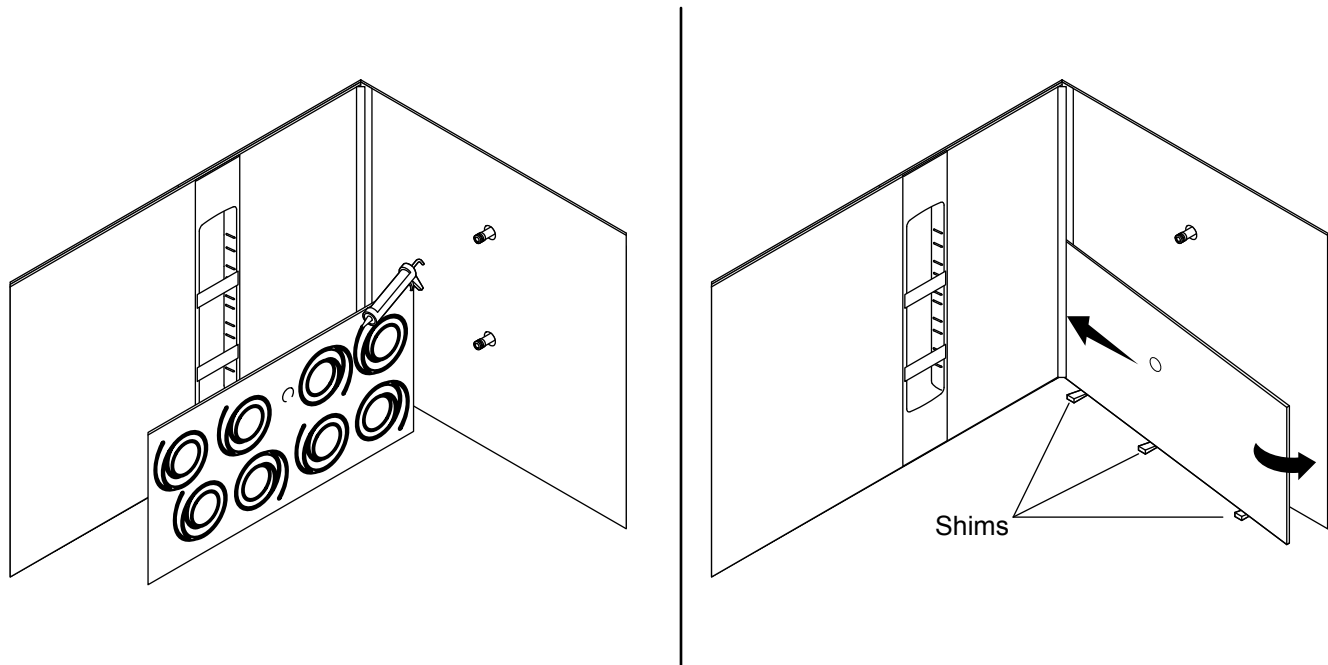
Installing without Corner Joints

- Determine the required length of the seam joint by measuring the width of the side wall panel.

NOTE: To trim the seam joint, a small rotary tool with a cutting wheel is recommended.

- Cut the seam joint to the required length.

16. Install the Side Wall Panels with Joints

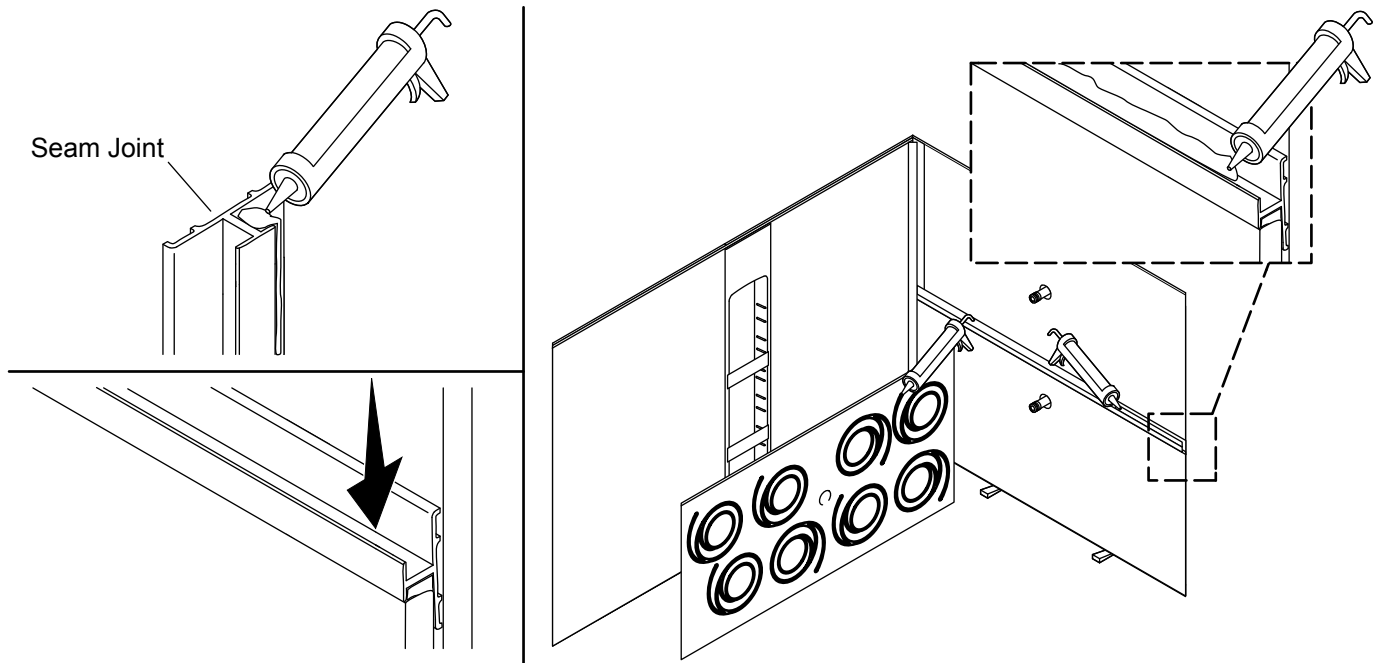


NOTE: Use silicone adhesive if the wall panels are being installed over tile. For all other applications, use the adhesive type specified in the instructions included with the shower walls.

NOTE: Bracing may be needed to hold the wall panel in place depending on the rough wall material and adhesive being used.

- Apply adhesive to the side wall panel in a circular pattern. The beads of adhesive should be 5" (127 mm) to 7" (178 mm) apart.
- Apply a bead of adhesive along the edges of the wall panel 3/4" (19 mm) from the edge.
- Move the wall panel into place at a slight angle, pressing the wall panel into the corner joint, if installed.
- Push the wall panel against the rough wall. Press firmly and evenly across the entire wall panel. The wall panel should contact the rough wall along the entire area.

17. Install the Second Side Wall Panel



Install the Seam Joint

- Fill one channel of the seam joint with color matched silicone sealant.
- Install the seam joint into the installed side wall panel. If corner joints were installed, press the seam joint into the corner joint.
- Apply color matched silicone sealant to the second channel of the seam joint.

Install the Second Side Wall Panel

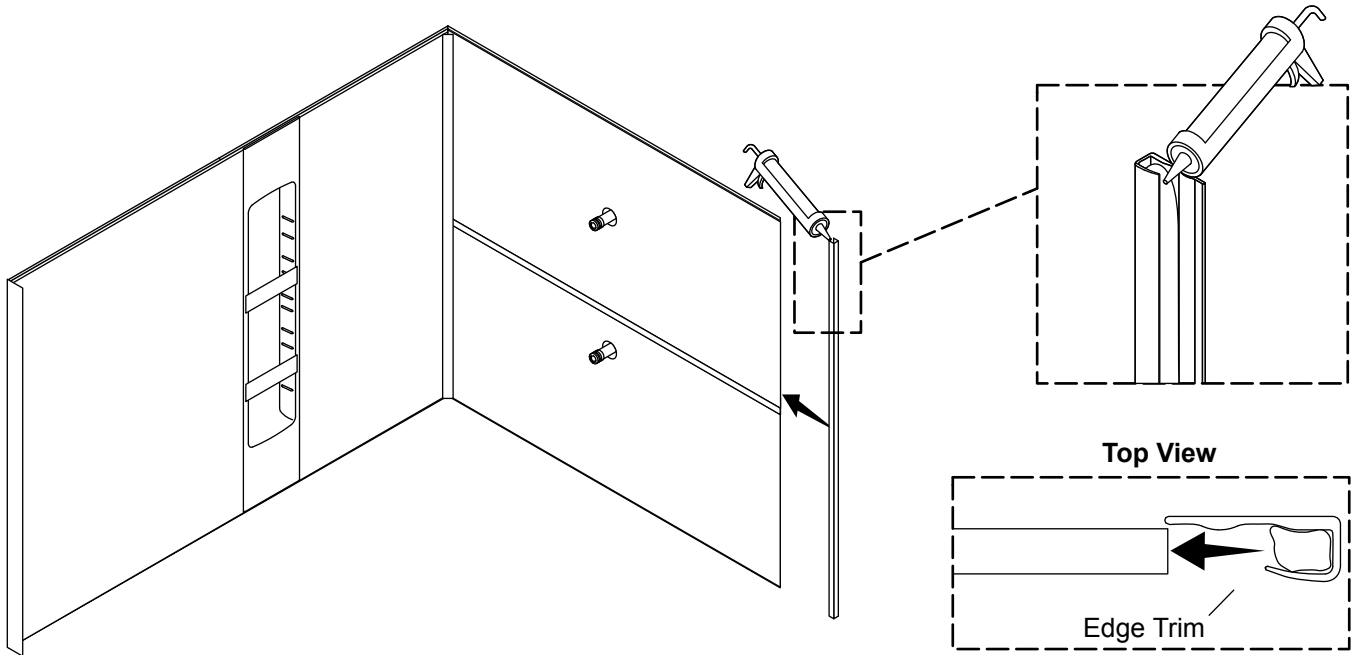
NOTE: Use silicone adhesive if the wall panels are being installed over tile. For all other applications, use the adhesive type specified in the instructions included with the shower walls.

- Apply adhesive to the side wall panel in a circular pattern. The beads of adhesive should be 5" (127 mm) to 7" (178 mm) apart.
- Apply a bead of adhesive along the edges of the wall panel 3/4" (19 mm) from the edge.
- Move the side wall panel into place by first pressing the side wall panel into the seam joint and then sliding the wall panel into the corner joint if installed.
- Push the wall panel against the rough wall. Press firmly and evenly across the entire wall panel. The wall panel should contact the rough wall along the entire area.
- Remove excess adhesive with your finger.

NOTE: Bracing may be needed to hold the wall panel in place depending on the rough wall material and adhesive being used.

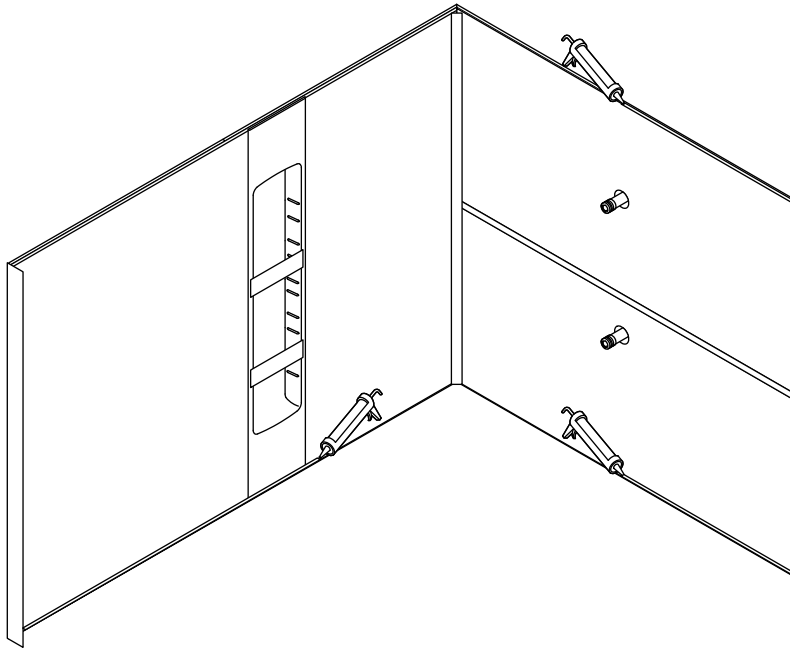
- When installed over tile, use a temporary brace to secure each wall panel in place for 48 hours to allow full adhesion.
- Repeat these steps with the second side of the enclosure.

18. Install the Edge Trim (Optional)



- If installing edge trim on the outside edges of the wall panel, measure the wall panel height.
- Transfer the measurement to the edge trim.
- Cut the edge trim.
- Apply color matched silicone sealant to the edge trim channel.
- Install the edge trim to the outside edge of the wall panel.
- Repeat for the second side.
- Remove the excess sealant with your finger.

19. Seal the Enclosure



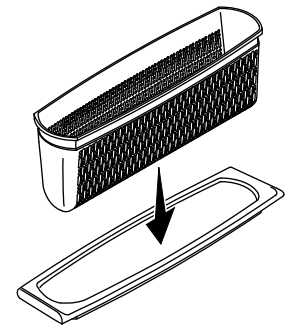
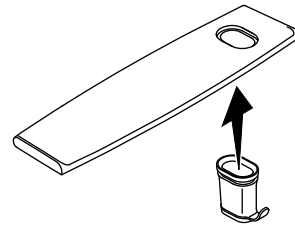
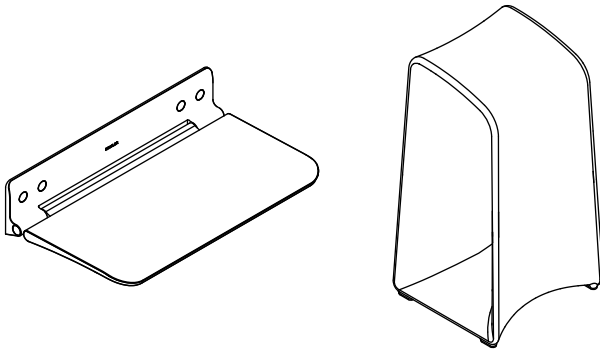
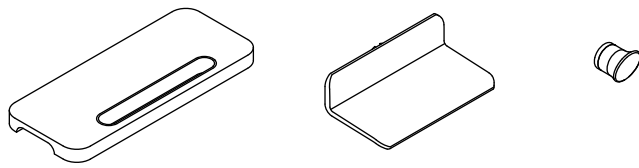
IMPORTANT! For better adhesion success, allow the panels to cure 24 to 48 hours before performing the final steps. Sealing the top and bottom will restrict air flow, resulting in longer curing time.

- Apply sealant to the top seams where the panels meet the rough wall.
- Apply sealant to the bottom seams where the panels meet the bath or shower base.

NOTE: Wait 24 hours before showering or running water.

- Remove the tape from the locker unit once the adhesive and sealant on the locker unit and wall panels have cured.

20. Complete the Installation



- Install all accessories following the instructions packed with the products.
- Prepare the shelves with accessories.
- Press the hook into the shelf as shown above.
- Press the basket into the shelf as shown above.

TIP: When preparing the two shelves, use water and soap to guide the hook and basket into the shelves with ease.

- Install the shelves into the locker unit.

Instructions d'installation

Casier avec panneaux muraux et joints

Merci d'avoir choisi KOHLER

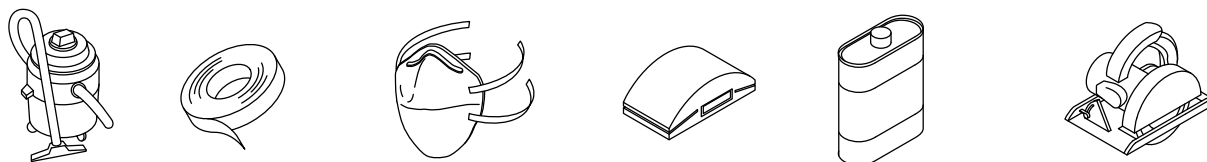
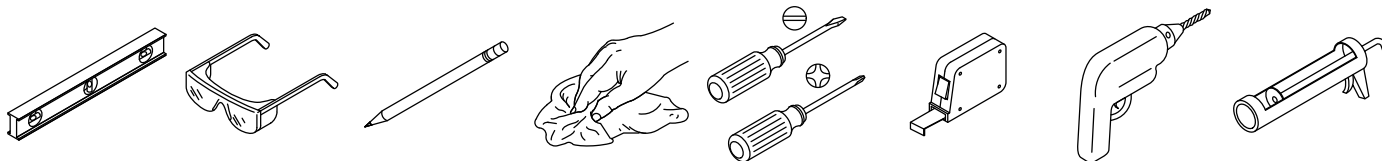
Besoin d'aide? Appeler notre centre de services à la clientèle.

- USA/Canada : 1-800-4KOHLER (1-800-456-4537) Mexique : 001-800-456-4537
- Pièces d'entretien : kohler.com/serviceparts
- Entretien et nettoyage : kohler.com/clean
- Brevets : kohlercompany.com/patents

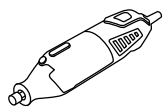
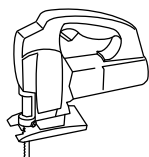
Garantie

Ce produit est couvert sous la **garantie limitée de dix ans des parois et accessoires** KOHLER® Choreograph®, fournie sur le site kohler.com/warranty. Pour obtenir une copie imprimée des termes de la garantie, s'adresser au centre de services à la clientèle.

Outils et matériel



Ruban-cache Protection respiratoire Cale à poncer Alcool dénaturé Scie circulaire de 7-1/4 po





Scie sauteuse Outil rotatif haute vitesse avec meule de coupe


Plus :

- Outils de menuiserie standard
- Entretoises ou bois débité à ressort (pour créer le renfort)
- 1-2 tubes de mastic à la silicone à 100 %de couleur assortie
- 8 tubes ou plus de mastic à la silicone de couleur claire (pour une installation sur du carrelage)
- Chevalets
- Toile de protection
- Papier abrasif à grains 120

Avant de commencer

 **AVERTISSEMENT : Risque de blessures graves.** Porter des lunettes de protection et utiliser un masque respiratoire lors de la coupe et du perçage.

 **ATTENTION : Risque de blessures.** Pour les installations de panneau de plafond, installer le panneau de plafond et laisser l'adhésif sécher avant d'installer les panneaux muraux. Le plafond pourrait tomber pendant l'installation des panneaux muraux si le temps de séchage n'est pas suffisant.

 **ATTENTION : Risque d'endommagement du produit.** Les panneaux muraux doivent être à la température ambiante avant d'être coupés. Attendre que la température se soit stabilisée si les murs étaient entreposés dans un environnement froid.

IMPORTANT! De la poussière sera générée lors de la découpe des panneaux muraux et de l'ensemble casier. Couper les murs et le casier à l'extérieur ou dans une zone bien ventilée.

IMPORTANT! Pour obtenir les meilleurs résultats possibles, couper les murs conformément aux instructions accompagnant les panneaux muraux.

IMPORTANT! Laisser ce manuel pour l'utilisateur final.

Lire ces instructions avant d'installer ou d'utiliser ce produit.

L'ensemble casier doit seulement être coupé en hauteur. Ne pas couper les côtés.

Vérifier que les murs bruts existants sont compris dans un rayon de 3/8 po (10 mm) de l'aplomb.

L'ensemble casier doit être supporté par des renforts 2x4 autour de l'ensemble au complet.

Utiliser du mastic à la silicone de couleur assortie dans les jonctions et les joints.

Recouvrir la base de la douche avec une toile de protection ou un autre matériel de protection pour éviter des dommages.

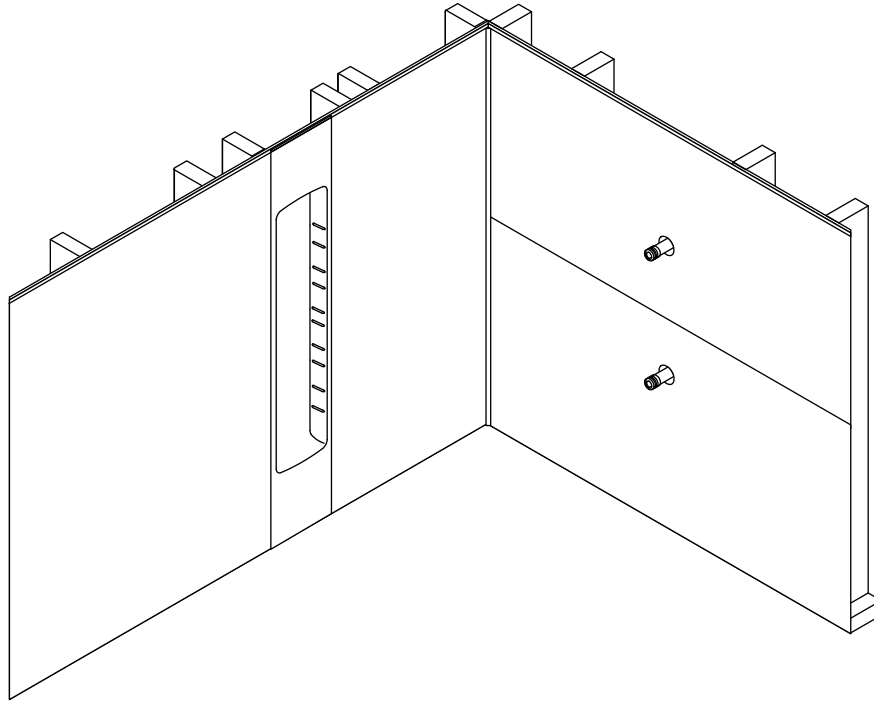
Suivre les instructions relatives à l'adhésif et au mastic à la silicone et à celles concernant l'application et le temps de prise.

Inspecter tous les composants pour y rechercher des dommages éventuels, après les avoir déballés, et avant l'installation.

Une toupilleuse peut être utilisée pour couper les murs et le casier. La mèche de la toupilleuse s'émousse rapidement.

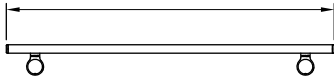
Si les panneaux muraux sont installés sur du carrelage déjà présent, frotter le carrelage avec du papier abrasif de grain 100 afin d'assurer un meilleur contact adhésif.

Si des accessoires sont installés, installer un renfort 2x4 pour les mains courantes, les étagères et les crochets, et un renfort 2x10 pour le siège rabattable.

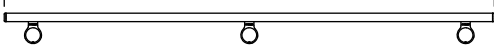


Accessoires

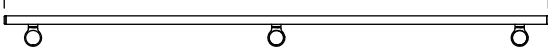
Main courante 24" (610 mm)



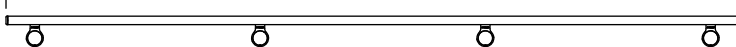
Main courante 36" (914 mm)



Main courante 40" (1016 mm)



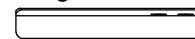
Main courante 54" (1372 mm)



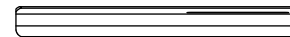
Étagère



Étagère



Étagère



○ Crochet

REMARQUE : Déterminer quels accessoires seront installés et où ils seront installés avant de poser le matériau de renfort du panneau mural, étant donné que les accessoires pourraient exiger un renfort en bois.

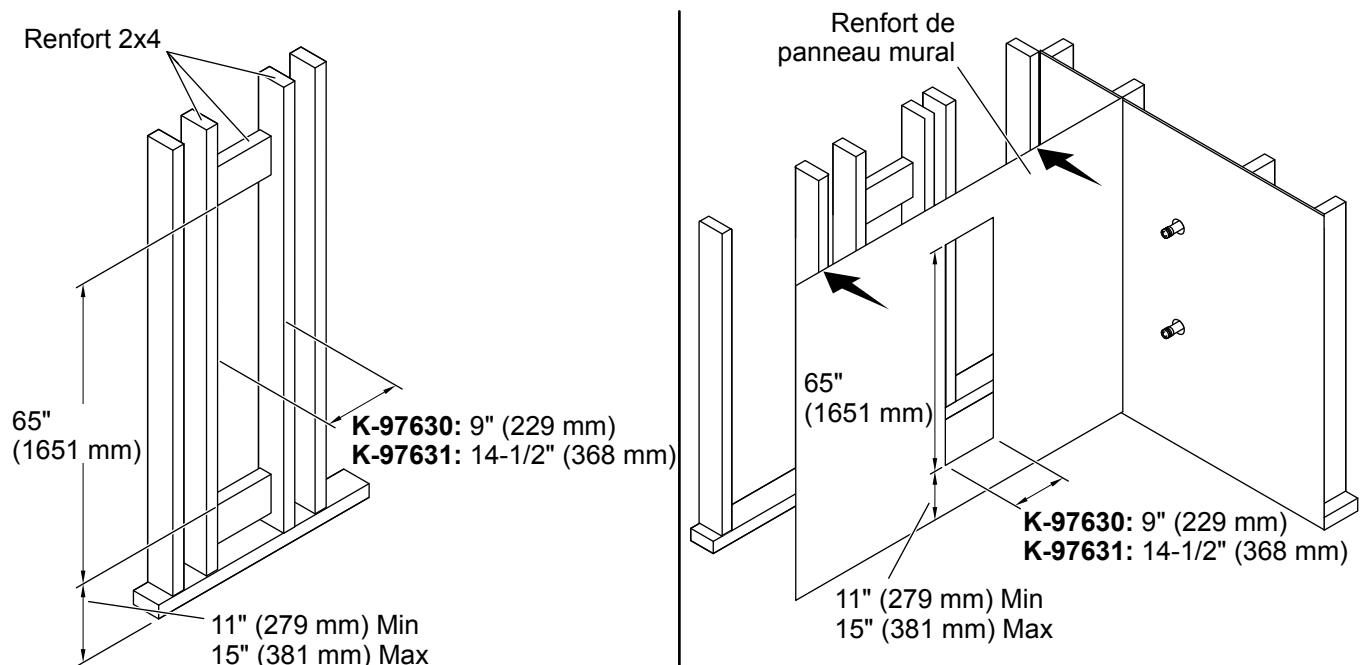
Installer tous les renforts requis.

Un renfort 2x4 est requis pour le crochet, sauf si celui-ci est installé dans le cloutage.

Un renfort 2x4 est requis pour toutes les mains courantes et étagères.

Un renfort 2x10 est requis pour le siège rabattable.

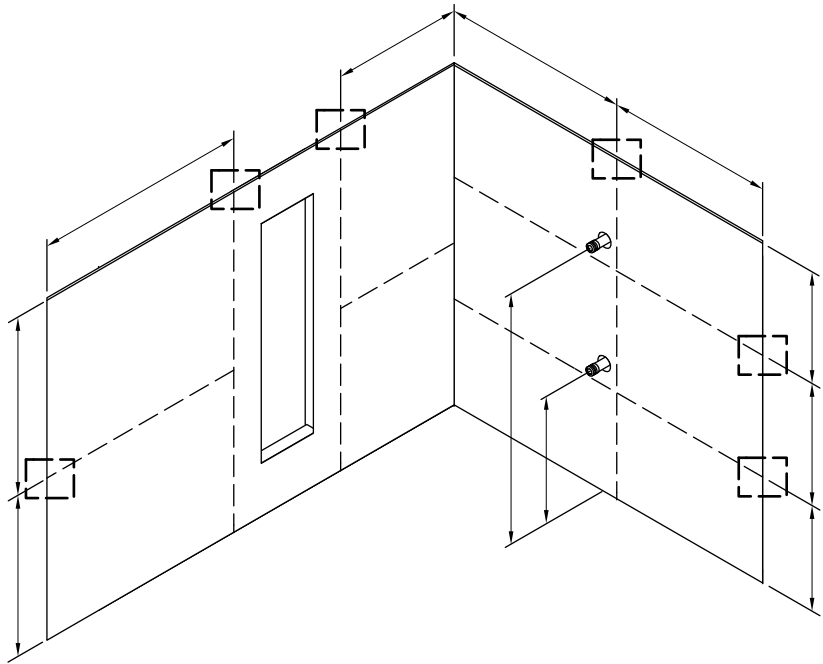
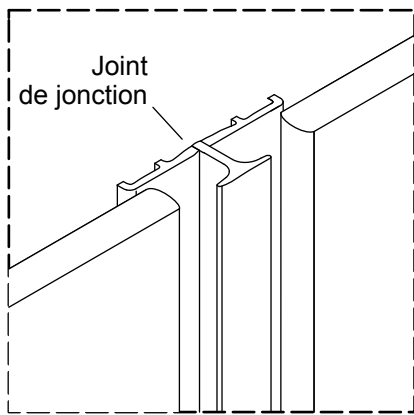
1. Préparer le site



IMPORTANT! Il est recommandé d'utiliser un panneau mural étanche à l'eau.

- Installer la plomberie de raccordement pour les composants de la baignoire et de la douche.
- Inspecter les montants pour vérifier qu'ils sont d'aplomb. Les montants doivent être compris dans un rayon de 3/8 po (10 mm) de l'aplomb. Poser des cales si nécessaire.
- Déterminer la hauteur de l'enceinte et de l'ensemble casier.
- Installer un renfort 2x4 à l'emplacement où sera placé l'ensemble casier en suivant les dimensions ci-dessus.
- Installer un support de renfort pour tous les accessoires qui exigent un support supplémentaire. Se référer aux guides d'installation accompagnant chaque produit pour les besoins d'installation spécifiques.
- Installer le matériau de renfort du panneau mural par-dessus l'ouverture de l'ensemble casier avec les mêmes dimensions que la découpe du renfort 2x4.

2. Mesurer les composants



- Déterminer si des joints verticaux ou horizontaux seront présents au-delà des emplacements de coins. Commander des joints de jonction optionnels selon les besoins.
- Déterminer si une garniture de bordure sera installée. Commander une garniture de bordure optionnelle selon les besoins.
- Mesurer la surface d'installation pour déterminer les dimensions de découpe pour le(s) panneau(x).


Mesure du mur arrière

- Soustraire 1/16 po (2 mm) de chaque largeur de panneau mural arrière pour les joints de jonction de l'ensemble casier.
- Soustraire 1/16 po (2 mm) de la hauteur ou de la largeur du panneau mural pour chaque joint de jonction supplémentaire.
- Soustraire une moitié de la largeur totale de l'ensemble casier de la largeur de chaque panneau mural arrière.
- Si l'on installe des joints de coin, soustraire 1/16 po (2 mm) de la largeur des panneaux arrière pour chaque joint de coin.
- Marquer les lignes de découpe sur l'arrière du panneau arrière.

Mesure du mur latéral

- Si l'on installe des joints de coin, soustraire 5/16 po (8 mm) de la largeur de chaque panneau mural latéral avant de couper.
- Soustraire 1/16 po (2 mm) de la hauteur ou de la largeur de chaque panneau pour chaque joint de jonction qui sera installé.
- Noter l'emplacement de la poignée, de la pomme de douche, du bec de la baignoire, et des autres composants.
- Marquer les lignes de découpe sur l'arrière des panneaux muraux latéraux.

3. Installation avec panneaux de plafond (optionnel)

 **ATTENTION : Risque de blessures.** Pour les installations de panneau de plafond, installer le panneau de plafond et laisser l'adhésif sécher avant d'installer les panneaux muraux. Le plafond pourrait tomber pendant l'installation des panneaux muraux si le temps de séchage n'est pas suffisant.

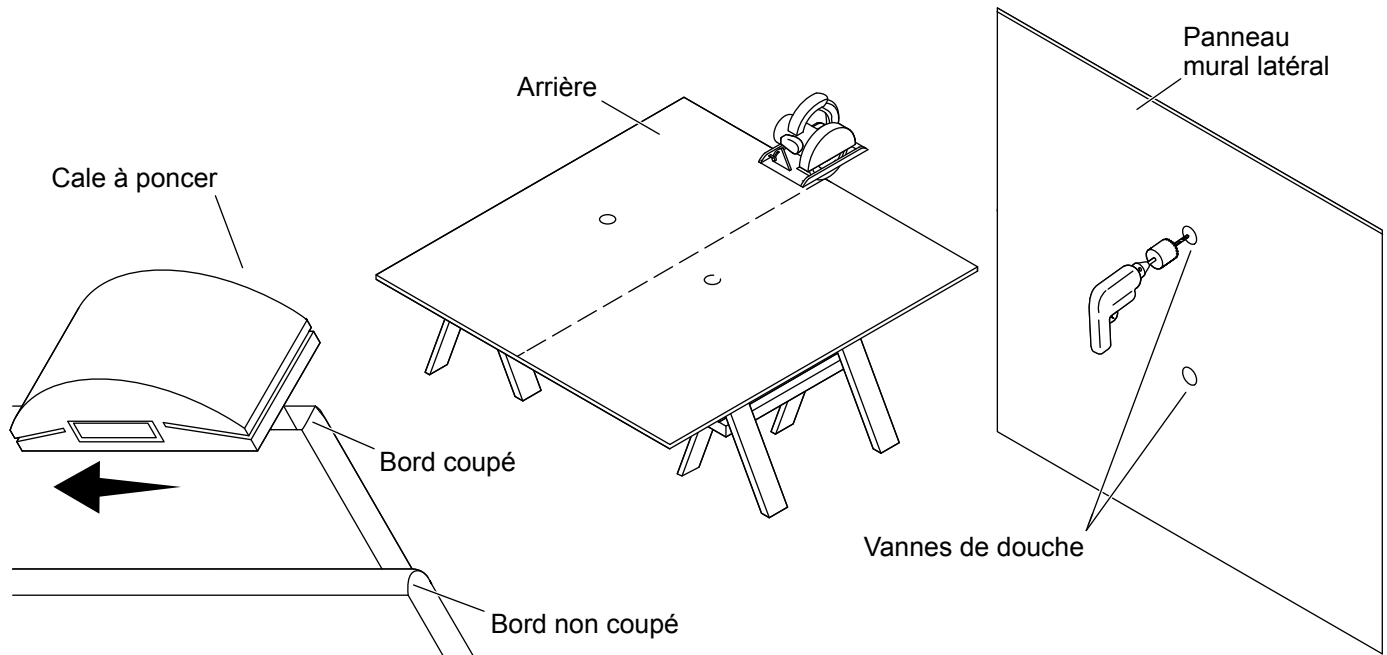
REMARQUE : Deux personnes sont requises pour installer un panneau de plafond.

- Si le plafond sera couvert avec le matériau des panneaux, mesurer et couper le panneau du plafond à la taille appropriée.
- Construire un renfort ou utiliser un renfort disponible sur le marché pour maintenir le matériau du plafond en place pendant qu'il sèche.

REMARQUE : Il est recommandé d'utiliser de l'adhésif à base de polyuréthane pour le panneau du plafond.

- Appliquer l'adhésif spécifié dans les instructions pour le panneau mural sur le matériau du plafond, comme indiqué dans la section « Installer le premier panneau mural ».
- Avec une autre personne, lever avec précaution le panneau du plafond pour le mettre en place.
- Soutenir le panneau du plafond de manière serrée contre le plafond et le laisser sécher le panneau du plafond en suivant les instructions accompagnant l'adhésif.

4. Couper le casier et les murs.



Découper l'emplacement du mur

IMPORTANT! Le bord coupé du panneau DOIT être positionné à l'opposé du joint. Le bord vertical du joint DOIT être accouplé à un bord non coupé, bord de biseau moulé sur le panneau.

REMARQUE : Un joint de jonction peut être utilisé entre les panneaux, mais les exigences des emplacements de bords coupés restent inchangés.

Découpe des murs et du casier

IMPORTANT! Suivre les instructions de coupe accompagnant les panneaux muraux.

IMPORTANT! Ne pas couper les côtés de l'ensemble casier. Seulement couper le haut ou le bas pour adapter à la hauteur du mur en question

IMPORTANT! L'ensemble casier doit être placé avec les angles des rainures des étagères tournés vers le haut. Les étagères tomberont si l'ensemble casier est placé à l'envers.

- Positionner le panneau mural arrière tourné vers le bas sur un stand ou des chevalets recouverts d'un matériel de protection.
- Couper le panneau mural arrière aux dimensions requises.
- Répéter pour tous les panneaux muraux latéraux.

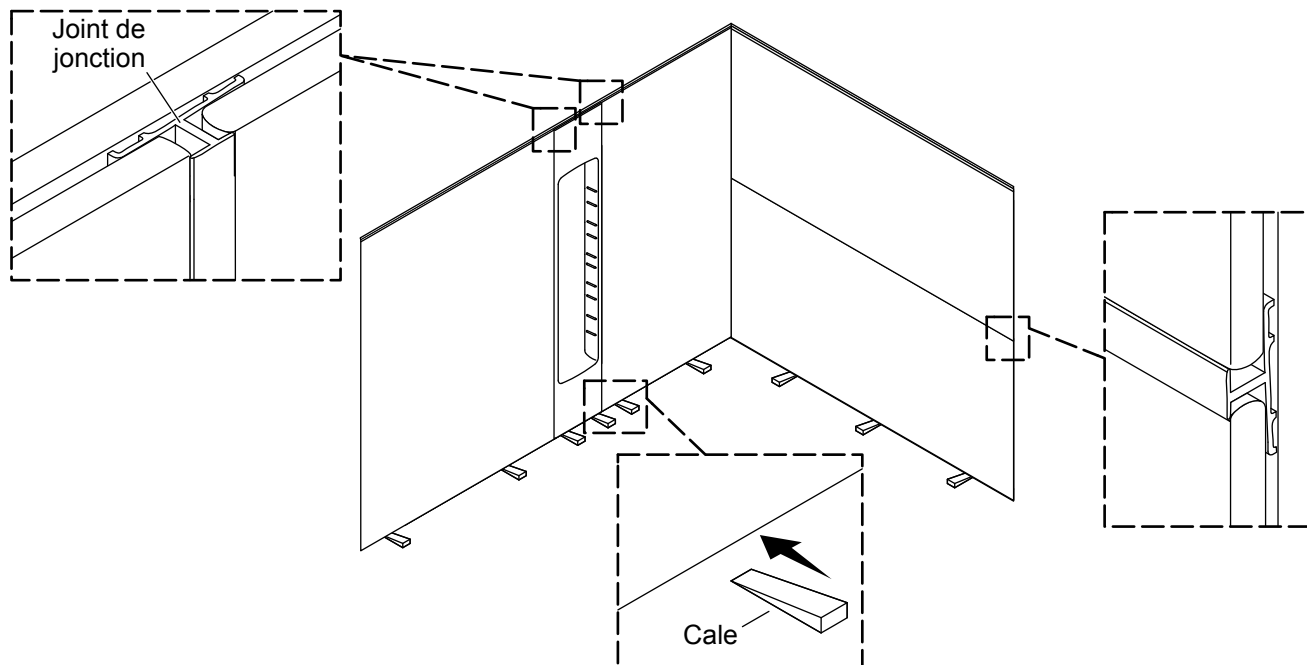
REMARQUE : Retirer tous les films de protection sur la surface de l'ensemble casier avant de couper.

- Couper l'ensemble casier à la hauteur requise en utilisant une lame à dents fines.
- À partir du côté avant du panneau, utiliser une scie-cloche pour découper les trous pour les vannes et autres composants de douche.

IMPORTANT! Il est de première importance que les panneaux muraux et l'ensemble casier soient propres afin de créer une bonne liaison avec l'adhésif.

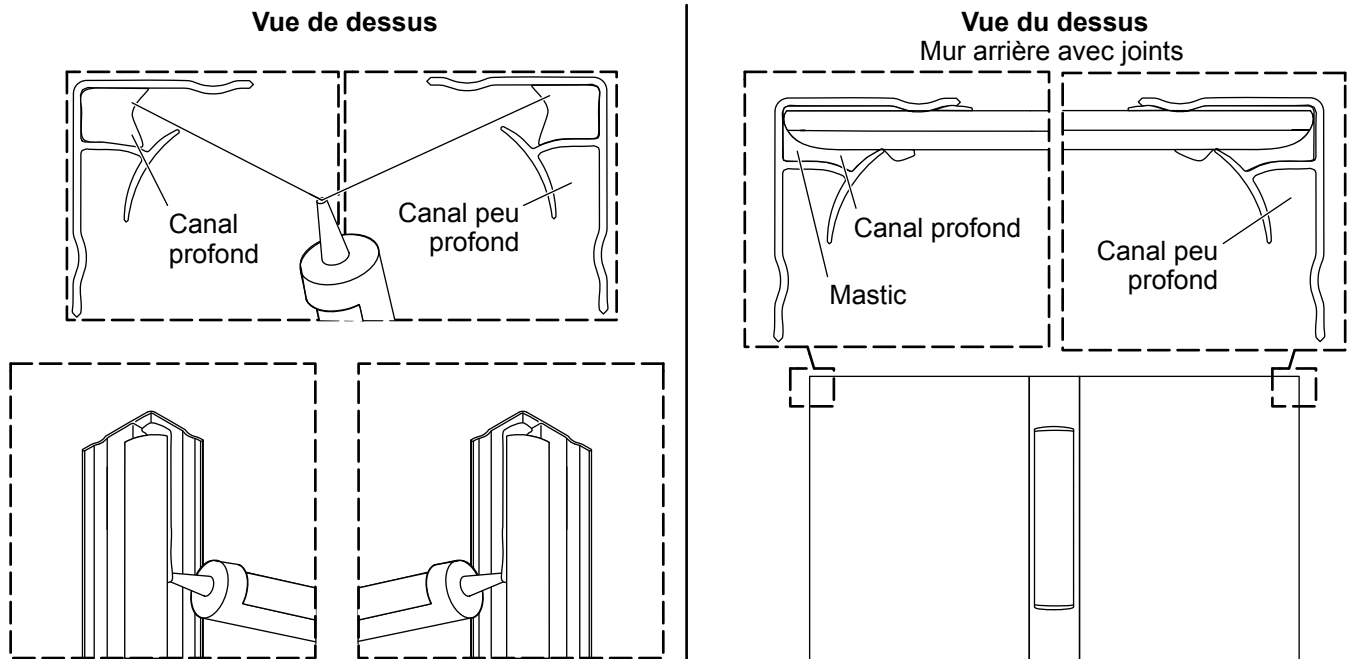
- Sur les bords de chaque panneau, retirer le matériau excessif et lisser les bords rugueux à l'aide d'une cale à poncer.
- Nettoyer l'arrière des panneaux muraux et l'ensemble casier avec de l'alcool dénaturé.

5. Adapter à sec le casier et les murs



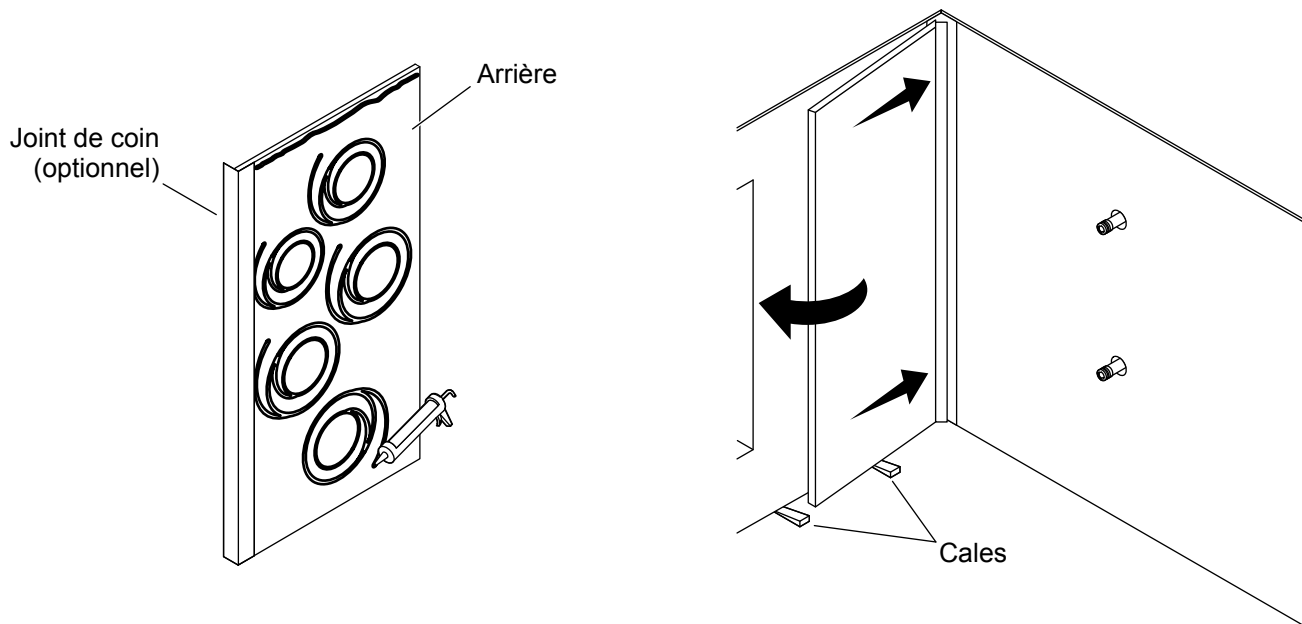
- Adapter à sec les joints de coins sur les panneaux arrière s'ils sont installés. Se référer à la section « Installer les joints de coins (optionnel) » pour une orientation correcte.
- Adapter à sec l'ensemble casier, les joints de jonction, les panneaux muraux arrière et latéraux avec des cales pour vérifier qu'ils sont bien adaptés. Ajuster au besoin.
- Retirer les panneaux et l'ensemble casier.
- Retirer les joints de jonction et les joints de coins.

6. Installer les joints de coins (optionnel)



- Mesurer la hauteur du panneau mural arrière.
- Couper le joint de coin à la hauteur du panneau mural arrière en utilisant un petit outil rotatif avec une meule.
- Appliquer un mastic d'étanchéité à la silicone à 100 % de couleur assortie dans le canal profond sur le joint de coin. Appliquer une quantité de mastic suffisante pour remplir la moitié du canal.
- Installer le canal profond du joint de coin sur le côté du panneau mural arrière.
- Ne pas** appliquer de mastic et ne pas installer le deuxième joint de coin avant d'être prêt à installer le deuxième panneau mural arrière.

7. Installer le premier panneau mural



REMARQUE : Utiliser de l'adhésif à la silicone si les panneaux muraux sont installés sur du carrelage. Pour toutes les autres applications, utiliser le type d'adhésif spécifié dans les instructions accompagnant les murs de la douche.

- Appliquer de l'adhésif sur le panneau mural arrière dans un motif circulaire. Les boudins de l'adhésif doivent être espacés de 5 po (127 mm) à 7 po (178 mm).
- Appliquer un boudin d'adhésif le long du bord supérieur du panneau mural arrière à 3/4 po (19 mm) du bord.
- Mettre le panneau mural arrière en place à un léger angle avec le joint de coin, s'il est installé, enfoncé entièrement dans le coin.
- Pousser le panneau contre le mur brut. Appuyer fermement et de manière uniforme à travers le mur au complet. Le panneau doit entièrement entrer en contact avec le mur brut.

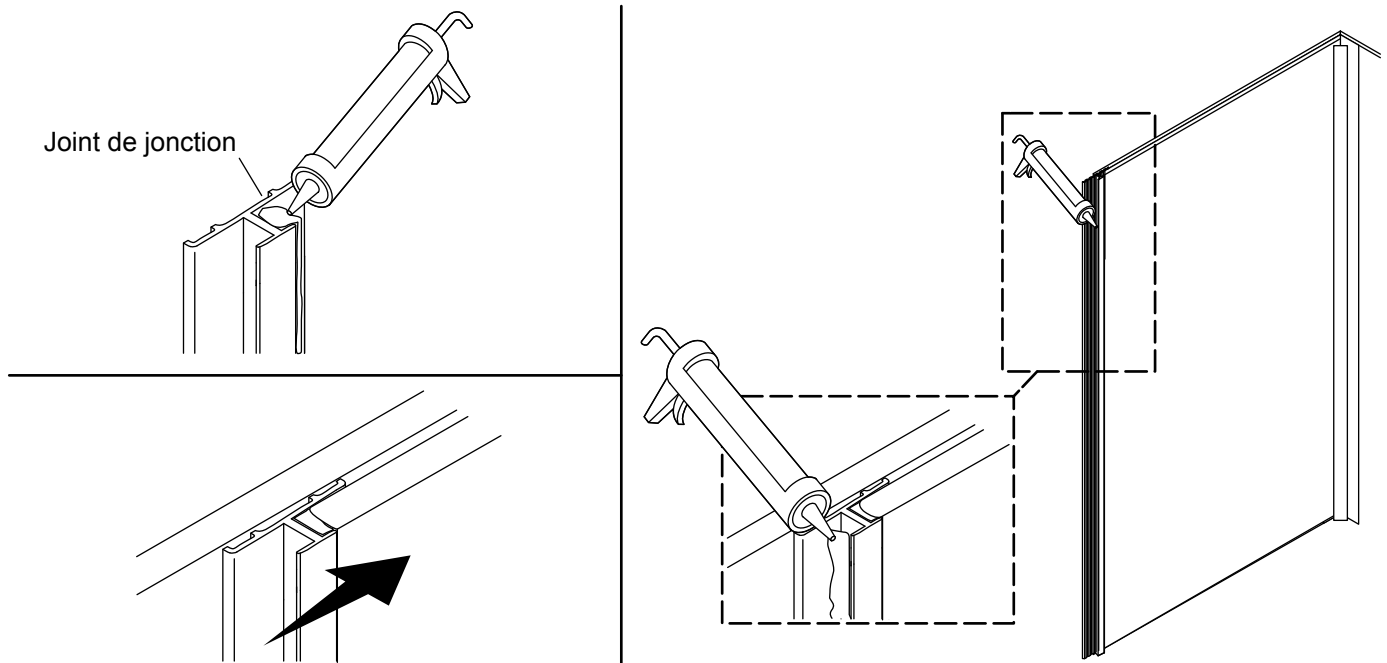
CONSEIL : Pour éliminer l'excès d'adhésif, vaporiser de l'alcool dénaturé sur la surface à nettoyer et sur le doigt. L'alcool dénaturé doit aider à faciliter l'élimination de l'adhésif.

- Retirer l'excès d'adhésif avec le doigt.

REMARQUE : Il sera peut-être nécessaire de maintenir le panneau mural en place, en fonction du matériau de mur brut et de l'adhésif utilisés.

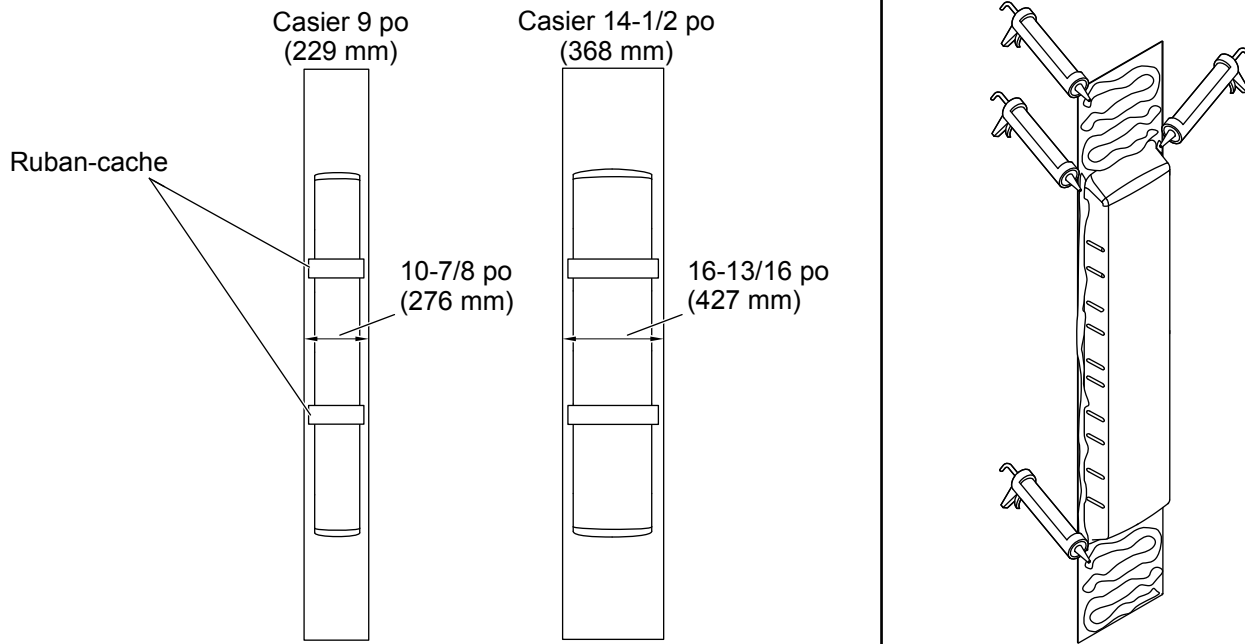
- Lors d'une installation sur du carrelage, utiliser un renfort temporaire pour fixer chaque panneau mural en place pendant 48 heures afin de permettre une adhésion complète.

8. Installer le premier joint de jonction



- Remplir un canal sur le côté mur du joint de jonction avec du mastic à la silicone de couleur assortie.
- Installer le joint de jonction sur le panneau mural arrière déjà installé.
- Appliquer du mastic à la silicone de couleur assortie sur le deuxième canal du joint de jonction lorsque l'ensemble casier est prêt à être installé.

9. Préparer l'ensemble casier

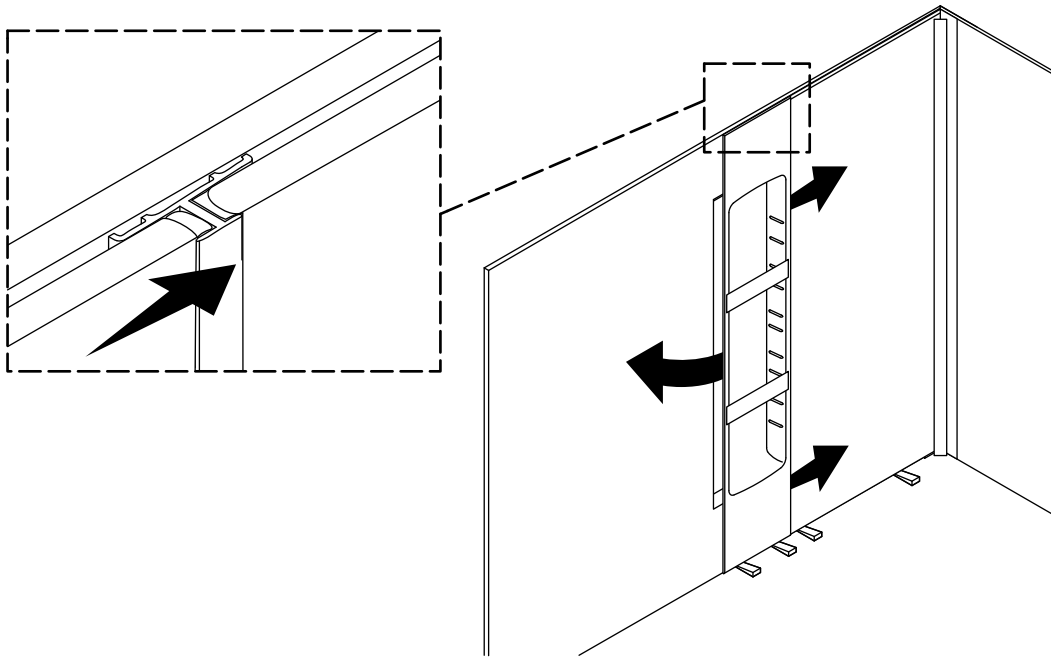


- Faire passer deux morceaux de ruban-cache au travers de l'avant de l'ensemble casier, en tirant les côtés vers l'intérieur jusqu'à ce que le centre de l'ensemble casier se trouve aux dimensions indiquées ci-dessus.
- Vérifier si l'étagère est bien adaptée dans l'ensemble de rainures juste au-dessus et au-dessous des zones avec ruban de l'ensemble casier. Vérifier que l'étagère est adaptée de manière serrée. Si l'étagère est lâche, serrer le ruban au travers de l'ensemble casier jusqu'à ce qu'elle soit adaptée de manière serrée.
- Laisser le ruban en place jusqu'à l'étape finale de l'installation.
- Nettoyer l'arrière de l'ensemble casier avec de l'alcool dénaturé et poncer l'arrière du casier avec du papier abrasif à grains 120 pour favoriser l'adhésion.

CONSEIL : De l'adhésif à base d'uréthane pourrait être plus efficace pour l'adhésion de l'ensemble casier.

- Appliquer généreusement de l'adhésif de construction ou de l'adhésif à la silicone pour baignoires et douches sur l'arrière de l'ensemble casier sur le dessus, le bas, et les côtés.

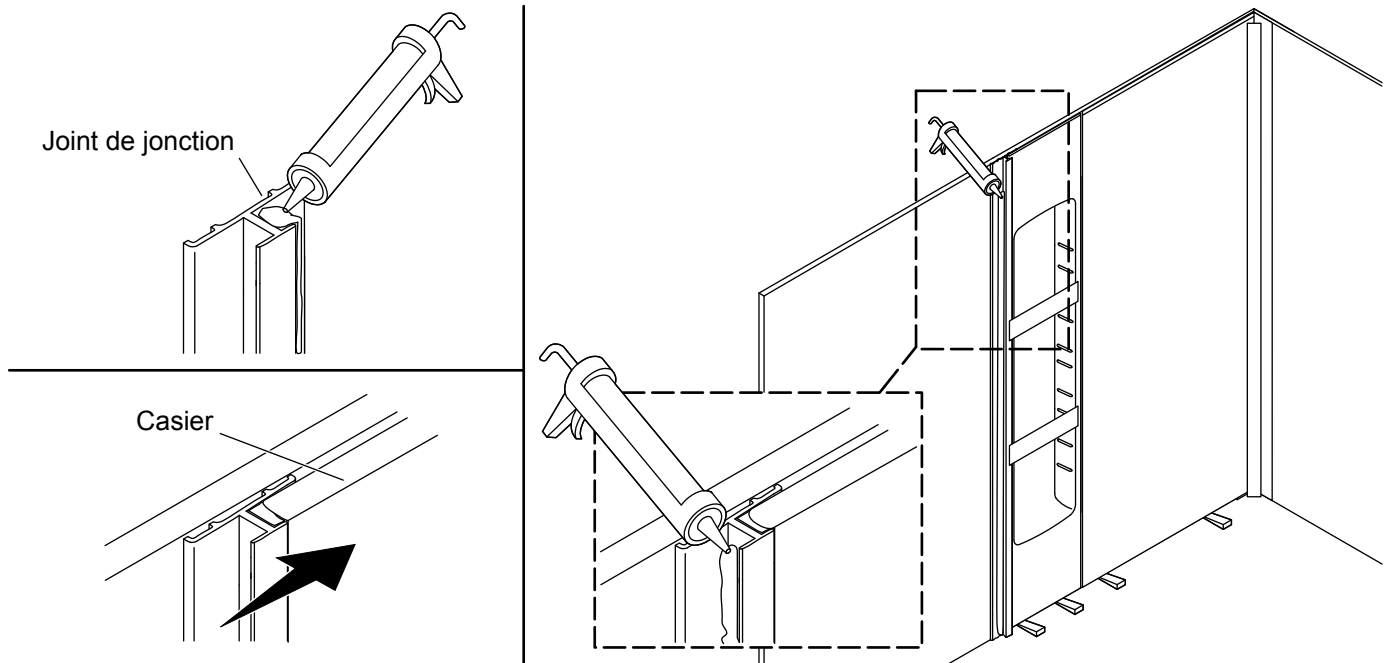
10. Installer l'ensemble casier



IMPORTANT! L'ensemble casier doit être placé avec les angles des rainures des étagères tournés vers le haut. Les étagères tomberont si l'ensemble casier est placé à l'envers.

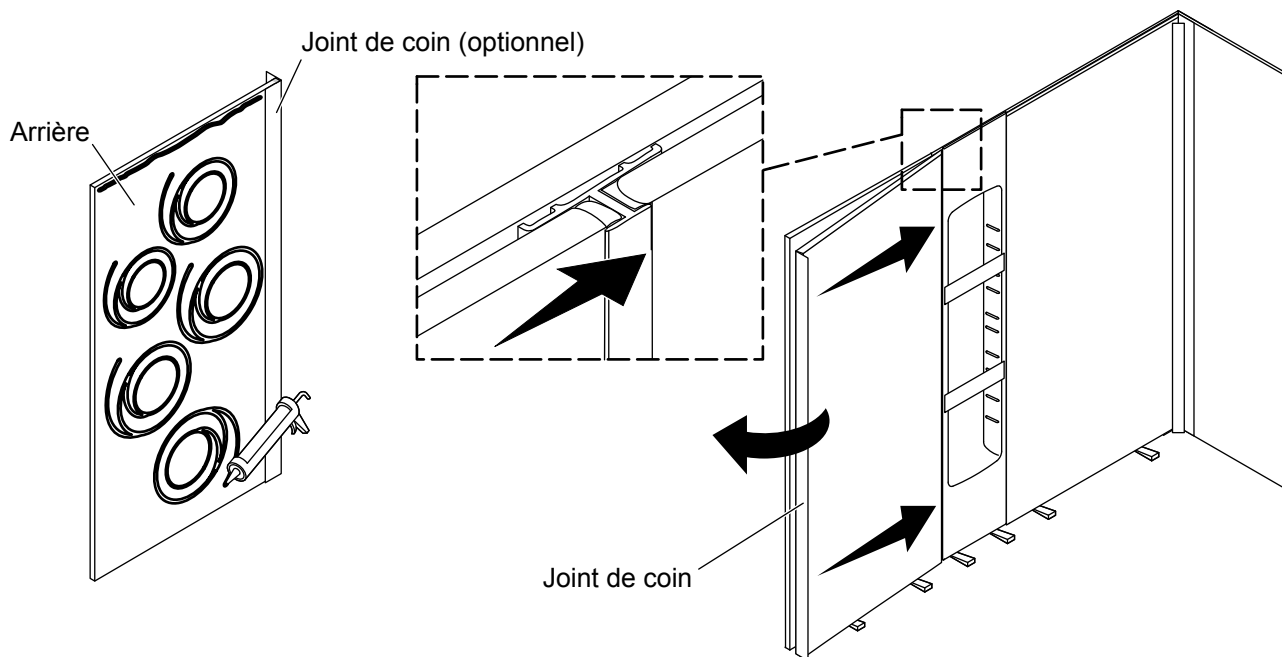
- Amener l'ensemble casier en place à un léger angle.
- Pousser l'ensemble casier contre le joint de jonction installé et dans le mur brut. Appuyer fermement et de manière uniforme à travers l'ensemble casier au complet.

11. Installer le deuxième joint de jonction



- Remplir un canal sur le côté casier du joint de jonction avec du mastic à la silicone de couleur assortie.
- Installer le joint de jonction sur l'ensemble casier installé.
- Appliquer du mastic à la silicone de couleur assortie sur le deuxième canal du joint de jonction lorsque le deuxième panneau mural arrière est prêt à être installé.

12. Installer le deuxième panneau mural



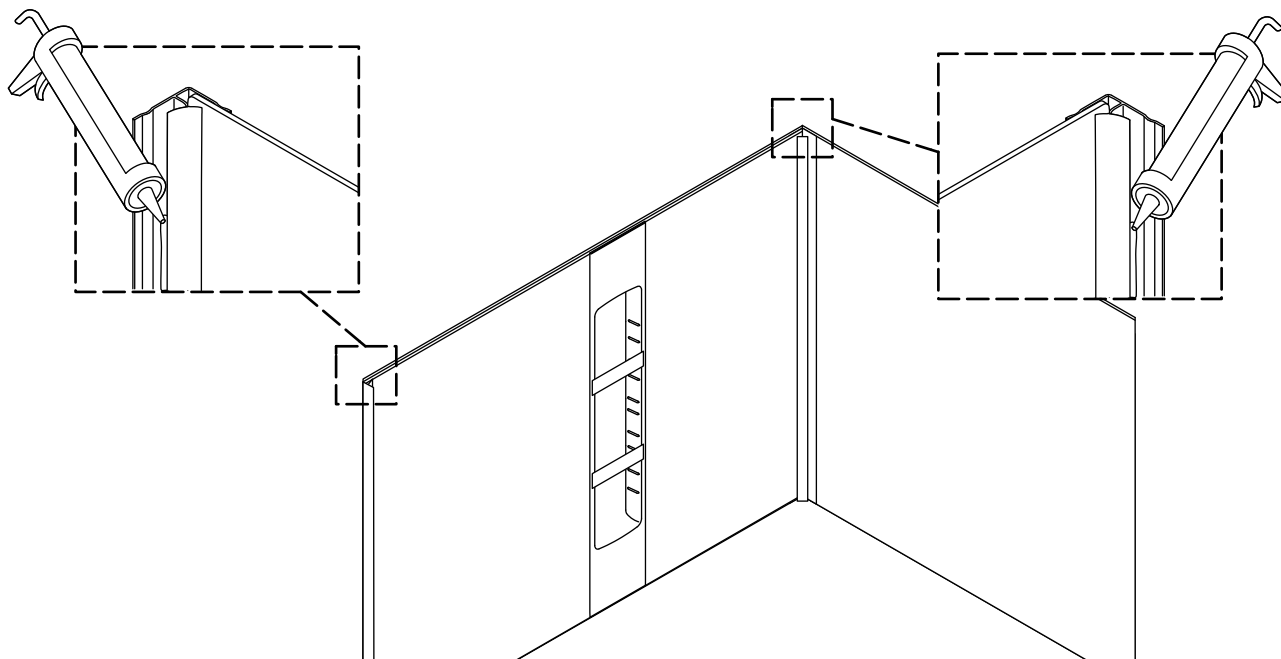
REMARQUE : Utiliser de l'adhésif à la silicone si les panneaux muraux sont installés sur du carrelage. Pour toutes les autres applications, utiliser le type d'adhésif spécifié dans les instructions accompagnant les murs de la douche.

- Appliquer de l'adhésif sur le panneau mural arrière dans un motif circulaire. Les boudins de l'adhésif doivent être espacés de 5 po (127 mm) à 7 po (178 mm).
- Appliquer un boudin d'adhésif le long du bord supérieur du panneau mural arrière à 3/4 po (19 mm) du bord.
- Mettre le panneau mural arrière en place à un léger angle avec le joint de coin, s'il est installé, enfoncé entièrement dans le coin.
- Pousser le panneau mural contre le mur brut. Appuyer fermement et de manière uniforme à travers le panneau mural au complet. Le panneau mural doit entrer en contact avec le mur brut le long de toute la surface.
- Pousser le panneau contre le mur brut et dans le joint de jonction installé. Appuyer fermement et de manière uniforme à travers le mur au complet. Le panneau doit entrer en contact avec le mur brut le long de toute la surface.
- Vérifier que l'ensemble casier entre en contact avec les joints de jonction le long de toute la surface.
- Retirer l'excès d'adhésif avec le doigt.

REMARQUE : Il sera peut-être nécessaire de maintenir le panneau mural en place, en fonction du matériau de mur brut et de l'adhésif utilisés.

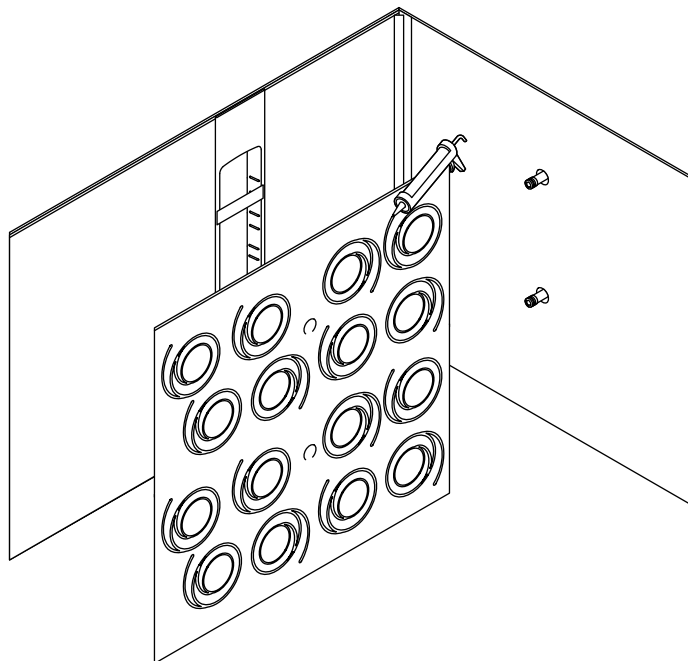
- Lors d'une installation sur du carrelage, utiliser un renfort temporaire pour fixer chaque panneau mural en place pendant 48 heures afin de permettre une adhésion complète.

13. Préparer les joints de coins (optionnel)



- Appliquer un mastic de couleur assortie dans la rainure du canal peu profond sur le joint de coin. Appliquer une quantité de mastic suffisante pour remplir la moitié de la rainure.
- Ne pas** appliquer de mastic sur le deuxième joint de coin avant d'être prêt à installer le deuxième panneau mural latéral.

14. Installer les panneaux muraux latéraux sans joints



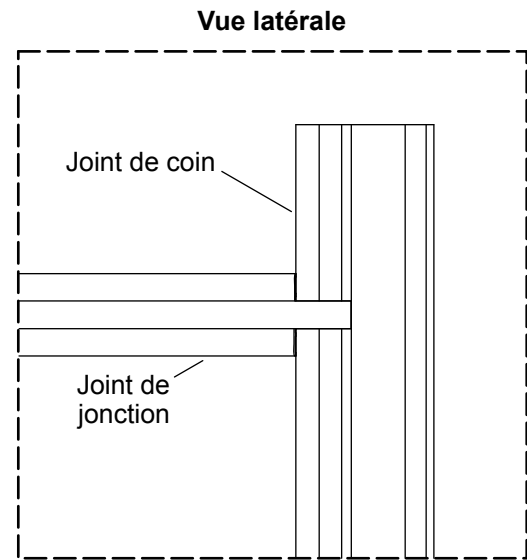
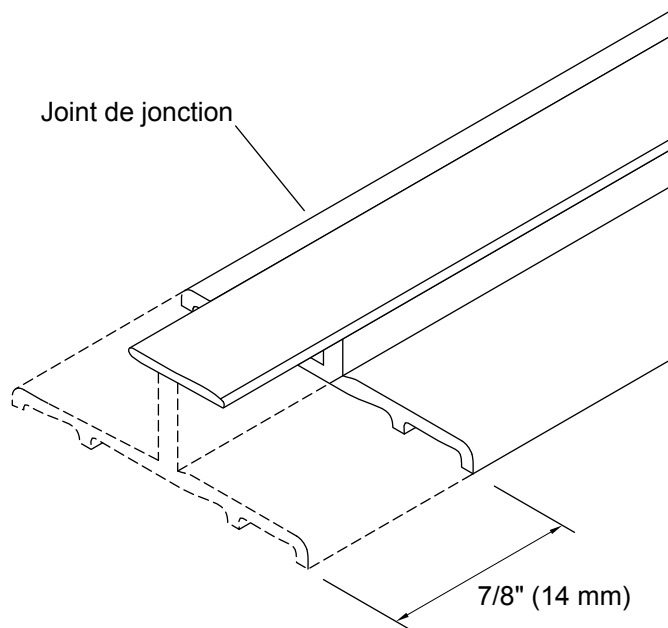
REMARQUE : Utiliser de l'adhésif à la silicone si les panneaux muraux sont installés sur du carrelage. Pour toutes les autres applications, utiliser le type d'adhésif spécifié dans les instructions accompagnant les murs de la douche.

- Appliquer de l'adhésif sur le panneau mural latéral dans un motif circulaire. Les boudins de l'adhésif doivent être espacés de 5 po (127 mm) à 7 po (178 mm).
- Appliquer un boudin d'adhésif le long des bords du panneau mural arrière à 3/4 po (19 mm) du bord.
- Mettre le panneau mural en place à un léger angle en enfonçant le panneau mural dans le joint de coin, s'il est installé.
- Pousser le panneau mural contre le mur brut. Appuyer fermement et de manière uniforme à travers le panneau mural au complet. Le panneau mural doit entrer en contact avec le mur brut le long de toute la surface.
- Retirer l'excès d'adhésif avec le doigt.

REMARQUE : Il sera peut-être nécessaire de maintenir le panneau mural en place, en fonction du matériau de mur brut et de l'adhésif utilisés.

- Lors d'une installation sur du carrelage, utiliser un renfort temporaire pour fixer chaque panneau mural en place pendant 48 heures afin de permettre une adhésion complète.
- Répéter ces étapes avec le deuxième côté de l'enceinte.

15. Préparer les joints de jonction



Installation avec les joints de coins

- Déterminer la longueur de joint de jonction requise en mesurant la largeur du panneau mural latéral et en laissant une longueur suffisante pour prolonger de 7/8 po (14 mm) dans le canal du joint de coin.

REMARQUE : Pour couper le joint de jonction, il est recommandé d'utiliser un petit outil rotatif avec une meule.

- Couper le joint de jonction à la longueur requise.
- Couper l'extrémité du joint de jonction à l'emplacement où il entre en contact avec le joint de coin, comme sur l'illustration.

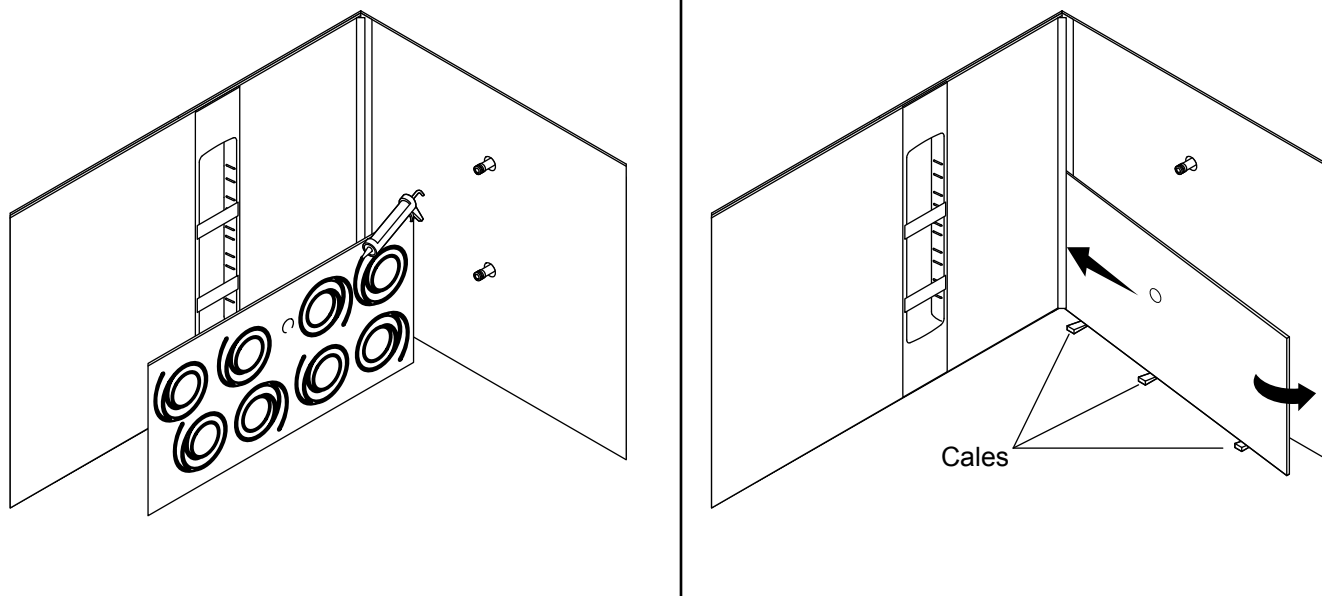
Installation sans les joints de coins

- Déterminer la longueur de joint de jonction requise en mesurant la largeur du panneau mural latéral.

REMARQUE : Pour couper le joint de jonction, il est recommandé d'utiliser un petit outil rotatif avec une meule.

- Couper le joint de jonction à la longueur requise.

16. Installer les panneaux muraux latéraux sans joints

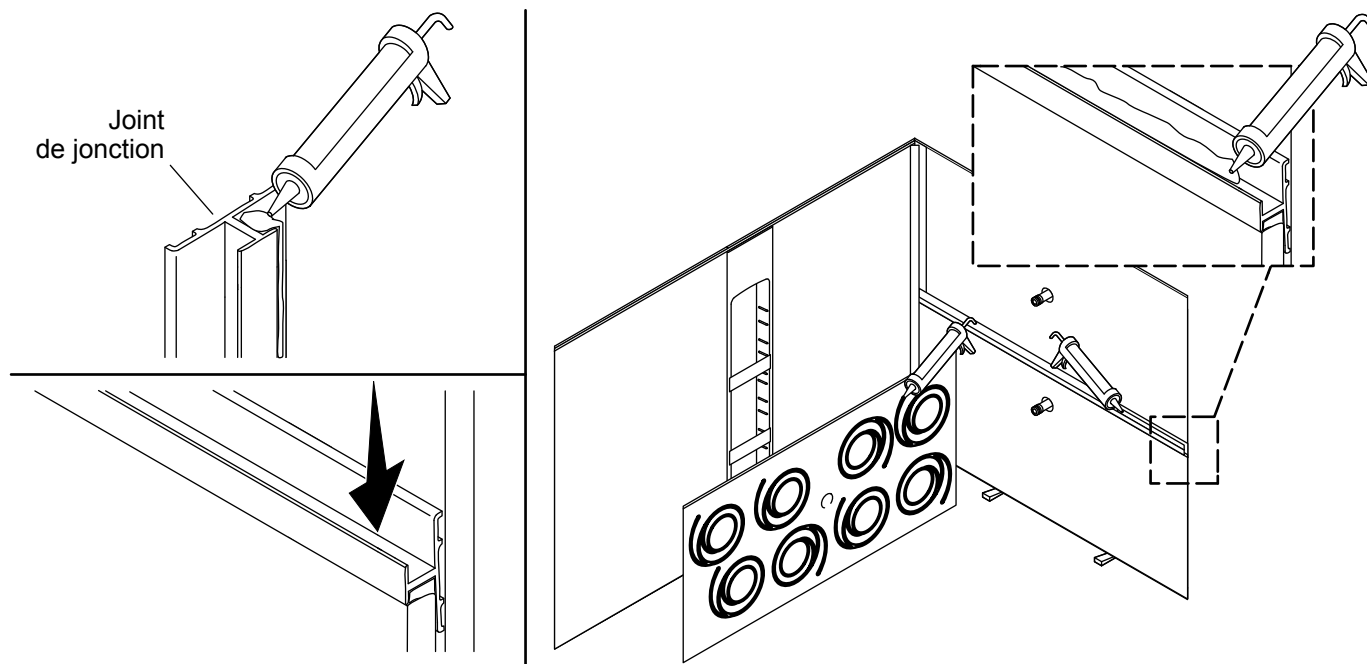


REMARQUE : Utiliser de l'adhésif à la silicone si les panneaux muraux sont installés sur du carrelage. Pour toutes les autres applications, utiliser le type d'adhésif spécifié dans les instructions accompagnant les murs de la douche.

REMARQUE : Il sera peut-être nécessaire de maintenir le panneau mural en place, en fonction du matériau de mur brut et de l'adhésif utilisés.

- Appliquer de l'adhésif sur le panneau mural latéral dans un motif circulaire. Les boudins de l'adhésif doivent être espacés de 5 po (127 mm) à 7 po (178 mm).
- Appliquer un boudin d'adhésif le long des bords du panneau mural arrière à 3/4 po (19 mm) du bord.
- Mettre le panneau mural en place à un léger angle en enfonçant le panneau mural dans le joint de coin, s'il est installé.
- Pousser le panneau mural contre le mur brut. Appuyer fermement et de manière uniforme à travers le panneau mural au complet. Le panneau mural doit entrer en contact avec le mur brut le long de toute la surface.

17. Installer le deuxième panneau mural latéral



Installer le joint de jonction

- Remplir un canal du joint de jonction avec du mastic à la silicone de couleur assortie.
- Installer le joint de jonction dans le panneau mural latéral déjà installé. Si des joints de coins ont été installés, enfoncer le joint de jonction dans le joint de coin.
- Appliquer du mastic à la silicone de couleur assortie sur le deuxième canal du joint de jonction.

Installer le deuxième panneau mural latéral

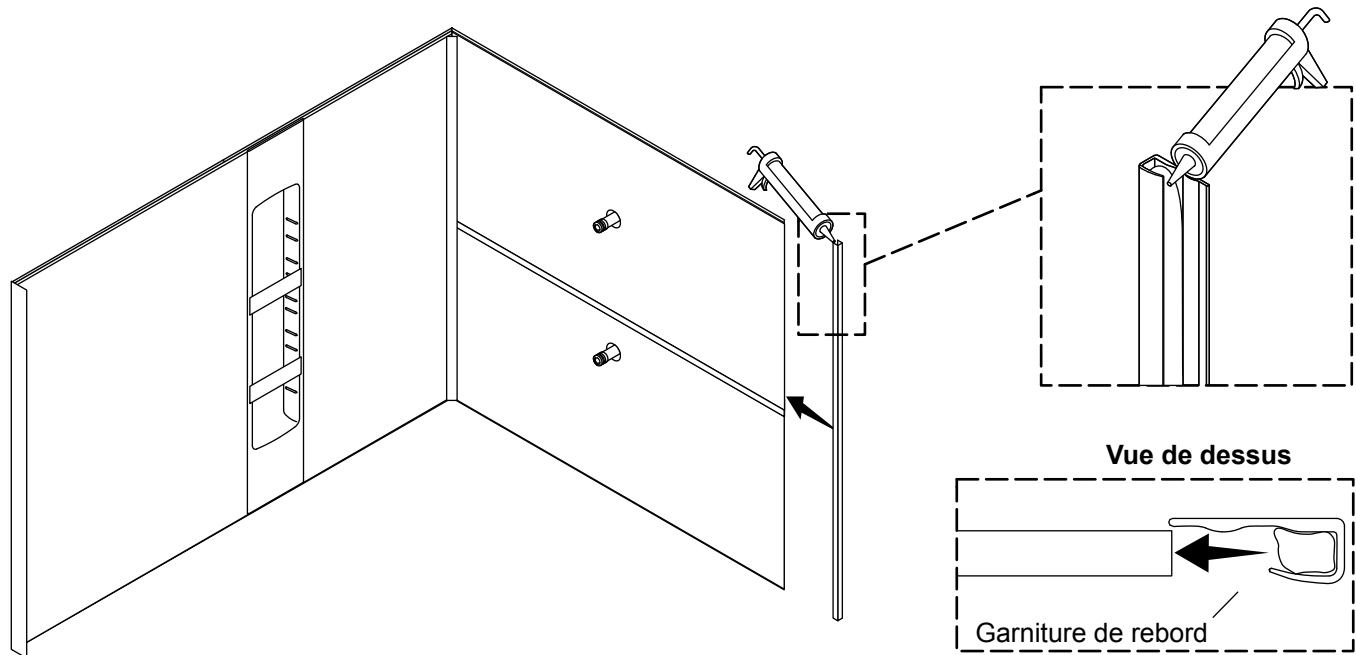
REMARQUE : Utiliser de l'adhésif à la silicone si les panneaux muraux sont installés sur du carrelage. Pour toutes les autres applications, utiliser le type d'adhésif spécifié dans les instructions accompagnant les murs de la douche.

- Appliquer de l'adhésif sur le panneau mural latéral dans un motif circulaire. Les boudins de l'adhésif doivent être espacés de 5 po (127 mm) à 7 po (178 mm).
- Appliquer un boudin d'adhésif le long des bords du panneau mural arrière à 3/4 po (19 mm) du bord.
- Amener le panneau mural latéral en position en enfonçant d'abord le panneau mural latéral dans le joint de jonction, puis en glissant le panneau mural dans le joint de coin s'il est installé.
- Pousser le panneau mural contre le mur brut. Appuyer fermement et de manière uniforme à travers le panneau mural au complet. Le panneau mural doit entrer en contact avec le mur brut le long de toute la surface.
- Retirer l'excès d'adhésif avec le doigt.

REMARQUE : Il sera peut-être nécessaire de maintenir le panneau mural en place, en fonction du matériau de mur brut et de l'adhésif utilisés.

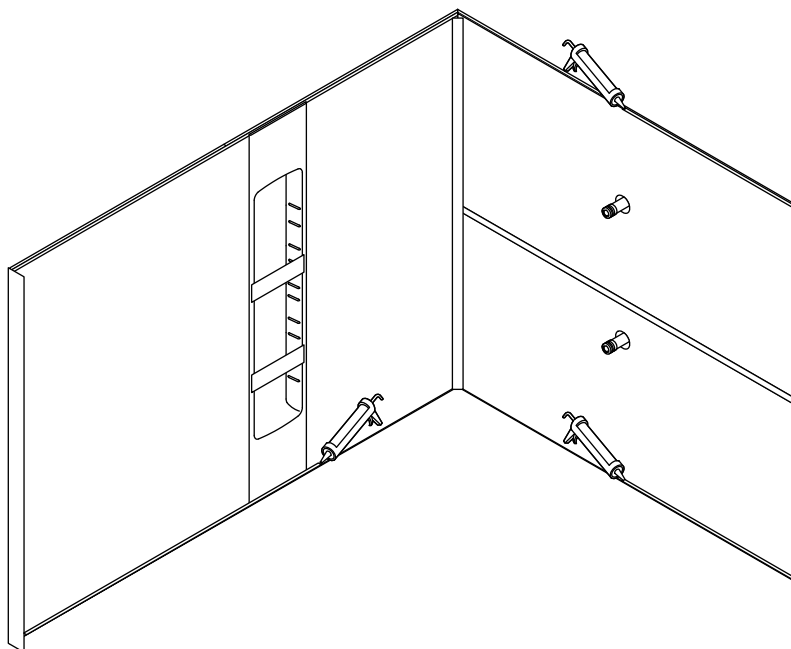
- Lors d'une installation sur du carrelage, utiliser un renfort temporaire pour fixer chaque panneau mural en place pendant 48 heures afin de permettre une adhésion complète.
- Répéter ces étapes avec le deuxième côté de l'enceinte.

18. Installer la garniture de bordure (optionnel)



- Si l'on installe une garniture de bordure sur les bords extérieurs du panneau mural, mesurer la hauteur du panneau mural.
- Transférer la mesure sur la garniture de bordure.
- Couper la garniture de bordure.
- Appliquer du mastic à la silicone de couleur assortie sur le canal de la garniture de bordure.
- Installer la garniture de bordure sur le bord extérieur du panneau mural.
- Répéter la procédure pour le deuxième côté.
- Retirer l'excès de mastic avec le doigt.

19. Sceller l'enceinte



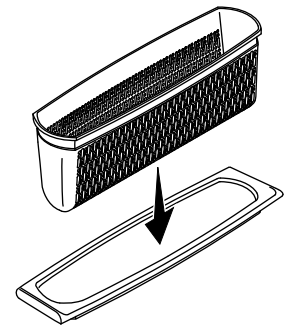
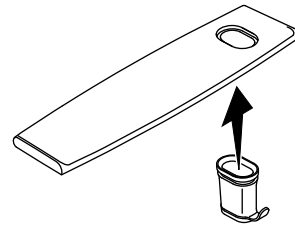
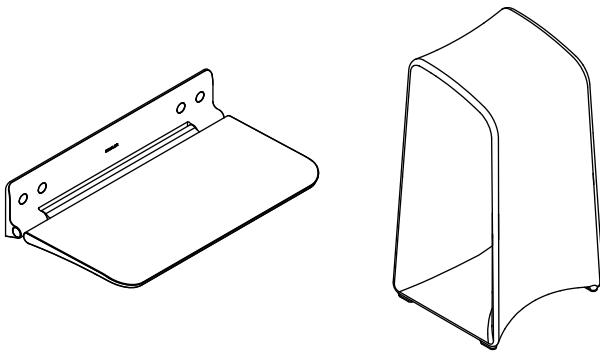
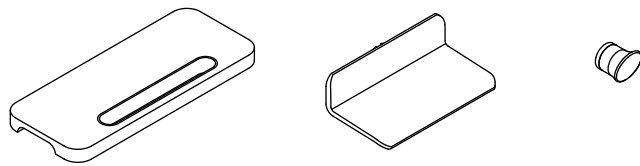
IMPORTANT! Pour mieux réussir l'adhésion, laisser les panneaux sécher pendant 24 à 48 heures avant d'exécuter les étapes finales. Le scellement du haut et du bas restreint le débit d'air et se traduit par un temps de séchage plus long.

- Appliquer du mastic sur les joint supérieurs à l'emplacement où les panneaux entrent en contact avec le mur brut.
- Appliquer du mastic sur les joints inférieurs à l'emplacement où les panneaux entrent en contact avec la base de la baignoire ou de la douche.

REMARQUE : Attendre 24 heures avant de prendre une douche ou de faire couler l'eau.

- Retirer le ruban de l'ensemble casier une fois que l'adhésif et le mastic de l'ensemble casier et des panneaux muraux ont séché.

20. Terminer l'installation



- Installer tous les accessoires conformément aux instructions accompagnant les produits.
- Préparer les étagères avec les accessoires.
- Enfoncer le crochet dans l'étagère comme sur l'illustration ci-dessus.
- Enfoncer le panier dans l'étagère comme sur l'illustration ci-dessus.

CONSEIL : Lors de la préparation des deux étagères, utiliser de l'eau et du savon pour faciliter le guidage du crochet et du panier dans les étagères.

- Installer les étagères dans l'ensemble casier.

Instrucciones de instalación

Estantería con paneles murales y uniones

Gracias por elegir productos KOHLER

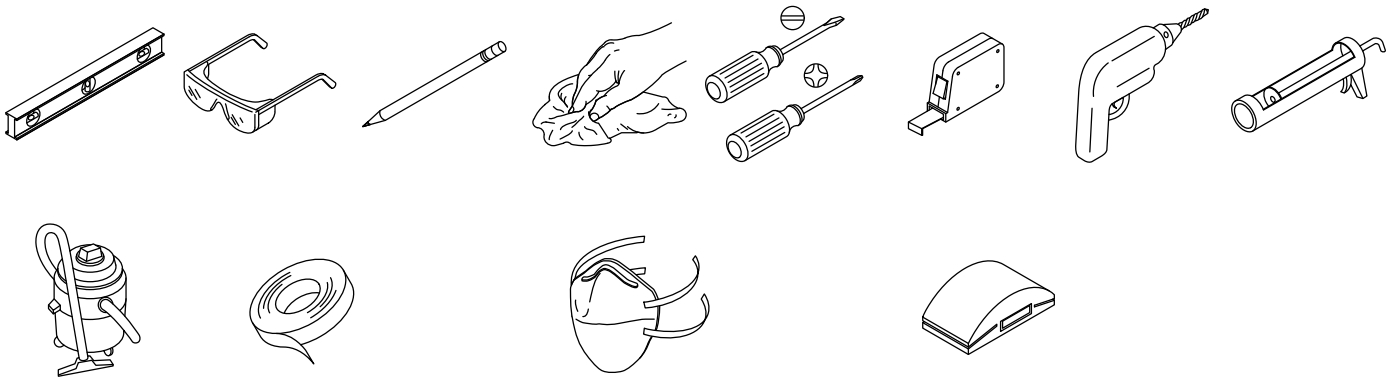
¿Necesita ayuda? Comuníquese con nuestro Centro de Atención al Cliente.

- EE. UU./Canadá: 1-800-4KOHLER (1-800-456-4537) México: 001-800-456-4537
- **Piezas de repuesto:** kohler.com/serviceparts
- **Cuidado y limpieza:** kohler.com/clean
- **Patentes:** kohlercompany.com/patents

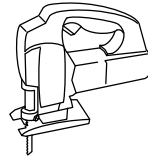
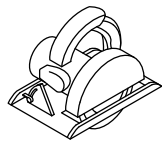
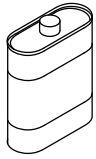
Garantía

A este producto lo cubre la **garantía limitada de diez años para paneles murales y accesorios Choreograph® de KOHLER®**, que puede consultarse en kohler.com/warranty. Si lo desea, solicite al Centro de Atención al Cliente una copia impresa de los términos de la garantía.

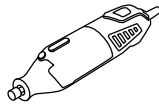
Herramientas y materiales



Cinta de enmascarar Protección al sistema respiratorio Bloque con papel de lija



Alcohol desnaturalizado Sierra circular de 7-1/4 pulg Sierra caladora eléctrica



Herramienta rotativa de alta velocidad con disco de corte

Más:

- Herramientas normales para trabajo en madera
- Refuerzos cargados a resorte o maderos (para crear los refuerzos)
- 1 a 2 tubos de sellador 100 % de silicona del mismo color
- 8+ tubos de sellador de silicona de color claro (para instalaciones sobre azulejo)
- Caballetes
- Lona
- Papel de lija con grano de 120

Antes de comenzar

⚠ AVISO: Riesgo de lesiones graves. Al hacer cortes o al taladrar, use anteojos de seguridad y protección para el sistema respiratorio.

⚠ PRECAUCIÓN: Riesgo de lesiones personales. En instalaciones con paneles de techo, instale los paneles de techo (cielo raso) y permita que se seque el adhesivo antes de instalar los paneles murales. Los paneles de techo (cielo raso) podrían caerse al instalar los paneles murales si no se deja suficiente tiempo para que el adhesivo se seque y cure.

⚠ PRECAUCIÓN: Riesgo de daños al producto. Los paneles murales deben estar a temperatura ambiente antes de recortarlos. Permita que la temperatura se estabilice si los paneles murales estaban en un ambiente frío.

¡IMPORTANTE! Se genera polvo al cortar los paneles murales y la unidad de estantería. Recorte la estantería a la intemperie o en un área bien ventilada.

¡IMPORTANTE! Para obtener mejores resultados, recorte los paneles murales de acuerdo a las instrucciones que se incluyen con los mismos.

¡IMPORTANTE! Deje este manual para el usuario final.

Lea estas instrucciones antes de instalar o de usar este producto.

En la unidad de estantería solo debe recortarse la altura. No recorte los lados.

Verifique que las paredes sin acabar actuales estén a menos de 3/8" (10 mm) de estar a plomo.

La unidad de estantería debe reforzarse con maderos de 2x4 pulgadas alrededor de toda la unidad.

Use sellador de silicona del mismo color en las uniones y en las juntas.

Para evitar daños, cubra la base de ducha con una lona o con otro material protector.

Siga las instrucciones de aplicación y de tiempo de secado del adhesivo y del sellador de silicona.

Revise todos los componentes después de desempacarlos y antes de instalarlos, para ver si están dañados.

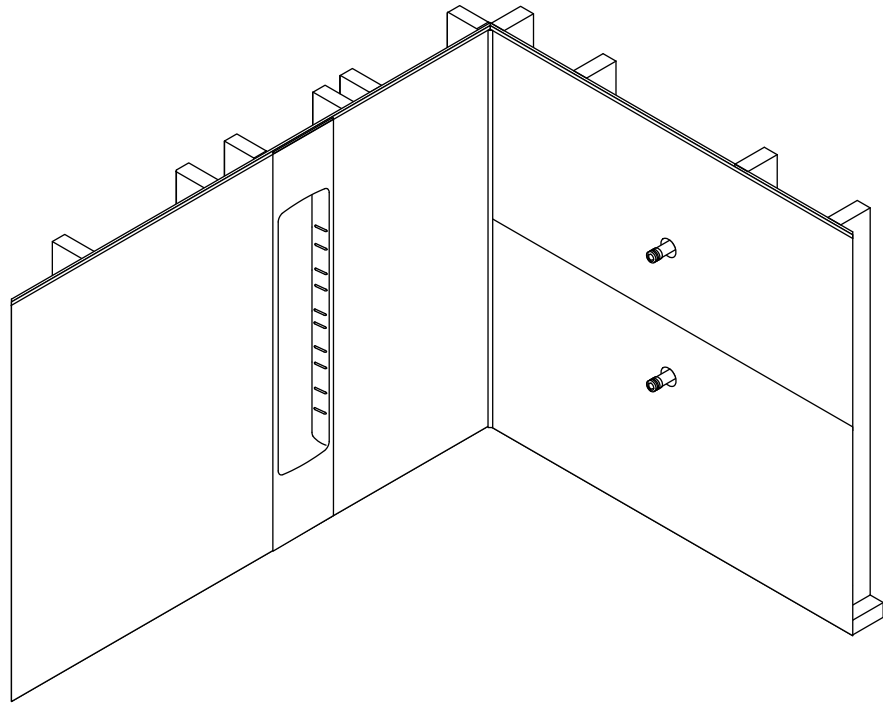
Se puede usar una rebajadora o fresadora para recortar los paneles murales y la unidad de estantería. La broca de la rebajadora o fresadora pierde el filo rápidamente.

Si va a instalar los paneles murales sobre azulejo ya instalado, raspe ligeramente los azulejos con papel de lija con grano 100 para mejorar el contacto del adhesivo.

Si va a instalar accesorios, instale refuerzos de 2x4 pulgadas para agarraderas, estantes y ganchos, y refuerzos de 2x10 pulgadas para el asiento abatible.

Planee la instalación

ES



Accesorios

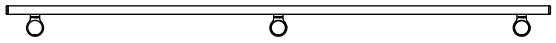
Agarradera de 24" (610 mm)



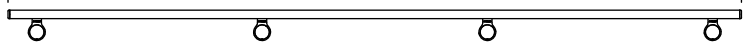
Agarradera de 36" (914 mm)



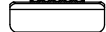
Agarradera de 40" (1016 mm)



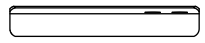
Agarradera de 54" (1372 mm)



Estante



Estante



Estante



○ Gancho

NOTA: Determine qué accesorios va a instalar, y dónde lo hará, antes de instalar material de refuerzo de panel de yeso, ya que es posible que los accesorios requieran refuerzos de madera.

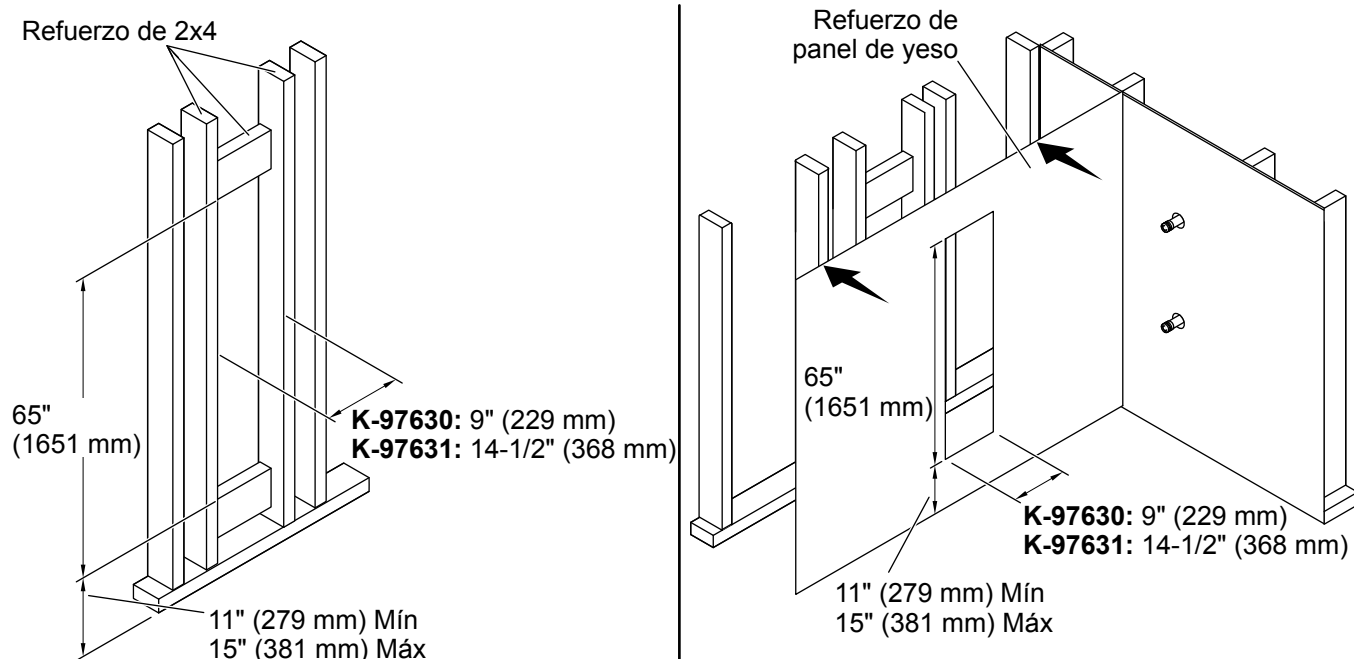
Instale todos los refuerzos que sean necesarios.

Se requieren refuerzos de maderos de 2x4 pulgadas para el gancho, a menos que se instale contra los postes de madera.

Se requieren refuerzos de maderos de 2x4 pulgadas para todas las agarraderas y todos los estantes.

Se requieren refuerzos de maderos de 2x10 pulgadas para el asiento abatible.

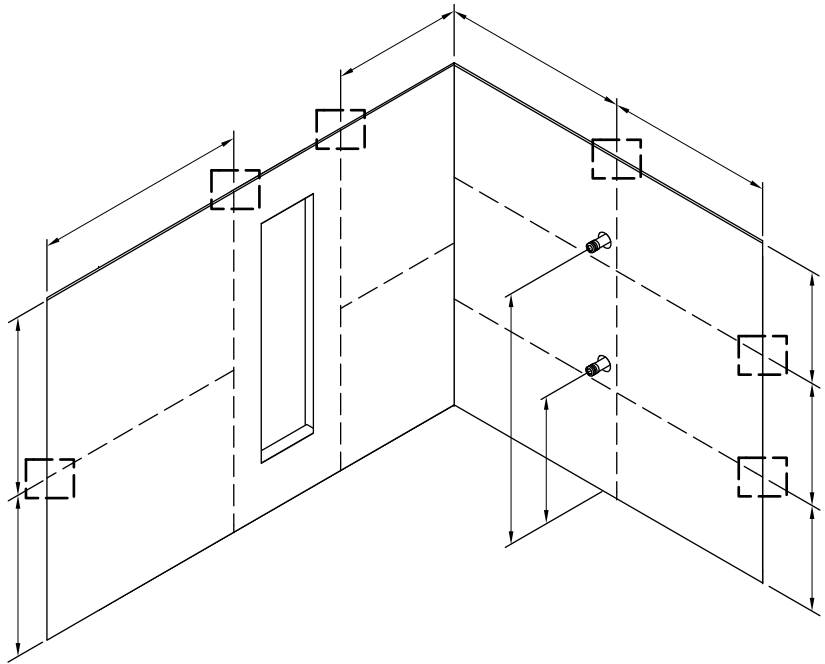
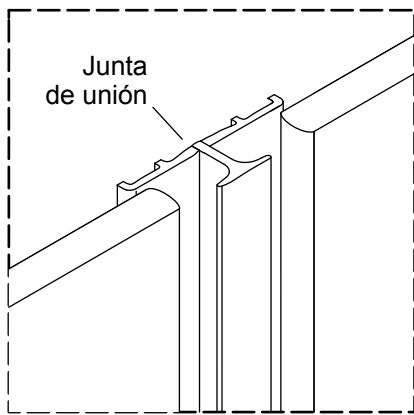
1. Prepare el sitio



¡IMPORTANTE! Recomendamos material de refuerzo para paneles de yeso resistentes al agua.

- Instale el tendido de plomería para los componentes de la bañera y de la ducha.
- Verifique que los postes de madera estén a plomo. Los postes de madera deben estar a menos de 3/8" (10 mm) de estar a plomo. Utilice cuñas de ser necesario.
- Determine la altura del recinto y de la unidad de estantería.
- Instale refuerzos de maderas de 2x4 pulgadas donde se vaya a colocar la unidad de estantería, de acuerdo a las dimensiones que se indican arriba.
- Instale soportes de refuerzo para todos los accesorios que requieran soporte adicional. Consulte las necesidades específicas de instalación en las guías de instalación empacadas con cada producto.
- Instale material de refuerzo de panel de yeso sobre la abertura de la unidad de estantería con las mismas dimensiones que el recorte de los refuerzos de maderos de 2x4 pulgadas.

2. Mida componentes



- Determine si habrá uniones verticales u horizontales más allá de las esquinas. Haga un pedido de las juntas de unión opcionales que vaya a necesitar.
- Determine si se va a instalar guarnición de borde. Haga un pedido de la guarnición de borde opcional que vaya a necesitar.
- Mida el área de instalación para determinar las dimensiones de corte de los paneles.


Medición de pared posterior

- Reste $1/16''$ (2 mm) del ancho de cada uno de los paneles murales posteriores para las juntas de unión de la unidad de estantería.
- Reste $1/16''$ (2 mm) de la altura o del ancho de los paneles murales por cada junta de unión.
- Reste la mitad del ancho total de la unidad de estantería del ancho de cada uno de los paneles murales posteriores.
- Si se van a instalar juntas esquineras, reste $1/16''$ (2 mm) del ancho de los paneles posteriores en cada junta esquinera.
- Marque las líneas de corte en el lado posterior del panel posterior.

Medición de pared lateral

- Si se van a instalar juntas esquineras, antes de cortar reste $5/16''$ (8 mm) del ancho de cada panel mural lateral.
- Reste $1/16''$ (2 mm) de la altura o del ancho de cada panel mural por cada junta de unión que se vaya a instalar.
- Anote el lugar para la manija, la cabeza de ducha, el surtidor de la bañera, y otros componentes.
- Marque las líneas de corte en el lado posterior de los paneles murales laterales.

3. Instalación con paneles de techo (cielo raso) (opcional)

 **PRECAUCIÓN: Riesgo de lesiones personales.** En instalaciones con paneles de techo, instale los paneles de techo (cielo raso) y permita que se seque el adhesivo antes de instalar los paneles murales. Los paneles de techo (cielo raso) podrían caerse al instalar los paneles murales si no se deja suficiente tiempo para que el adhesivo se seque y cure.

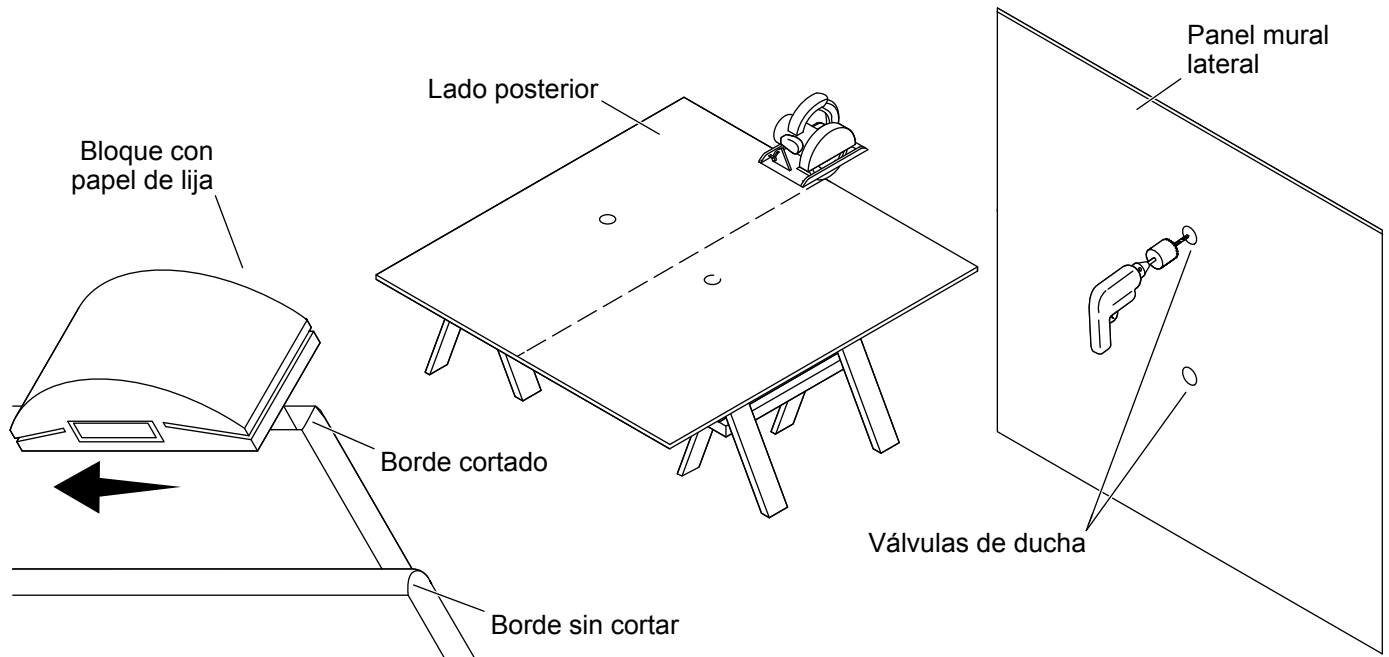
NOTA: Se necesitan 2 personas para instalar un panel de techo.

- Si se va a cubrir el techo (cielo raso) con material de panel, mida y corte el panel de techo al tamaño adecuado.
- Construya una estructura de refuerzos, o use estructuras de refuerzos comerciales, para sostener el material del techo o cielo raso en su lugar mientras se seca el adhesivo.

NOTA: Recomendamos usar adhesivo derivado del poliuretano para el panel de techo.

- Aplique el adhesivo especificado en las instrucciones de los paneles murales al material del techo (cielo raso), como se indica en la sección "Instale el primer panel mural".
- Con otra persona, levante con cuidado el panel de techo hasta su lugar.
- Sujete el panel de techo contra el techo o cielo raso, y deje que se seque el adhesivo de acuerdo a las instrucciones del mismo.

4. Recorte la unidad de estantería y los paneles murales



Colocación de paneles murales cortados

¡IMPORTANTE! El borde de corte del panel DEBE colocarse opuesto a la unión. El borde vertical de la unión DEBE acoplarse a un borde moldeado biselado sin cortar en el panel.

NOTA: Se puede usar una junta de unión entre paneles, pero los requisitos para la ubicación del borde recortado siguen en pie.

Corte de los paneles murales y de la unidad de estantería

¡IMPORTANTE! Siga las instrucciones que se incluyen con los paneles murales.

¡IMPORTANTE! No recorte los lados de la unidad de estantería. Solo recorte la parte superior o inferior para ajustarse a la altura del panel mural.

¡IMPORTANTE! La unidad de estantería debe colocarse con las ranuras para estantes anguladas hacia arriba. Si la unidad de estantería se coloca de cabeza, los estantes se caerán.

- Coloque el panel mural posterior de cara hacia abajo sobre un atril o caballetes cubiertos con material protector.
- Corte el panel mural posterior a las dimensiones requeridas.
- Repita este procedimiento en los paneles murales laterales.

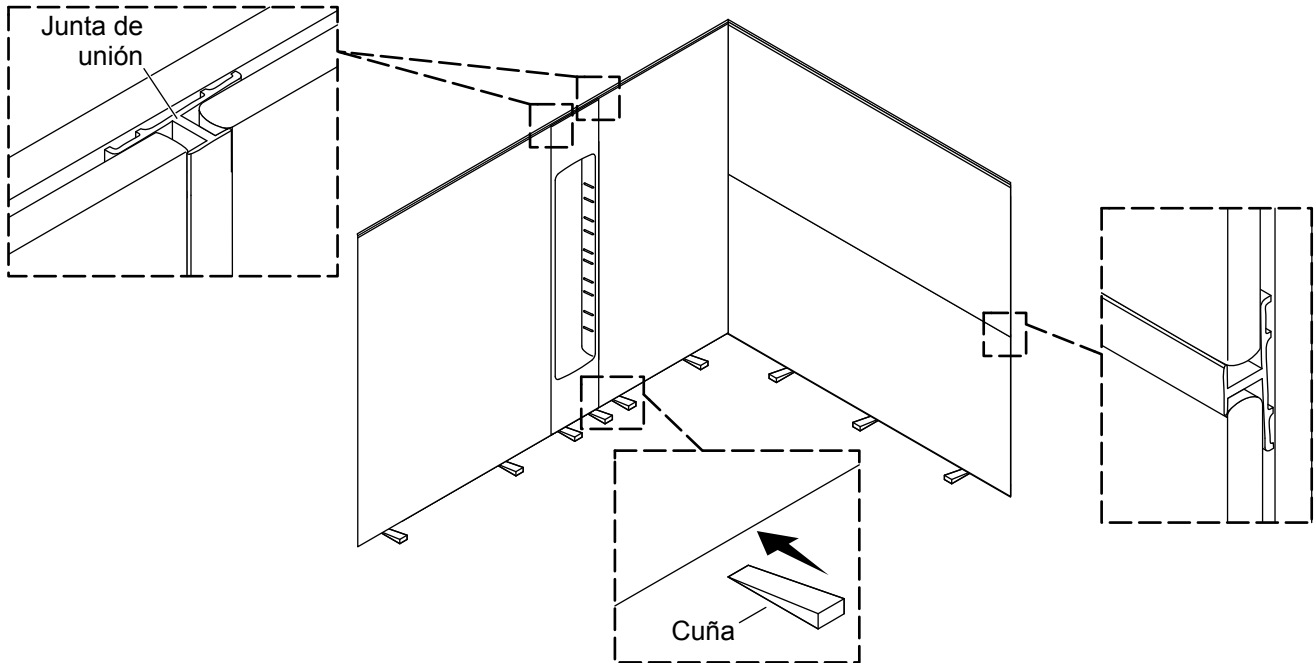
NOTA: Antes de cortar, retire todas las películas protectoras de la superficie de la unidad de estantería.

- Corte la unidad de estantería a las dimensiones requeridas de altura con una cuchilla de dientes finos.
- Desde el lado delantero del panel, recorte los orificios para las válvulas y otros componentes de la ducha con una broca tipo corona perforadora.

¡IMPORTANTE! Es crítico que los paneles murales y que la unidad de estantería estén limpios para que el adhesivo forme un enlace fuerte.

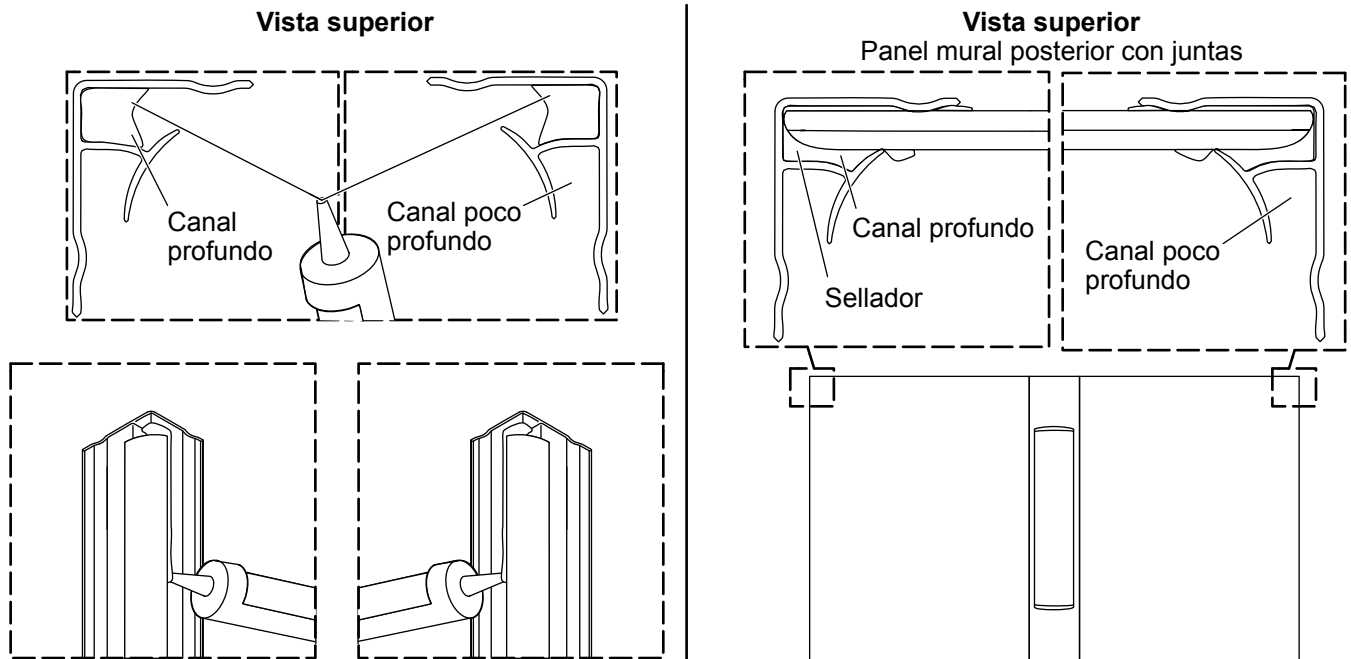
- En los bordes de cada panel, retire el exceso de material y alise los bordes ásperos con un bloque con papel de lija.
- Limpie la parte posterior de los paneles murales y de la unidad de estantería con alcohol desnaturalizado.

5. Coloque preliminarmente la estantería y los paneles murales



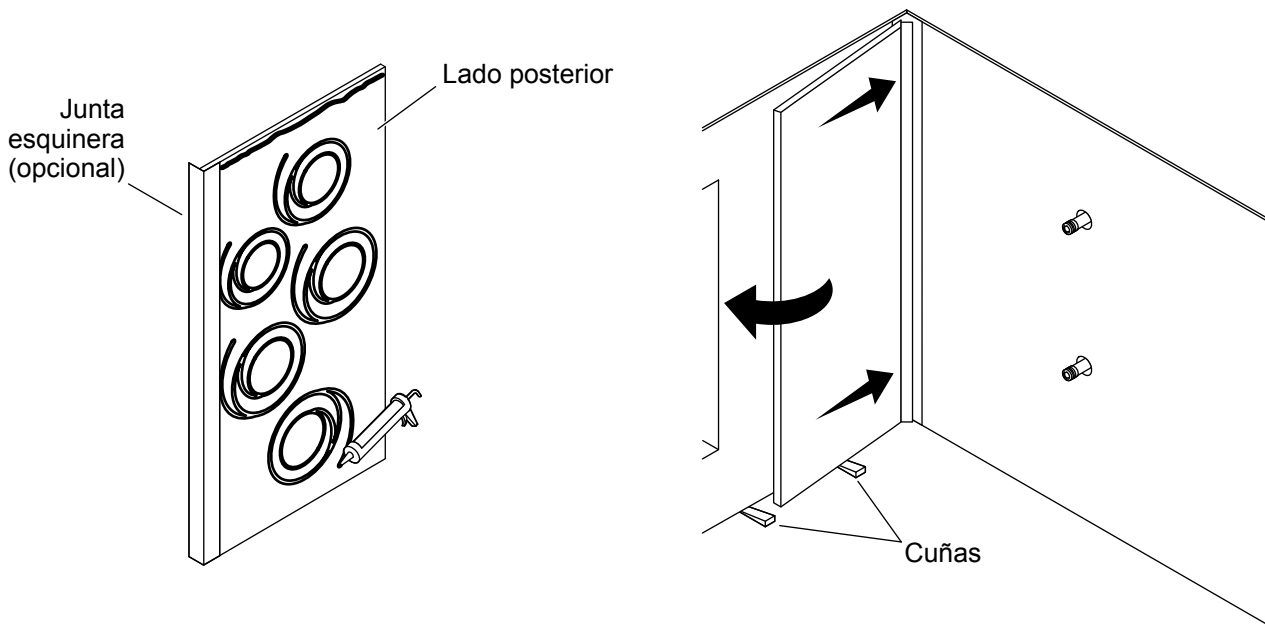
- Coloque preliminarmente las juntas esquineras a los paneles posteriores, si las va a instalar. Consulte "Instale las juntas esquineras (opcional)" para ver la orientación correcta.
- Coloque preliminarmente la unidad de estantería, las juntas de unión, los paneles posterior y laterales con cuñas, para confirmar que ajusten bien. Haga los ajustes necesarios.
- Retire los paneles y la unidad de estantería.
- Retire las juntas de unión y las juntas esquineras.

6. Instale las juntas esquineras (opcional)



- Mida la altura del panel mural posterior.
- Recorte la junta esquinera a la altura del panel mural posterior con una herramienta rotativa pequeña que tenga un disco de corte.
- Aplique sellador 100 % de silicona del mismo color en la canaleta profunda en la junta esquinera. Aplique suficiente sellador para llenar la mitad de la canaleta.
- Instale la canaleta profunda de la junta esquinera en el lado del panel mural posterior.
- No** aplique sellador ni instale la segunda junta esquinera mientras no esté listo para instalar el segundo panel mural posterior.

7. Instale el primer panel mural



NOTA: Use adhesivo de silicona si los paneles murales están siendo instalados sobre azulejo. En el resto de las aplicaciones, use el tipo de adhesivo especificado en las instrucciones que se incluyen con los paneles murales de la ducha.

- Aplique adhesivo al panel mural posterior en un patrón circular. Los hilos continuos de adhesivo deben estar separados entre 5" (127 mm) y 7" (178 mm) entre sí.
- Aplique un hilo continuo de adhesivo a lo largo del borde superior del panel mural posterior a 3/4" (19 mm) del borde.
- Mueva el panel mural a su lugar a un ángulo ligero con la junta esquinera, si la tiene instalada, completamente contra la esquina.
- Empuje el panel contra la pared sin acabado. Oprima con firmeza y de manera uniforme en todo el panel. El panel debe hacer contacto completamente con la pared sin acabado.

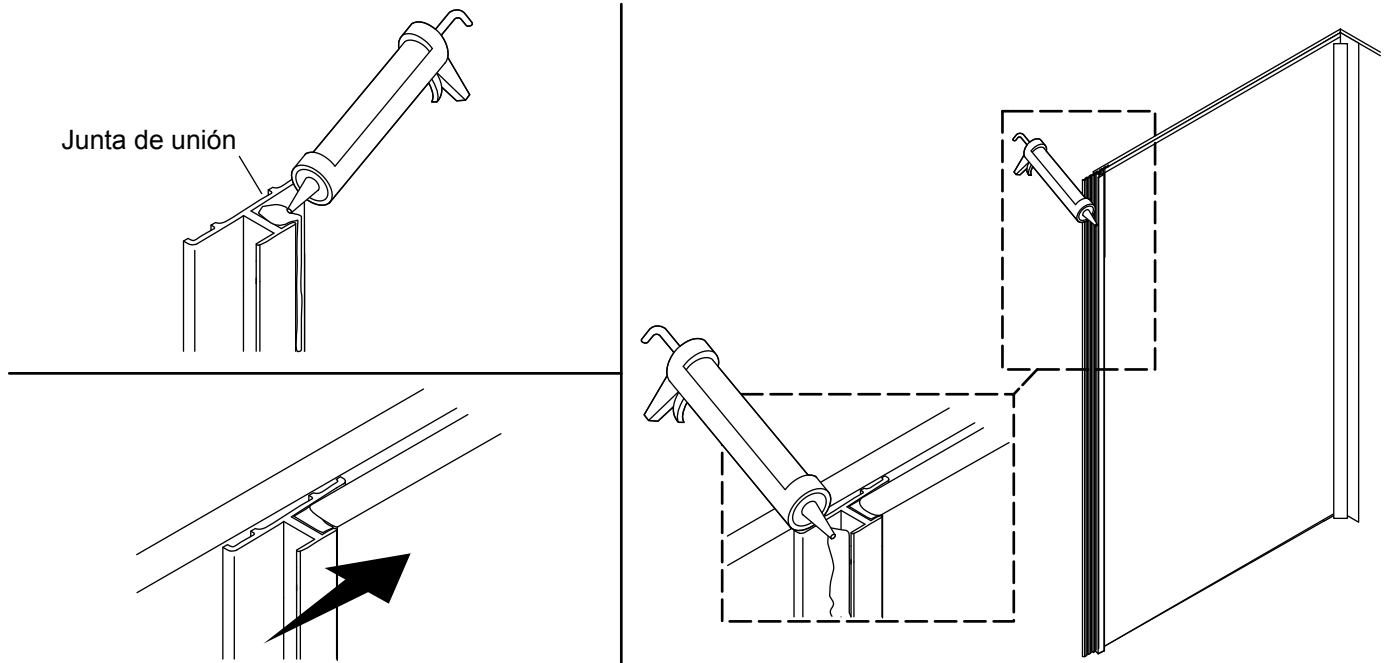
CONSEJO: Para quitar el exceso de adhesivo, rocíe alcohol desnaturalizado en el área a ser limpiada y en su dedo. El alcohol desnaturalizado ayuda a quitar el adhesivo con mayor facilidad.

- Retire el exceso de adhesivo con el dedo.

NOTA: Es posible que se requieran refuerzos para sostener el panel mural en su lugar, de acuerdo al material de la pared sin acabado y al adhesivo que se esté usando.

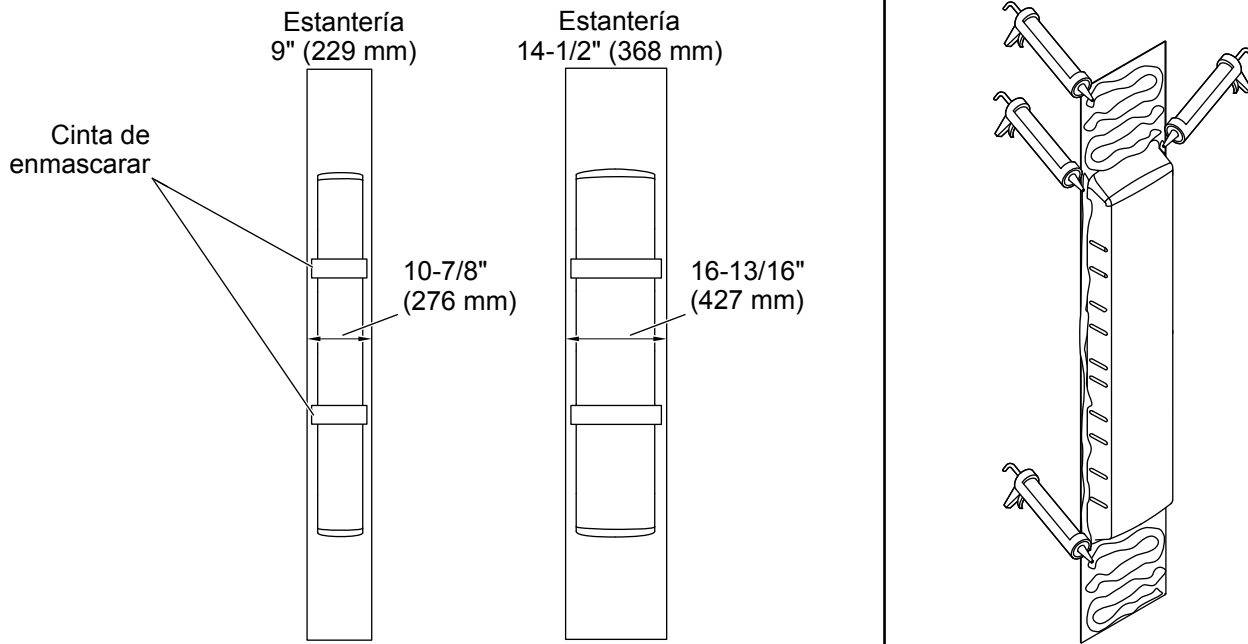
- Cuando instale sobre azulejo, use un refuerzo temporal para fijar cada panel mural en su lugar durante 48 horas, y que así la adhesión sea total.

8. Instale la primera junta de unión



- Llene una canaleta en el lado de la pared de la junta de unión con sellador de silicona del mismo color.
- Instale la junta de unión en el panel mural posterior ya instalado.
- Aplique sellador de silicona del mismo color a la segunda canaleta de la junta de unión cuando esté listo para instalar la unidad de estantería.

9. Prepare la unidad de estantería

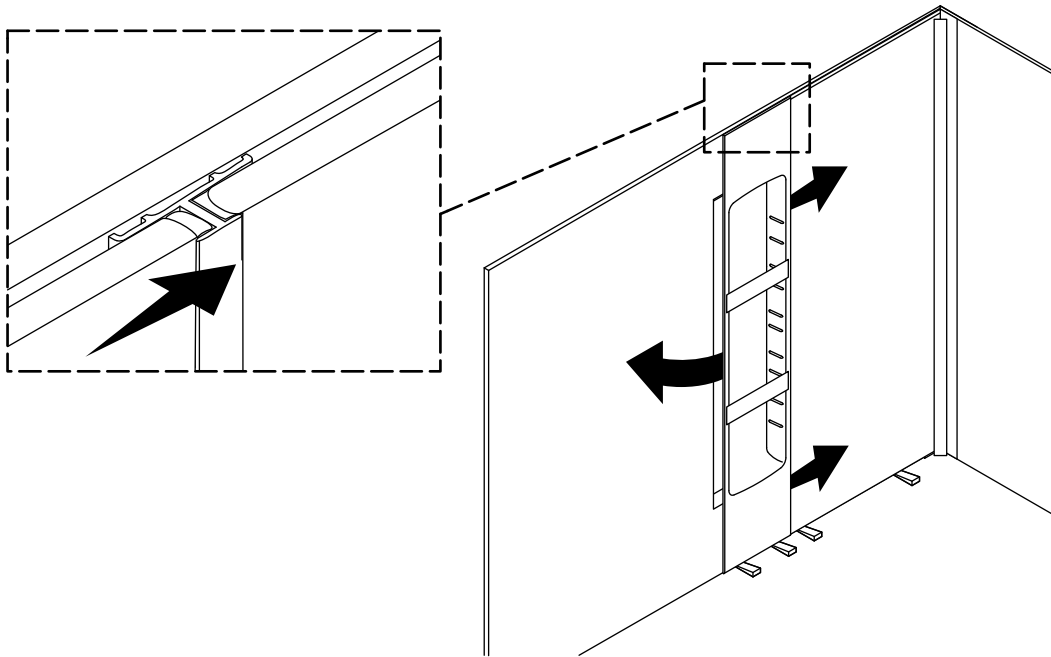


- Aplique dos trozos de cinta de enmascarar a través del frente a la unidad de estantería, y tire de los lados hacia dentro hasta que el centro de la unidad de estantería quede a las dimensiones que se indican arriba.
- Pruebe para ver si ajusta la estantería en los juegos de ranuras justo arriba y abajo de las áreas con cinta de enmascarar de la unidad de estantería. Verifique que la estantería ajuste bien. Si la estantería queda suelta, apriete la cinta de enmascarar a través de la unidad de estantería hasta que ajuste bien.
- Deje la cinta de enmascarar en su lugar hasta el paso final de la instalación.
- Limpie la parte posterior de la unidad de estantería con alcohol desnaturalizado, y pule la parte posterior de la unidad con papel de lija con grano de 120 para mejorar la adhesión.

CONSEJO: Es posible que el adhesivo derivado de uretano sea más efectivo para la adhesión de la unidad de estantería.

- Aplique bastante adhesivo de construcción para bañeras y duchas, o adhesivo de silicona, a la parte posterior de la unidad de estantería en la parte superior, inferior, y en los lados.

10. Instale la unidad de estantería

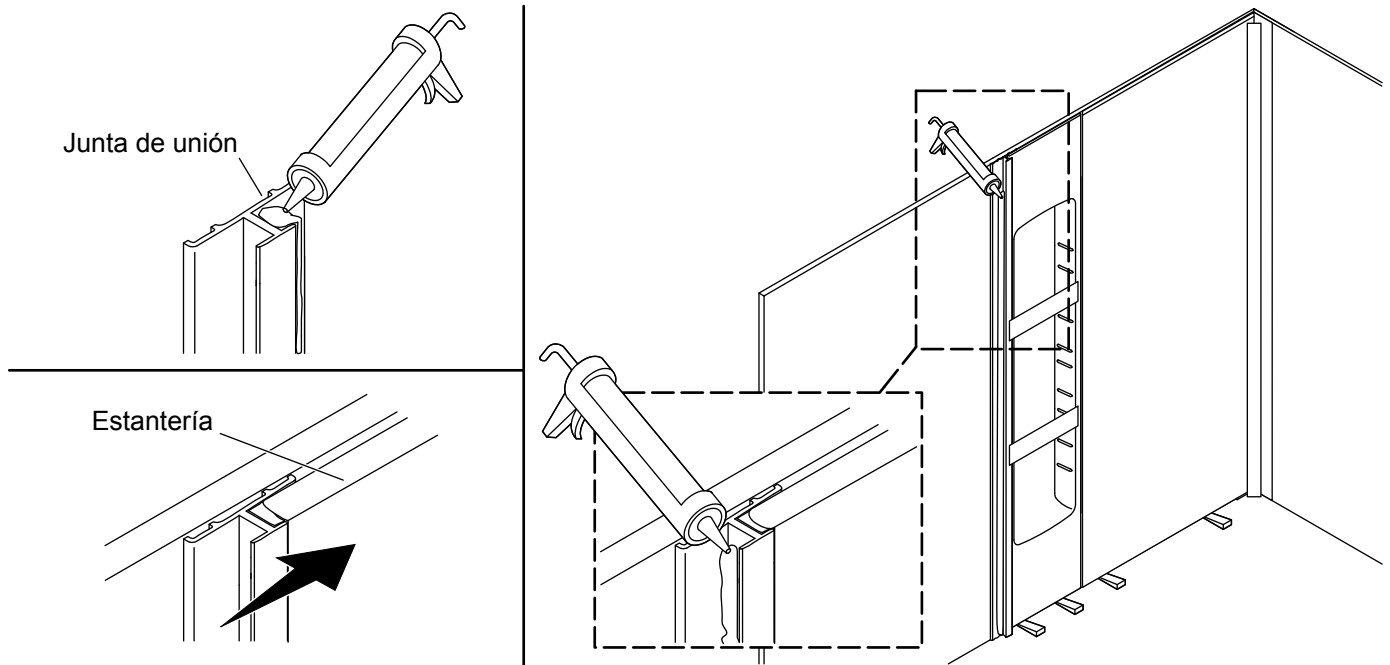


¡IMPORTANTE! La unidad de estantería debe colocarse con las ranuras para estantes anguladas hacia arriba. Si la unidad de estantería se coloca de cabeza, los estantes se caerán.

- Coloque la unidad de estantería en su lugar a un ligero ángulo.
- Empuje la unidad de estantería contra la junta de unión ya instalada y hacia la pared sin acabar. Oprima con firmeza y de manera uniforme toda la unidad de estantería.

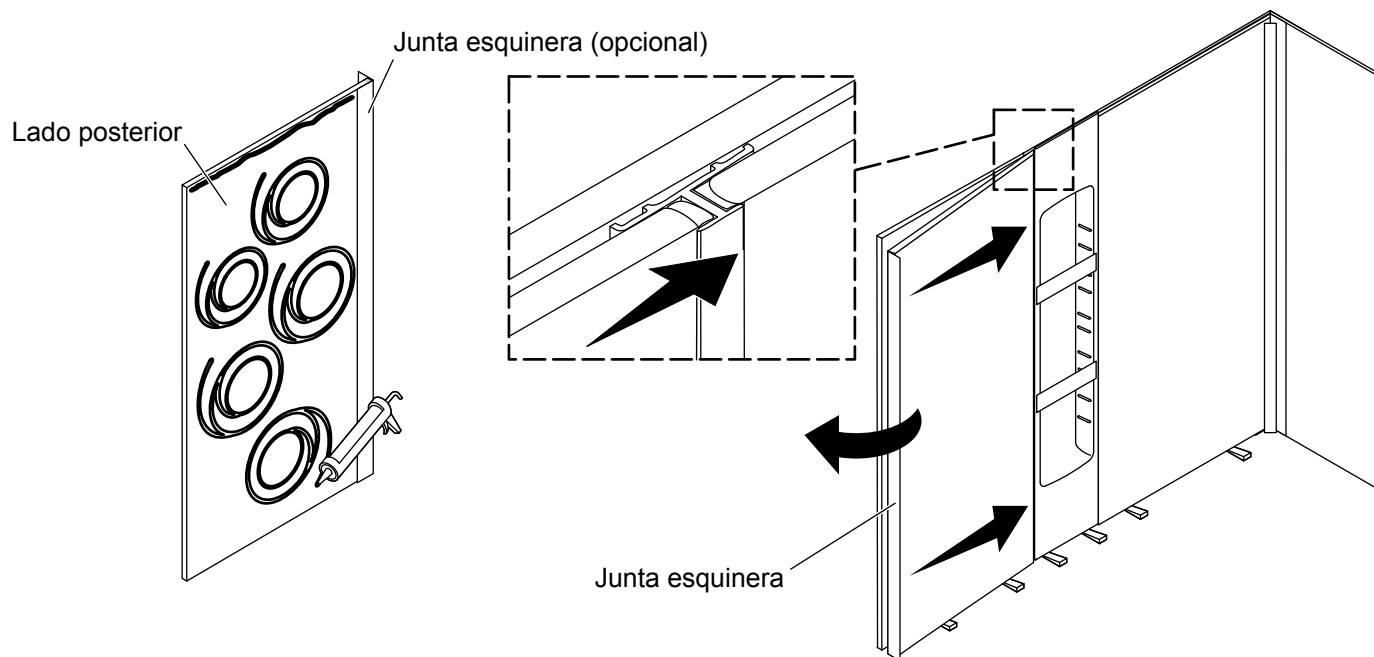
11. Instale la segunda junta de unión

ES



- Llene una canaleta en el lado de la estantería de la junta de unión con sellador de silicona del mismo color.
- Instale la junta de unión en la unidad de estantería ya instalada.
- Aplique sellador de silicona del mismo color a la segunda canaleta de la junta de unión cuando esté listo para instalar el segundo panel mural posterior.

12. Instale el segundo panel mural



NOTA: Use adhesivo de silicona si los paneles murales están siendo instalados sobre azulejo. En el resto de las aplicaciones, use el tipo de adhesivo especificado en las instrucciones que se incluyen con los paneles murales de la ducha.

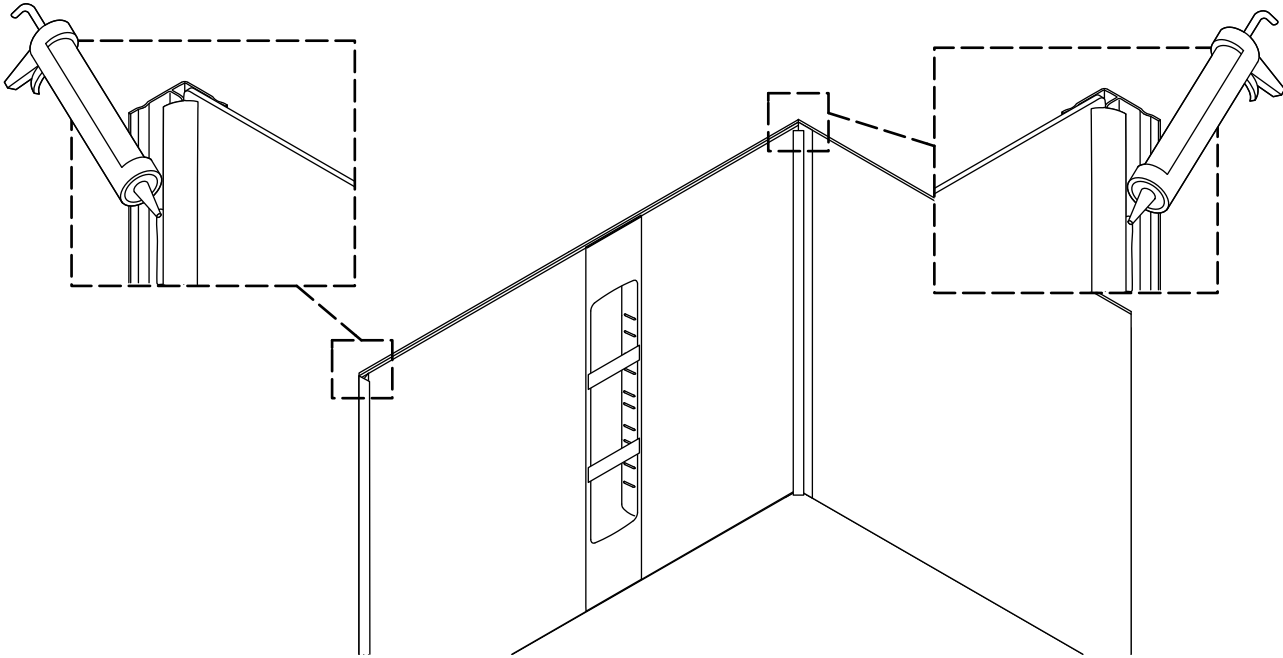
- Aplique adhesivo al panel mural posterior en un patrón circular. Los hilos continuos de adhesivo deben estar separados entre 5" (127 mm) y 7" (178 mm) entre sí.
- Aplique un hilo continuo de adhesivo a lo largo del borde superior del panel mural posterior a 3/4" (19 mm) del borde.
- Mueva el panel mural a su lugar a un ángulo ligero con la junta esquinera, si la tiene instalada, completamente contra la esquina.
- Empuje el panel mural contra la pared sin acabado. Oprima con firmeza y de manera uniforme en todo el panel mural. El panel mural debe hacer contacto con la pared sin acabado en toda el área.
- Empuje el panel contra la pared sin acabar y dentro de la junta de unión ya instalada. Oprima con firmeza y de manera uniforme en todo el panel. El panel debe hacer contacto con la pared sin acabado en toda el área.
- Confirme que la unidad de estantería haga contacto con las juntas de unión en toda el área.
- Retire el exceso de adhesivo con el dedo.

NOTA: Es posible que se requieran refuerzos para sostener el panel mural en su lugar, de acuerdo al material de la pared sin acabado y al adhesivo que se esté usando.

- Cuando instale sobre azulejo, use un refuerzo temporal para fijar cada panel mural en su lugar durante 48 horas, y que así la adhesión sea total.

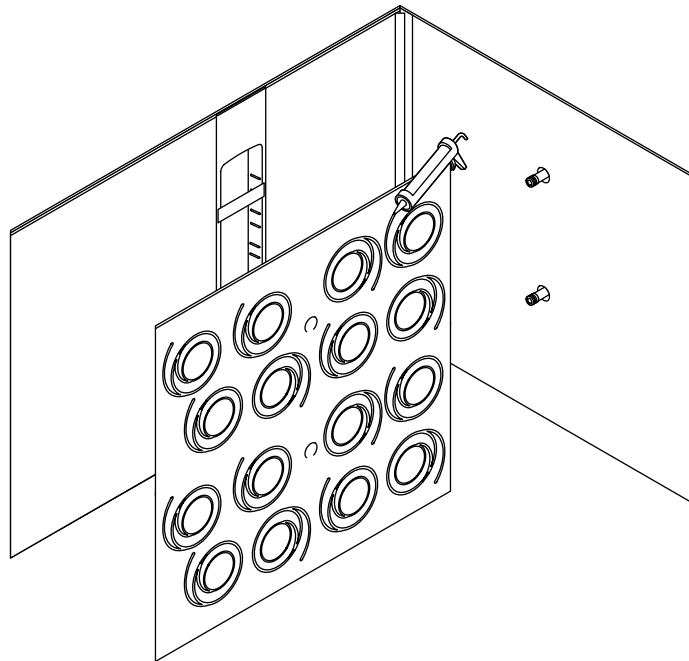
13. Prepare las juntas esquineras (opcional)

ES



- Aplique sellador del mismo color en la ranura de la canaleta poco profunda en la junta esquinera. Aplique suficiente sellador para llenar la mitad de la ranura.
- No** aplique sellador a la segunda junta esquinera mientras no esté listo para instalar el segundo panel mural posterior.

14. Instale los paneles murales laterales sin juntas



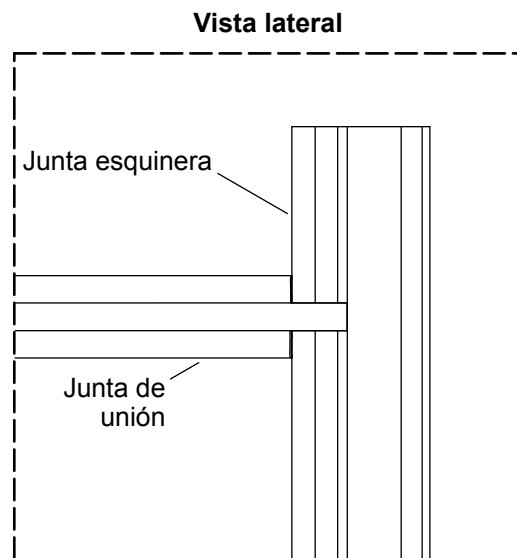
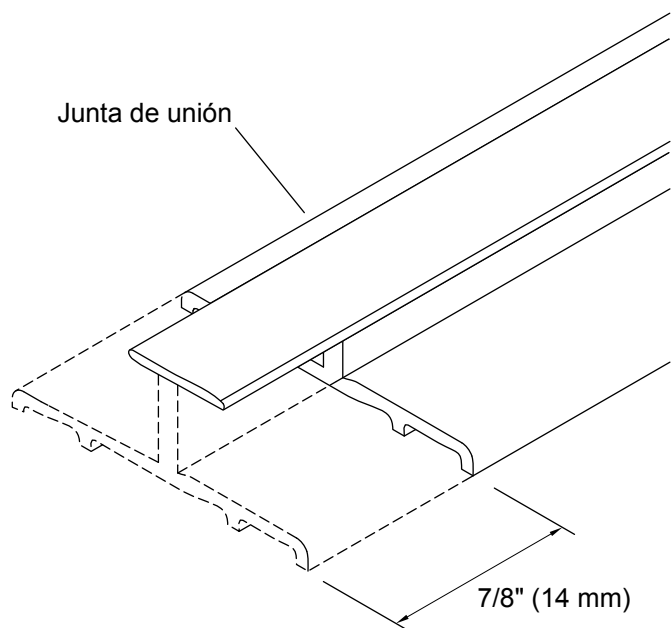
NOTA: Use adhesivo de silicona si los paneles murales están siendo instalados sobre azulejo. En el resto de las aplicaciones, use el tipo de adhesivo especificado en las instrucciones que se incluyen con los paneles murales de la ducha.

- Aplique adhesivo al panel mural lateral en un patrón circular. Los hilos continuos de adhesivo deben estar separados entre 5" (127 mm) y 7" (178 mm) entre sí.
- Aplique un hilo continuo de adhesivo a lo largo de los bordes del panel mural a 3/4" (19 mm) del borde.
- Mueva el panel mural a su lugar a un ángulo ligero, y oprima el panel mural contra la junta esquinera, si está instalada.
- Empuje el panel mural contra la pared sin acabado. Oprima con firmeza y de manera uniforme en todo el panel mural. El panel mural debe hacer contacto con la pared sin acabado en toda el área.
- Retire el exceso de adhesivo con el dedo.

NOTA: Es posible que se requieran refuerzos para sostener el panel mural en su lugar, de acuerdo al material de la pared sin acabado y al adhesivo que se esté usando.

- Cuando instale sobre azulejo, use un refuerzo temporal para fijar cada panel mural en su lugar durante 48 horas, y que así la adhesión sea total.
- Repita estos pasos en el segundo lado del recinto.

15. Prepare las juntas de unión



Instalación con juntas esquineras

- Para determinar la longitud requerida de junta de unión, mida el ancho del panel mural lateral, y deje suficiente longitud para que sobresalga 7/8" (14 mm) hacia el canal de la junta esquinera.

NOTA: Para recortar la junta de unión, recomendamos usar una pequeña herramienta rotativa con una rueda de corte.

- Recorte la junta de unión a la longitud requerida.
- Recorte el extremo de la junta de unión en el punto donde se encuentra con la junta esquinera, como se muestra.

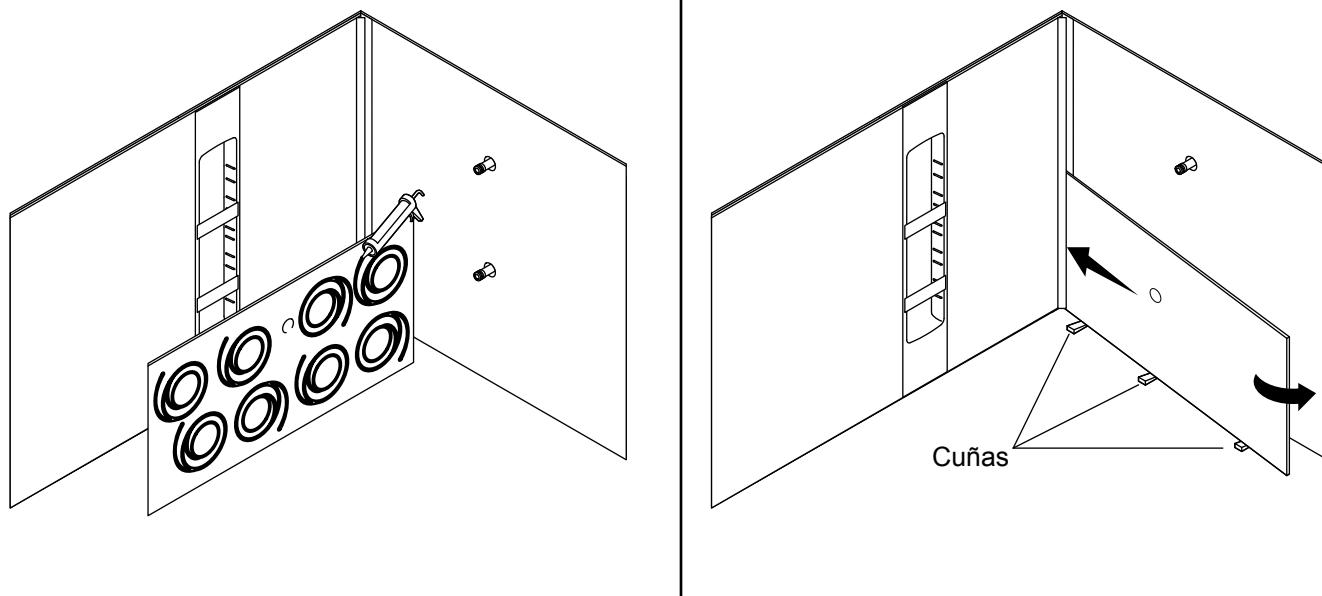
Instalación sin juntas esquineras

- Para determinar la longitud requerida de la junta de unión, mida el ancho del panel mural lateral.

NOTA: Para recortar la junta de unión, recomendamos usar una pequeña herramienta rotativa con una rueda de corte.

- Recorte la junta de unión a la longitud requerida.

16. Instale los paneles murales laterales con juntas

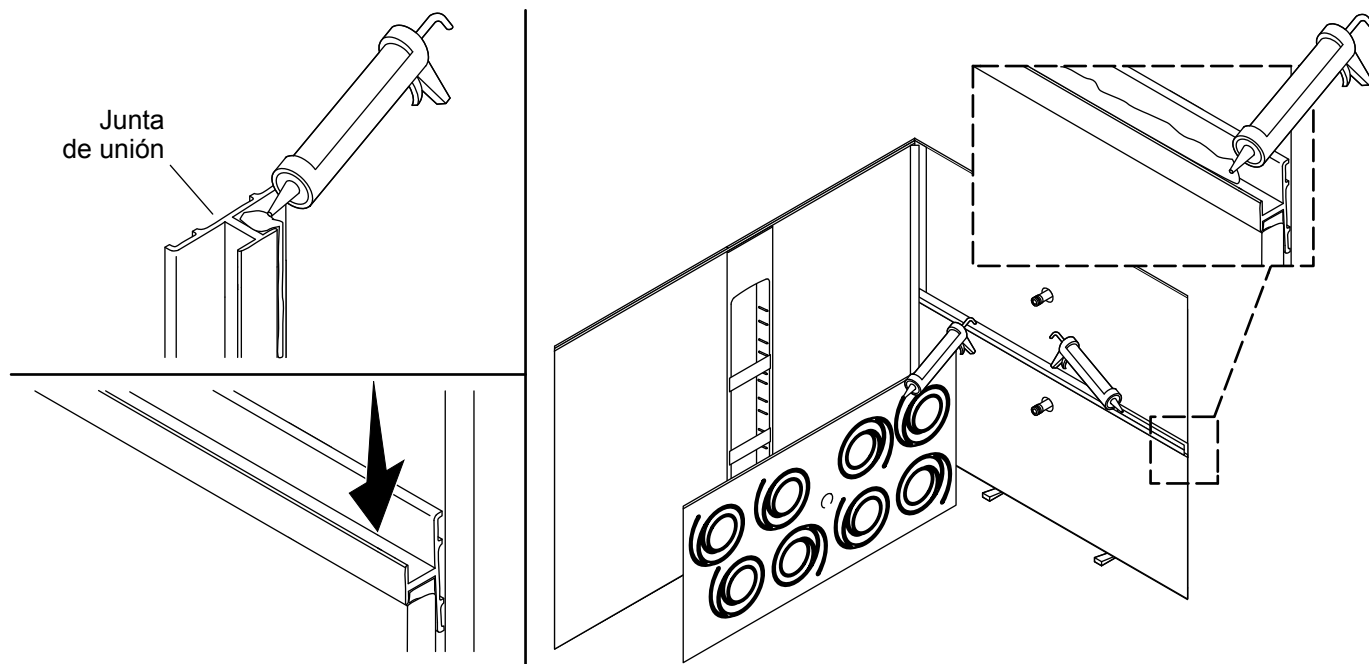


NOTA: Use adhesivo de silicona si los paneles murales están siendo instalados sobre azulejo. En el resto de las aplicaciones, use el tipo de adhesivo especificado en las instrucciones que se incluyen con los paneles murales de la ducha.

NOTA: Es posible que se requieran refuerzos para sostener el panel mural en su lugar, de acuerdo al material de la pared sin acabado y al adhesivo que se esté usando.

- Aplique adhesivo al panel mural lateral en un patrón circular. Los hilos continuos de adhesivo deben estar separados entre 5" (127 mm) y 7" (178 mm) entre sí.
- Aplique un hilo continuo de adhesivo a lo largo de los bordes del panel mural a 3/4" (19 mm) del borde.
- Mueva el panel mural a su lugar a un ángulo ligero, y oprima el panel mural contra la junta esquinera, si está instalada.
- Empuje el panel mural contra la pared sin acabado. Oprima con firmeza y de manera uniforme en todo el panel mural. El panel mural debe hacer contacto con la pared sin acabado en toda el área.

17. Instale el segundo panel mural lateral



Instale la junta de unión

- Llene una canaleta de la junta de unión con sellador de silicona del mismo color.
- Instale la junta de unión en el panel mural lateral ya instalado. Si se instalaron juntas esquineras, oprima la junta de unión contra la junta esquinera.
- Aplique sellador de silicona del mismo color a la segunda canaleta de la junta de unión.

Instale el segundo panel mural lateral

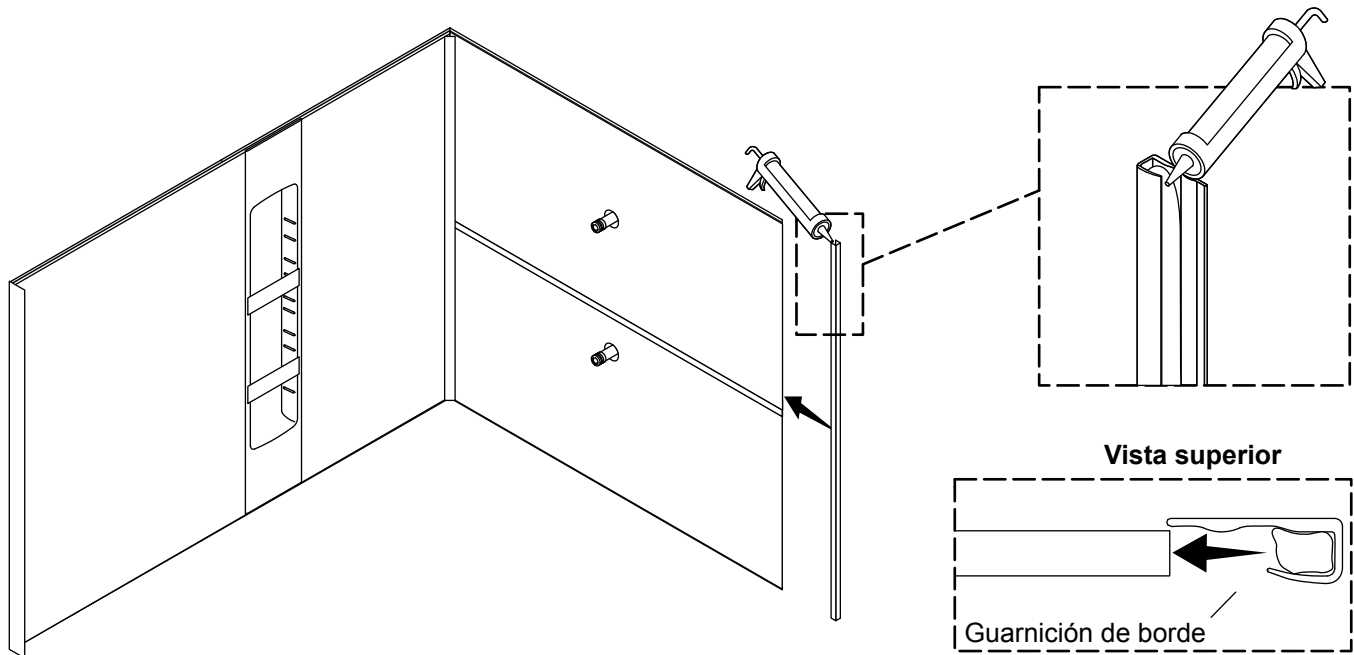
NOTA: Use adhesivo de silicona si los paneles murales están siendo instalados sobre azulejo. En el resto de las aplicaciones, use el tipo de adhesivo especificado en las instrucciones que se incluyen con los paneles murales de la ducha.

- Aplique adhesivo al panel mural lateral en un patrón circular. Los hilos continuos de adhesivo deben estar separados entre 5" (127 mm) y 7" (178 mm) entre sí.
- Aplique un hilo continuo de adhesivo a lo largo de los bordes del panel mural a 3/4" (19 mm) del borde.
- Para mover el panel mural lateral a su lugar, primero oprima el panel mural lateral contra la junta de unión, y luego deslice el panel mural contra la junta esquinera, si hay una instalada.
- Empuje el panel mural contra la pared sin acabado. Oprima con firmeza y de manera uniforme en todo el panel mural. El panel mural debe hacer contacto con la pared sin acabado en toda el área.
- Retire el exceso de adhesivo con el dedo.

NOTA: Es posible que se requieran refuerzos para sostener el panel mural en su lugar, de acuerdo al material de la pared sin acabado y al adhesivo que se esté usando.

- Cuando instale sobre azulejo, use un refuerzo temporal para fijar cada panel mural en su lugar durante 48 horas, y que así la adhesión sea total.
- Repita estos pasos en el segundo lado del recinto.

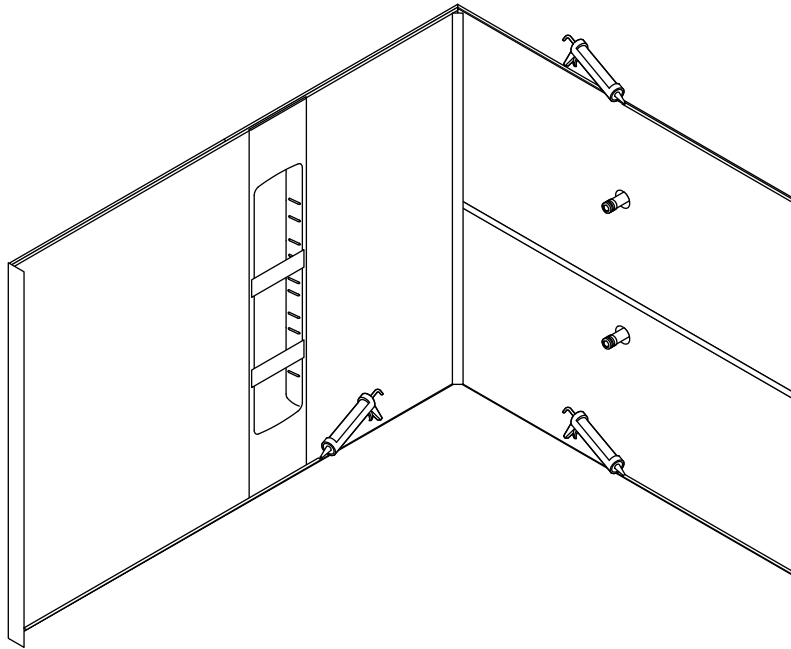
18. Instale la guarnición de borde (opcional)



- Si va a instalar guarnición de borde en los bordes exteriores del panel mural, mida la altura del panel mural.
- Transfiera la medida a la guarnición de borde.
- Corte la guarnición de borde.
- Aplique sellador de silicona del mismo color a la canaleta de la guarnición de borde.
- Instale la guarnición de borde al borde exterior del panel mural.
- Repita el procedimiento en el segundo lado.
- Retire el exceso de sellador con el dedo.

19. Selle el recinto

E
S



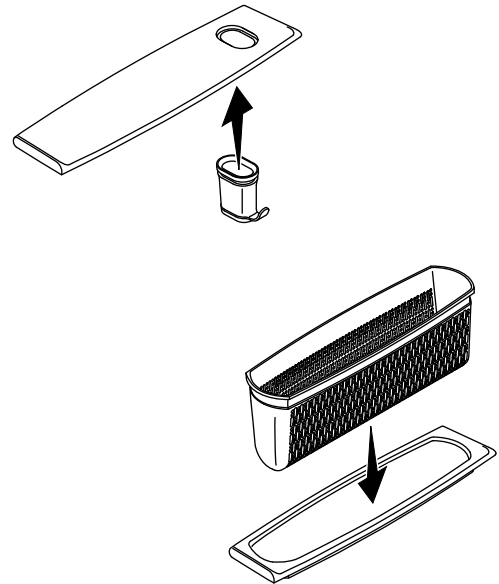
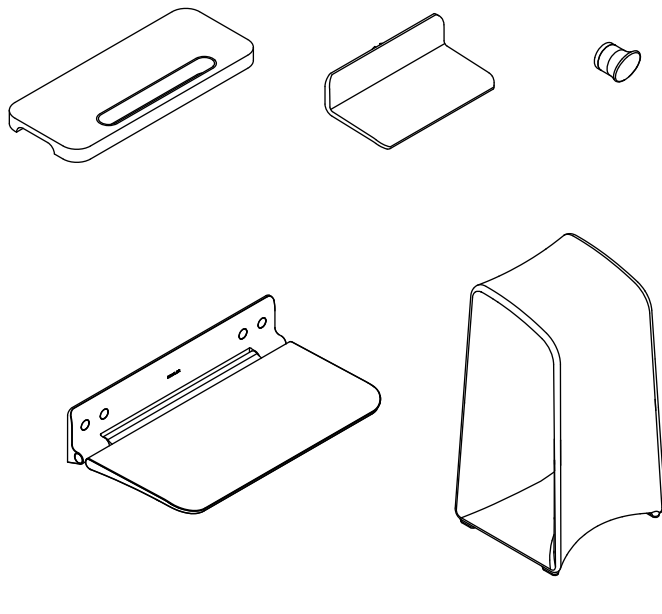
¡IMPORTANTE! Para obtener mejor adhesión, permita que los paneles se sequen entre 24 y 48 horas antes de realizar los últimos pasos. Al sellar la parte superior e inferior se restringe el flujo de aire, lo que requiere mayor tiempo de secado.

- Aplique sellador a las uniones superiores donde los paneles se unen a la pared sin acabado.
- Aplique sellador a las uniones inferiores, en el punto donde los paneles se unen a la bañera o a la base de la ducha.

NOTA: Espere 24 horas antes de tomar una ducha o de dejar correr agua.

- Retire la cinta de enmascarar de la unidad de estantería una vez que se hayan secado el adhesivo y el sellador en la unidad de estantería y en los paneles murales.

20. Complete la instalación



- Instale todos los accesorios de acuerdo a las instrucciones incluidas con esos productos.
- Prepare los estantes con accesorios.
- Oprima el gancho en el estante, como se muestra arriba.
- Oprima la canastilla en el estante, como se muestra arriba.

CONSEJO: Al preparar los dos estantes, use agua y jabón para guiar con facilidad el gancho y la canastilla dentro de los estantes.

- Instale los estantes en la unidad de estantería.

USA/Canada: 1-800-4KOHLER (1-800-456-4537)
Mexico: 001-800-456-4537
kohler.com

THE BOLD LOOK
OF **KOHLER**®

©2022 Kohler Co.



1484881-2

1484881-2-A