

BEFORE YOU BEGIN

安装之前

A. HOW TO USE THESE INSTRUCTIONS

- Please read these instructions carefully to familiarize yourself with the required tools, materials, and installation sequences. Follow the sections that pertain to your particular installation. This will help you avoid costly mistakes. In addition to proper installation, read all operating and safety instructions.
- All information in these instructions is based upon the latest product information available at the time of publication. Kohler China reserves the right to make changes in product characteristics, packaging, or availability at any time without notice.
- These instructions contain important care, cleaning, and warranty information - please leave instructions for the consumer.
- Fixture dimensions are nominal and confirm to tolerances established by ASME Standard (A112.19.2-2013).
- The product complies with GB 6952-2015, GB 28377-2019.

A. 怎样使用本说明书

- 请仔细阅读本说明书。以便熟悉所需工具、材料及安装程序。请遵照相关章节进行安装，以避免由于安装不当而导致不必要的损失。除了有关部门正确的安装方法之外，还务请阅读所有操作及安全说明。
- 本说明书所含一切材料，均以印刷时所有的最新产品为准。科勒中国公司保留随时更改产品特性、包装或供应情况的权利，恕不另行通知。
- 本说明书也包含了有关护理、清洁及保养等重要资料-请交用户留存。
- 部件尺寸为标定值，误差符合美国ASME标准(A112.19.2-2013)。
- 本产品符合GB 6952-2015、GB 28377-2019。

B. ORDERING INFORMATION

- SPAN Square Urinal (Rear) (1L/2.5L).....K-26474T-ER
- SPAN Round Urinal (Rear) (1L/2.5L)..... K-26475T-ER

B. 订购资料

- 司贝方形超级节水型小便器 (后进水)(1L/2.5L).....K-26474T-ER
- 司贝圆形超级节水型小便器 (后进水)(1L/2.5L).....K-26475T-ER

C. NOTES

- Observe all local plumbing and building codes.
- Shut off the water supply.
- Carefully inspect the new fixture for any sign of damage.
- Be very careful while handling vitreous china products.

C. 注意

- 遵守当地所有给排水及建筑规定。
- 安装前请关闭水源。
- 安装前请小心检查小便器是否有损坏的迹象。
- 釉面陶瓷小便器须小心轻放，以免其破损和崩裂。

D. REQUIRED TOOLS AND MATERIALS

- Drill
- Open end/adjustable wrenches
- Tape measure
- Thread sealant tape
- Basin Wrench
- Screwdriver
- Sealant
- Recommend the no less than 9 mm stainless steel twist pipe as inlet.

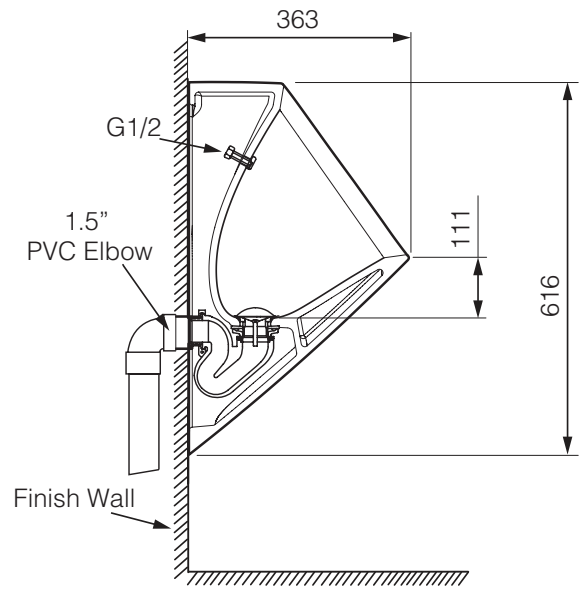
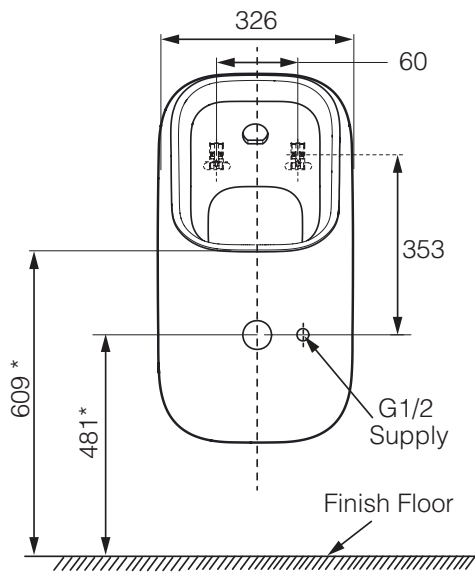
D. 所需工具及材料

- 冲击钻;
- 开口/活动板钳;
- 卷尺;
- 螺纹密封带;
- 梅花板钳;
- 螺丝刀;
- 密封胶;
- 推荐使用内径 ≥ 9mm 不锈钢编织软管作为进水管。

Unit: mm

K-26474T-ER

单位: 毫米



K-26475T-ER

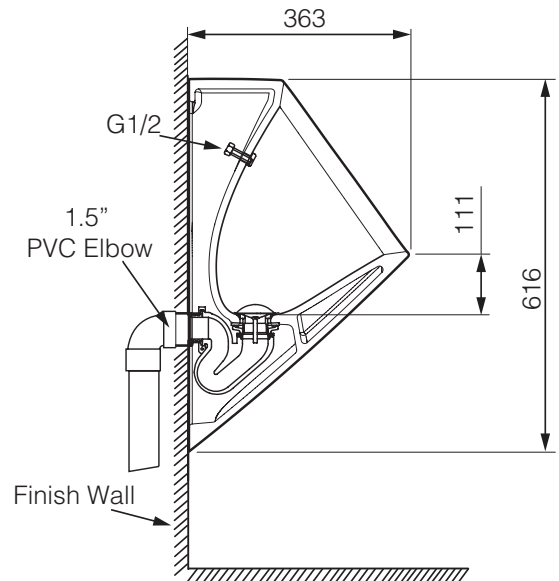
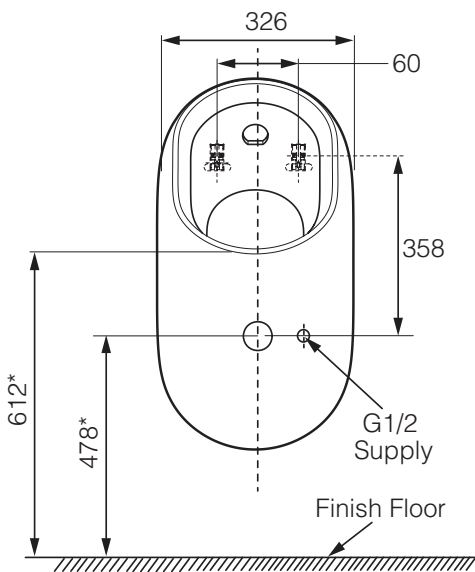


图1
Fig. 1

科勒公司保留随时变更图中标示尺寸的权利，无需另行通知。

Kohler reserves the right to change marked dimensions without prior notice.

Notice:

- a. The dimensions above are just for reference.
- b. The layout dimensions of water inlet and outlet see installation step C(Install the hook).
- c. *Recommended dimensions for installation only, please adjust according to actual situation.

注意:

- a. 以上尺寸仅供参考。
- b. 进水口和排污口布局尺寸见安装步骤C(安装挂钩)。
- c. *仅为建议安装尺寸，客户可根据实际情况调整。

A. INSTALL OUTLET CONNECTION

Ascertain the position for outlet connection according to rough-in dimensions.

Connect the outlet connection with the trap way. Insert the gasket into the trap way as shown. Apply sealant on outlet pipe, connect the outlet connection with outlet pipe.

Note: Fig.2 may be different for different outlet connections.

A. 安装排水接口

根据安装尺寸示意图确定排水接口安装位置。

将排水接口和排水管组件连接在一起，按图示把橡胶密封圈插入到排水组件，然后在排水接口涂抹密封胶，将排水接口连接到排水管。

注意：根据选用排水接口的不同，安装图示2可能不同。

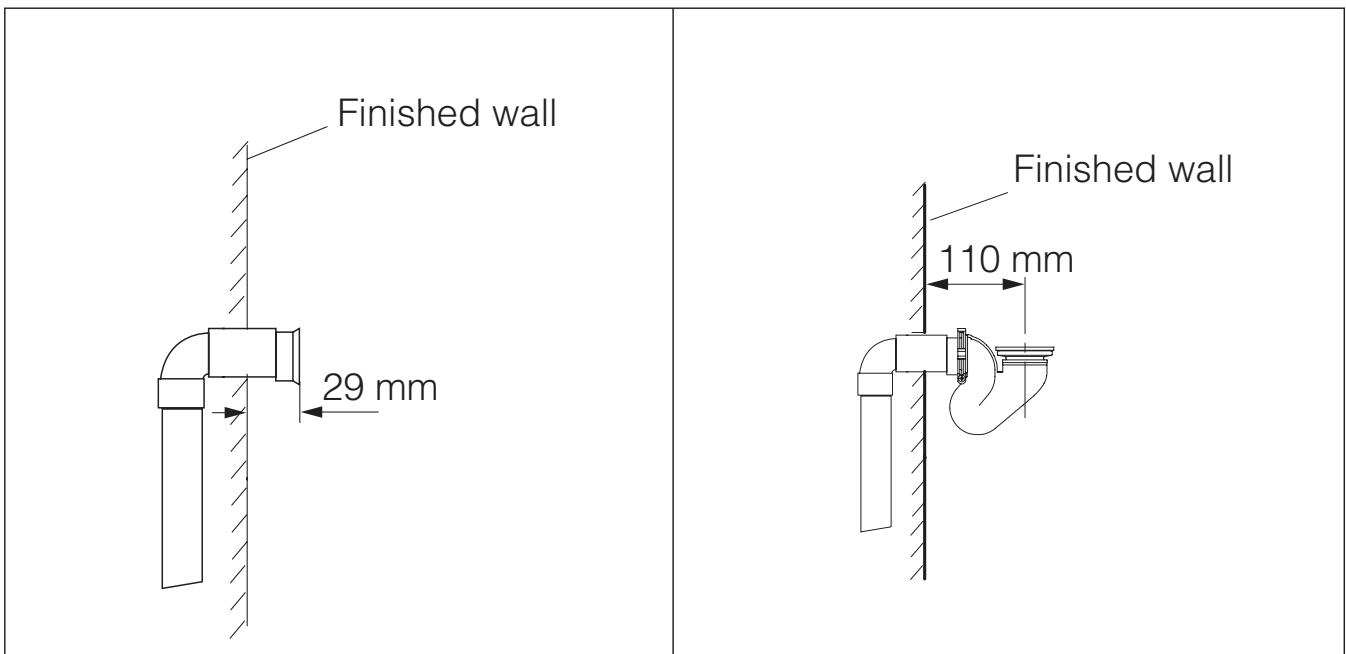
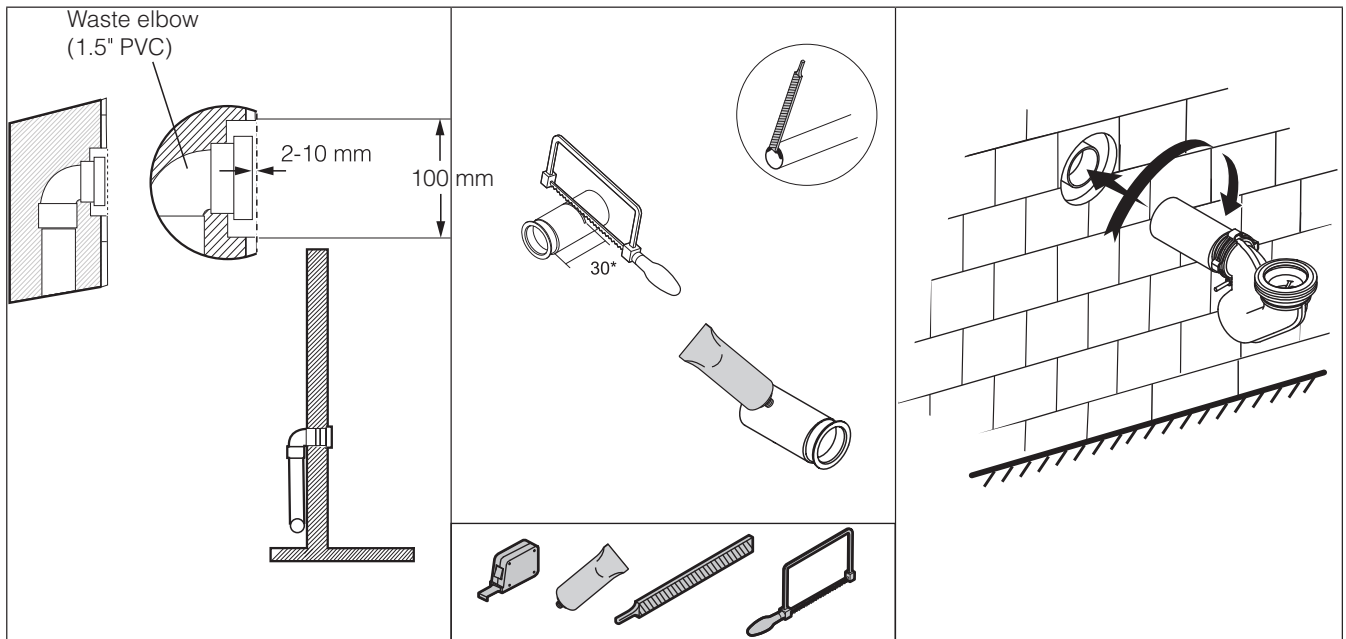


图2

Fig. 2

B. INSTALL HOOK

(See Fig.3)

Drill mounting holes on the wall and install hook. Fix hook on the wall by tightening screws.

B. 安装挂钩

请参阅图3

按图中的安装尺寸在安装墙面打四个安装孔，将挂钩安装槽对准安装孔，将塑料套管插入安装孔，用螺丝将挂钩紧固在安装墙面。

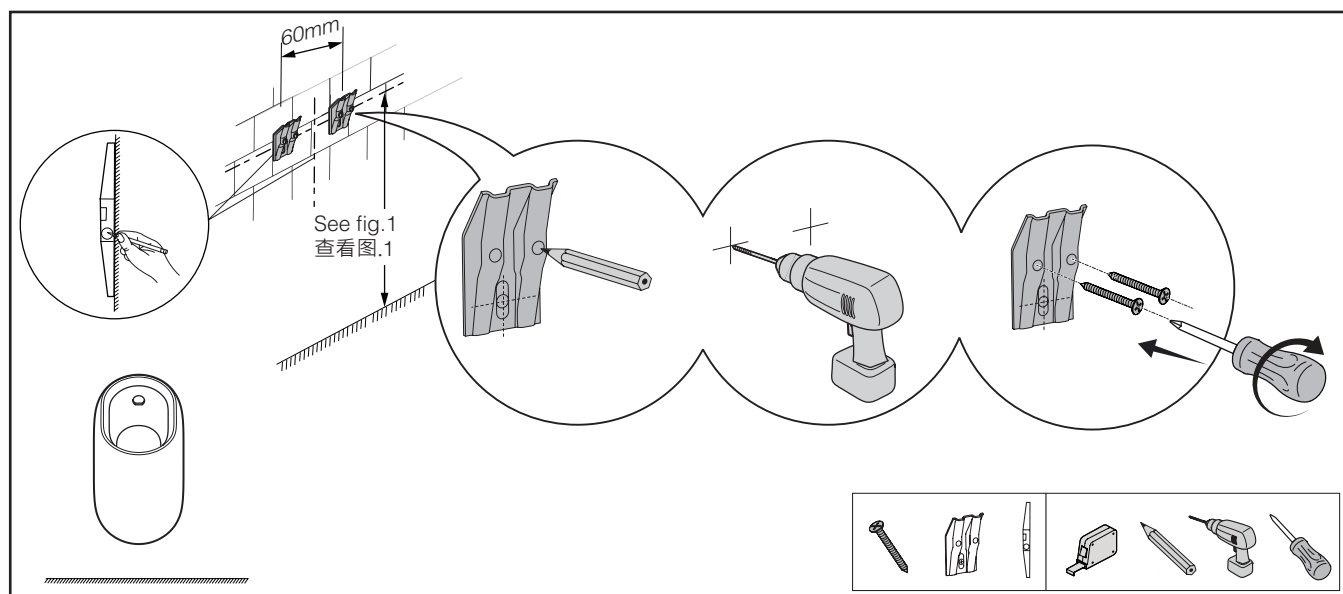


图3
Fig. 3

C. INSTALL INLET PIPE

As shown, install the nozzle, washer and nut on the urinal, and connect the water inlet hose and water inlet connector.

C. 安装进水管

如图所示，将喷嘴，垫圈和螺母安装到小便器上，连接进水软管和进水接头。

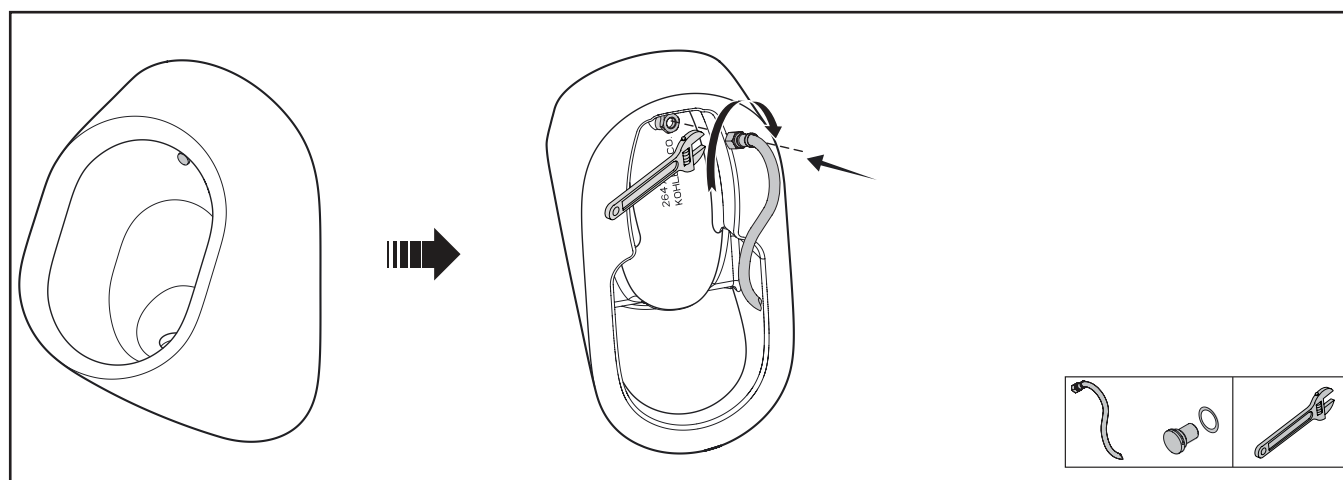


图4
Fig. 4

D. INSTALL URINAL

(See Fig.5)

Position the installing hole on the back of the urinal with the hook. Level the outlet connection which is installed together with the strainer and the gasket on the trap way. Then insert the outlet connection into the gasket. (While the outlet connection is inserted, the trap way can be crutched by hand extended via the gap in the bottom of the urinal to install it decently.) Then fix the urinal on the hook.

D. 安装小便器

(请参阅图5)

将小便器提起扶稳，将小便器背部安装孔对准挂钩，同时，与滤网安装在一起的排水接头要与排水组件上的密封圈对准并插入(插入时可以用手通过小便器底部的空隙，把排水组件扶正，避免安装不到位)，然后将小便器固定在挂钩上。

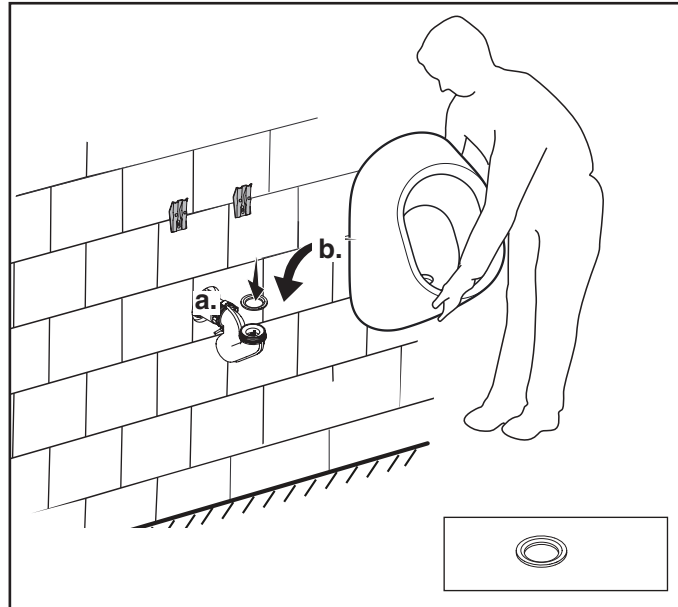


图5

Fig. 5

E. INSTALL BEEHIVE STRAINER

Ascertain the position for beehive strainer as shown. Secure the beehive strainer by tightening screw.

E. 安装滤网

如图所示，确定滤网的安装位置。用紧固螺丝固定滤网。

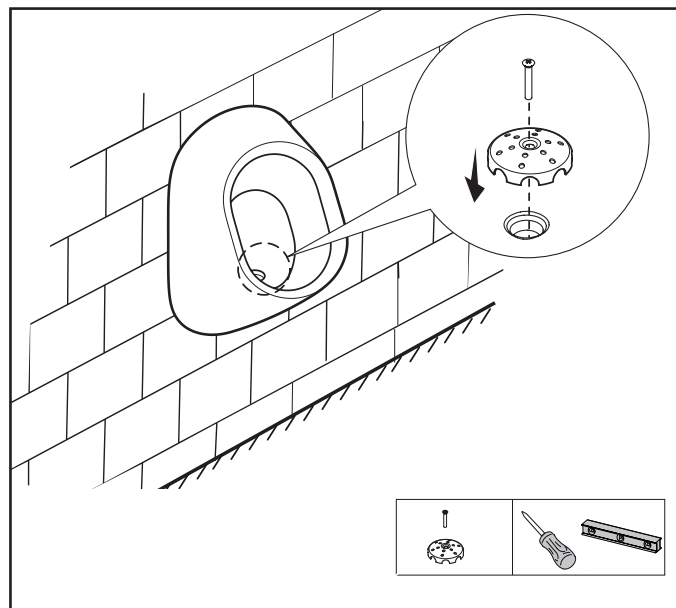


图6

Fig. 6

CONSUMER RESPONSIBILITIES

用户责任

1. Urinal is designed for use with portable water. Avoid water that includes a lot of contaminants or with acid/alkali water and impure water.
2. If you live in a hard water area, ensure that the holes in the toilet rim are kept clean to ensure proper bowl flushing. Toilet bowl cleaners should be used at least once a week. Use a long-handled brush to clean the rim holes, and to clean as far into the trap as possible to prevent mineral deposits from forming.
3. Most toilet bowl cleaners are not harmful to the surface of the urinal. Please follow the bowl cleaner manufacturer's instructions carefully.
4. Do not use abrasive cleaners to clean surfaces.
5. Please flush and clean the urinal regularly to avoid pipe blockage.



WARNING: Risk of product damage.

Do not throw into the urinal what is easy to block it, such as newspaper, paper pilch.

Do not bump the vitreous china with great force to prevent it from damaging and leaking.

Do not use the product in the water below 0°C.



CAUTION: Please do not use hard materials (like scouring pad) to clean product surface, especially the product logo.

1. 使用水源为自来水或可供饮用井水，避免使用含有杂质较多或带有酸、碱性的处理水或未加工处理的水。
2. 如果你居住地方的水质是硬性，你必须保持冲水孔清洁，令小便器冲水正常。每星期应最少使用便器清洁剂清洗一次。用长把手刷子清洁冲水孔，并尽量伸入排污管洗刷，以防止矿物质积聚。
3. 大部分厕所清洁剂都不会损坏小便器表面的釉面陶瓷，但烦请遵照便器清洁剂生产商指示小心进行。
4. 请勿使用腐蚀性溶剂擦拭陶瓷件表面。
5. 请定期冲洗，以免尿垢堵塞管道。



警告：提防损坏产品。

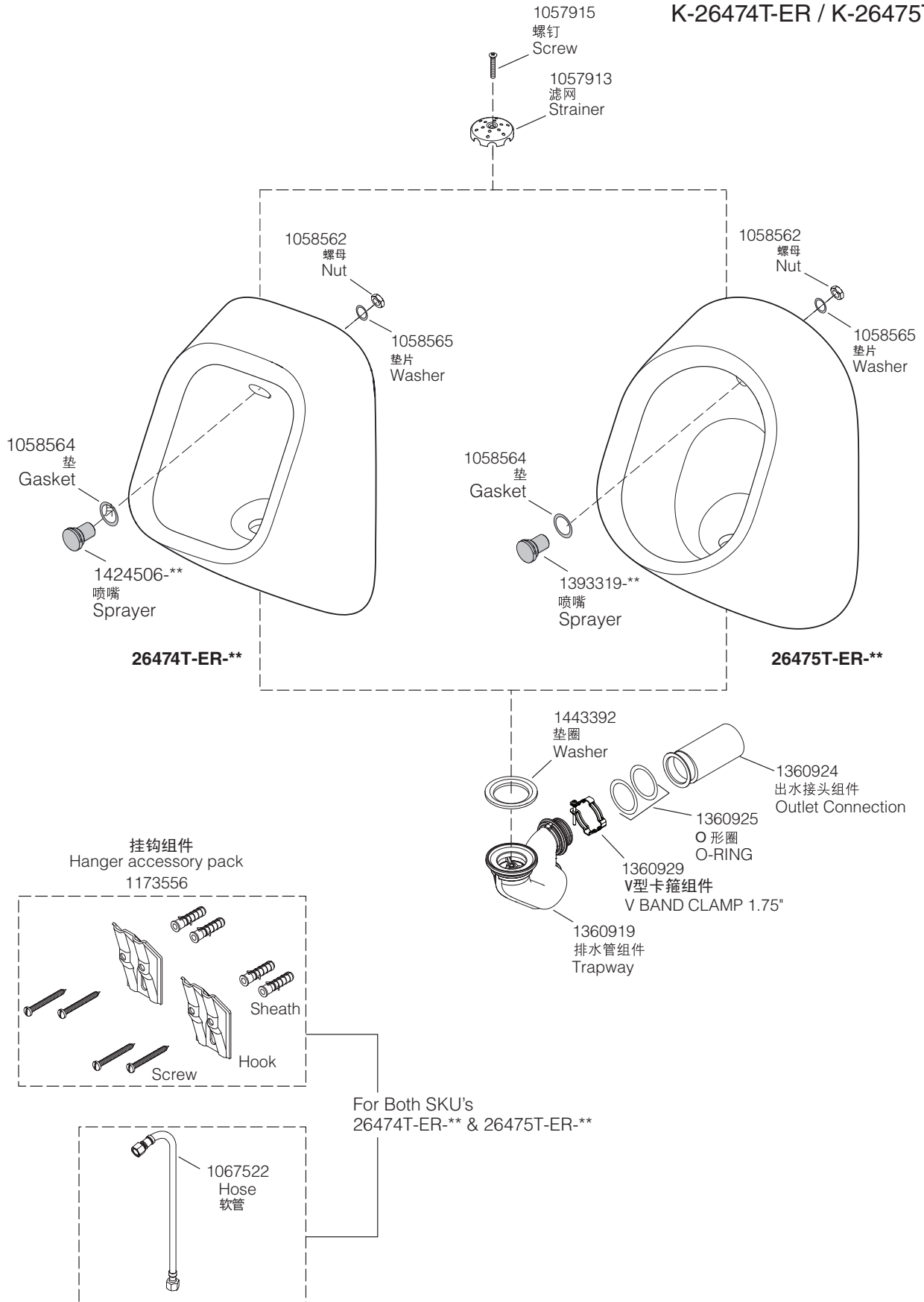
请不要向小便器内冲入新闻纸、纸尿裤等容易堵塞的物品。

请不要用重力撞击陶瓷，以防止破损漏水。

不要在0°C以下的水环境中使用。



警告：请勿使用钢丝球等硬质材料擦洗产品表面，特别是产品商标处。



**-Finish code must be specified when ordering.