

Installation Instructions

Shower Column

Record your model number: _____

KOHLER®

Thank You for Choosing KOHLER

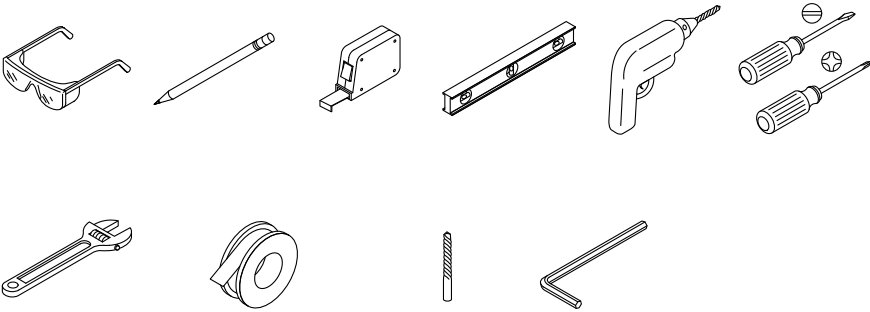
Need help? Contact our Customer Care Center.

- Mainland China: +(86) 800-820-2628, +(86) 400-820-2628
- Hong Kong (China), Macau (China), Taiwan (China): +(852) 3125-7728
- Thailand: callcenterthailand@kohler.com, +(66) 2700-9299
- Brunei, Guam, Indonesia, Japan, Malaysia, Mongolia, Philippines, Singapore, South Korea, Vietnam: +(86) 21-2606-2572
- Care and cleaning: kohlerasiapacific.com/careandclean

Warranty

This product is covered under the **Lifetime Limited Warranty for PVD Components**, **Three-Year Limited Warranty for Other Components**, found in the packed Compliance Certification.

Tools and Materials



Thread Sealant Tape

8 mm

2 mm

Before You Begin

Read all instructions before installing or using this product.



CAUTION: Risk of product damage and personal injury. Keep the product away from a heater.



CAUTION: Risk of product or property damage. Do not apply weight or downward force to the shower column. Support the shower arm of the shower column when cleaning or servicing the showerhead.

NOTE: The recommended minimum operating pressure for this product is 0.2 MPa (2 bar).

NOTE: The maximum operating pressure for this product is 0.5 MPa (5 bar). If the pressure exceeds 0.5 MPa (5 bar), install a pressure reducer.

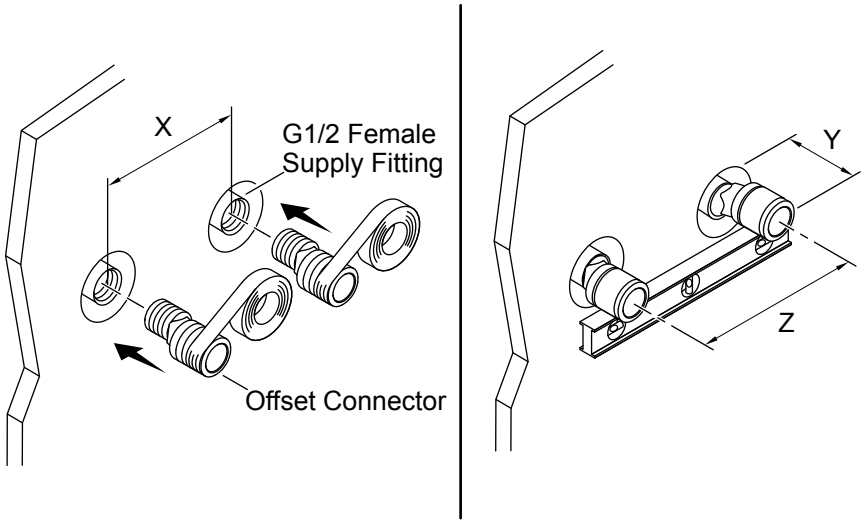
NOTE: The maximum water inlet temperature is 149°F (60°C).

Follow all local plumbing and building codes.

Turn OFF the water supply.

Inspect the existing supply piping and wall materials. Replace if necessary.

1. Install the Offset Connectors

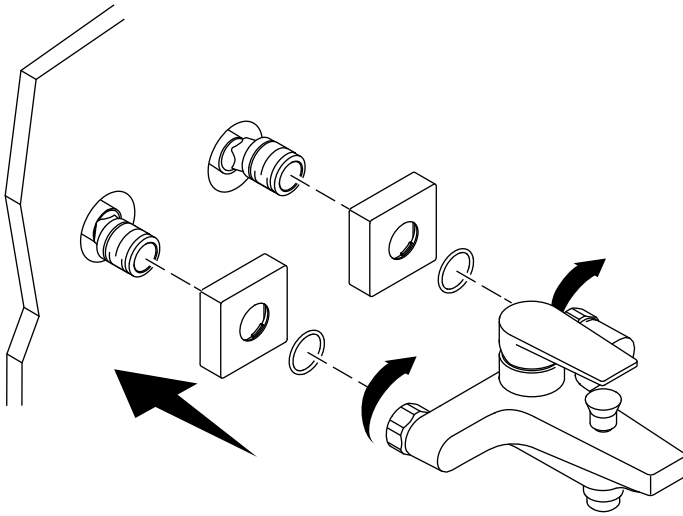


NOTE: G1/2 female supply fittings are required to be installed before installing the faucet.

NOTE: Hot water supply pipe must be located on the left side.

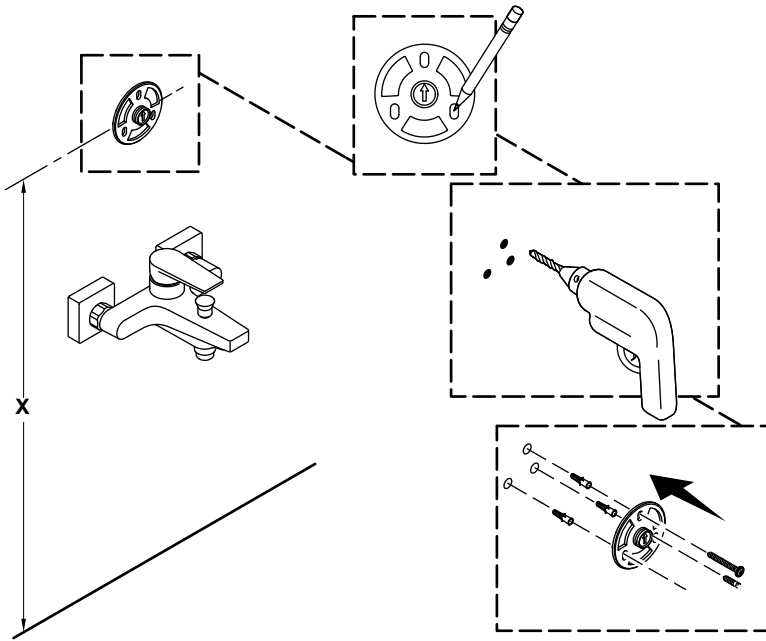
- Verify **X** = 5-7/8" (149 mm) - 5-15/16" (151 mm). Verify that the supply fittings are G1/2 female.
- The supply fittings must be level and not extend beyond the finished wall.
- Apply thread sealant tape to the offset connectors.
- Install the offset connectors into the supply fitting.
- Verify **Y** = 1-1/8" (28 mm) - 1-3/4" (44 mm) from the finished wall. Adjust if necessary.
- Verify **Z** = 5-7/8" (149 mm) - 5-15/16" (151 mm). Adjust if necessary.
- Verify that the offset connectors are level.

2. Install the Faucet



- Thread the escutcheons onto the offset connectors until the escutcheons are flush with the wall.
- Slide the O-rings onto the offset connectors.
- Install the faucet onto the offset connectors.
- Using a strap wrench or a wrench with a soft cloth, tighten the nuts.

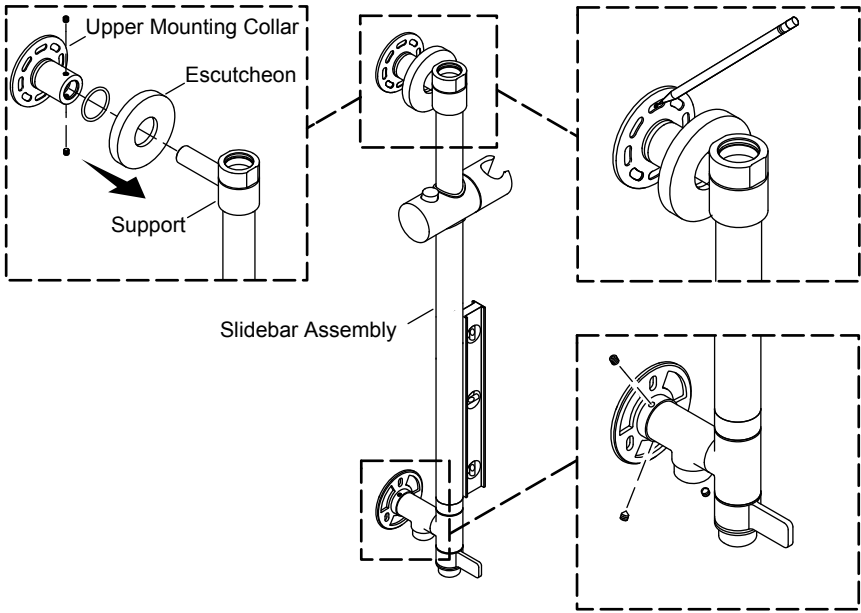
3. Install the Lower Mounting Collar



NOTE: The recommended height for the mounting the collar is $X = 39\text{-}3/8"$ (1,000 mm) - $43\text{-}5/16"$ (1,100 mm) from the floor.

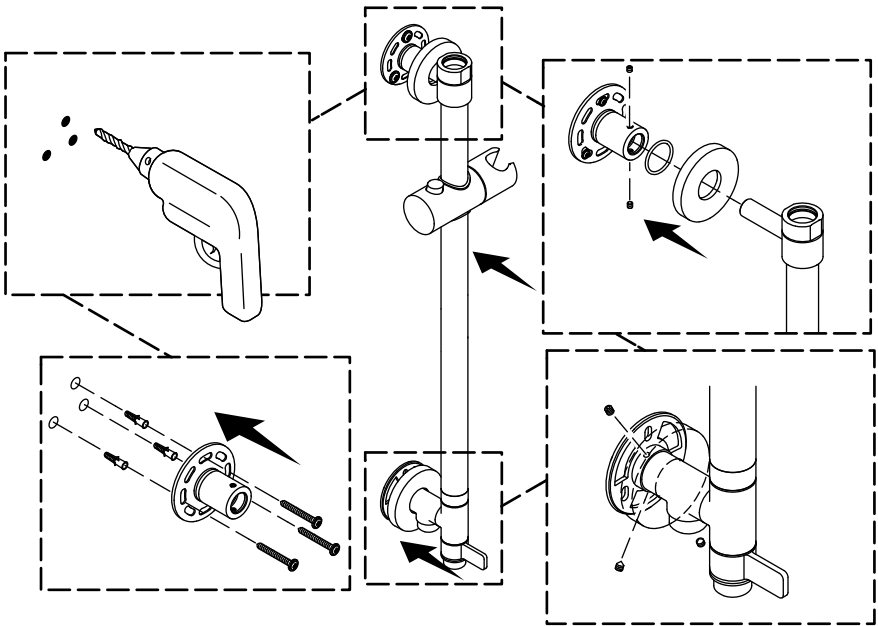
- Position the lower mounting collar on the wall.
- Verify that the arrow on the mounting collar is pointing up.
- Mark the three mounting holes.
- Remove the lower mounting collar from the wall. Drill 8 mm holes at the marked locations.
- Install the provided anchors.
- Align the lower mounting collar with the anchors.
- Insert the screws through the lower mounting collar and tighten until the lower mounting collar is flush with the wall.

4. Mark the Upper Mounting Collar Hole Positions



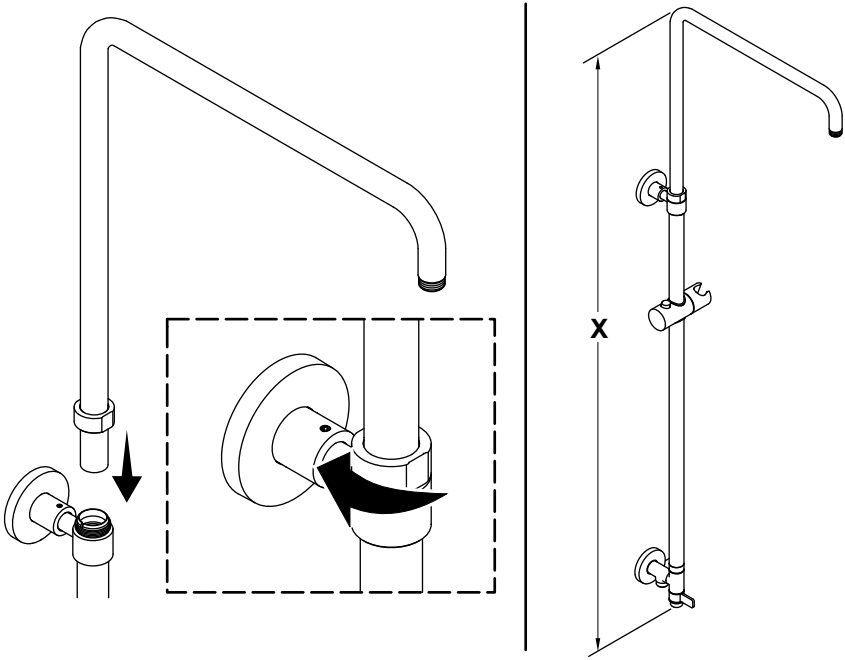
- Slide the escutcheon and O-ring onto the support.
- Insert the support into the sleeve of the upper mounting collar.
- Tighten the screws using a 2 mm hex wrench.
- Position the slidebar assembly against the wall.
- Insert the slidebar assembly onto the lower mounting collar and tighten the screws using a 2 mm hex wrench.
- Using a level, verify that the slidebar assembly is plumb.
- Mark the three mounting holes.
- Remove the slidebar assembly from the lower mounting collar.
- Uninstall the upper mounting collar, O-ring, and escutcheon from the support.

5. Install the Slidebar Assembly



- Drill 8 mm holes at the marked locations. Install the provided anchors into the holes.
- Align the upper mounting collar with the anchors.
- Insert the screws through the upper mounting collar and tighten until the upper mounting collar is flush with the wall.
- Slide the escutcheon and O-ring onto the support.
- Slide another escutcheon onto the lower side of the slidebar assembly.
- Reinstall the slidebar assembly onto the upper and lower mounting collars.
- Tighten the screws of both upper and lower mounting collars using a 2 mm hex wrench.
- Slide both the escutcheons over the mounting collars and press the escutcheons tight against the finished wall.

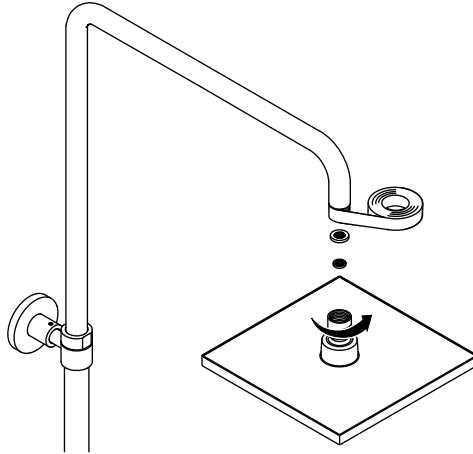
6. Install the Shower Arm



NOTE: The recommended height of the shower column is $X = 39\text{-}3/8"$ (1,074 mm) - $43\text{-}5/16"$ (1,274 mm) from the bottom of the slidebar assembly.

- Install the nut onto the shower arm.
- Slide the shower arm into the slidebar.
- Adjust the height. Tighten the nut.

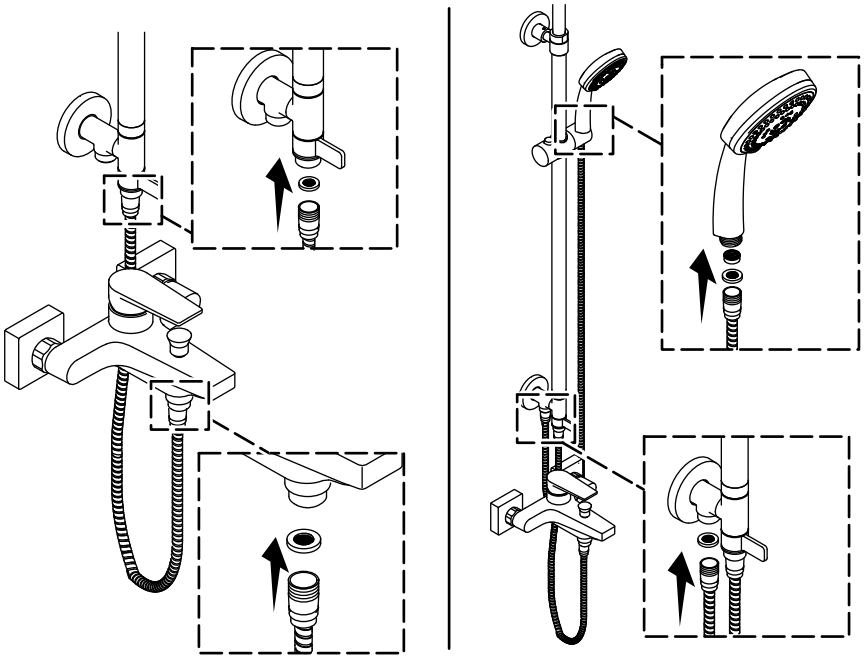
7. Install the Showerhead



CAUTION: Risk of product damage. Product damage could occur if the shower column overhang is not carefully supported during the showerhead installation. Do not apply excessive weight or force to the shower arm.

- Before installing the showerhead, turn **ON** the water supply of the showerhead. Run hot and cold water for about 1 minute to remove any debris.
- Apply thread sealant tape to the shower arm outlet.
- Remove the screen washer and install the flow regulator into the showerhead if needed. Reinstall the screen washer.
- Carefully thread the showerhead onto the overhang outlet.

8. Install the Shower Hoses and Handshower



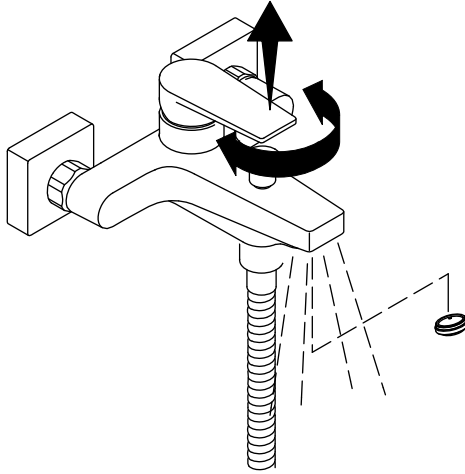
IMPORTANT! The shower column is supplied with two shower hoses. One shower hose must be connected to the faucet outlet and shower column, and another shower hose must be connected to the shower column and handshower.

NOTE: Before installing the handshower, turn the diverter handle counterclockwise for the handshower, run hot and cold water for about 1 minute to flush the water supply pipes thoroughly to remove debris.

- With the screen washer installed, thread the shower hose onto the bottom of the shower column.
- With the screen washer installed, thread another end of the shower hose to the faucet outlet.
- Install a flow regulator into the handshower inlet if needed.
- With the screen washer installed, thread another shower hose to the handshower.
Do not overtighten.

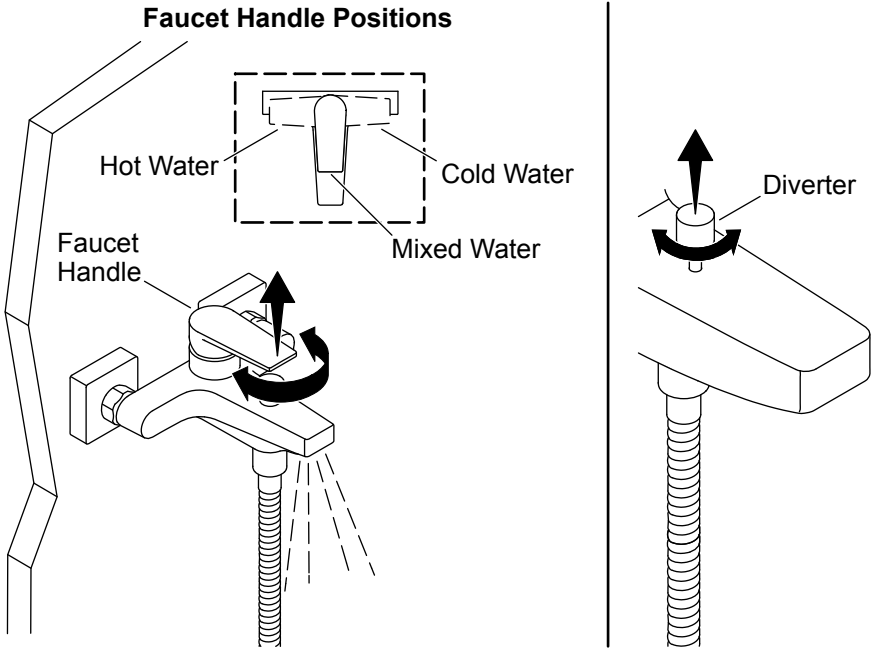
- Place the handshower into the holder.
- With the screen washer installed, connect another end of the shower hose to the connector of the shower column.

9. Complete the Installation



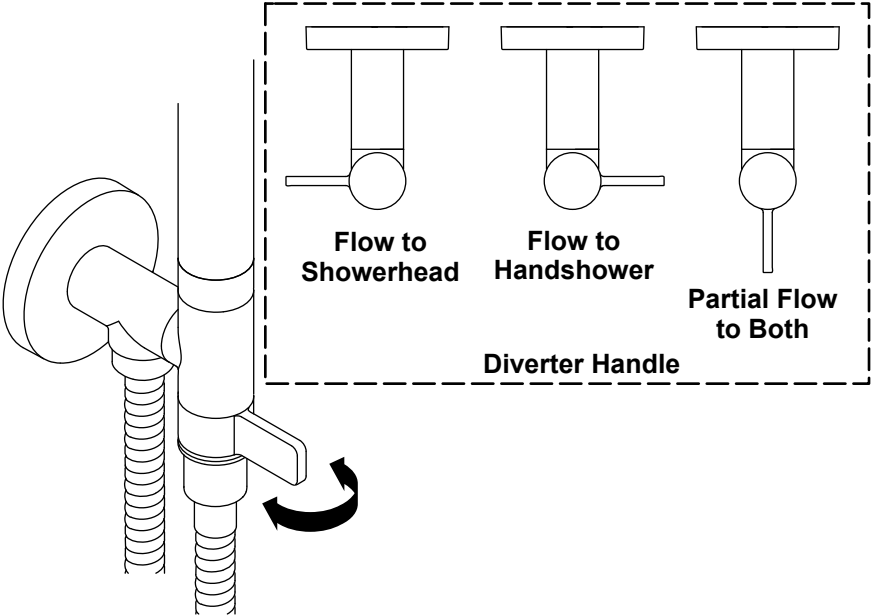
- Verify that all connections are tight. Verify that the handle is in the OFF position.
- Turn ON the water supply.
- Remove the aerator from the spout. Turn ON the faucet handle.
- Run hot and cold water through the spout for about 1 minute to remove any debris. Check connections for leaks.
- Remove any debris from the aerator.
- Turn OFF the faucet handle. Reinstall the aerator.
- Lift the diverter gently to operate the showers. Operate the shower handle and check connections for leaks.
- Turn OFF all the handles.

Using the Faucet



- Lift the faucet handle gently to turn ON the water flow.
- Keep the handle at center position for mixed water.
- Turn the faucet handle clockwise for hot water.
- Turn the faucet handle counterclockwise for hot water.
- Lift the diverter gently to operate the shower. When the diverter is lifted, the water will stop flowing to the faucet spout.
- Turn the diverter clockwise to turn ON the shower.
- Turn the diverter counterclockwise to turn OFF the shower.

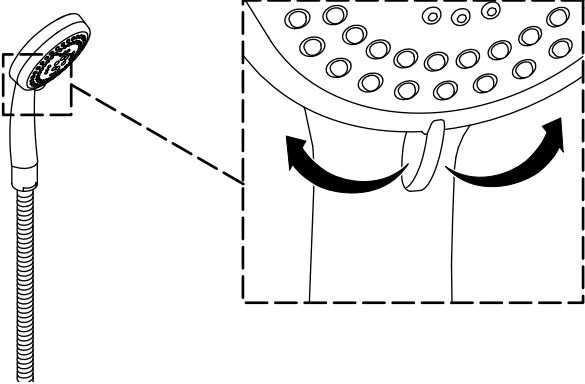
Using the Shower Column



NOTE: The shower column is not designed to stop water flow. Positioning the diverter handle to the center will result in partial flow from both the showerhead and handshower.

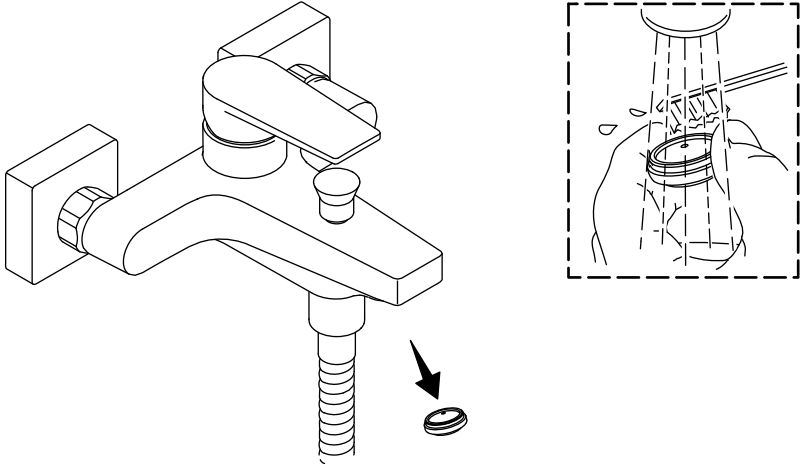
- To use the showerhead, turn the diverter handle clockwise.
- To use the handshower, turn the diverter handle counterclockwise.

Using the Handshower



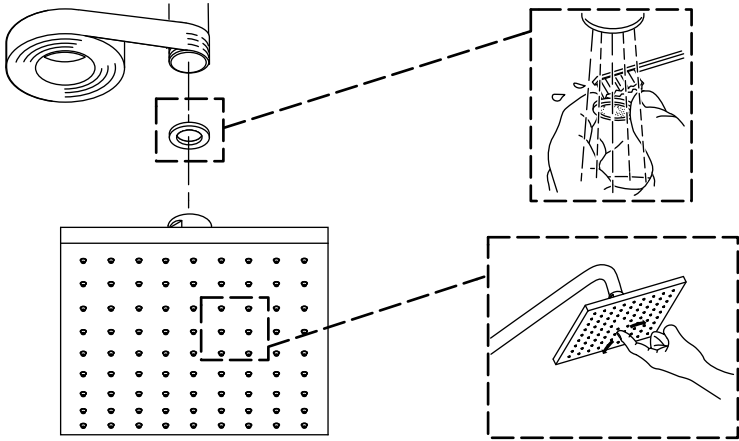
- Turn the knob to select your desired handshower spray option.

Faucet Maintenance



- Remove the aerator from the spout.
- Clean the aerator to dislodge debris and mineral build-up.
- Reinstall the aerator.

Showerhead Maintenance



NOTE: Do not remove the flow control.

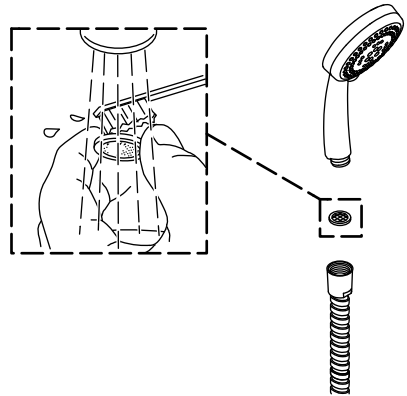
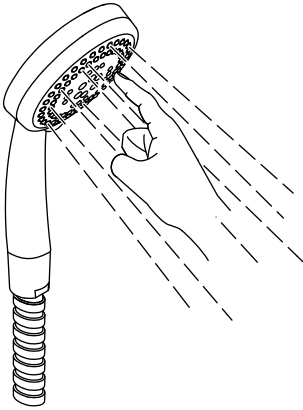
Cleaning the Nozzles

- Run water through the showerhead.
- Firmly rub your finger back and forth across the spray holes in the showerhead.

Cleaning the Screen Washer

- Use a clean wrench to remove the showerhead from the shower arm. Be careful not to damage the finish.
- Use a thin, flat-blade screwdriver to carefully raise the edge of the screen washer. Remove and clean the screen washer.
- Reinstall the screen washer with the tapered end out.
- Apply new thread sealant tape to the threads of the shower arm.
- Reinstall the showerhead.

Handshower Maintenance



Clean the Nozzles

- Run water through the handshower.
- Firmly rub your finger back and forth across the spray nozzles on the handshower face.

Clean the Screen Washer

- Use a wrench to remove the handshower from the shower hose.
- Use a thin, flat-blade screwdriver to carefully raise the edge of the screen washer.
- Remove the screen washer. Do not remove the flow control.
- Clean the screen washer to dislodge debris and mineral build-up.
- Reinstall the screen washer.
- Reinstall the handshower to the shower hose.

kohlerasiapacific.com

THE BOLD LOOK
OF **KOHLER**®

©2023 Kohler Co.



1485247-K2

1485247-K2-A