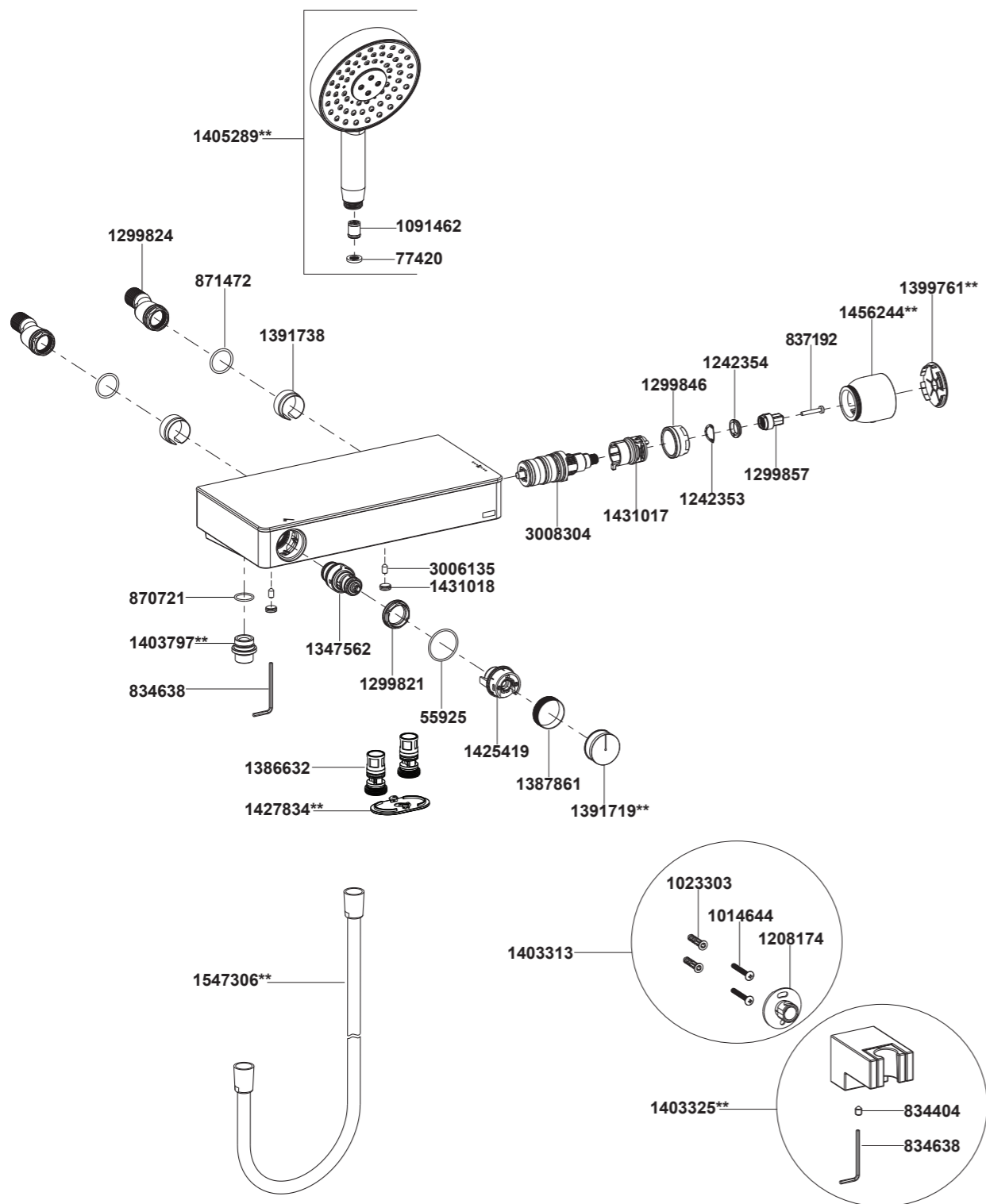


#### EX26328T-9 挂墙式恒温花洒龙头



\*\*订购时请说明颜色编号  
\*\*Color code must be specified when ordering

#### EX26327T-9 挂墙式恒温浴缸花洒龙头 EX26328T-9 挂墙式恒温花洒龙头

#### 安装之前

所有的资料是按最新发布的产品资料编写而成。科勒公司保留任何时候不经通知即可改变产品特性、包装或产品可供类型的权利。

说明书包括重要的安装、保养及清洁方面的内容，请把这些资料交给用户阅读。

#### BEFORE YOU BEGIN

All information is based on the latest product information available at the time of publication. Kohler Co. reserves the right to make changes in product characteristics, packaging, or availability at any time without notice.

Please leave these instructions for the consumer. They contain important information.

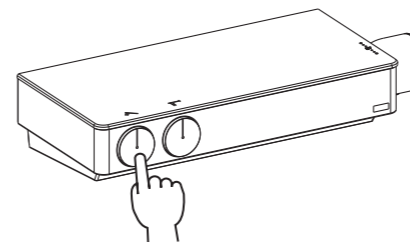
#### 使用环境

1. 最小供水压力：0.1MPa(1bar)。
2. 推荐冷热供水的静态压力：0.3MPa(3bar)。
3. 如果供水压力大于0.5MPa(5bar)，安装减压阀。
4. 热供水温度最低：50°C；最高：80°C。
5. 推荐的热供水温度：65°C。
6. 温度的设定基本范围为：20°C到49°C。
7. 安全限位温度：37°C。
8. 最高混合温度：49°C。
9. 花洒最高工作温度及环境温度：60°C。请特别注意花洒同花洒连接的臂管须远离浴霸，否则可能损坏花洒及其密封件，甚至对使用者造成伤害。

#### OPERATION CONDITIONS

1. Minimum supply pressures: 0.1MPa(1bar).
2. Recommended supply static pressures: 0.3MPa(3bar) on hot and cold water.
3. Supply pressure greater than 0.5MPa(5bar): install a pressure reducer.
4. Hot water temperatures, minimum: 50°C, maximum:80°C.
5. Recommended hot water temperature: 65°C(energy-saving).
6. Setting range, approximately: 20°C to 49°C.
7. Safety stop at: 37°C.
8. Maximum mixed water temperature: 49°C.
9. The highest water and environment temperature for handshower & showerhead is 60°C. Please keep the handshower, showerhead and shower arm away from heater, or it may become damaged and cause injury to the user.

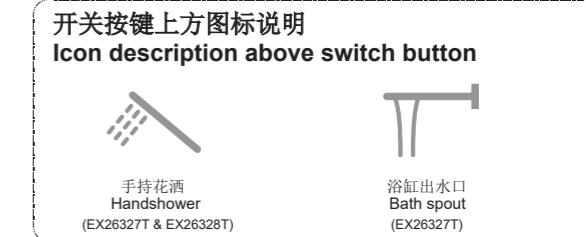
#### 使用说明



慢慢旋转温控把手即右把手，调整温度，安全限位温度为37°C；如想得到更高温度，按住按钮继续逆时针旋转。

水流量和出水方式是通过开关按键来控制。按压本体上任意开关按键，相应功能开启；逆时针旋转开关按键，流量变小。

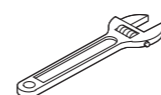
#### OPERATION INSTRUCTIONS



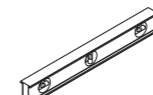
The temperature is set by slowly turning the temperature handle (right-hand handle). For safety reasons, there is a stop that limits temperature to 37°C. To get a higher temperature, push the button (on right-handle) and continue turning the temperature handle counter-clockwise.

Water flow and dispense is set by switch buttons. Press any switch button on the faucet body, the water will run from corresponding outlet. Rotate the switch buttons counter-clockwise to reduce flow.

#### 工具和材料(自备)



活动扳手  
Adjustable Wrench



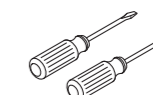
水平尺  
Level



电钻  
Drill



铅笔  
Pencil

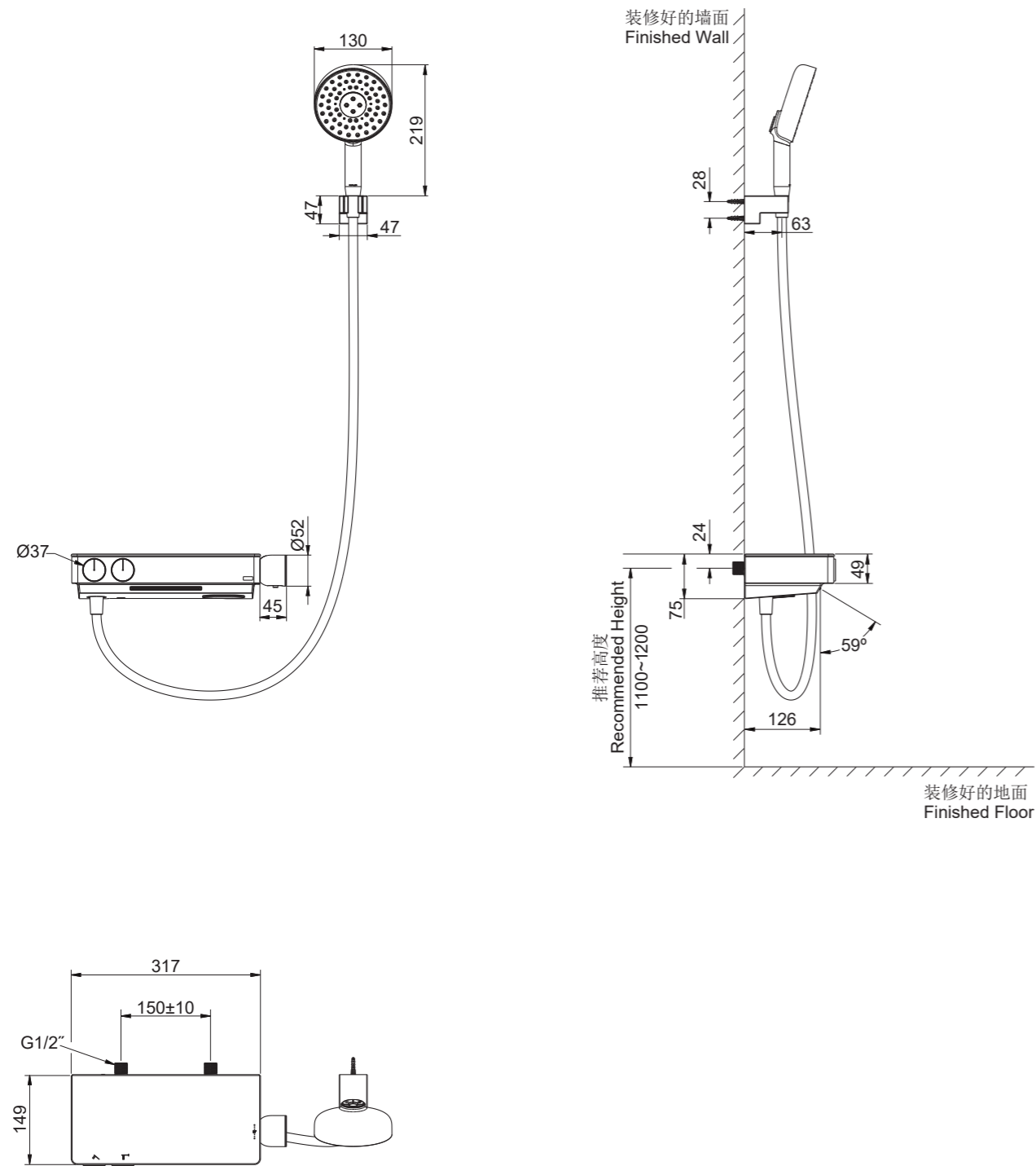


螺丝刀  
Screwdrivers

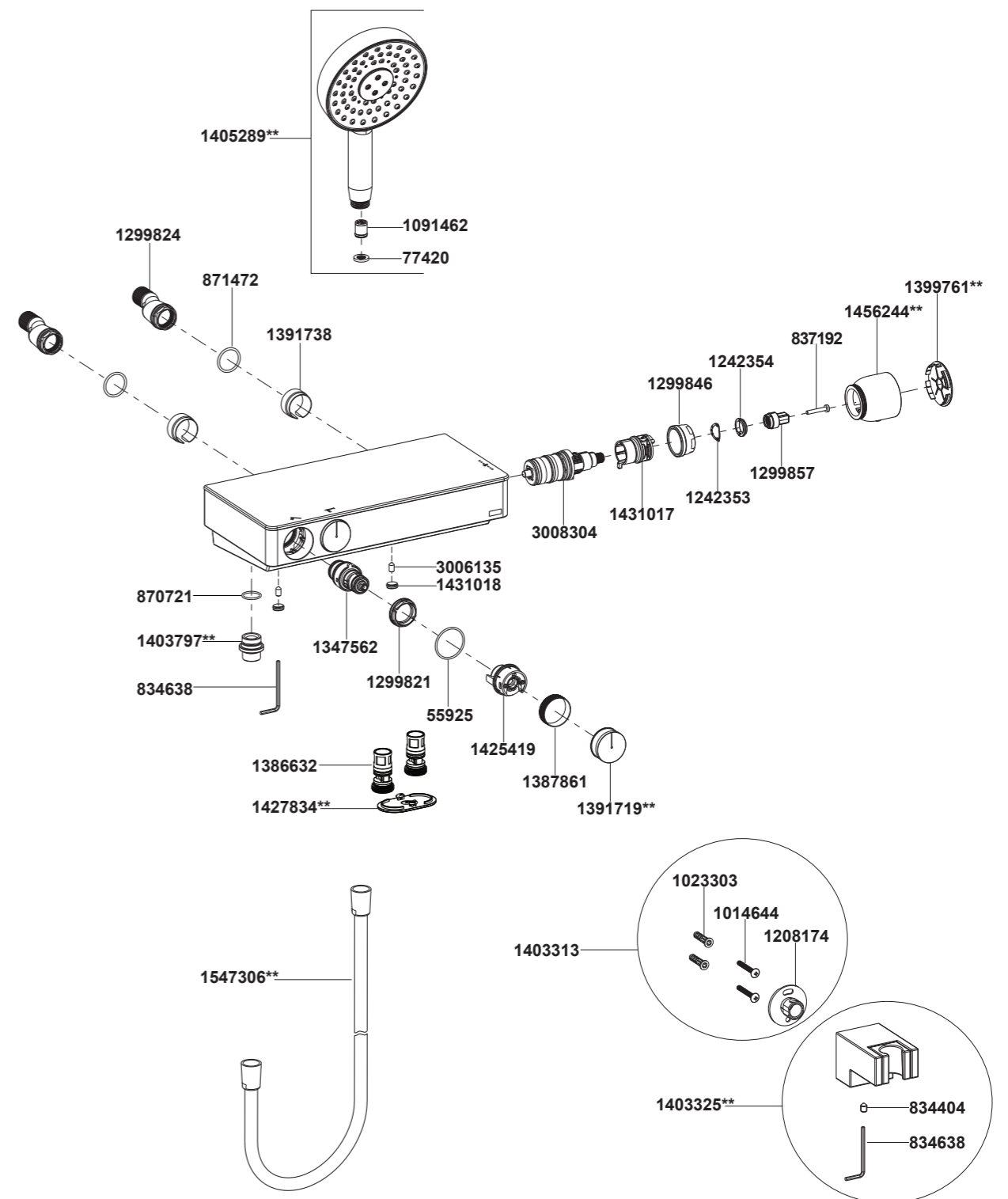


密封带  
Sealant Tape

#### TOOLS AND MATERIALS(NOT PROVIDED)



EX26327T-9 挂墙式恒温浴缸花洒龙头



\*\*订购时请说明颜色编号

\*\*Color code must be specified when ordering

## 清洗温控阀

如果供水的水质较硬或长时间使用，水垢或杂质会阻塞温控阀上的滤网，流量会降低。需要清理请按照下列步骤进行：

关闭供水系统，使流量阀处于打开位置后进行温控阀的拆卸作业。温控阀是较敏感的配件，要十分小心。

拆卸前确保温控把手(18)上的按钮垂直朝下。取下把手上盖(19)，用螺丝刀取出螺钉(20)，卸下温控把手(Fig.1)。

取下齿套组件(21)，接着将螺母(25)和塑料套(24)卸下。小心地卸下温控阀(26)。用热醋进行清洗(Fig.2)。

清洗后，将螺母和塑料套(限位组件25 & 24)装到温控阀上，使塑料套的定位柱嵌入温控阀的限位槽内(Fig.3)。

将塑料套的定位柱与龙头本体内孔凹槽对齐，装入温控阀并锁紧螺母(Fig.4)。

**注意：**确保拆卸、安装过程中不要转动温控阀轴。如不小心转动了阀轴，要调整阀轴使外齿上的圆孔标识与相邻的塑料套上的凹槽对齐(Fig.5)，或者按前述方法进行调整。

不要转动温控阀轴，将齿套组件(21)上的指示线对准塑料套上的指示线装入。安装温控把手(18)，使温控把手上的按钮垂直朝下。用螺丝刀锁紧螺钉(20)，安装把手上盖(19)(Fig.6)。

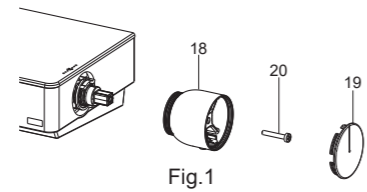


Fig.1

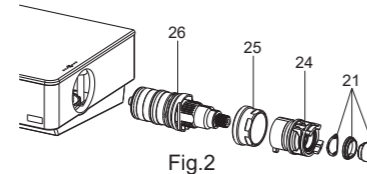


Fig.2

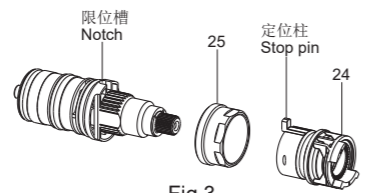


Fig.3

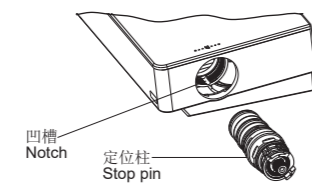


Fig.4

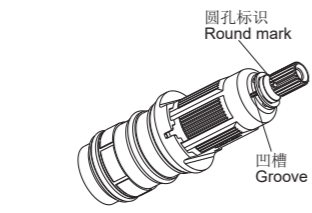


Fig.5

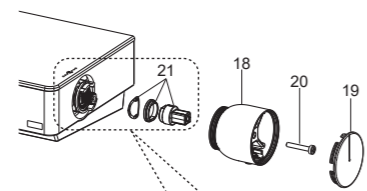


Fig.6

## Clear the Thermostatic Cartridge

Very hard water can obstruct filters on the thermostatic cartridge and reduce the water flow. Please clean the cartridge as follows:

Shut off the water supply of the faucet and turn on the water flow valve, then proceed to remove the cartridge. The cartridge is sensitive part, please be careful.

Before your action, ensure the button on the temperature handle(18) is downward vertically. Remove the plug(19). Remove the screw(20) with a screwdriver. Take out the temperature handle(Fig.1).

Remove the adapter spline kit(21), unscrew the nut(25) and stopper(24). Remove the cartridge (26) cautiously. Clean the cartridge by soaking it in warm vinegar(Fig.2).

After cleaning, install the "stop assembly" (25 & 24) back on the cartridge, adjust the stop pin into the notch(Fig.3).

Install the assembly cartridge and stop in the body, adjust the stop pin into the notch(Fig.4).

**NOTE:** Do not turn the cartridge when reinstalling it. If you turned it accidentally, you should adjust it and be sure that the round mark is correctly in line with the groove(Fig.5), or readjust as per the steps of verification and setting.

Do not turn the cartridge spindle. Install the adapter spline kit(21). Ensure the indicator line on the adapter spline aligns with the indicator line on the stopper. Install the temperature handle(18). Make sure the button on the temperature handle is downward vertically. Tighten the screw(20) with a screwdriver. Install the plug(19)(Fig.6).

## 清洗说明

适用于所有加工处理过的表面：以中性肥皂水清洗镀层表面，再以干净的软布彻底擦干整个表面，许多清洁剂，比如氨水、去污粉及洁厕灵等，会对电镀表面造成伤害，切忌使用。

有磨损性的清洁用具或清洁剂也不可适用于科勒牌的水龙头及其配件上。

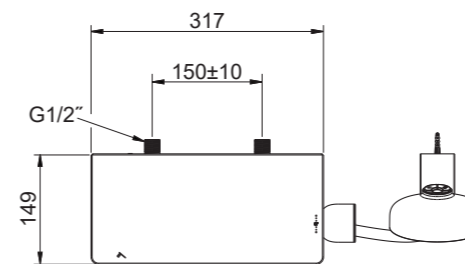
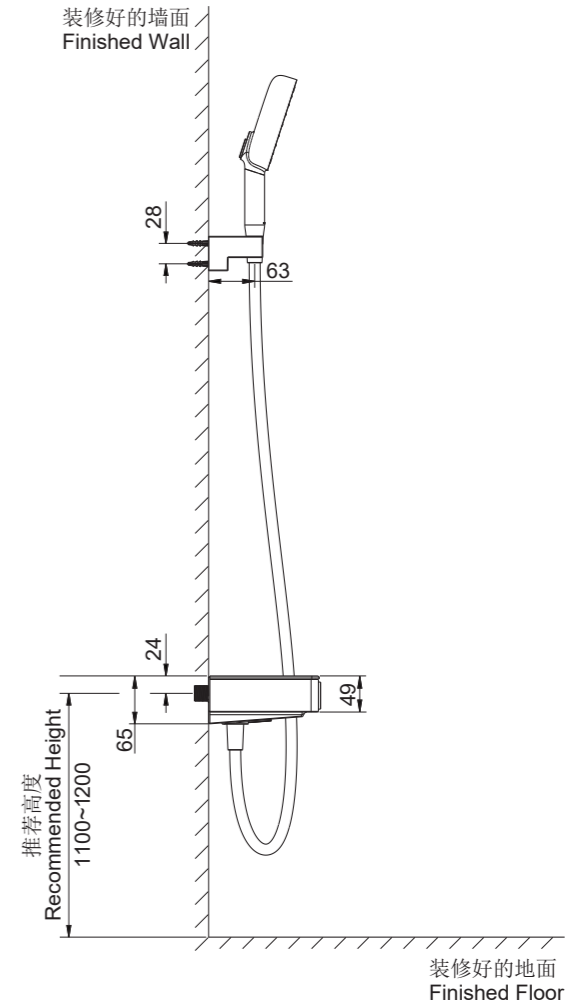
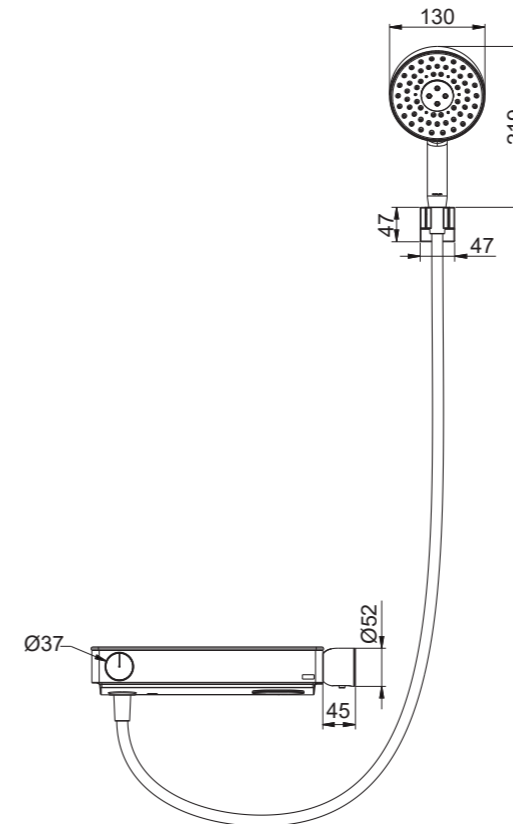
## CLEANING INSTRUCTIONS

All Finishes: Clean the finish with mild soap and warm water. Wipe entire surface completely dry with clean soft cloth. Many cleaners may contain chemicals, such as ammonia, chlorine, toilet cleaner etc. which could adversely affect the finish and are not recommended for cleaning.

Do not use abrasive cleaners or solvents on Kohler faucets and fittings.

## 安装尺寸(EX26328T)

## ROUGH-IN DIMENSIONS(EX26328T)



## 安装步骤

### 安装本体

为使安装顺利，G1/2"内螺纹管道配件(1)应已安装好，预留150mm的间距，保持水平，并垂直于装修好的平整墙面。彻底冲洗供水管，以清除管路中的杂质。

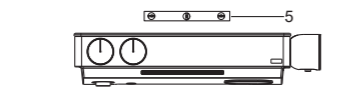
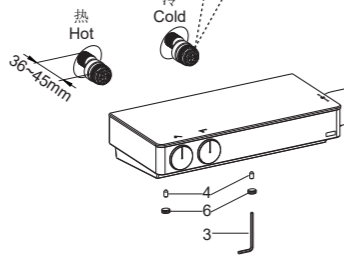
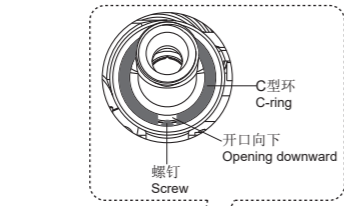
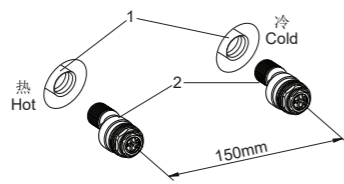
**注意：**请在安装进水接头(2)之前做供水管路水压测试。

在螺纹上缠绕足以密封的密封胶带或涂适合的密封胶，安装两个进水接头到冷热供水管上。

调节两个进水接头，使其中心距离为150mm并保持同一水平。它们凸出墙面的尺寸应该在36~45mm之间。**注意：**转动进水接头上的C型环确保开口向下，同时向前拉C型环使其卡紧进水接头。

用3mm六角扳手(3)调整两个紧固螺钉(4)，将龙头本体插入两个进水接头，使本体贴紧墙面，用水平尺(5)保证本体上表面水平。

用3mm六角扳手预紧两个紧固螺钉(螺钉穿过C型环开口顶在进水接头上)，然后装上塞扣(6)。



## INSTALLATION

### Install the Body

To perform installation, installer must provide G1/2" female supply fittings(1), spaced 150mm apart, horizontally and vertically to the finished flat wall. Flush the water supply pipes thoroughly to remove any debris.

**NOTE:** Apply water pressure test on water supply pipes before installing the connectors(2).

Apply enough tape or suitable sealant on threads of connectors. Install two connectors into the hot and cold supply pipes.

Adjust the center-to-center distance between the connectors to 150mm horizontally. They should extend 36~45mm beyond the finished wall.  
**NOTE:** Rotate the C-rings with their openings downward, and pull forward the C-rings to clamp the connectors.

Adjust two screws(4) with 3mm hex wrench(3). Install the faucet body to the connectors until it is against the finished wall. Make sure the upper surface is horizontal with the level(5).

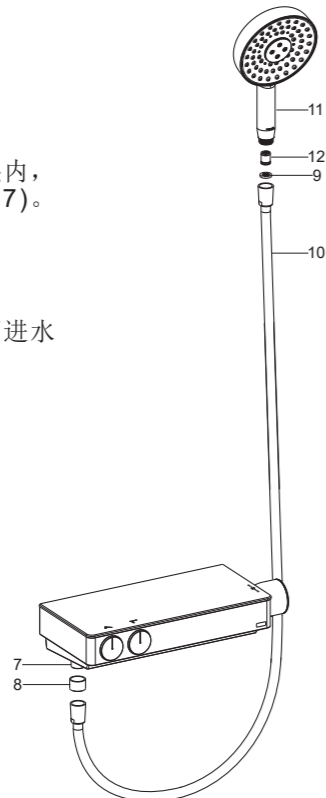
Pre-tighten two screws with 3mm hex wrench (The screws should contact with the connectors through the C-rings' openings). Press the plugs(6) into the faucet.

### 安装手持花洒

去掉接头(7)上的保护套(8)。

将滤网垫片(9)放入花洒软管(10)接头内，用软管连接手持花洒(11)与接头(7)。  
**注意：**不要过分拧紧。

可根据需要将单向阀(12)放入到花洒进水端。



### Install the Handshower

Remove the protector cap(8) from the connector(7).

Put the screen washer(9) into the shower hose (10). Connect the handshower(11) and connector(7) with shower hose. Tighten all the connectors. **NOTE:** Don't over tighten.

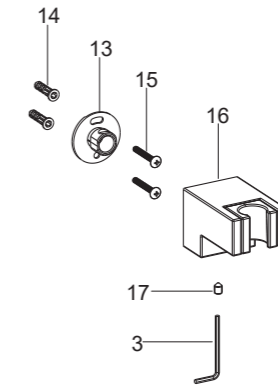
Install the check valve(12) into the handshower if needed.

### 安装花洒托架

在墙面选一合适的位置来安装托架。避开墙内管道和电线。

根据底座(13)孔距在墙面标记位置，依据膨胀塞(14)的直径打两个上下垂直的孔。安装膨胀塞。旋紧螺钉(15)，使底座固定紧贴墙壁。

在托架(16)底部涂上一圈密封油灰或密封胶。用3mm六角扳手(3)旋松托架下面的螺钉(17)，使托架能装入底座即可。用六角扳手锁紧螺钉将托架固定到墙壁上。去除多余油灰或密封胶。



### 安装结果检查

检查并确保所有衔接处都已拧紧，确保开关按键未开启。打开水源，使其流入阀芯。检查所有连接处是否漏水，根据需要修理之。

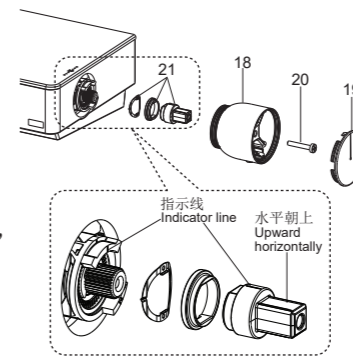
分别按压开关按键，检查各个衔接处连接是否良好，观察出水效果是否正常。关闭龙头。

### 温度测试与调整

温度测试前，应确保供水系统充分且有较高的温度。温控把手(18)上的按钮垂直朝下时，打开龙头让水流出。进行温度测量，出厂时温度设定在36~38°C范围之内。如超出这个范围，要进行调整。调整步骤如下：

取下把手上盖(19)，用螺丝刀取出螺钉(20)，卸下温控把手(18)和齿套组件(21)。

在正常水流状态下，由冷水位置开始慢慢转动温控阀轴(保持同一方向)直至获得37°C水流。如果温度超过37°C，回到冷水位置重新调整。温度稳定后，不要转动温控阀轴，将齿套组件(21)上的指示线装入。安装温控把手(18)，使温控把手上的按钮垂直朝下。用螺丝刀锁紧螺钉(20)，安装把手上盖(19)。

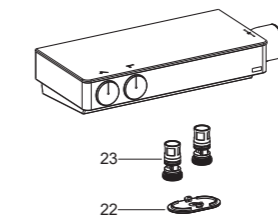


### 维护与保养

#### 清洗滤网

滤网可起到保护水龙头的作用，但长时间使用后，水垢或杂质可能会堵塞滤网降低水流量。

如有类似情况发生，关闭水源，取出本体底部的盖板(22)和单向阀组件(23)。用热醋清洗单向阀组件上的滤网。然后依次装回。



### Install the Bracket

Determine a suitable location on the finished wall to install bracket. Ensure it should avoid buried cables and pipes in the wall.

Mark the mounting holes of the base(13) on the wall according to the dimension. Drill two holes in the finished wall according to the anchors(14) diameter. Install the anchors. Tighten the screws (15) to fix the base on the finished wall.

Apply a ring of plumbers putty or other sealants around the underside of the bracket(16). Loosen the screw(17) in the bracket bottom with 3mm hex wrench(3) until the bracket can be installed into the base. Tighten the screw with the hex wrench to fix the bracket on the finished wall. Remove any excess putty or sealant.

### INSTALLATION CHECKOUT

Ensure that all connections are tight, the switch buttons are not turned on. Turn on the water supply. Run water through the valve. Check for leakage. Repair as needed.

Press the buttons separately. Check whether all connections and water flow are well. Shut off the faucet.

### Verification and Setting

Ensure that the water feeds of the faucet have reach the highest temperature by running the water sufficiently. When the button on the temperature handle(18) is downward vertically, the water temperature should be within a range of 36°C~38°C, as measured by a thermometer. If not, the installer can adjust the setting. Proceed with the setting as follows:

Remove the plug(19). Remove the screw(20) with a screwdriver. Take out the temperature handle(18) and adapter spline kit(21).

Under the normal condition of water flow, slowly turn the temperature selector(Always in the same direction) from the cold water position until water temperature reaches 37°C. If the temperature goes over 37°C, go back to the "cold" setting and reset it. When the temperature is stable, do not turn the cartridge spindle. Install the adapter spline kit(21). Make sure the indicator line on the adapter spline aligns with the indicator line on the stopper. Install the temperature handle(18). Ensure the button on the temperature handle is downward vertically. Tighten the screw(20) with a screwdriver. Install the plug(19).

### CARE AND MAINTENANCE

#### Clear the Filter

The filters can protect the faucet, but it may get obstructed and reduce water flow after a long time of use.

If this happens, turn off the water supply, take out the cover(22) and check valve kits(23) from the body bottom. Clean the filters of the check valve kits by soaking them in warm vinegar. Reinstall them in turn.