

### EX26330T-9 入墙式恒温淋浴花洒龙头 - 双功能头顶花洒

#### 安装之前

所有的资料是按最新发布的产品资料编写而成。科勒公司保留任何时候不经通知即可改变产品特性、包装或产品可供类型的权利。

说明书包括重要的安装、保养及清洁方面的内容，请把这些资料交给用户阅读。

#### BEFORE YOU BEGIN

All information is based on the latest product information available at the time of publication. Kohler Co. reserves the right to make changes in product characteristics, packaging, or availability at any time without notice.

Please leave these instructions for the consumer. They contain important information.

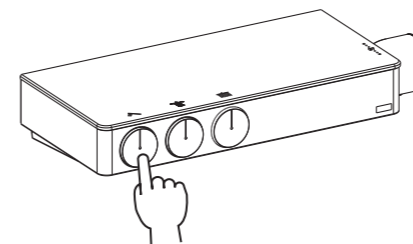
#### 使用环境

1. 最小供水压力: 0.1MPa(1bar)。
2. 推荐冷热供水的静态压力: 0.3MPa(3bar)。
3. 如果供水压力大于0.5MPa(5bar), 安装减压阀。
4. 热供水温度最低: 50°C; 最高: 80°C。
5. 推荐的热供水温度: 65°C。
6. 温度的设定基本范围为: 20°C到49°C。
7. 安全限位温度: 37°C。
8. 最高混合温度: 49°C。
9. 花洒最高工作温度及环境温度: 60°C。请特别注意花洒同花洒连接的臂管须远离浴霸, 否则可能损坏花洒及其密封件, 甚至对使用者造成伤害。

#### OPERATION CONDITIONS

1. Minimum supply pressures: 0.1MPa(1bar).
2. Recommended supply static pressures: 0.3MPa(3bar) on hot and cold water.
3. Supply pressure greater than 0.5MPa(5bar): install a pressure reducer.
4. Hot water temperatures, minimum: 50°C, maximum:80°C.
5. Recommended hot water temperature: 65°C(energy-saving).
6. Setting range, approximately: 20°C to 49°C.
7. Safety stop at: 37°C.
8. Maximum mixed water temperature: 49°C.
9. The highest water and environment temperature for handshower & showerhead is 60°C. Please keep the handshower, showerhead and shower arm away from heater, or it may become damaged and cause injury to the user.

#### 使用说明



慢慢旋转温控把手即右把手, 调整温度, 安全限位温度为37°C; 如想得到更高温度, 按住按钮继续逆时针旋转。

水流量和出水方式是通过开关按键来控制。按压本体上任意开关按键, 相应功能开启; 逆时针旋转开关按键, 流量变小。

#### OPERATION INSTRUCTIONS

开关按键上方图标说明  
Icon description above switch button

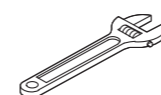


The temperature is set by slowly turning the temperature handle (right-hand handle). For safety reasons, there is a stop that limits temperature to 37°C. To get a higher temperature, push the button (on right-handle) and continue turning the temperature handle counter-clockwise.

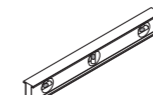
Water flow and dispense is set by switch buttons. Press any switch button on the faucet body, the water will run from corresponding outlet. Rotate the switch buttons counter-clockwise to reduce flow.

#### 工具和材料(自备)

#### TOOLS AND MATERIALS(NOT PROVIDED)



活动扳手  
Adjustable Wrench



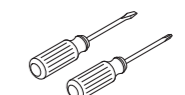
水平尺  
Level



电钻  
Drill



铅笔  
Pencil



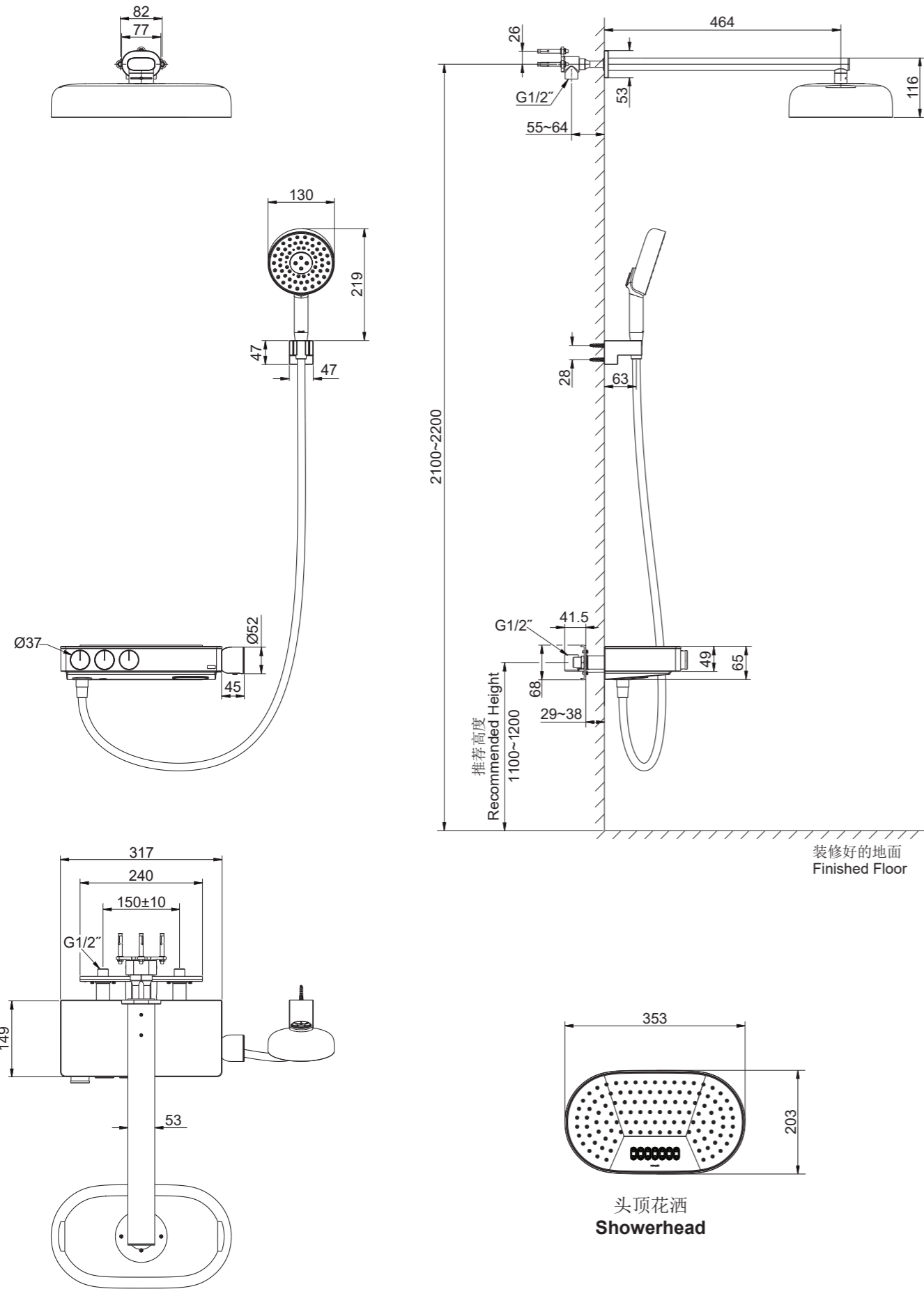
螺丝刀  
Screwdrivers



密封带  
Sealant Tape

安装尺寸

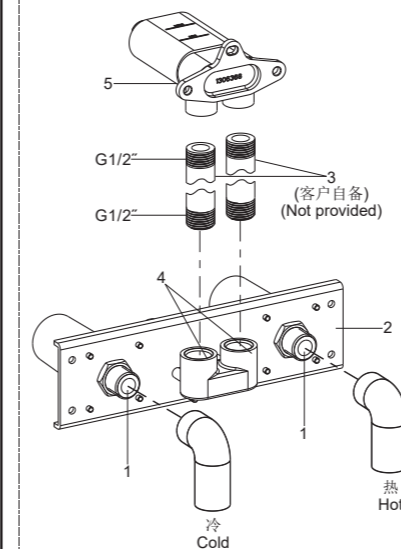
ROUGH-IN DIMENSIONS



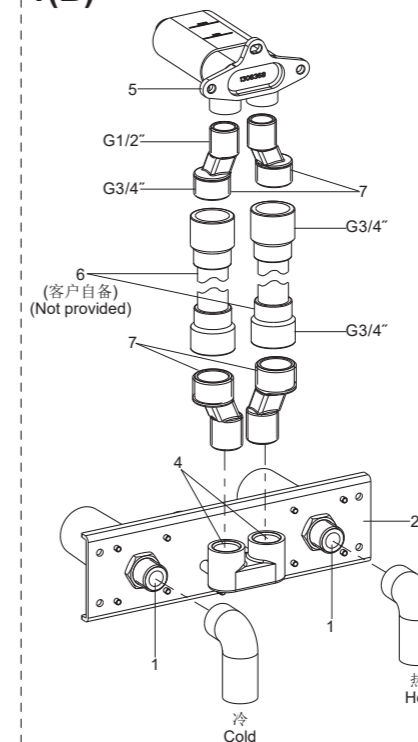
## 安装步骤

## INSTALLATION

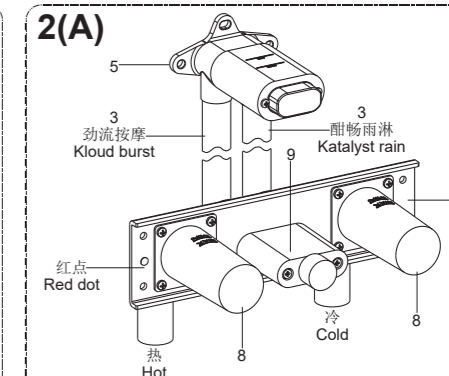
### 1(A)



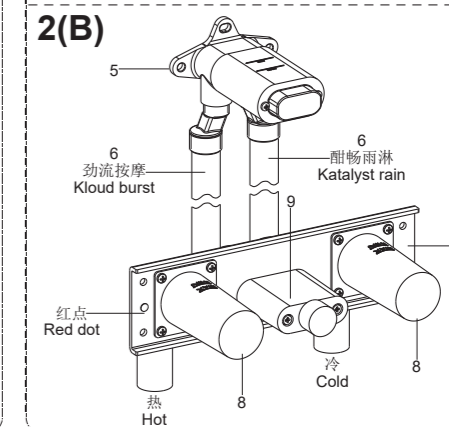
### 1(B)



### 2(A)



### 2(B)



### 连接埋墙管路

在两个接头(1)螺纹处缠绕足以密封的密封胶带或涂适合的密封胶, 将 G1/2" 冷热供水管分别接到两个接头, 且埋墙组件(2)带有红点标记一侧连接热水管。

用头顶花洒出水管(3, 客户自备)的接头(客户自备)试装接口(4), 如两个接头安装顺利不干涉, 参照**安装方式A**安装头顶花洒出水管; 如两个接头有干涉无法安装, 需要用到转接头(7), 参照**安装方式B**安装头顶花洒出水管。

**安装方式A:** 如图**1(A)**所示, 在头顶花洒出水管(3)的接头螺纹处缠绕足以密封的密封胶带或涂适合的密封胶, 将其中一端连接到接口(4), 另一端与花洒臂底座(5)连接。

**安装方式B:** 如图**1(B)**所示, 在四个转接头(7)螺纹处缠绕足以密封的密封胶带或涂适合的密封胶, 将其中两个转接头的 G1/2" 端连接到花洒臂底座(5), 将另外两个转接头的 G1/2" 端连接到接口(4), 将头顶花洒出水管(6, 客户自备)的 G3/4" 接头分别连接转接头(7)。

如图**2(A)**或**2(B)**所示, 确保头顶花洒出水管(3或6)与花洒臂底座(5)连接正确。

### 安装本体埋墙组件

安装过程中, 为了保护接头, 在没有指示的情况下不要去掉保护罩(8, 9)。

根据安装尺寸, 在垂直面的墙壁选一合适的位置安装埋墙组件(2)。如图**2(A)**或**2(B)**所示, 确保保护罩(8, 9)朝前, 且埋墙组件带有红点标记一侧朝左。**注意:** 安装时, 保证埋墙组件轴线方向与墙面垂直, 保护罩上平面水平。

### Connect the Pipes

Apply enough tape or suitable sealant on the threads of two connections(1). Install the G1/2" hot and cold supply pipes into two connections, and make sure the hot supply should be installed to the side with red dot of the inlet assembly(2).

Rehearse the installation of the connectors(not provided) of the showerhead outlet tubes(3, not provided) to determine which installation options will be chosen. If two connectors are installed to the connector(4) smoothly without interference, choose **option A** to install the showerhead outlet tubes. If two connectors can not be installed to the connector(4), the adapters(7) should be used and choose **option B**.

**Option A:** As figure **1(A)** shown, apply enough tape or suitable sealant on the threads of the showerhead outlet tubes(3, not provided). Connect one end of the showerhead outlet tubes with the connector(4), and connect the other end with shower arm base(5).

**Option B:** As figure **1(B)** shown, apply enough tape or suitable sealant on the threads of four adapters(7). Connect two adapters with the shower arm base(5), and connect the other two adapters with the connector(4). Connect the G3/4" connectors of the showerhead outlet tubes(6, not provided) with the adapters(7).

As figure **2(A)** or **2(B)** shown, ensure the showerhead outlet tubes(3 or 6) are connected correctly with shower arm base(5).

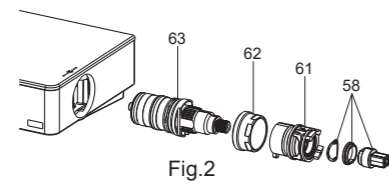
### Install the Inlet Assembly

During installation, please do not remove the protectors(8, 9) until instructed to do.

Select a location in the vertical wall to install the inlet assembly (2) according to rough-in dimensions. As figure **2(A)** or **2(B)** shown, make sure the protectors(8, 9) face front and the inlet assembly with red dot is on the left side. **NOTE:** Make sure the centerline of the inlet assembly is vertical to the wall, the upper surfaces of the protectors is horizontal.

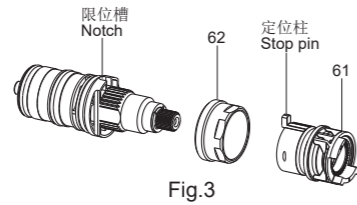


取下齿套组件(58),接着将螺母(62)和塑料套(61)卸下。小心地卸下温控阀(63)。用热醋进行清洗(Fig.2)。



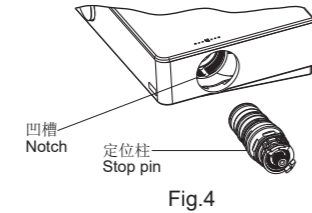
Remove the adapter spline kit(58), unscrew the nut(62) and stopper(61). Remove the cartridge (63) cautiously. Clean the cartridge by soaking it in warm vinegar(Fig.2).

清洗后,将螺母和塑料套(限位组件62 & 61)装到温控阀上,使塑料套的定位柱嵌入温控阀的限位槽内(Fig.3)。



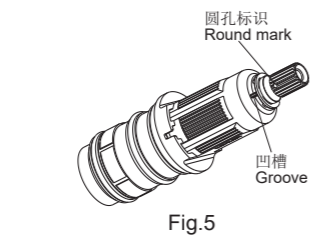
After cleaning, install the "stop assembly" (62 & 61) back on the cartridge, adjust the stop pin into the notch(Fig.3).

将塑料套的定位柱与龙头本体体内孔凹槽对齐,装入温控阀并锁紧螺母(Fig.4)。



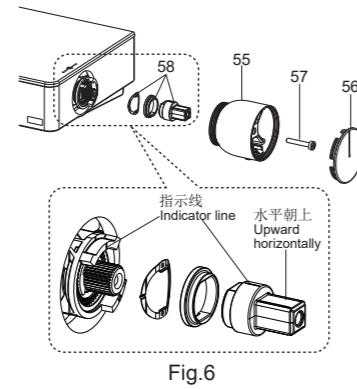
Install the assembly cartridge and stop in the body, adjust the stop pin into the notch(Fig.4).

**注意:** 确保拆卸、安装过程中不要转动温控阀轴。如不小心转动了阀轴,要调整阀轴使外齿上的圆孔标识与相邻的塑料套上的凹槽对齐(Fig.5),或者按前述方法进行调整。



**NOTE:** Do not turn the cartridge when reinstalling it. If you turned it accidentally, you should adjust it and be sure that the round mark is correctly in line with the groove(Fig.5), or readjust as per the steps of verification and setting.

不要转动温控阀轴,将齿套组件(58)上的指示线对准塑料套上的指示线装入。安装温控把手(55),使温控把手上的按钮垂直朝下。用螺丝刀锁紧螺钉(57),安装把手上盖(56)(Fig.6)。



Do not turn the cartridge spindle. Install the adapter spline kit(58). Ensure the indicator line on the adapter spline aligns with the indicator line on the stopper. Install the temperature handle(55). Make sure the button on the temperature handle is downward vertically. Tighten the screw(57) with a screwdriver. Install the plug(56)(Fig.6).

## 清洗说明

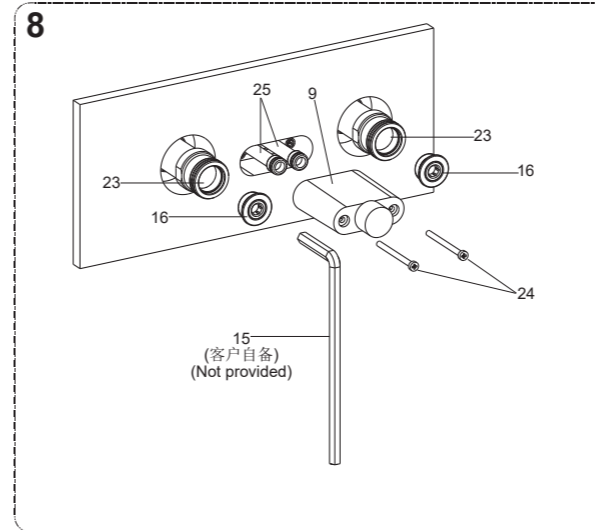
适用于所有加工处理过的表面:以中性肥皂水清洗镀层表面,再以干净的软布彻底擦干整个表面,许多清洁剂,比如氨水、去污粉及洁厕灵等,会对电镀表面造成伤害,切忌使用。

有磨损性的清洁用具或清洁剂也不可适用于科勒牌的水龙头及其配件上。

## CLEANING INSTRUCTIONS

All Finishes: Clean the finish with mild soap and warm water. Wipe entire surface completely dry with clean soft cloth. Many cleaners may contain chemicals, such as ammonia, chlorine, toilet cleaner etc. which could adversely affect the finish and are not recommended for cleaning.

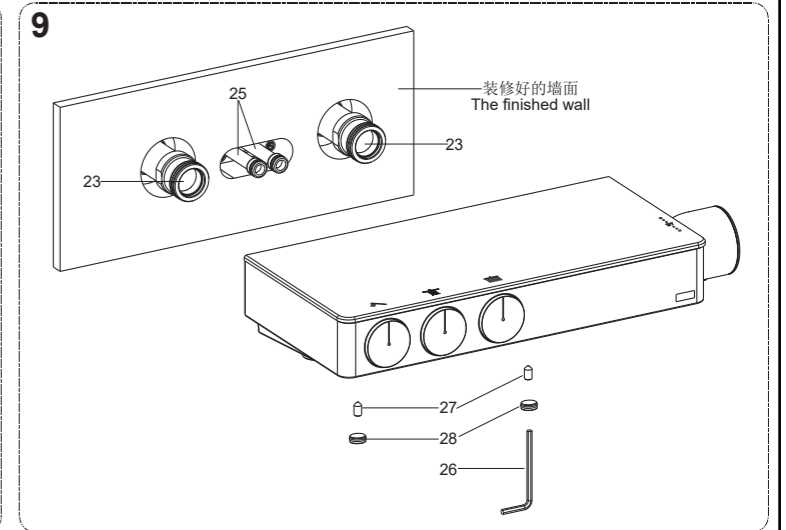
Do not use abrasive cleaners or solvents on Kohler faucets and fittings.



## 安装龙头本体

墙面装修好后,紧贴墙面切掉保护罩(8)。如图8所示,用8mm六角扳手(15,客户自备)拆下并扔掉装在进水接头(23)里的堵头(16)。用螺丝刀(客户自备)取出螺钉(24),再拔出保护罩(9),并检查进水接头(23)和头顶花洒连接管(25)上的O型圈是否完好。

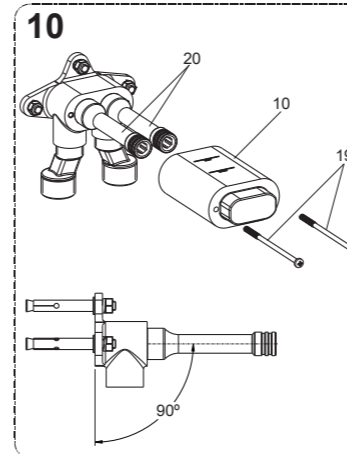
如图9所示,用3mm六角扳手(26)调整紧固螺钉(27)。将龙头本体插入两个进水接头(23)和头顶花洒连接管(25),使本体贴紧墙面。用3mm六角扳手锁紧两个紧固螺钉(27),然后装上塞扣(28)。



## Install the Faucet Body

Cut off the protectors(8) beyond the wall after the wall is finished. As figure 8 shown, uninstall and discard the plugs(16) from the connections(23) with 8mm hex wrench(15, not provided). Remove the screws(24) from the protector(9) with screwdriver(not provided) and pull it out. Check whether the O-rings on the connections(23) and showerhead tubes(25) are intact.

As figure 9 shown, adjust two screws(27) with 3mm hex wrench (26). Install the faucet body to the connections(23) and showerhead tubes(25) until it is against the finished wall. Tighten two screws(27) with 3mm hex wrench. Press the plugs(28) into the faucet.

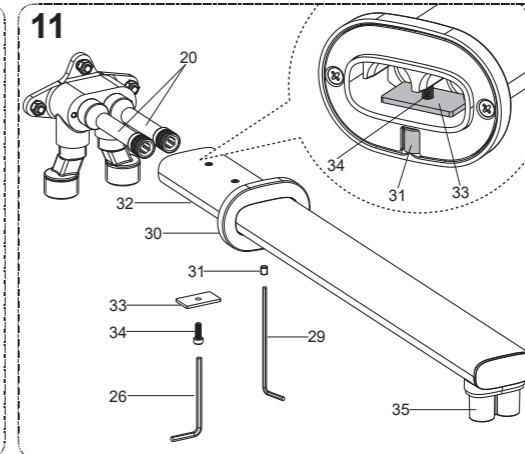


## 安装花洒臂

如图10所示,墙面装修好后,用螺丝刀(客户自备)卸下螺钉(19),取下保护罩(10)。接头(20)与墙壁成90°角。

如图11所示,用2.5mm六角扳手(29)旋松装饰罩(30)底部的螺钉(31),将装饰罩套到花洒臂(32)上。将花洒臂连同装饰罩装到接头(20)上,接着将垫片(33)塞入花洒臂内直至其螺钉孔对准花洒臂底部螺钉孔,然后从花洒臂底部装入螺钉(34)并用3mm六角扳手(26)锁紧以固定花洒臂。安装头顶花洒前不要取掉花洒臂上的保护套(35)。

如图12所示,在装饰罩(30)背面涂一圈油灰,后推装饰罩使其贴紧墙壁,用2.5mm六角扳手(29)锁紧装饰罩底部的螺钉(31)。去除多余油灰。

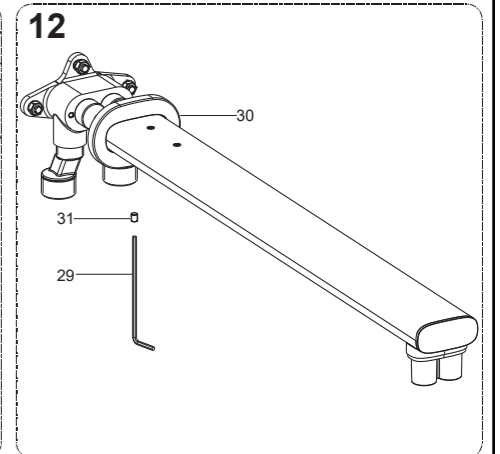


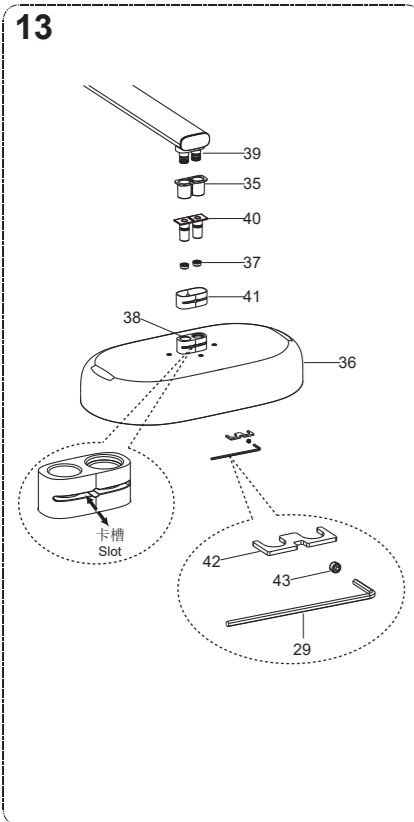
## Install the Shower Arm

As figure 10 shown, when the finished wall is completed, remove the screws(19) from the protector(10) with screwdriver(not provided) and pull it out. The angle between connectors(20) and finished wall should be 90 degrees.

As figure 11 shown, loosen the screw(31) of the escutcheon(30) with 2.5mm hex wrench(29). Slide the escutcheon onto the shower arm(32). Install the shower arm with the escutcheon onto the connectors(20). Insert the washer(33) into the shower arm until its hole is aligned with the bottom hole of the shower arm, and then install the screw(34) into the holes and tighten it with 3mm hex wrench(26) to secure the shower arm. Remain the protector cap(35) on the shower arm before the showerhead is installed.

As figure 12 shown, apply a ring of plumbers putty around the back surface of the escutcheon(30). Push the escutcheon until it is against the wall. Tighten the screw(31) into the bottom of the escutcheon with 2.5mm hex wrench(29). Remove any excess putty.





### 安装头顶花洒 (如图13所示)

根据需要，在安装头顶花洒(36)之前安装限流器(37)，将限流器装进头顶花洒接头(38)内。

分别去掉花洒臂出水口(39)和头顶花洒上的保护套(35, 40)，将装饰罩(41)安装在接头(38)上，接着从下往上把头顶花洒插入花洒臂出水口，**注意花洒方向**。

把销子(42)插入卡槽内，然后用2.5mm六角扳手(29)锁紧螺钉(43)。

**警告：**必须拧紧螺钉，否则易造成花洒脱落危及人身安全。

### 安装手持花洒 (如图14所示)

去掉接头(44)上的保护套(45)。

将滤网垫片(46)放入花洒软管(47)接头内，用软管连接手持花洒(48)与接头(44)。**注意：**不要过分拧紧。

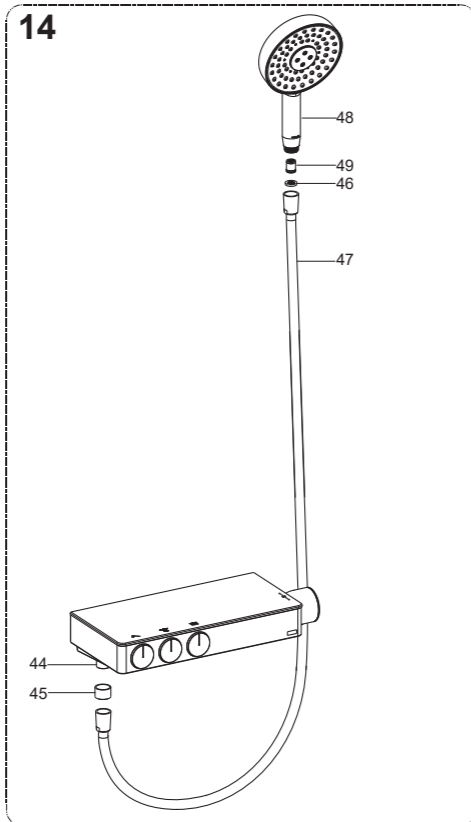
可根据需要将单向阀(49)放入到花洒进水端。

### 安装花洒托架 (如图15所示)

在墙面选一合适的位置来安装托架。避开墙内管道和电线。

根据底座(50)孔距在墙面标记位置，依据胀塞(51)的直径打两个上下垂直的孔。安装胀塞。旋紧螺钉(52)，使底座固定紧贴墙壁。

在托架(53)底部涂上一圈密封油灰或密封胶。用3mm六角扳手(26)旋松托架下面的螺钉(54)，使托架能装入底座即可。用六角扳手锁紧螺钉将托架固定到墙壁上。去除多余油灰或密封胶。



### Install the Showerhead (As figure 13 shown)

Before installation, install the regulators(37) if needed. Install the regulators into the connectors(38) of the showerhead(36).

Remove the protector caps(35, 40) from the shower arm outlet(39) and showerhead separately. Install the shell(41) onto the connectors(38). **Insert the showerhead to the shower arm outlet as shown.**

Insert the pin(42) into the slot. Tighten the screw(43) with 2.5mm hex wrench(29).

**WARNING:** Ensure the screw is tightened to avoid the product falling and personal injury.

### Install the Handshower (As figure 14 shown)

Remove the protector cap(45) from the connector(44).

Put the screen washer(46) into the shower hose(47). Connect the handshower(48) and connector(44) with shower hose. Tighten all the connectors. **NOTE:** Don't over tighten.

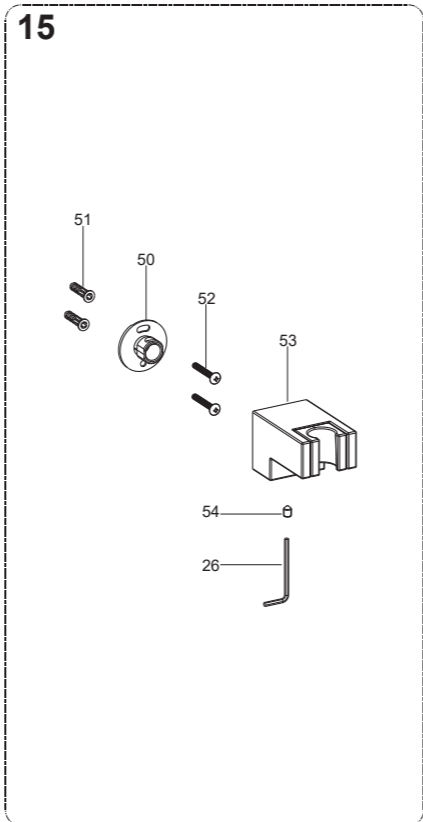
Install the check valve(49) into the handshower if needed.

### Install the Bracket (As figure 15 shown)

Determine a suitable location on the finished wall to install bracket. Ensure it should avoid buried cables and pipes in the wall.

Mark the mounting holes of the base(50) on the wall according to the dimension. Drill two holes in the finished wall according to the anchors(51) diameter. Install the anchors. Tighten the screws(52) to fix the base on the finished wall.

Apply a ring of plumbers putty or other sealants around the underside of the bracket(53). Loosen the screw(54) in the bracket bottom with 3mm hex wrench(26) until the bracket can be installed into the base. Tighten the screw with the hex wrench to fix the bracket on the finished wall. Remove any excess putty or sealant.



### 安装结果检查

检查并确保所有衔接处都已拧紧，确保开关按键未开启。打开水源，使其流入阀芯。检查所有连接处是否漏水，根据需要修理之。

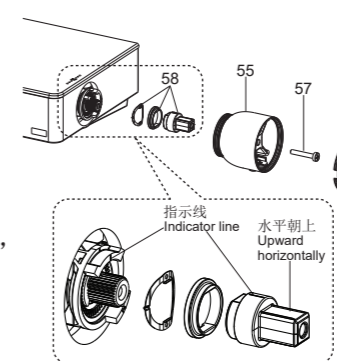
分别按压开关按键，检查各个衔接处连接是否良好，观察出水效果是否正常。关闭龙头。

### 温度测试与调整

温度测试前，应确保供水系统充分且有较高的温度。温控把手(55)上的按钮垂直朝下时，打开龙头让水流出。进行温度测量，出厂时温度设定在36~38°C范围之内。如超出这个范围，要进行调整。调整步骤如下：

取下把手上盖(56)，用螺丝刀取出螺钉(57)，卸下温控把手(55)和齿套组件(58)。

在正常水流状态下，由冷水位置开始慢慢转动温控阀轴(保持同一方向)直至获得37°C水流。如果温度超过37°C，回到冷水位置重新调整。温度稳定后，不要转动温控阀轴，将齿套组件(58)上的指示线对准塑料套上的指示线装入。安装温控把手(55)，使温控把手上的按钮垂直朝下。用螺丝刀锁紧螺钉(57)，安装把手上盖(56)。

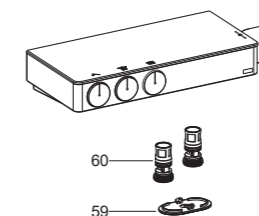


### 维护与保养

#### 清洗滤网

滤网可起到保护水龙头的作用，但长时间使用后，水垢或杂质可能会堵塞滤网降低水流量。

如有类似情况发生，关闭水源，取出本体底部的盖板(59)和单向阀组件(60)。用热醋清洗单向阀组件上的滤网。然后依次装回。

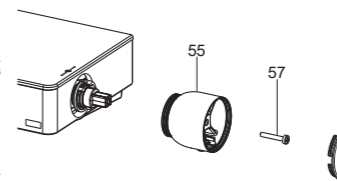


#### 清洗温控阀

如果供水的水质较硬或长时间使用，水垢或杂质会阻塞温控阀上的滤网，流量会降低。需要清理请按照下列步骤进行：

关闭供水系统，使流量阀处于打开位置后进行温控阀的拆卸作业。温控阀是较敏感的配件，要十分小心。

拆卸前确保温控把手(55)上的按钮垂直朝下。取下把手上盖(56)，用螺丝刀取出螺钉(57)，卸下温控把手(55)。



### INSTALLATION CHECKOUT

Ensure that all connections are tight, the switch buttons are not turned on. Turn on the water supply. Run water through the valve. Check for leakage. Repair as needed.

Press the buttons separately. Check whether all connections and water flow are well. Shut off the faucet.

### Verification and Setting

Ensure that the water feeds of the faucet have reach the highest temperature by running the water sufficiently. When the button on the temperature handle(55) is downward vertically, the water temperature should be within a range of 36°C~38°C, as measured by a thermometer. If not, the installer can adjust the setting. Proceed with the setting as follows:

Remove the plug(56). Remove the screw(57) with a screwdriver. Take out the temperature handle(55) and adapter spline kit(58).

Under the normal condition of water flow, slowly turn the temperature selector(Always in the same direction) from the cold water position until water temperature reaches 37°C. If the temperature goes over 37°C, go back to the "cold" setting and reset it. When the temperature is stable, do not turn the cartridge spindle. Install the adapter spline kit(58). Make sure the indicator line on the adapter spline aligns with the indicator line on the stopper. Install the temperature handle(55). Ensure the button on the temperature handle is downward vertically. Tighten the screw(57) with a screwdriver. Install the plug(56).

### CARE AND MAINTENANCE

#### Clear the Filter

The filters can protect the faucet, but it may get obstructed and reduce water flow after a long time of use.

If this happens, turn off the water supply, take out the cover(59) and check valve kits(60) from the body bottom. Clean the filters of the check valve kits by soaking them in warm vinegar. Reinstall them in turn.

#### Clear the Thermostatic Cartridge

Very hard water can obstruct filters on the thermostatic cartridge and reduce the water flow. Please clean the cartridge as follows:

Shut off the water supply of the faucet and turn on the water flow valve, then proceed to remove the cartridge. The cartridge is sensitive part, please be careful.

Before your action, ensure the button on the temperature handle(55) is downward vertically. Remove the plug(56). Remove the screw(57) with a screwdriver. Take out the temperature handle(55).