

Homeowners Guide

Smart Toilet

Record your model number:
Noter le numéro de modèle:
Anoté su número de modelo: _____

Français, page 19
Español, página 39

KOHLER®

Thank You for Choosing KOHLER

Need help? Contact our Customer Care Center.

- USA/Canada: 1-800-4KOHLER (1-800-456-4537) Mexico: 001-800-456-4537
Hours of Operation: Monday-Friday 8:00 AM -5:00 PM (CT)
Languages Spoken: English, Spanish, and translation services are available.
- **Service parts:** kohler.com/serviceparts
- **Care and cleaning:** kohler.com/clean
- **Patents:** kohlercompany.com/patents


Warranty

This product is covered under the KOHLER® Intelligent Toilet and C3® Cleansing Seat Three-Year Limited Warranty, found at kohler.com/warranty. For a hardcopy of warranty terms, contact the Customer Care Center.


IMPORTANT SAFEGUARDS AND PRECAUTIONS


READ ALL INSTRUCTIONS BEFORE USING


When using electrical products, especially when children are present, basic safety precautions should always be followed, including the following:


 **DANGER: Risk of electric shock.** Connect only to a circuit protected by a Ground-Fault Circuit-Interrupter (GFCI)*.


*Outside North America, this may be known as a Residual Current Device (RCD).


 **WARNING: Risk of electric shock.** Disconnect the power before servicing.

 **WARNING: Risk of personal injury.** RG-3 UV radiation emitted from this device. Unintended use of the device, or damage to the housing, may result in exposure to ultraviolet radiation. Skin or eye injury could result. Avoid exposure of eyes and skin to unshielded lamp. Always be certain the lamp is off before opening the protective cover.

 **CAUTION: Risk of personal injury.** Replacement of the UV lamp must only be performed by qualified service personnel. The UV lamp cover has an interlock to reduce the risk of excessive ultraviolet radiation. Do not bypass the interlock. Reinstall the interlock after servicing.

 **CAUTION: Risk of product damage.** Do not install this product in a location exposed to excessive moisture where condensation might form on the product surface. Provide adequate ventilation when bathing to avoid damage to the electronic components due to high humidity levels.

 **CAUTION: Risk of product damage.** To reduce the risk of product malfunction, do not supply electrical power to the unit until the plumbing installation work has been completed.

 **CAUTION: Risk of product damage.** Do not apply excessive force to the spray wand.

NOTE: This product contains thermal protectors that may trip during storage or transportation in warm conditions, causing the unit to not operate. Allow the unit to cool to room temperature before installation or operation.



WARNING: To reduce the risk of burns, electrocution, fire, or injury to persons:

Close supervision is necessary when this product is used by or near children, the elderly, or invalids. Do not allow the product to be used as a toy. Adjust the temperature of the seat for the elderly, those who are incapacitated, or persons with sensitive skin.

Use this product only for its intended use as described in this manual. Only use attachments recommended by Kohler Co.

Never operate this product if the cord or plug is damaged; if the product is not working properly; if the product has been dropped, damaged, or dropped into water. Return the product for examination and repair.

Keep the cord away from heated surfaces.

Never block the air openings of the product. Keep the air openings free of lint, hair, and the like.

Never use while sleeping or drowsy.

Never drop or insert any object into any opening or hose.

Do not use outdoors or operate where aerosol spray products are being used or where oxygen is being administered.

Connect this product to a properly grounded outlet only. See the "Grounding Instructions" section.

The use of this product is a supplement to and not a substitute for standard infection control practices; users must continue to follow all current infection control practices, including those related to the cleaning and disinfection of environmental surfaces.

This product conforms to applicable provisions of US 21 CFR, Chapter 1, Subchapter J, Radiological Health.

READ AND FOLLOW ALL INSTRUCTIONS

SAVE THESE INSTRUCTIONS

Grounding Instructions

This product should be grounded. In the event of an electrical short circuit, grounding reduces the risk of electric shock by providing an escape wire for the electric current. This product is equipped with a cord having a grounding wire with a grounding plug. The plug must be plugged into an electrical outlet that is properly installed and grounded.



DANGER: Risk of electric shock. Improper use of the grounding plug can result in a risk of electric shock.

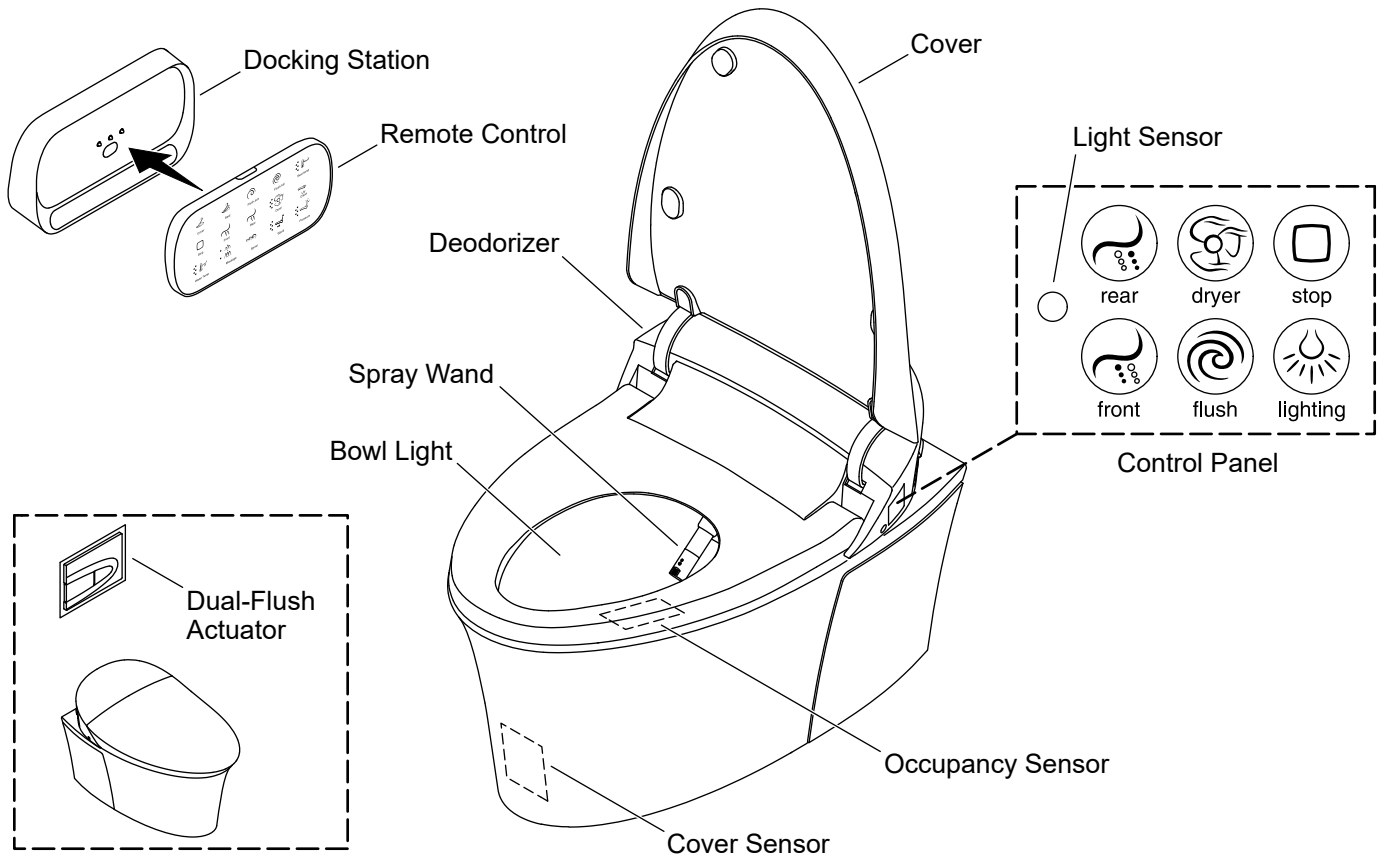
If repair or replacement of the cord or plug is necessary, do not connect the grounding wire to either flat blade terminal. The wire with insulation having an outer surface that is green with or without yellow stripes is the grounding wire.

Check with a qualified electrician or service personnel if the grounding instructions are not completely understood, or if in doubt whether the product is properly grounded.

This product is factory equipped with a specific electric cord and plug to permit connection to a proper electric circuit. Verify that the product is connected to an outlet having the same configuration as the plug. No adapter should be used with this product. Do not modify the plug provided. If the plug does not fit the outlet, have the proper outlet installed by a qualified electrician. If the product must be reconnected for use on a different type of electric circuit, the connection should be made by qualified service personnel.

Do not use an extension cord with the product.

Features



Operation Options

- Remote Control** - When paired with the toilet, the remote control operates the toilet features. Refer to the “Remote Control Setup” section for more information.
- Control Panel** - Located on the side of the toilet, the control panel allows easy access to primary toilet features.
- Dual-flush Actuator** - Located on the wall above the toilet, The actuator allows manual or touchless flush.

Flushing Options

- Automatic Flush** - When enabled, this feature automatically flushes the toilet after the user stands up, lowers the cover, or approximately 60 seconds after the front of the toilet last senses motion.
- Large Dual-flush Button** - For touchless full flush, hold your hand in front of the large button for 1.6 gpf (6.1 lpf). For manual flush, push the button.
- Small Dual-flush Button** - For touchless reduced flush, hold your hand in front of the small button for 0.8 gpf (3 lpf). For manual flush, push the button.

Seat and Cover

- Cover Sensor** - When the cover auto-open/close feature is enabled, a motion sensor on the front of the toilet automatically opens the cover. The motion sensor range can be set to near, medium, or far. Sensor range may vary depending on your bathroom layout.
- Occupancy Sensor** - The sensor area is located on the front right side of the seat, and detects a seated user. The cleansing features will function only when a user is seated.
- Heated Seat** - When activated, the seat features an adjustable heating option that will keep the seat warm.

- Energy Save** - When enabled, the toilet conserves energy by reducing the heated seat temperature when the toilet is not in use.

Wash Features

- Front/Rear Wash** - Front and rear wash feature adjustable positioning, adjustable water temperature, adjustable water pressure, and pulsate and oscillate water action.
- Dryer** - The dryer features adjustable air temperature.

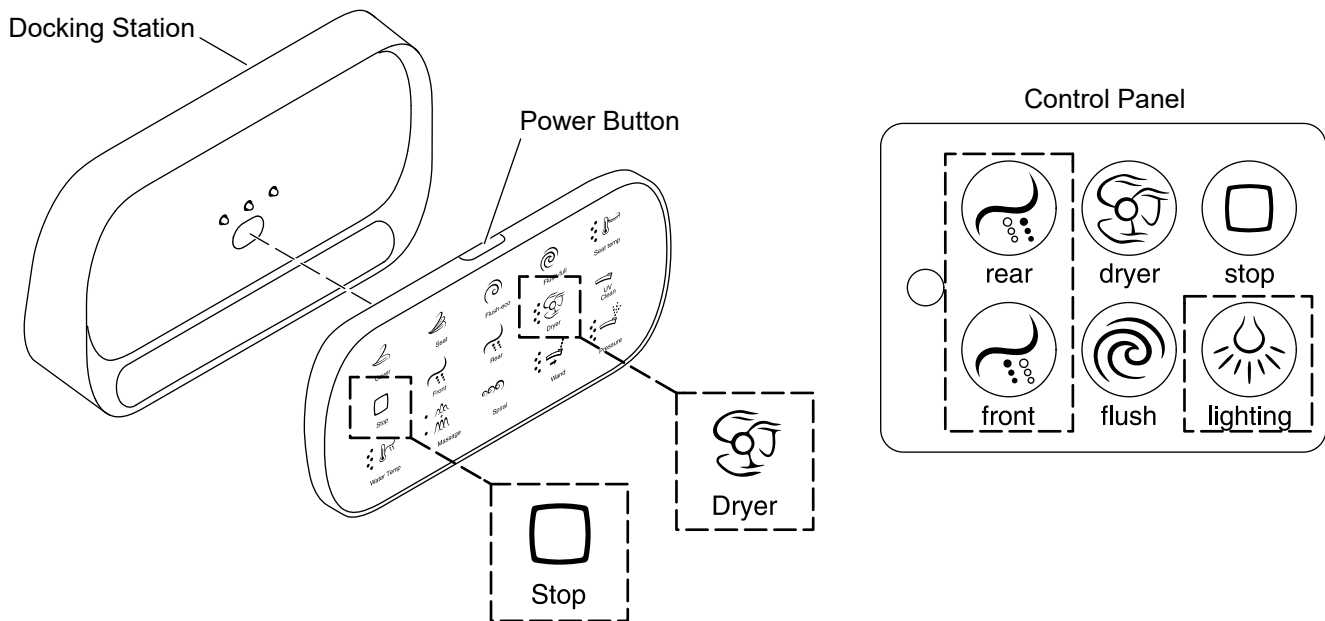
Lighting

- Nightlight** - The bowl light automatically illuminates when the light sensor detects low lighting conditions.

Cleaning

- Deodorizer** - Contains a replaceable cartridge. Refer to the "Replacing the Deodorizer" section.
- Automatic Wand Rinse** - The spray wand is rinsed with water before and after each use.
- Automatic Wand Cleaning** - The spray wand is cleaned daily with UV light.
- Cleaning Mode** - Temporarily disables automatic flush and extends the spray wand to allow manual cleaning of the toilet and wand.

Remote Control Setup



NOTE: The remote control must be charged to operate. The “**Stop**” icon will blink when the remote control needs to be charged.

- Verify that four AA batteries are installed correctly in the docking station. Refer to the “Replacing the Batteries” section.
- Place the remote control on the docking station.
- When the “**Stop**” icon on the remote control stops blinking, the remote control has been adequately charged.

Pairing to the Toilet

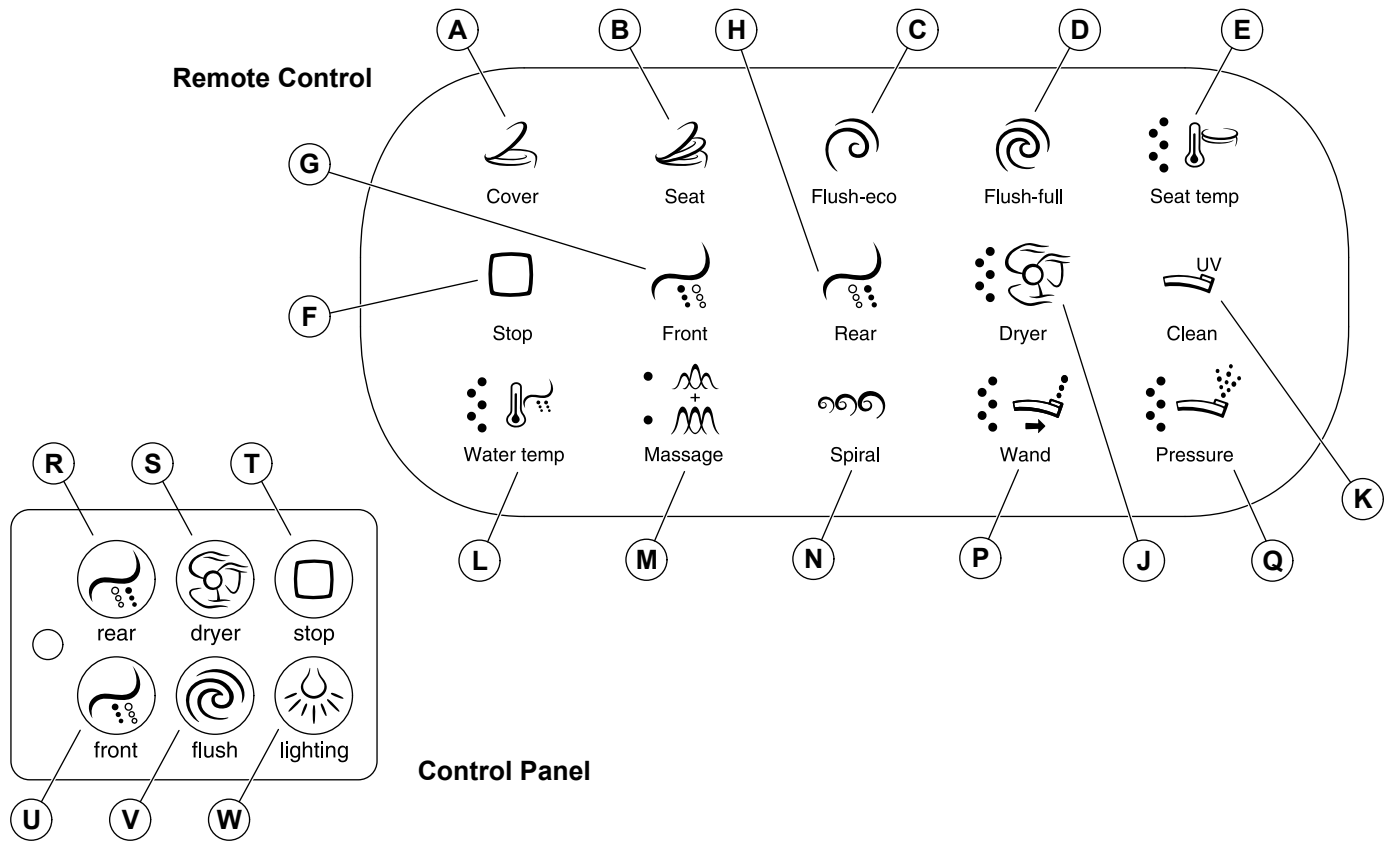
NOTE: The icons on the bottom row of the remote control will blink when the remote control is not paired or is out of range of the toilet.

NOTE: Only one remote control can be paired with the toilet seat at a time.

NOTE: The remote control cannot be paired while the toilet seat is occupied.

- Press the power button to turn on the remote control.
- Move the remote control near the toilet. The bottom row of icons should be flashing.
- Press and hold the “**Dryer**” icon on the remote control until all the icons blink twice.
- Simultaneously press and hold the “**Front**” and “**Rear**” icons on the toilet control panel until a beep is heard.
- When the icons on the remote control stop blinking, the remote control has been paired.

Directions For Use



NOTE: Features can be activated using the remote control. Some features can be activated using the control panel on the side of the seat.

NOTE: For features with multiple settings, press the plus or minus icon on the remote control to change the setting level. The last setting used will be saved for the next use.

(A) - Cover: With the seat unoccupied, press to open or close the seat cover.

(B) - Seat: With the seat unoccupied, press to raise or lower the seat.

(C) - Eco Flush: Press to flush the toilet with 0.8 gpf (3.0 lpf).

(D and V) - Full Flush: Press to flush the toilet with 1.6 gpf (6 lpf).

(E) - Seat Temp: While seated, press to adjust the heated seat temperature. There are five settings.

(F and T) - Stop: Press to stop any activated wash features or the dryer.

(G and U) - Front: Press to activate the front wash feature. The feature will stop after approximately 5 minutes.

(H and R) - Rear: Press to activate the rear wash feature. The feature will stop after approximately 5 minutes.

(J and S) - Dryer: Press to activate the dryer. Press again to increase the air temperature. There are five settings.

(K) - Clean: With the seat cover down, press to run the UV cleaning cycle on the wand. Lift the seat cover to end the cleaning cycle. The feature is active when the icon is blinking.

(L) - Water Temp: Press to adjust the water spray temperature. There are five settings.

(M) - Massage: When a wash feature is active, press the icon once to oscillate the wand back and forth. Press again to pulsate the water flow. Press a third time to oscillate and pulsate simultaneously. Press again to stop the feature.

(N) - Spiral: When the rear wash feature is active, press the icon to activate spiral water spray. Press again to stop the feature.

(P) - Wand: When a wash feature is active, press the icon to adjust the wand position. There are five settings.

(Q) - Pressure: When a wash feature is active, press the icon to adjust the water pressure. There are five settings.

(W) - Lighting: Press to deactivate the nightlight. Press again to reactivate nightlight.

Enable/Disable Automatic Features

NOTE: Automatic features come enabled from the factory.

Cover Open/Close

- When enabled, the seat cover automatically opens when the toilet is approached. The seat cover will automatically close 2 minutes after the toilet has been used.
- Press and hold the **“Lighting”** icon on the control panel until the nightlight blinks three times.
- Press and hold the **“Cover”** icon on the remote control each time to change between options. The nightlight blinks once when the sensor is set to short distance, twice for middistance, and three times for long distance.
- The nightlight blinks slowly when the feature is disabled.

Deodorizer

- When enabled, the deodorizer automatically activates while the toilet is in use.
- Press and hold the **“Lighting”** icon on the control panel until the nightlight blinks three times.
- Press and hold the **“Seat”** icon on the remote control. The nightlight will blink.
- The nightlight blinks once quickly when the feature is enabled, or blinks slowly when disabled.

Automatic Flush

- When enabled, the toilet will automatically flush after the user stands up, lowers the cover, or approximately 60 seconds after the front of the toilet last senses motion.
- Press and hold the **“Lighting”** icon on the control panel until the nightlight blinks three times.
- Press and hold the **“Flush-full”** icon on the remote control. The nightlight will blink.
- The nightlight blinks once quickly when the feature is enabled, or blinks slowly when disabled.

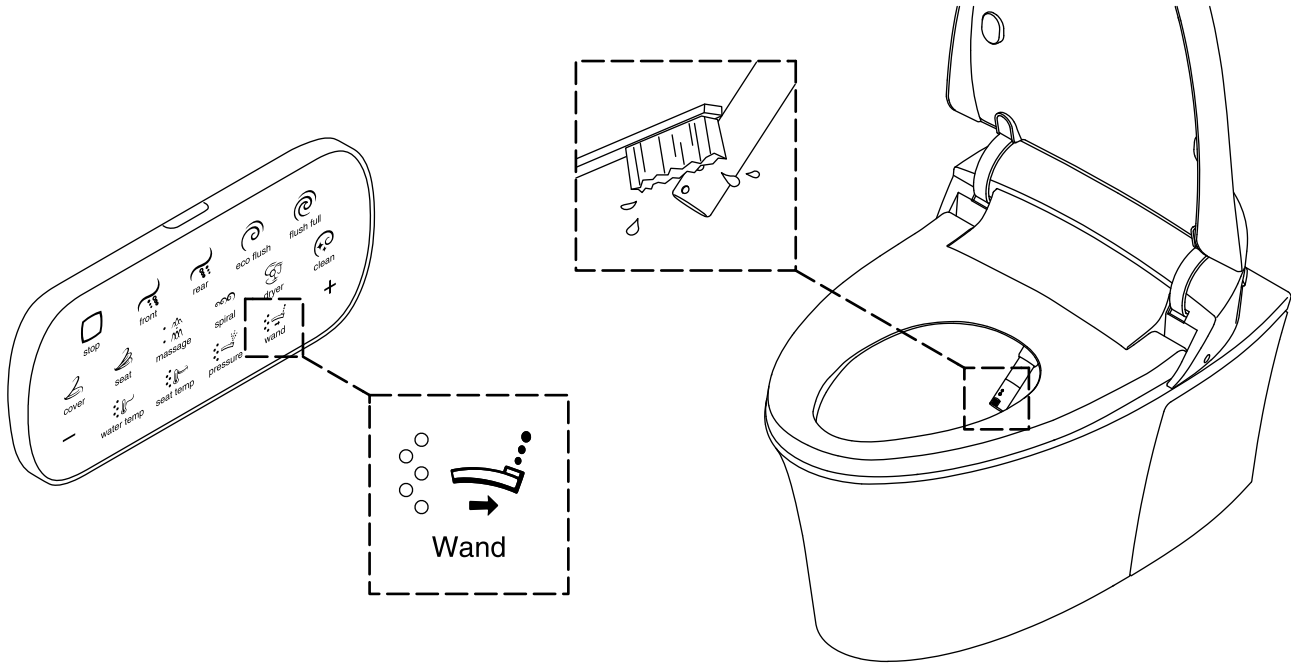
Automatic UV Cleaning

- When enabled, an automatic UV cleaning cycle activates every 24 hours. Lifting the seat cover ends the process.
- Press and hold the **“Lighting”** icon on the control panel until the nightlight blinks three times.
- Press and hold the **“Clean”** icon on the remote control. The nightlight will blink.
- The nightlight blinks once quickly when the feature is enabled, or blinks slowly when disabled.

Energy Save

- When enabled, the toilet conserves energy by reducing the heated seat temperature when the toilet is not in use. When disabled, the seat will remain at the set level even when not in use.
- Press and hold the **“Lighting”** icon on the control panel until the nightlight blinks three times.
- Press and hold the **“Seat Temp”** icon on the remote control. The nightlight will blink.
- The nightlight blinks once quickly when the feature is enabled, or blinks slowly when disabled.

Cleaning the Spray Wand



NOTE: The spray tip on the wand can become clogged over time with mineral deposits from the water. The spray wand should be cleaned when there is a reduction in spray performance.

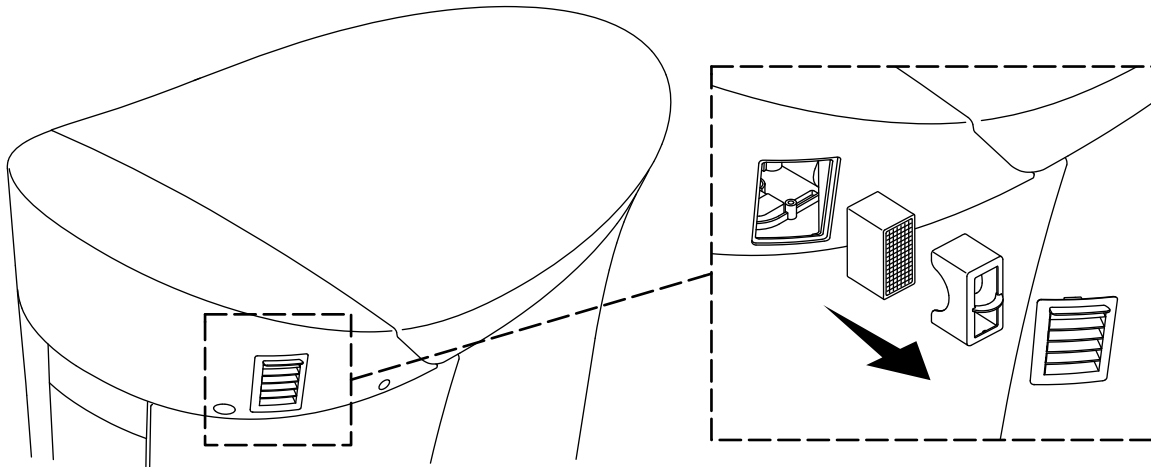
NOTE: The spray wand can only be extended for cleaning when the seat is not activated or occupied.

- Raise the lid and seat.
- On the remote control, press the **“Wand”** icon to extend the wand forward for cleaning.
- Clean the spray wand with a soft-bristled brush and hot water.
- Press the **“Wand”** icon again or press the **“Stop”** icon to retract the wand.

Automatic UV Cleaning

- An automatic UV cleaning cycle activates every 24 hours.
- Lifting the seat cover will end a UV cycle that is in process.

Replacing the Deodorizer

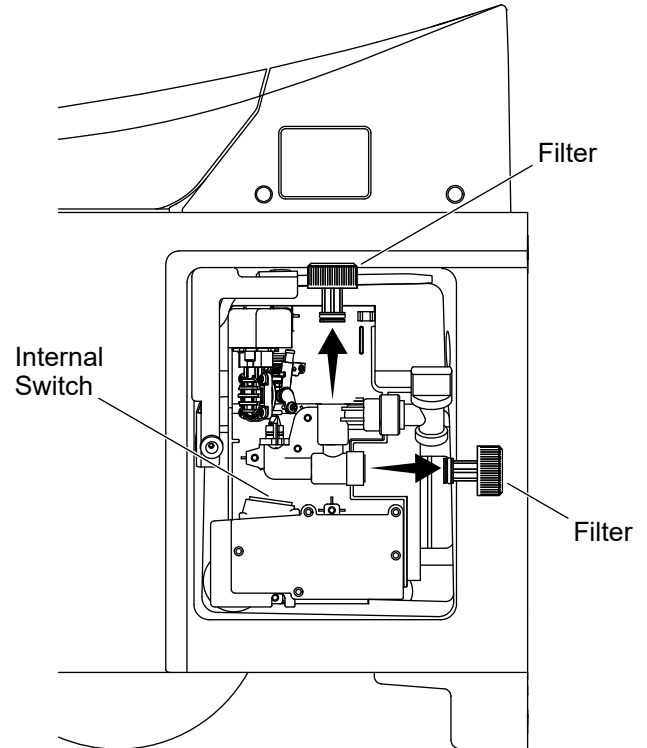
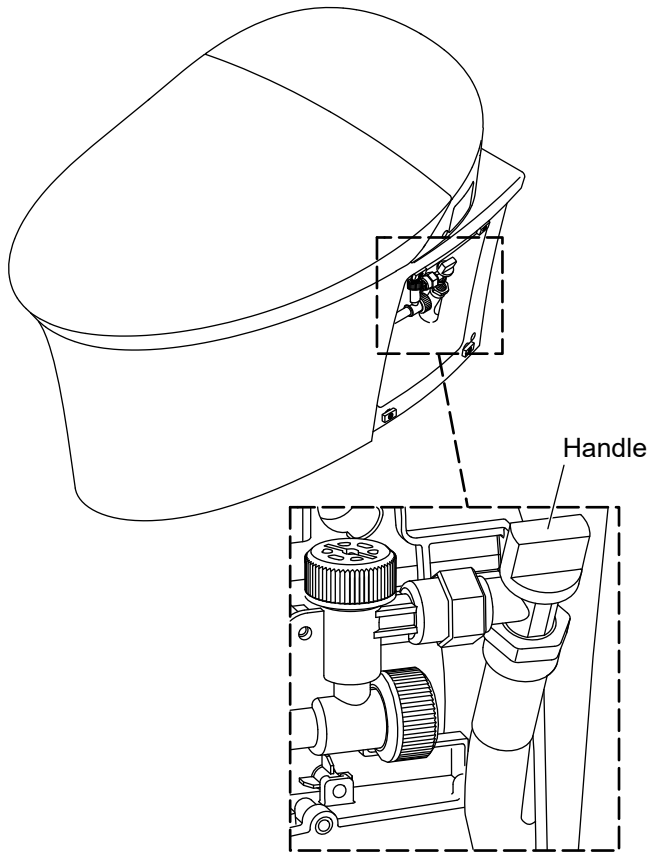


⚠ CAUTION: Risk of product damage. To prevent damage to internal components during deodorizer block replacement, do not insert fingers or other objects into the deodorizer cavity.

NOTE: Replace the deodorizer every 2 years or when the deodorizing performance decreases.

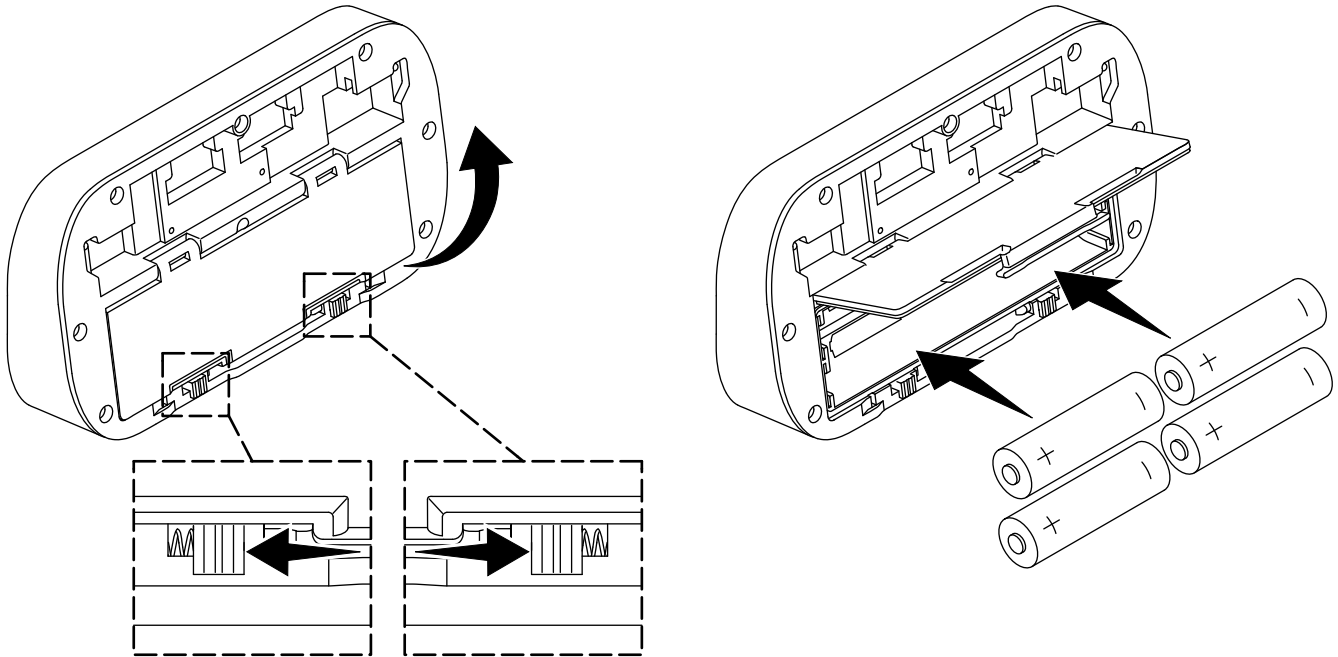
- Remove the cover.
- Carefully remove the deodorizer housing from the seat.
- Remove the deodorizer block from the housing.
- Insert the new deodorizer block into the housing.
- Reinstall the housing into the seat.
- Reinstall the cover.

Servicing the Filters



- Turn OFF the water at the supply stop.
- Flush the toilet to relieve water pressure.
- Remove the right side panel.
- Turn OFF the power to the toilet by flipping the internal switch.
- Remove the filters.
- If the filters are damaged, replace them.
- If the filters are clogged, clean with a soft-bristled brush.
- Reinstall the filters.
- Turn ON the power to the toilet by flipping the internal switch.
- Turn ON the water supply.
- Reattach the right side panel.

Replacing the Batteries



NOTE: The red light on the docking station will blink when the batteries are low. The “**Stop**” icon on the remote control will blink when the remote control has a low charge and should be returned to the docking station.

- Remove the remote control from the docking station.
- Remove the docking station from the wall by carefully lifting up and out.
- To open the back compartment on the docking station, push both tabs outward at the same time.
- Remove the batteries.
- Install the replacement batteries, oriented as shown.
- Reinstall the cap to the battery compartment.
- Place the remote control on the docking station.

Troubleshooting

This troubleshooting guide is for general aid only. A Kohler Co. Authorized Service Representative (ASR) or qualified electrician should correct any electrical problems. For warranty service, contact your dealer or wholesale distributor, or contact the Customer Care Center using the information located in the front of this manual.

Start Up

When electrical power is connected to the toilet, the toilet will automatically go through a start-up sequence. The sequence includes wand movement, waterline purge, and nightlight blinks. The toilet will go silent when the start-up sequence is complete.

If the toilet does not function correctly upon completing the start-up sequence, or fails to start, contact the Customer Care Center using the information located in the front of this manual.

Small Children

The automatic flush and cleansing features are activated by a sensor located inside the seat. Small children may not be tall enough to be detected by the sensor.

Power Troubleshooting

Symptoms	Probable Cause	Recommended Action
1. The toilet has no power.	<p>A. The power is not turned ON.</p> <p>B. The power cord is unplugged from the electrical outlet.</p> <p>C. The Ground-Fault Circuit-Interrupter (GFCI) or Residual Current Device (RCD) is tripped.</p>	<p>A. Remove the right side panel and turn ON the internal power switch.</p> <p>B. Plug the power cord into a GFCI or RCD electrical outlet.</p> <p>C. Reset the GFCI or RCD.</p>
2. The toilet beeps when electrical power is connected or disconnected.	<p>A. The toilet beeps during the start-up sequence and when powering down.</p>	<p>A. Normal operation. No action is needed.</p>
3. The toilet does not respond.	<p>A. Electrical power to the toilet was briefly interrupted.</p>	<p>A. Turn OFF the electrical power to the toilet and wait until the power-down beeps stop. Then restore the power to the toilet.</p>
4. The nightlight does not turn ON in low lighting conditions.	<p>A. The nightlight is not enabled.</p> <p>B. The low light sensor lens is dirty.</p>	<p>A. Enable the nightlight. Refer to the “Enable/Disable Automatic Features” section.</p> <p>B. Clean the light sensor lens on the side of the toilet near the control panel.</p>

Flush Troubleshooting

Symptoms	Probable Cause	Recommended Action
1. The toilet does not flush.	<p>A. The water supply to the toilet is not turned ON.</p> <p>B. The toilet is blocked.</p> <p>C. The remote control is not working.</p>	<p>A. Turn ON the water supply.</p> <p>B. Use a plunger to remove the blockage. For extreme blockage, a snake may be used.</p> <p>C. Refer to the “Remote Control Troubleshooting” section.</p>

Symptoms	Probable Cause	Recommended Action
2. The toilet does not flush automatically.	<p>A. The automatic flush feature is not enabled.</p> <p>B. The user is not detected by the sensor.</p>	<p>A. Activate automatic flush. Refer to the “Enable/Disable Automatic Features” section.</p> <p>B. Children may be too small to be detected by the sensor. Flush the toilet using the remote control.</p>
3. The toilet flushes unexpectedly.	<p>A. The automatic flush feature is enabled.</p>	<p>A. When automatic flush is enabled, the toilet will flush shortly after use. To disable automatic flush, refer to the “Enable/Disable Automatic Features” section.</p>
4. The toilet bowl contains little or no water.	<p>A. The water has evaporated during an extended period between uses.</p>	<p>A. Flush the toilet to refill the bowl.</p>

Seat and Cover Troubleshooting

Symptoms	Probable Cause	Recommended Action
1. The seat cover does not open automatically.	<p>A. The cover open/close feature is not enabled.</p> <p>B. The motion sensor is set at a far distance.</p>	<p>A. Activate the cover open/close feature. Refer to the “Enable/Disable Automatic Features” section.</p> <p>B. Adjust the cover open/close sensor distance using the remote control.</p>
2. The seat cover opens unexpectedly.	<p>A. The motion sensor is set at a short distance.</p>	<p>A. Adjust the cover open/close sensor distance using the remote control.</p>
3. The seat is not heated.	<p>A. The toilet is in Energy Save mode.</p> <p>B. The heated seat feature is not enabled.</p> <p>C. The temperature setting is too low.</p>	<p>A. The seat will heat when used. Refer to the “Enable/Disable Automatic Features” section.</p> <p>B. Activate the heated seat. Refer to the “Enable/Disable Automatic Features” section.</p> <p>C. Adjust the heated seat temperature using the remote control.</p>

Wash Troubleshooting

Symptoms	Probable Cause	Recommended Action
1. Low or no water flow from the spray wand.	<p>A. The water supply to the toilet is not turned ON.</p> <p>B. The water supply hose to the toilet is kinked or looped too tight.</p> <p>C. The sensor does not detect the user.</p> <p>D. The filters are blocked or damaged.</p>	<p>A. Turn ON the water supply to the seat.</p> <p>B. Remove the kink in the hose or make a wider loop.</p> <p>C. Small children may not be detected. Adjust the sitting position. The sensor may have difficulty with fabric or other objects. The sensor is designed to sense skin.</p> <p>D. Service the filters. Refer to the “Servicing the Filters” section.</p>
2. Water stops flowing from the spray wand unexpectedly.	<p>A. Front or rear wash automatically stops after several minutes.</p>	<p>A. Press the “Front” or “Rear” icon to restart washing.</p>

Symptoms	Probable Cause	Recommended Action
3. The spray wand moves erratically or fails to extend.	<p>A. The wash cycle was interrupted.</p> <p>B. The spray wand is not responding to the remote control.</p> <p>C. The user is not detected by the sensor.</p> <p>D. The seal protecting against waterflow into the seat is dry.</p> <p>E. The spray wand pauses briefly to get rinsed, then fully retracts.</p>	<p>A. Turn OFF the power button on the back of the toilet and wait 10 seconds. Turn ON the power.</p> <p>B. Turn OFF the power button on the back of the toilet and wait 10 seconds. Turn ON the power.</p> <p>C. Children may be too small to be detected by the sensor.</p> <p>D. Use the remote control to extend the spray wand. Clean the wand with liquid soap. Rinse the wand, then apply more liquid soap for lubrication. Retract the wand.</p> <p>E. Normal operation. No action required.</p>
4. The dryer air is too hot.	<p>A. The air temperature is set too high.</p>	<p>A. Use the remote control to decrease the air temperature.</p>
5. The dryer does not start immediately.	<p>A. The spray wand has not finished retracting after the wash cycle completion.</p>	<p>A. There is a brief delay while the wand fully retracts, then extends again for the dryer cycle.</p>
6. The deodorizer is not working.	<p>A. The automatic deodorizer feature is not enabled.</p>	<p>A. Activate the automatic deodorizer feature. Refer to the “Enable/Disable Automatic Features” section.</p>
7. The toilet beeps while occupied.	<p>A. The seat has been occupied for an extended time.</p>	<p>A. Normal operation. No action required.</p>

Remote Control Troubleshooting

Symptoms	Probable Cause	Recommended Action
1. The remote control does not turn on.	<p>A. The batteries are not properly installed.</p> <p>B. The batteries need to be replaced.</p>	<p>A. Reinstall the batteries. Refer to the “Replacing the Batteries” section.</p> <p>B. Replace the batteries. Refer to the “Replacing the Batteries” section.</p>
2. The remote control does not connect to the toilet.	<p>A. The remote control is too far from the toilet to receive a signal.</p> <p>B. The remote control is not paired with the toilet.</p>	<p>A. Move the remote control closer to the toilet to regain a connection.</p> <p>B. Pair the remote control to the toilet. Refer to the “Remote Control Setup” section.</p>

Compliance

Contains FCC IDs: N82-KOHLER053, N82-KOHLER051

Remote Control Contains FCC ID: N82-KOHLER051

IFT: RCPKOK523-0137

This device complies with Part 15 of the FCC Rules. Operation is subject to the following two conditions: (1) this device may not cause harmful interference, and (2) this device must accept any interference received, including interference that may cause undesired operation.

Changes or modifications not expressly approved by the party responsible for compliance could void the user's authority to operate the equipment.

This equipment has been tested and found to comply with the limits for a Class B digital device, pursuant to Part 15 of the FCC Rules. These limits are designed to provide reasonable protection against harmful interference in a residential installation. This equipment generates, uses, and can radiate radio frequency energy and, if not installed and used in accordance with the instructions, may cause harmful interference to radio communications. However, there is no guarantee that interference will not occur in a particular installation. If this equipment does cause harmful interference to radio or television reception, which can be determined by turning the equipment off and on, the user is encouraged to try to correct the interference by one of the following measures:

- Reorient or relocate the receiving antenna.
- Increase the separation between the equipment and receiver.
- Connect the equipment into an outlet on a circuit different from that to which the receiver is connected.
- Consult the dealer or an experienced radio/TV technician for help.

RF Exposure Warning

This transmitter with its antenna complies with FCC's RF exposure limits for general population/uncontrolled exposure. This device must not be co-located or operated in conjunction with any other antenna or transmitter. This device should be operated with a minimum distance of 7-7/8" (200 mm) between the radiator and your body.

Contains ICs: 4554A-KOHLER053, 4554A-KOHLER051

Remote Control Contains IC: 4554A-KOHLER051

This device complies with Industry Canada license-exempt RSS standard(s). Operation is subject to the following two conditions: (1) this device may not cause interference, and (2) this device must accept any interference, including interference that may cause undesired operation of the device.

This transmitter with its antenna complies with Industry Canada RF Exposure Limits for General Population/Uncontrolled Exposure.

This Class B digital apparatus complies with Canadian ICES-003.

Guide du propriétaire

Toilette intelligente

Merci d'avoir choisi KOHLER

Besoin d'aide? Appeler notre centre de services à la clientèle.

- USA/Canada : 1-800-4KOHLER (1-800-456-4537) Mexique : 001-800-456-4537
Heures d'ouverture : Lundi au vendredi de 8 h à 17 h (HNC)
Langues parlées : Anglais, Espagnol, et des services de traduction sont disponibles.
- **Pièces de rechange** : kohler.com/serviceparts
- **Entretien et nettoyage** : kohler.com/clean
- **Brevets** : kohlercompany.com/patents


Garantie

Ce produit est couvert sous la **garantie limitée de trois ans des toilettes intelligentes et sièges de lavage C3® KOHLER**, fournie sur le site kohler.com/warranty. Pour obtenir une copie imprimée des termes de la garantie, s'adresser au centre de services à la clientèle.

MESURES DE PROTECTION ET DE PRÉCAUTION IMPORTANTES


LIRE TOUTES LES INSTRUCTIONS AVANT UTILISATION


Lors de l'utilisation de produits électriques, et en particulier en présence d'enfants, toujours observer les mesures de sécurité de base, dont les suivantes :


 **DANGER : Risque de choc électrique.** Uniquement connecter à un circuit protégé par un disjoncteur de fuite à la terre (GFCI)*.


*Hors de l'Amérique du Nord, ce dispositif pourrait être connu sous le nom de dispositif à courant résiduel (RCD).


 **AVERTISSEMENT : Risque de choc électrique.** Débrancher l'alimentation électrique avant un entretien.

 **AVERTISSEMENT : Risque de blessures.** Rayonnement RG-3 UV émis par ce dispositif. Une utilisation non prévue du dispositif ou un endommagement du logement pourrait créer une exposition à un rayonnement ultraviolet. Cela pourrait créer des lésions de la peau ou des yeux. Éviter toute exposition des yeux et de la peau à une lampe non protégée par un écran. Toujours s'assurer que la lampe est éteinte avant d'ouvrir le couvercle de protection.


 **ATTENTION : Risque de blessures.** Le remplacement de la lampe UV peut seulement être effectué par un technicien d'entretien qualifié. Le couvercle de la lampe UV est doté d'un système de verrouillage destiné à réduire le risque d'un rayonnement ultraviolet excessif. Ne pas annuler le verrouillage. Réinstaller le verrouillage après l'entretien.

 **ATTENTION : Risque d'endommagement du produit.** Ne pas installer ce produit dans un emplacement exposé à un excès d'humidité et où de la condensation pourrait se former sur la surface du produit. Fournir une ventilation adéquate lors des bains afin d'éviter d'endommager les composants électroniques en raison de niveaux d'humidité élevés.

 **ATTENTION : Risque d'endommagement du produit.** Pour réduire le risque de mauvais fonctionnement du produit, ne pas fournir d'alimentation électrique au dispositif avant d'avoir achevé le travail d'installation de la plomberie.

 **ATTENTION : Risque d'endommagement du produit.** Ne pas appliquer de force excessive sur la baguette de pulvérisation.

REMARQUE : Ce produit contient des protecteurs thermiques qui pourraient se déclencher pendant l'entreposage ou le transport dans des conditions chaudes, et le dispositif ne fonctionnera pas. Laisser le dispositif se refroidir à la température ambiante avant de l'installer ou de l'utiliser.

 **AVERTISSEMENT : Pour réduire le risque de brûlures, d'électrocution, d'incendie ou de lésions corporelles :**

Il est nécessaire de superviser de près lorsque ce produit est utilisé par des enfants ou à proximité d'enfants, ou des personnes âgées ou handicapées. Ne pas laisser utiliser ce produit en tant que jouet. Ajuster la température du siège pour les personnes âgées, les personnes frappées d'incapacité, ou les personnes dont la peau est sensible.

Utiliser ce produit uniquement pour l'usage auquel il est destiné, comme décrit dans ce manuel. Uniquement utiliser des accessoires recommandés par Kohler Co.

Ne jamais faire fonctionner ce produit si le cordon ou la prise sont endommagés, s'il ne fonctionne pas correctement, s'il est tombé, s'il est endommagé, ou s'il est tombé dans de l'eau. Retourner le produit pour le faire examiner et réparer.

Tenir le cordon à distance des surfaces chauffées.

Ne jamais bloquer les ouvertures d'air du produit. S'assurer de l'absence de peluches, de cheveux ou d'autres éléments similaires sur les ouvertures d'air.

Ne jamais utiliser ce dispositif lorsque l'on dort ou si l'on se sent somnolent.

Ne jamais faire tomber ou insérer un objet quelconque dans une ouverture ou un tuyau.

Ne pas utiliser ce dispositif à l'extérieur et ne pas le faire fonctionner en présence de produits aérosols ou si l'on administre de l'oxygène.

Connecter ce produit à une prise mise à la terre de manière adéquate uniquement. Voir la section « Instructions de mise à la terre ».


L'utilisation de ce produit est un supplément des pratiques de prévention des infections standard et non pas un substitut de telles pratiques; les utilisateurs doivent continuer à respecter toutes les pratiques de prévention des infections actuelles, y compris celles qui ont trait au nettoyage et à la désinfection des surfaces environnementales.

Ce produit est conforme aux conditions applicables de l'US 21 CFR, Chapitre 1, Sous-chapitre J, Radiological Health (Hygiène radiologique).

LIRE ET SUIVRE TOUTES LES INSTRUCTIONS

Instructions de mise à la terre

Ce produit devrait être mis à la terre. En cas de court-circuit électrique, la mise à la terre réduit le risque de choc électrique en fournissant un câble d'échappement pour le courant électrique. Ce produit est équipé d'un cordon muni d'un fil de mise à la terre avec une fiche de mise à la terre. La fiche doit être branchée sur une prise électrique installée et mise à la terre de manière adéquate.

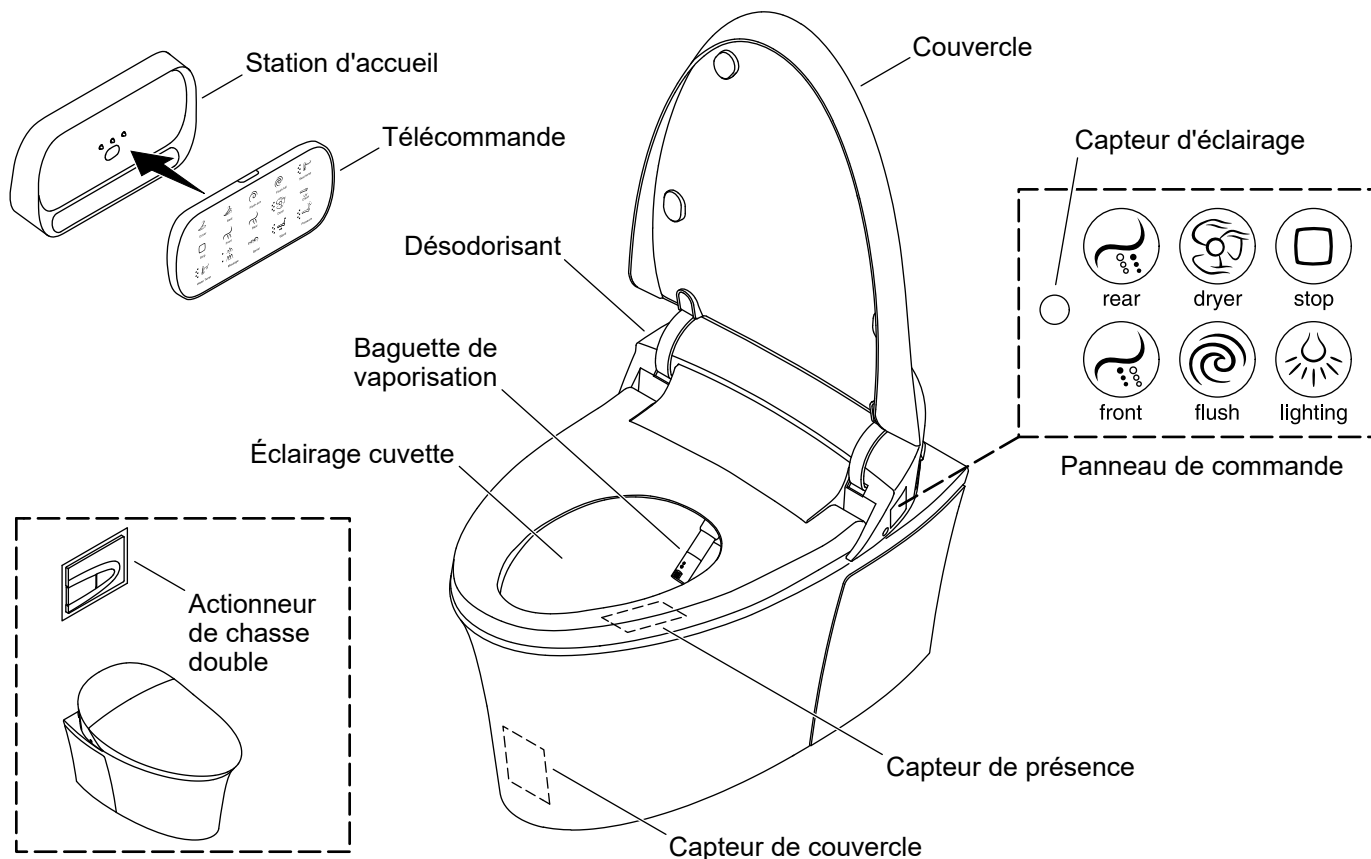
 **DANGER : Risque de choc électrique.** L'utilisation incorrecte de la fiche de mise à la terre peut résulter en risque de choc électrique.

S'il est nécessaire de réparer ou de remplacer le cordon ou la fiche, ne pas brancher le fil de mise à la terre à l'une des bornes à lame plate. Le câble avec isolation dont la surface extérieure est verte avec ou sans rayures jaunes est le fil de mise à la terre.

Vérifier auprès d'un électricien qualifié ou d'un technicien préposé à l'entretien si les instructions de mise à la terre ne sont pas bien comprises ou en cas de doute sur la mise à la terre adéquate du produit.

Ce produit est équipé en usine avec un cordon et une fiche électriques spécifiques pour permettre le branchement à un circuit électrique adéquat. Vérifier que le produit est connecté à une prise ayant la même configuration que celle de la fiche. Aucun adaptateur ne devrait être utilisé avec ce produit. Ne pas modifier la fiche fournie. Si la fiche ne s'adapte pas à la prise, faire installer une prise adéquate par un électricien qualifié. Si le produit doit être rebranché pour être utilisé sur un circuit électrique d'un type différent, le branchement devrait être effectué par un technicien préposé à l'entretien qualifié.

Ne pas utiliser de cordon de rallonge avec le produit.



Options d'utilisation

- Télécommande** - Lorsqu'elle est appariée à la toilette, la télécommande commande les fonctionnalités de la toilette. Se reporter à la section « Configuration de la télécommande » pour obtenir de l'information supplémentaire.
- Panneau de commande** - Situé sur le côté de la toilette, le panneau de commande permet d'accéder facilement aux fonctionnalités principales de la toilette.
- Actionneur de chasse double** - Situé sur le mur au-dessus de la toilette, l'actionneur permet une chasse manuelle ou une chasse sans contact.

Options de chasse

- Automatic Flush (Chasse automatique)** - Lorsqu'elle est activée, cette fonctionnalité passe automatiquement la chasse une fois que l'utilisateur se lève, abaisse le couvercle, ou 60 secondes environ après que l'avant de la toilette a détecté un mouvement en dernier lieu.
- Grand bouton de chasse double** - Pour une chasse complète sans contact, tenir la main devant le grand bouton pour 1,6 gpf (6,1 lpf). Pour une chasse manuelle, appuyer sur le bouton.
- Petit bouton de chasse double** - Pour une chasse réduite sans contact, tenir la main devant le petit bouton pour 0,8 gpf (3 lpf). Pour une chasse manuelle, appuyer sur le bouton.

Siège et couvercle

- Capteur de couvercle** - Lorsque la fonctionnalité d'ouverture/de fermeture automatique du couvercle est activée, un capteur de mouvement situé sur l'avant de la toilette, ouvre le couvercle automatiquement. La plage du capteur de mouvement peut être réglée sur proche, moyenne, ou éloignée. La plage du capteur peut varier en fonction de la disposition de la salle de bain en question.

- **Capteur de présence** - La zone du capteur se trouve sur le côté avant droit du siège et détecte un utilisateur assis. Les fonctionnalités de lavage fonctionnent uniquement quand un utilisateur est assis.
- **Siège chauffé** - Lorsque cette fonctionnalité est activée, le siège offre une option de chauffage réglable qui gardera le siège chaud.
- **Économie d'énergie** - Lorsque cette fonctionnalité est activée, la toilette conserve de l'énergie en réduisant la température du siège chauffé lorsque la toilette n'est pas utilisée.

Fonctionnalités de lavage

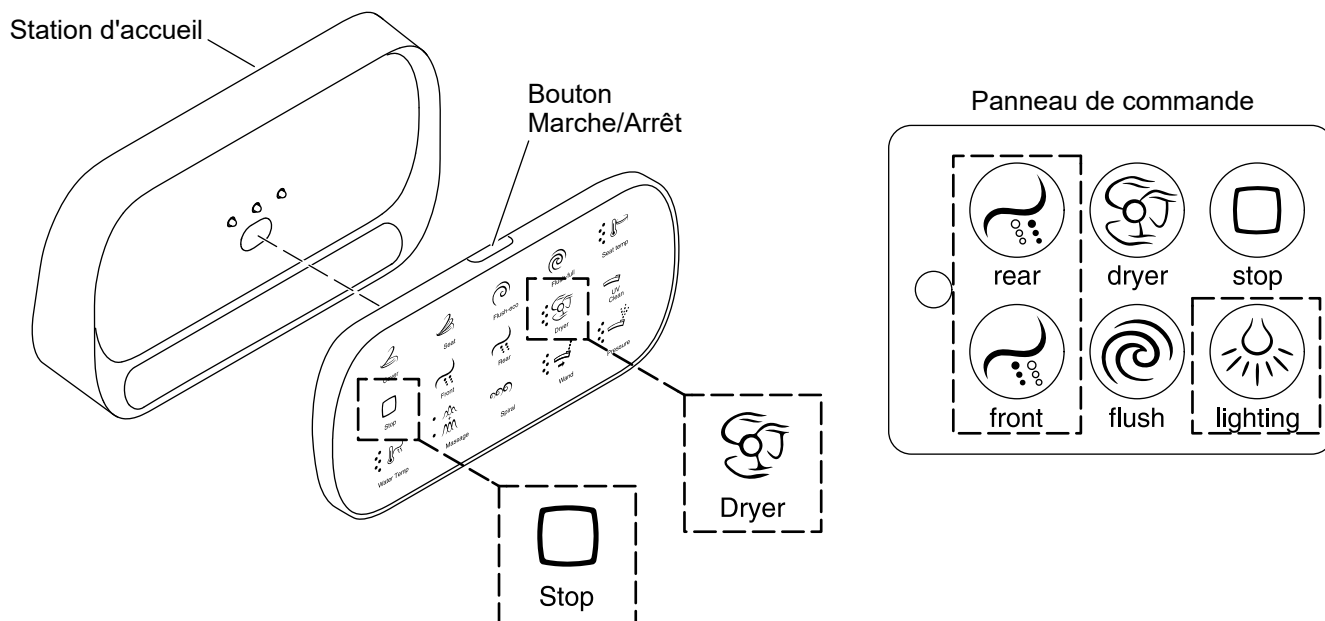
- **Lavage avant/arrière** - Positionnement réglable de la fonctionnalité de lavage avant et arrière, température réglable de l'eau, pression réglable de l'eau, et action de pulsation et d'oscillation de l'eau.
- **Séchoir** - Le séchoir comprend une fonctionnalité de température d'air réglable.

Éclairage

- **Veilleuse** - La lampe de la cuvette s'allume automatiquement lorsque le capteur d'éclairage détecte des conditions d'éclairage faible.

Nettoyage

- **Désodorisant** - Comprend une cartouche remplaçable. Se reporter à la section « Remplacer le désodorisant ».
- **Rinçage automatique de la baguette** - La baguette de pulvérisation est rincée avec de l'eau avant et après chaque utilisation.
- **Nettoyage automatique de la baguette** - La baguette de pulvérisation est nettoyée tous les jours avec des rayons UV.
- **Mode de nettoyage** - Désactive temporairement la chasse automatique et prolonge la baguette de pulvérisation pour permettre un nettoyage manuel de la toilette et de la baguette.



REMARQUE : La télécommande doit être chargée pour fonctionner. L'icône « **Stop** » (**Arrêt**) clignotera lorsque la télécommande doit être chargée.

- Vérifier que quatre piles AA sont installées correctement dans la station d'accueil. Se reporter à la section « Remplacer les piles ».
- Placer la télécommande sur la station d'accueil.
- Lorsque l'icône « **Stop** » (**Arrêt**) de la télécommande s'arrête de clignoter, la télécommande a été chargée de manière adéquate.

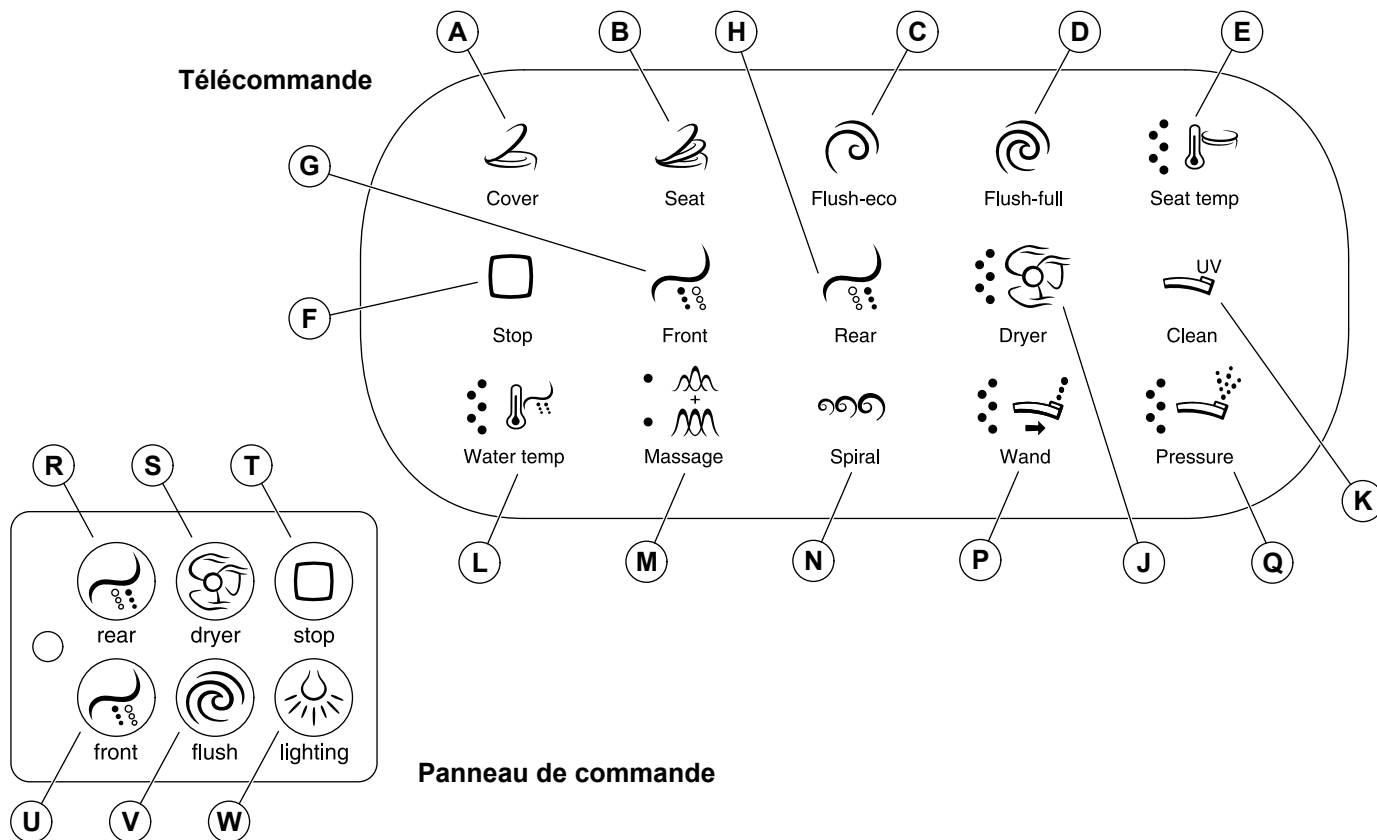
Appariement de la toilette

REMARQUE : Les icônes qui se trouvent dans la rangée du bas de la télécommande clignoteront lorsque la télécommande n'est pas appariée ou si elle est hors de portée de la toilette.

REMARQUE : Une seule télécommande peut être appariée avec le siège de la toilette à la fois.

REMARQUE : La télécommande ne peut pas être appariée lorsque le siège de la toilette est occupé.

- Appuyer sur le bouton Marche/Arrêt pour activer la télécommande.
- Amener la télécommande près de la toilette. La rangée d'icônes inférieure devrait clignoter.
- Appuyer longuement sur l'icône « **Dryer** » (**Séchoir**) de la télécommande jusqu'à ce que toutes les icônes clignotent deux fois.
- Appuyer simultanément et longuement sur les icônes « **Front** » (**Avant**) et « **Rear** » (**Arrière**) du panneau de commande de la toilette jusqu'à ce qu'un bip soit entendu.
- Lorsque les icônes de la télécommande s'arrêtent de clignoter, la télécommande a été appariée.



REMARQUE : Les fonctionnalités peuvent être activées en utilisant la télécommande. Quelques fonctionnalités peuvent être activées en utilisant le panneau de commande sur le côté du siège.

REMARQUE : Pour des fonctionnalités avec plusieurs configurations, appuyer sur l'icône plus ou moins de la télécommande pour changer le niveau de configuration. Le dernier réglage utilisé sera sauvegardé pour la prochaine utilisation.

(A) - Cover (Couvercle) : Avec le siège non occupé, appuyer pour ouvrir ou fermer le couvercle du siège.

(B) - Seat (Siège) : Avec le siège non occupé, appuyer pour élever ou abaisser le siège.

(C) - Eco Flush (Chasse éco) : Appuyer pour passer la chasse avec 0,8 gpf (3,0 lpf).

(D et V) - Full Flush (Chasse complète) : Appuyer pour passer la chasse avec 1,6 gpf (6 lpf).

(E) - Seat Temp (Température du siège) : Pendant qu'on est assis, appuyer pour ajuster la température du siège chauffé. Cinq réglages sont possibles.

(F et T) - Stop (Arrêt) : Appuyer pour arrêter n'importe laquelle des fonctionnalités de lavage ou le séchoir activée.

(G et U) - Front (Avant) : Appuyer pour activer la fonctionnalité de lavage avant. La fonctionnalité s'arrête au bout de 5 minutes environ.

(H et R) - Rear (Arrière) : Appuyer pour activer la fonctionnalité de lavage arrière. La fonctionnalité s'arrête au bout de 5 minutes environ.

(J et S) - Dryer (Séchoir) : Appuyer pour activer le séchoir. Appuyer de nouveau pour augmenter la température de l'air. Cinq réglages sont possibles.

(K) - Clean (Nettoyer) : Avec le couvercle du siège rabattu, appuyer pour exécuter le cycle de nettoyage par UV sur la baguette. Lever le couvercle du siège pour terminer le cycle de nettoyage. La fonctionnalité est activée lorsque l'icône clignote.

(L) - Water Temp (Température de l'eau) : Appuyer pour ajuster la température de pulvérisation d'eau. Cinq réglages sont possibles.

(M) - Massage : Lorsque une fonctionnalité de lavage est activée, appuyer une fois sur l'icône pour faire osciller la baguette dans un mouvement de va-et-vient. Appuyer de nouveau pour pulser le débit d'eau. Appuyer une troisième fois pour osciller et pulser simultanément. Appuyer de nouveau pour arrêter la fonctionnalité.

(N) - Spiral (Spirale) : Lorsque la fonctionnalité de lavage arrière est activée, appuyer sur l'icône pour activer la pulvérisation d'eau spiralée. Appuyer de nouveau pour arrêter la fonctionnalité.

(P) - Wand (Baguette) : Lorsqu'une fonctionnalité de lavage est activée, appuyer sur l'icône pour ajuster la position de la baguette. Cinq réglages sont possibles.

(Q) - Pressure (Pression) : Lorsqu'une fonctionnalité de lavage est activée, appuyer sur l'icône pour ajuster la pression d'eau. Cinq réglages sont possibles.

(W) - Lighting (Éclairage) : Appuyer pour désactiver la veilleuse. Appuyer de nouveau pour réactiver la veilleuse.

Activer/désactiver les fonctionnalités automatiques

REMARQUE : Les fonctionnalités automatiques sont fournies activées au départ d'usine.

Ouverture/Fermeture de couvercle

- Lorsque cette fonctionnalité est activée, le couvercle du siège s'ouvre automatiquement lorsque l'on s'approche de la toilette. Le couvercle du siège se ferme automatiquement au bout de 2 minutes après utilisation de la toilette.
- Appuyer longuement sur l'icône « **Lighting** » (**Éclairage**) sur le panneau de commande jusqu'à ce que la veilleuse clignote trois fois.
- Appuyer longuement sur l'icône « **Cover** » (**Couvercle**) de la télécommande chaque fois pour changer entre les options. La veilleuse clignote une fois lorsque le capteur est configuré pour une distance courte, deux fois pour une mi-distance, et trois fois pour une longue distance.
- La veilleuse clignote lentement lorsque la fonctionnalité est désactivée.

Désodorisant

- Lorsque cette fonctionnalité est activée, le désodorisant est activé automatiquement lorsque la toilette est en cours d'utilisation.
- Appuyer longuement sur l'icône « **Lighting** » (**Éclairage**) sur le panneau de commande jusqu'à ce que la veilleuse clignote trois fois.
- Appuyer longuement sur l'icône « **Seat** » (**Siège**) de la télécommande. La veilleuse clignotera.
- La veilleuse clignote une fois rapidement lorsque la fonctionnalité est activée, ou elle clignote lentement lorsque la fonctionnalité est désactivée.

Chasse automatique

- Lorsque cette fonctionnalité est activée, la chasse est passée automatiquement dans la toilette une fois que l'utilisateur se lève, abaisse le couvercle, ou 60 secondes environ après que l'avant de la toilette détecte un mouvement en dernier lieu.
- Appuyer longuement sur l'icône « **Lighting** » (**Éclairage**) sur le panneau de commande jusqu'à ce que la veilleuse clignote trois fois.
- Appuyer longuement sur l'icône « **Flush-full** » (**Chasse- complète**) de la télécommande. La veilleuse clignotera.
- La veilleuse clignote une fois rapidement lorsque la fonctionnalité est activée, ou elle clignote lentement lorsque la fonctionnalité est désactivée.

Nettoyage automatique par UV

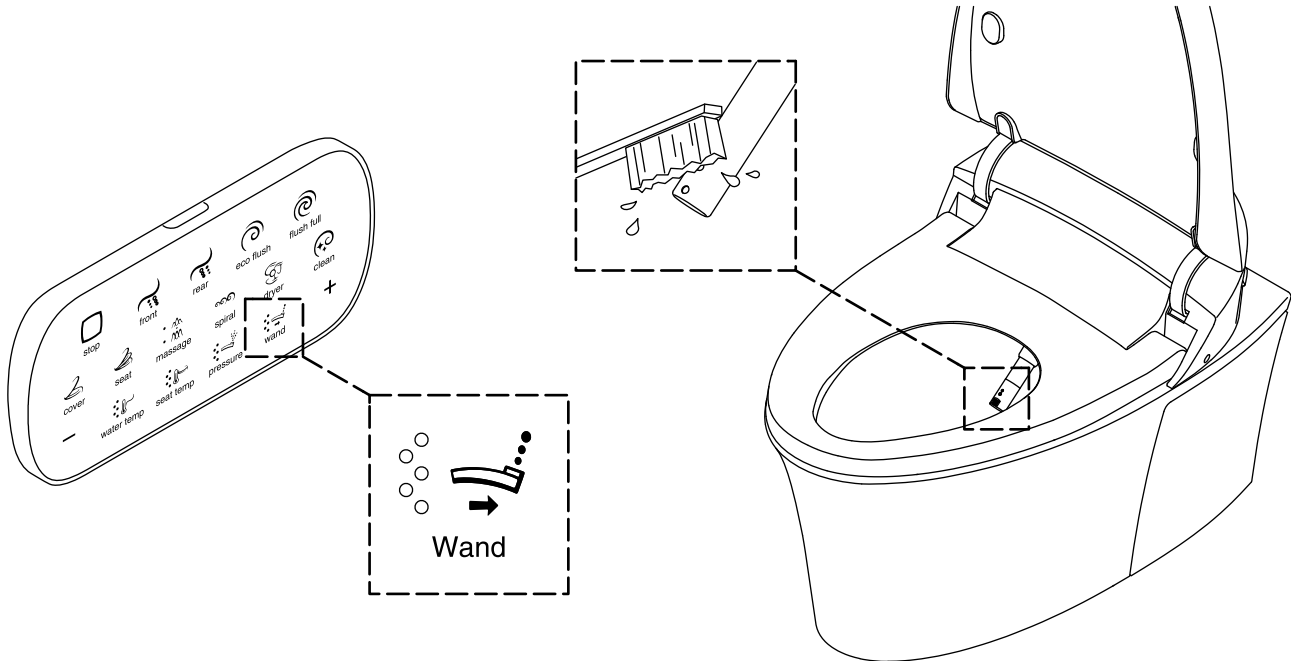
- Lorsque cette fonctionnalité est activée, un cycle de nettoyage automatique par UV s'active toutes les 24 heures. Le processus s'arrête lorsque l'on relève le couvercle du siège.
- Appuyer longuement sur l'icône « **Lighting** » (**Éclairage**) sur le panneau de commande jusqu'à ce que la veilleuse clignote trois fois.
- Appuyer longuement sur l'icône « **Clean** » (**Nettoyer**) de la télécommande. La veilleuse clignotera.
- La veilleuse clignote une fois rapidement lorsque la fonctionnalité est activée, ou elle clignote lentement lorsque la fonctionnalité est désactivée.

Économie d'énergie

- Lorsque cette fonctionnalité est activée, la toilette conserve de l'énergie en réduisant la température du siège chauffé lorsque la toilette n'est pas utilisée. Lorsque ce mode est désactivé, le siège reste au niveau configuré, même s'il n'est pas utilisé.

- Appuyer longuement sur l'icône « **Lighting** » (**Éclairage**) sur le panneau de commande jusqu'à ce que la veilleuse clignote trois fois.
- Appuyer longuement sur l'icône « **Seat Temp** » (**Température du siège**) de la télécommande. La veilleuse clignotera.
- La veilleuse clignote une fois rapidement lorsque la fonctionnalité est activée, ou elle clignote lentement lorsque la fonctionnalité est désactivée.

Nettoyage de la baguette de pulvérisation



REMARQUE : L'embout de pulvérisation sur la baguette peut se boucher au fil du temps avec des dépôts minéraux provenant de l'eau. La baguette de pulvérisation devrait être nettoyée lorsque le rendement de la pulvérisation est réduit.

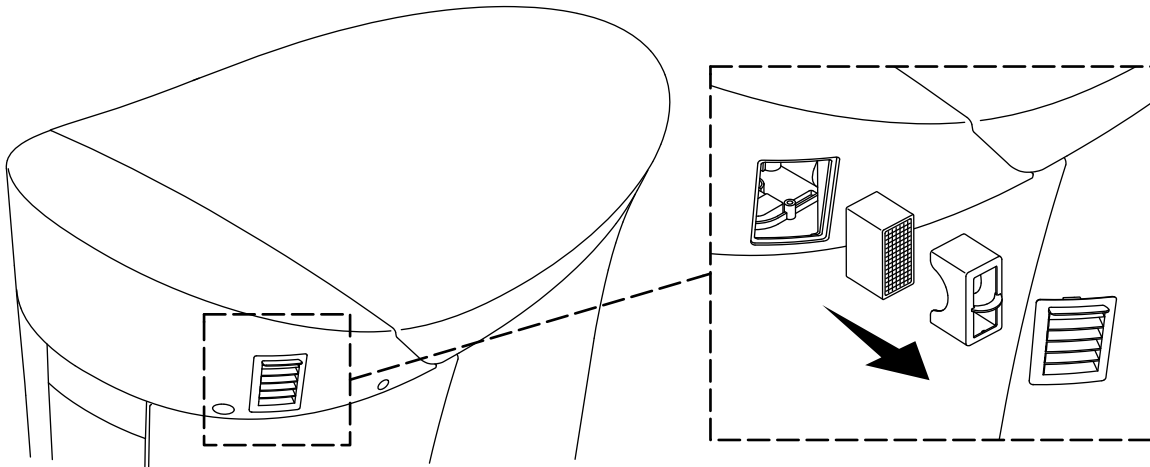
REMARQUE : La baguette de pulvérisation peut seulement être prolongée pour le nettoyage lorsque le siège n'est pas activé ou lorsqu'il n'est pas occupé.

- Lever le couvercle et le siège.
- Appuyer sur l'icône « **Wand** » (**Baguette**) de la télécommande pour prolonger la baguette vers l'avant pour le nettoyage.
- Nettoyer la baguette de pulvérisation avec une brosse à poils doux et de l'eau chaude.
- Appuyer de nouveau sur l'icône « **Wand** » (**Baguette**) ou appuyer sur l'icône « **Stop** » (**Arrêt**) pour rétracter la baguette.

Nettoyage automatique par UV

- Un cycle de nettoyage automatique par UV s'active toutes les 24 heures.
- Un cycle UV en cours s'arrête lorsque le couvercle du siège est relevé.

Remplacement du désodorisant

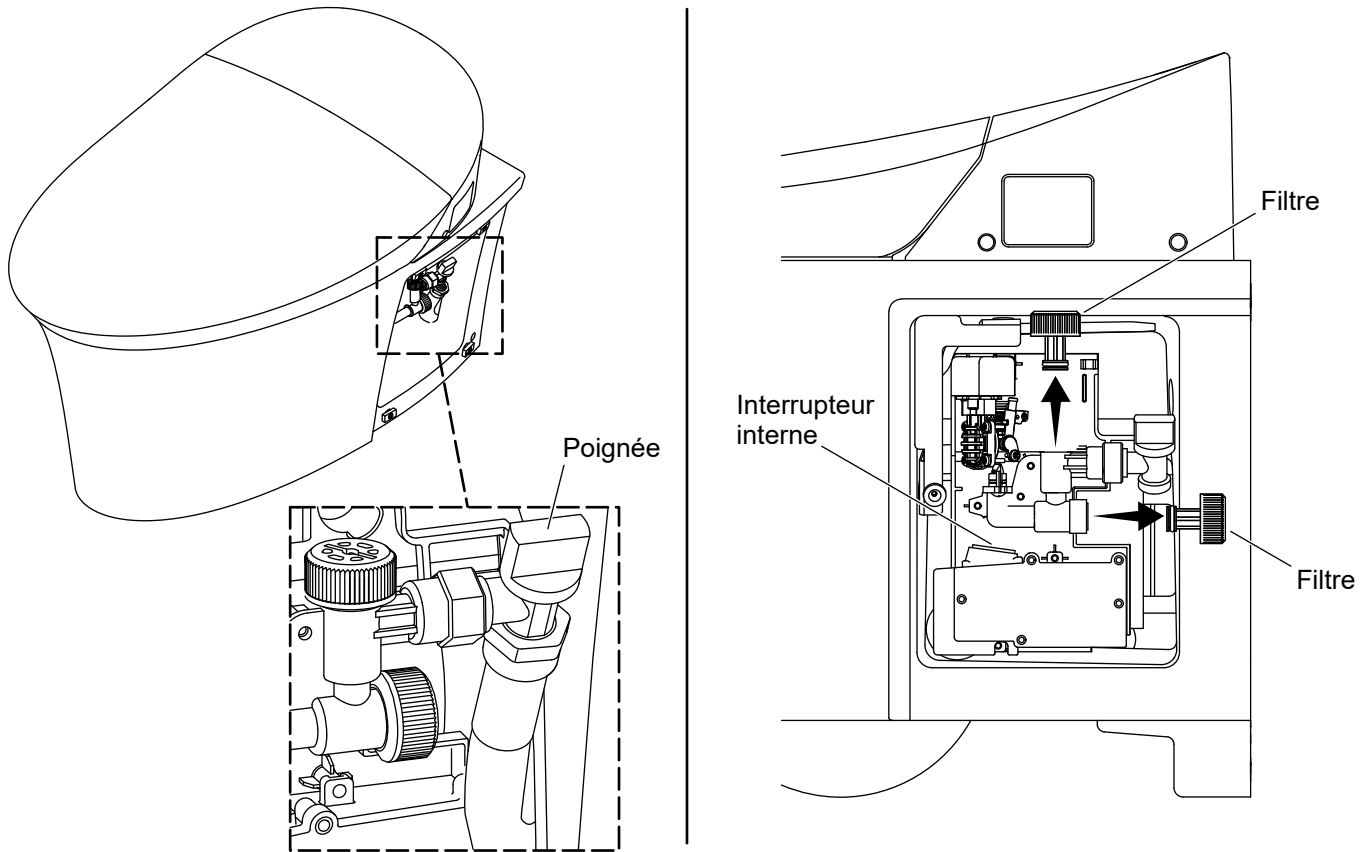


⚠ ATTENTION : Risque d'endommagement du produit. Pour éviter d'endommager les composants internes pendant le remplacement du bloc de désodorisant, ne pas insérer les doigts ou d'autres objets dans la cavité du désodorisant.

REMARQUE : Remplacer le désodorisant tous les 2 ans ou lorsque son rendement diminue.

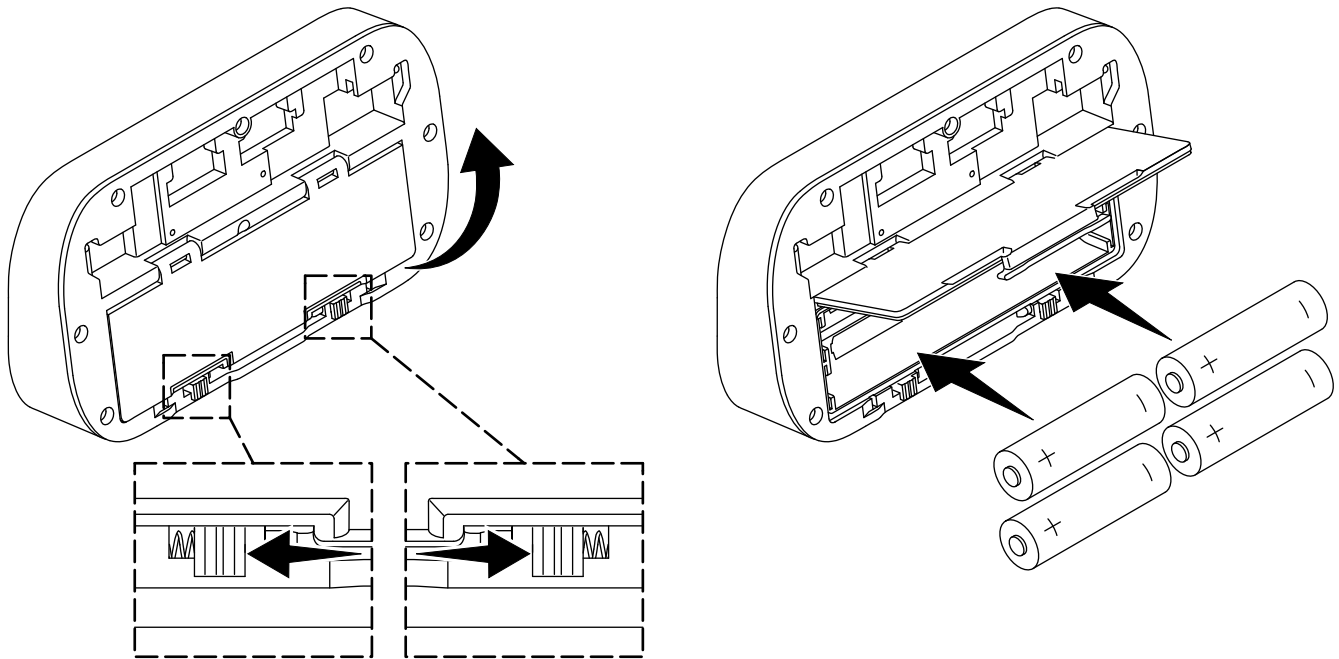
- Retirer le couvercle.
- Retirer avec précaution le logement du désodorisant du siège.
- Retirer le bloc de désodorisant du logement.
- Insérer le bloc de désodorisant neuf dans le logement.
- Réinstaller le logement dans le siège.
- Réinstaller le couvercle.

Entretien des filtres



- Couper l'eau au niveau du robinet d'arrêt d'alimentation.
- Passer la chasse pour relâcher la pression d'eau.
- Retirer le panneau latéral droit.
- Couper l'alimentation électrique vers la toilette en basculant l'interrupteur interne.
- Retirer les filtres.
- Si les filtres sont endommagés, les remplacer.
- Si les filtres sont bouchés, les nettoyer avec une brosse à poils doux.
- Réinstaller les filtres.
- Mettre la toilette sous tension en basculant l'interrupteur interne.
- Ouvrir l'alimentation en eau.
- Réattacher le panneau latéral droit.

Remplacer les piles



REMARQUE : Le voyant rouge de la station d'accueil clignotera lorsque les piles sont faibles. L'icône « Stop » (Arrêt) de la télécommande clignotera lorsque sa charge est basse et si elle doit être retournée à la station d'accueil.

- Retirer la télécommande de la station d'accueil.
- Retirer la station d'accueil du mur en la levant avec précaution pour la faire sortir.
- Pour ouvrir le compartiment arrière se trouvant sur la station d'accueil, pousser les deux pattes vers l'extérieur en même temps.
- Retirer les piles.
- Installer les piles de rechange, orientées comme sur l'illustration.
- Réinstaller le couvercle sur le compartiment à piles.
- Placer la télécommande sur la station d'accueil.

Dépannage

Ce guide de dépannage est destiné à fournir une aide d'ordre général uniquement. Un représentant du service agréé (ASR) de Kohler Co. ou un électricien qualifié devrait rectifier tous les problèmes électriques. Pour obtenir un service de garantie, s'adresser au concessionnaire ou au distributeur en gros, ou s'adresser au centre de services à la clientèle en utilisant les renseignements fournis à l'avant de ce manuel.

Démarrage

Lorsqu'une alimentation électrique est connectée à la toilette, la toilette passe automatiquement par une séquence de démarrage. La séquence inclut un déplacement de la baguette, une purge de la conduite d'eau, et la veilleuse clignote. La toilette ne fait plus de bruit lorsque la séquence de démarrage est terminée.

Si la toilette ne fonctionne pas correctement lors de l'exécution de la séquence de démarrage, ou si elle ne se met pas en marche, s'adresser au centre de services à la clientèle en utilisant les renseignements fournis sur la page avant de ce manuel.

Petits enfants

Les fonctionnalités de chasse et de lavage automatiques sont activées par un capteur situé à l'intérieur du siège. Les petits enfants pourraient ne pas être assez grands pour être détectés par le capteur.

Dépannage de l'alimentation électrique

Symptômes	Cause probable	Action recommandée
1. La toilette n'a pas d'alimentation électrique.	A. L'alimentation électrique n'est pas en marche. B. Le cordon d'alimentation est débranché de la prise électrique. C. Le disjoncteur de fuite à la terre (GFCI) ou le dispositif à courant résiduel (RCD) s'est déclenché.	A. Retirer le panneau latéral droit et mettre l'interrupteur d'alimentation électrique interne en position de marche. B. Brancher le cordon d'alimentation dans une prise électrique de GFCI ou RCD. C. Réinitialiser le dispositif GFCI ou RCD.
2. La toilette émet un bip lorsque l'alimentation électrique est connectée ou déconnectée.	A. La toilette émet un bip pendant la séquence de démarrage et lors de la mise hors tension.	A. Fonctionnement normal. Aucune action n'est nécessaire.
3. La toilette ne répond pas.	A. L'alimentation électrique vers la toilette a été interrompue brièvement.	A. Couper l'alimentation électrique vers la toilette et attendre que les bips de mise hors tension s'arrêtent. Restaurer ensuite l'alimentation électrique vers la toilette.
4. La veilleuse ne s'allume pas dans des conditions d'éclairage faible.	A. La veilleuse n'est pas activée. B. La lentille du capteur d'éclairage faible est sale.	A. Activer la veilleuse. Se reporter à la section « Activer/Désactiver les fonctionnalités automatiques ». B. Nettoyer la lentille du capteur d'éclairage sur le côté de la toilette se trouvant à proximité du panneau de commande.

Dépannage de la chasse

Symptômes	Cause probable	Action recommandée
1. La chasse de la toilette ne fonctionne pas.	<p>A. L'alimentation en eau vers la toilette n'est pas ouverte.</p> <p>B. La toilette est bloquée.</p> <p>C. La télécommande ne fonctionne pas.</p>	<p>A. Ouvrir l'alimentation en eau.</p> <p>B. Utiliser un débouchoir à ventouse pour éliminer le blocage. Une sonde spirale peut être utilisée en cas de blocage extrême.</p> <p>C. Se reporter à la section « Dépannage de la télécommande ».</p>
2. La toilette ne se rince pas automatiquement.	<p>A. La fonctionnalité de chasse automatique n'est pas activée.</p> <p>B. L'utilisateur n'est pas détecté par le capteur.</p>	<p>A. Activer la chasse automatique. Se reporter à la section « Activer/Désactiver les fonctionnalités automatiques ».</p> <p>B. Les enfants pourraient être trop petits pour être détectés par le capteur. Passer la chasse en utilisant la télécommande.</p>
3. La chasse est passée de manière imprévue.	<p>A. La fonctionnalité de chasse automatique est activée.</p>	<p>A. Lorsque la chasse automatique est activée, la chasse est passée dans la toilette peu après son utilisation. Se reporter à la section « Activer/Désactiver les fonctionnalités automatiques » pour désactiver la chasse automatique.</p>
4. La cuvette de la toilette contient peu d'eau ou elle n'en contient pas.	<p>A. L'eau s'est évaporée pendant une période prolongée entre les utilisations.</p>	<p>A. Passer la chasse pour remplir la cuvette.</p>

Dépannage du siège et du couvercle

Symptômes	Cause probable	Action recommandée
1. Le couvercle du siège ne s'ouvre pas automatiquement.	<p>A. La fonctionnalité d'ouverture/de fermeture du couvercle n'est pas activée.</p> <p>B. Le capteur de mouvement est placé à une distance éloignée.</p>	<p>A. Activer la fonctionnalité d'ouverture/de fermeture du couvercle. Se reporter à la section « Activer/Désactiver les fonctionnalités automatiques ».</p> <p>B. Ajuster la distance du capteur d'ouverture/de fermeture du couvercle en utilisant la télécommande.</p>
2. Le couvercle du siège s'ouvre de manière imprévue.	<p>A. Le capteur de mouvement est placé à une courte distance.</p>	<p>A. Ajuster la distance du capteur d'ouverture/de fermeture du couvercle en utilisant la télécommande.</p>
3. Le siège n'est pas chauffé.	<p>A. La toilette est en mode d'économie d'énergie.</p> <p>B. La fonctionnalité de siège chauffé n'est pas activée.</p> <p>C. Le réglage de la température est trop bas.</p>	<p>A. Le siège se réchauffe lorsqu'il est utilisé. Se reporter à la section « Activer/Désactiver les fonctionnalités automatiques ».</p> <p>B. Activer le siège chauffé. Se reporter à la section « Activer/Désactiver les fonctionnalités automatiques ».</p> <p>C. Ajuster la température du siège chauffé en utilisant la télécommande.</p>

Dépannage du lavage

Symptômes	Cause probable	Action recommandée
1. Écoulement d'eau faible ou pas d'écoulement d'eau en provenance de la baguette de pulvérisation.	<p>A. L'alimentation en eau vers la toilette n'est pas ouverte.</p> <p>B. Le tuyau d'alimentation en eau vers la toilette est déformé ou enroulé de manière trop serrée.</p> <p>C. Le capteur ne détecte pas l'utilisateur.</p> <p>D. Les filtres sont bloqués ou endommagés.</p>	<p>A. Ouvrir l'alimentation en eau vers le siège.</p> <p>B. Supprimer la déformation dans le tuyau ou agrandir la boucle.</p> <p>C. Les petits enfants pourraient ne pas être détectés. Ajuster la position assise. Le capteur pourrait avoir du mal avec le tissu ou d'autres objets. Le capteur est conçu pour détecter la peau.</p> <p>D. Entretenir les filtres. Se reporter à la section « Entretien des filtres ».</p>
2. L'eau s'arrête de s'écouler de la baguette de pulvérisation de manière imprévue.	<p>A. Le lavage avant ou arrière s'arrête automatiquement au bout de plusieurs minutes.</p>	<p>A. Appuyer sur l'icône « Front » (Avant) ou « Rear » (Arrière) pour redémarrer le lavage.</p>
3. La baguette de pulvérisation se déplace de manière erratique ou ne se prolonge pas.	<p>A. Le cycle de lavage a été interrompu.</p> <p>B. La baguette de pulvérisation ne répond pas à la télécommande.</p> <p>C. L'utilisateur n'est pas détecté par le capteur.</p> <p>D. Le joint d'étanchéité qui protège contre le débit d'eau dans le siège est sec.</p> <p>E. La baguette de pulvérisation se met brièvement en mode de pause pour être rincée, puis elle se rétracte complètement.</p>	<p>A. Mettre le bouton d'alimentation électrique sur l'arrière de la toilette en position d'arrêt et attendre 10 secondes. Mettre le bouton d'alimentation électrique en position de marche.</p> <p>B. Mettre le bouton d'alimentation électrique sur l'arrière de la toilette en position d'arrêt et attendre 10 secondes. Mettre l'alimentation électrique en marche.</p> <p>C. Les enfants pourraient être trop petits pour être détectés par le capteur.</p> <p>D. Utiliser la télécommande pour prolonger la baguette de pulvérisation. Nettoyer la baguette avec du savon liquide. Rincer la baguette, puis appliquer plus de savon liquide pour lubrifier. Rétracter la baguette.</p> <p>E. Fonctionnement normal. Aucune action nécessaire.</p>
4. L'air du séchoir est trop chaud.	<p>A. La température de l'air est réglée sur un niveau trop élevé.</p>	<p>A. Utiliser la télécommande pour abaisser la température de l'air.</p>
5. Le séchoir ne démarre pas immédiatement.	<p>A. La baguette de pulvérisation n'a pas terminé de se rétracter une fois que le cycle de lavage est achevé.</p>	<p>A. Un bref délai se produit pendant que la baguette se rétracte complètement, puis se prolonge à nouveau pour le cycle du séchoir.</p>
6. Le désodorisant ne fonctionne pas.	<p>A. La fonctionnalité de désodorisant automatique n'est pas activée.</p>	<p>A. Activer la fonctionnalité de désodorisant automatique. Se reporter à la section « Activer/Désactiver les fonctionnalités automatiques ».</p>
7. La toilette émet des bips lorsqu'elle est occupée.	<p>A. Le siège a été occupé sur une période prolongée.</p>	<p>A. Fonctionnement normal. Aucune action nécessaire.</p>

Dépannage de la télécommande

Symptômes	Cause probable	Action recommandée
1. La télécommande ne se met pas en marche.	A. Les piles ne sont pas installées correctement. B. Les piles doivent être remplacées.	A. Réinstaller les piles. Se reporter à la section « Remplacer les piles ». B. Remplacer les piles. Se reporter à la section « Remplacer les piles ».
2. La télécommande ne se connecte pas à la toilette.	A. La télécommande est trop éloignée de la toilette pour recevoir un signal. B. La télécommande n'est pas appariée à la toilette.	A. Amener la télécommande plus près de la toilette pour regagner une connexion. B. Appairer la télécommande à la toilette. Se reporter à la section « Configuration de la télécommande ».

Conformité

Comprend les ID FCC : N82-KOHLER053, N82-KOHLER051

La télécommande comprend l'ID FCC : N82-KOHLER051

IFT : RCPKOK523-0137

Ce dispositif est conforme à la section 15 des réglementations de la FCC. L'utilisation est assujettie aux deux conditions suivantes : (1) ce dispositif ne peut pas créer des brouillages nuisibles, et (2) ce dispositif doit accepter tous les brouillages captés, y compris les brouillages qui pourraient créer un fonctionnement indésirable.

Tous changements ou modifications non expressément approuvés par la partie responsable garantissant la conformité pourraient annuler le droit à l'utilisateur d'opérer cet équipement.

Cet équipement a été testé et a été considéré être conforme aux limites pour un dispositif numérique de classe B, selon la section 15 des réglementations FCC. Ces limites sont conçues pour fournir une protection raisonnable contre tout brouillage nuisible dans une installation résidentielle. Cet équipement génère, utilise et peut faire rayonner une énergie de radiofréquence et, s'il n'est pas installé et utilisé conformément aux instructions, pourrait créer des brouillages nuisibles aux communications par radio. Cependant, il n'est pas garanti qu'aucun brouillage n'aura lieu dans une installation particulière. Si cet équipement cause des brouillages nuisibles à la réception de radio ou de télévision, ce qui peut être déterminé en éteignant l'équipement et en le rallumant, l'utilisateur est encouragé à essayer de rectifier ces brouillages par l'un des moyens suivants :

- Réorienter ou changer l'emplacement de l'antenne de réception.
- Augmenter la séparation entre l'équipement et le récepteur.
- Brancher l'équipement sur une prise d'un circuit différent de celui auquel le récepteur est connecté.
- Consulter le concessionnaire ou un technicien radio/TV expérimenté pour obtenir de l'assistance.

Mise en garde concernant l'exposition aux radiofréquences

Cet émetteur et son antenne sont conformes aux limites d'exposition RF de la FCC pour le public général/l'exposition non contrôlée. Ce dispositif ne doit pas être co-localisé ou opéré avec une autre antenne ou un autre émetteur quelconques. Ce dispositif doit être utilisé en laissant une distance minimale de 7-7/8 po (200 mm) entre le radiateur et votre corps.

Comprend les IC : 4554A-KOHLER053, 4554A-KOHLER051

La télécommande comprend l'IC : 4554A-KOHLER051

Ce dispositif est conforme aux normes RSS d'exemption de licence d'Industrie Canada. L'utilisation est assujettie aux deux conditions suivantes : (1) ce dispositif ne peut pas créer de brouillages, et (2) ce dispositif doit accepter tous les brouillages, y compris ceux qui pourraient créer un fonctionnement indésirable dudit dispositif.

Cet émetteur et son antenne sont conformes aux limites d'exposition RF d'Industrie Canada pour le public général/l'exposition non contrôlée.

Cet appareillage numérique de classe B est conforme à la norme canadienne ICES-003.

Guía del usuario

Inodoro inteligente

Gracias por elegir KOHLER

¿Necesita ayuda? Comuníquese con nuestro Centro de Atención al Cliente.

- EE. UU./Canadá: 1-800-4KOHLER (1-800-456-4537) México: 001-800-456-4537
Horario de atención: Lunes a viernes de 8:00 AM a 5:00 PM (tiempo del centro)
Idiomas: inglés, español, y servicios de traducción disponibles.
- **Piezas de repuesto:** kohler.com/serviceparts
- **Cuidado y limpieza:** kohler.com/clean
- **Patentes:** kohlercompany.com/patents


Garantía

A este producto lo cubre la **garantía limitada de tres años para inodoros inteligentes y asientos de lavado C3® de KOHLER®**, que puede consultarse en kohler.com/warranty. Si lo desea, solicite al Centro de Atención al Cliente una copia impresa de los términos de la garantía.

IMPORTANTES SALVAGUARDIAS Y PRECAUCIONES


LEA TODAS LAS INSTRUCCIONES ANTES DE USAR

Al usar productos eléctricos, en especial cuando haya niños presentes, siempre cumpla las precauciones básicas de seguridad, como las siguientes:

 **PELIGRO: Riesgo de sufrir sacudidas eléctricas.** Solo conecte a un circuito protegido por un interruptor de circuito con pérdida a tierra (GFCI)*.

*Fuera de Estados Unidos es posible que este se conozca como dispositivo de corriente residual (RCD).

 **AVISO: Riesgo de sufrir sacudidas eléctricas.** Antes de dar servicio, desconecte el suministro eléctrico.

 **AVISO: Riesgo de sufrir lesiones personales.** Este dispositivo emite radiación ultravioleta RG-3. El uso no intencional del dispositivo, o daños al alojamiento, puede ocasionar exposición a radiación ultravioleta. Esto podría ocasionar lesiones a la piel o a los ojos. Evite que los ojos y la piel queden expuestos a la lámpara al descubierto. Siempre asegúrese de que la lámpara esté apagada antes de abrir la cubierta protectora.

⚠ PRECAUCIÓN: Riesgo de sufrir lesiones personales. Solamente personal capacitado de servicio debe cambiar la lámpara de luz UV. Esta cubierta de lámpara de luz UV tiene un seguro de bloqueo para reducir el riesgo de recibir radiación ultravioleta excesiva. No evite el seguro de bloqueo. Vuelva a instalar el seguro de bloqueo después de dar servicio.

⚠ PRECAUCIÓN: Riesgo de ocasionar daños al producto. No instale este producto en un lugar donde quede expuesto a humedad excesiva, donde pudiera formarse condensación en la superficie del producto. Al tomar un baño, asegúrese de que haya ventilación adecuada para evitar daños a los componentes electrónicos debidos a altos niveles de humedad.

⚠ PRECAUCIÓN: Riesgo de ocasionar daños al producto. No aplique suministro eléctrico a la unidad mientras no se haya completado la instalación de la plomería, ya que esto podría causar que el producto no funcionara bien.

⚠ PRECAUCIÓN: Riesgo de ocasionar daños al producto. No aplique fuerza excesiva a la varilla de rocío.

NOTA: Este producto contiene protectores térmicos que podrían activarse durante el almacenamiento o el transporte en condiciones cálidas, y causar que la unidad no funcione. Antes de instalar la unidad o de ponerla en funcionamiento, deje que se enfríe hasta la temperatura ambiente.

⚠ AVISO: Para reducir el riesgo de quemaduras, electrocución, incendio o lesiones personales:

Es necesario que haya supervisión cuando este producto esté siendo usado por niños, ancianos o inválidos, o cerca de ellos. No permita que el producto sea usado como juguete. Ajuste la temperatura del asiento para los ancianos, los discapacitados o las personas con piel sensible.

Use este producto únicamente con el fin para el que ha sido fabricado, tal como se describe en este manual. Solo use aditamentos que recomiende Kohler Co.

No use este producto si el enchufe o el cable están dañados, si el producto no funciona adecuadamente, si se ha dejado caer, si ha sufrido daños, o si ha caído en agua. Devuelva el producto para que sea examinado y reparado.

Mantenga el cable alejado de superficies calientes.

Nunca bloquee las aberturas para aire del producto. Evite que haya pelusa, cabello y similares en las aberturas para aire.

Nunca utilice el producto mientras duerma o esté adormilado.

No deje caer, ni introduzca, objetos en ninguna abertura o manguera.

No utilice el producto a la intemperie ni en lugares en los que se empleen aerosoles o en los que se administre oxígeno.

Conecte este producto solamente a un tomacorriente con conexión adecuada a tierra. Consulte la sección "Instrucciones de conexión a tierra".

El uso de este producto es un suplemento, y no un sustituto, de prácticas de control de infecciones; los usuarios deben continuar todas las prácticas de control de infecciones, entre ellas las relacionadas con la limpieza y desinfección de las superficies en contacto con el medio ambiente.

Este producto cumple las estipulaciones de US 21 CFR, Capítulo 1, Subcapítulo J, Salud Radiológica.

LEA Y SIGA TODAS LAS INSTRUCCIONES

GUARDE ESTAS INSTRUCCIONES

Instrucciones de conexión a tierra

Este producto se debe conectar a tierra. En caso de que haya un corto en el circuito eléctrico, la conexión a tierra reduce el riesgo de sufrir una sacudida eléctrica ya que proporciona una vía de escape para la corriente eléctrica. Este producto está equipado con un cable que tiene un alambre de conexión a tierra y un enchufe con conexión a tierra. El enchufe debe estar conectado en un tomacorriente bien instalado y conectado a tierra.



PELIGRO: Riesgo de sufrir sacudidas eléctricas. El uso incorrecto del enchufe con conexión a tierra puede ocasionar el riesgo de sufrir una sacudida eléctrica.

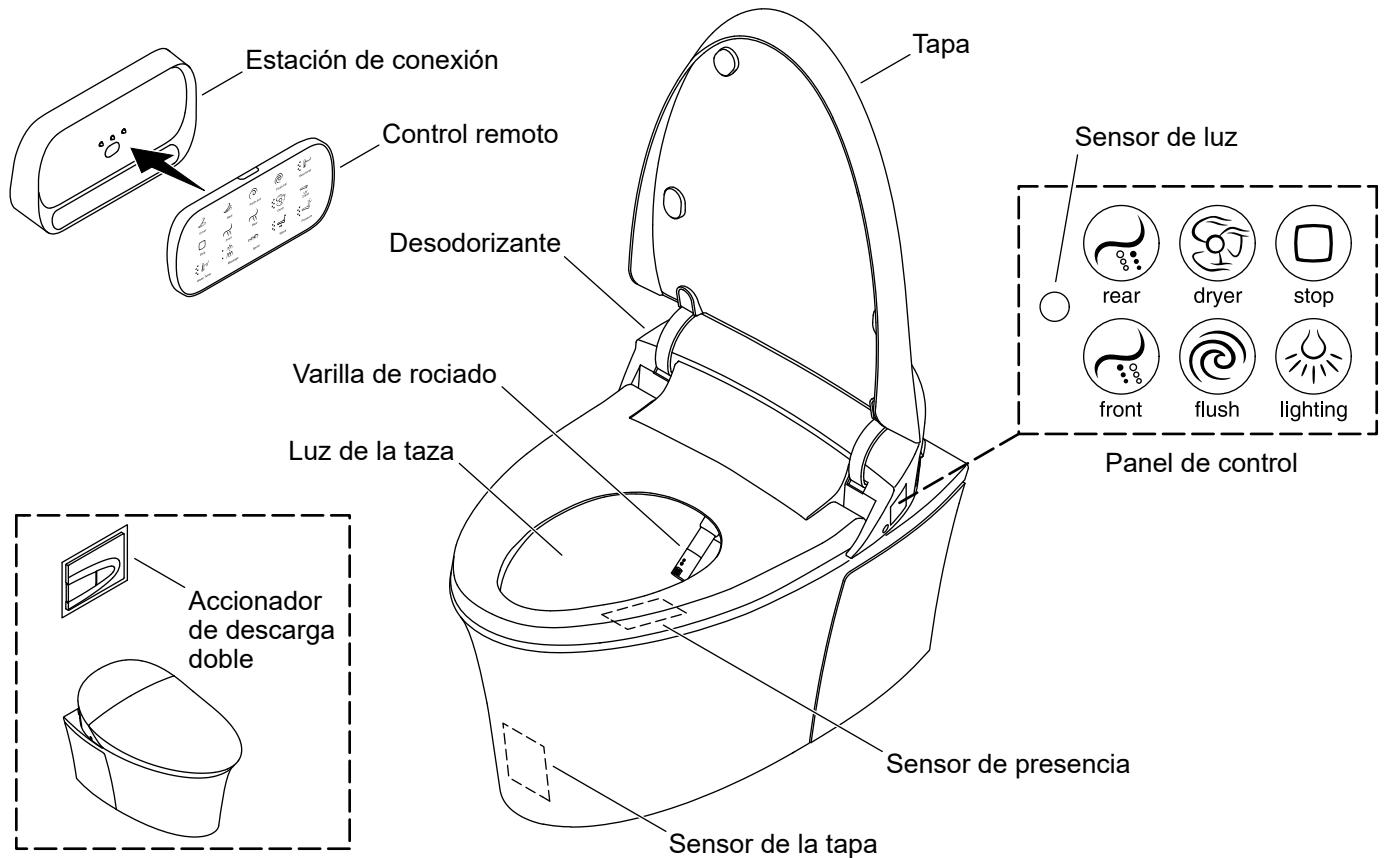
Si es necesario reparar o cambiar el cable o el enchufe, no conecte el alambre de conexión a tierra a ninguno de los terminales de hoja plana. El alambre con aislamiento con superficie exterior verde, con o sin rayas amarillas, es el alambre de conexión a tierra.

Si tiene alguna duda de si el producto está bien conectado a tierra o si las instrucciones de conexión a tierra no están completamente claras, solicite la verificación de un electricista capacitado o de personal de servicio.

Este producto viene equipado de fábrica con un cable y un enchufe eléctrico que permiten conectarlo a un circuito eléctrico adecuado. Verifique que el producto se conecte a un tomacorriente que tenga la misma configuración que el enchufe. No utilice ningún tipo de adaptador con este producto. No modifique el enchufe que se incluye. Si el enchufe no entra al tomacorriente, pida a un electricista capacitado que instale el tomacorriente adecuado. Si el producto se debe conectar en un tipo diferente de circuito eléctrico, la conexión debe realizarla personal de servicio capacitado.

No utilice un cable de extensión con el producto.

Características



Opciones de funcionamiento

- Control remoto** - Cuando se vincula al inodoro, el control remoto regula las funciones del inodoro. Consulte más información en la sección de "Configuración del control remoto".
- Panel de control** - Ubicado a un lado del inodoro, el panel de control facilita el acceso a las principales funciones del inodoro.
- Accionador de descarga doble** - Ubicado en la pared sobre el inodoro, el accionador permite hacer descargas manuales o sin contacto.

Opciones de descarga

- Descarga automática** - Cuando esta función está habilitada, el inodoro realiza una descarga automática después de que el usuario se levanta, baja la tapa del asiento, o aproximadamente 60 segundos después de que el frente del inodoro detecta movimiento por última vez.
- Botón grande de descarga doble** - Para hacer una descarga sin contacto completa, coloque la mano frente al botón grande para que fluyan 1,6 gal/descarga (6,1 L/descarga). Para hacer una descarga manual, oprima el botón.
- Botón pequeño de descarga doble** - Para hacer una descarga sin contacto reducida, coloque la mano frente al botón pequeño para que fluyan 0,8 gal/descarga (3 L/descarga). Para hacer una descarga manual, oprima el botón.

Asiento y tapa del asiento

- Sensor de la tapa del asiento** - Cuando está habilitada la función de abrir y cerrar automáticamente la tapa del asiento, un sensor de movimiento en el frente del inodoro abre la tapa del asiento automáticamente. El alcance del sensor de movimiento puede establecerse a distancia cercana, intermedia o lejana. El alcance del sensor puede variar en base a la distribución de su cuarto de baño.

- **Sensor de presencia** - El área del sensor se encuentra al lado derecho frontal del asiento, y detecta a un usuario sentado. Las funciones de lavado solo funcionan cuando hay un usuario sentado.
- **Asiento con calefacción** - El asiento tiene una opción de calefacción ajustable que, cuando está activada, mantiene tibio el asiento.
- **Ahorro de energía** - Cuando esta función está habilitada, el inodoro conserva energía al reducir la temperatura del asiento con calefacción cuando el inodoro no está en uso.

Funciones de lavado

- **Lavado frontal/posterior** - Colocación ajustable de la función de lavado frontal y posterior, temperatura ajustable del agua, presión ajustable del agua, y acción de pulsación y oscilación del agua.
- **Secador** - La temperatura del aire que emite el secador es ajustable.

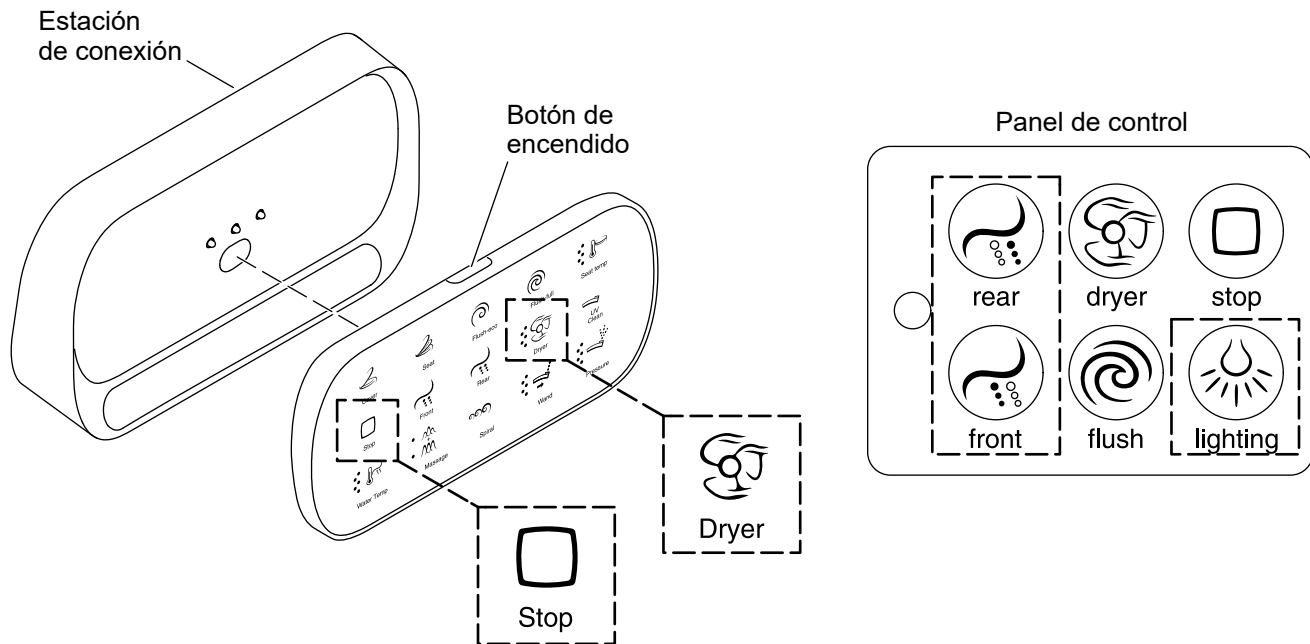
Iluminación

- **Luz nocturna** - La luz de la taza se ilumina automáticamente cuando el sensor de luz detecta condiciones tenues de iluminación.

Limpieza

- **Desodorizante** - Contiene un cartucho reemplazable. Consulte la sección "Cambio de desodorizante".
- **Enjuague automático a la varilla** - La varilla de rocío es enjuagada con agua antes y después de cada uso.
- **Limpieza automática a la varilla** - La varilla de rocío es limpiada diariamente con luz UV.
- **Modo de limpieza** - Inhabilita temporalmente las descargas automáticas, y despliega la varilla de rocío para permitir limpiar manualmente el inodoro y la varilla.

Configuración del control remoto



NOTA: El control remoto debe tener carga para funcionar. El ícono de paro, **“Stop”**, parpadea cuando el control remoto debe ser cargado.

- Verifique que haya 4 pilas AA instaladas correctamente en la estación de conexión. Consulte la sección “Cambio de pilas”.
- Coloque el control remoto en la estación de conexión.
- Cuando el ícono de paro, **“Stop”**, en el control remoto deja de parpadear, el control remoto ha quedado cargado adecuadamente.

Vinculación al inodoro

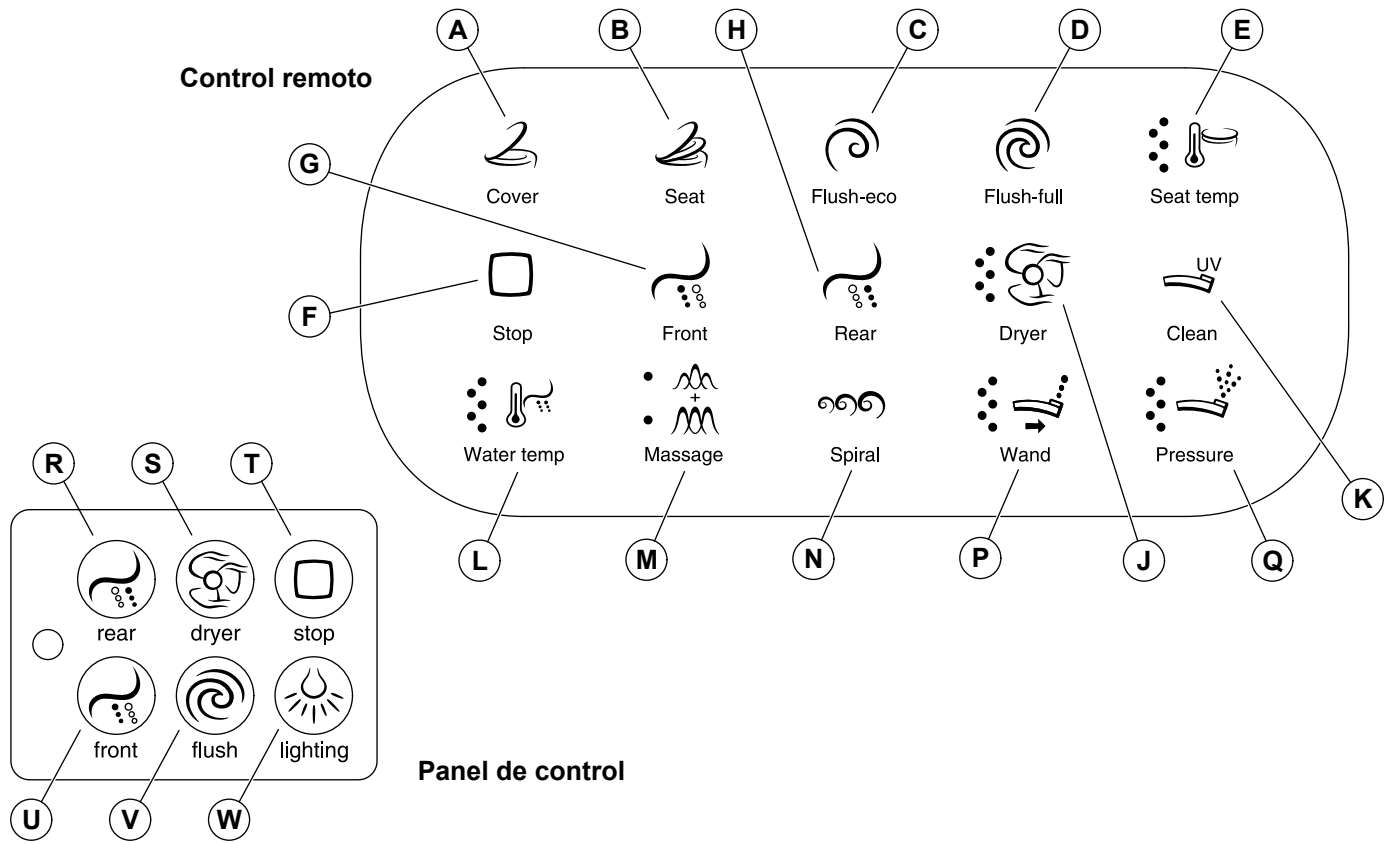
NOTA: Los íconos en la hilera inferior del control remoto parpadean cuando el control remoto no está vinculado o cuando está lejos del inodoro.

NOTA: Se puede vincular un solo control remoto al asiento del inodoro a la vez.

NOTA: No es posible vincular el control remoto mientras el asiento del inodoro esté ocupado.

- Oprima el botón de encendido para encender el control remoto.
- Acerque el control remoto al inodoro. La hilera inferior de íconos debe estar parpadeando.
- Oprima y sostenga oprimido el ícono del secador, **“Dryer”**, en el control remoto, hasta que todos los íconos parpadeen 2 veces.
- Oprima y sostenga oprimidos simultáneamente los íconos de lavado frontal, **“Front”**, y de lavado posterior, **“Rear”**, en el panel de control del inodoro hasta que escuche un sonido de bip.
- El control remoto ha sido vinculado cuando los íconos en el control remoto dejan de parpadear.

Instrucciones de uso



NOTA: Se pueden activar las funciones mediante el control remoto. Algunas funciones pueden activarse mediante el panel de control a un lado del asiento.

NOTA: En el caso de funciones con múltiples selecciones, oprima el ícono de + o de - en el control remoto para cambiar el nivel de la selección. La última selección que se haya usado se almacena para el siguiente uso.

(A) - Tapa del asiento (Cover): Cuando el asiento esté desocupado, oprima para abrir o cerrar la tapa del asiento.

(B) - Asiento (Seat): Cuando el asiento esté desocupado, oprima para subirlo o bajarlo.

(C) - Descarga ecológica (Eco Flush): Oprima para activar una descarga del inodoro con 0,8 gal/descarga (3,0 L/descarga).

(D y V) - Descarga completa (Full Flush): Oprima para activar una descarga del inodoro con 1,6 gal/descarga (6 L/descarga).

(E) - Temperatura del asiento (Seat Temp): Al estar sentado, oprima para ajustar la temperatura del asiento con calefacción. Hay 5 selecciones.

(F y T) - Paro (Stop): Oprima para detener las funciones de lavado activadas o el secador.

(G y U) - Lavado frontal (Front): Oprima para activar la función de lavado frontal. La función se detiene después de aproximadamente 5 minutos.

(H y R) - Lavado posterior (Rear): Oprima para activar la función de lavado posterior. La función se detiene después de aproximadamente 5 minutos.

(J y S) - Secador (Dryer): Oprima para activar el secador. Oprima de nuevo para aumentar la temperatura del aire. Hay 5 selecciones.

(K) - Limpieza (Clean): Cuando la tapa del asiento esté bajada, oprima para iniciar el ciclo de limpieza con rayos UV en la varilla. Levante la tapa del asiento para detener el ciclo de limpieza. La función se activa cuando el ícono está parpadeando.

(L) - Temperatura del agua (Water Temp): Oprima para ajustar la temperatura del agua de rocío. Hay 5 selecciones.

(M) - Masaje (Massage): Cuando una función de lavado esté activa, oprima el ícono una vez para que la varilla de rocío oscile hacia adelante y hacia atrás. Oprima de nuevo para que pulse el flujo de agua. Oprima por tercera vez para que oscile y pulse simultáneamente. Oprima de nuevo para detener la función.

(N) - Espiral (Spiral): Cuando la función de lavado posterior esté activa, oprima el ícono para activar el rocío de agua en espiral. Oprima de nuevo para detener la función.

(P) - Varilla (Wand): Cuando una función de lavado esté activa, oprima el ícono para ajustar la posición de la varilla. Hay 5 selecciones.

(Q) - Presión (Pressure): Cuando una función de lavado esté activa, oprima el ícono para ajustar la presión del agua. Hay 5 selecciones.

(W) - Iluminación (Lighting): Oprima para desactivar la luz nocturna. Oprima de nuevo para reactivar la luz nocturna.

Habilitar / Inhabilitar funciones automáticas

NOTA: Las funciones automáticas vienen habilitadas de fábrica.

Abrir y cerrar la tapa del asiento

- Cuando esta función está habilitada, la tapa del asiento se abre en forma automática cuando alguien se acerca al inodoro. La tapa del asiento se cierra automáticamente 2 minutos después de que se ha usado el inodoro.
- Oprima y sostenga oprimido el ícono de iluminación, **"Lighting"**, en el panel de control hasta que la luz nocturna parpadee 3 veces.
- Oprima y sostenga oprimido el ícono de tapa del asiento, **"Cover"**, en el control remoto, cada vez que desee cambiar entre opciones. La luz nocturna parpadea una vez cuando el sensor se establece para una corta distancia, 2 veces para una distancia intermedia, y 3 veces para una larga distancia.
- La luz nocturna parpadea lentamente cuando se inhabilita la función.

Desodorizante

- Cuando esta función está habilitada, el desodorizante se activa automáticamente mientras el inodoro está en uso.
- Oprima y sostenga oprimido el ícono de iluminación, **"Lighting"**, en el panel de control hasta que la luz nocturna parpadee 3 veces.
- Oprima y sostenga oprimido el ícono del asiento, **"Seat"**, en el control remoto. La luz nocturna comienza a parpadear.
- La luz nocturna parpadea una vez rápidamente cuando la función está habilitada, o lentamente cuando está inhabilitada.

Descarga automática

- Cuando esta función está habilitada, el inodoro realiza una descarga automática después de que el usuario se levanta, baja la tapa del asiento, o aproximadamente 60 segundos después de que la parte delantera del inodoro detecta movimiento por última vez.
- Oprima y sostenga oprimido el ícono de iluminación, **"Lighting"**, en el panel de control hasta que la luz nocturna parpadee 3 veces.
- Oprima y sostenga oprimido el ícono de descarga completa, **"Flush-full"**, en el control remoto. La luz nocturna parpadea.
- La luz nocturna parpadea una vez rápidamente cuando la función está habilitada, o lentamente cuando está inhabilitada.

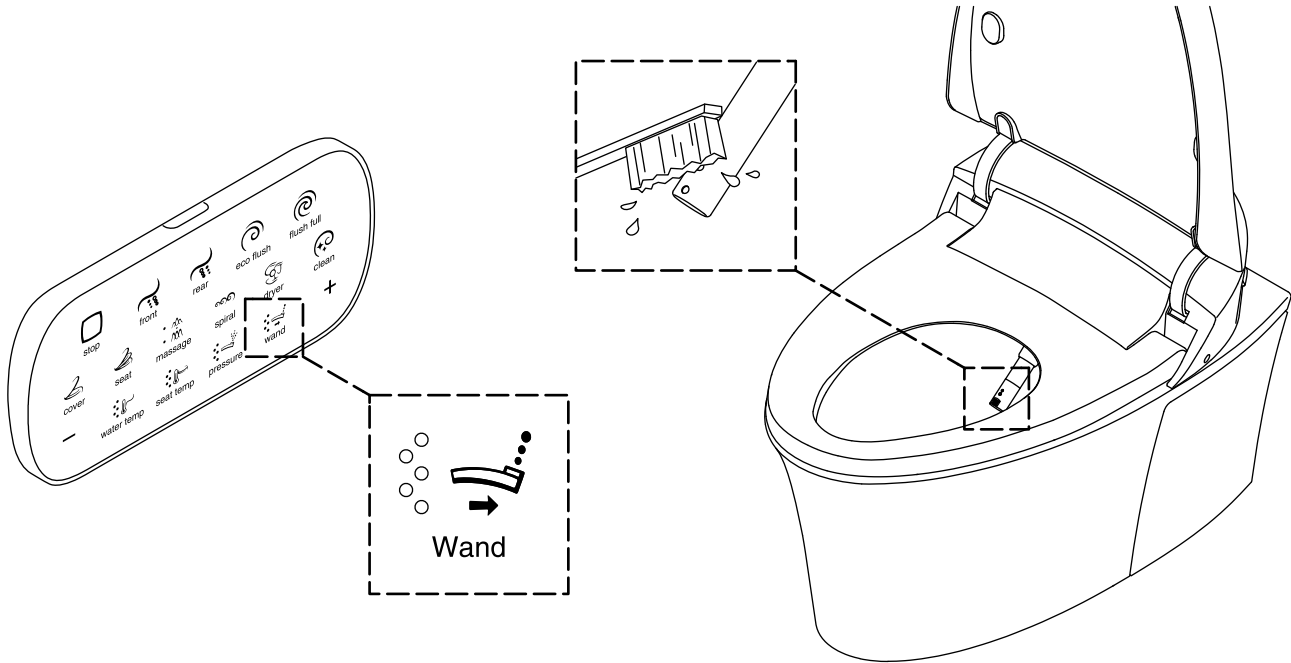
Limpieza UV automática

- Cuando esta función está habilitada, el ciclo de limpieza UV automática se activa cada 24 horas. El proceso se cancela si se levanta la tapa del asiento.
- Oprima y sostenga oprimido el ícono de iluminación, **"Lighting"**, en el panel de control hasta que la luz nocturna parpadee 3 veces.
- Oprima y sostenga oprimido el ícono de limpieza, **"Clean"**, en el control remoto. La luz nocturna comienza a parpadear.
- La luz nocturna parpadea una vez rápidamente cuando la función está habilitada, o lentamente cuando está inhabilitada.

Ahorro de energía

- Cuando esta función está habilitada, el inodoro conserva energía al reducir la temperatura del asiento cuando el inodoro no está en uso. Cuando esta función está inhabilitada, el asiento permanece al nivel establecido, incluso cuando no está en uso.
- Oprima y sostenga oprimido el ícono de iluminación, "**Lighting**", en el panel de control hasta que la luz nocturna parpadee 3 veces.
- Oprima y sostenga oprimido el ícono de temperatura del asiento, "**Seat Temp**", en el control remoto. La luz nocturna parpadea.
- La luz nocturna parpadea una vez rápidamente cuando la función está habilitada, o lentamente cuando está inhabilitada.

Limpieza de la varilla de rocío



NOTA: La punta de rocío de la varilla puede llegar a taparse al paso del tiempo con depósitos minerales provenientes del agua. La varilla de rocío debe limpiarse cuando se note una disminución en su capacidad de rocío.

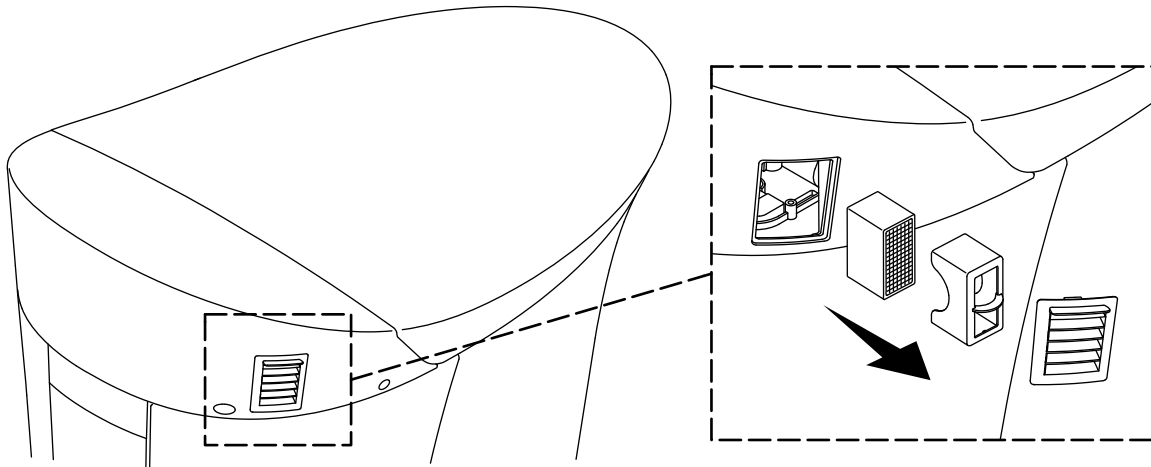
NOTA: La varilla de rocío solo se puede extender para limpiarla cuando el asiento no está activado u ocupado.

- Levante la tapa y el asiento.
- En el control remoto, oprima el ícono de varilla, **“Wand”**, para extender la varilla hacia adelante para limpiarla.
- Limpie la varilla de rocío con un cepillo de cerdas suaves y agua caliente.
- Oprima de nuevo el ícono de varilla, **“Wand”**, u oprima el ícono de paro, **“Stop”**, para retraer la varilla.

Limpieza UV automática

- El ciclo de limpieza UV automática se activa cada 24 horas.
- Si se levanta la tapa del asiento, se cancela el ciclo de limpieza UV que está en proceso.

Reemplazo del desodorizante

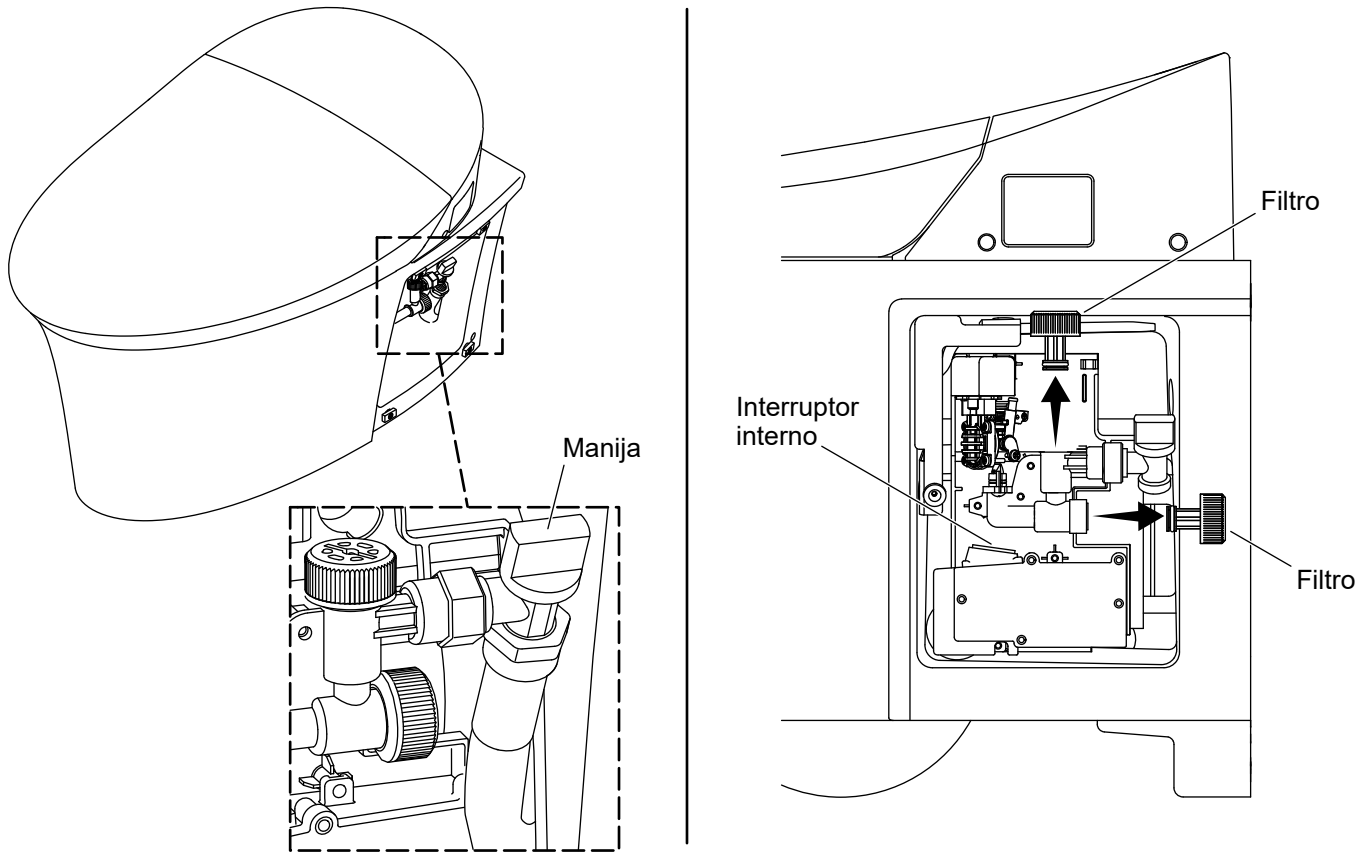


⚠ PRECAUCIÓN: Riesgo de ocasionar daños al producto. Para evitar causar daños a componentes internos durante el reemplazo del bloque desodorizante, no meta los dedos ni ningún otro objeto en la cavidad para el desodorizante.

NOTA: El desodorizante debe ser reemplazado cada 2 años, o cuando disminuya su efecto.

- Retire la cubierta.
- Con cuidado retire el alojamiento del desodorizante del asiento.
- Retire el bloque desodorizante de su alojamiento.
- Introduzca el nuevo bloque desodorizante en el alojamiento.
- Vuelva a instalar el alojamiento en el asiento.
- Vuelva a instalar la cubierta.

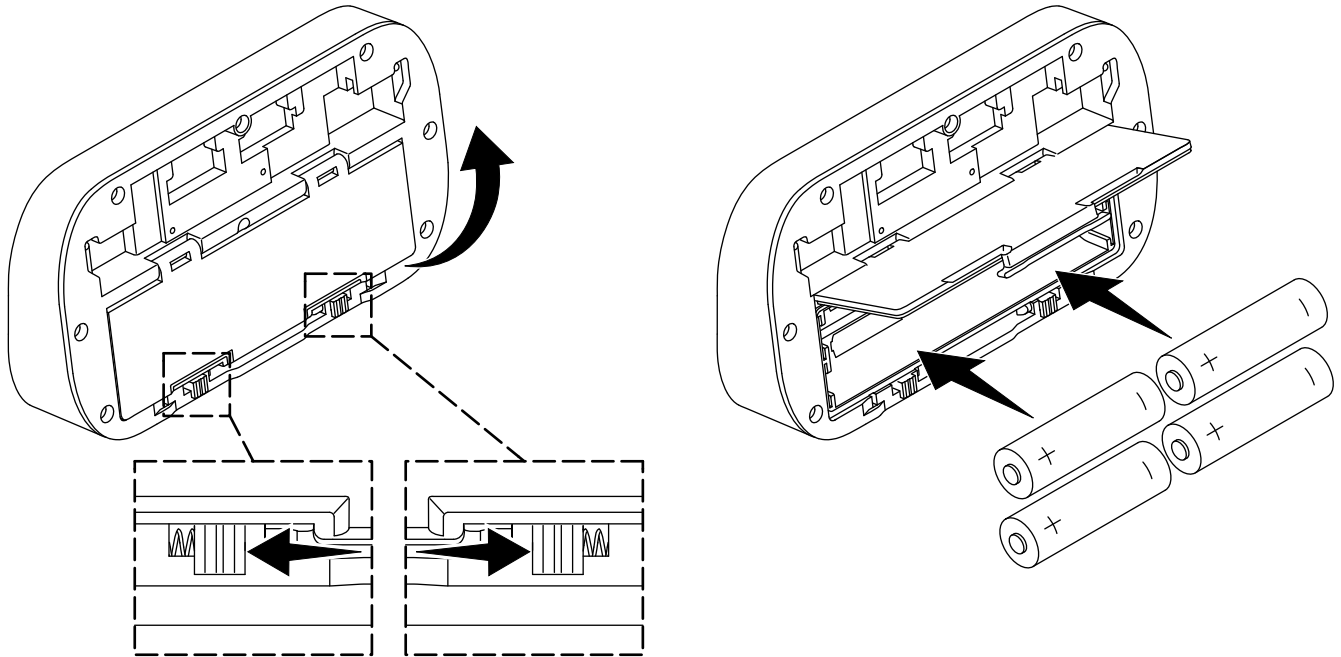
Servicio a los filtros



- Cierre el agua en la llave de paso de suministro.
- Accione la descarga del inodoro para liberar la presión del agua.
- Retire el panel lateral derecho.
- Cambie de posición el interruptor interno para cortar el suministro eléctrico al inodoro.
- Retire los filtros.
- Si los filtros están dañados, cámbielos.
- Si los filtros están tapados, límpielos con un cepillo de cerdas suaves.
- Vuelva a instalar los filtros.
- Cambie de posición el interruptor interno para abrir el suministro eléctrico al inodoro.
- Abra el suministro de agua.
- Vuelva a instalar el panel lateral derecho.

Cambio de pilas

ES



NOTA: La luz roja en la estación de conexión parpadea cuando las pilas están bajas. El ícono de paro, “**Stop**”, en el control remoto parpadea cuando las pilas están bajas, y debe ser devuelto a la estación de conexión.

- Retire el control remoto de la estación de conexión.
- Retire la estación de conexión de la pared, levantándola hacia arriba y hacia fuera con cuidado.
- Para abrir el compartimiento posterior en la estación de conexión, empuje ambas lengüetas hacia fuera al mismo tiempo.
- Saque las pilas.
- Instale las pilas de repuesto, orientadas como se indica.
- Vuelva a instalar la tapa en el compartimiento de pilas.
- Coloque el control remoto en la estación de conexión.

Resolución de problemas

Esta guía de resolución de problemas está diseñada únicamente como ayuda general. Todos los problemas eléctricos deben ser resueltos por un representante de servicio autorizado (ASR) de Kohler Co., o por un electricista capacitado. Para obtener servicio bajo garantía, comuníquese con su consecionario o distribuidor, o llame al Centro de Atención al Cliente mediante la información que aparece al frente de este manual.

Encendido inicial

Al conectar el suministro eléctrico al inodoro, este realiza automáticamente una secuencia de encendido inicial. Esta secuencia incluye movimiento de las varillas, purga de la línea de suministro de agua y parpadeo de la luz nocturna. El inodoro queda sin actividad al completarse la secuencia de encendido inicial.

Si el inodoro no funciona correctamente al completar la secuencia de encendido inicial, o si no inicia su funcionamiento, comuníquese con el Centro de Atención al Cliente con la información que aparece al inicio de este manual.

Niños pequeños

Las funciones automáticas de lavado y de descarga las activa un sensor que está dentro del asiento. Es posible que los niños pequeños no sean lo suficientemente altos para ser detectados por el sensor.

Resolución de problemas de suministro eléctrico

Síntomas	Causa probable	Acción recomendada
1. No llega suministro eléctrico al inodoro.	<p>A. El suministro eléctrico no está abierto.</p> <p>B. El cable de suministro eléctrico está desenchufado del tomacorriente.</p> <p>C. El interruptor de circuito con pérdida a tierra (GFCI) o el dispositivo de corriente residual (RCD) se ha disparado.</p>	<p>A. Retire el panel lateral derecho y encienda el interruptor interno de suministro eléctrico.</p> <p>B. Enchufe el cable de suministro eléctrico al tomacorriente protegido con GFCI o con RCD.</p> <p>C. Restablezca el interruptor GFCI o el dispositivo RCD.</p>
2. El inodoro emite un sonido cuando se abre o cierra el suministro eléctrico.	<p>A. El inodoro emite un sonido durante la secuencia de encendido inicial y al apagarse.</p>	<p>A. Funcionamiento normal. No se requiere acción alguna.</p>
3. El inodoro no responde.	<p>A. El suministro eléctrico al inodoro fue interrumpido brevemente.</p>	<p>A. Cierre el suministro eléctrico al inodoro y espere a que terminen los sonidos de apagado. Luego restaure el suministro eléctrico al inodoro.</p>
4. La luz nocturna no se enciende cuando hay poca luz.	<p>A. La luz nocturna no está habilitada.</p> <p>B. La lente del sensor de luz tenue está sucia.</p>	<p>A. Habilite la luz nocturna. Consulte la sección "Habilitar / Inhabilitar funciones automáticas".</p> <p>B. Limpie la lente del sensor de luz a un lado del inodoro cerca del panel de control.</p>

Resolución de problemas de descarga

Síntomas	Causa probable	Acción recomendada
1. El inodoro no acciona la descarga.	<p>A. El suministro de agua al inodoro no está abierto.</p> <p>B. El inodoro está tapado.</p> <p>C. El control remoto no funciona.</p>	<p>A. Abra el suministro de agua.</p> <p>B. Destape el inodoro con un destapacaños. En casos de taponamiento excesivo, se debe usar una sonda destapacaños.</p> <p>C. Consulte la sección "Resolución de problemas del control remoto".</p>
2. El inodoro no acciona la descarga automáticamente.	<p>A. La función de descarga automática no está habilitada.</p> <p>B. El sensor no detecta al usuario.</p>	<p>A. Active la descarga automática. Consulte la sección "Habilitar / Inhabilitar funciones automáticas".</p> <p>B. Es posible que los niños sean demasiado pequeños para ser detectados por el sensor. Descargue el inodoro mediante el control remoto.</p>
3. El inodoro descarga inesperadamente.	<p>A. La función de descarga automática está habilitada.</p>	<p>A. Cuando la descarga automática está habilitada, el inodoro descarga un poco después de ser usado. Consulte la sección "Habilitar / Inhabilitar funciones automáticas" para inhabilitar la función de descarga automática.</p>
4. No hay agua, o hay poca, en la taza del inodoro.	<p>A. El agua se ha evaporado durante un periodo prolongado entre usos.</p>	<p>A. Accione la descarga del inodoro para volver a llenar la taza.</p>

Resolución de problemas del asiento y de su tapa

Síntomas	Causa probable	Acción recomendada
1. La tapa del asiento no se abre automáticamente.	<p>A. La función de abrir o cerrar la tapa del asiento no está habilitada.</p> <p>B. El sensor de movimiento está ajustado a una larga distancia.</p>	<p>A. Active la función de abrir o cerrar la tapa del asiento. Consulte la sección "Habilitar / Inhabilitar funciones automáticas".</p> <p>B. Mediante el control remoto ajuste la distancia del sensor para abrir o cerrar la tapa del asiento.</p>
2. La tapa del asiento se abre inesperadamente.	<p>A. El sensor de movimiento está ajustado a una corta distancia.</p>	<p>A. Mediante el control remoto ajuste la distancia del sensor para abrir o cerrar la tapa del asiento.</p>
3. El asiento no está caliente.	<p>A. El inodoro está en el modo de ahorro de energía.</p> <p>B. La función de calefacción del asiento no está habilitada.</p> <p>C. La selección de temperatura es demasiado baja.</p>	<p>A. El asiento se calentará al ser usado. Consulte la sección "Habilitar / Inhabilitar funciones automáticas".</p> <p>B. Active la calefacción del asiento. Consulte la sección "Habilitar / Inhabilitar funciones automáticas".</p> <p>C. Ajuste la temperatura de calefacción del asiento mediante el control remoto.</p>

Resolución de problemas de lavado

Síntomas	Causa probable	Acción recomendada
1. No fluye agua, o fluye poca, de la varilla de rocío.	<p>A. El suministro de agua al inodoro no está abierto.</p> <p>B. La manguera de suministro de agua al inodoro está torcida o forma un bucle demasiado apretado.</p> <p>C. El sensor no detecta al usuario.</p> <p>D. Los filtros están tapados o dañados.</p>	<p>A. Abra el suministro de agua al asiento.</p> <p>B. Destuerza la manguera o haga un bucle más amplio.</p> <p>C. Es posible que los niños pequeños no sean detectados. Ajuste la posición al estar sentado. El sensor puede tener dificultades con la tela o con otros objetos. El sensor está diseñado para detectar la piel.</p> <p>D. Dé servicio a los filtros. Consulte la sección "Servicio a los filtros".</p>
2. El agua deja de fluir inesperadamente de la varilla de rocío.	<p>A. El lavado frontal o posterior se detiene automáticamente después de varios minutos.</p>	<p>A. Oprima el ícono de lavado frontal "Front" o posterior "Rear" para reiniciar el lavado.</p>
3. La varilla de rocío se mueve erráticamente o no se extiende.	<p>A. El ciclo de lavado fue interrumpido.</p> <p>B. La varilla de rocío no responde al control remoto.</p> <p>C. El sensor no detecta al usuario.</p> <p>D. El sello que protege contra el flujo de agua hacia el asiento está seco.</p> <p>E. La varilla de rocío hace una breve pausa para ser enjuagada, y luego se retrae por completo.</p>	<p>A. Corte el suministro eléctrico al inodoro por medio del botón de encendido en la parte posterior del inodoro, espere 10 segundos. Active el suministro eléctrico.</p> <p>B. Corte el suministro eléctrico al inodoro por medio del botón de encendido en la parte posterior del inodoro, espere 10 segundos. Active el suministro eléctrico.</p> <p>C. Es posible que los niños sean demasiado pequeños para ser detectados por el sensor.</p> <p>D. Extienda la varilla de rocío mediante el control remoto. Limpie la varilla con jabón líquido. Enjuague la varilla, y luego aplique más jabón líquido para lubricar. Retraiga la varilla.</p> <p>E. Funcionamiento normal. No se requiere acción alguna.</p>
4. El aire de secado está demasiado caliente.	<p>A. La temperatura del aire está ajustada demasiado alta.</p>	<p>A. Baje la temperatura del aire mediante el control remoto.</p>
5. El aire de secado no se activa de inmediato.	<p>A. La varilla de rocío no ha terminado de retraerse después de que se completa el ciclo de lavado.</p>	<p>A. Existe un breve retraso mientras se retrae la varilla por completo, y luego se vuelve a extender para el ciclo de secado.</p>
6. El desodorizante no está funcionando.	<p>A. No está habilitada la función automática de desodorizante.</p>	<p>A. Active la función automática de desodorizante. Consulte la sección "Habilitar / Inhabilitar funciones automáticas".</p>
7. El inodoro hace sonidos de bip cuando está ocupado.	<p>A. El asiento ha estado ocupado durante mucho tiempo.</p>	<p>A. Funcionamiento normal. No se requiere acción alguna.</p>

Resolución de problemas del control remoto

Síntomas	Causa probable	Acción recomendada
1. El control remoto no enciende.	A. Las pilas no están bien instaladas. B. Es necesario cambiar las pilas.	A. Vuelva a instalar las pilas. Consulte la sección "Cambio de pilas". B. Cambie las pilas. Consulte la sección "Cambio de pilas".
2. El control remoto no tiene conexión con el asiento.	A. El control remoto está demasiado lejos del inodoro para recibir una señal. B. El control remoto no está vinculado al inodoro.	A. Acerque el control remoto al inodoro para recobrar la conexión. B. Vincule el control remoto al inodoro. Consulte la sección "Configuración del control remoto".

Conformidad

Contiene las ID de la FCC: N82-KOHLER053, N82-KOHLER051

El control remoto contiene la ID de la FCC: N82-KOHLER051

IFT: RCPKOK523-0137

Este dispositivo cumple lo establecido en la parte 15 de las normas de la FCC. Su funcionamiento está sujeto a las siguientes dos condiciones: (1) que este dispositivo no cause interferencia perjudicial y (2) que acepte cualquier interferencia, incluida la que pueda causar funcionamiento no deseado.

Cualquier modificación o cambio sin aprobación expresa de la parte responsable del cumplimiento podría invalidar el derecho del usuario a utilizar el equipo.

Este equipo ha sido probado, y se ha encontrado que satisface los límites de un aparato digital Clase B, de acuerdo a la parte 15 de las normas de la FCC. Estos límites están diseñados para ofrecer protección razonable contra interferencia perjudicial en una instalación residencial. Este equipo genera, usa y puede radiar energía de radiofrecuencia y, si no se instala y utiliza en cumplimiento de las instrucciones, puede causar interferencia perjudicial a las comunicaciones de radio. Sin embargo, no se garantiza que la interferencia no pudiera ocurrir en una instalación en particular. Si este equipo causa interferencia perjudicial a la recepción de radio o televisión, lo que se puede determinar al encender y apagar el equipo, se le recomienda al usuario que trate de corregir la interferencia mediante una de las siguientes medidas:

- Cambiar la orientación o el lugar de la antena receptora.
- Aumentar la separación entre el equipo y el receptor.
- Conectar el equipo a un tomacorriente en un circuito diferente al que utiliza el receptor.
- Consultar al distribuidor o a un técnico con experiencia en radio y televisión, para obtener ayuda.

Advertencia de exposición a radiofrecuencia

Este transmisor con su antena cumple los límites de exposición de radiofrecuencia (RF) de la FCC para la exposición no controlada/población general. Este dispositivo no debe ubicarse ni hacerse funcionar con ninguna otra antena o transmisor. Este dispositivo se debe usar a una distancia mínima de 7-7/8" (200 mm) entre el radiador y su cuerpo.

Contiene las IC: 4554A-KOHLER053, 4554A-KOHLER051

El control remoto contiene la IC: 4554A-KOHLER051

Este dispositivo cumple las normas RSS de exención de licencia de Industry Canada. El funcionamiento está sujeto a las siguientes dos condiciones: (1) que este dispositivo no cause interferencia y (2) que acepte cualquier interferencia, incluida la que pueda causar funcionamiento no deseado del dispositivo.

Este transmisor con su antena cumple los límites de exposición de radiofrecuencia (RF) de la Industria de Canadá para la exposición no controlada/población general.

Este aparato digital Clase B cumple la norma canadiense ICES-003.

kohler.com

THE BOLD LOOK
OF **KOHLER**®

©2025 Kohler Co.



1486215-5

1486215-5-D