

### TWO-PIECE TOILET WITH SEAT K-28416K

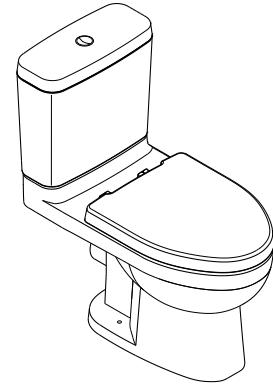
#### Features

- Vitreous china.
- Round-front bowl.
- Concealed bowl.
- Includes wrapped seat.
- Includes polished chrome push button.
- Wash Down flushing system.
- Dual flush 3/4.5 liter per flush.
- 185 mm rough-in for Plastic P-trap.
- 680 x 391 x 776 mm

#### Codes/Standards Applicable

Specified model meets or exceeds the following:

- MS1552



#### Technical Information

| Fixture:               |                        |
|------------------------|------------------------|
| Configuration          | two-piece, round-front |
| Water per flush        | 3/4.5 liter            |
| Passageway             | 51 mm                  |
| Water area             | 127 x 102 mm           |
| Water depth from rim   | 240 mm                 |
| Seat post hole centers | 140 mm                 |

| Included Components:            |               |
|---------------------------------|---------------|
| Bowl(For K-28416K-**)           | 28412K-**     |
| Tank                            | 22243K-PTR-** |
| Tank cover                      | 1203722-SP-** |
| Wrapped seat                    | K-5574K-**    |
| Plastic P-Trap(For K-28416H-**) | 1138552       |

#### Installation Notes

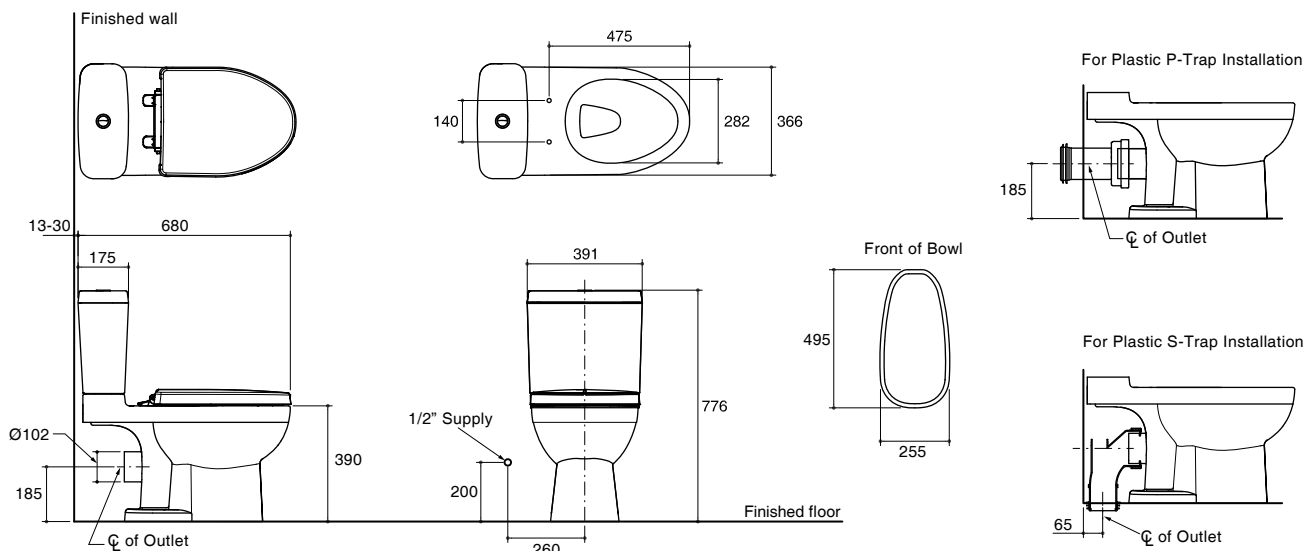
Install this product according to the installation guide.

#### Specified Model

| Model    | Description   | Color/Finished |
|----------|---|----------------|
| K-28416K | Reach Concealed two-piece toilet 3/4.5L, P-trap 185 MM, with Wrapped seat | 0: White       |

| Recommended Accessories |                              |                     |
|-------------------------|------------------------------|---------------------|
| 1065832                 | Water Supply Hose, Stainless | CP: Polished Chrome |
| 1265885-SP              | Shut Off Valve               | CP: Polished Chrome |

Dimensions are approximate.  
Unit: mm



Note: The recommended dimension for installation can be adjusted according to user preferences and layout.  
Kohler Co. reserves the right to make changes in product characteristics, packaging, or availability at anytime without notice.

#### Product Diagram