

## BEFORE YOU BEGIN

- This instruction contains important information concerning the installation of integrated acrylic bath and integrated massage bath. (Integrated massage bath refers to massage bath and BBM with airjets.)
- For the installation of other bath, please ignore these instructions concerning massage bath.
- Please read these instructions carefully to familiarize yourself with the required tools, materials, and installation sequences. Follow the sections that pertain to your particular installation. This will help you avoid costly mistakes. In addition to proper installation, read all operating and safety instructions.
- All information is based on the latest product information available at the time of publication. Kohler China Ltd. reserves the right to make changes in product characteristics, packaging, or availability at any time without notice.
- These instructions contain important care, cleaning, and warranty information-**please leave these instructions for the consumer.**
- Please provide adequate available space for the bath unit in accordance with rough-in. Arrange the location of drain in advance.

### IMPORTANT:

All installations must comply with council and local authority by-laws. It is the responsibility of the installer to ensure that the waste is made watertight by means of silicone sealant or caulking compound.

**NOTE:** Bath can be installed after the wall is completed. Bath drain supplies and electric wiring should be arranged preliminarily according to the selected bath.

## 安装之前

- 本说明书包含压克力整体化浴缸和整体化按摩浴缸的安装及注意事项。(整体化按摩浴缸指喷头出水的按摩浴缸和泡泡按摩浴缸。)
- 普通浴缸的安装时，可以忽略关于按摩浴缸的安装要求。
- 请仔细阅读此说明书以熟悉所需要的工具、材料及安装顺序。遵循适合您的特定安装要求的各项内容，避免昂贵的损失。除了要正确安装外，还应阅读操作及安全说明。
- 所有的资料是按最新出版的产品资料编写而成。科勒中国有限公司保留任何时候无须通知即可改变产品特性、包装或产品可供类型的权利。
- 说明书包括重要的安装、清洁及保养方面的内容，请把这些资料交给用户阅读。
- 请根据浴缸结构和尺寸预留相应安装空间，预排落水位置。

### 重要信息:

所有安装必须符合行业理事业会和地方政府的章程。安装人员有责任保证使用硅胶或填缝材料使污水不泄漏。

**注意:** 本浴缸可以在浴室墙面完工后安装。但请预先根据所选浴缸预排地漏，供水管和电气线路。

## PRODUCT REQUIREMENTS

### A. Summary Of Key Requirements

- Observe all local plumbing codes.
- Install the unit to a level subfloor.

### B. Product Inspection

Uncrate and inspect bath for damage. Leave all materials in carton during construction to prevent damage.

**NOTE:** Damage occurred during transit shall not be covered by warranty.

## 产品要求

### A. 关键要求的总结

- 请遵守当地的卫生管道施工规范。
- 在水平的底层地板上安装浴缸。

### B. 产品检查

打开包装箱并检查浴缸是否损坏。施工期间将所有的材料都留在箱内，以防止损坏。

**注意:** 搬运或安装过程中所造成的损坏将不能获得保修。

## C. Electrical Connection

The installation must have a 30mA Earth Leakage Circuit Breaker. The GFCI protects against Line-to-Ground shock hazard. Use a 220-240V, 10A (minimum), 50Hz dedicated service for the whirlpool.

## C. 电气要求

按摩浴缸的供电线路上必须安装额定触发电流为30mA的漏电保护开关(GFCI)。漏电保护开关可避免线路对地的触电危险，请提供一条220-240伏/50赫兹，最小额定电流为10安培的专用线路供水泵使用。

## PRODUCT NOTICES

## 按摩浴缸产品注意事项

### A. Installation Hazard Notification

**DANGER: Risk of fire, electric shock, or injury to persons.** Read important safety instructions on inside front cover of these instructions.

**WARNING: Risk of electrical shock.** A licensed electrician should make all electrical connections.

**WARNING: Risk of electrical shock.** Connect only to a circuit protected by a Ground-Fault Circuit-Interrupter (GFCI) or Earth-Leakage Circuit-Breaker (ELCB).

**WARNING: Risk of electrical shock.** Disconnect power before servicing.

**WARNING: Risk of injury or property damage.** Please read all instructions thoroughly before beginning installation, including the following Product Requirements.

**CAUTION: Risk of product damage.** Do not lift the bath with airjets by the air channels or blower motor, or use the air channels or blower motor for structural support of the bath.

**NOTICE:** Follow all local plumbing and electrical codes.

### A. 安装危险警告

危险：有起火、触电或人员受伤的危险。请阅读本说明书封面内页的重要安全指示。

警告：有触电的危险。请找合格的电工来进行所有的线路连接。

警告：有触电的危险。仅能和由接地故障断路器(GFCI)或漏电断路器(ELCB)保护的电路相接。

警告：有触电的危险。工作之前先切断电源。

警告：有受伤或财物受损的危险。开始安装之前，请先彻底阅读所有说明，包括以下的产品要求。

警告：存在产品受损危险。请不要利用通气管或气泵抬起泡泡浴缸，或者利用通气管或气泵作为浴缸的支撑物。

注意：请遵守所有的本地卫生管道和电气规范。

### B. Factory-Assembled Features

Factory installed components include water pump, air pump and control box and so on. No installation is needed.

**WARNING: Unauthorized modification may cause unsafe operation and poor performance of the whirlpool.** Do not relocate the whirlpool pump and air pump, or make other modifications to the whirlpool system, as this could adversely affect the performance and safe operation of the whirlpool. Kohler Co. shall not be liable under its warranty or otherwise for personal injury or damage caused by any such unauthorized modification.

### B. 由厂家组装的机件

由厂家安装的机件包括水泵、气泵和控制盒等，不须自行安装。

警告：如果未经过授权而自行改装，可能造成按摩浴缸在操作上不安全及性能不良。请勿将按摩浴缸的水泵和气泵移位或对按摩浴缸系统做任何改装，否则可能对按摩浴缸的性能和安全操作造成严重影响。若由于未经过授权而自行改装造成人员受伤或损害，科勒中国有限公司将不依据担保条例予以负责。

## INSTALLATION REQUIREMENTS

## 安装要求

### A. Tools Required B. Materials Required

- Adjustable pipe wrench
- Rule
- Level
- Safety shoes
- Safety glasses
- Square
- Screwdriver
- Pliers
- Utility knife
- Adjustable wrench
- Plumbers putty
- Wall coverings(as necessary)
- Silicone sealant
- Gypsum cement(optional)
- Construction adhesive (optional)
- Protective covering for bathtub
- Nails

### A. 所需工具

- 管道扳手
- 刻度尺
- 水平仪
- 安全鞋
- 安全眼镜
- 直角尺
- 螺丝刀
- 钳子
- 多用工具刀
- 活动扳手

### B. 所需材料

- 管道用油灰
- 墙面保护罩(如需要)
- 密封硅胶
- 石灰水泥(选用)
- 建筑粘胶(选用)
- 浴缸保护套
- 钉子

### C. Clearance Requirements

Check the rough-in and room dimensions to provide adequate available space for the bath unit.

### C. 预留尺寸

检查安装尺寸及浴室尺寸，确保有足够的空间安装浴缸。

## SITE REQUIREMENTS

## 场所要求

### A. Subfloor Preparation

Check the flooring under the bath, and make repairs as needed. Make sure the subfloor is level.

### A. 底层地板的准备

检查浴缸下的地面，若需要请进行修补。请确保底层地面水平。

### B. Prepare the Site

Make sure the flooring offers adequate support for your bath, and verify that the subfloor is flat and level.

### B. 场所准备

确保地面具有足够的支撑力支撑您的浴缸，并核实底层地面是水平的。

## BEFORE INSTALLING UNIT

## 安装浴缸之前

### Protect the Bath Unit

Position a protective covering or similar material in the bottom of the unit. Be careful not to scratch the bath surface.

### 保护浴缸

在浴缸表面盖上保护套或类似的材料，小心不要划伤浴缸表面。

### NOTES:

1. Flush the water supply pipes thoroughly to remove debris.
2. Inspect the supply tubing for damage. Replace as necessary.
3. Observe local plumbing codes.
4. The minimum inlet water pressure for the faucet diverter is 0.05Mpa(0.5bar).

### 注意事项:

1. 一定要先彻底冲洗供水管以清除管道中的杂质。
2. 检查供水管有无损坏。如需要，进行替换。
3. 遵守当地管路安装条例。
4. 龙头切换器正常工作的最小压力为:0.05Mpa (0.5bar)。

## INSTALL THE BATH

## 安装浴缸

### A. Locate the bath in the proposed position

Adjust the feet under the bath to make it level. Tighten the nut to fix the height of the bath.

#### IMPORTANT:

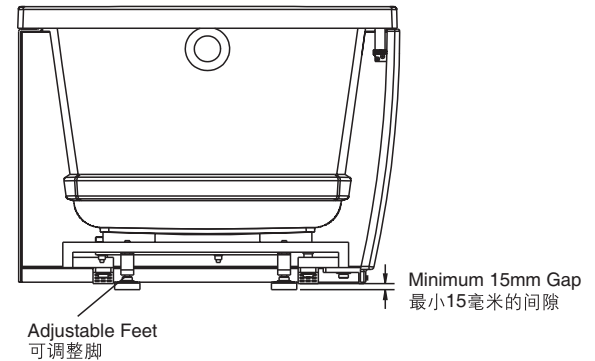
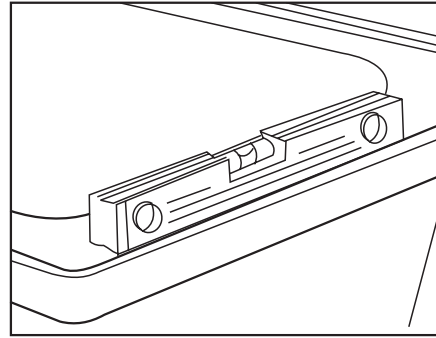
- The bath must be installed level on all top edges. Floor should be flat, level and free of any bumps or protrusions.
- Keep the clearance of minimum 15mm from floor to the apron for removing the apron. Be careful with the drain hose to prevent it to be squeezed.

### A. 将浴缸放在合适的位置

调整浴缸底部可调支撑脚使浴缸达到水平位置。最后拧紧螺母，就可以固定浴缸高度。

#### 注意：

- 浴缸必须水平安装。底层地板必须水平。不得有凹凸不平的现象。
- 为了拆装裙板，浴缸裙板离地最少15毫米的间隙。注意避免排水管受挤压。



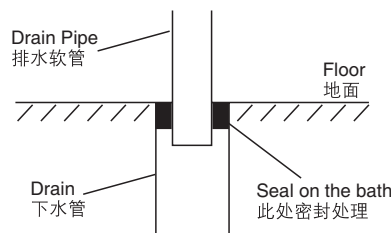
### B. Plumbing Installation and Electric Wiring

#### CAUTION: Risk of damage to bath bottom and subfloor.

- 1). When the bath is securely positioned, connect the drain to the trap and apply silicone sealant.
- 2). Connect drain with drainage pipe and check all connections for leak.

#### CAUTION: Risk of property damage. Ensure a watertight seal on the bath drain.

- 3). Ensure a seal on the bath drain and the floor drain.



- 4). The installation of the faucet and drain has been completed before the bath leaves factory. Connect cold and hot water supplies. Open the hot and cold water valves, and check the supply connections for leaks.
- 5). Connect power supply (220V/50Hz, 10A) to bath. This should be a separate line, direct from the switchboard.

**Note:** The electrical connections must comply with local authority regulations and must be done by an authorized electrician.

### B. 安装卫生管道和电气连接

注意：避免损坏浴缸底部和底层地板。

- 1). 当浴缸就位后，将排水管与地漏相接，用硅胶密封。
- 2). 将落水装置与下水道连接，并检查各连接处密封情况。

警告：存在产品受损危险。请确保浴缸落水装置的水密性。

- 3). 排水管与地漏连接处密封处理。

- 4). 龙头和排水在出厂之前已为您安装完毕。将冷热水管连接到您的水源上。打开冷水及热水阀门，检查所有给水管接头是否有渗漏。

- 5). 将按摩浴缸连接到额定电压为220V/50Hz，额定电流为10A的供电线路上，这根电源线应该是单独的从开关箱上接出。

注意：电气连接必须由授权电工来完成，操作必须符合当地电气规范。

6). Fill bathtub with water to the height of the overflow and trial run the massage function for 10-15 minutes. Check all the fittings for leaks and test the control functions. Check the pump and pipes union connections for leaks. Hand tighten union connections if required. Check bath drains and overflow for leaks.

6). 对按摩浴缸注入水至溢水口高度，试运行按摩功能10-15分钟。检查所有的部件是否有渗漏并测试控制系统。检查水管连接处是否有渗漏。如有必要的话将各接头处再拧紧。检查排水口，溢水口是否有渗漏。



Check Connections for Leakage  
检查接头处连接是否渗漏

7). After installation, please trial run the massage bath according to user's manual.

7). 安装完成后，根据客户手册调试按摩浴缸。

**IMPORTANT:** Your spa has been factory tested and approved. It is the responsibility of the installer to test run the spa check all the fittings for leaks and test the control functions.  
NON OBSERVANCE WILL INVALIDATE FACTORY WARRANTY.

**重要信息：**按摩浴缸已经工厂检测通过。安装人员有责任检查按摩浴缸的工作情况，检查所有安装有无渗漏。检查控制功能。疏忽导致的损坏，不能获得工厂的保修。

### C. Install and Remove the Apron

### C. 安装拆卸裙板

If the apron needs removing, please follow the steps below:

如果需要拆卸裙板，请遵循如下步骤：

- 1) Remove the screw cap and loosen the screw.
- 2) Push the upper part of the apron inwards, pull down the apron and it can be removed easily.
- 3) When installing the apron, insert the top of the apron into the enclosure, then fix and cap the screws.

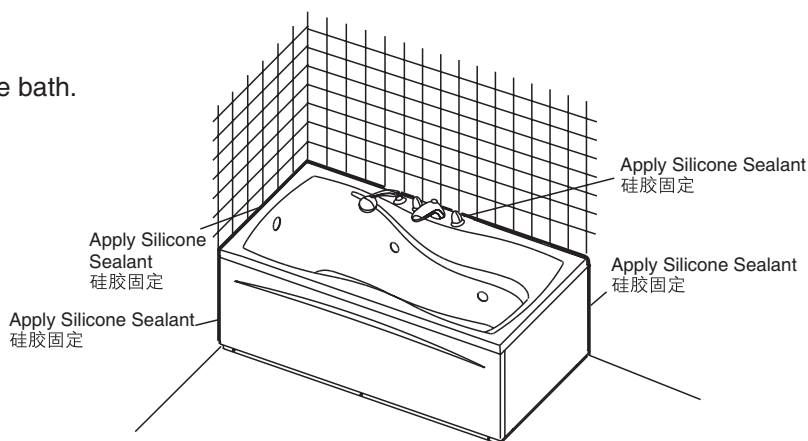
- 1). 拿掉螺丝盖帽，拧下螺丝。
- 2). 裙板上部稍稍往里推一点，把裙板往下移，裙板便拆下来了。
- 3). 安装裙板时，先把裙板上部插入浴缸围边，然后拧上螺丝，盖上螺丝帽。

### D. Apply Sealant

1. After the bath is fixed, apply sealant around the bath.

### D. 硅胶密封

1. 浴缸就位后，浴缸周围施以硅胶密封。



## OWNER ' INSTRUCTIONS: FAUCET SECTION

Both handles open with turning counter-clockwise and close with turning clockwise. Turn on the faucet, water flows from the bath spout. Pull diverter, water flows from the handspray. When turn off the faucet, the diverter returns to the bath position.

## DIRLLING AND CUTTING ACRYLIC

**DRILLING:** Small holes can be drilled with a twist drill, but the cutting edge MUST be backed off with an oil stone (the sharp edge dulled). Large holes must be drilled with a hole saw. Maximum drill size-12mm. Drill speeds-6mm x 1800 RPM-12 mm x 900 RPM.

**NOTE:** Always drill from acrylic surface.

**CUTTING:** If for any reason the acrylic requires cutting, use a fine tooth hacksaw and proceed with caution. Edges can be smoothed with a second-cut file and medium-fine sandpaper. If the surface of the acrylic should happen to be damaged, it can be restored by polishing with an abrasive cleaner. Deep scratches can be removed by rubbing with 600 grade wet & dry sandpaper then polishing.

## CARE AND CLEANING OF YOUR PILLLOW

**Bath:** Your new vinyl pillow can be routinely cleaned with mild soap and water. Remove stubborn stains with cleaning products recommended for vinyl.

**Pillow:** Periodically use a vinyl treatment product to rejuvenate the appearance of the vinyl skin.

**Faucet:** All Finishes: Clean the finish with a mild soap and warm water. Wipe entire surface completely dry with a clean soft cloth. Many cleaners may contain chemicals, such as ammonia or chlorine, which could adversely affect the finish and are not recommended for cleaning.

Do not use abrasive cleaners or solvents on Kohler faucets and fittings.

## CLEAN-UP AFTER INSTALLATION

When cleaning up after installation, do not use abrasive cleansers as they may scratch and dull the surface. Use warm water and liquid, non-abrasive detergent to clean the surface.

Stubborn stains, paint, or tar can be removed with mineral spirits. Do not use cleaners containing solvent. Plaster can be removed by scraping with wood edge. Do not use metal scrapers, wire brushes, or other metal tools. One of the powder type detergents may be used on a damp cloth to provide mild abrasive action to the residual plaster.

## 用户使用说明：龙头部分

逆时针旋转两把手为开，顺时针旋转两把手为关。打开龙头，水从浴缸出水口流出。拉一下切换器，水流将从花洒流出。当关上龙头时，切换器将自动回复到浴缸出水口出水状态。

## 在亚克力表面上钻孔和切割

**钻孔：**可用一麻花钻头钻小孔，但切削刃必须用一块油石磨钝。大孔须用孔钻加工。麻花钻头的最大尺寸为12mm，速度为6mmx1800转/分至12mmx900转/分。

**注意：**钻孔要从亚克力表面钻向浴缸背面。

**切割：**如果因故需要切割亚克力，请用优质齿型钢锯仔细切割。边缘可用一旧锉刀及中等砂纸磨平。如果亚克力表面受损，可用研磨膏及中性清洁剂抛光，将其恢复。深度刮伤可用600号水砂纸磨平，然后抛光。

## 清洁与保养

**浴缸：**可以用水和中性肥皂清洗您的浴枕。请使用用于清除聚乙烯产品的清洁剂清除顽固污渍。

**浴枕：**请定期清洁您的浴枕表面。

**龙头：**适用于所有加工处理过的表面：以中性肥皂温水清洗镀层表面，再以干净的软布彻底擦干整个表面。许多清洁剂，比如阿摩尼亚、去污粉，会对电镀表面造成伤害而不宜使用。

有腐蚀性的清洁剂或溶剂不可用于科勒牌的水龙头及其附件上。

## 完工清理

在安装完成后进行清理时，请勿使用磨损性的清洁用具，以免擦伤浴缸表面，使其失去光泽。使用温水和非磨损性的液体清洁剂，清洗浴缸表面。

难以清除的污迹、油漆、或柏油，可用酒精擦净。不要使用含有溶剂的清洁剂。滞留水泥可用薄木刀刮掉。请不要使用金属刮刀，钢丝刷，或其它金属工具。对残留的水泥浆，可用湿布粘些洗衣粉，以提供轻微的研磨作用。

## IMPORTANT CONSUMER INFORMATION

## 重要的用户资料

### Consumer Responsibilities

**Cleaning Acrylic Surfaces:** Do not use abrasive cleansers on any acrylic surfaces, as they will scratch and dull the surface. Wipe out the bath after each use to prevent a build-up of soap and scum.

If the acrylic surface becomes dull, an automotive type rubbing compound \*may be used on the unit, followed by an application of paste wax.

\*We recommend:

Rubbing compound mequiars mirror glaze 28 metal polish (import product) or "green oil".

### 用户的责任

**清洗亚克力表面:** 请勿在亚克力表面使用磨损性的清洁用具, 以免擦伤浴缸表面, 使其失去光泽。每次使用后, 将浴缸擦干, 以防止肥皂和污垢沉积。

若亚克力表面失去光泽, 先用汽车抛光剂\*, 然后再用粗腊打亮。

\*我们推荐使用以下2种抛光剂:

- ① Mequiars 镜面光亮28金属上光剂。(进口)
- ② 抛光膏(绿油)。

## SERVICE

## 维修

The installer can check the "trouble shooting guide" before a service agent needs to be called. If the unit is still not operating properly advise your local merchant/distributor from whom you purchased your spa bath. It is important to give the following information:

- A. Warranty Number
- B. Bath type
- C. Date of purchase
- D. Details of complaint

请求维修人员维修前, 安装人员可检查“故障检修指南”。如果产品不能正常工作, 请告之所购产品处的经销商/代理商。重要的是, 要告之以下信息:

- A. 保修号
- B. 浴缸类型
- C. 购买日期
- D. 故障详细情况