

29008T-4 感应梳洗脸盆龙头

安装之前

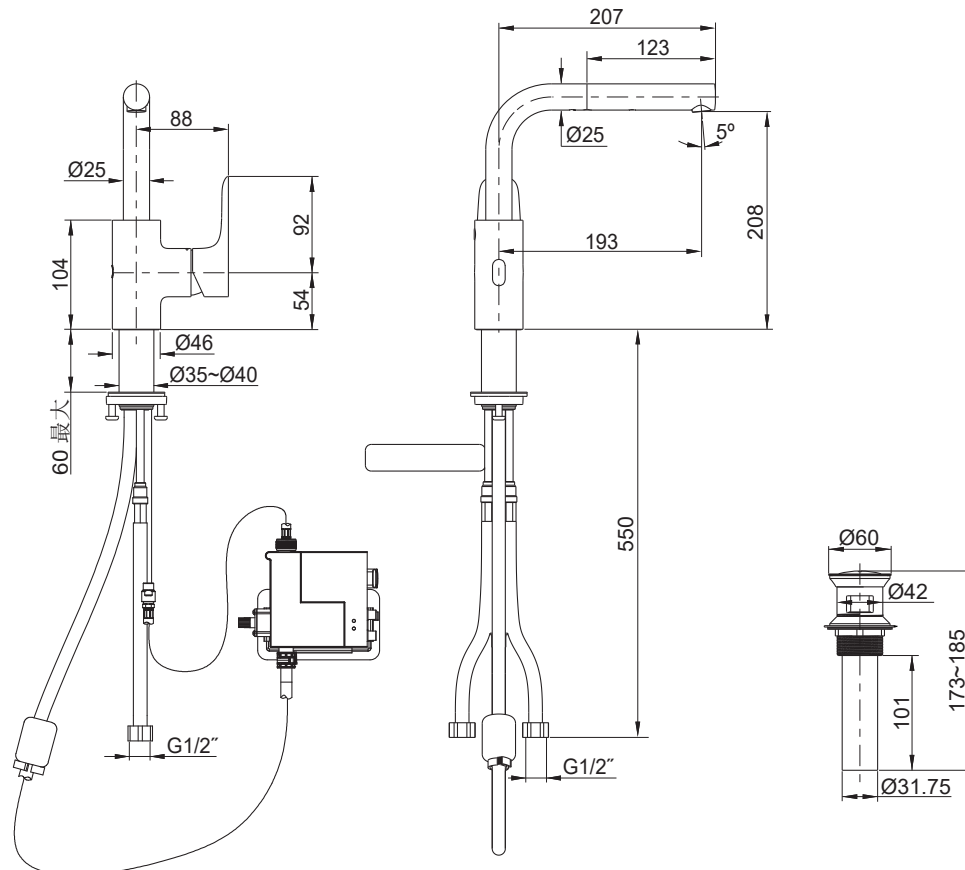
所有的资料是按最新发布的产品资料编写而成。科勒公司保留任何时候不经通知即可改变产品特性、包装或产品可供类型的权利。

说明书包括重要的安装、保养及清洁方面的内容，请把这些资料交给用户阅读。

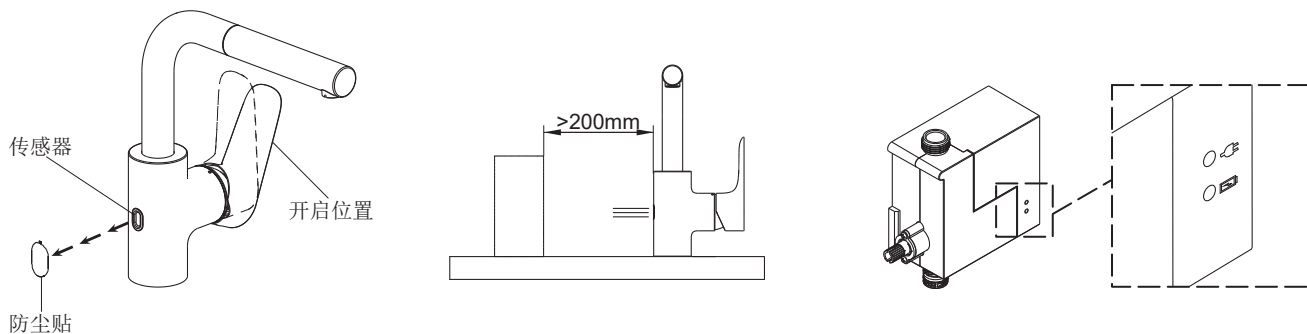
注意事项：

1. 一定要先彻底冲洗供水管以清除管道中的杂质。
2. 如果是安装新的脸盆，可将水龙头先装到脸盆上。
3. 花洒最高工作压力：**0.5MPa(5bar)**。水压超过**0.5MPa(5bar)**时必须安装减压阀。花洒最高工作温度及环境温度：**60°C**。请特别注意花洒同花洒连接的臂管须远离加热器，否则可能损坏花洒及其密封件，甚至对使用者造成伤害。
4. **人身损害或财产损坏风险**。开始安装前，请从头到尾阅读产品说明。
5. 严格遵守一切管道铺设、电气和建筑规范。
6. **淡水污染风险**。这个水龙头有反虹吸保护装置。切勿拆下任何内部部件。
7. **产品损坏风险**。本产品含有敏感的电子元件。切勿将打开的化学或清洁产品容器存放在本产品附近。
8. 安装电子阀支架时，确保重锤不干涉电子阀或电线连接。
9. 留出足够的维修空间：
 - ①安装水龙头之前，确保脸盆下面的浴室柜区域能够容纳所有需要的组件。
 - ②考虑后续步骤中涉及到的连接，确保支架位置留有足够的空间用于花洒软管和重锤的操作使用。

安装尺寸



使用说明



龙头操作

- 去掉感应窗口上的防尘贴。
- 向外旋转把手至打开位置，如电子阀已开启，则龙头自动出水；如电子阀未开启，则龙头不出水，需挥手感应开启电子阀。持续4分钟不操作后，龙头出水自动关闭，需重新挥手感应开启龙头出水。
- 调节把手至所需水温。
- 伸手在传感器旁边再次挥动以关闭出水。

注意：

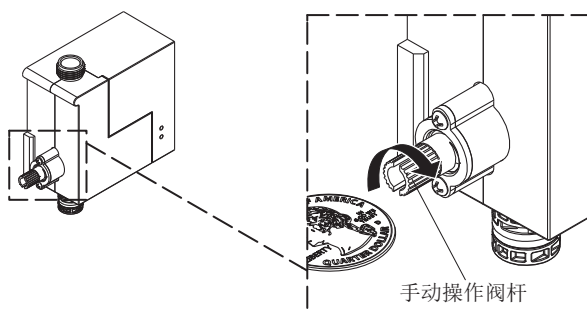
- 长时间不使用时，应将把手旋转回关闭(直立)位置。
- 传感器需远离蒸汽。
- 不要在传感器正对面200mm以内放置任何物品，以免误触发感应和电耗损。

电子阀LED灯指示说明

- **绿色LED：**表示已安装并连接交流插头。
- **红色LED闪烁：**表示电池电量不足。

特征

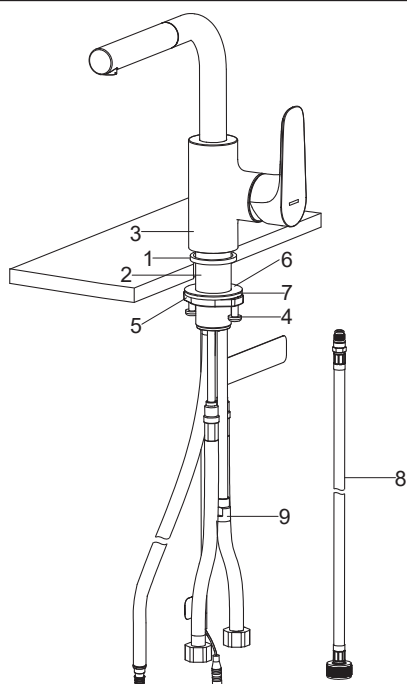
- 自动关闭：闲置4分钟后，会自动关闭出水。



手动操作

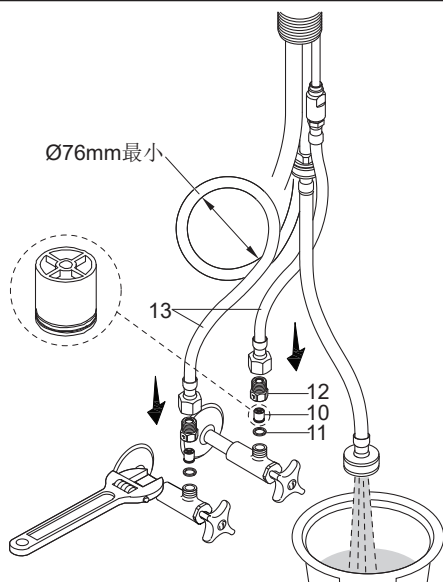
- 在断电的情况下，感应功能将失效，可以手动操作电子阀上的手动操作阀杆。
- 用硬币顺时针转动手动操作阀杆到位启动手动操作功能，逆时针转动到位关闭手动操作功能。
- 一旦打开手动操作功能，水龙头仅能通过手动控制。

安装步骤



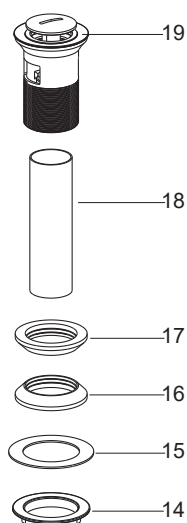
如何安装水龙头

- 将垫片(1)穿过牙管(2)嵌入到水龙头本体(3)底部的槽中。
- 将龙头组件插入脸盆安装孔中，使龙头本体底部接触台面。
- 将两个螺钉(4)旋入固定环(5)。从脸盆下方依次把垫片(6)、金属垫片(7)及装有两个螺钉的固定环装到牙管上，并用手旋紧。
- 调整水龙头的位置，使得把手朝右。锁紧两螺钉，将龙头固定在脸盆上。将出水软管(8)与铜管接头(9)连接。



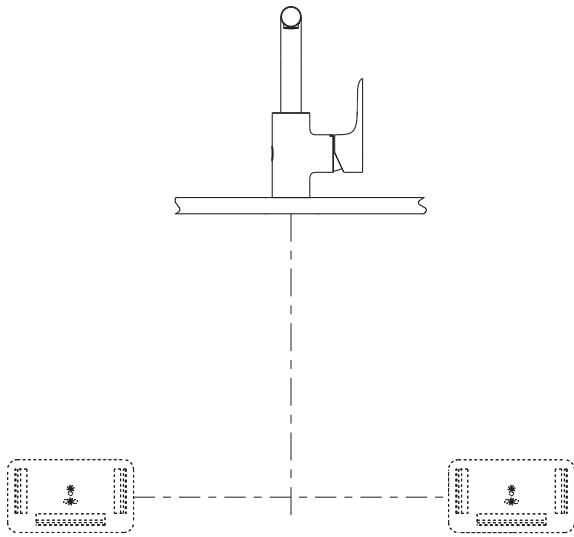
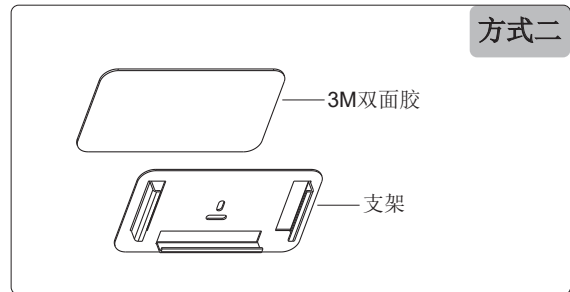
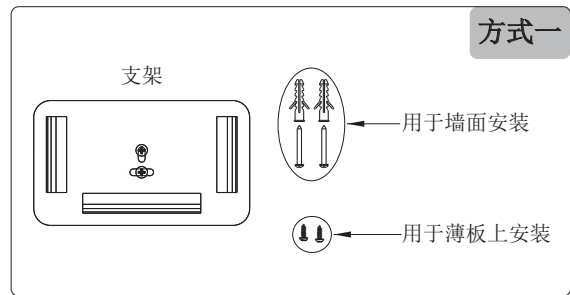
如何连接软管

- 将单向阀(10，带O型圈一端必须朝下，如图所示)、垫片(11)装入接头(12)中，再将接头拧紧到供水阀上，最后将供水软管(13)拧紧到接头上，贴有“COLD”标签的铜管所连接的软管接冷水，另一根软管连接热水。
 - 打开冷热水源及龙头把手，让水流出约一分钟左右后，关上把手及冷热水源，以清除管道中的杂质。
- 注意：**安装过程中，供水软管不得绷紧、打结或缠绕。如不得不盘绕，则保持不小于Ø76mm的内径。



如何安装排水器

- 把锁紧螺母(14)、塑料垫片(15)、橡胶垫圈(16)和尾管(18)从排水本体上依次取下。在尾管螺纹处须缠绕足以密封的密封胶带或涂合适的密封胶，装回排水本体。
 - 把排水本体从脸盆上部孔插入。再依次将橡胶垫圈(小面朝上)、塑料垫片和锁紧螺母从排水本体底部装入。将锁紧螺母锁紧。
- 注意：**在锁紧螺母拧紧后，不可调整排水本体的位置，否则会破坏油灰密封或密封胶密封。
- 注意：**如果需要，可直接在排水器盘片(19)底面沿周围涂一圈密封油灰或其他密封剂，而不使用橡胶垫片(17)。



如何安装支架

注意：①支架必须水平安装。②留出足够的维修空间。

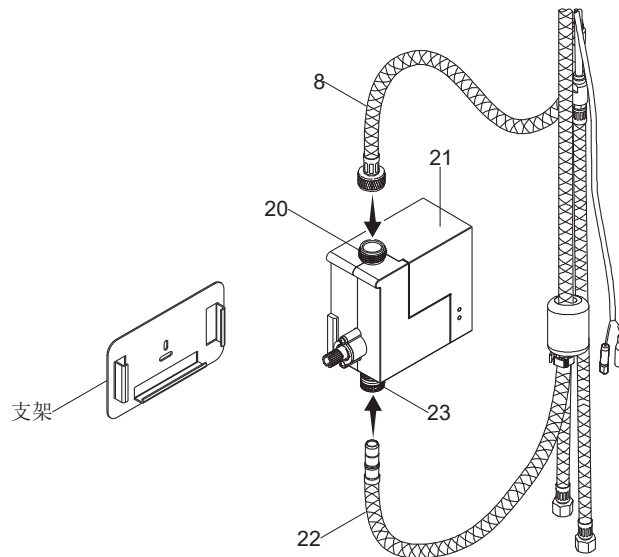
□安装方式一：锁紧螺钉以固定支架。

□安装方式二：仅适用于平整、光滑的墙面。

①清洁支架背面及墙面被贴位置，去除油污、水渍以及灰尘等；

②待表面干燥后，撕开3M双面胶一面的离型纸，贴于支架的背面，贴合后均匀按压一会；

③撕开双面胶另一面离型纸，在保证支架方向及水平位置后，将支架粘贴在墙面上，按压使其牢固贴合。



如何安装电子阀

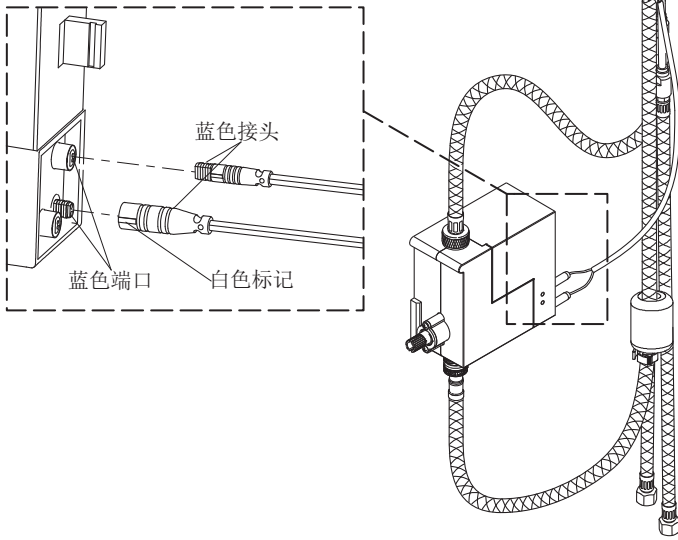
重要！限流风险。安装过程中，出水软管(8)不得绷紧或打结。

注意：用手拧紧出水软管接头。不要使用钳子或扳手。

□将出水软管拧到电子阀进水口(20)。

□将电子阀(21)套在已安装好的支架上。

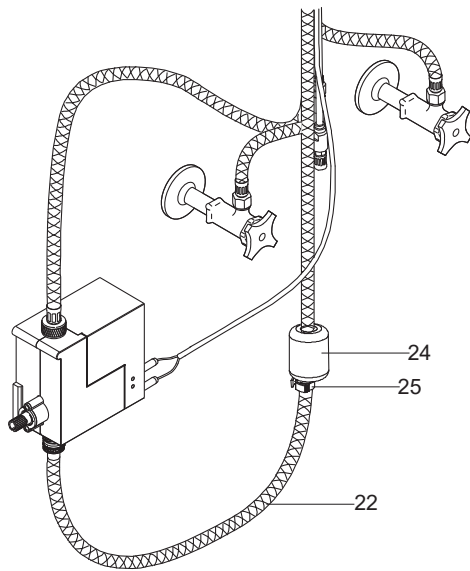
□将花洒软管(22)连接到电子阀出水口(23)。确保卡入到位，连接牢固。



如何连接电线

□ 连接蓝色接头到电子阀上的蓝色端口。接头上的白色标记须朝前方。

注意： 电子阀所有电线连接完成后，需等待15秒才能开始工作。



如何安装重锤

注意： 确保重锤(24)不干涉电子阀或电线连接。

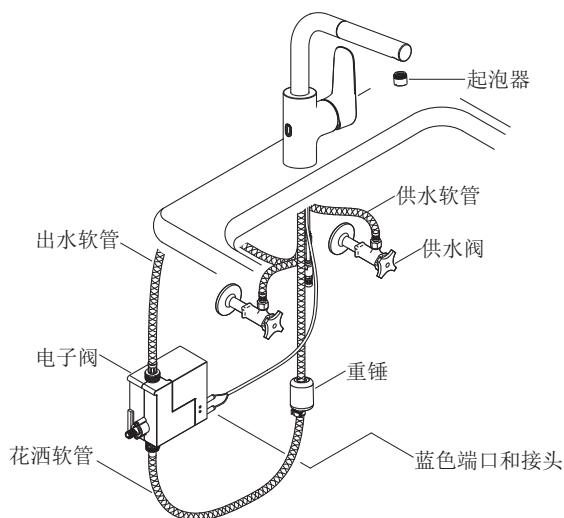
□ 松松地将重锤连接到花洒软管(22)上。

□ 将重锤调整到合适位置。

□ 用钳子把卡子(25)卡紧，将重锤固定到位。

□ 测试抽拉效果，检查是否抽拉顺畅。

安装结果检查



□ 检查并确保所有衔接处都已拧紧。

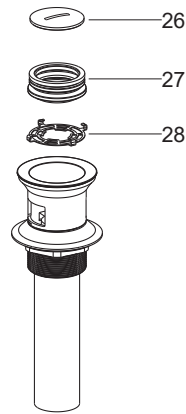
□ 确保把手在关闭位置。

□ 打开主水源和排水系统。

□ 检查并修理有漏水的接口。

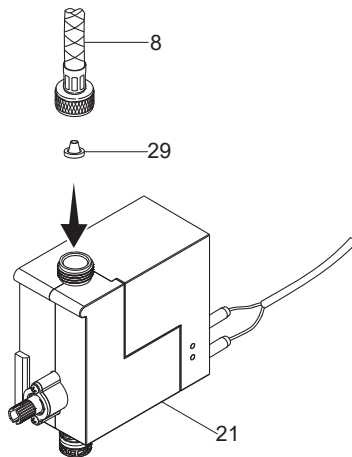
□ 将起泡器取下。打开水龙头，让水流约一分钟以清除杂质。冲洗起泡器。关闭水龙头，重新装回起泡器。

维护与保养



如何清理排水器

- 逆时针旋下止水塞(26)，取出并清理止水垫(27)和滤网垫片(28)。
- 重新装回滤网垫片、止水垫和止水塞。



如何清洗电子阀进水滤网

- 关闭龙头。
- 将出水软管(8)与电子阀(21)断开。
- 从电子阀内部拆下并清洁进水滤网(29)。
- 装回进水滤网，并重新连接出水软管。

清洗说明

适用于所有加工处理过的表面：以中性肥皂水清洗镀层表面，再以干净软布彻底擦干整个表面，许多清洁剂，比如氨水、去污粉及洁厕灵等，会对电镀表面造成伤害，切忌使用。

有磨损性的清洁用具或清洁剂也不可用于科勒牌的水龙头及其配件上。

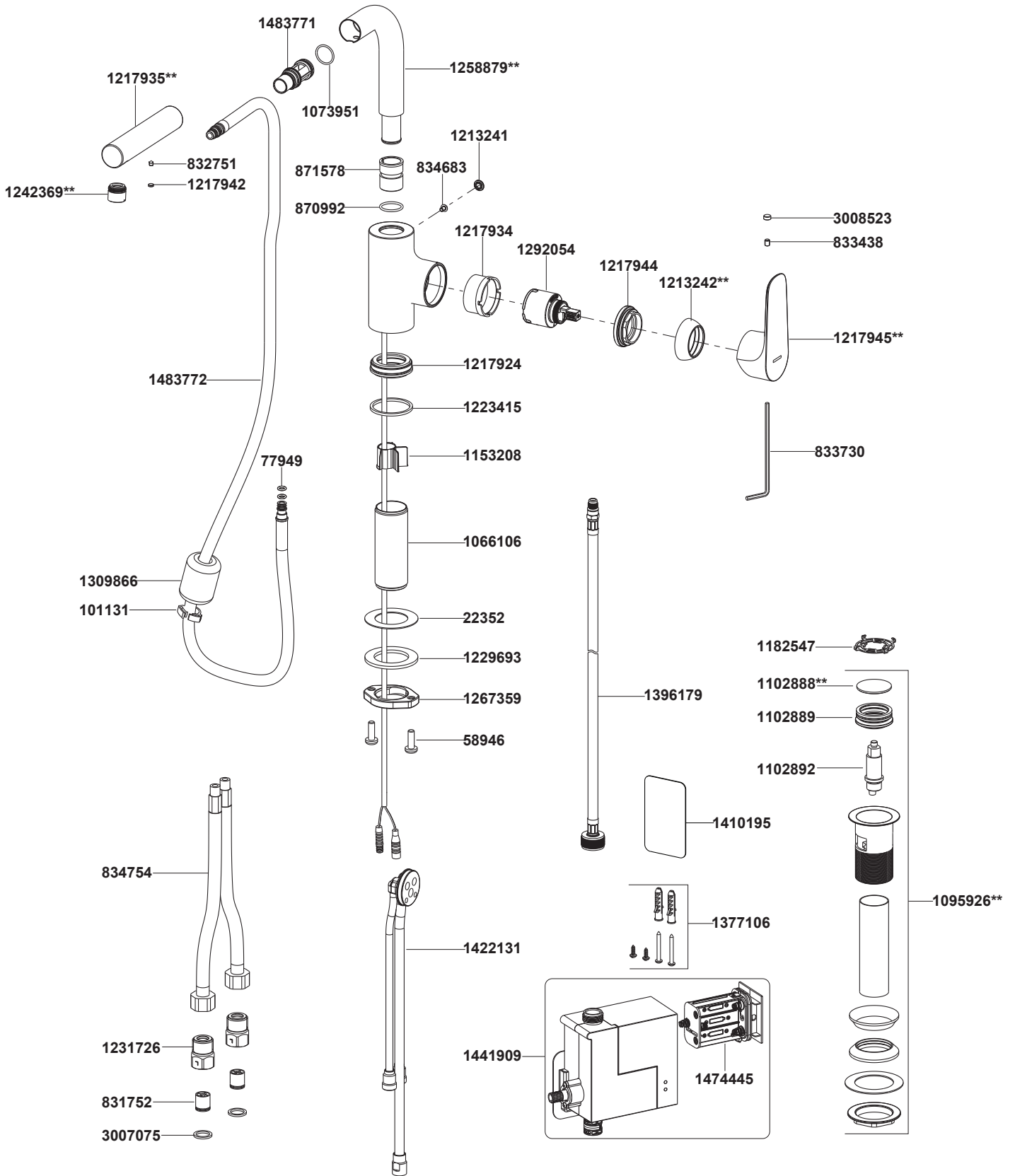
故障检修

警告：产品损坏风险。 本产品含有敏感的电子元件。在故障排除过程中，小心不要损坏销子和接头。

龙头故障检修表

故障现象	可能的原因	推荐解决方式
1. 产品不出水。	A. 供水阀关闭。 B. 龙头把手关闭。 C. 冷热供水软管缠绕打结。 D. 出水软管缠绕打结。 E. 电池电量不足或耗尽。 F. 一个或多个滤网堵塞。	A. 确认供水阀打开。 B. 转动把手至打开位置。参考“使用说明”。 C. 确认供水软管没有缠绕打结。如盘绕，则保持不小于 $\varnothing 76\text{mm}$ 的内径。 D. 确认支架是否按要求安装。 E. 检查电子阀上的红色LED指示灯是否闪烁。如出现闪烁，参考电子阀说明书1441903-2更换电池。 F. 参考“维护与保养”。
2. 低水流。	A. 供水阀部分关闭。 B. 龙头把手部分关闭。 C. 冷热供水软管缠绕打结。 D. 出水软管缠绕打结。 E. 一个或多个滤网堵塞。 F. 隔膜破裂。	A. 确认供水阀完全打开。 B. 转动把手至完全打开位置。 C. 确认供水软管没有缠绕打结。如盘绕，则保持不小于 $\varnothing 76\text{mm}$ 的内径。 D. 确认支架是否按要求安装。 E. 参考“维护与保养”。 F. 更换电子阀组件。
3. 起泡器出水不良。	A. 起泡器堵塞。	A. 取下起泡器并用水冲洗以清除杂质。
4. 水龙头不使用时滴水或滴漏。	A. 手动操作功能部分接入。	A. 用硬币顺时针转动电子阀上的阀杆直至拧不动，然后逆时针转动直至滴漏停止。

29008T-4 感应梳洗脸盆龙头



**订购时请说明颜色编号

29008T-4 Touchless Grooming Lavatory Faucet

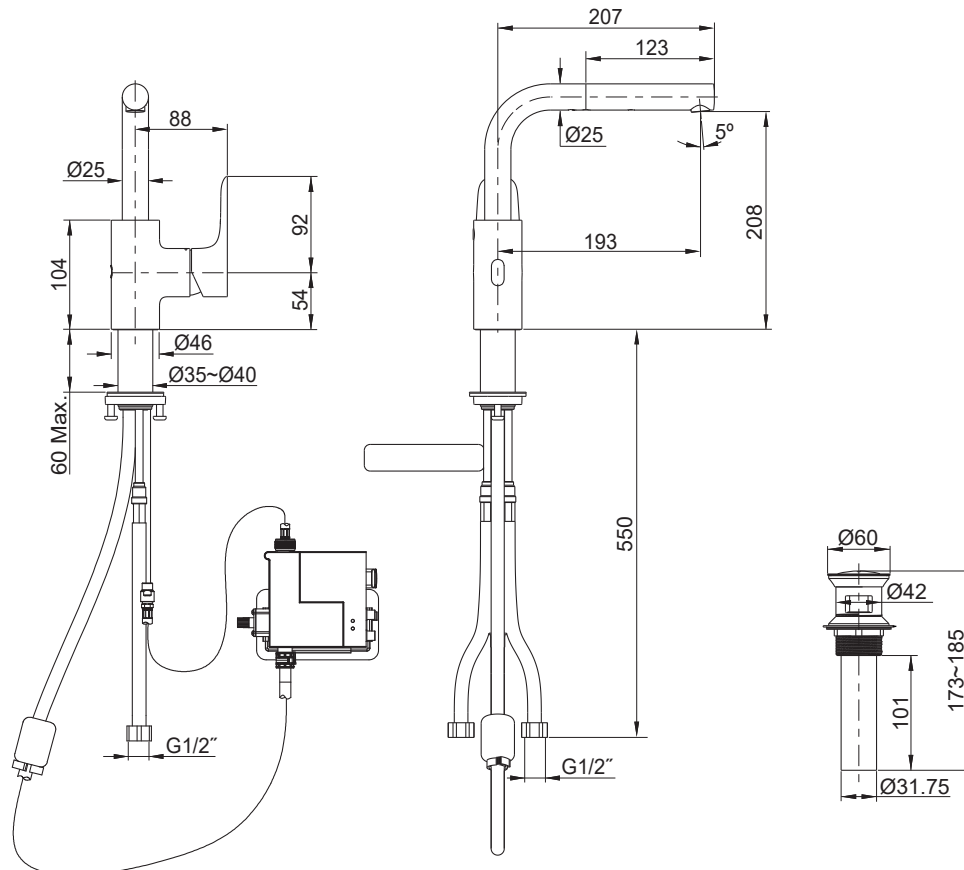
BEFORE YOU BEGIN

All information is based on the latest product information available at the time of publication. Kohler Co. reserves the right to make changes in product characteristics, packaging, or availability at any time without notice. Please leave these instructions for the consumer. They contain important information.

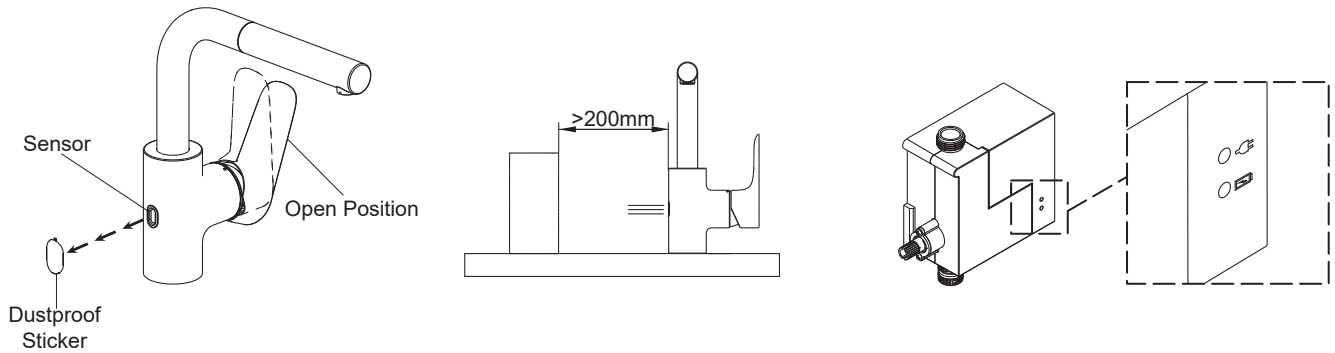
NOTE:

1. Flush the water supply pipes thoroughly to remove debris.
2. For new installations, install the faucet to lavatory before installing.
3. The highest working pressure for sprayhead is 0.5MPa(5bar). If it exceeds 0.5MPa(5bar), a pressure reducer is needed. The highest water and environment temperature is 60°C. Please keep sprayhead away from heater, or it may become damaged and cause injury to the user.
4. **Risk of injury or property damage.** Please read all instructions thoroughly before beginning installation.
5. Follow all plumbing, electrical, and building codes.
6. **Risk of fresh water contamination.** This faucet contains back-siphonage protection. Do not remove any internal components.
7. **Risk of product damage.** This product contains sensitive electronic components. Do not store open containers of chemical or cleaning products near this product.
8. When locating the valve box bracket make sure that the spray hose weight will not interfere with the valve box or wire connections.
9. Allow adequate clearance for servicing.
 - 1) Before installing the faucet make sure the cabinet area under lavatory can accommodate all of the required components.
 - 2) Consider loose fitting the connections covered in the following steps to make sure the bracket location allows enough clearance for the operational use of the spray hose and weight.

ROUGH-IN DIMENSIONS



OPERATION INSTRUCTION



Faucet Operation

- Remove the dustproof sticker from the sensor lens.
- Rotate the handle outward to the open position. If the valve is turned on, it will start water flow automatically. If the valve is not turned on, it will not start water flow, wave your hand near the sensor to turn on the valve. After 4 minutes of inactivity, the water will automatically shut OFF, wave your hand near the sensor again to turn the water ON.
- Adjust the handle to the desired water temperature.
- Wave your hand near the sensor again to turn the water OFF.

NOTE:

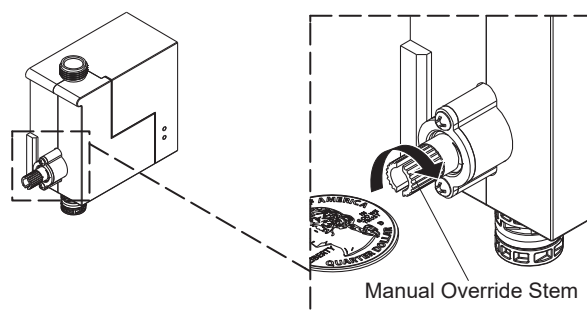
- For extended periods of nonuse, the handle should be returned to the closed (upright) position.
- Keep the sensor away from the steam.
- Do not place anything within 200mm from the sensor to avoid accidentally activating the sensor and power consumption.

Valve Box LED Indicators

- Green LED:** Indicates that the AC plug is installed and connected.
- Red flashing LED:** Indicates low batteries.

Features

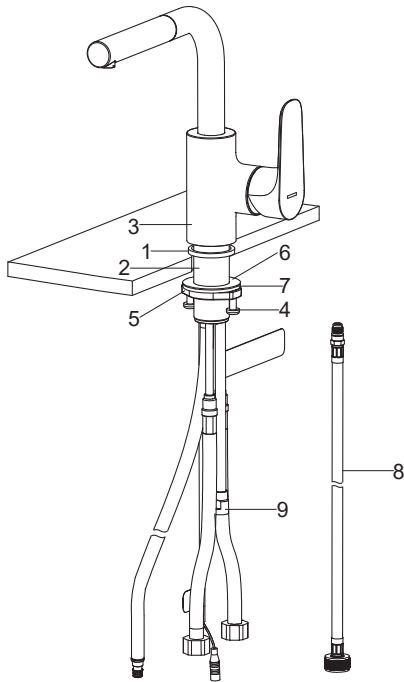
- Automatic shut-off: After 4 minutes of inactivity, the water will automatically shut OFF.



Manual Sensor Override

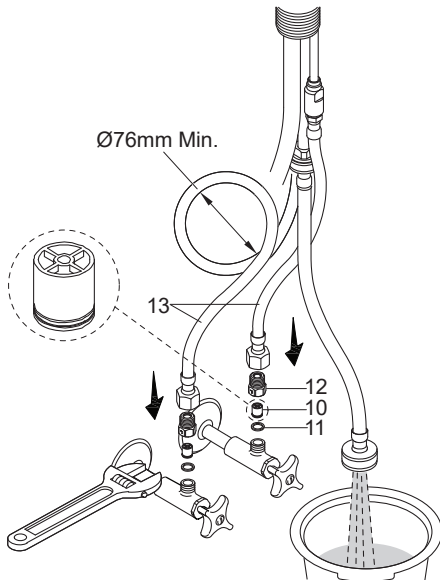
- In case of power loss, the sensor function can be bypassed by engaging the manual override feature on the valve box.
- Turn clockwise to engage the bypass and counter-clockwise to disable the bypass with coin.
- Once the manual override is engaged, the faucet can then be operated manually only.

INSTALLATION



How to Connect the Faucet

- Slide the washer(1) into the groove of the body(3) through the shank(2).
- Put the faucet assembly into the mounting hole. Ensure the bottom of the body is against the deck.
- Screw two screws(4) into the threaded ring(5). From underside of the lavatory, place the washer(6), metal washer(7) and threaded ring onto the shank, tighten the threaded ring with two screws.
- Position the faucet so that the handle is on the right side. Tighten two screws to secure faucet to the lavatory. Connect the outlet hose(8) to the joint(9).

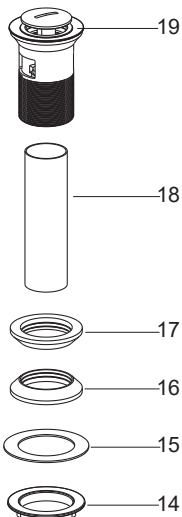


How to Connect the Hoses

- Put the check valves(10, keep the end with O-ring downward as shown), washers(11) into the nuts(12), and then tighten the nuts onto the supply stops. Tighten the supply hoses(13) onto the nuts. The hose which connects copper pipe with "COLD" label should be connected to cold water. Another hose should be connected to hot water.

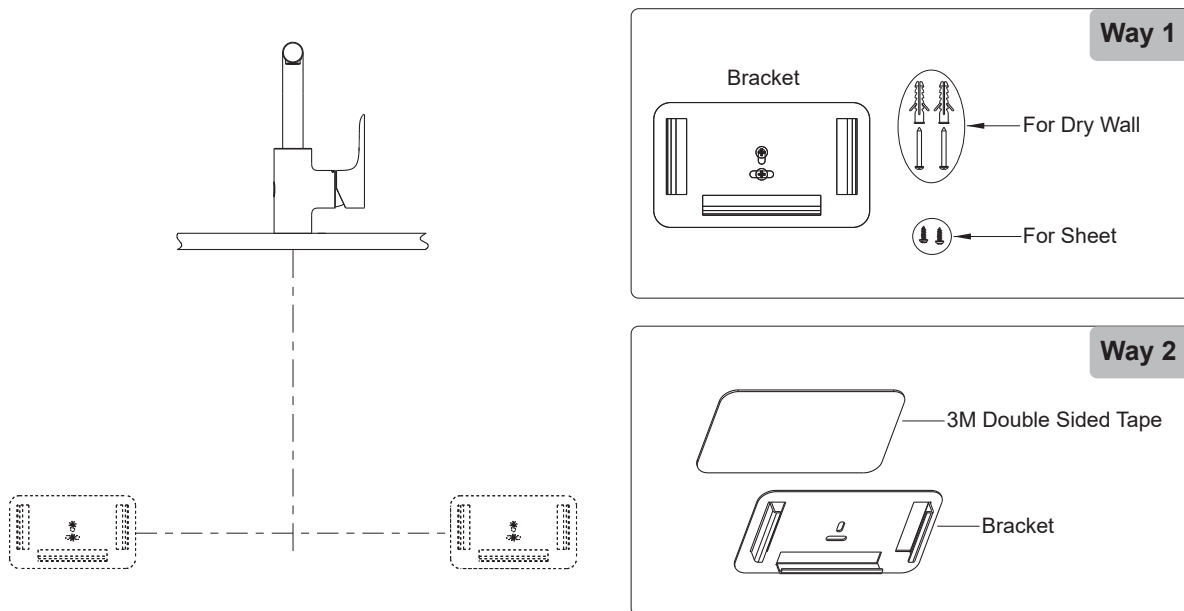
- Open hot and cold water supplies. Turn on faucet. Flush hot and cold water for about one minute to remove any debris. Shut off faucet and water supplies.

NOTE: Supply hoses must not be taut, kinked, or twisted during installation. If the supply hoses must be coiled, maintain an inside diameter of minimum Ø76mm.



How to Install the Drain

- Remove the locknut(14), plastic washer(15), rubber gasket(16) and tailpiece(18) from the drain body. Supply enough tape or sealant to tailpiece thread. Reinstall the tailpiece.
 - Insert the drain body into the lavatory. Put the rubber gasket (Tapered side up), plastic washer and locknut back to the drain body in turn. Tighten the locknut.
- NOTE:** Do not reposition the drain after the locknut is tightened, or you may break the putty or sealant seal.
- NOTE:** If needed, apply a ring of plumbers putty or other sealants around the underside of the drain flange(19), instead of using rubber washer(17).



How to Install the Bracket

NOTE: 1) The bracket must be installed horizontally. 2) Allow adequate clearance for servicing.

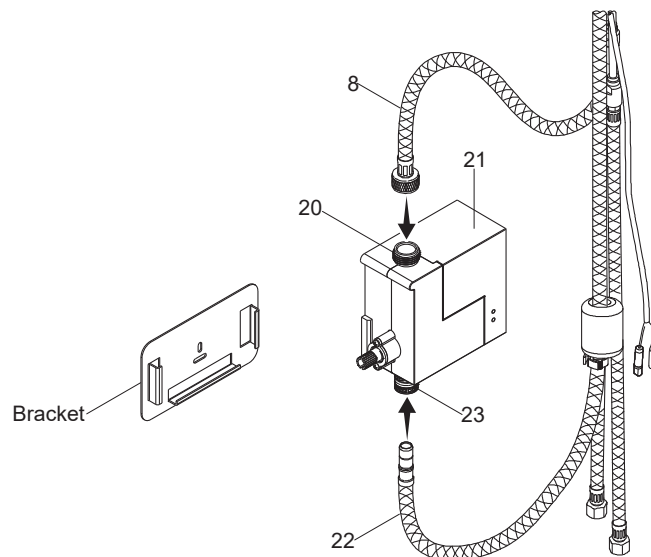
Way 1: Secure the bracket with the provided mounting screws.

Way 2: Only apply for flat and smooth walls.

1) Clean the bracket backside and installed location of the wall. Be sure to remove oil, water and dust.

2) After the surface is dry, tear off one paper of the 3M double sided tape, stick it on the bracket backside, and press it evenly for a while after bonding.

3) Tear off another paper of the 3M double sided tape. Ensure the bracket is horizontal and in the right place, and then paste it onto the wall and press it firmly.



How to Install the Valve Box

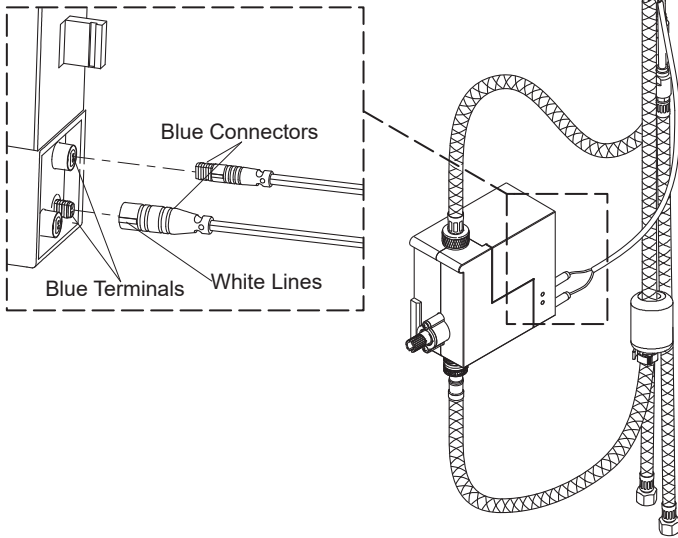
IMPORTANT! Risk of restricted waterflow. The outlet hose(8) must not be taut or kinked when installed.

NOTE: Tighten the outlet hose connector by hand. Do not use a pliers or a wrench.

Thread the outlet hose onto the valve inlet(20).

Slide the valve box(21) into the mounted bracket.

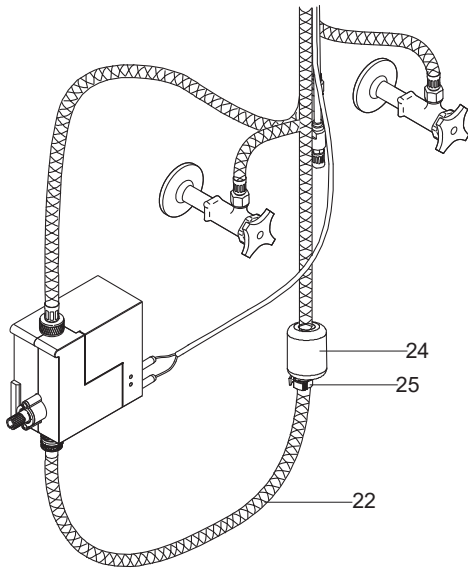
Connect the spray hose(22) to the valve box outlet(23). It will click into place when the connection is secure.



How to Connect the Wires

Connect the blue connectors to the blue terminals on the valve box. The white lines on the connectors should face the front of the valve box.

NOTE: After all wires of the valve box are connected, it will take 15 seconds to start working.



How to Install the Hose Weight

NOTE: Make sure the spray hose weight(24) will not interfere with the valve box or wire connections.

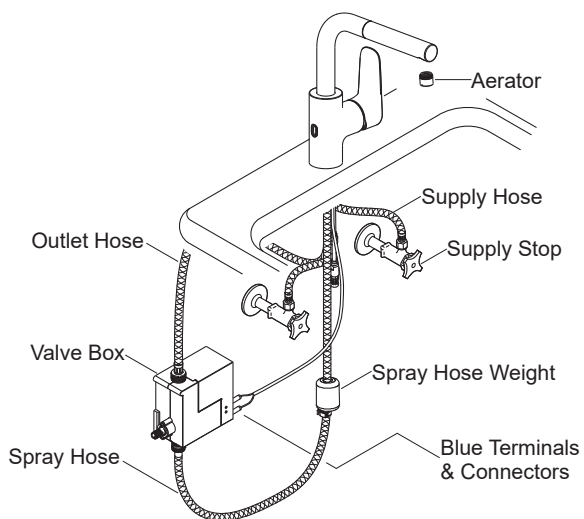
Loosely attach the weight to the spray hose(22).

Adjust the weight to the appropriate position.

Secure the spray hose weight in place by tightening the clip(25) with a pliers.

Extend and retract the spray hose to check for smooth operation.

INSTALLATION CHECKOUT



Ensure that all connections are tight.

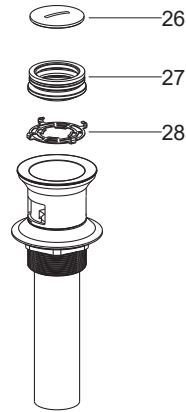
Ensure that the lever handle is in the off position.

Turn on the main water supplies and drain.

Check all connections for leaks. Repair as needed.

Remove the aerator. Turn on the faucet, run hot and cold water about one minute to remove any debris. Remove any debris from the aerator. Shut off the faucet. Reinstall the aerator.

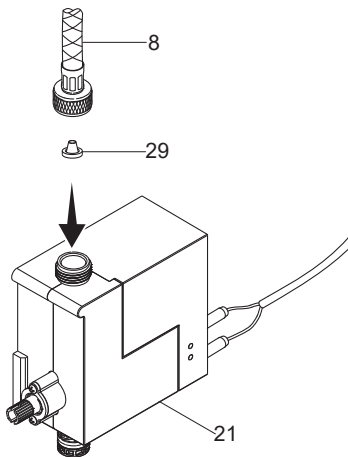
CARE AND MAINTENANCE



How to Clean the Drain

Turn counter-clockwise to unscrew the stopper (26). Remove and clear the washer(27) and filter washer(28).

Reinstall the filter washer, washer and stopper.



How to Clean the Inlet Screen of the Valve Box

Turn the handle to the closed position.

Disconnect the outlet hose(8) from the valve box(21).

Remove and clean the inlet screen(29) from inside the valve box.

Reinstall the inlet screen and reconnect the outlet hose.

CLEANING INSTRUCTIONS

All Finishes: Clean the finish with mild soap and warm water. Wipe entire surface completely dry with clean soft cloth. Many cleaners may contain chemicals, such as ammonia, chlorine, toilet cleaner etc. which could adversely affect the finish and are not recommended for cleaning.

Do not use abrasive cleaners or solvents on Kohler faucets and fittings.

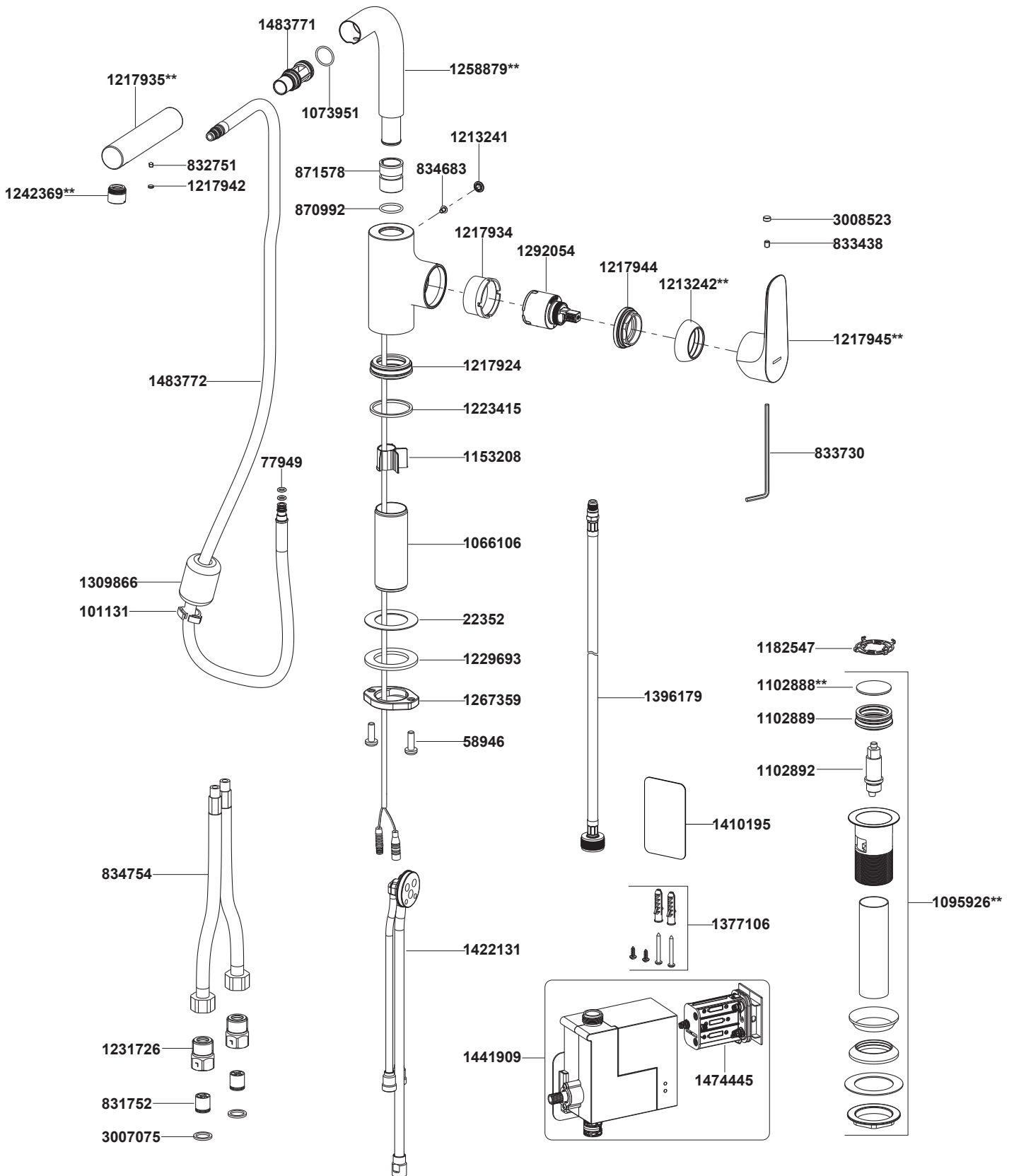
TROUBLESHOOTING

CAUTION: Risk of product damage. This product contains sensitive electronic components. Use care not to damage pins and connectors during troubleshooting.

Faucet Troubleshooting Table

Symptoms	Probable Causes	Recommended Actions
1. No water flow.	<p>A. The supply stops are closed.</p> <p>B. Handle is in the closed position.</p> <p>C. The hot and/or cold supply hose is kinked.</p> <p>D. The outlet hose is kinked.</p> <p>E. Battery power is low or exhausted.</p> <p>F. One or more screens are clogged.</p>	<p>A. Confirm the supply stops are open.</p> <p>B. Rotate the handle to the open position. Refer to the "Operation Instruction" section.</p> <p>C. Confirm the supply hoses are not kinked. If coiled, maintain an inside diameter of minimum Ø76mm.</p> <p>D. Confirm the mounting bracket is installed according to the requirements.</p> <p>E. Check for a red flashing LED on the valve box. If it flashes red, refer to valve box installation instruction 1441903-2 for batteries replacement.</p> <p>F. Refer to the "Care and maintenance" section.</p>
2. Low water flow.	<p>A. The supply stops are partially closed.</p> <p>B. Handle is partially closed.</p> <p>C. The hot and/or cold supply hose is kinked or twisted.</p> <p>D. The outlet hose is kinked.</p> <p>E. One or more screens are clogged.</p> <p>F. Cracked diaphragm.</p>	<p>A. Confirm the supply stops are fully open.</p> <p>B. Rotate the handle to the full open position.</p> <p>C. Confirm the supply hoses are not kinked or twisted. If coiled, maintain an inside diameter of minimum Ø76mm.</p> <p>D. Confirm the mounting bracket is installed according to the requirements.</p> <p>E. Refer to the "Care and maintenance" section.</p> <p>F. Replace the valve box assembly.</p>
3. Poor aerator.	<p>A. The aerator is clogged.</p>	<p>A. Remove the aerator and rinse with water to dislodge debris.</p>
4. Water drip or trickle when faucet is nonuse.	<p>A. Manual override is partially engaged.</p>	<p>A. Turn the manual override stem clockwise until it stops with coin; then turn it counter-clockwise until the water drip stops.</p>

29008T-4 Touchless Grooming Lavatory Faucet



**Color code must be specified when ordering.