

BEFORE YOU BEGIN

- Please read these instructions carefully to familiarize yourself with the required tools, materials, and installation sequences. Follow the sections that pertain to your particular installation. This will help you avoid costly mistakes. In addition to proper installation, read all operating and safety instructions.
- All information is based on the latest product information available at the time of publication. Kohler China Ltd. reserves the right to make changes in product characteristics, packaging, or availability at any time without notice.
- These instructions contain important care, cleaning, and warranty information-**please leave these instructions for the consumer.**

安装之前

- 请仔细阅读此说明书以熟悉所需要的工具、材料及安装顺序。遵循适合您的特定安装要求的各项内容，避免昂贵的损失。除了要正确安装外，还应阅读操作及安全说明。
- 所有的资料是按最新发布的产品资料编写而成。科勒中国有限公司保留任何时候无须通知即可改变产品特性、包装或产品可供类型的权利。
- 说明书包括重要的保养、清洁及担保方面的内容，请把这些资料交给用户阅读。

INSTALLATION

- Clean the bath surface to remove any soap film or oils.
- Two or three suction cups are located on the back of the pillow. Place the pillow on a appropriate position rear to the rear rim of the bath, in order to make figure of the pillow fit to the surface of the bath, and press firmly with the heel of your hand at the suction cup locations.
- Check to make sure that the pillow is attached firmly to the bath.

NOTE: For best attachment to the bath surface, moisten the back surface of the pillow at the suction cup locations. Detach the pillow by lifting it off the bath surface.

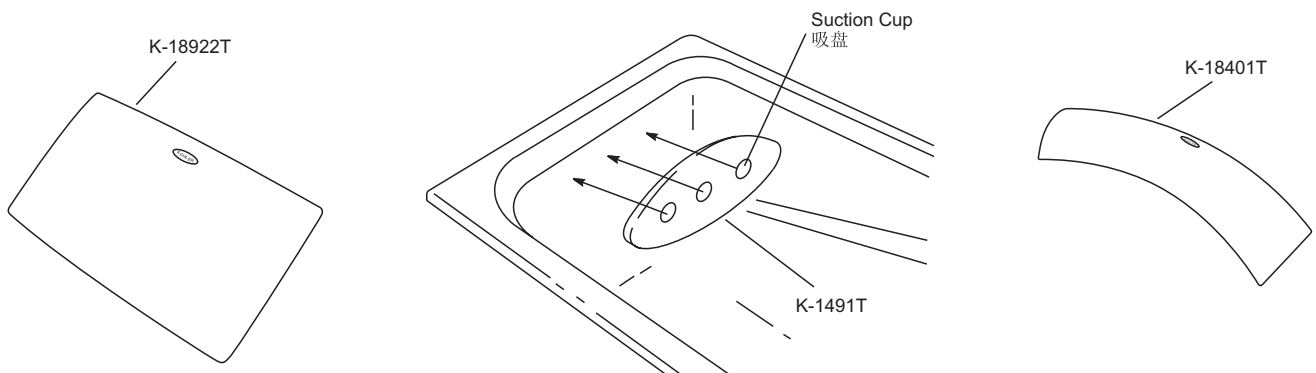
安装

- 清洁浴缸表面，去除残留清洁剂或油污。
- 浴枕背面装有二或三个吸盘。请把浴枕贴近浴缸靠背边缘合适的位置，以使浴枕背面与浴缸面相配合，用力按住吸盘位置。
- 检查浴枕是否已与浴缸完全贴合。

注意：可以将浴枕的吸盘处弄湿以使其牢固安装。举起浴枕可使其与浴缸分离。

⚠ CAUTION: Risk of product damage. Do not submerge the pillow, or use it as a seat cushion.

⚠ 警告：请勿将浴枕完全浸没于水中或作为座垫。



上海科勒有限公司
上海市浦东星火开发区民乐路368号 邮编：201419

CARE AND CLEANING OF YOUR PILLOW

Your new vinyl pillow can be routinely cleaned with mild soap and water. Remove stubborn stains with cleaning products recommended for vinyl.

Periodically use a vinyl treatment product to rejuvenate the appearance of the vinyl skin.

清洁与保养

可以用水和中性肥皂清洗您的浴枕。请使用用于清除聚乙烯产品的清洁剂清除顽固污渍。

请定期清洁您的浴枕表面。

LIMITED ONE-YEAR WARRANTY

Plumbing Fixtures and Fittings Limited One-year Warranty

Kohler plumbing fixtures and fittings are warranted to be free of manufacturing defects.

This product is warranted for one year from date of purchase. Kohler China will be responsible for any problems caused by manufacturing defects provided with the invoice. Kohler China will, at its election, repair, replace or make appropriate adjustment where Kohler China inspection discloses any such defects occurring in normal usage within one year after purchase.

Implied warranties including that of merchantability and fitness for a particular purpose are expressly limited in duration to the duration of this warranty, Kohler China disclaims any liability for special, incidental or consequential damages. Damages to the product caused by misuse, abuse and installation that is not in accordance with the owner's manual are not covered by this warranty.

To obtain quick warranty service, please contact your dealer, or write to Kohler China. (Original sales receipt must be provided as the proof of purchase.)

Kohler China Investment Company Ltd.
Central Customer Service Center
19/F, Shanghai Square, 138 Huai Hai
Road, Luwan District, Shanghai, PRC
Zip Code: 200021

This is our exclusive written warranty.

一年有限担保

陶瓷及浴缸产品及配件担保——一年有限担保

科勒公司担保其陶瓷及浴缸产品及配件在制造工艺上无瑕疵。

本产品自购买之日起即获得本公司一年的质量保证。在质保期内，凭购货发票，科勒公司将免费承担由制造质量引起的任何问题。经核查后，科勒中国有限公司有权决定是修理、更换、还是作适当的调整。

这里所指的担保，包括产品，都已明确地限制在该担保期之内。科勒中国有限公司对其后出现的损坏不负有任何责任。担保也不包括外观损伤、使用不当以及未按说明书安装的损失。

为获得快捷的担保服务，请联系您的销售商；您也可写信给科勒中国有限公司(请出示销售发票原件作为购货凭证)：

科勒(中国)投资有限公司
中央客户服务中心
上海市卢湾区淮海中路138号
上海广场19楼
邮编：200021

这是我们全部的书面担保。