

Installation Instructions

Sliding Shower Door

Record your model number:
Noter le numéro de modèle:
Anoté su número de modelo: _____

Français, page 27
Español, página 54

KOHLER[®]

Thank You for Choosing KOHLER

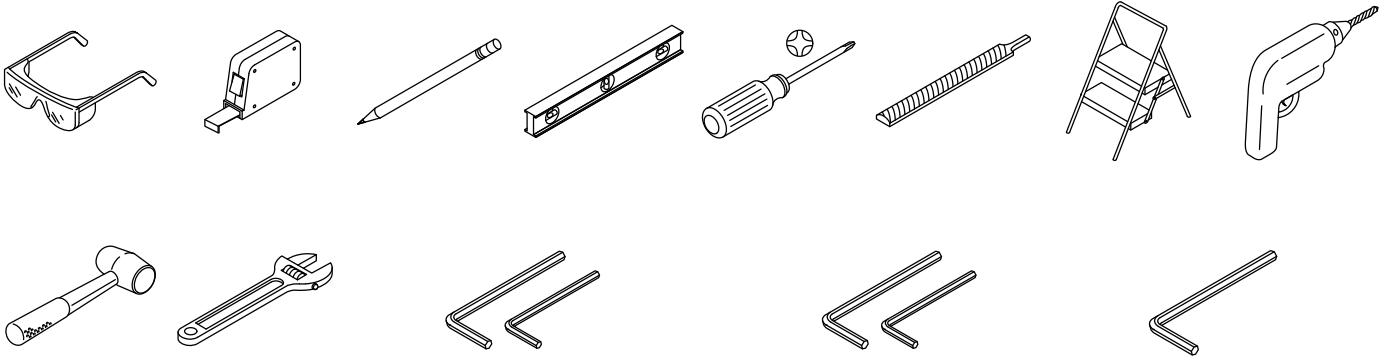
Need help? Contact our Customer Care Center.

- USA/Canada: 1-800-4KOHLER (1-800-456-4537) Mexico: 001-800-456-4537
- Service parts: kohler.com/serviceparts
- Care and cleaning: kohler.com/clean
- Patents: kohlercompany.com/patents

Warranty

This product is covered under the KOHLER® One-Year Limited Warranty, found at kohler.com/warranty. For a hardcopy of warranty terms, contact the Customer Care Center.

Tools and Materials



2.5 mm, 3 mm Hex Wrenches 4 mm, and 5 mm Hex Wrenches 6 mm Hex Wrench









1/4" Drill Bit, 1/4" Masonry Bit for Tile Painters Tape 100% Silicone Sealant

Plus:

- Metal-Cutting Chop Saw or Cut-Off Saw
- 3" or Longer #2 Philips Driver Bit (recommended)
- Drop Cloth

Before You Begin

-  **WARNING: Risk of serious injury.** Damage before installation can result in glass shattering. Inspect the glass and all parts for damage before installation.
-  **WARNING: Risk of serious injury.** Improper installation can result in glass shattering. Follow all installation instructions.
-  **WARNING: Risk of serious injury.** Do not cut tempered glass. Tempered glass will shatter if cut.
-  **WARNING: Risk of serious injury.** Shower door and side panels can shatter. Regularly inspect the glass and all parts for damage, missing, or loose parts.
-  **WARNING: Risk of serious injury.** Always wear safety glasses while cutting and drilling.
-  **CAUTION: Risk of personal injury.** Tempered glass should not contact hard surfaces or it may shatter. Do not touch the edge of the tempered glass panel with tools or any hard objects.

IMPORTANT! Leave this manual for the end user. Read all instructions before installing or using this product.

IMPORTANT! This door is designed to accommodate walls that are less than 3/8" (10 mm) out of plumb. Verify that the area that the door will be attached to is within 3/8" (10 mm) of plumb. The door may not function properly if the wall is more than 3/8" (10 mm) out of plumb.

IMPORTANT! Do not install this door on a cast iron shower base.

IMPORTANT! Do not remove the corner protectors from the door panels until the door panels are installed.

Cover the drain with tape to prevent the loss of small parts.

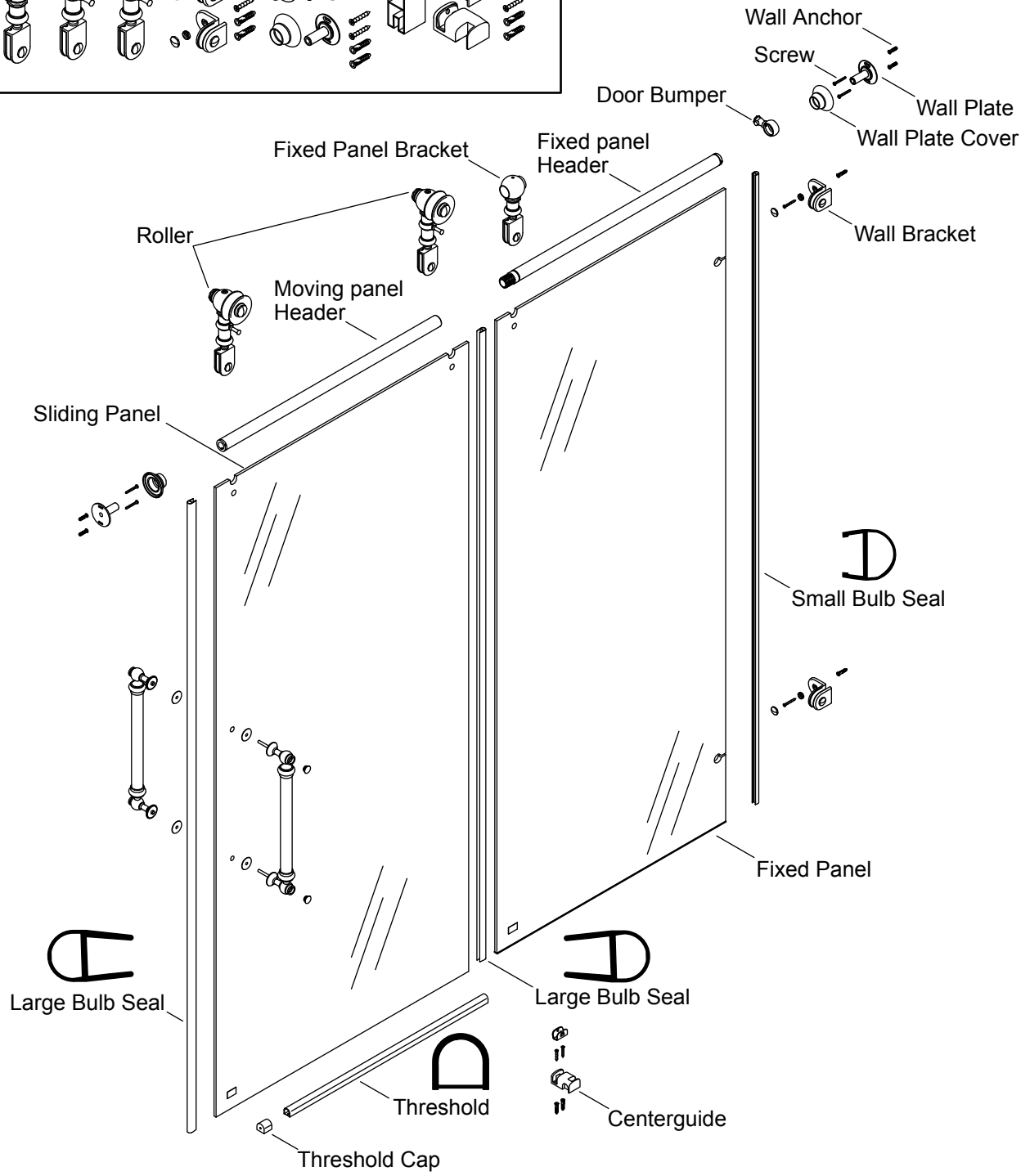
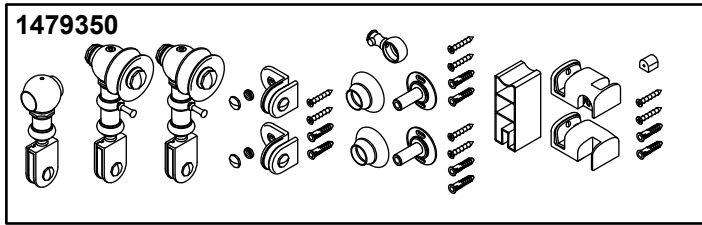
Identify all parts before installation. Inspect for damage.

Follow the silicone sealant manufacturer's instructions for application and curing time.

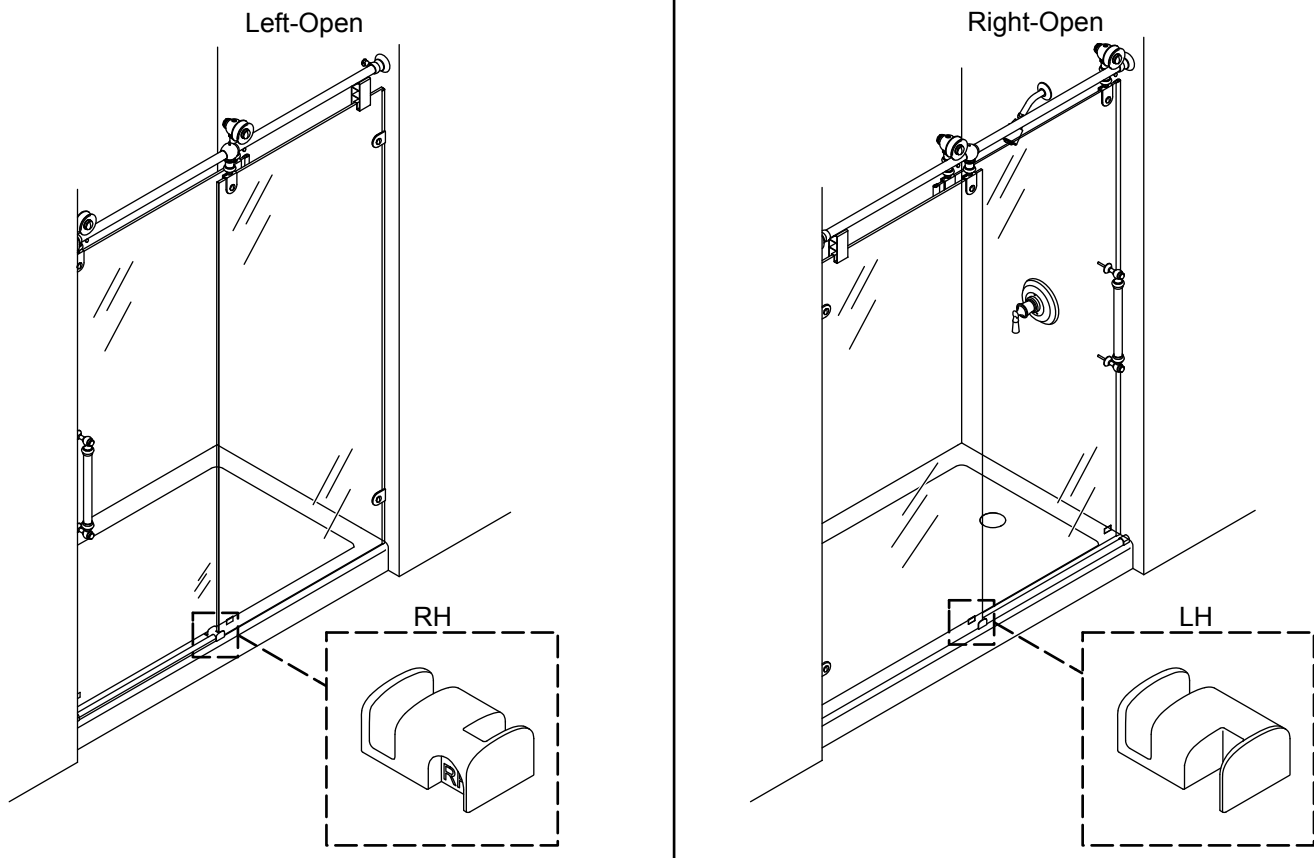
Two people should perform this installation.

The fixed panel should be installed on the opposite side of the showerhead.

Parts Identification



1. Determine Door Configuration



IMPORTANT! Left-Open configuration is shown in installation steps unless otherwise indicated.

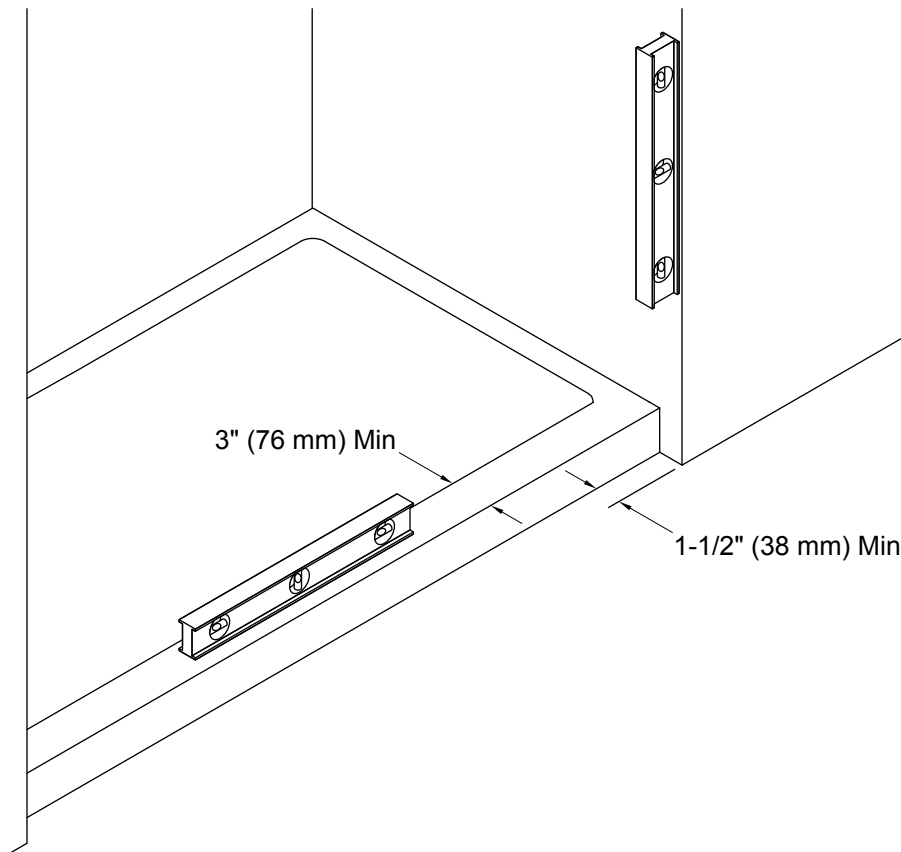
NOTE: The centerguide with "RH" is installed on the Left-Open configuration. The centerguide with "LH" is installed on the Right-Open configuration.

Determine whether the door will be installed in a Right-Open or Left-Open configuration.

It is recommended that the sliding panel be installed on the same side of the shower as the showerhead.

Select the centerguide that corresponds to the desired door configuration.

2. Confirm Ledge and Wall Compatibility



IMPORTANT! For proper door alignment and operation, confirm that the shower base and walls meet the following requirements. Do not install the door if these requirements are not met.

IMPORTANT! Do not install this door on a cast iron shower base.

IMPORTANT! Do not install this door if the receptor ledge and shower wall intersection is rounded.

Door 701724-10L is designed to be installed into shower openings 58-1/4" (1480 mm) to 59-1/4" (1505 mm) wide.

Door 701725-10L is designed to be installed into shower openings 57-1/4" (1454 mm) to 58-1/4" (1480 mm) wide.

Door 701726-10L is designed to be installed into shower openings 46-1/4" (1175 mm) to 47-1/4" (1200 mm) wide.

Door 701727-10L is designed to be installed into shower openings 45-1/4" (1149 mm) to 46-1/4" (1175 mm) wide.

The vertical opening should be a minimum of 83" (2108 mm).

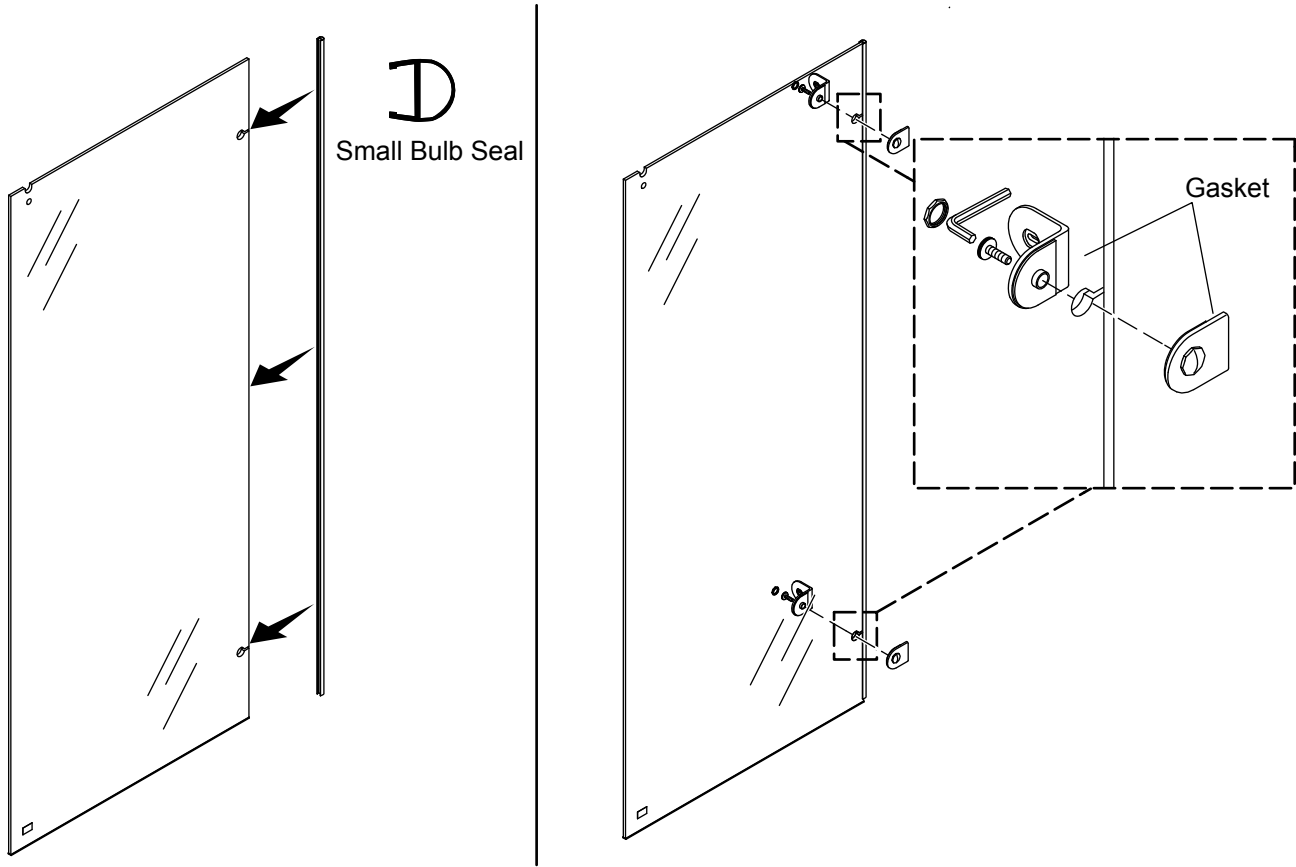
There must be at least 3" (76 mm) of flat surface on the shower base.

NOTE: If the shower base ledge has less than 3-1/2" (89 mm) of flat surface for installation, then there must be at least 1-1/2" (38 mm) of flat wall surface extending from the front edge of the shower ledge.

Walls must be within 3/8" (10 mm) of plumb.

The shower base must be level between the walls.

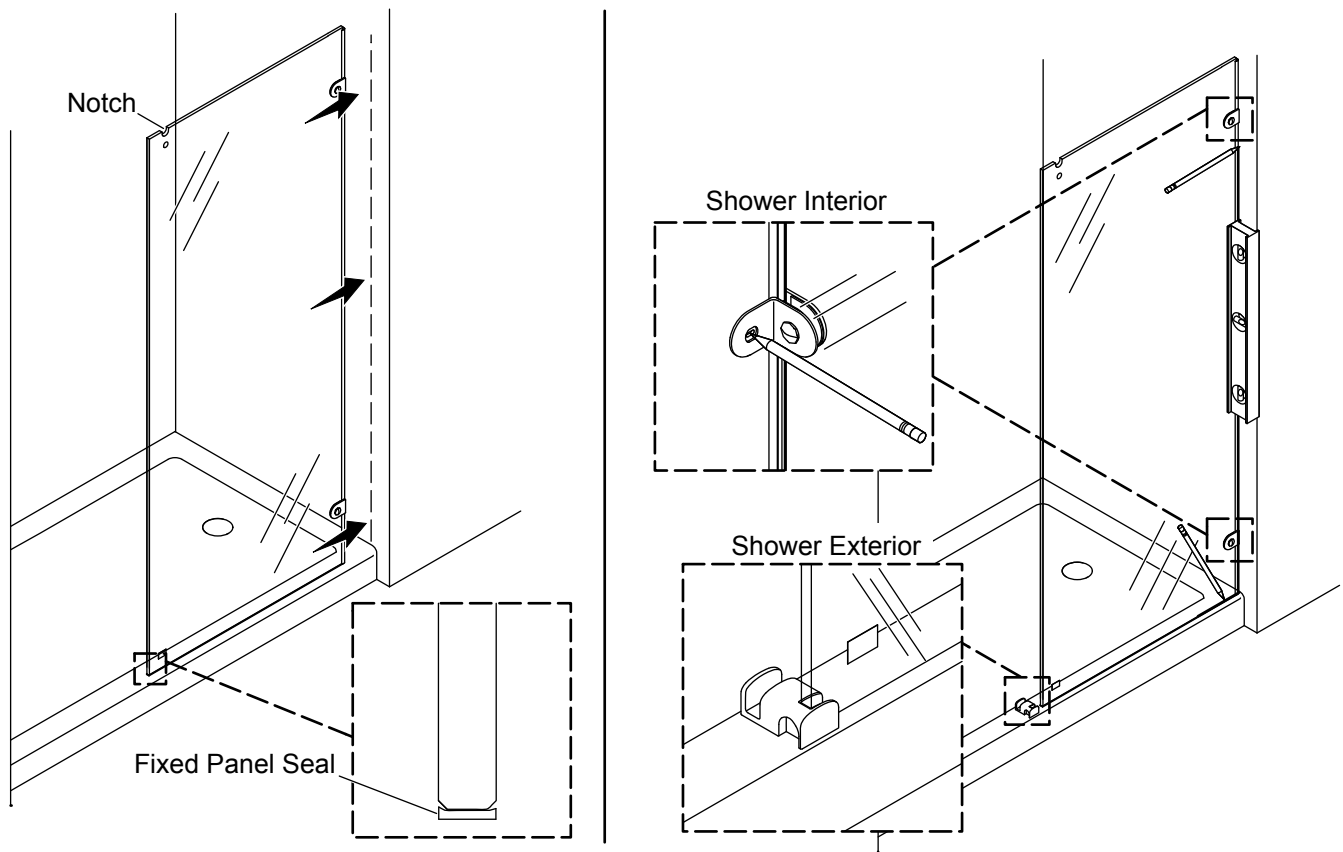
3. Assemble the Fixed Panel



⚠ CAUTION: Risk of personal injury. Tempered glass should not contact hard surfaces or it may shatter. Do not touch the edge of the tempered glass panel with tools or any hard objects.

- Remove the corner protectors from the top of the fixed panel.
- Install the small bulb seal to the edge of the panel with the slots.
- Remove the decorative cap from each wall bracket.
- Using a 4 mm hex wrench, disassemble the wall brackets.
- Verify that the plastic gaskets are installed on the wall brackets before securing to the fixed panel.
- Using a 4 mm hex wrench, loosely install the wall brackets onto the fixed panel.

4. Mark the Wall



IMPORTANT! Verify that the preinstalled fixed panel seal is on the bottom of the fixed panel.

NOTE: The notch is located toward the top and the center of the shower.

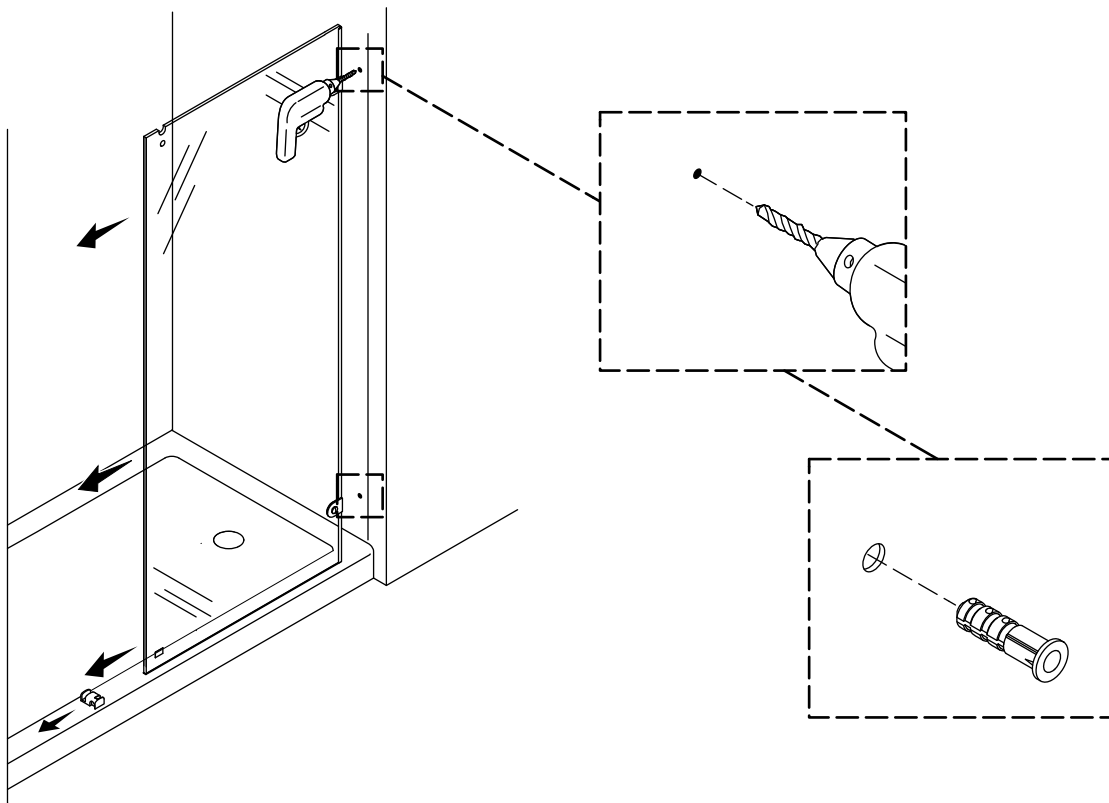
NOTE: Perform the following procedure with two people.

- Set the fixed panel on the shower ledge.
- Select the correct centerguide according to the "Determine the Door Configuration" section and slide the centerguide onto the bottom corner of the fixed panel.
- Move the centerguide and fixed panel so that the centerguide is even with the outside edge of the shower base ledge.

NOTE: If the shower walls do not extend beyond the shower base by a minimum of 1-1/2" (38 mm), then the shower base must have a minimum 3-1/2" (89 mm) of flat surface. Align the centerguide 1" (25 mm) from the outside edge of the shower base in this scenario.

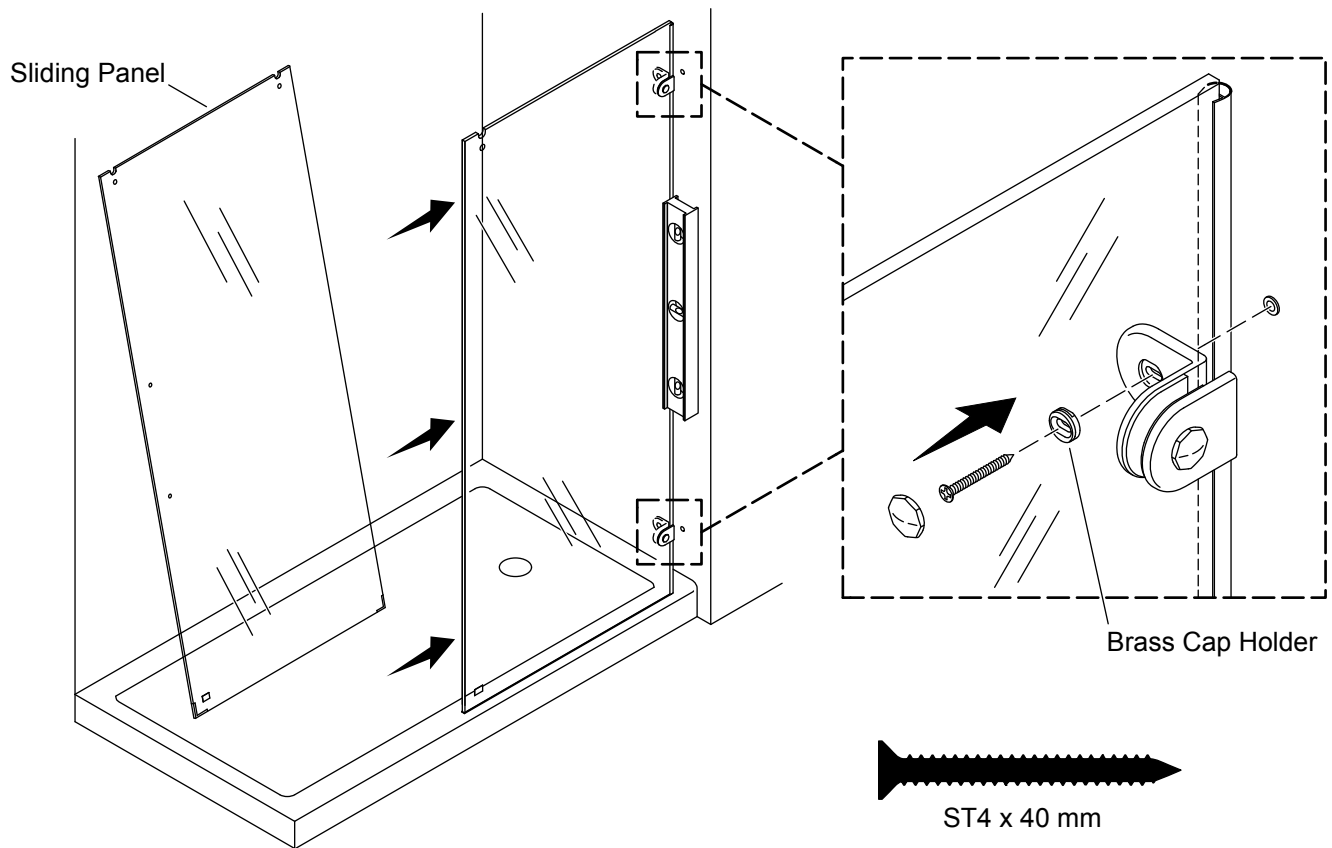
- Slide the panel tightly to the wall, and verify that the fixed panel brackets press tight against the wall.
- Fully tighten the fixed panel brackets on the fixed panel.
- Using a level, plumb the fixed panel.
- Mark the location of the fixed panel on the shower ledge and the wall.
- Mark the location of the holes in the fixed panel brackets.

5. Drill the Wall Bracket Holes



- Remove the centerguide and fixed panel from the shower base.
- Drill a 1/4" hole at each marked location. Use a masonry bit for tile walls.
- Install the provided wall anchors. If necessary, gently tap the anchors until they are flush against the wall.

6. Install the Fixed Panel



NOTE: The glass holes in the fixed panel allow 3/8" (10 mm) range of movement for the fixed panel brackets.

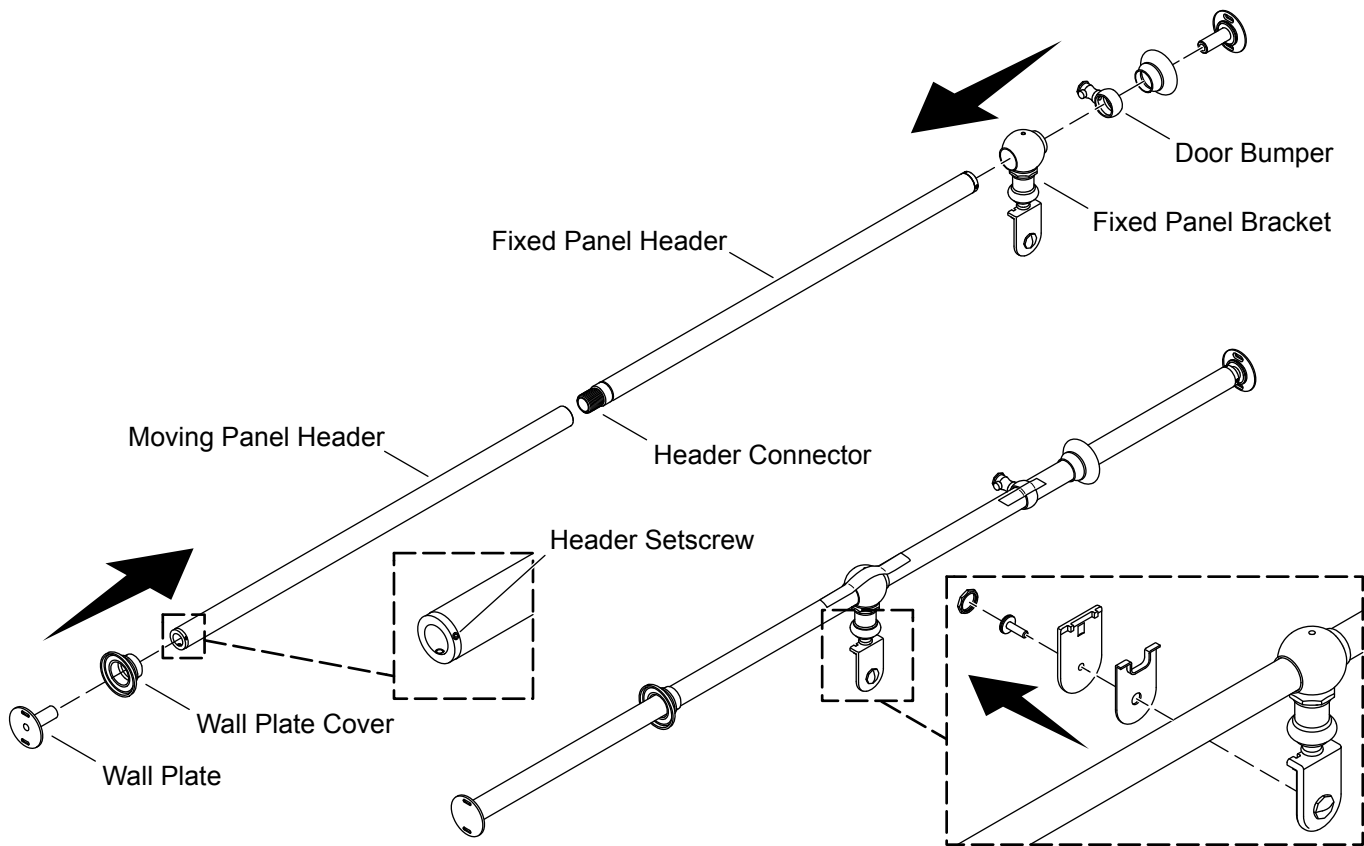
- With help, move the sliding panel completely into the shower area.
- Orient the sliding panel with the holes on top and the handle holes facing the showerhead.

NOTE: Do not remove the corner protectors from the sliding panel.

NOTE: The sliding panel will remain in the shower area until installation in the "Install the Sliding Panel" section.

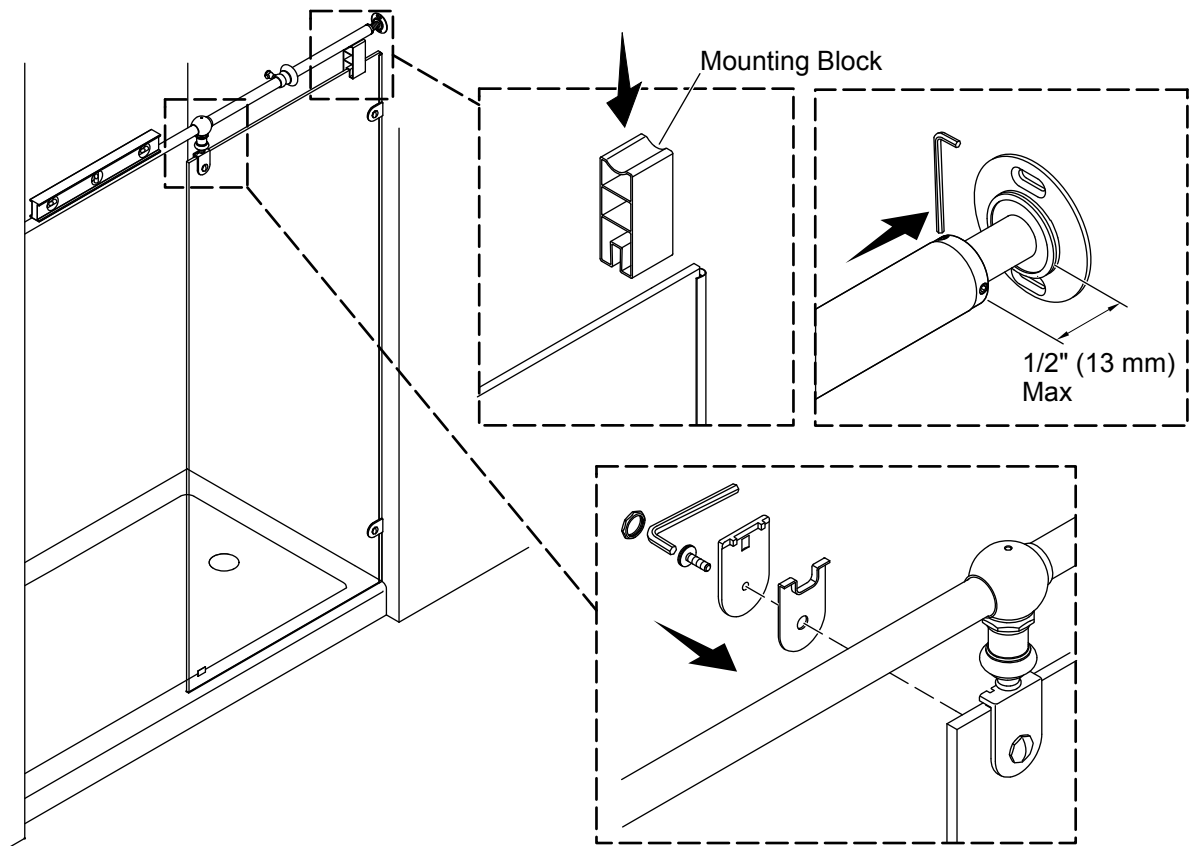
- Set the fixed panel on the shower base ledge at the previously marked position.
- Verify that the bottom of the fixed panel rests fully on the shower base.
- If needed, loosen the wall brackets and push the wall brackets tightly to the wall. Retighten the wall brackets.
- Place a brass cap holder over an ST4 x 40 mm (1-1/2") screw so that the screwhead is recessed into the brass cap holder and secure each wall bracket to the wall.
- Align the bottom of the fixed panel with the previously marked line and verify that the fixed panel is plumb. If the fixed panel is not plumb, loosen the wall brackets and adjust as needed.
- Install a decorative cap onto the brass cap holder.
- Slide the bulb seal to the wall if there is a gap between the fixed panel and the wall.

7. Assemble the Header



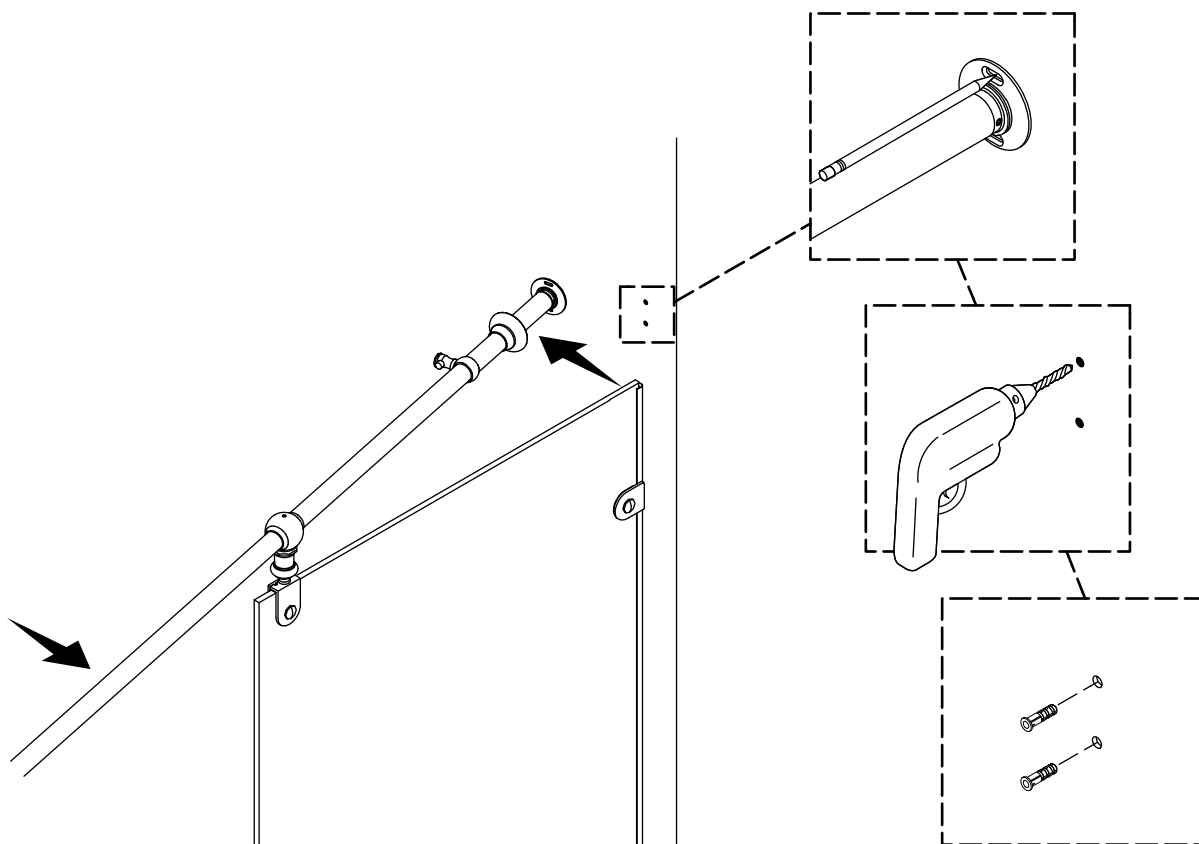
- For identification during installation, place a piece of painters tape on the fixed panel header. The fixed panel header will be located above the fixed panel.
- Thread the moving panel header and the fixed panel header together.
- Remove the decorative cap from the fixed panel bracket.
- Using a 4 mm hex wrench, disassemble the fixed panel bracket.
- Slide the fixed-panel bracket onto the header and position where the two tubes connect. Tape the fixed-panel bracket in place.
- Slide on the door bumper with the rubber stop pointing toward the center of the header and tape in place.
- Install a wall plate cover and wall plate on each end of the header. Verify that the wall plates are flush with the ends of the header.
- Using a 2.5 mm hex wrench, tighten one of the three header setscrews on each end of the header to keep the wall plates from falling out of the header.

8. Install the Header



- Position the mounting block on top of the fixed panel near the wall.
- Lift the header assembly and align the fixed panel bracket with the hole and notch in the fixed panel.
- Remove the tape from the fixed panel bracket.
- Using a 4 mm hex wrench, connect the fixed panel bracket to the fixed panel. Verify that the header is centered between the walls.
- Using a 2.5 mm hex wrench, loosen the header setscrews and slide the wall plates outward so that they touch the walls.
- Verify that the header is centered between the walls and that the wall plates do not extend more than 1/2" from each side of the header.
- Rotate the wall plates so that the holes are on the top and bottom.
- Tighten one of the header setscrews on each end to keep the wall plates in place.
- Align the header so it is parallel horizontally and vertically with the fixed panel along the full length of the header.
- Level the header.

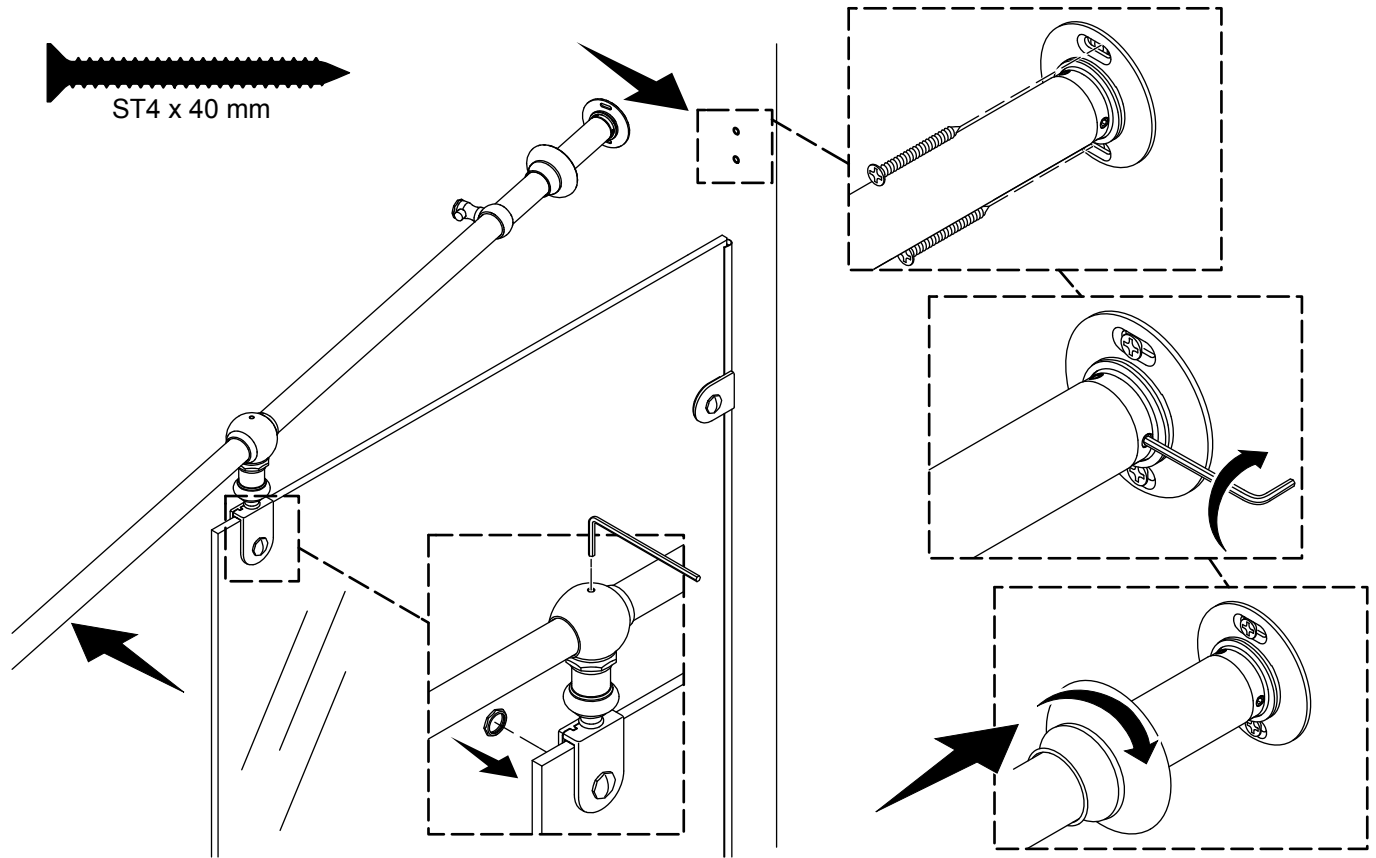
9. Mark the Wall Plate Holes



IMPORTANT! The holes in the wall plates should be positioned at the top and bottom of the wall plates when installed.

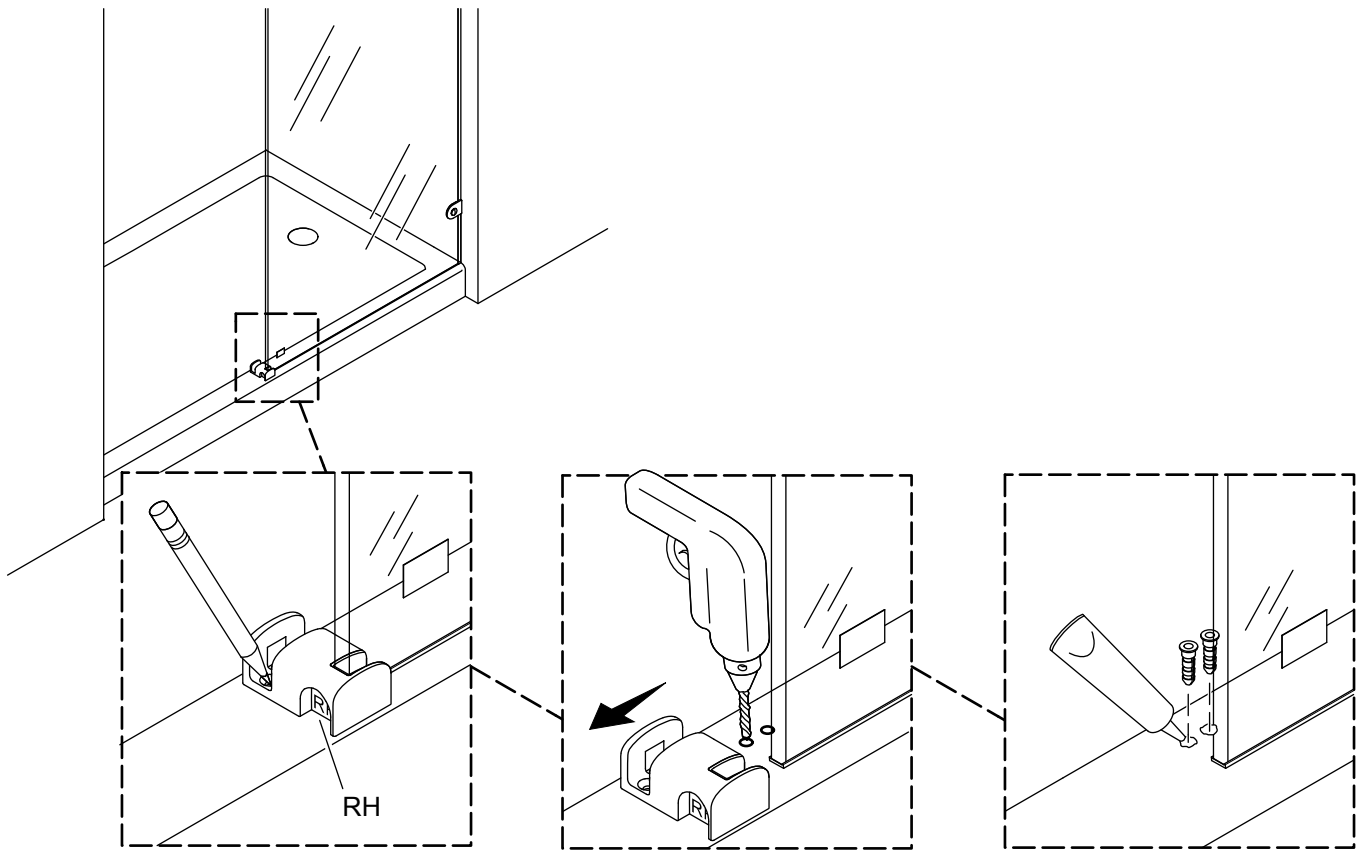
- Verify that the bottom of the fixed panel is positioned at the previously marked line on the shower base.
- Mark the location of the wall plate holes on the shower walls.
- Rotate the header slightly so it does not impede with drilling the wall plate holes.
- Remove the mounting block from the fixed panel.
- Drill a 1/4" hole at each marked location. Use a masonry bit for tile walls.
- Install the provided wall anchors. If necessary, gently tap the anchors until they are flush against the wall.

10. Secure the Header



- Pivot the header so that the wall plates line up with the drilled holes.
- Verify that the wall plates are tight against the wall.
- Using a long screwdriver, secure each wall plate to the wall with two ST4 x 40 mm (1-1/2") screws.
- Center the header between the wall plates and tighten all the header setscrews with a 2.5 mm hex wrench.
- Thread a wall plate cover onto each wall plate.
- Using a 2.5 mm hex wrench, tighten the top setscrew of the fixed panel bracket.
- Place a decorative cap over the fixed panel bracket screw.

11. Prepare the Centerguide

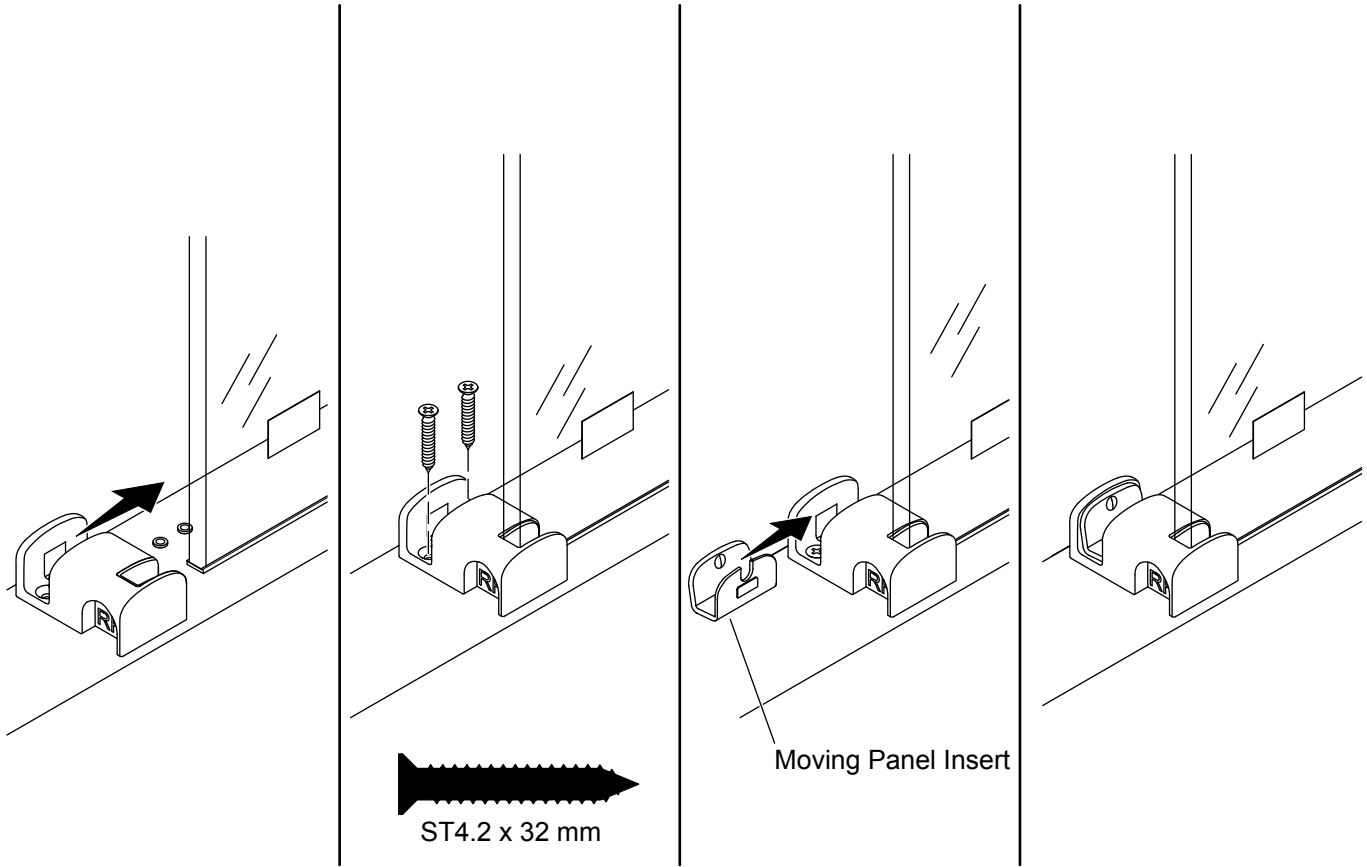


NOTE: There are different centerguides for left-open and right-open installations. Install the centerguide selected in the “Determine Door Configuration” section.

NOTE: Left-open configuration is shown.

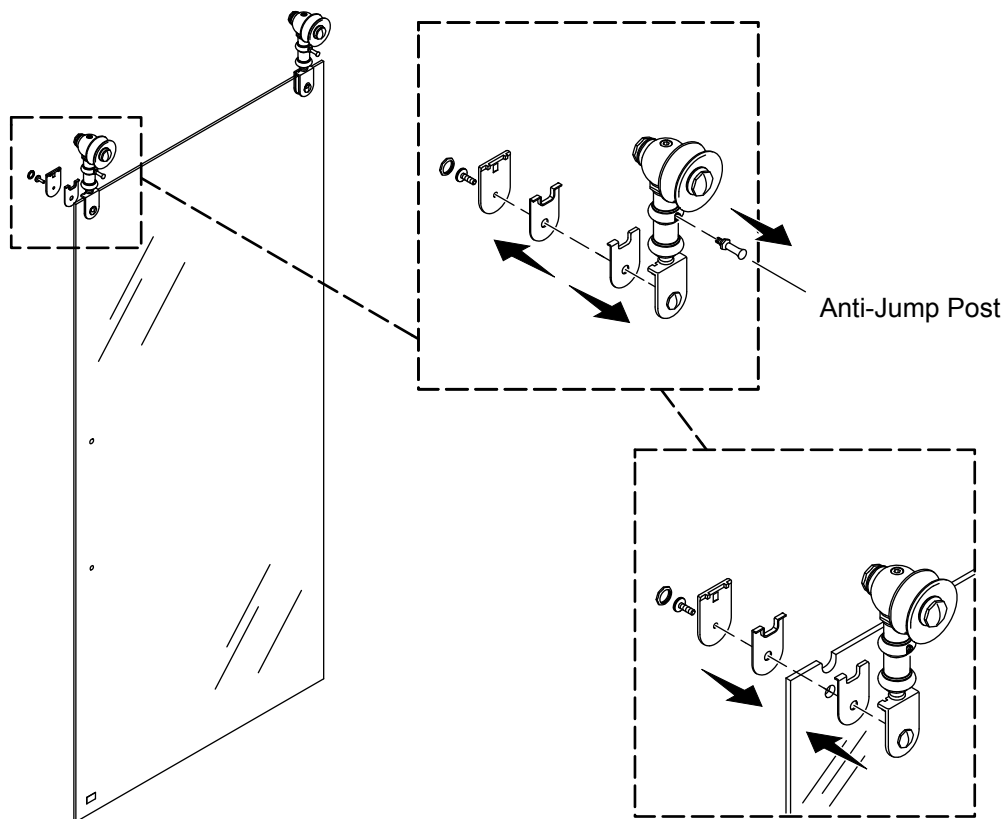
- Slide the centerguide onto the bottom corner of the fixed panel.
- With a pencil, mark the two centerguide holes on the shower base.
- Remove the centerguide.
- Drill a 1/4" hole at each marked location. Use a masonry bit for tile shower bases.
- Apply 100% silicone sealant into the holes and install the provided anchors. If necessary, gently tap the anchors until they are flush. Apply more 100% silicone sealant onto the anchors.

12. Install the Centerguide



- Slide the centerguide onto the bottom corner of the fixed panel.
- Secure the centerguide to the shower base ledge using two ST4.2 x 32 mm (1-1/4") screws.
- Press the button on the interior of the centerguide channel and slide the moving panel insert into the centerguide channel until the moving panel insert clicks into place.

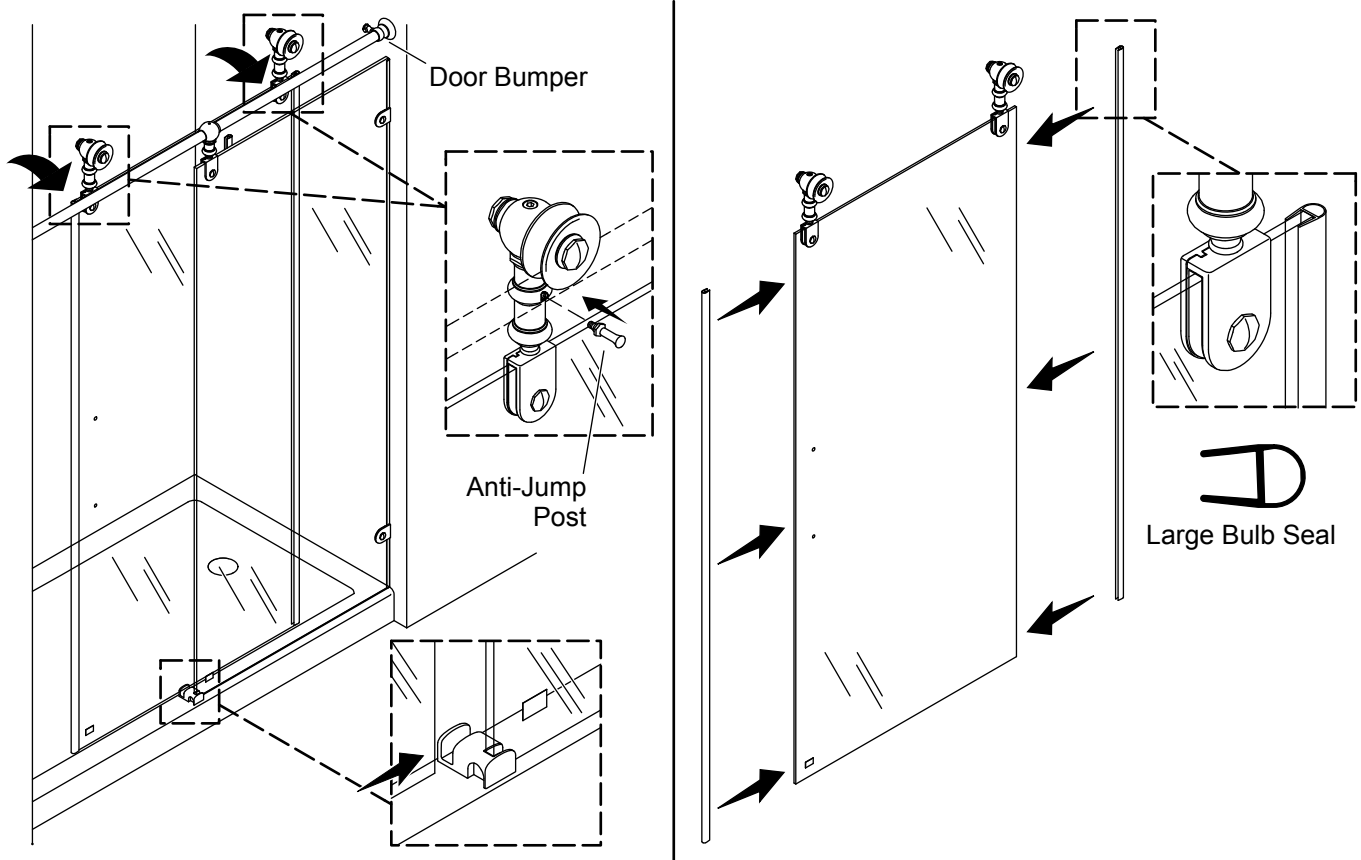
13. Assemble the Sliding Panel



NOTE: The rollers should be installed on the panel so that they face the outside of the shower and the handle holes point toward the showerhead.

- Remove the corner protectors from the top two corners of the panel.
- Remove the decorative cap from each roller.
- Using a 4 mm hex wrench, disassemble the rollers.
- Unthread the anti-jump posts and set aside. If necessary, use an adjustable wrench.
- Secure the rollers onto the sliding panel.

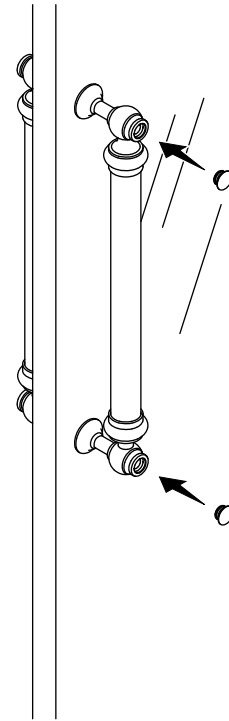
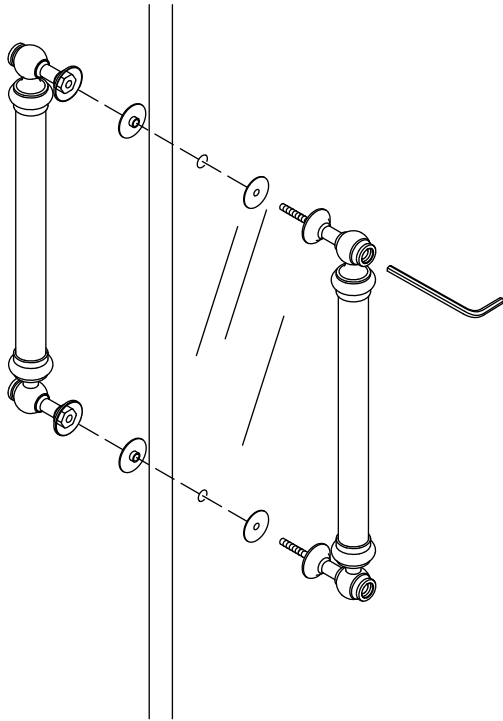
14. Install the Sliding Panel



IMPORTANT! Failure to reinstall the anti-jump posts may result in the sliding panel falling off the track.

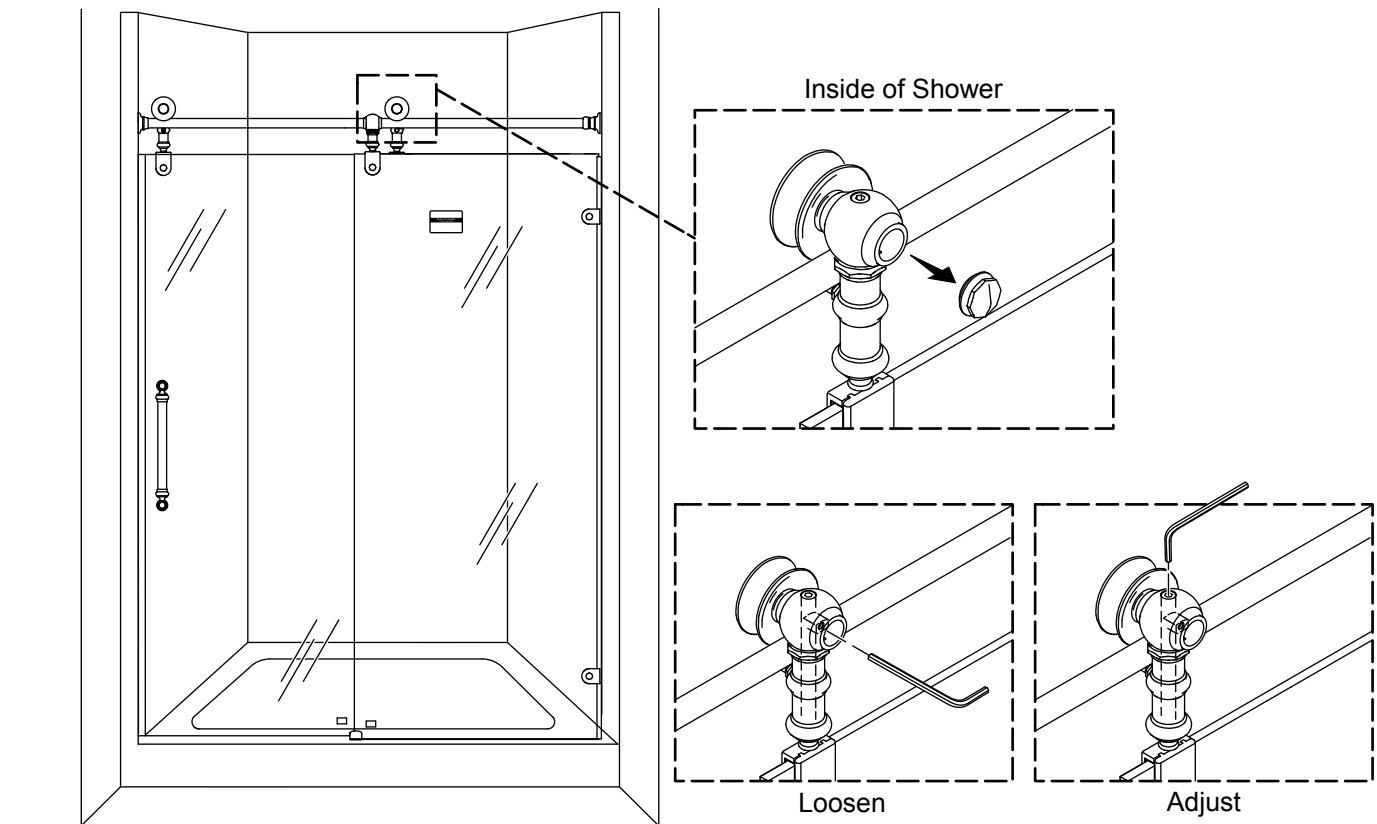
- Slide the door bumper to the shower wall.
- With help, lift the panel and set the rollers onto the header. Verify that the bottom of the panel is in the centerguide channel.
- Thread the anti-jump posts into the roller brackets. If necessary, use an adjustable wrench.
- Remove the corner protectors from the bottom of the sliding panel.
- Verify that the bulb seals are the same length. Install the large bulb seals on both vertical edges of the sliding panel.

15. Install the Handles



- Slide bolts through the holes in the outside handle (with the "KOHLER" logo).
- Place a bushing over each bolt.
- Slide the bolts in the outside handle through the holes in the panel, keeping the "KOHLER" logo on the bottom.
- Place a bushing over the bolts on the inside of the panel.
- Position the inside handle over the bolts and tighten both bolts with a 5 mm hex wrench.
- Press covers over the outside handle holes.

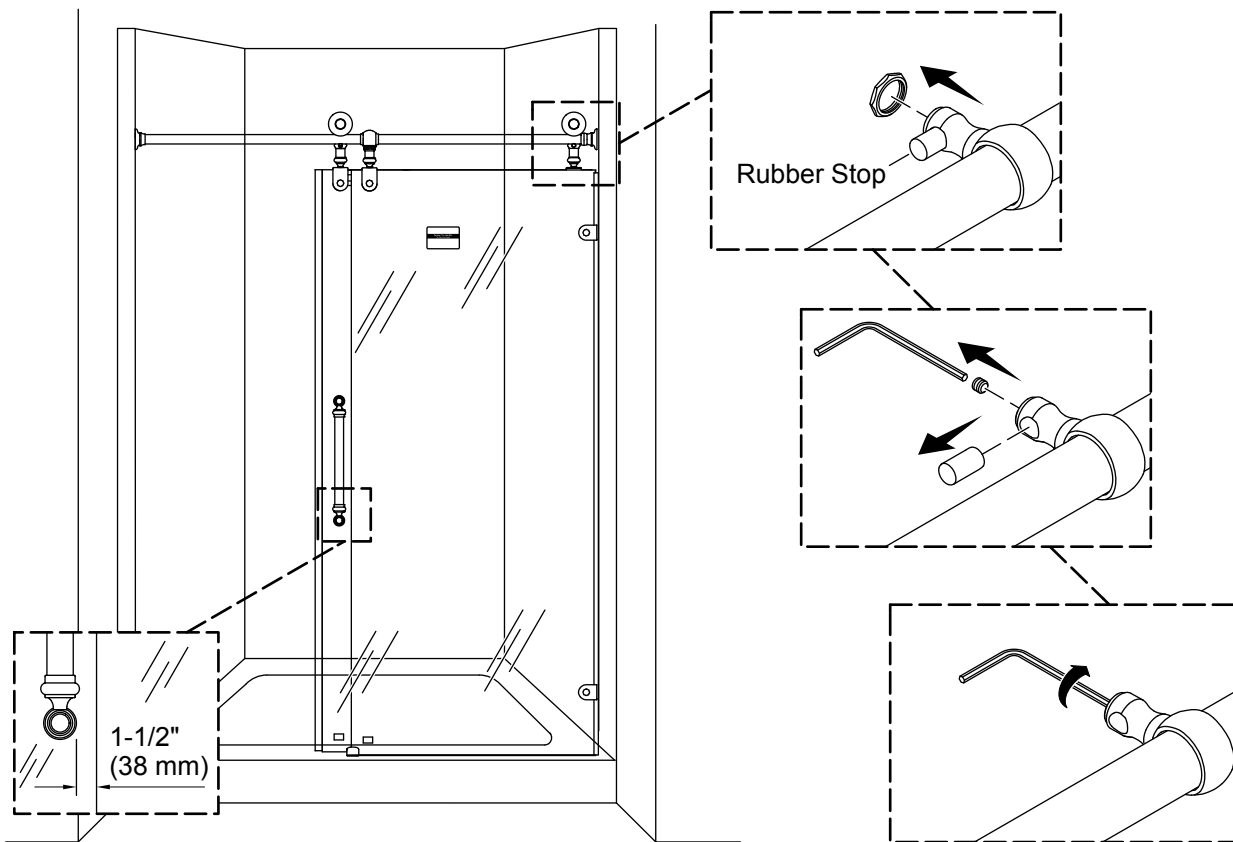
16. Adjust the Sliding Panel



⚠ CAUTION: Risk of product damage. Loosening the top screw beyond where the O-ring becomes visible can cause the glass panel to drop and break.

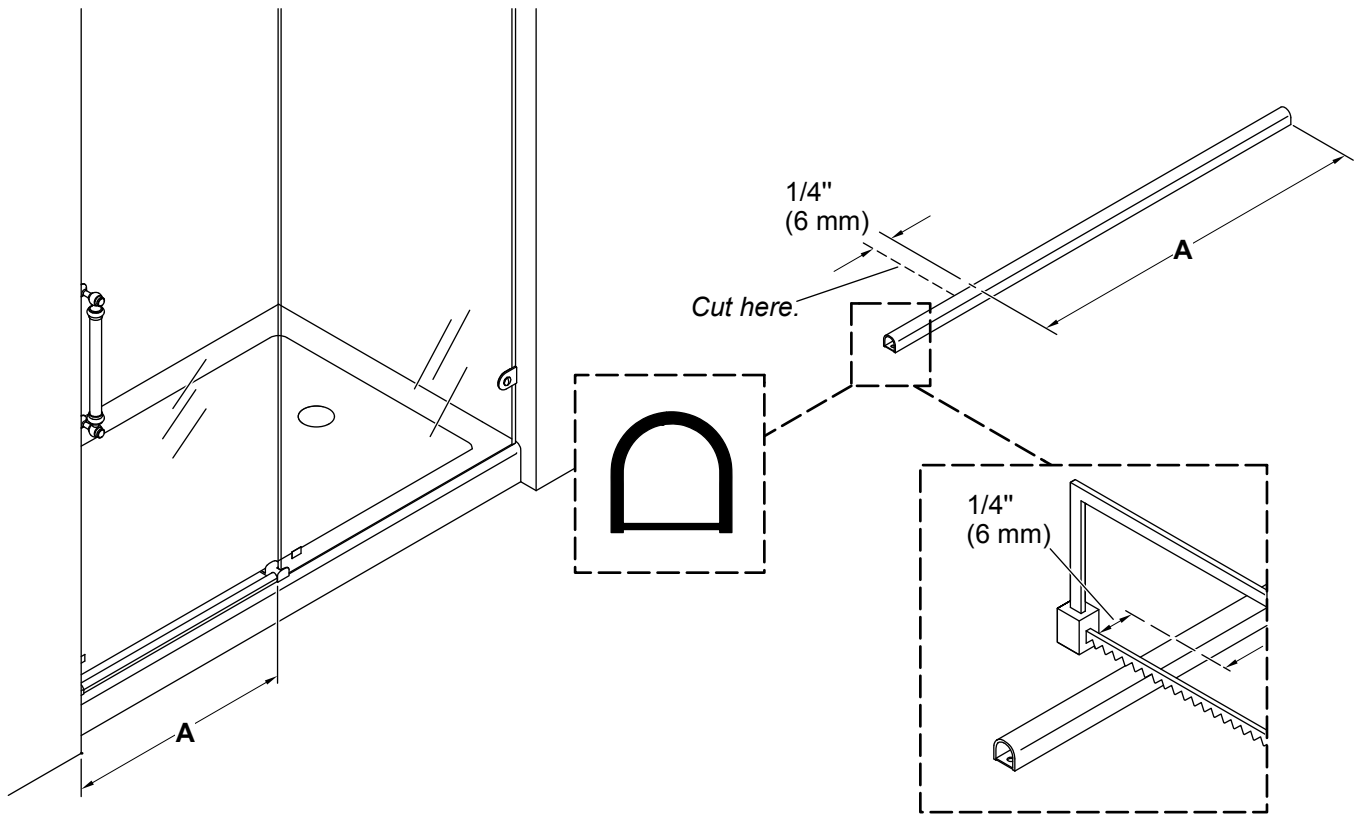
- Move the sliding panel against the wall. If the seal fully contacts the shower wall, proceed to the "Secure the Door Bumper" section.
- Unthread the screw cover to gain access to the lock screw.
- Using a 2.5 mm hex wrench, loosen the lock screw.
- Using a 6 mm hex wrench, rotate the screw on the top of the roller bracket to adjust the panel up or down.
- Adjust the sliding panel so that the seal contacts the shower wall evenly along its entire length.
- When the sliding panel is plumb with the shower wall, tighten the lock screw and reinstall the screw cover.

17. Secure the Door Bumper



- Open the sliding panel so the handle is 1-1/2" (38 mm) away from the edge of the fixed panel. Verify that the handle is not touching the edge of the fixed panel.
- From inside the shower, slide the door bumper so that the rubber stop contacts the roller bracket and tape into place.
- Remove the decorative cover on the door bumper.
- Using a 3 mm hex wrench, remove the setscrew and rubber stop to gain access to the interior setscrew.
- Using a 3 mm hex wrench, tighten the interior setscrew until the door bumper is secure.
- Reinstall the rubber stop with the flat part facing the interior of the shower and secure with the setscrew.
- Reinstall the decorative cover onto the door bumper.

18. Measure and Cut the Threshold



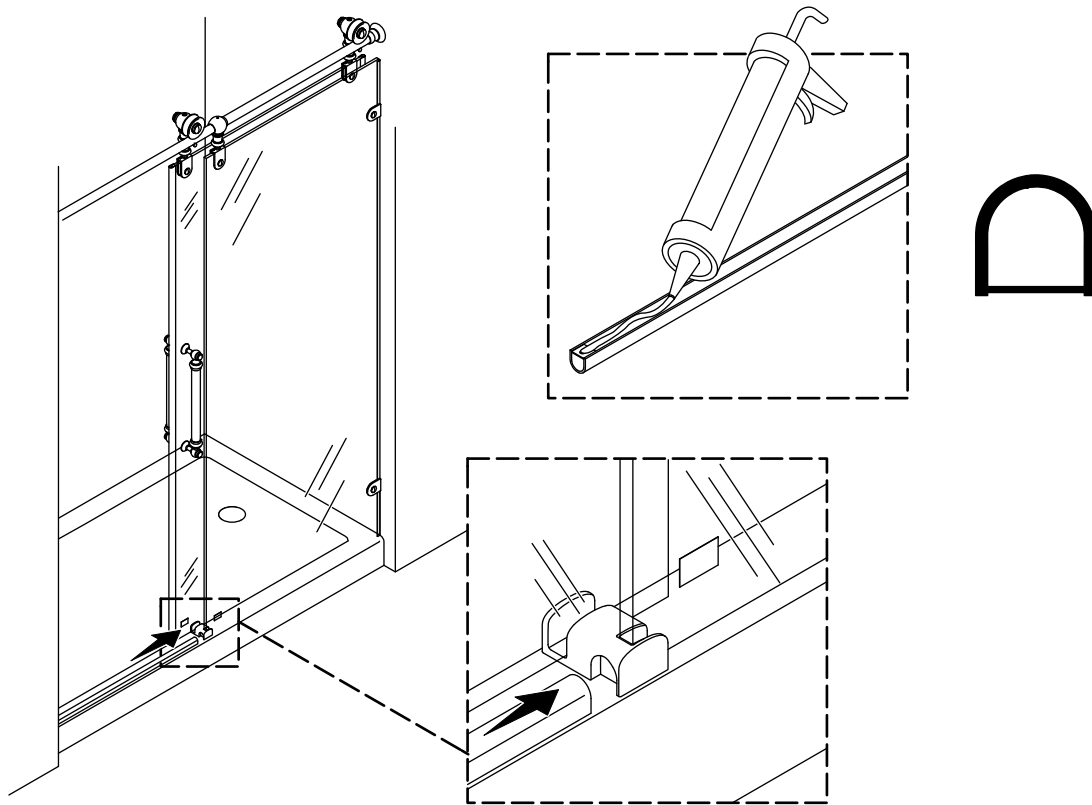
⚠ WARNING: Risk of serious injury. Always wear safety glasses while cutting and drilling.

- Measure distance "A" between the shower wall and the edge of the centerguide.
- Add 1/4" (6 mm) to "A" and make a second mark on the threshold, as shown.

NOTE: If "A" plus 1/4" (6 mm) is greater than the supplied threshold length, there is no need to cut the threshold.

- Cut the threshold at the second mark and file any rough edges.

19. Install the Threshold



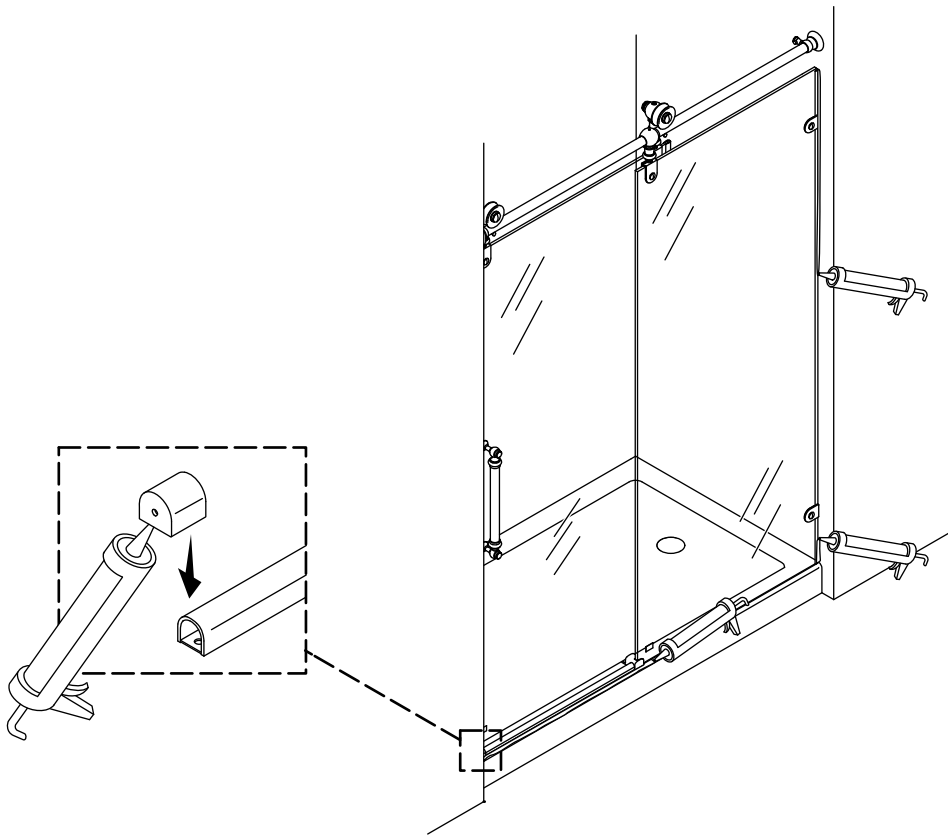
NOTE: For ease of installation, angle the threshold when inserting into the notch in the centerguide.

- Dry fit the threshold to verify fit. Remove the threshold.

NOTE: The threshold cover will cover any gap between the threshold and the wall.

- Apply 100% silicone sealant to the underside of the threshold.
- Slide one end of the threshold into the notch in the centerguide and align the threshold with the front edge of the receptor.

20. Complete Installation



- Apply 100% silicone sealant to the underside of the threshold cover.
- Place the threshold cover over the end of the threshold closest to the wall.
- Push the threshold cover to the wall if there is a gap.
- Apply 100% silicone sealant along the front edges of the threshold cover, the threshold, the centerguide, and the fixed panel.
- Push the small bulb seal on the fixed panel against the wall to eliminate any gaps.
- Apply 100% silicone sealant along the inside and outside vertical edges of the fixed panel.

Troubleshooting

This troubleshooting guide is for general aid only. For warranty service, contact your dealer, wholesale distributor, or call 1-800-4KOHLER.

Symptoms	Probable Cause	Recommended Action
1. The door is noisy when opened or closed.	<p>A. The sliding panel is too low and scrapes on the centerguide or shower base.</p> <p>B. The centerguide insert is installed incorrectly.</p> <p>C. The rollers have worn and are noisy.</p> <p>D. The header setscrews are not tightened on the wall plates.</p> <p>E. The handle is loose.</p>	<p>A. Adjust the rollers to raise the glass.</p> <p>B. Reinstall the centerguide insert.</p> <p>C. Replace the roller assembly.</p> <p>D. Remove the wall plate covers and tighten the setscrews.</p> <p>E. Tighten the handle.</p>
2. The door is hard to move or does not open or close.	<p>A. The sliding panel is too low and scrapes on the centerguide or shower base.</p> <p>B. The centerguide insert is installed incorrectly.</p> <p>C. The rollers have worn.</p>	<p>A. Adjust the rollers to raise the glass.</p> <p>B. Reinstall the centerguide insert.</p> <p>C. Replace the roller assemblies.</p>
3. The sliding panel will not stay closed.	<p>A. The header is not level.</p> <p>B. A magnetic closure may be needed.</p>	<p>A. Level the header. This may require new holes to be drilled into the shower wall.</p> <p>B. Contact the Customer Care Center for an optional closure.</p>
4. Water leaks.	<p>A. Water leaks under the fixed panel.</p>	<p>A. Apply 100% silicone sealant to the outside bottom edge of the fixed panel. Allow the sealant to cure according to the manufacturer's instructions before using the shower.</p> <p>B. Verify that the fixed panel is resting on the receptor ledge the full length of the fixed panel. If the corner near the centerguide is lifted up, the shower is too far out of plumb. Shim the wall clips to keep the fixed panel tight to the receptor ledge.</p>
5. Water leaks.	<p>A. Water leaks between the fixed panel and the wall.</p>	<p>A. Verify that the bulb seal is installed and that silicone is applied.</p> <p>B. Slide the bulb seal so that it touches the wall. Apply silicone between the seal and the wall on the outside and inside.</p> <p>C. Your wall may be too far out of plumb. Contact the Customer Care Center for a larger bulb seal. Installation of the larger bulb seal will require complete disassembly of the door.</p>

Symptoms	Probable Cause	Recommended Action
6. Water leaks.	A. Water leaks between the sliding panel and the wall.	<p>A. Adjust the moving panel so that there is no gap between the bulb seal and the shower wall.</p> <p>B. Close the sliding panel and slide the bulb seal so it contacts the shower wall the entire length of the panel.</p> <p>C. Contact the Customer Care Center for an optional closure.</p>
7. Water leaks.	A. Water leaks between the sliding panel and the fixed panel.	A. Contact the Customer Care Center to obtain two fin seals. Install a fin seal on the fixed panel and on the moving panel.
8. Water leaks.	A. Water leaks under the sliding panel.	<p>A. Lower the sliding panel according to the "Adjust the Sliding Panel" section.</p> <p>B. Contact the Customer Care Center to obtain improved water containment seals.</p>
9. The handle hits the fixed panel when the door is opened.	A. The door bumper is not installed correctly.	A. Adjust the door bumper location according to the "Secure the Door Bumper" section.
10. The fixed panel rattles.	<p>A. The wall brackets are loose.</p> <p>B. The wall bracket gaskets are missing.</p>	<p>A. Tighten the wall brackets.</p> <p>B. Remove the wall brackets and install the gaskets.</p>

Instructions d'installation

Porte de douche coulissante

Merci d'avoir choisi KOHLER

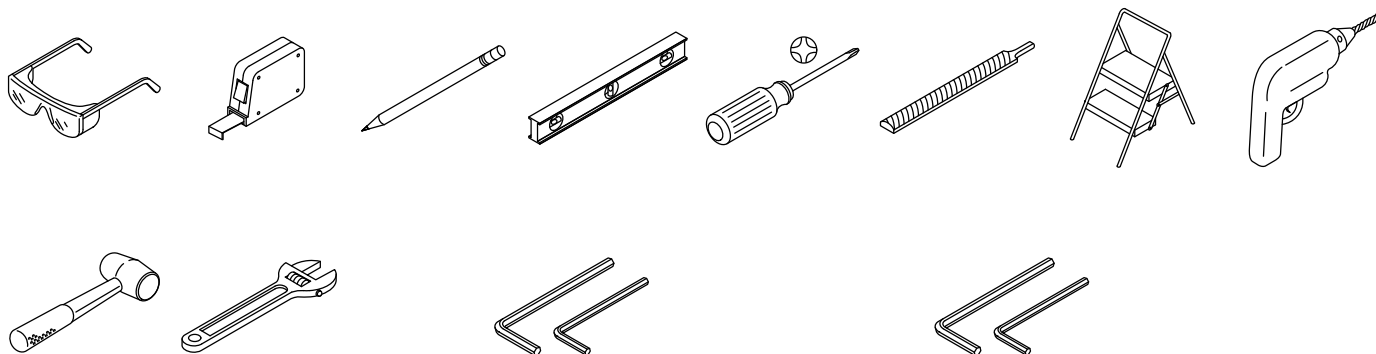
Besoin d'aide? Appeler notre centre de services à la clientèle.

- USA/Canada : 1-800-4KOHLER (1-800-456-4537) Mexique : 001-800-456-4537
- **Pièces d'entretien** : kohler.com/serviceparts
- **Entretien et nettoyage** : kohler.com/clean
- **Brevets** : kohlercompany.com/patents

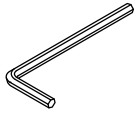
Garantie

Ce produit est couvert sous la garantie limitée d'un an **KOHLER®**, fournie sur le site kohler.com/warranty. Pour obtenir une copie imprimée des termes de la garantie, s'adresser au centre de services à la clientèle.

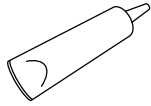
Outils et matériel



Clés hexagonales de 2,5 mm et 3 mm Clés hexagonales de 4 mm et 5 mm



Clé hexagonale de 6 mm Mèche de 1/4 po, mèche de maçonnerie de 1/4 pour carrelage Ruban de peintre









Mastic d'étanchéité à la silicone à 100 %

Plus :

- Scie à tronçonner qui coupe le métal ou scie de tronçonnage
- Lame de tournevis n° 2 de 3 po ou plus longue (recommandée)
- Toile de protection

Avant de commencer

-  **AVERTISSEMENT : Risque de blessures graves.** Des dommages avant l'installation peuvent entraîner des éclatements de verre. Inspecter le verre et toutes les pièces pour y rechercher des dommages éventuels avant l'installation.
-  **AVERTISSEMENT : Risque de blessures graves.** Une installation incorrecte peut entraîner des éclatements de verre. Suivre toutes les instructions d'installation.
-  **AVERTISSEMENT : Risque de blessures graves.** Ne pas couper le verre trempé. Le verre trempé éclate lorsqu'il est coupé.
-  **AVERTISSEMENT : Risque de blessures graves.** La porte de la douche et les panneaux latéraux peuvent éclater. Inspecter régulièrement le verre et toutes les pièces pour y rechercher des dommages, ou des pièces manquantes ou desserrées.
-  **AVERTISSEMENT : Risque de blessures graves.** Toujours porter des lunettes de sécurité pendant la découpe et le perçage.
-  **ATTENTION : Risque de blessures.** Le verre trempé ne doit pas entrer en contact avec des surfaces dures, car il risquerait de se briser. Ne pas toucher le bord du panneau de verre trempé avec des outils ou des objets durs.

IMPORTANT! Laisser ce manuel pour l'utilisateur final. Lire toutes les instructions avant d'installer ou d'utiliser ce produit.

IMPORTANT! Cette porte est conçue pour s'adapter à des murs qui ont sont hors d'aplomb de moins de 3/8 po (10 mm). Vérifier que la zone sur laquelle la porte sera fixée est comprise dans un rayon de 3/8 po (10 mm) de l'aplomb. La porte risque de ne pas fonctionner correctement si le mur est hors d'aplomb de plus de 3/8 po (10 mm).

IMPORTANT! Ne pas installer cette porte sur une base de douche en fonte.

IMPORTANT! Ne pas retirer les protecteurs de coins des panneaux de porte avant d'avoir installé ces derniers.

Recouvrir le drain avec du ruban afin d'éviter de perdre les petites pièces.

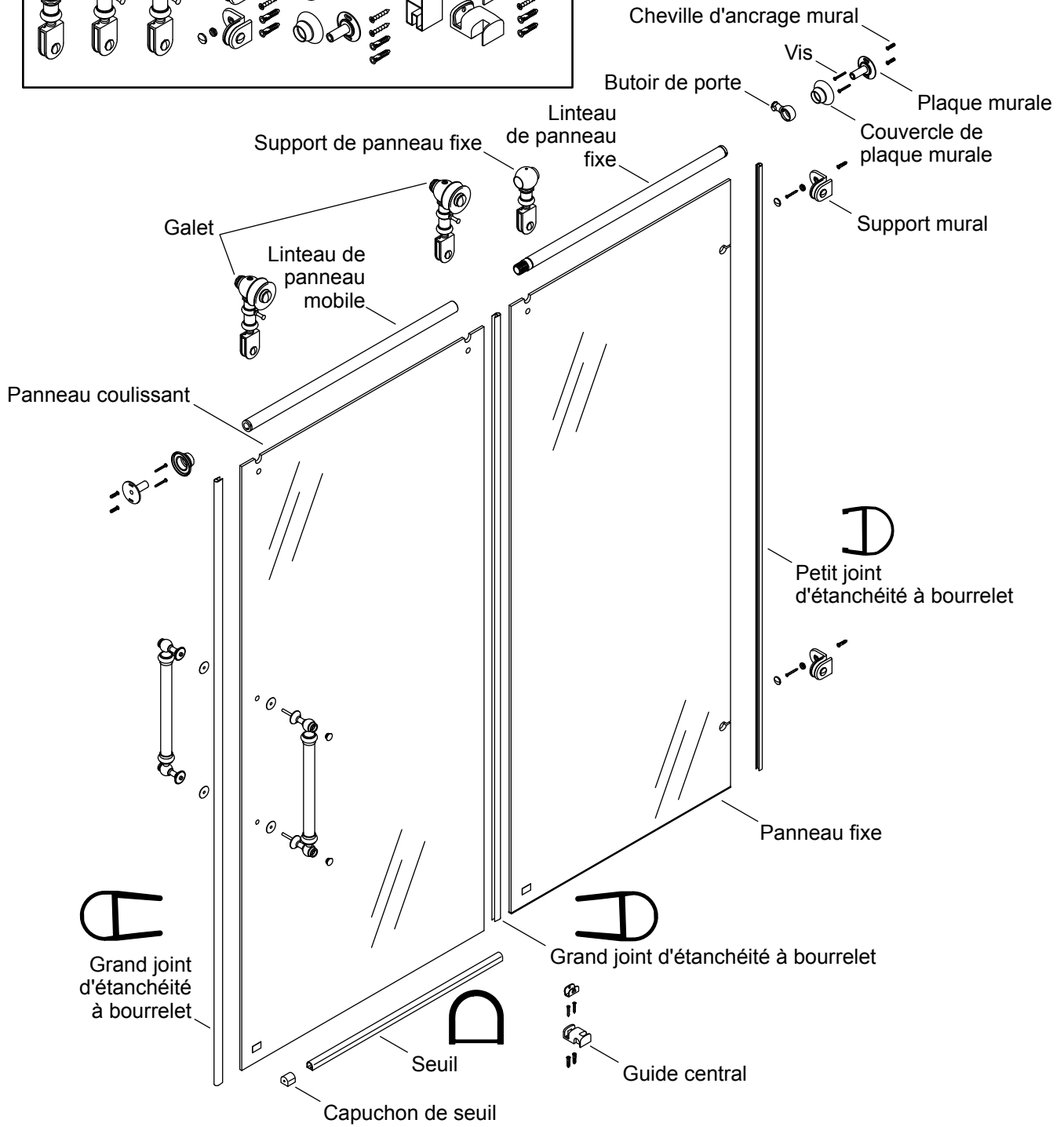
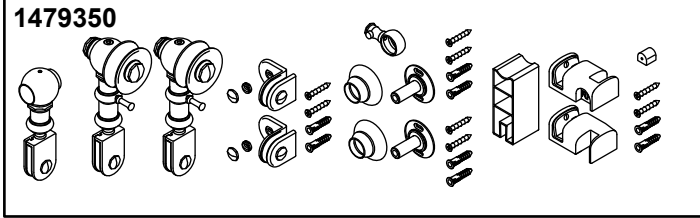
Identifier toutes les pièces avant l'installation. Vérifier qu'elles sont en bon état.

Suivre les instructions du fabricant du mastic à la silicone en ce qui concerne l'application et le temps de prise.

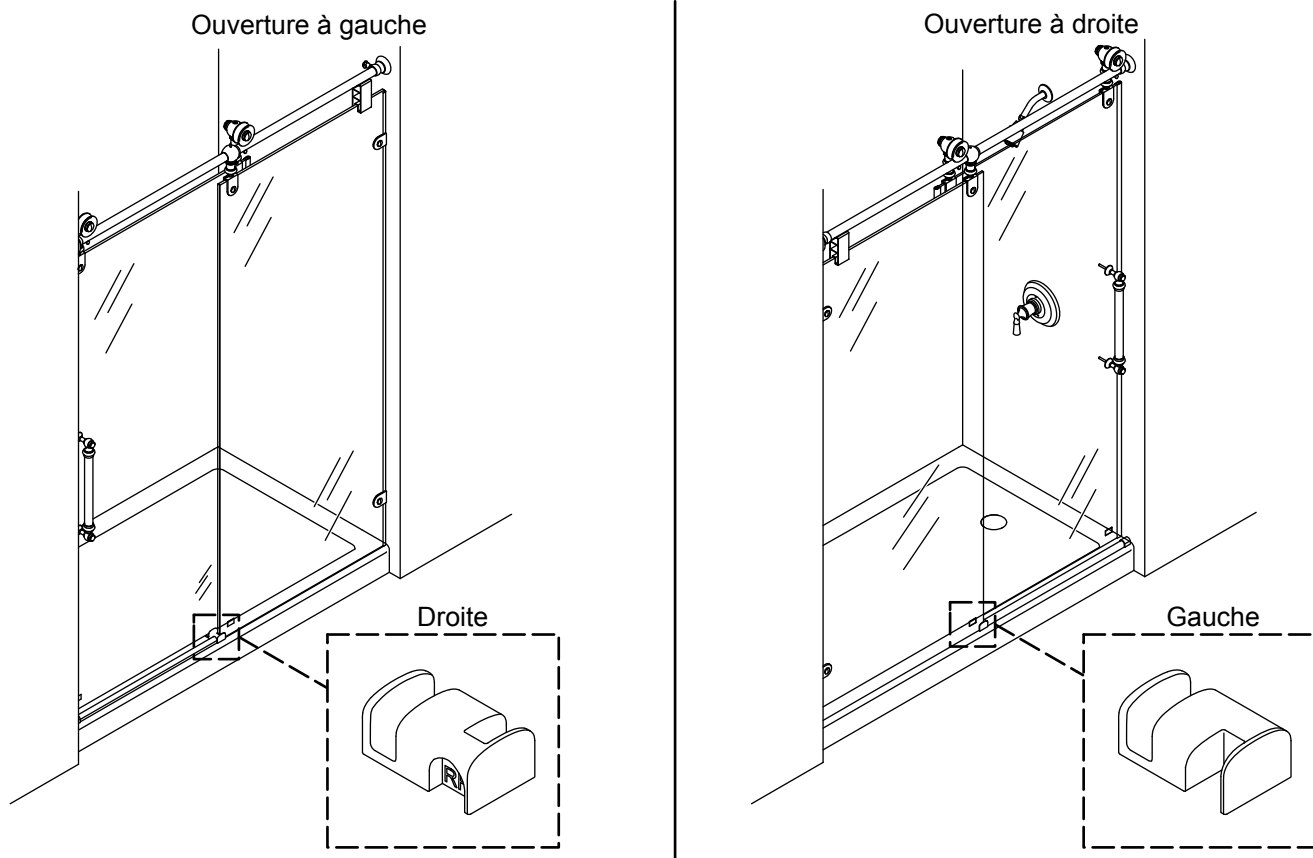
Deux personnes doivent effectuer cette installation.

Le panneau fixe devrait être installé sur le côté se trouvant à l'opposé de la pomme de douche.

Identification des pièces



1. Déterminer la configuration de la porte



IMPORTANT! Une configuration avec ouverture à gauche est indiquée dans les étapes d'installation sauf sur indication contraire.

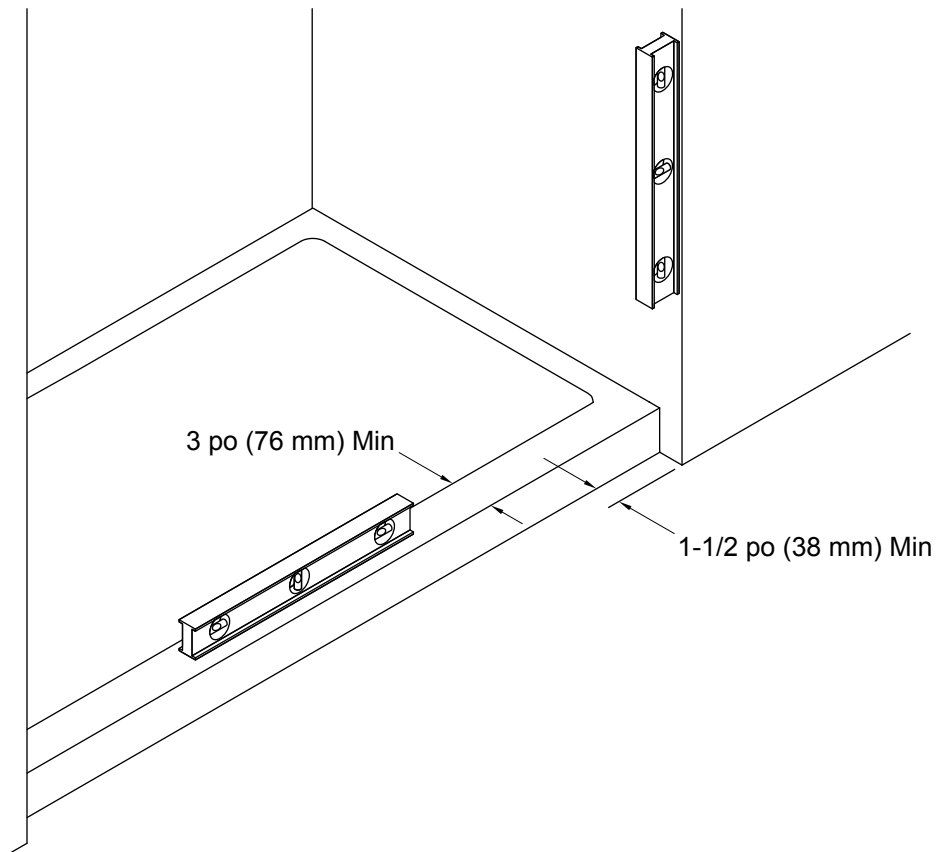
REMARQUE : Le guide central portant la mention « RH » (Droite) est installé sur la configuration avec ouverture à gauche. Le guide central portant la mention « LH » (Gauche) est installé sur la configuration avec ouverture à droite.

Déterminer si la porte sera installée dans une configuration avec ouverture à droite ou à gauche.

Il est recommandé d'installer le panneau coulissant sur le même côté de la douche que celui de la pomme de douche.

Choisir le guide central qui correspond à la configuration de porte souhaitée.

2. Vérifier la compatibilité entre le rebord et le mur



IMPORTANT! Pour un alignement et un fonctionnement adéquats de la porte, vérifiez que les murs et la base de la douche sont conformes aux conditions requises suivantes. Ne pas installer la porte si ces conditions requises ne sont pas présentes.

IMPORTANT! Ne pas installer cette porte sur une base de douche en fonte.

IMPORTANT! Ne pas installer cette porte si l'intersection entre le rebord du receveur et le mur de la douche est arrondie.

La porte 701724-10L est conçue pour être installée dans les ouvertures de douche d'une largeur de 58-1/4 po (1480 mm) à 59-1/4 po (1505 mm).

La porte 701725-10L est conçue pour être installée dans des ouvertures de douche d'une largeur de 57-1/4 po (1454 mm) à 58-1/4 po (1480 mm).

La porte 701726-10L est conçue pour être installée dans des ouvertures de douche d'une largeur de 46-1/4 po (1175 mm) à 47-1/4 po (1200 mm).

La porte 701727-10L est conçue pour être installée dans des ouvertures de douche d'une largeur de 45-1/4 po (1149 mm) à 46-1/4 po (1175 mm).

L'ouverture verticale doit être de 83 po (2108 mm) minimum.

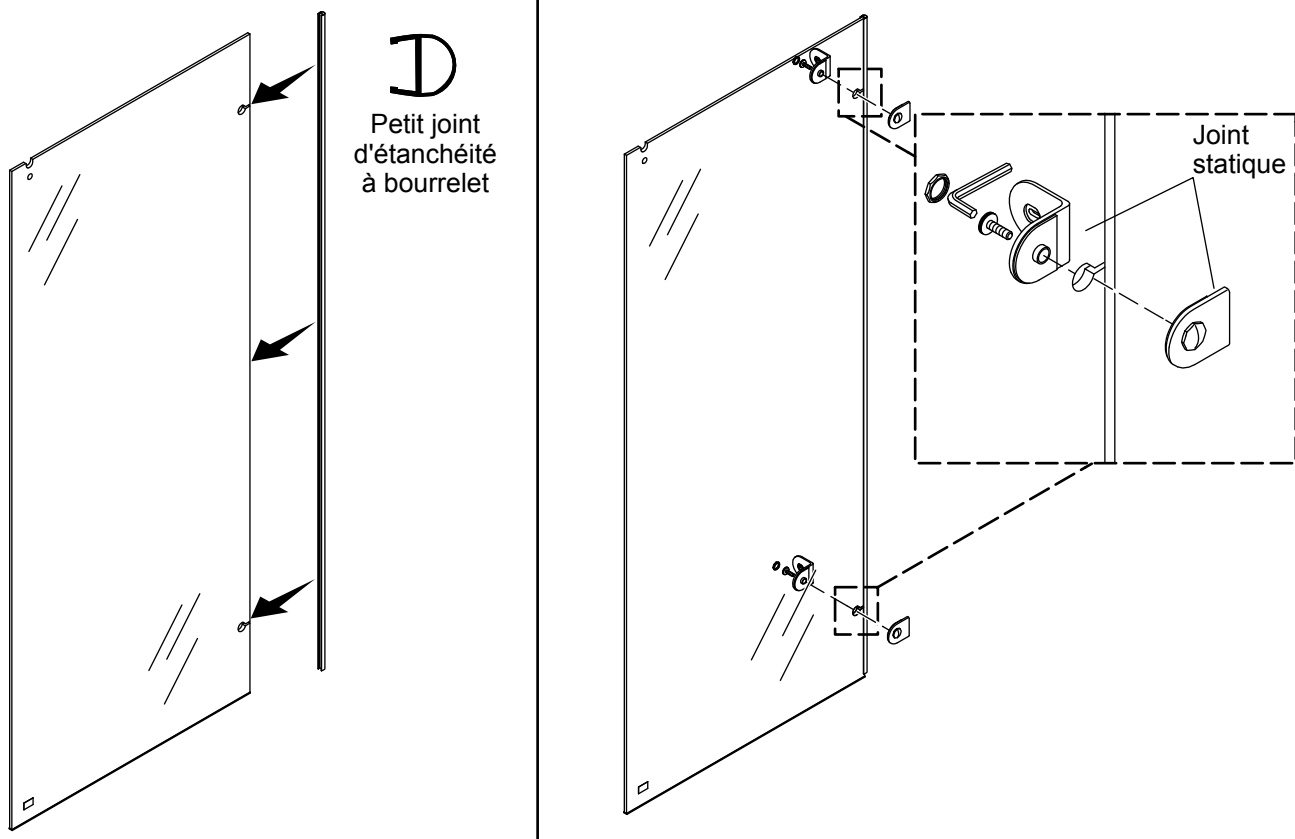
Une surface plate de 3 po (76 mm) au moins doit être présente sur la base de la douche.

REMARQUE : Si le rebord de la base de la douche dispose de moins de 3-1/2 po (89 mm) de surface plate pour l'installation, une surface de mur plate de 1-1/2 po (38 mm) au moins doit se prolonger à partir du bord avant du rebord de la douche.

Les murs doivent être compris dans un rayon de 3/8 po (10 mm) de l'aplomb.

La base de la douche doit être à niveau entre les murs.

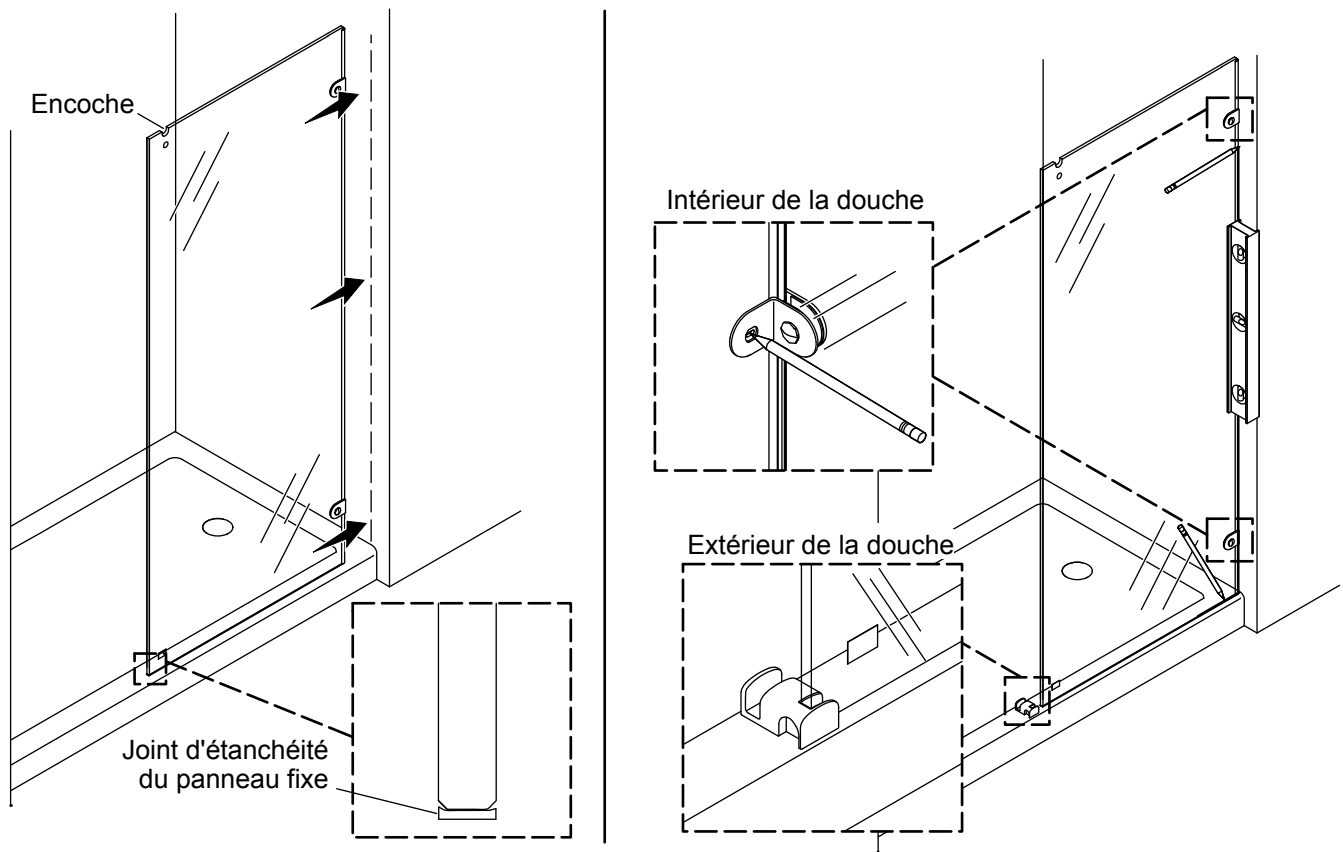
3. Assembler le panneau fixe



ATTENTION : Risque de blessures. Le verre trempé ne doit pas entrer en contact avec des surfaces dures, car il risquerait de se briser. Ne pas toucher le bord du panneau de verre trempé avec des outils ou des objets durs.

- Retirer les protecteurs de coins du haut du panneau fixe.
- Installer le petit joint d'étanchéité à bourrelet sur le bord du panneau avec les encoches.
- Retirer le capuchon décoratif de chaque support de mur.
- À l'aide d'une clé hexagonale de 4 mm, désassembler les supports muraux.
- Vérifier que les joints statiques en plastique sont installés sur les supports muraux avant de les sécuriser le panneau fixe.
- À l'aide d'une clé hexagonale de 4 mm, installer sans serrer les supports muraux sur le panneau fixe.

4. Marquer le mur



IMPORTANT! Vérifier que le joint d'étanchéité du panneau fixe préinstallé est en place sur le fond du panneau fixe.

REMARQUE : L'encoche est située vers le haut et le centre de la douche.

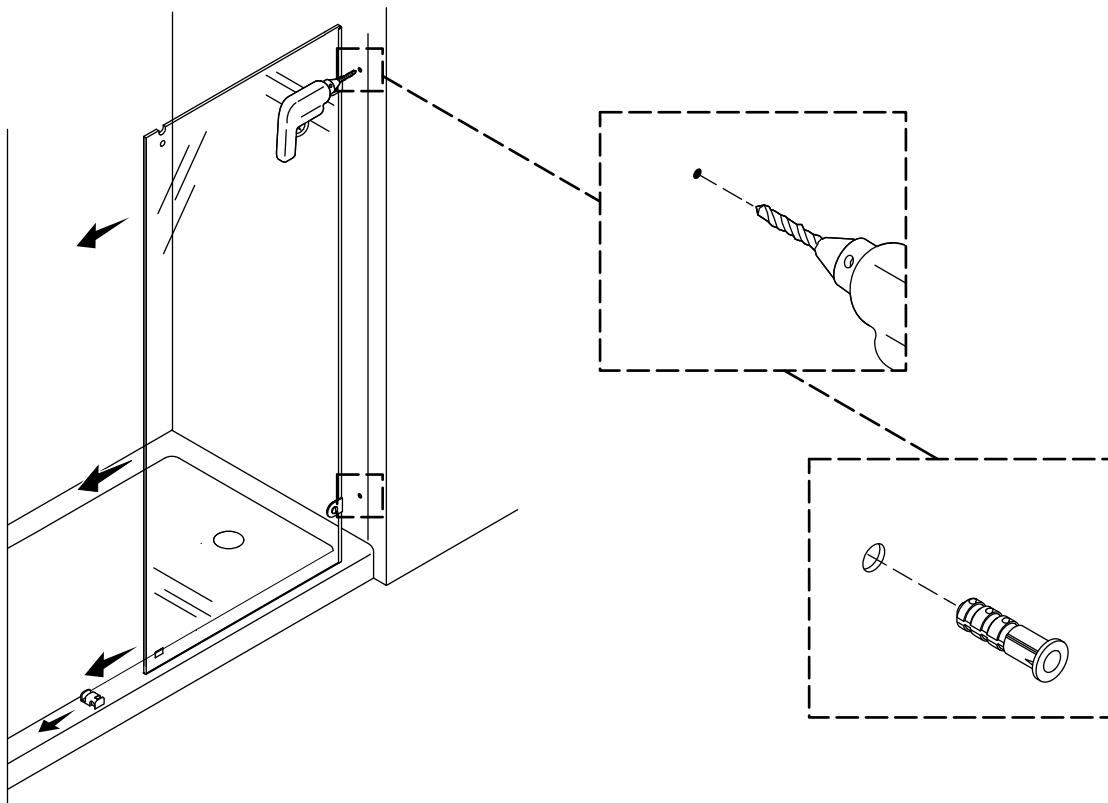
REMARQUE : Effectuer la procédure suivante avec deux personnes.

- Poser le panneau fixe sur le rebord de la douche.
- Sélectionner le guide central correct en fonction de la section « Déterminer la configuration de la porte » et glisser le guide central sur le coin inférieur du panneau fixe.
- Déplacer le guide central et le panneau fixe de manière à ce que le guide central soit au même niveau que le bord extérieur du rebord de la base de la douche.

REMARQUE : Si les murs de la douche ne se prolongent pas au-delà de la base de la douche avec un minimum de 1-1/2 po (38 mm), la base de la douche doit avoir une surface plate de 3-1/2 po (89 mm) minimum. Aligner le guide central à 1 po (25 mm) du bord extérieur de la base de la douche dans ce scénario.

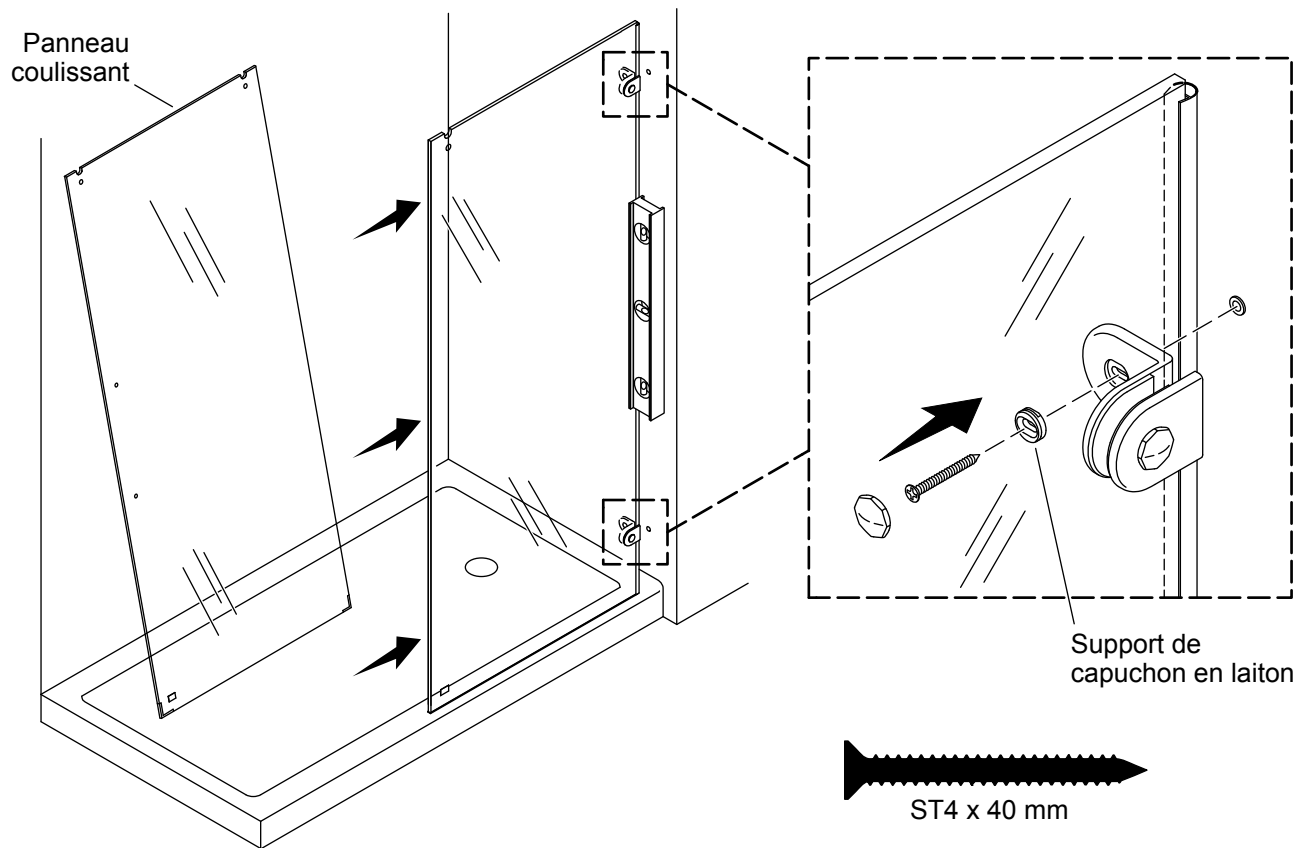
- Glisser le panneau étroitement sur le mur et vérifier que les supports du panneau fixe appuient de manière serrée contre le mur.
- Serrer complètement les supports du panneau fixe sur le panneau fixe.
- Mettre le panneau fixe d'aplomb en utilisant un niveau.
- Marquer l'emplacement du panneau fixe sur le rebord de la douche et le mur.
- Marquer l'emplacement des trous dans les supports du panneau fixe.

5. Percer les trous des supports muraux



- Retirer le guide central et le panneau fixe de la base de la douche.
- Percer un trou de 1/4 po à chaque emplacement marqué. Utiliser une mèche à maçonnerie pour les murs à carrelage.
- Installer les chevilles d'ancrage mural fournies. Si nécessaire, taper doucement sur les chevilles d'ancrage jusqu'à ce qu'elles soient à ras du mur.

6. Installer le panneau fixe



REMARQUE : Les trous du verre dans le panneau fixe permettent une amplitude de mouvement de 3/8 po (10 mm) pour les supports du panneau fixe.

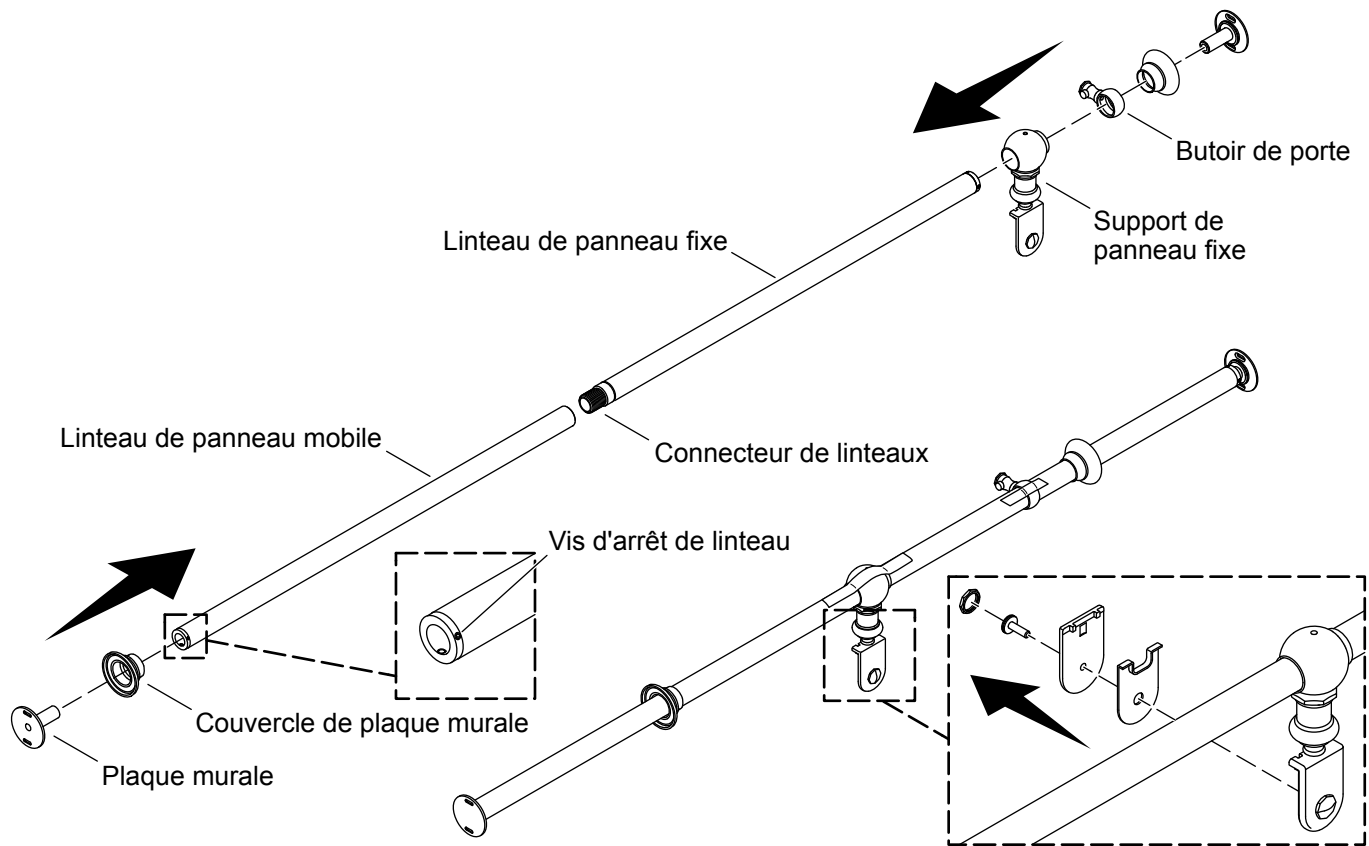
- Avec de l'aide, déplacer entièrement le panneau coulissant dans la zone de la douche.
- Orienter le panneau coulissant avec les trous sur le haut et les trous de la poignée dirigés vers la pomme de douche.

REMARQUE : Ne pas retirer les protecteurs de coins du panneau coulissant.

REMARQUE : Le panneau coulissant reste dans la zone de la douche jusqu'à l'installation dans la section « Installer le panneau coulissant ».

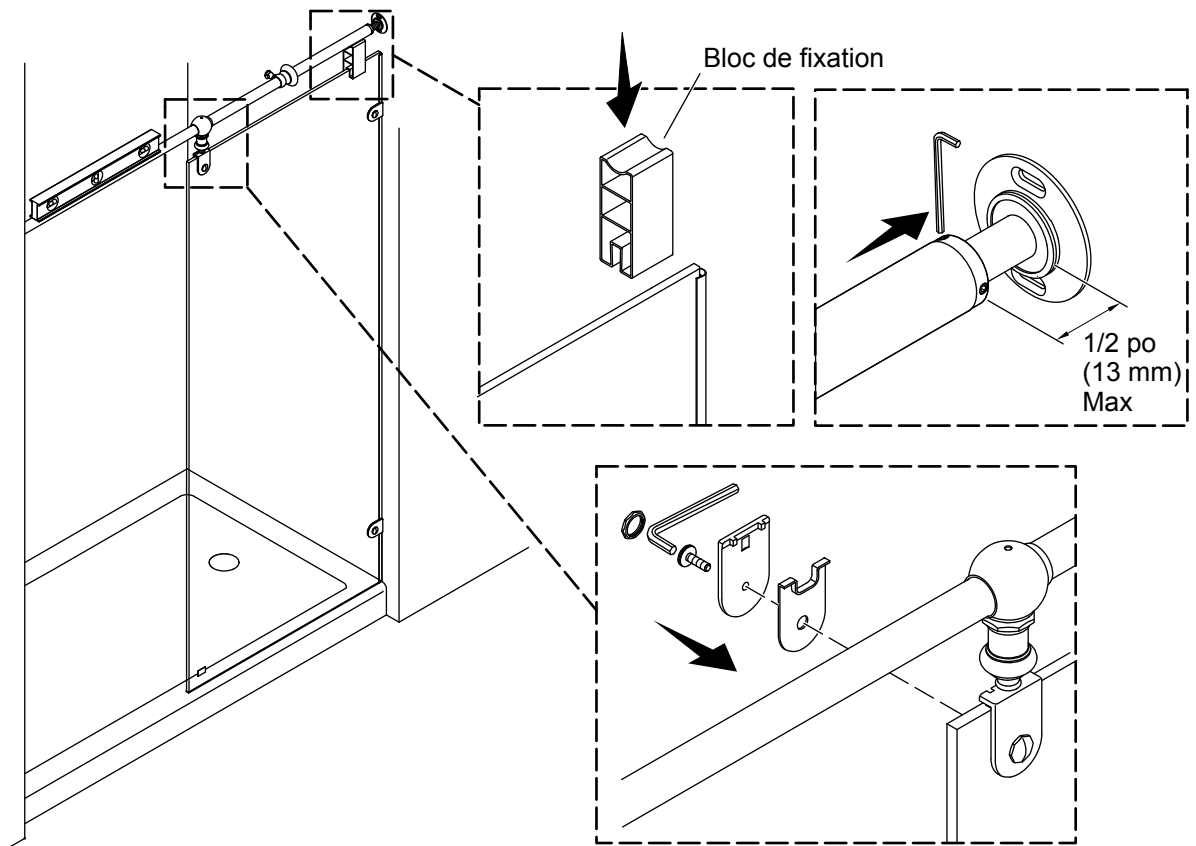
- Mettre le panneau fixe sur le rebord de la base de la douche à la position marquée auparavant.
- Vérifier que le bas du panneau fixe repose entièrement sur la base de la douche.
- Au besoin, desserrer les supports muraux et pousser les panneaux muraux sur le mur de manière serrée. Resserrer les supports muraux.
- Poser un support de capuchon en laiton sur une vis ST4 x 40 mm (1-1/2 po) de manière à ce que la tête de vis soit encastrée dans le support de capuchon en laiton et fixer chaque support mural sur le mur.
- Aligner le bas du panneau fixe avec la ligne marquée auparavant et vérifier que le panneau fixe est d'aplomb. Si le panneau fixe n'est pas d'aplomb, desserrer les supports muraux et ajuster au besoin.
- Installer un capuchon décoratif sur le support du capuchon en laiton.
- Glisser le joint d'étanchéité à bourrelet sur le mur si un écartement est présent entre le panneau fixe et le mur.

7. Assembler le linteau



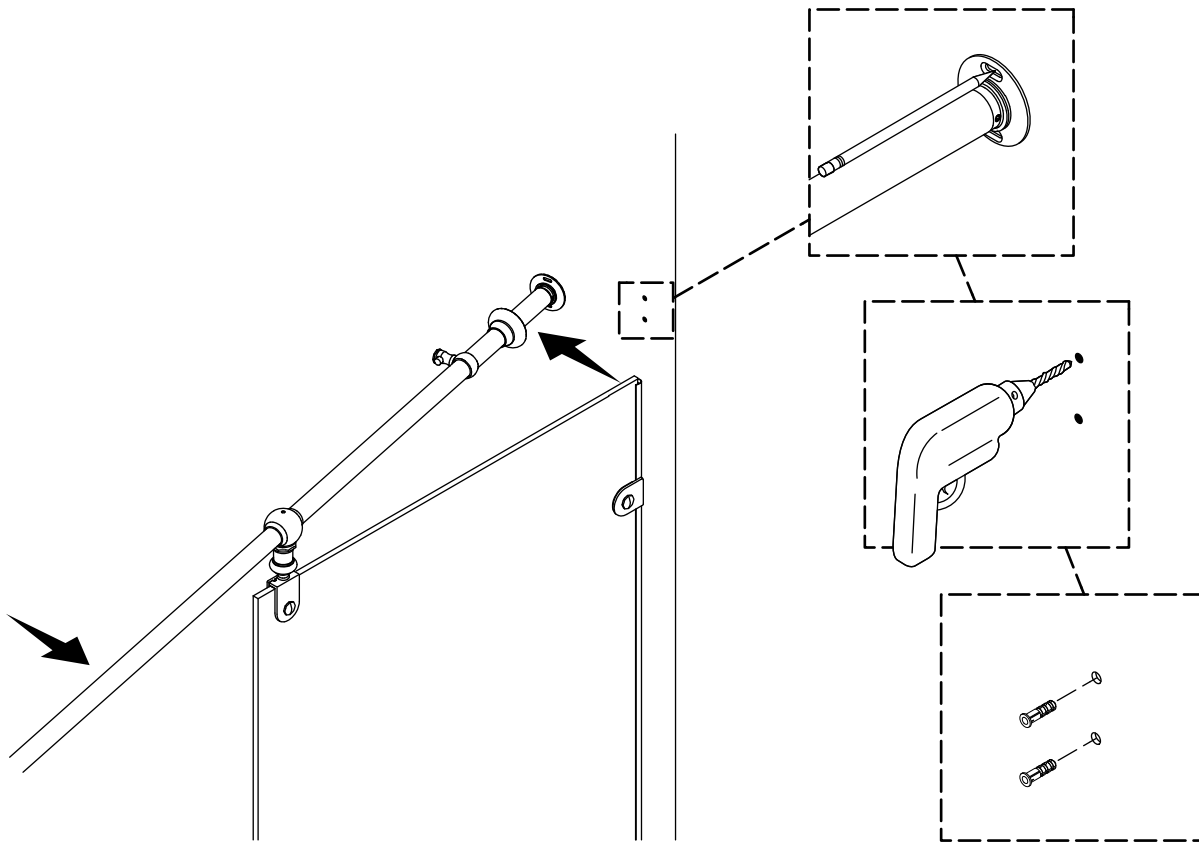
- Pour une identification pendant l'installation, poser un morceau de ruban de peintre sur le linteau du panneau fixe. Le linteau du panneau fixe sera positionné au-dessus du panneau fixe.
- Enfiler le linteau du panneau mobile et le linteau du panneau fixe ensemble.
- Retirer le capuchon décoratif du support du panneau fixe.
- Avec une clé hexagonale de 4 mm, désassembler le support du panneau fixe.
- Glisser le support du panneau fixe sur le linteau et le positionner à l'emplacement où les deux tubes se raccordent. Mettre le support du panneau fixe en place avec du ruban adhésif.
- Glisser et poser le butoir de la porte avec la butée en caoutchouc dirigée vers le centre du linteau et le mettre en place avec du ruban adhésif.
- Installer un couvercle de plaque murale et une plaque murale sur chaque extrémité du linteau. Vérifier que les plaques murales sont à ras des extrémités du linteau.
- Avec une clé hexagonale de 2,5 mm, serrer l'une des trois vis d'arrêt du linteau sur chaque extrémité du linteau pour empêcher que les plaques murales tombent hors du linteau.

8. Installer le linteau



- Positionner le bloc de montage sur le haut du panneau fixe à proximité du mur.
- Lever l'ensemble du linteau et aligner le support du panneau fixe avec le trou et l'encoche dans le panneau fixe.
- Retirer le ruban adhésif du support du panneau fixe.
- Avec une clé hexagonale de 4 mm, raccorder le support du panneau fixe au panneau fixe. Vérifier que le linteau est centré entre les murs.
- Avec une clé hexagonale de 2,5 mm, desserrer les vis d'arrêt du linteau et glisser les plaques murales vers l'extérieur de manière à ce qu'elles touchent les murs.
- Vérifier que le linteau est centré entre les murs et que les plaques murales ne se prolongent pas de plus de 1/2 po au-delà de chaque côté du linteau.
- Tourner les plaques murales de manière à ce que les trous se trouvent sur le haut et le bas.
- Serrer l'une des vis d'arrêt du linteau sur chaque extrémité pour maintenir les plaques murales en place.
- Aligner le linteau de manière à ce qu'il soit parallèle à l'horizontale et à la verticale avec le panneau fixe le long de toute la longueur du linteau.
- Mettre le linteau à niveau.

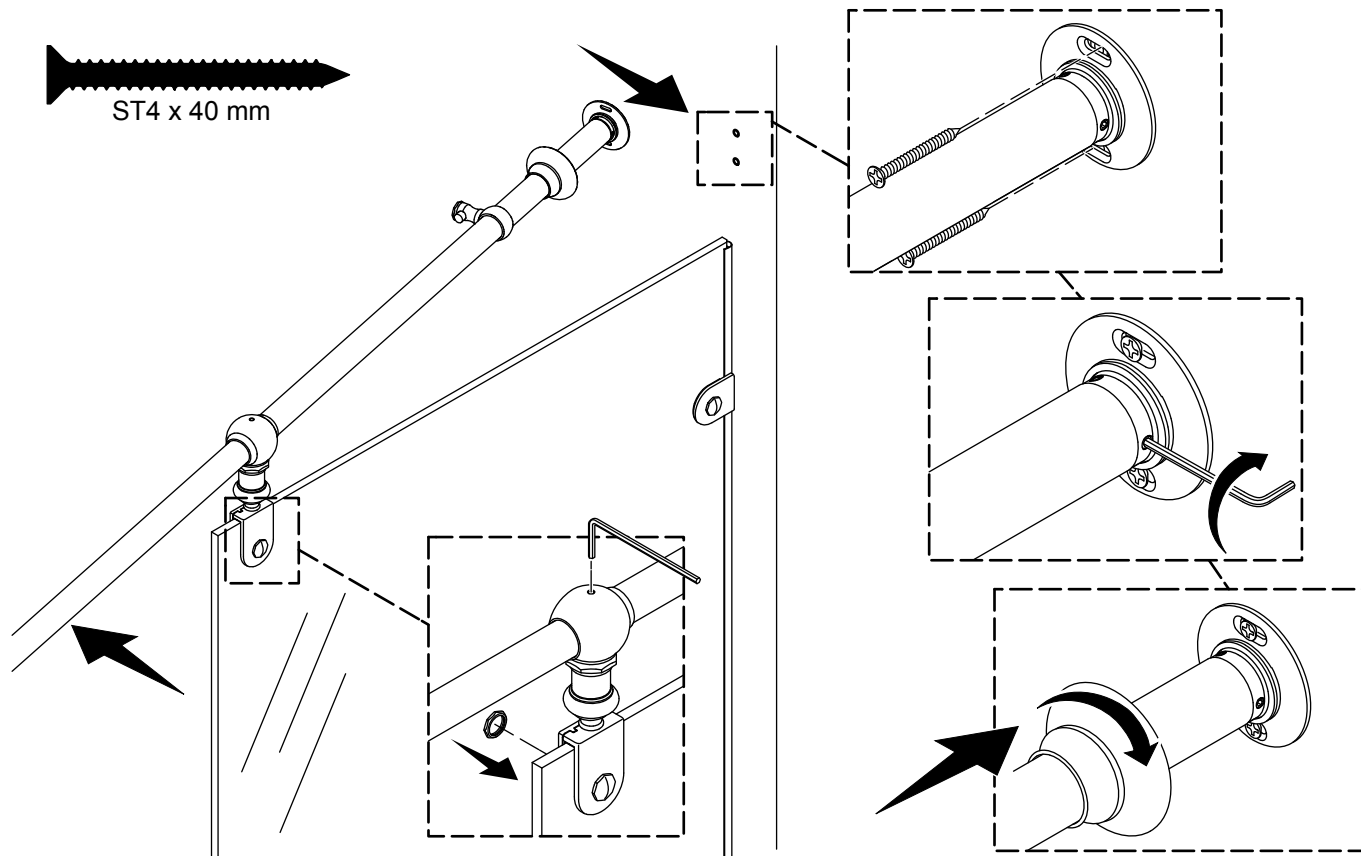
9. Marquer les trous des plaques murales



IMPORTANT! Les trous dans les plaques murales doivent être positionnés dans le haut et le bas des plaques murales après leur installation.

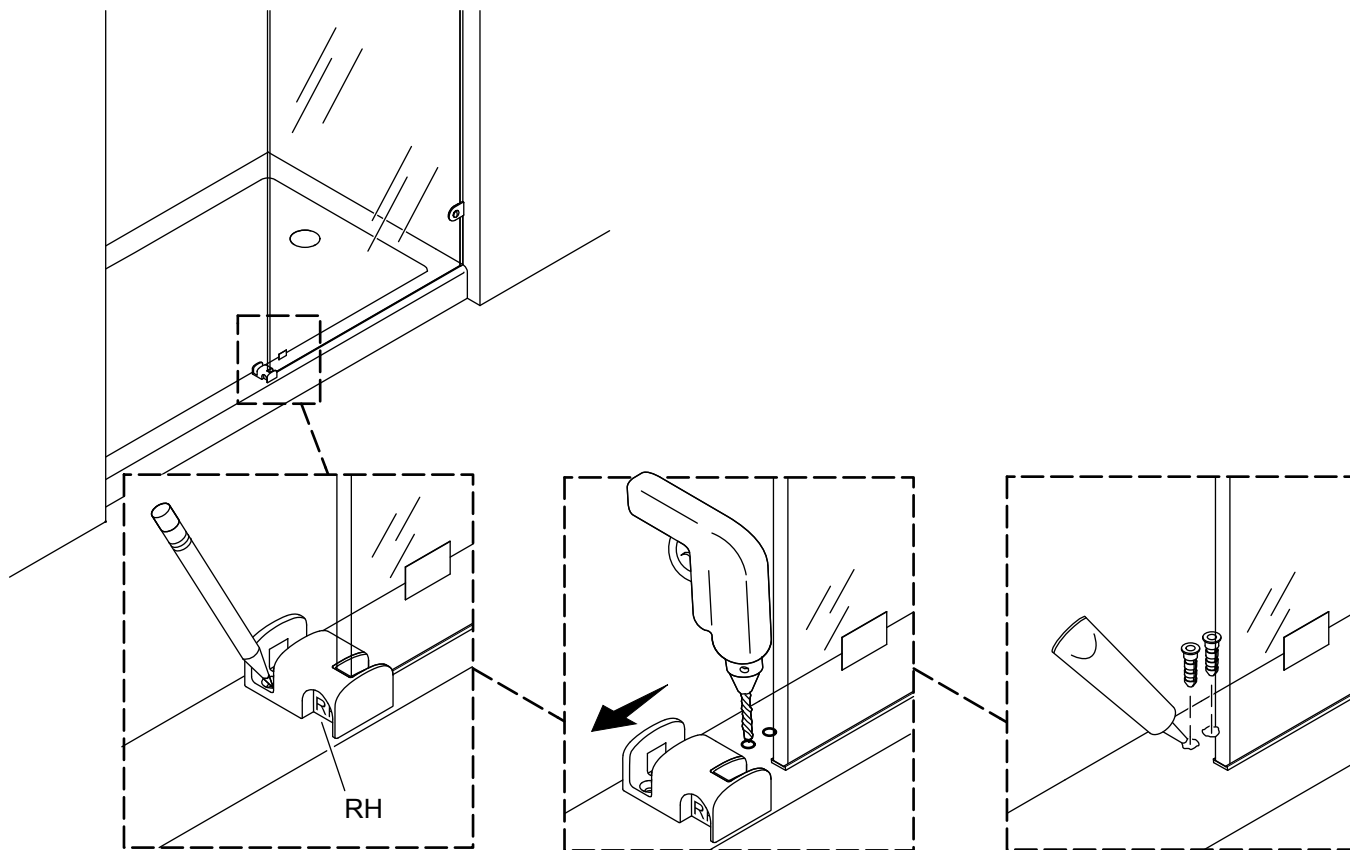
- Vérifier que le bas du panneau fixe est positionné sur la ligne marquée auparavant sur la base de la douche.
- Marquer l'emplacement des trous des plaques murales sur les murs de la douche.
- Tourner légèrement le linteau de manière à ce qu'il ne gêne pas le perçage des trous des plaques murales.
- Retirer le bloc de montage du panneau fixe.
- Percer un trou de 1/4 po à chaque emplacement marqué. Utiliser une mèche à maçonnerie pour les murs à carrelage.
- Installer les chevilles d'ancrage mural fournies. Si nécessaire, taper doucement sur les chevilles d'ancrage jusqu'à ce qu'elles soient à ras du mur.

10. Fixer le linteau en place



- Faire pivoter le linteau de manière à ce que les plaques murales soient alignées avec les trous percés.
- Vérifier que les plaques murales sont bien serrées contre le mur.
- À l'aide d'un tournevis long, fixer chaque plaque murale au mur avec deux vis ST4 x 40 mm (1-1/2 po).
- Centrer le linteau entre les plaques murales et serrer toutes les vis d'arrêt du linteau avec une clé hexagonale de 2,5 mm.
- Enfiler un couvercle de plaque murale sur chaque plaque murale.
- Avec une clé hexagonale de 2,5 mm, serrer la vis d'arrêt supérieure du support du panneau fixe.
- Poser un couvercle décoratif pardessus la vis du support du panneau fixe.

11. Préparer le guide central

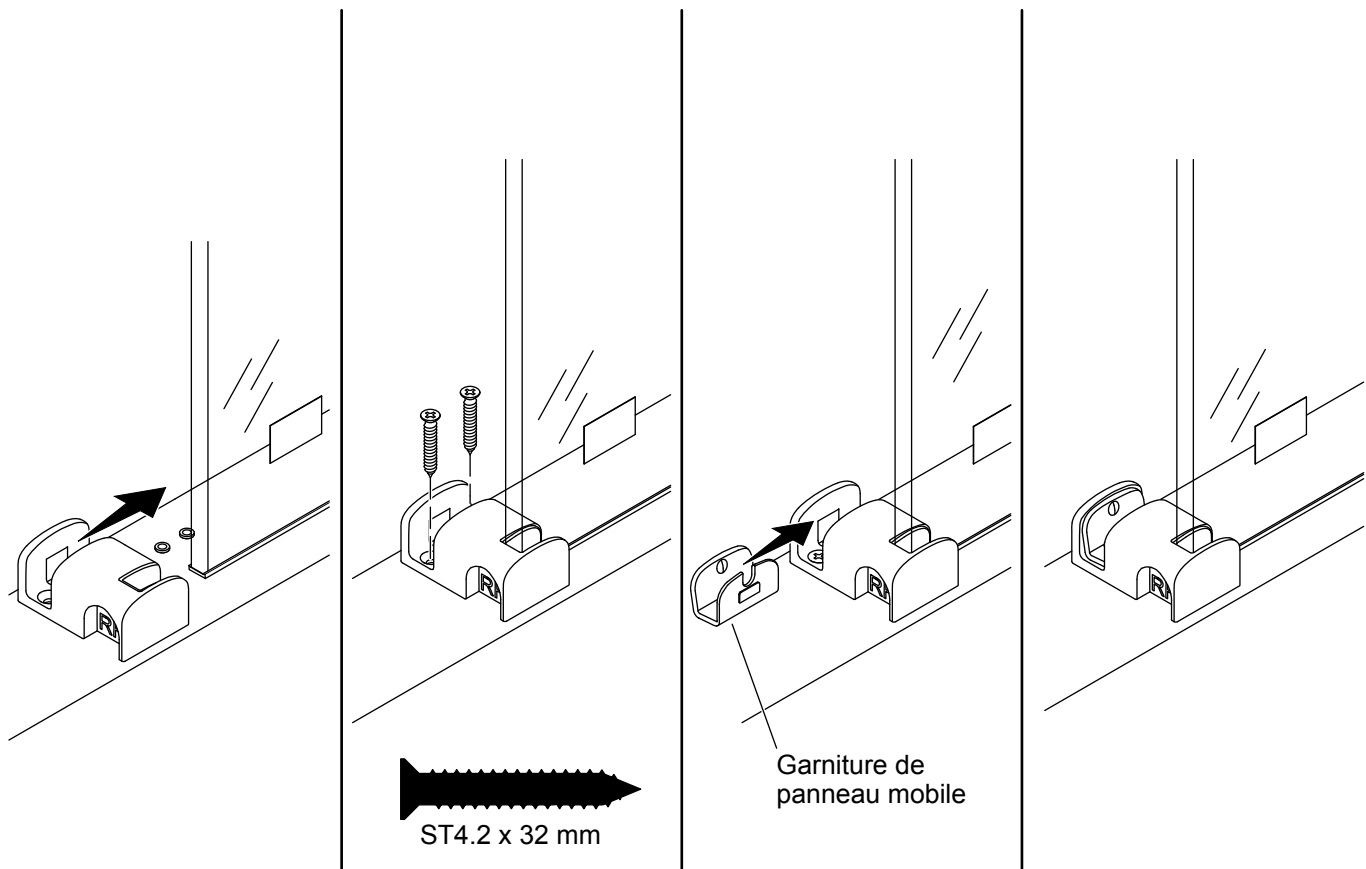


REMARQUE : Trois guides centraux différents sont possibles pour les installations avec ouverture à gauche et ouverture à droite. Installer le guide central choisi dans la section « Déterminer la configuration de la porte ».

REMARQUE : Une configuration avec ouverture à gauche est illustrée.

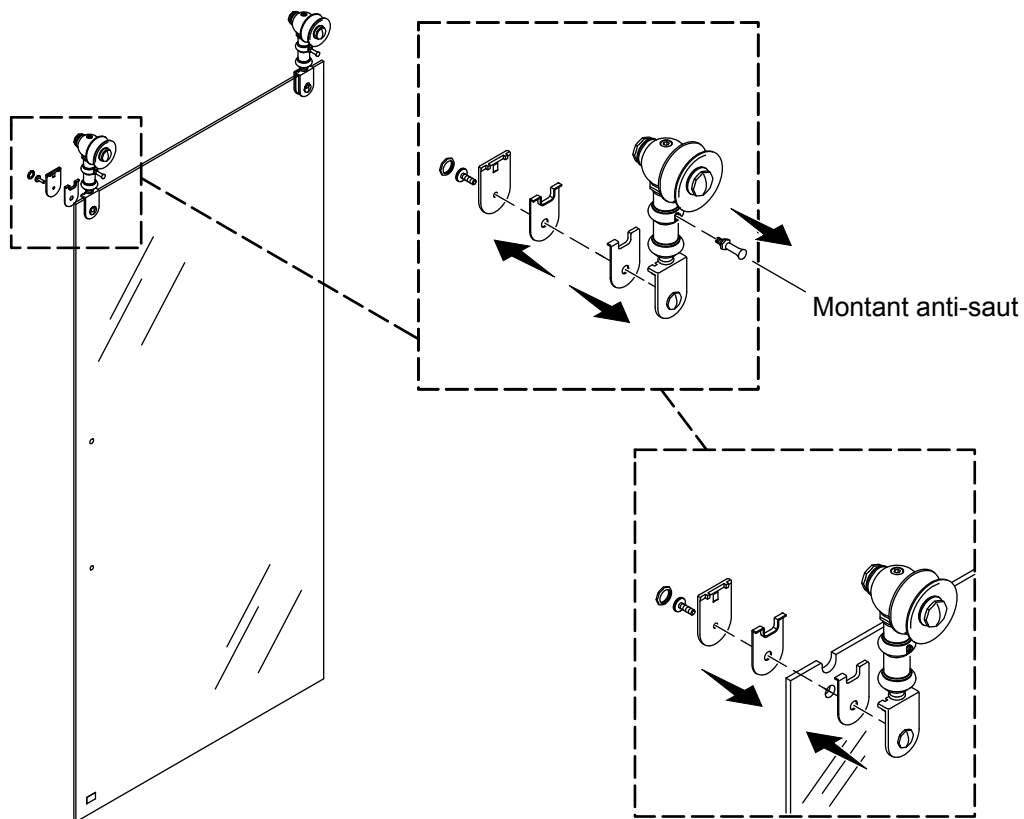
- Glisser le guide central sur le coin inférieur du panneau fixe.
- Avec un crayon, marquer les deux trous du guide central sur la base de la douche.
- Retirer le guide central.
- Percer un trou de 1/4 po à chaque emplacement marqué. Utiliser une mèche à maçonnerie pour les bases de douche à carrelage.
- Appliquer du mastic à la silicone à 100 % dans les trous et installer les chevilles d'ancrage fournies. Si nécessaire, taper doucement sur les chevilles d'ancrage jusqu'à ce qu'elles soient à ras. Appliquer plus de mastic d'étanchéité à la silicone sur les chevilles d'ancrage.

12. Installer le guide central



- Glisser le guide central sur le coin inférieur du panneau fixe.
- Fixer le guide central sur le rebord de la base de la douche en utilisant deux vis ST4.2 x 32 mm (1-1/4 po).
- Appuyer sur le bouton sur l'intérieur du canal du guide central et glisser la garniture du panneau mobile dans le canal du guide central jusqu'à ce que la garniture du panneau mobile s'enclenche en place.

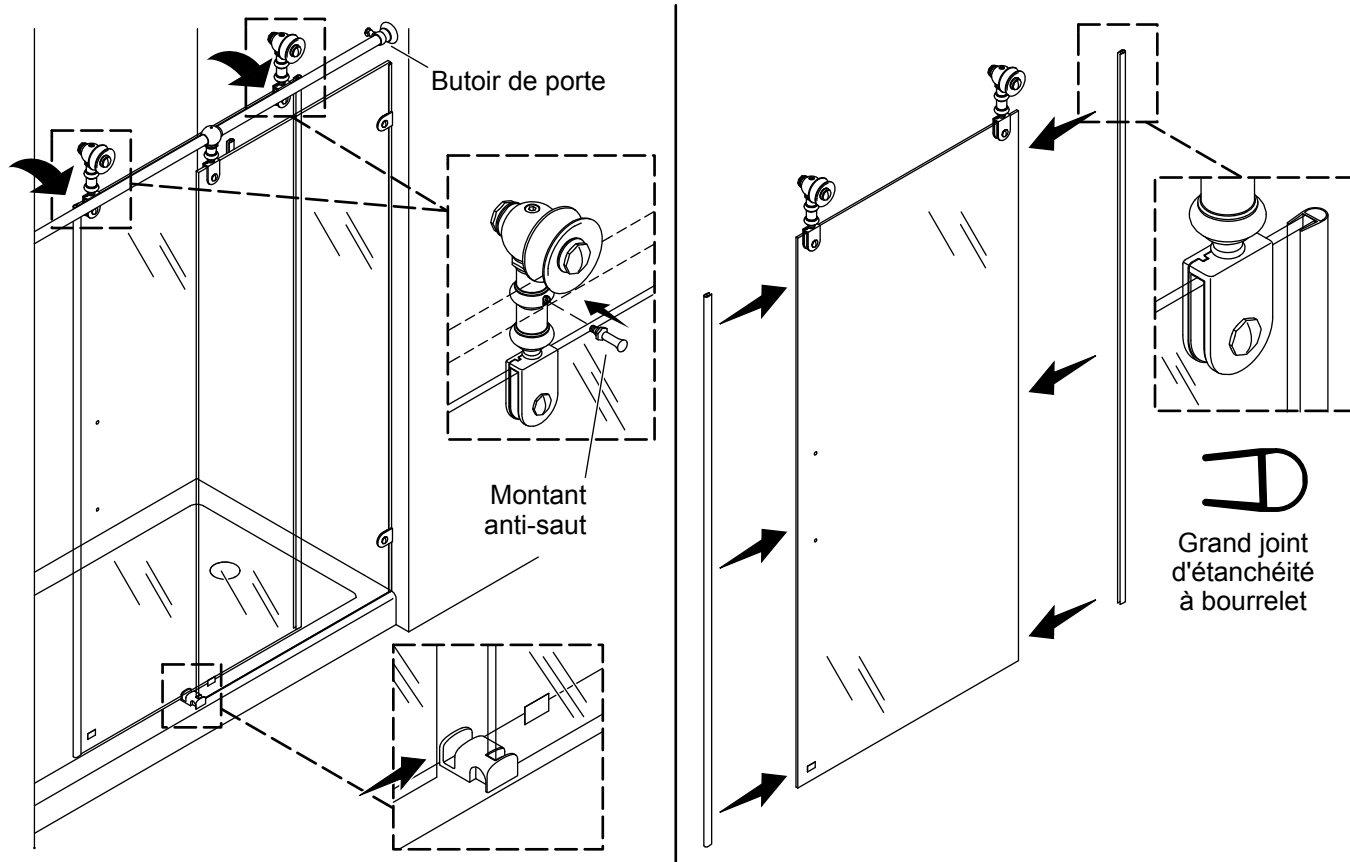
13. Assembler le panneau coulissant



REMARQUE : Les galets doivent être installés sur le panneau de manière à être tournés vers l'extérieur de la douche et les trous de la poignée doivent être dirigés vers la pomme de douche.

- Retirer les protecteurs de coins des deux coins supérieurs du panneau.
- Retirer le capuchon décoratif de chaque galet.
- À l'aide d'une clé hexagonale de 4 mm, désassembler les galets.
- Dévisser les montants anti-saut et les mettre de côté. Si nécessaire, utiliser une clé à molette.
- Fixer les galets en place sur le panneau coulissant.

14. Installer le panneau coulissant

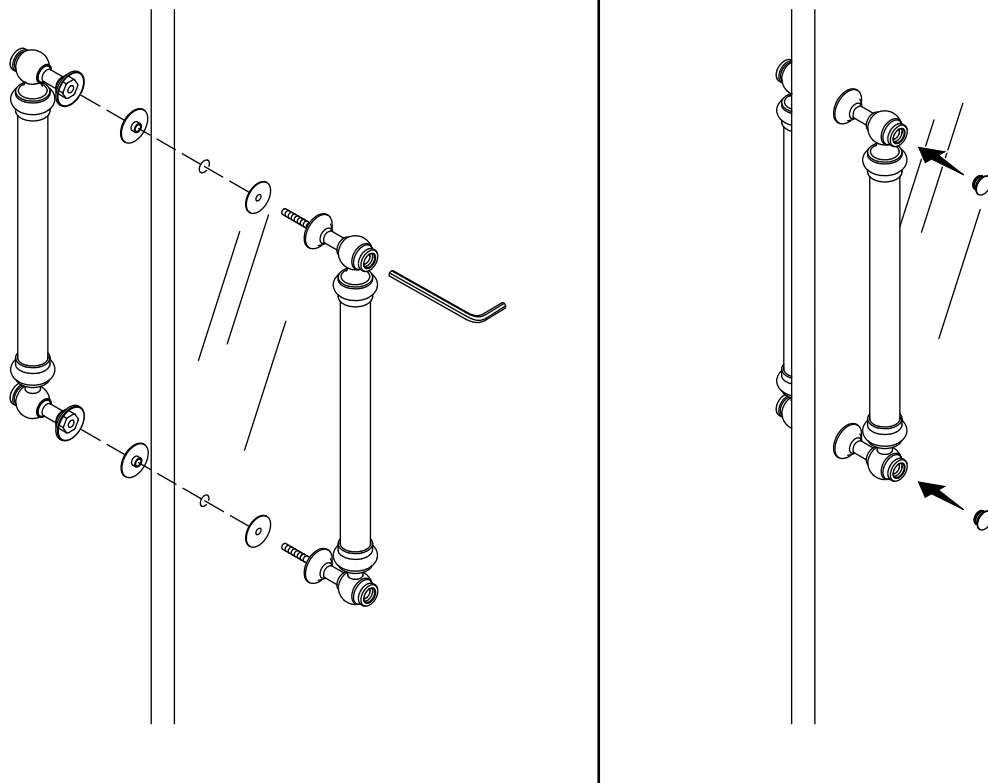


IMPORTANT! Si les montants anti-sauts ne sont pas réinstallés, le panneau coulissant pourrait tomber du rail.

- Glisser le butoir de porte sur le mur de la douche.
- Avec de l'aide, lever le panneau et poser les galets sur le linteau. Vérifier que le bas du panneau se trouve dans le canal du guide central.
- Enfiler les montants anti-saut dans les supports de galets. Si nécessaire, utiliser une clé à molette.
- Retirer les protecteurs de coins du bas du panneau coulissant.
- Vérifier que les joints d'étanchéité à bourrelet sont de la même longueur. Installer les joints d'étanchéité à bourrelet larges sur les deux bords verticaux du panneau coulissant.

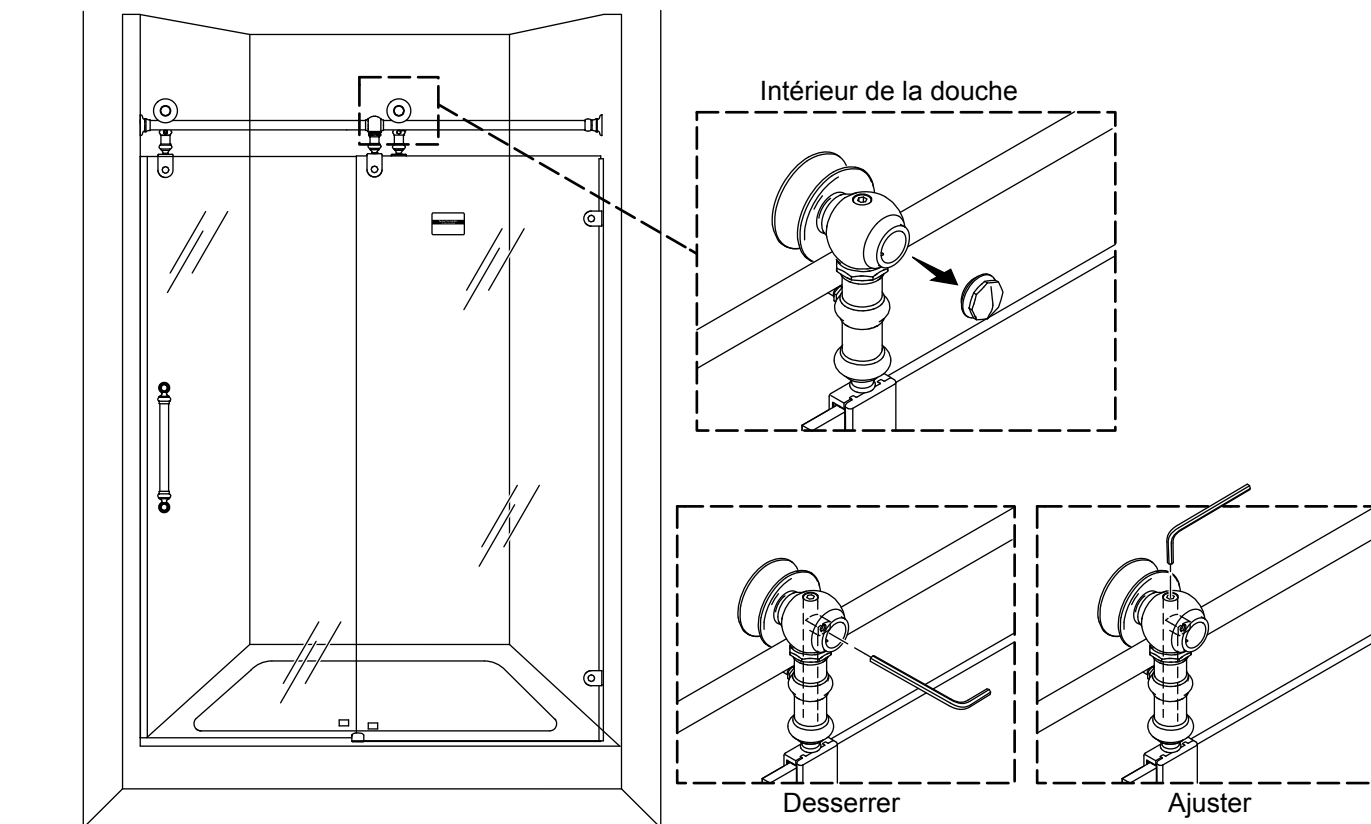
15. Installer les poignées

F
R



- Glisser les boulons par les trous dans la poignée extérieure (avec le logo « KOHLER »).
- Poser une bague sur chaque boulon.
- Glisser les boulons dans la poignée extérieure par les trous dans le panneau, en maintenant le logo « KOHLER » dans le bas.
- Placer une bague pardessus les boulons sur l'intérieur du panneau.
- Positionner la poignée intérieure pardessus les boulons et serrer les deux boulons avec une clé hexagonale de 5 mm.
- Enfoncer les capuchons sur les trous de la poignée extérieure.

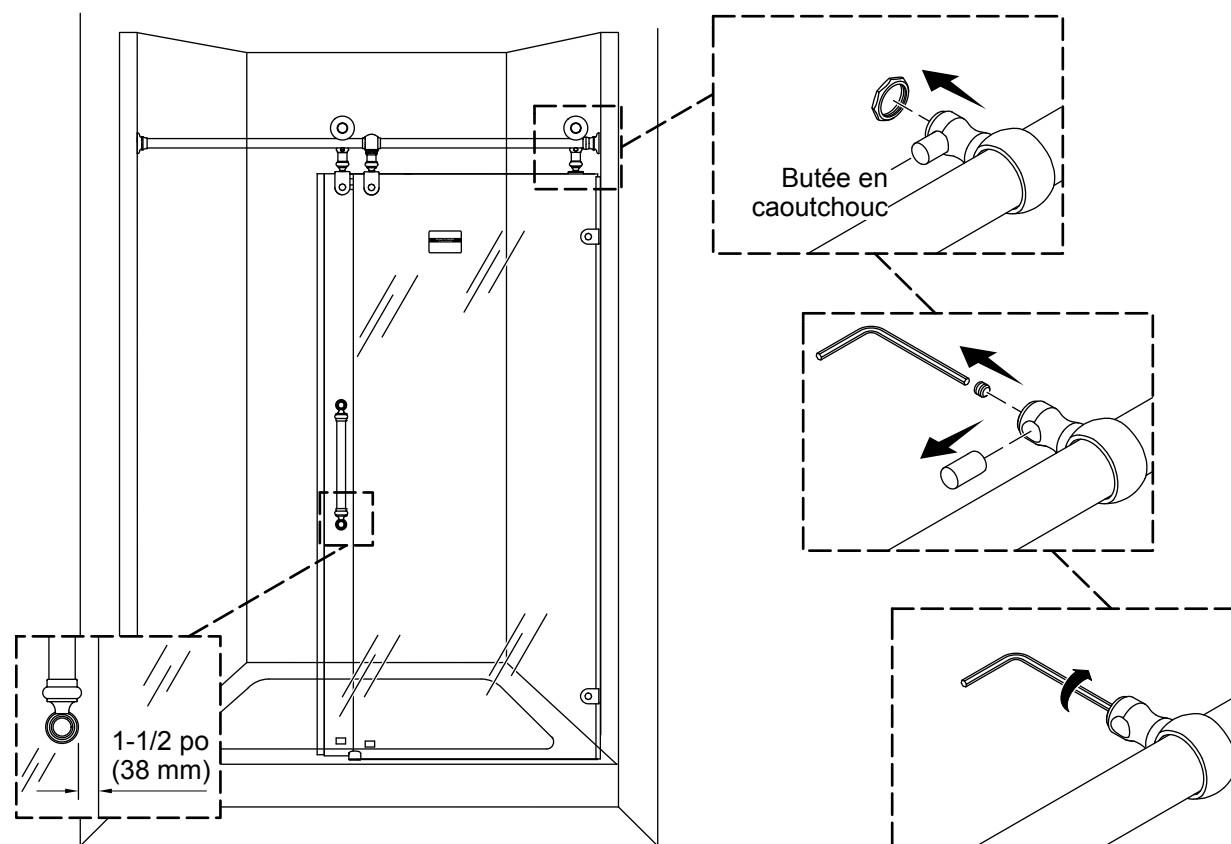
16. Ajuster le panneau coulissant



⚠ ATTENTION : Risque d'endommagement du produit. Le desserrage de la vis supérieure au-delà du point où le joint torique devient visible peut faire tomber le panneau en verre et le briser.

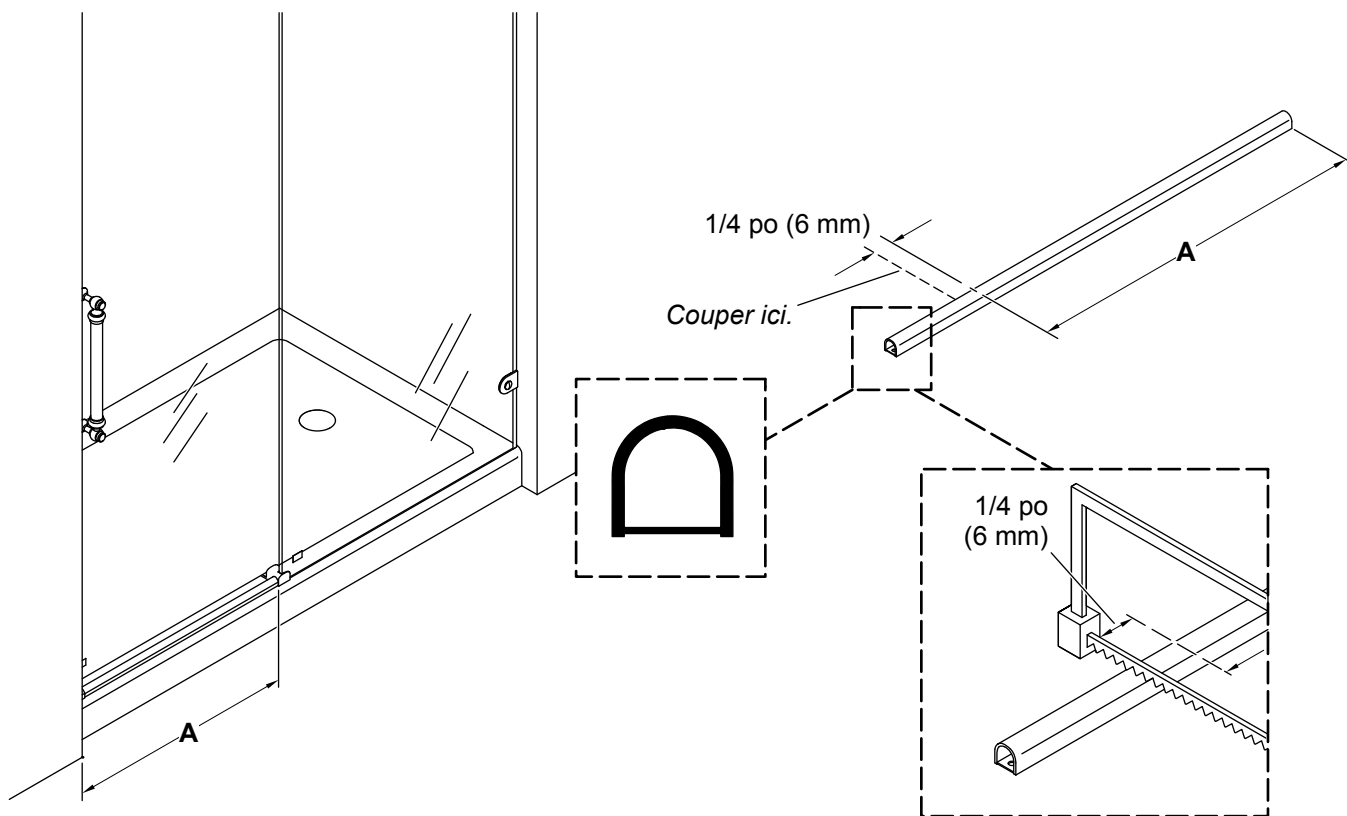
- Déplacer le panneau coulissant contre le mur. Si le joint d'étanchéité entre en contact avec le mur de la douche, passer à la section « Fixer le butoir de porte en place ».
- Désenfiler le cache-vis pour pouvoir accéder à la vis d'arrêt.
- À l'aide d'une clé hexagonale de 2,5 mm, desserrer la vis d'arrêt.
- À l'aide d'une clé hexagonale de 6 mm, tourner la vis sur le haut du support de galet pour ajuster le panneau vers le haut ou le bas.
- Ajuster le panneau coulissant de manière à ce que le joint d'étanchéité entre en contact avec le mur de la douche de manière uniforme le long de toute sa longueur.
- Lorsque le panneau coulissant est d'aplomb avec le mur de la douche, serrer la vis d'arrêt et réinstaller le cache-vis.

17. Fixer le butoir de porte en place



- Ouvrir le panneau coulissant de manière à ce que la poignée se trouve à une distance de 1-1/2 po (38 mm) du bord du panneau fixe. Vérifier que la poignée ne touche pas le bord du panneau fixe.
- À partir de l'intérieur de la douche, glisser le butoir de porte de manière à ce que le butoir en caoutchouc entre en contact avec le support de galet et adhérer en place avec du ruban adhésif.
- Retirer le capuchon décoratif sur le butoir de porte.
- À l'aide d'une clé hexagonale de 3 mm, retirer la vis d'arrêt et la butée en caoutchouc pour pouvoir accéder à la vis d'arrêt intérieure.
- À l'aide d'une clé hexagonale de 3 mm, serrer la vis d'arrêt intérieure jusqu'à ce que le butoir de la porte soit solidement en place.
- Réinstaller la butée en caoutchouc avec la partie plate tournée vers l'intérieur de la douche et fixer en place avec la vis d'arrêt.
- Réinstaller le capuchon décoratif sur le butoir de la porte.

18. Mesurer et couper le seuil



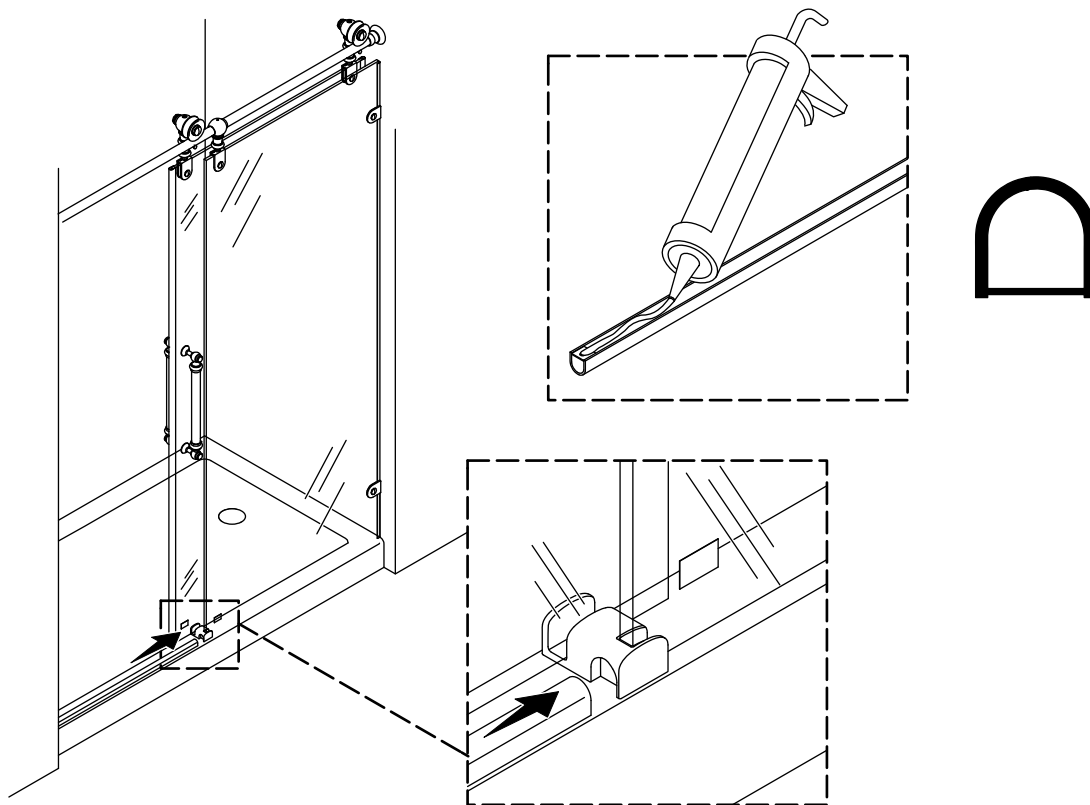
⚠ AVERTISSEMENT : Risque de blessures graves. Toujours porter des lunettes de sécurité pendant la découpe et le perçage.

- Mesurer la distance « A » entre le mur de la douche et le bord du guide central.
- Ajouter 1/4 po (6 mm) au « A » et mettre un deuxième repère sur le seuil comme sur l'illustration.

REMARQUE : Si la mesure « A » plus 1/4 po (6 mm) est supérieure à la longueur de seuil fournie, il ne sera pas nécessaire de couper le seuil.

- Couper le seuil au niveau du deuxième repère et limer tous les bords bruts.

19. Installer le seuil



REMARQUE : Pour faciliter l'installation, mettre le seuil à un angle lors de son insertion dans l'encoche du guide central.

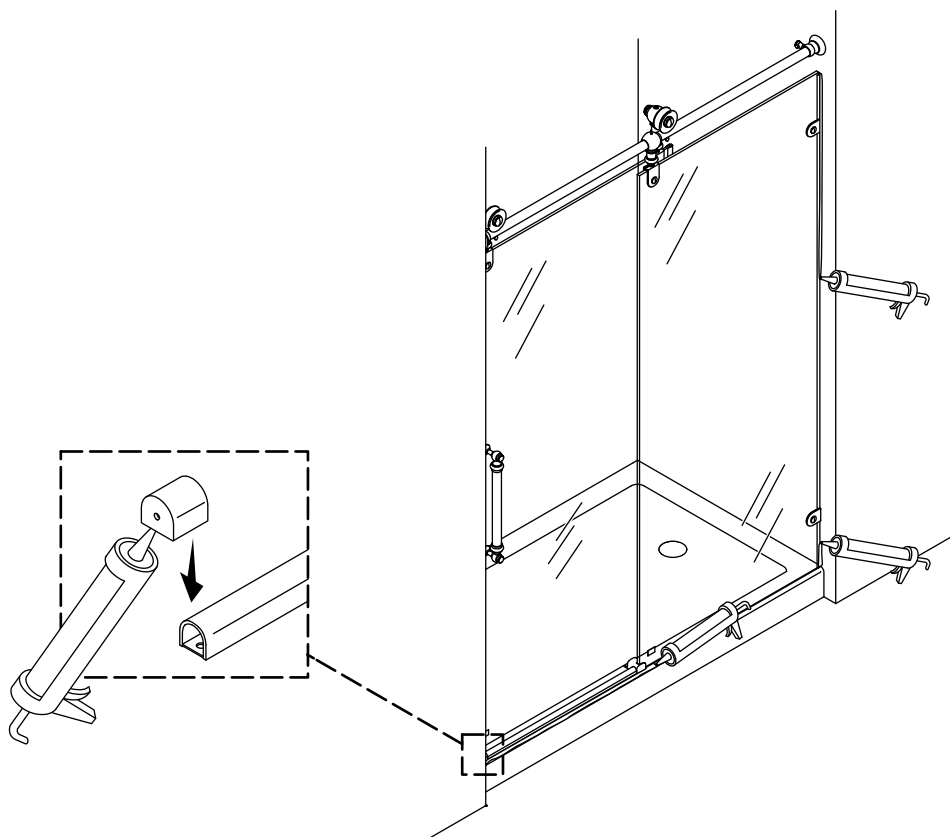
Adapter le seuil à sec pour vérifier qu'il s'adapte. Retirer le seuil.

REMARQUE : Le couvercle du seuil recouvrira tout écartement entre le seuil et le mur.

Appliquer du mastic d'étanchéité à la silicone à 100 % sur le dessous du seuil.

Glisser une extrémité du seuil dans l'encoche du guide central et aligner le seuil avec le bord avant du receveur.

20. Terminer l'installation



- Appliquer du mastic d'étanchéité à la silicone à 100 % sur le dessous du seuil.
- Poser le couvercle du seuil pardessus l'extrémité du seuil la plus proche du mur.
- Pousser le couvercle du seuil vers le mur si un écartement est présent.
- Appliquer du mastic à la silicone à 100 % le long des bords avant du couvercle du seuil, du seuil, du guide central, et du panneau fixe.
- Pousser le petit joint d'étanchéité à bourrelet sur le panneau fixe contre le mur afin d'éliminer tout écartement.
- Appliquer du mastic d'étanchéité à la silicone à 100 % sur le rebord vertical extérieur et le rebord vertical intérieur du panneau fixe.

Dépannage

Ce guide de dépannage est destiné à fournir une aide d'ordre général uniquement. Pour le service de garantie, s'adresser au concessionnaire local, au distributeur en gros, ou appeler le 1-800-4KOHLER.

Symptômes	Cause probable	Action recommandée
1. La porte fait du bruit lorsqu'elle est ouverte ou fermée.	<p>A. Le panneau coulissant est trop bas et racle sur le guide central ou la base de la douche.</p> <p>B. La garniture du guide central est installée incorrectement.</p> <p>C. Les galets sont usés et bruyants.</p> <p>D. Les vis d'arrêt du linteau ne sont pas serrées sur les plaques murales.</p> <p>E. La poignée est desserrée.</p>	<p>A. Ajuster les galets pour élever le verre.</p> <p>B. Réinstaller la garniture du guide central.</p> <p>C. Remplacer l'ensemble de galets.</p> <p>D. Desserrer les couvercles de la plaque murale et serrer les vis d'arrêt.</p> <p>E. Serrer la poignée.</p>
2. Il est difficile de déplacer la porte ou elle ne s'ouvre pas ou ne se ferme pas.	<p>A. Le panneau coulissant est trop bas et racle sur le guide central ou la base de la douche.</p> <p>B. La garniture du guide central est installée incorrectement.</p> <p>C. Les galets sont usés.</p>	<p>A. Ajuster les galets pour élever le verre.</p> <p>B. Réinstaller la garniture du guide central.</p> <p>C. Remplacer les ensembles de galets.</p>
3. Le panneau coulissant ne reste pas fermé.	<p>A. Le linteau n'est pas à niveau.</p> <p>B. Une fermeture magnétique pourrait être nécessaire.</p>	<p>A. Mettre le linteau à niveau. Cela pourrait exiger le perçage de nouveaux trous dans le mur de la douche.</p> <p>B. S'adresser au centre de services à la clientèle pour une fermeture optionnelle.</p>
4. Fuites d'eau.	<p>A. Des fuites d'eau sont présentes sous le panneau fixe.</p>	<p>A. Appliquer du mastic à la silicone à 100 % sur le rebord inférieur extérieur du panneau fixe. Laisser prendre le mastic d'étanchéité selon les instructions du fabricant avant d'utiliser la douche.</p> <p>B. Vérifier que le panneau fixe repose sur le rebord du receveur sur toute la longueur du panneau fixe. Si le coin à proximité du guide central est relevé, la douche est excessivement hors d'aplomb. Caler les pinces murales pour maintenir le panneau fixe bien serré contre le rebord du receveur.</p>

Symptômes	Cause probable	Action recommandée
5. Fuites d'eau.	A. Fuites d'eau entre le panneau fixe et le mur.	<p>A. Vérifier que le joint d'étanchéité à bourrelet est installé et que de la silicone est appliquée.</p> <p>B. Glisser le joint d'étanchéité à bourrelet de manière à ce qu'il touche le mur. Appliquer de la silicone entre le joint d'étanchéité et le mur sur l'extérieur et l'intérieur.</p> <p>C. Le mur en question pourrait être excessivement hors d'aplomb. S'adresser au centre de services à la clientèle pour obtenir un joint d'étanchéité à bourrelet plus large. L'installation du joint d'étanchéité à bourrelet plus large pourrait exiger un démontage complet de la porte.</p>
6. Fuites d'eau.	A. Fuites d'eau entre le panneau coulissant et le mur.	<p>A. Ajuster le panneau mobile de manière à ce qu'il n'y ait pas d'écartement entre le joint d'étanchéité à bourrelet et le mur de la douche.</p> <p>B. Fermer le panneau coulissant et glisser le joint d'étanchéité à bourrelet de manière à ce qu'il entre en contact avec le mur de la douche sur toute la longueur du panneau.</p> <p>C. S'adresser au centre de services à la clientèle pour une fermeture optionnelle.</p>
7. Fuites d'eau.	A. Fuites d'eau entre le panneau coulissant et le panneau fixe.	A. S'adresser au centre de services à la clientèle pour obtenir deux joints d'étanchéité à ailettes. Installer un joint d'étanchéité à ailettes sur le panneau fixe et sur le panneau mobile.
8. Fuites d'eau.	A. Fuites d'eau sous le panneau coulissant.	<p>A. Abaisser le panneau coulissant conformément à la section « Ajuster le panneau coulissant ».</p> <p>B. S'adresser au centre de services à la clientèle pour obtenir des joints d'étanchéité pour confinement d'eau de meilleure qualité.</p>
9. La poignée frappe le panneau fixe lorsque la porte est ouverte.	A. Le butoir de porte n'est pas installé correctement.	A. Ajuster l'emplacement du butoir de porte selon la section « Fixer le butoir de porte en place ».
10. Le panneau fixe ballote.	<p>A. Les supports muraux sont desserrés.</p> <p>B. Les joints des supports muraux sont manquants.</p>	<p>A. Serrer les supports muraux.</p> <p>B. Retirer les supports muraux et installer les joints.</p>

Instrucciones de instalación

Puerta corrediza de ducha

ES

Gracias por elegir productos KOHLER

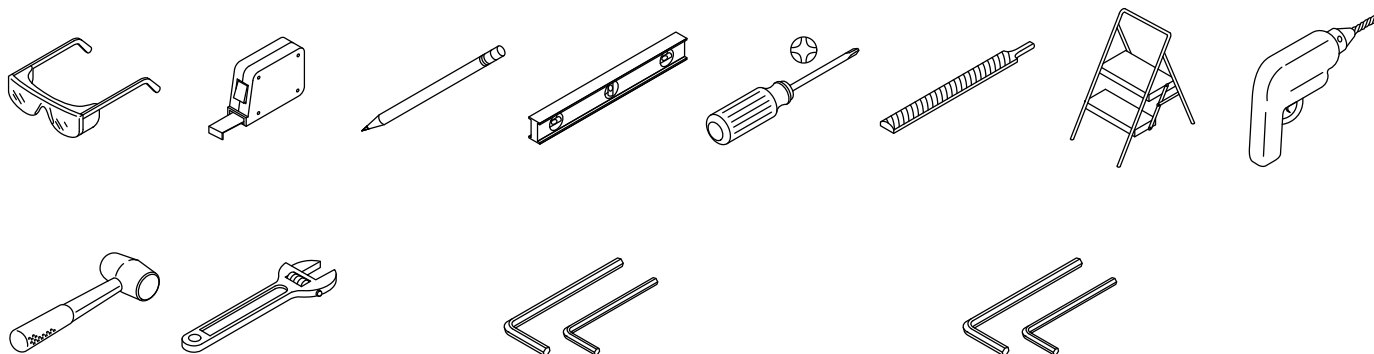
¿Necesita ayuda? Comuníquese con nuestro Centro de Atención al Cliente.

- EE. UU./Canadá: 1-800-4KOHLER (1-800-456-4537) México: 001-800-456-4537
- Piezas de repuesto: kohler.com/serviceparts
- Cuidado y limpieza: kohler.com/clean
- Patentes: kohlercompany.com/patents

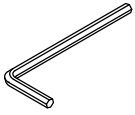
Garantía

A este producto lo cubre la **garantía limitada de un año de KOHLER®**, que puede consultarse en kohler.com/warranty. Si lo desea, solicite al Centro de Atención al Cliente una copia impresa de los términos de la garantía.

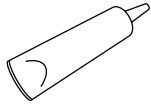
Herramientas y materiales



Llaves hexagonales de 2,5 mm y 3 mm Llaves hexagonales de 4 mm y 5 mm



Llave hexagonal 6 mm Broca de 1/4 pulg y broca para mampostería de 1/4 pulg para azulejo Cinta de pintor









Sellador 100 % de silicona

Más:

- Tronzadora para metales o sierra circular
- Broca para destornillador #2 Philips de 3" o más larga (se recomienda)
- Lona

Antes de comenzar

- ES**
-  **AVISO: Riesgo de lesiones graves.** Daños anteriores a la instalación pueden ocasionar que el vidrio se quiebre en pedazos. Antes de hacer la instalación, revise el vidrio y todas las piezas para ver si han sufrido daños.
 -  **AVISO: Riesgo de lesiones graves.** Si la instalación se hace de manera incorrecta, el vidrio podría quebrarse en pedazos. Siga todas las instrucciones de instalación.
 -  **AVISO: Riesgo de lesiones graves.** No intente cortar el vidrio templado. El vidrio templado se quiebra en pedazos al tratar de cortarlo.
 -  **AVISO: Riesgo de lesiones graves.** El panel de la puerta y los paneles laterales de la ducha podrían quebrarse en pedazos. Revise con regularidad el vidrio y todas las piezas para ver si han sufrido daños, si algo falta o si hay piezas sueltas.
 -  **AVISO: Riesgo de lesiones graves.** Siempre use anteojos de seguridad al cortar y al taladrar.
 -  **PRECAUCIÓN: Riesgo de lesiones personales.** El vidrio templado no debe hacer contacto con superficies duras, pues podría quebrarse en pedazos. No toque el borde de un panel de vidrio templado con herramientas ni con ningún otro objeto duro.

¡IMPORTANTE! Deje este manual para el usuario final. Lea todas las instrucciones antes de instalar o usar este producto.

¡IMPORTANTE! Esta puerta está diseñada para paredes que estén a menos de 3/8" (10 mm) de estar a plomo. Verifique que el área a la que se vaya a fijar la puerta esté a menos de 3/8" (10 mm) de estar a plomo. Es posible que la puerta no funcione correctamente si la pared está fuera de plomo más de 3/8" (10 mm).

¡IMPORTANTE! No instale esta puerta sobre una base de ducha de hierro fundido.

¡IMPORTANTE! No retire los protectores esquineros de los paneles de puerta, mientras no se hayan instalado estos paneles.

Cubra el desagüe con cinta de enmascarar para evitar perder piezas pequeñas.

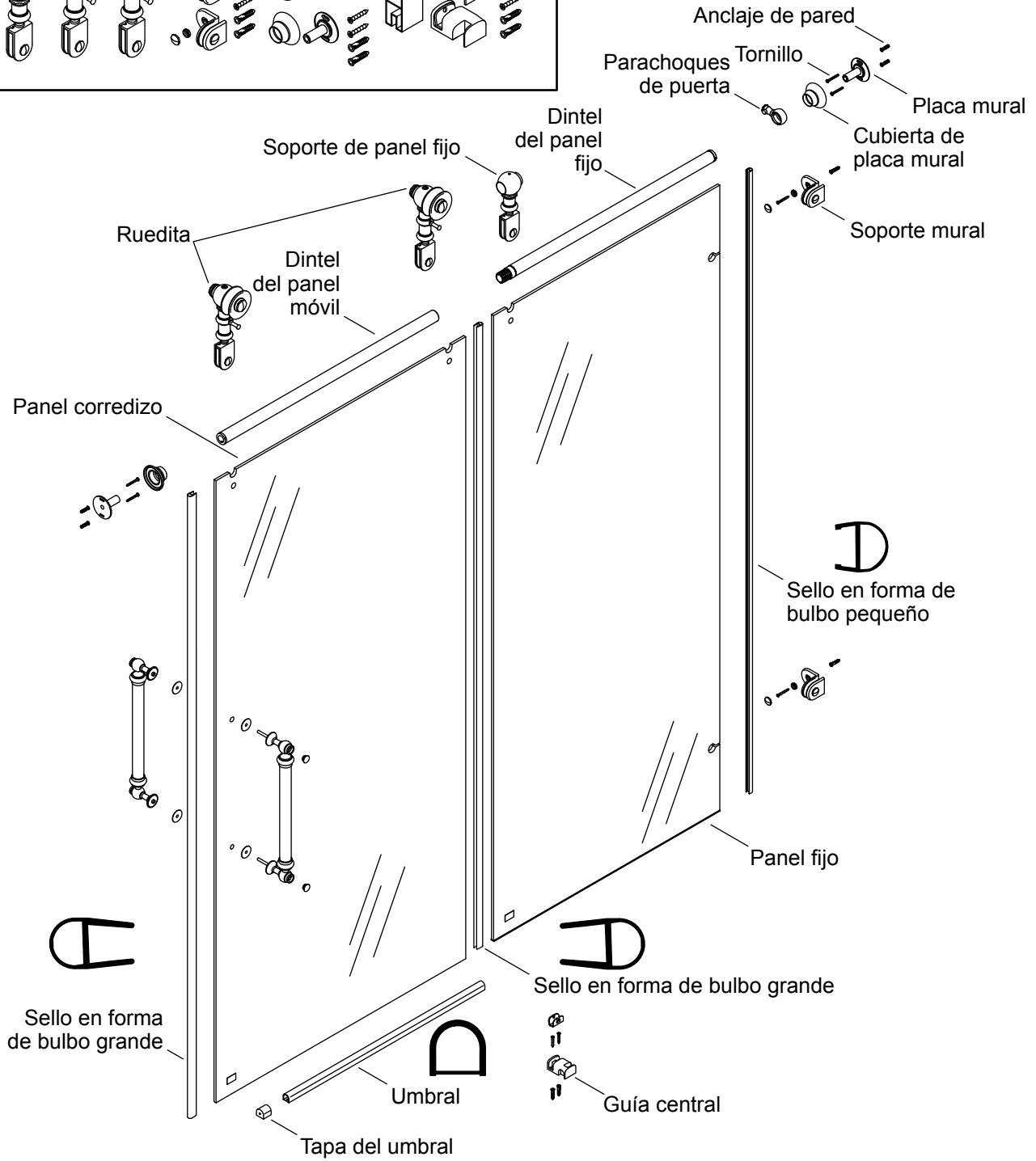
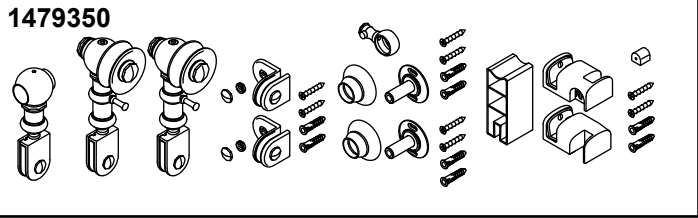
Identifique todas las piezas antes de la instalación. Revise que no estén dañadas.

Siga las instrucciones de aplicación y de tiempo de secado del fabricante del sellador de silicona.

Se requieren 2 personas para hacer esta instalación.

El panel fijo debe ser instalado en el lado opuesto de la cabeza de ducha.

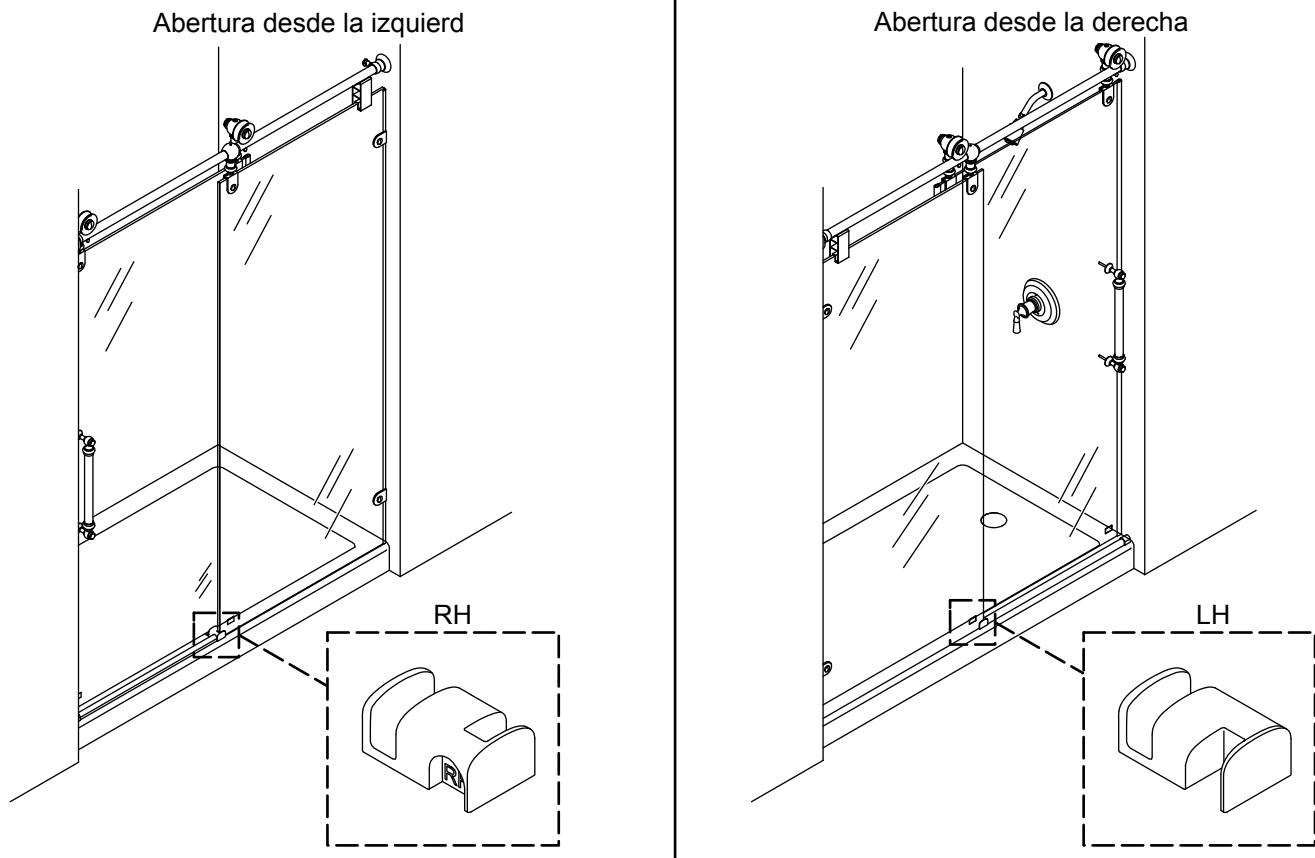
Identificación de piezas



E
S

1. Determine la configuración de la puerta

ES



¡IMPORTANTE! En los pasos de instalación se muestra una configuración de abertura desde la izquierda, a menos que se indique lo contrario.

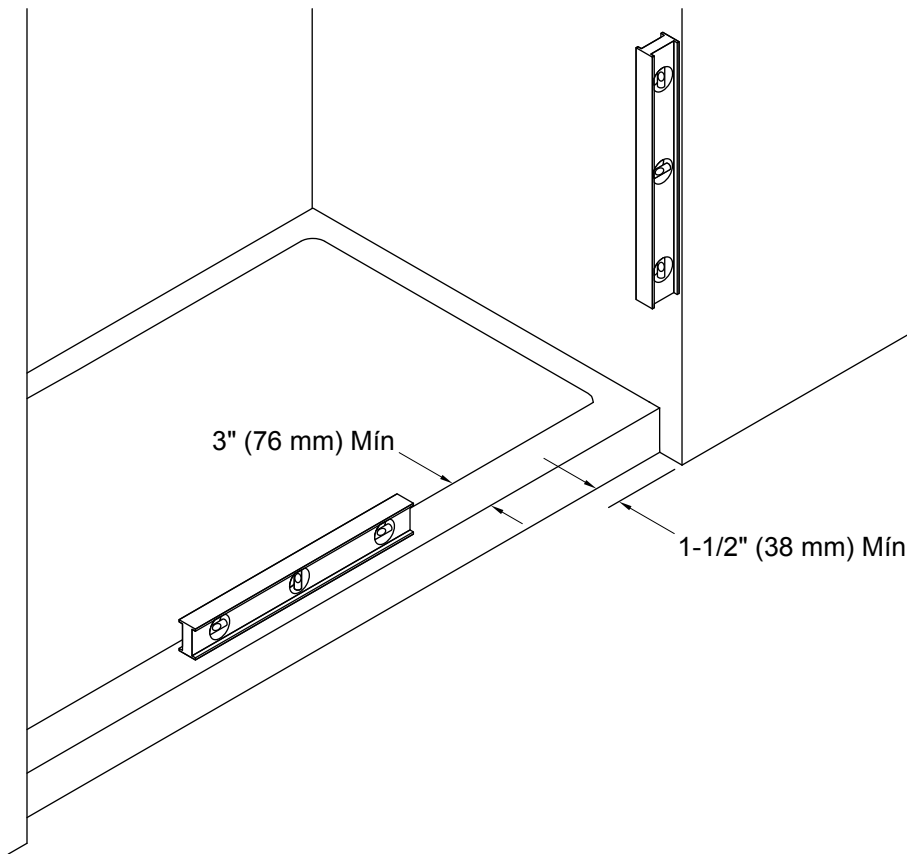
NOTA: La guía central con las letras "RH" se instala en la configuración de abertura desde la izquierda. La guía central con las letras "LH" se instala en la configuración de abertura desde la derecha.

Determine si la puerta va a ser instalada en una configuración de abertura desde la derecha o desde la izquierda.

Se recomienda instalar el panel corredizo en el mismo extremo de la ducha donde se encuentra la cabeza de ducha.

Elija la tapa de guía central que corresponda a la configuración deseada de la puerta.

2. Confirme la compatibilidad del reborde y las paredes



¡IMPORTANTE! Para asegurar la alineación y el funcionamiento correctos de la puerta, confirme que la base de la ducha y las paredes cumplan los siguientes requisitos. No instale la puerta si no se cumplen estos requisitos.

¡IMPORTANTE! No instale esta puerta sobre una base de ducha de hierro fundido.

¡IMPORTANTE! No instale esta puerta si la intersección del reborde de la bandeja receptora y la pared de la ducha está redondeada.

La puerta 701724-10L ha sido diseñada para ser instalada en aberturas para ducha entre 58-1/4 pulg (1480 mm) y 59-1/4 pulg (1505 mm) de ancho.

La puerta 701725-10L ha sido diseñada para ser instalada en aberturas para ducha entre 57-1/4 pulg (1454 mm) y 58-1/4 pulg (1480 mm) de ancho.

La puerta 701726-10L ha sido diseñada para ser instalada en aberturas para ducha entre 46 1/4 pulg (1175 mm) y 47 1/4 pulg (1200 mm) de ancho.

La puerta 701727-10L ha sido diseñada para ser instalada en aberturas para ducha entre 45 1/4 pulg (1149 mm) y 46 1/4 pulg (1175 mm) de ancho.

La abertura vertical debe ser de un mínimo de 83" (2108 mm).

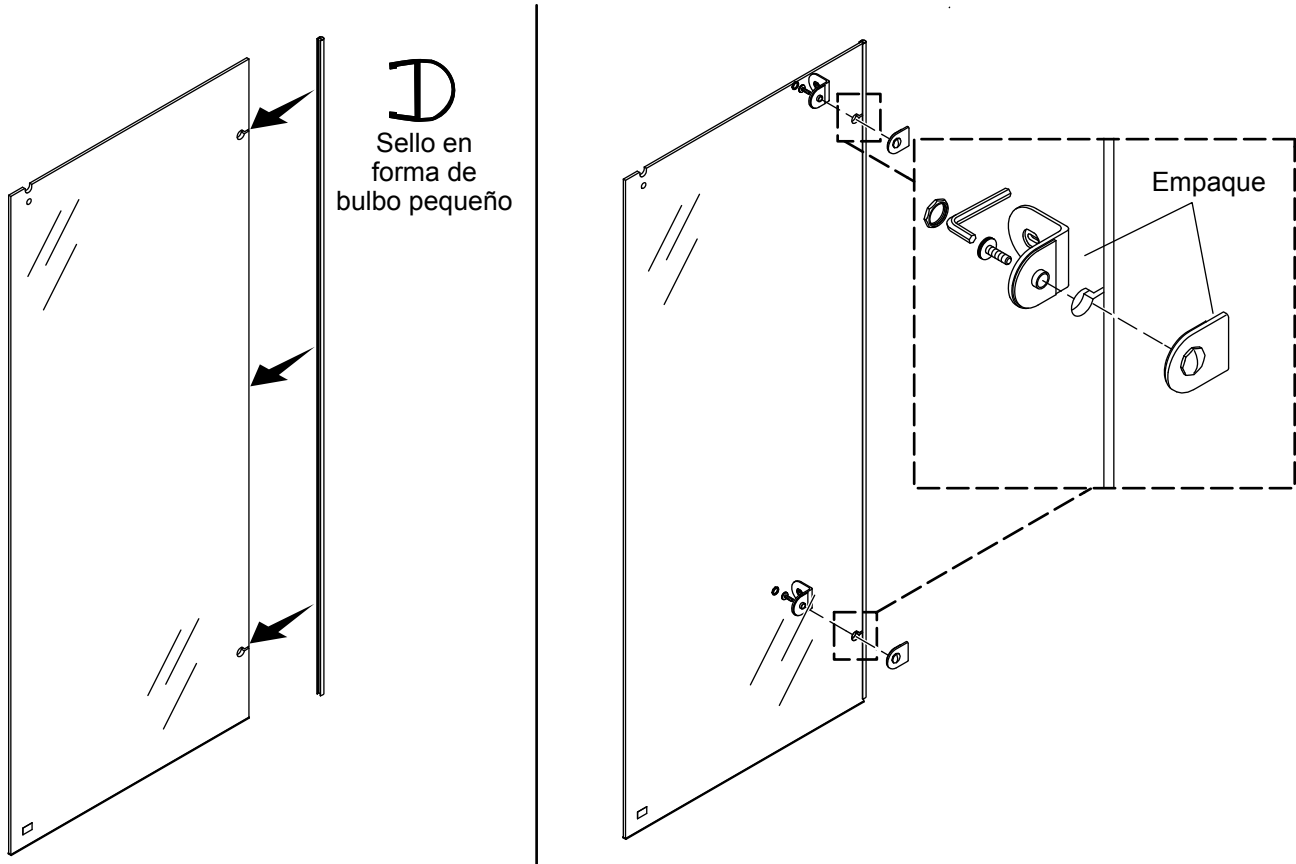
Debe haber por lo menos 3" (76 mm) de superficie plana en la base de la ducha.

NOTA: Si el reborde de la base de la ducha tiene menos de 3-1/2" (89 mm) de superficie plana para la instalación, entonces debe haber por lo menos 1-1/2" (38 mm) de superficie plana de pared que sobresalga del borde delantero del reborde de la ducha.

Las paredes deben estar a menos de 3/8" (10 mm) de estar a plomo.

La base de la ducha debe estar nivelada entre las paredes.

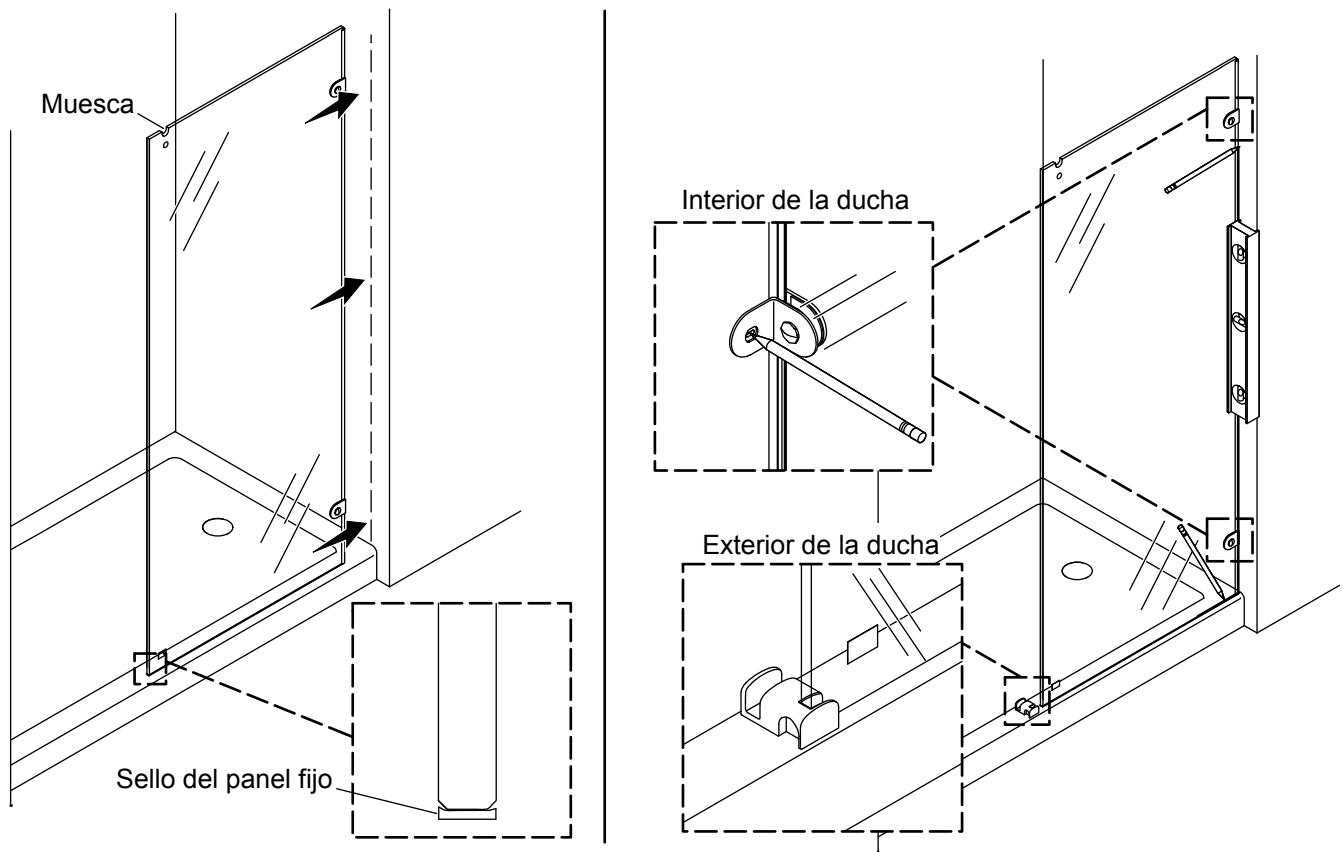
3. Ensamble el panel fijo



⚠ PRECAUCIÓN: Riesgo de lesiones personales. El vidrio templado no debe hacer contacto con superficies duras, pues podría quebrarse en pedazos. No toque el borde de un panel de vidrio templado con herramientas ni con ningún otro objeto duro.

- Retire los protectores esquineros de la parte superior del panel fijo.
- Instale el sello en forma de bulbo pequeño en el borde del panel que tiene las ranuras.
- Retire la tapa decorativa de cada uno de los soportes de pared.
- Con una llave de apriete hexagonal de 4 mm, desensamble los soportes de pared.
- Antes de fijar el panel fijo, verifique que los empaques de plástico estén instalados en los soportes de pared.
- Con una llave de apriete hexagonal de 4 mm, instale los soportes de pared (sin apretarlos demasiado) en el panel fijo.

4. Marque la pared



¡IMPORTANTE! Verifique que el sello del panel fijo instalado con anticipación esté en la parte inferior del panel fijo.

NOTA: La muesca queda hacia la parte superior y central de la ducha.

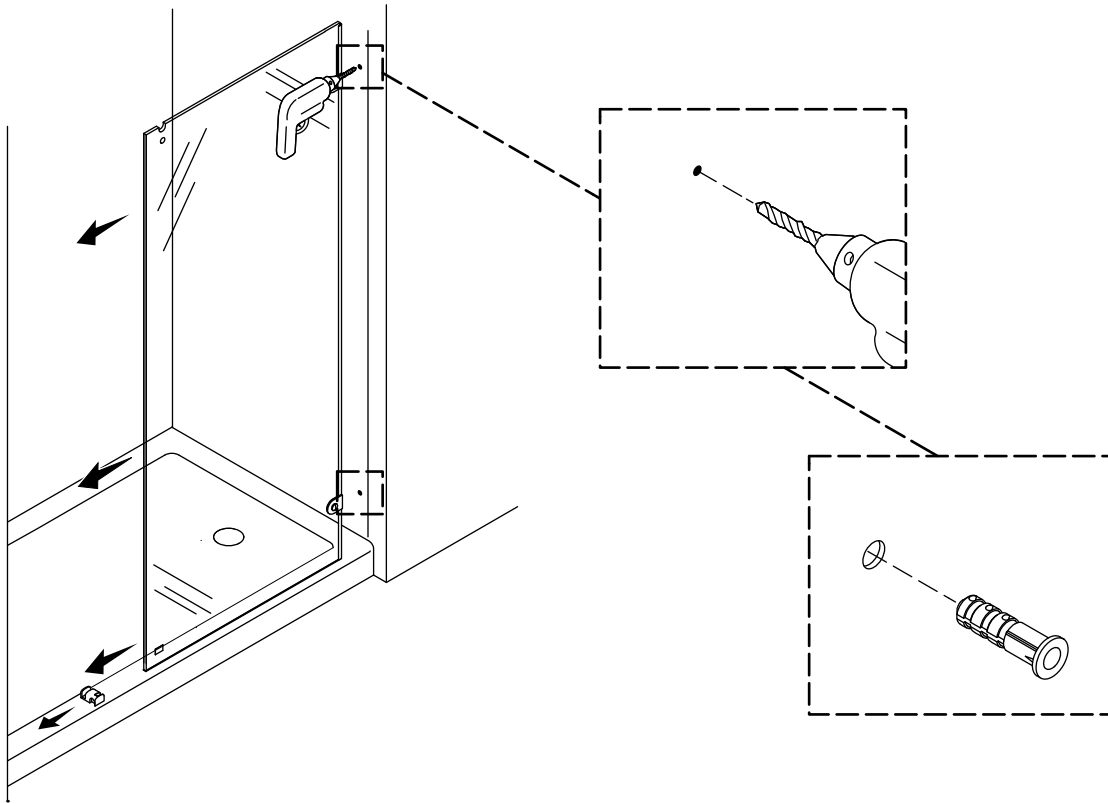
NOTA: Haga el siguiente procedimiento entre 2 personas.

- Coloque el panel fijo en el reborde de la ducha.
- Seleccione la guía central correcta de acuerdo a la sección "Determine la configuración de la puerta", y deslice la guía central a la esquina inferior del panel fijo.
- Mueva la guía central y el panel fijo de forma que la guía central quede pareja con el borde exterior del reborde de la base de la ducha.

NOTA: Si las paredes de la ducha no sobresalen de la base de la ducha un mínimo de 1-1/2" (38 mm), entonces la base de la ducha debe tener un mínimo de 3-1/2" (89 mm) de superficie plana. Alinee la guía central a 1" (25 mm) del borde exterior de la base de la ducha en este caso.

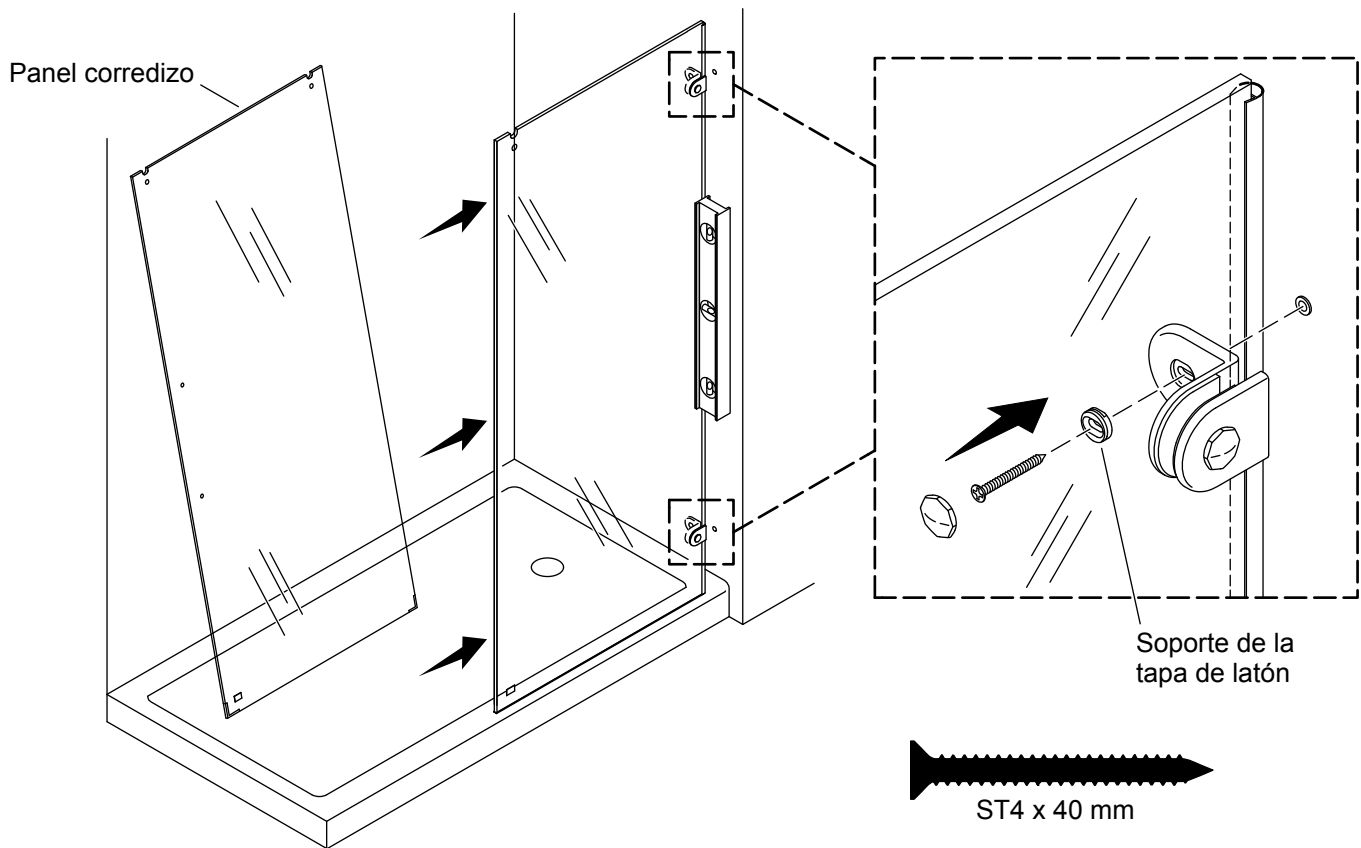
- Deslice el panel a que quede totalmente en contra de la pared, y verifique que los sopostes del panel fijo hagan contacto contra la pared.
- Apriete por completo los sopostes del panel fijo en el panel fijo.
- Con un nivel coloque el panel fijo a plomo.
- Marque el lugar del panel fijo en el reborde de la ducha y en la pared.
- Marque el lugar de los orificios en los sopostes del panel fijo.

5. Taladre los orificios para los soportes murales



- Retire la guía central y el panel fijo de la base de ducha.
- Taladre un orificio de 1/4 pulg en cada lugar marcado. En paredes de azulejo use una broca para mampostería.
- Instale los anclajes de pared que se incluyen. De ser necesario, dé golpes ligeros a los anclajes hasta que queden al ras contra la pared.

6. Instale el panel fijo



NOTA: Los orificios en el vidrio del panel fijo permiten un margen de movimiento de 3/8" (10 mm) para los soportes del panel fijo.

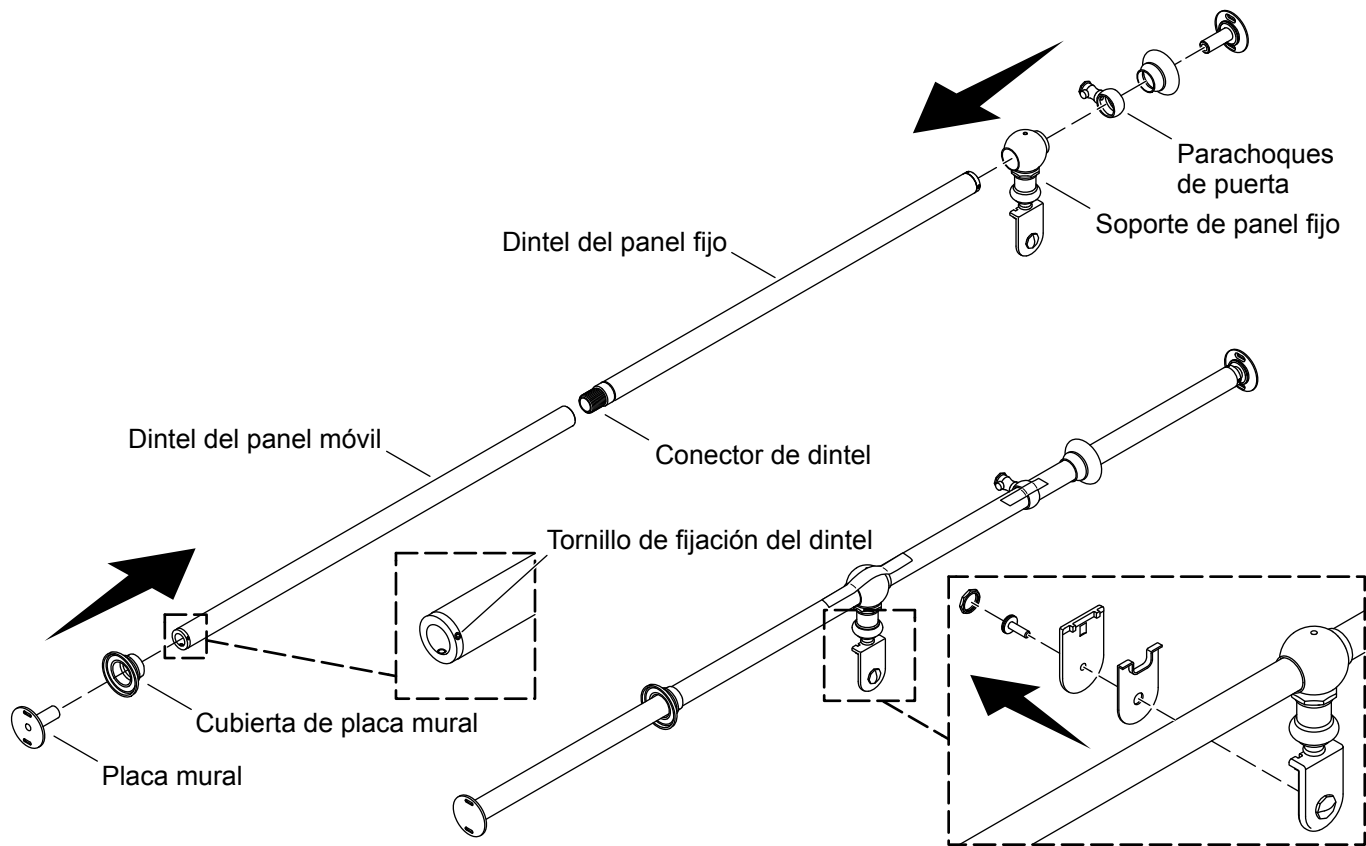
- Con ayuda, mueva el panel corredizo por completo hacia el área de la ducha.
- Oriente el panel corredizo con los orificios en la parte superior y los orificios para manija hacia la cabeza de ducha.

NOTA: No retire los protectores esquineros del panel corredizo.

NOTA: El panel corredizo permanece en el área de la ducha hasta llegar a la sección "Instale el panel corredizo".

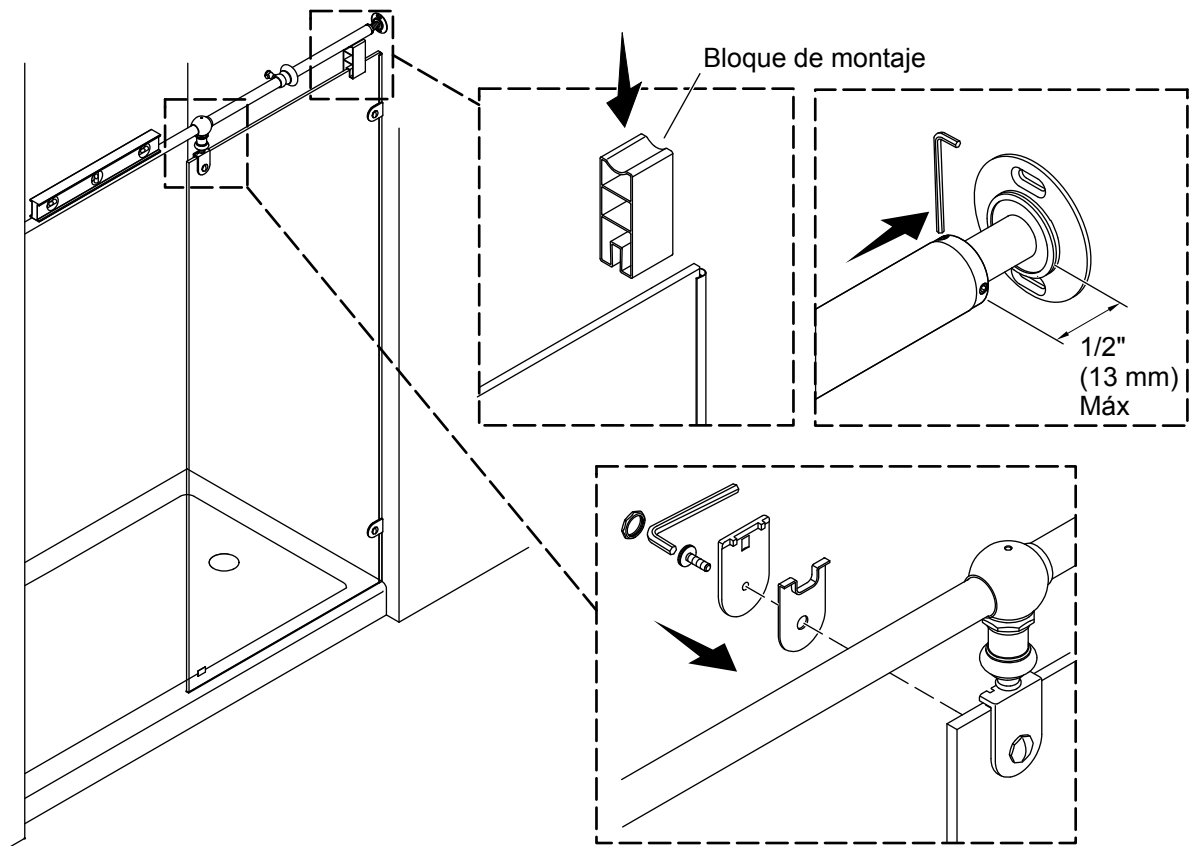
- Coloque el panel fijo en el reborde de la base de la ducha, en la posición previamente marcada.
- Verifique que la parte inferior del panel fijo descansa por completo en la base de la ducha.
- De ser necesario, afloje los soportes de pared y empuje los soportes por completo contra la pared. Vuelva a apretar los soportes de pared.
- Coloque un soporte de tapa de latón sobre un tornillo ST4 x 40 mm (1-1/2") de forma que la cabeza del tornillo quede empotrado en el soporte de tapa de latón y fije cada uno de los soportes murales a la pared.
- Alinee la parte inferior del panel fijo con la línea previamente marcada, y verifique que el panel fijo esté a plomo. Si el panel fijo no está a plomo, afloje los soportes de pared y ajuste lo necesario.
- Instale una tapa decorativa en el soporte de la tapa de latón.
- Deslice el sello en forma de bulbo a la pared si hay alguna separación entre el panel fijo y la pared.

7. Ensamble el dintel



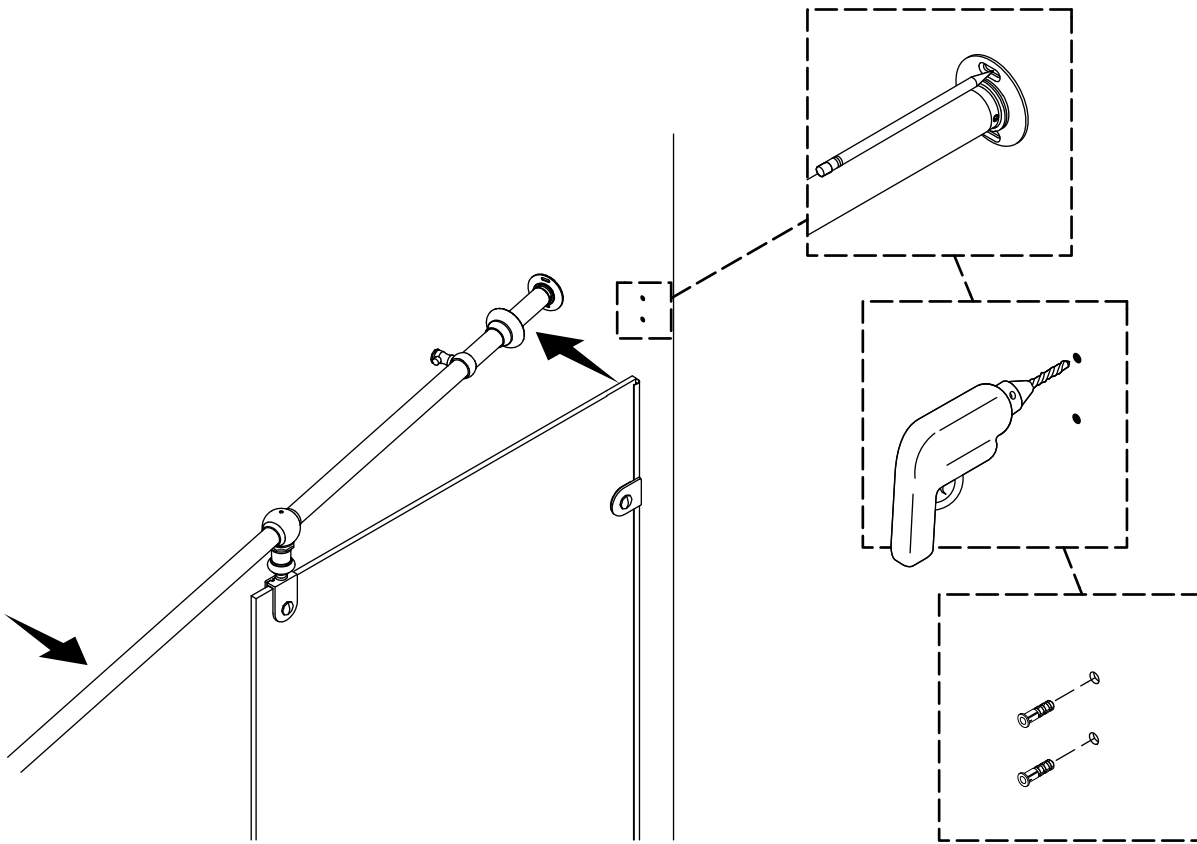
- Para facilitar la identificación durante la instalación, coloque un trozo de cinta para pintor en el dintel del panel fijo. El dintel del panel fijo quedará colocado sobre el panel fijo.
- Atornille juntos el dintel del panel móvil y el dintel del panel fijo.
- Retire la tapa decorativa del soporte del panel fijo.
- Con una llave de apriete hexagonal de 4 mm, desensamble el soporte del panel fijo.
- Deslice el soporte del panel fijo en el dintel, y colóquelo donde los 2 tubos se unen. Con cinta de enmascarar pegue el soporte del panel fijo en su lugar.
- Deslice el parachoques de la puerta con el tope de goma apuntando hacia el centro del dintel, y péguelo en su lugar con cinta para pintor.
- Instale una cubierta de placa mural y una placa mural en cada uno de los extremos del dintel. Verifique que todas las placas murales estén al ras con los extremos del dintel.
- Con una llave de apriete hexagonal de 2.5 mm, Apriete uno de los 3 tornillos de fijación a cada extremo del dintel para evitar que las placas murales se caigan del dintel.

8. Instale el dintel



- Coloque el bloque de montaje en la parte superior del panel fijo, cerca de la pared.
- Levante el ensamblaje del dintel y alinee el soporte del panel fijo con el orificio y la muesca en el panel fijo.
- Retire la cinta adhesiva del soporte del panel fijo.
- Con una llave de apriete hexagonal de 4 mm, conecte el soporte del panel fijo al panel fijo. Verifique que el dintel quede centrado entre las paredes.
- Con una llave de apriete hexagonal de 2,5 mm, afloje los tornillos de fijación del dintel y deslice las placas murales hacia afuera de forma que hagan contacto con las paredes.
- Verifique que el dintel esté centrado entre las paredes y que las placas murales no sobresalgan más de 1/2 pulg de cada uno de los lados en el dintel.
- Rote las placas murales de forma que los orificios queden en la parte superior y en la inferior.
- Para mantener las placas murales en su lugar, apriete uno de los tornillos de fijación en cada extremo del dintel.
- Alinee el dintel de forma que quede paralelo horizontal y verticalmente con respecto al panel fijo a todo lo largo del dintel.
- Nivele el dintel.

9. Marque los orificios para las placas murales

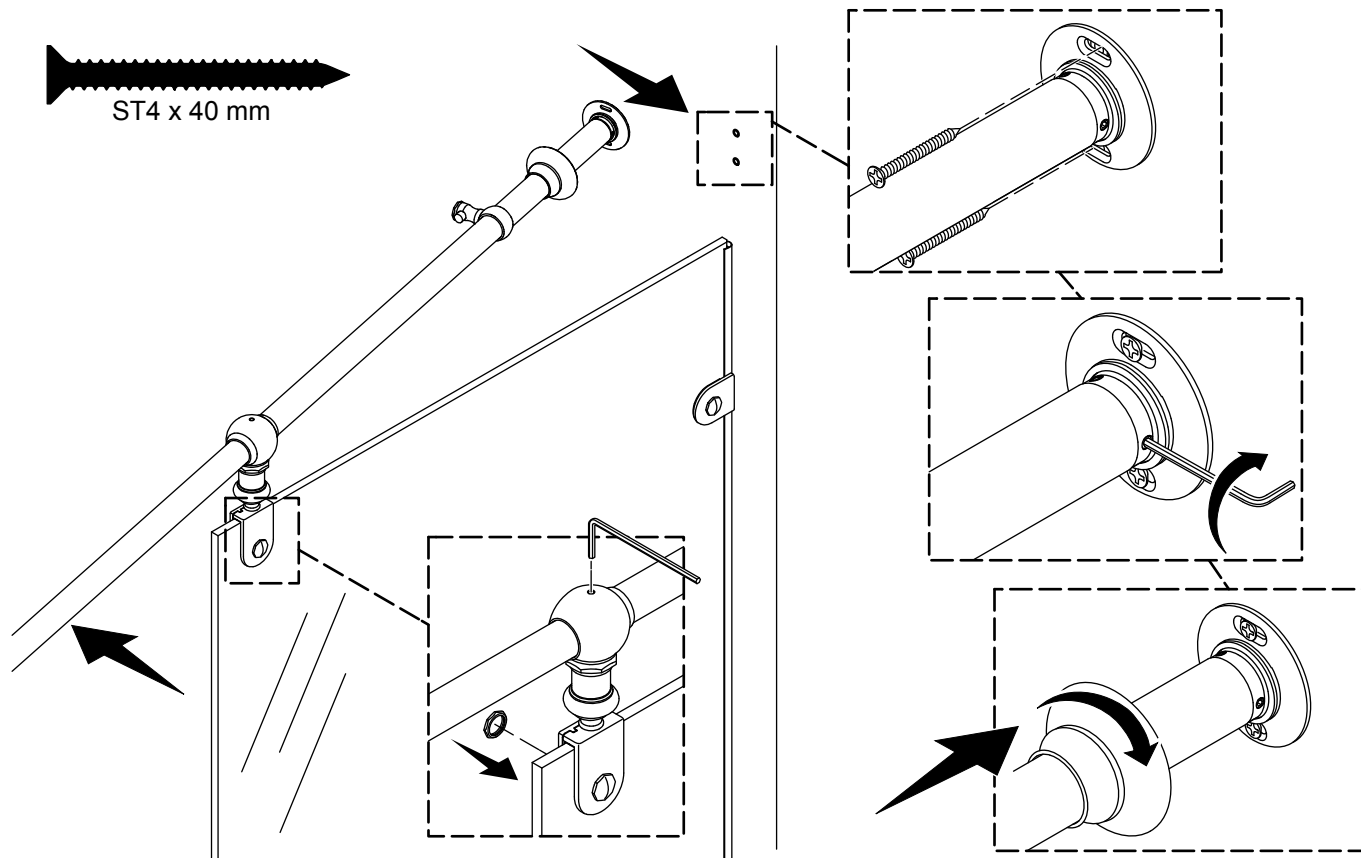


¡IMPORTANTE! Los orificios en las placas murales deben quedar en la parte superior y en la parte inferior de las placas murales cuando quedan instaladas.

- Verifique que la parte inferior del panel fijo esté colocado en la línea marcada anteriormente en la base de la ducha.
- Marque el lugar de los orificios para las placas murales en las paredes de la ducha.
- Rote ligeramente el dintel, de forma que no estorbe al taladrar los orificios para las placas murales.
- Retire el bloque de montaje del panel fijo.
- Taladre un orificio de 1/4 pulg en cada lugar marcado. En paredes de azulejo use una broca para mampostería.
- Instale los anclajes de pared que se incluyen. De ser necesario, dé golpes ligeros a los anclajes hasta que queden al ras contra la pared.

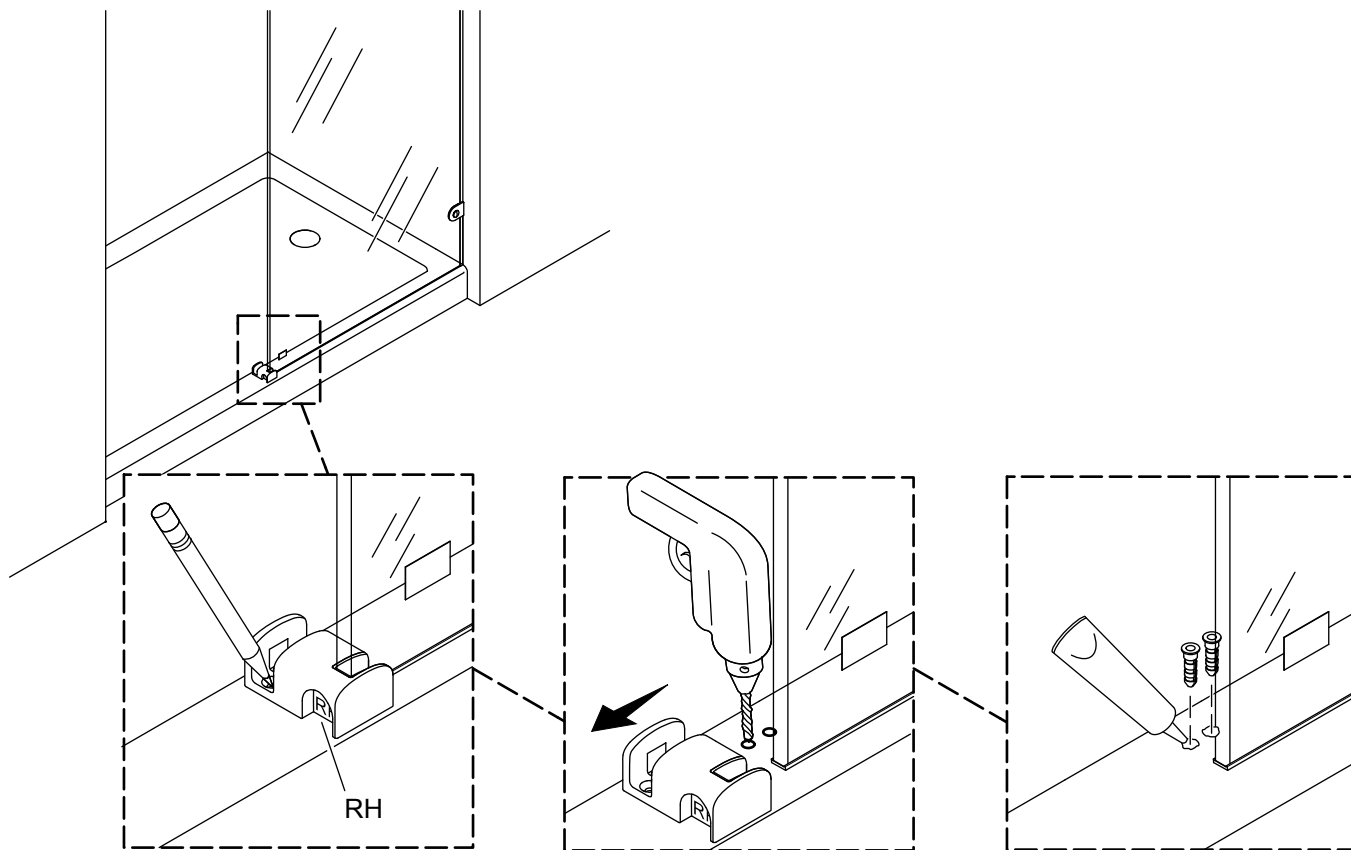
10. Fije el dintel

ES



- Pivotee el dintel de forma que las placas murales queden alineadas con los orificios taladrados.
- Verifique que las placas murales queden apretadas contra la pared.
- Con un destornillador largo, fije cada una de las placas murales a la pared con 2 tornillos ST4 x 40 mm (1-1/2").
- Centre el dintel entre las placas murales, y apriete todos los tornillos de fijación con una llave de apriete hexagonal de 2,5 mm.
- Atornille una cubierta en cada una de las placas murales.
- Con una llave de apriete hexagonal de 2,5 mm, apriete el tornillo de fijación superior del soporte de panel fijo.
- Coloque una tapa decorativa sobre el tornillo del soporte del panel fijo.

11. Prepare la guía central



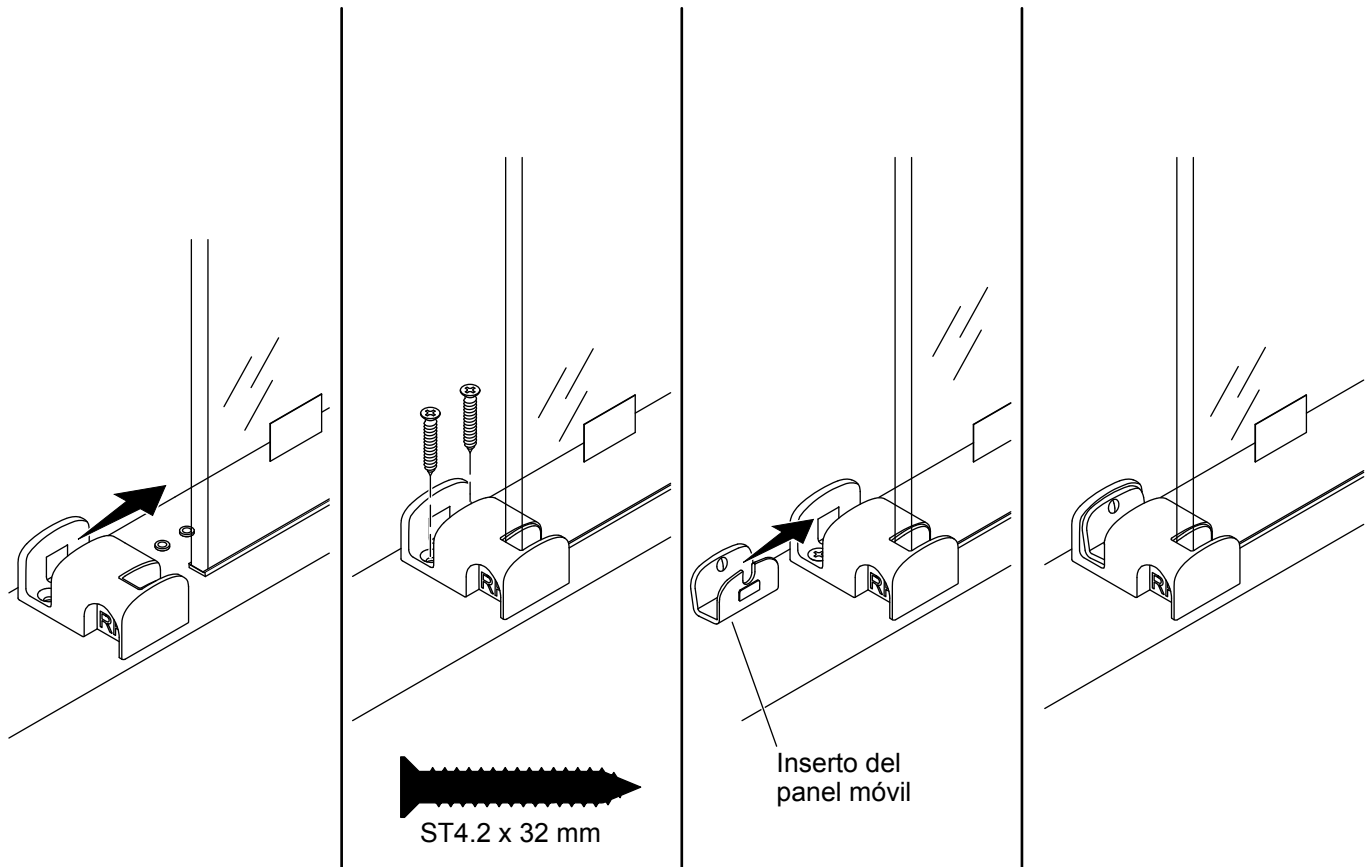
NOTA: Hay distintas guías centrales para instalaciones de abertura desde la derecha y abertura desde la izquierda. Instale la guía central seleccionada en la sección "Determine la configuración de la puerta".

NOTA: Se muestra una configuración de abertura desde la izquierda.

- Deslice la guía central en la esquina inferior del panel fijo.
- Marque con un lápiz los 2 orificios de la guía central en la base de la ducha.
- Retire la guía central.
- Taladre un orificio de 1/4 pulg en cada lugar marcado. Use una broca para cerámica para las bases de ducha de azulejos.
- Aplique sellador 100 % de silicona en los orificios, e instale los anclajes que se incluyen. De ser necesario, dé golpes ligeros a los anclajes hasta que queden al ras. Aplique más sellador 100 % de silicona en los anclajes.

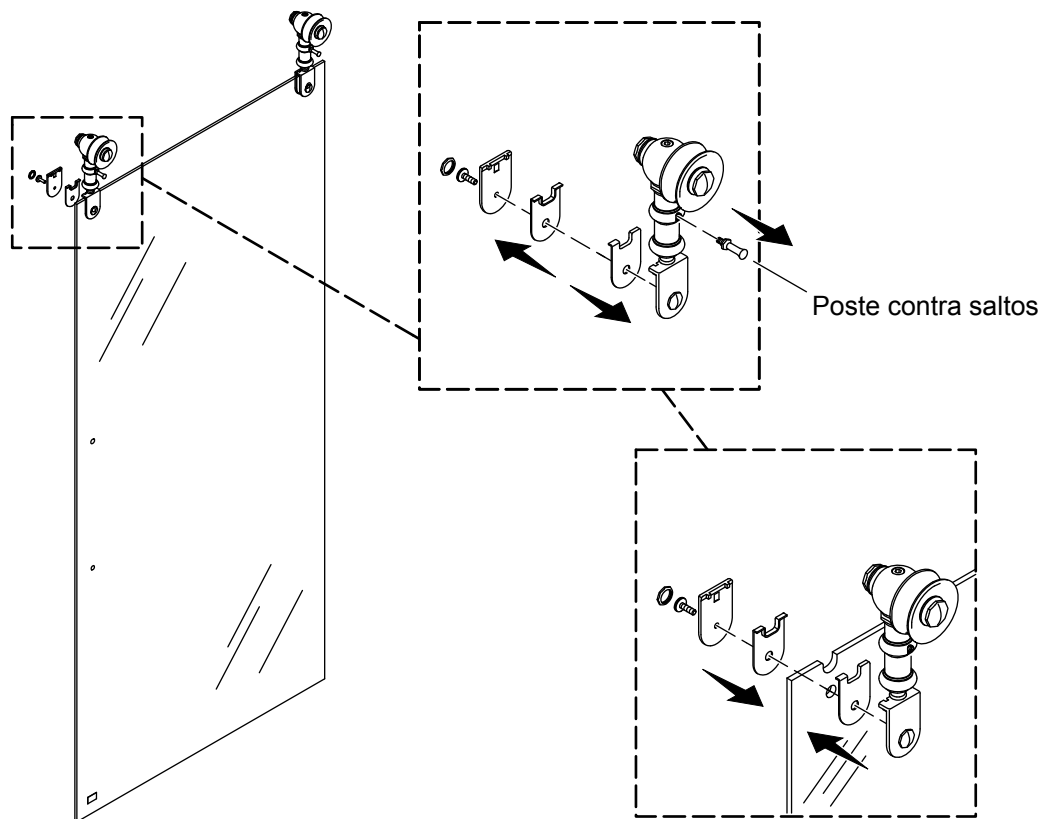
12. Instale la guía central

ES



- Deslice la guía central en la esquina inferior izquierda del panel fijo.
- Fije la guía central al reborde de la base de la ducha mediante 2 tornillos ST4,2 x 32 mm (1-1/4").
- Oprima el botón en el interior de la canaleta de la guía central y deslice el inserto del panel móvil en la canaleta de la guía central hasta que el inserto del panel móvil encaje en su lugar.

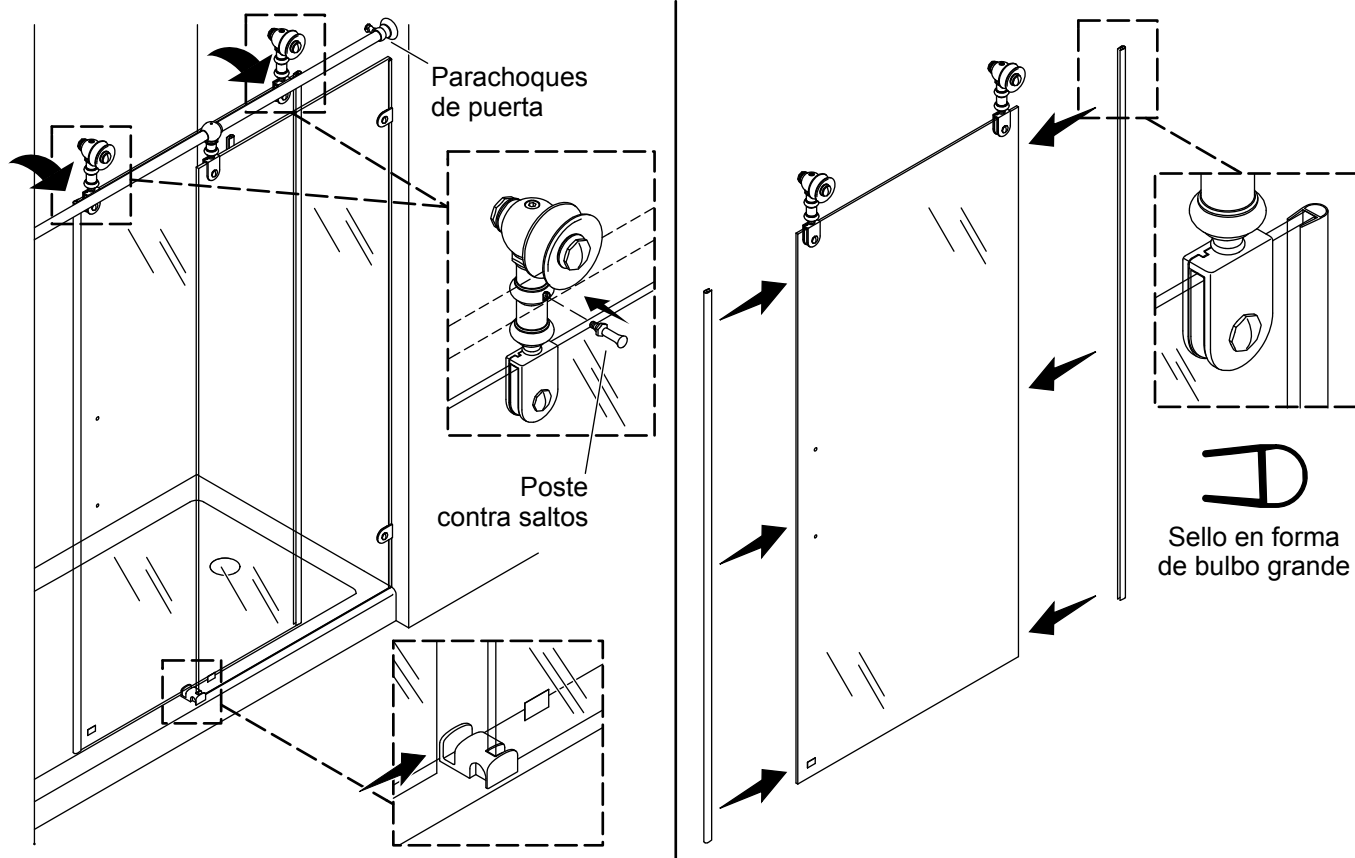
13. Ensamble el panel corredizo



NOTA: Las rueditas deben instalarse en el panel, de forma que todas queden de cara al exterior de la ducha y que los orificios para la manija apunten hacia la cabeza de ducha.

- Retire los protectores esquineros de la parte superior de las 2 esquinas del panel.
- Retire la tapa decorativa de cada una de las rueditas.
- Desensamble las rueditas con una llave de apriete hexagonal de 4 mm.
- Desenrosque los postes contra saltos, y colóquelos a un lado. De ser necesario, use una llave de apriete ajustable.
- Fije las rueditas en el panel corredizo.

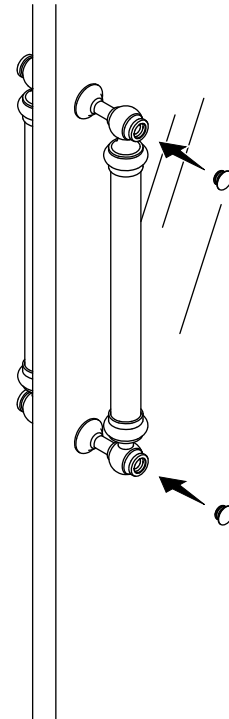
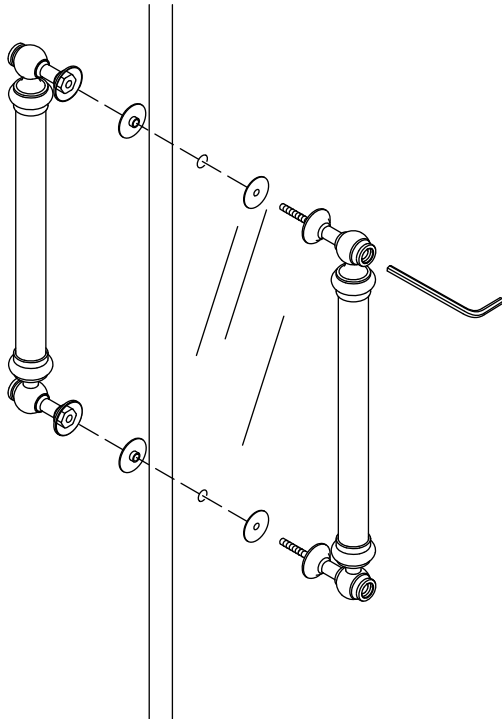
14. Instale el panel corredizo



¡IMPORTANTE! Si no se vuelven a instalar los postes contra saltos, el panel corredizo podría caerse del carril.

- Deslice el parachoques de la puerta hacia la pared de la ducha.
- Con ayuda, levante el panel y coloque las rueditas en el dintel. Verifique que la parte inferior del panel siga estando en la canaleta de la guía central.
- Atornille los postes contra saltos dentro de los soportes de rueditas. De ser necesario, use una llave de apriete ajustable.
- Retire los protectores esquineros de la parte inferior del panel corredizo.
- Verifique que los sellos en forma de bulbo tengan la misma longitud. Instale los sellos en forma de bulbo grandes en ambos bordes verticales del panel corredizo.

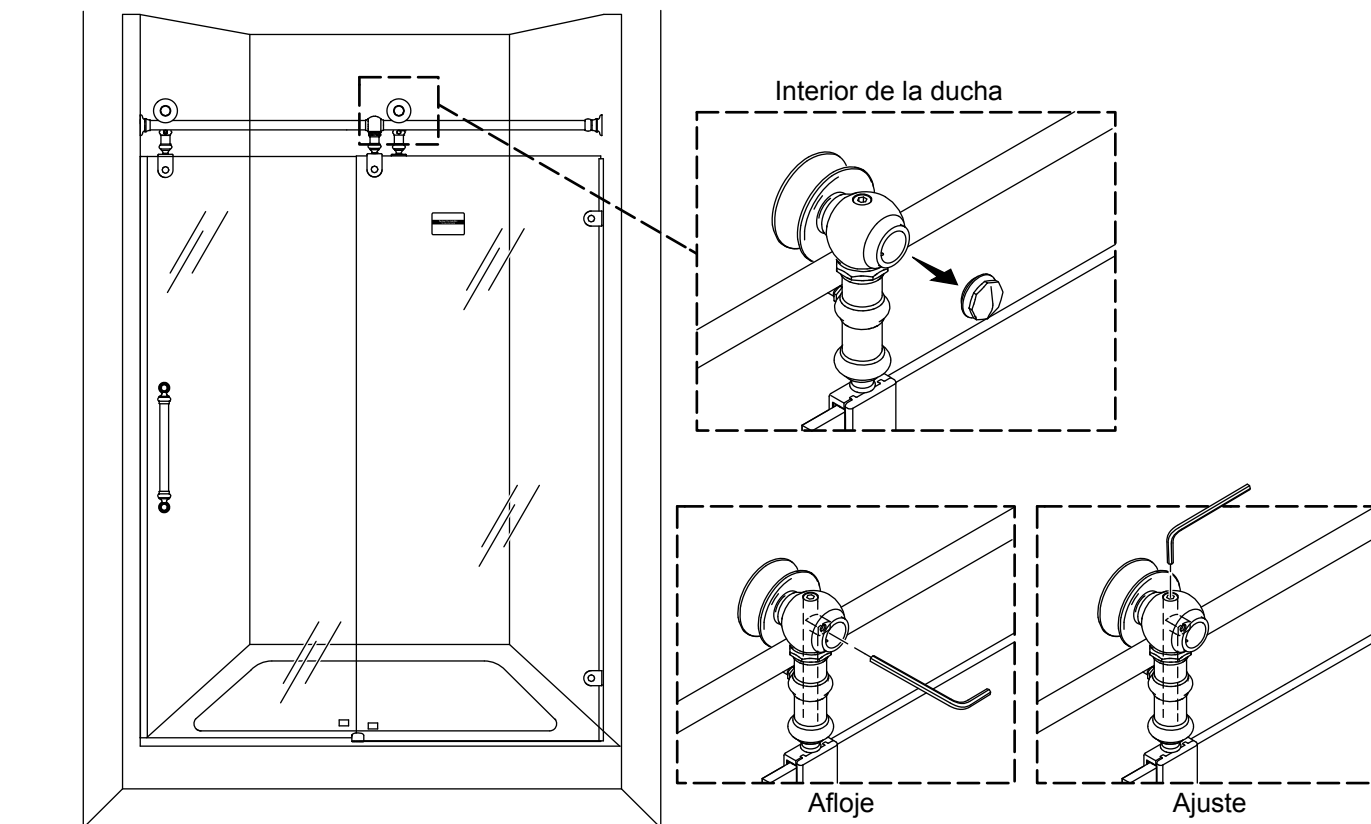
15. Instale las manijas



- Introduzca pernos a través de los orificios en la manija exterior (con el logotipo de "KOHLER").
- Coloque un buje sobre cada uno de los pernos.
- Introduzca los pernos en la manija exterior a través de los orificios en el panel, manteniendo el logotipo de "KOHLER" en la parte inferior.
- Coloque un buje sobre los pernos en el interior del panel.
- Coloque la manija interior sobre los pernos, y apriete ambos pernos con una llave hexagonal de 5 mm.
- Oprima cubiertas sobre los orificios de la manija exterior.

16. Ajuste el panel corredizo

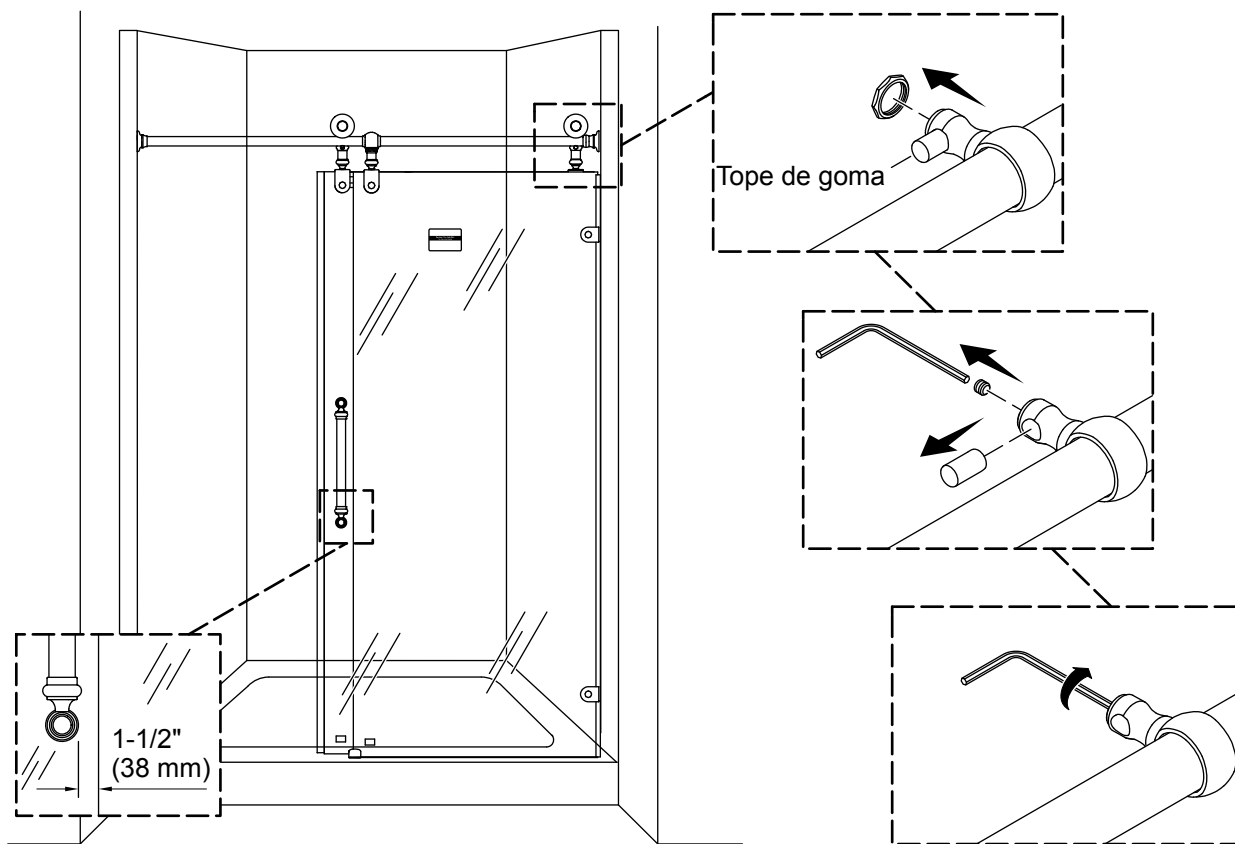
ES



⚠ PRECAUCIÓN: Riesgo de daños al producto. Si se afloja el tornillo superior más allá de donde el arosello puede verse, el panel de vidrio podría caerse y romperse.

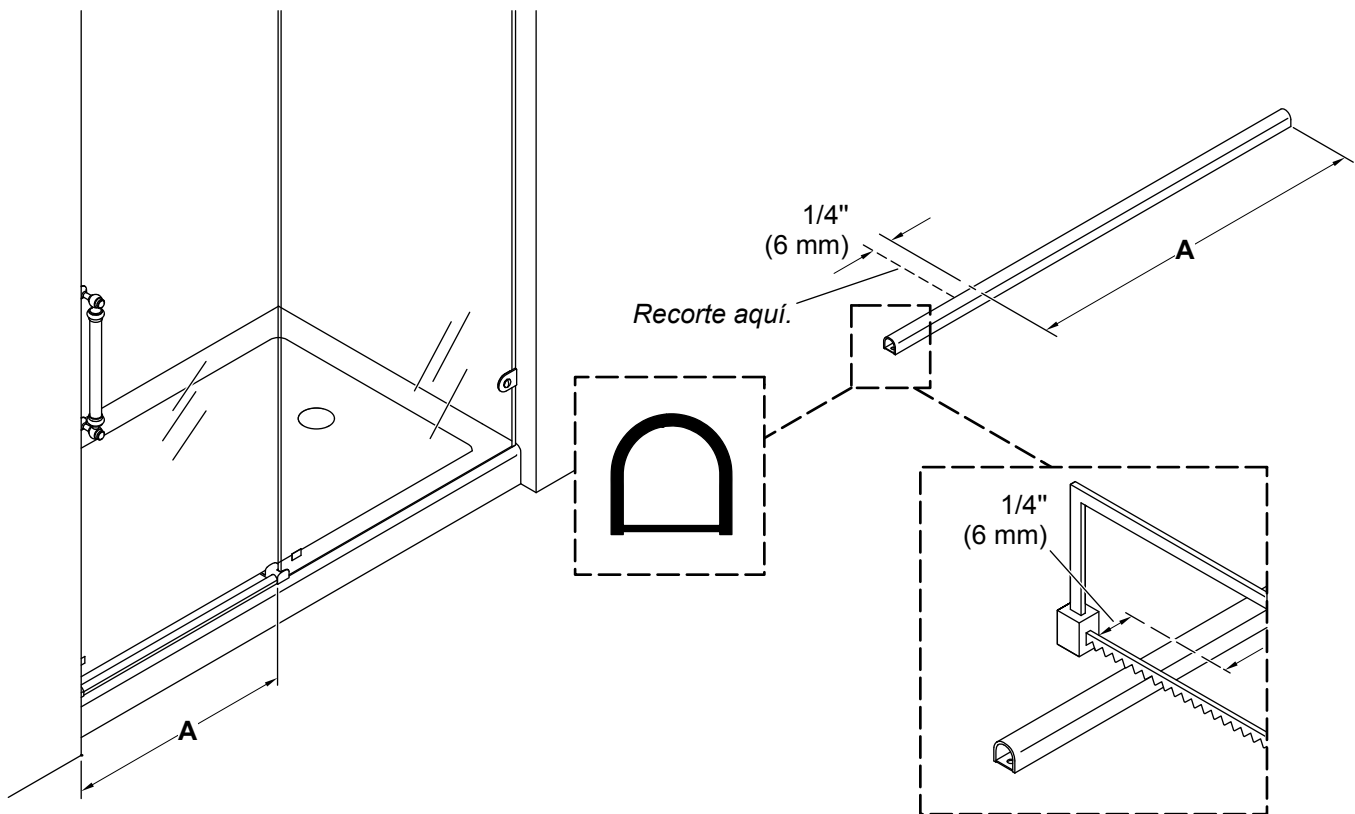
- Mueva el panel corredizo contra la pared. Si el sello hace contacto por completo con la pared de la ducha, siga a la sección "Fije el parachoques de la puerta".
- Desatornille el tornillo para obtener acceso al tornillo de bloqueo.
- Afloje el tornillo de bloqueo con una llave de apriete hexagonal de 2,5 mm.
- Con una llave de apriete hexagonal de 6 mm, gire el tornillo en la parte superior del soporte de rueditas para ajustar el panel hacia arriba o hacia abajo.
- Ajuste el panel corredizo de forma que el sello haga contacto con la pared de la ducha a todo lo largo.
- Cuando el panel corredizo quede al ras con la pared de la ducha, apriete el tornillo de bloqueo y vuelva a instalar la tapa del tornillo.

17. Fije el parachoques de la puerta



- Abra el panel deslizante de manera que la manija quede a 1-1/2" (38 mm) del borde del panel fijo. Verifique que la manija no haga contacto con el borde del panel fijo.
- Desde el interior de la ducha, deslice el parachoques de la puerta de forma que el tope de goma haga contacto con el soporte de ruedita, y fíjelo en su lugar con cinta adhesiva.
- Retire la cubierta decorativa del parachoques.
- Con una llave de apriete hexagonal de 3 mm retire el tornillo de fijación y el tope de goma, para obtener acceso al tornillo de fijación interior.
- Con una llave de apriete hexagonal de 3 mm apriete el tornillo de fijación interior hasta que el parachoques de la puerta quede fijo.
- Vuelva a instalar el tope de goma con la parte plana de cara al interior de la ducha, y fíjelo con un tornillo de fijación.
- Vuelva a instalar la cubierta decorativa en el parachoques de la puerta.

18. Mida y recorte el umbral



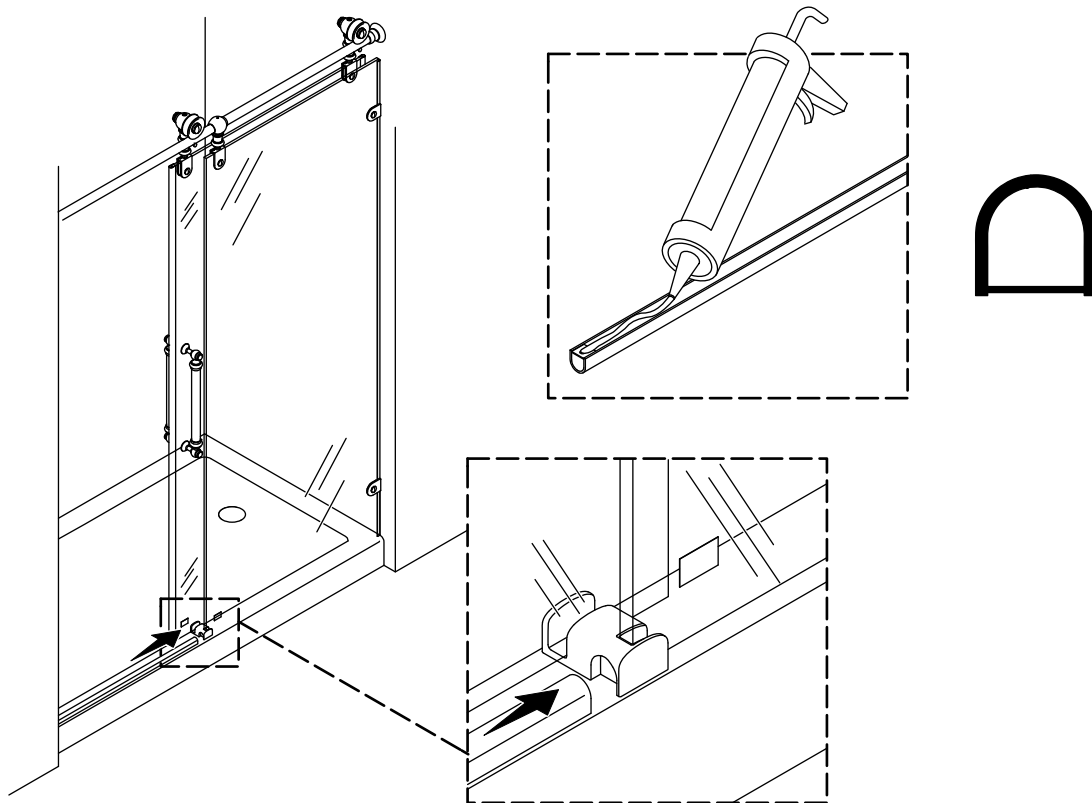
⚠ AVISO: Riesgo de lesiones graves. Siempre use anteojos de seguridad al cortar y al taladrar.

- Mida la distancia "A" entre la pared de la ducha y el borde de la guía central.
- Mida 1/4" (6 mm) a partir de "A", y haga una segunda marca en el umbral, como se muestra.

NOTA: Si la dimensión "A" más 1/4" (6 mm) es mayor que la longitud del umbral que se incluye, no hay necesidad de recortar el umbral.

- Corte el umbral en la segunda marca y lime los bordes ásperos.

19. Instale el umbral



NOTA: Para facilitar la instalación, introduzca el umbral a un ángulo al introducirlo en la ranura en la guía centra.

□ Coloque preliminarmente el umbral para verificar su ajuste. Retire el umbral.

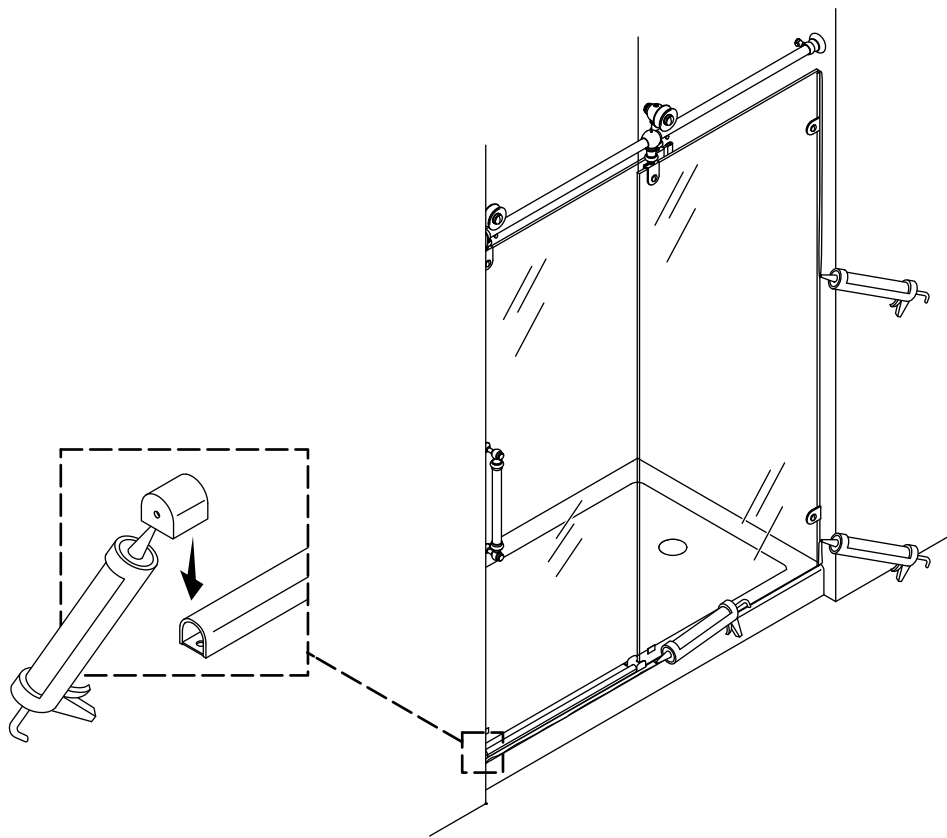
NOTA: La cubierta del umbral cubre todos los espacios libres entre el umbral y la pared.

□ Aplique sellador 100 % de silicona en la parte inferior del umbral.

□ Deslice un extremo del umbral en la muesca en la guía central, y alinee el umbral con el borde delantero del receptor.

20. Termine de hacer la instalación

ES



- Aplique sellador 100 % de silicona a la cara inferior del umbral.
- Coloque la cubierta del umbral sobre el extremo del umbral más cercano a la pared.
- Empuje la cubierta del umbral hacia la pared si es que hay alguna separación.
- Aplique sellador 100 % de silicona a lo largo de los bordes delanteros de la cubierta del umbral, del umbral, de la guía central y del panel fijo.
- Para eliminar espacios libres, empuje el sello en forma de bulbo pequeño en el panel fijo contra la pared.
- Aplique sellador 100 % de silicona a lo largo de los bordes exterior e interior verticales del panel fijo.

Resolución de problemas

Esta guía de resolución de problemas está diseñada únicamente como ayuda general. Para obtener servicio de garantía, comuníquese con su concesionario, su distribuidor mayorista, o llame al 1-800-4KOHLER.

Síntomas	Causa probable	Acción recomendada
1. La puerta hace ruido al abrirla o cerrarla.	<ul style="list-style-type: none"> A. El panel corredizo está demasiado bajo y raspa contra la guía central o contra la base de la ducha. B. La guía central está instalada de forma incorrecta. C. Las rueditas se han desgastado y hacen ruido. D. Los tornillos de fijación del dintel no están apretados contra las placas murales. E. La manija está suelta. 	<ul style="list-style-type: none"> A. Ajuste las rueditas para subir el vidrio. B. Vuelva a instalar el inserto de la guía central. C. Cambie el ensamblaje de las rueditas. D. Retire las cubiertas de las placas murales y apriete los tornillos de fijación. E. Apriete la manija.
2. Es difícil mover la puerta, o no abre o cierra.	<ul style="list-style-type: none"> A. El panel corredizo está demasiado bajo y raspa contra la guía central o contra la base de la ducha. B. La guía central está instalada de forma incorrecta. C. Las rueditas están desgastadas. 	<ul style="list-style-type: none"> A. Ajuste las rueditas para subir el vidrio. B. Vuelva a instalar el inserto de la guía central. C. Cambie los ensamblajes de rueditas.
3. El panel corredizo no permanece cerrado.	<ul style="list-style-type: none"> A. El dintel no está nivelado. B. Es posible que se requiera un cerrojo magnético. 	<ul style="list-style-type: none"> A. Nivele el dintel. Para esto es posible que se requieran nuevos orificios en la pared de la ducha. B. Comuníquese con el Centro de Servicio al Cliente acerca de un cierre opcional.
4. Se fuga agua.	<ul style="list-style-type: none"> A. Se fuga agua por abajo del panel fijo. 	<ul style="list-style-type: none"> A. Aplique sellador 100 % de silicona al borde exterior inferior del panel fijo. Antes de usar la ducha, deje que el sellador se seque de acuerdo a las instrucciones del fabricante. B. Verifique que el panel fijo descansa sobre el reborde del receptor a todo lo largo del panel fijo. Si la esquina cerca de la guía central está elevada, la ducha no está cerca de estar a plomo. Coloque cuñas en los clips de sujeción a la pared para mantener el panel fijo apretado al reborde del receptor.

Síntomas	Causa probable	Acción recomendada
5. Se fuga agua.	A. Se fuga agua entre el panel fijo y la pared.	<p>A. Verifique que el sello en forma de bulbo esté instalado y que se haya aplicado silicona.</p> <p>B. Deslice el sello en forma de bulbo de forma que haga contacto con la pared. Aplique silicona entre el sello y la pared en el exterior y en el interior.</p> <p>C. Es posible que su pared está lejos de estar a plomo. Comuníquese con el Centro de Atención al Cliente para solicitar un sello en forma de bulbo más grande. Para instalar un sello en forma de bulbo más grande se requiere desensamblar por completo la puerta.</p>
6. Se fuga agua.	A. Se fuga agua entre el panel corredizo y la pared.	<p>A. Ajuste el panel móvil de forma que no quede ninguna separación entre el sello en forma de bulbo y la pared de la ducha.</p> <p>B. Cierre el panel corredizo y deslice el sello en forma de bulbo de forma que haga contacto con la pared de la ducha a todo lo largo del panel.</p> <p>C. Comuníquese con el Centro de Servicio al Cliente acerca de un cierre opcional.</p>
7. Se fuga agua.	A. Se fuga agua entre el panel corredizo y el panel fijo.	A. Comuníquese con el Centro de Atención al Cliente para solicitar 2 sellos de aleta. Instale un sello de aleta en el panel fijo y en el panel móvil.
8. Se fuga agua.	A. Se fuga agua por abajo del panel corredizo.	<p>A. Baje el panel corredizo de acuerdo con la sección "Ajuste el panel corredizo".</p> <p>B. Comuníquese con el Centro de Atención al Cliente para solicitar mejores sellos de contención de agua.</p>
9. La manija golpea contra el panel fijo al abrir la puerta.	A. El parachoques de la puerta no está instalado correctamente.	A. Ajuste la posición del parachoques de la puerta de acuerdo con la sección "Fije el parachoques de la puerta".
10. El panel fijo traquetea.	<p>A. Los soportes murales están sueltos.</p> <p>B. Faltan los empaques de los soportes murales.</p>	<p>A. Apriete los soportes murales.</p> <p>B. Retire los soportes murales e instale los empques.</p>

USA/Canada: 1-800-4KOHLER (1-800-456-4537)
Mexico: 001-800-456-4537
kohler.com

THE BOLD LOOK
OF **KOHLER**®

©2022 Kohler Co.



1492717-2

1492717-2-A