

10383T 10384T 浴缸出水口

安装之前

所有的资料是按最新出版的产品资料编写而成。科勒公司保留任何时候不经通知即可改变产品特性、包装或产品可供类型的权利。说明书包括重要的安装、保养及清洁方面的内容，请把这些资料交给用户阅读。

注意事项：

1. 一定要先彻底冲洗供水管以清除管道中的杂质。
2. 切断供水管路。
3. 遵守所有当地管路安装及建筑条例。
4. 切换器正常工作的最小压力为0.05Mpa(0.5bar)。

BEFORE YOU BEGIN

All information is based on the latest product information available at the time of publication. Kohler Co. reserves the right to make changes in product characteristics, packaging, or availability at any time without notice. Please leave these instructions for the consumer. They contain important information.

NOTES:

1. Flush the water supply pipes thoroughly to remove debris.
2. Shut off the water supplies to the fitting.
3. Observe all local plumbing and building codes.
4. The minimum inlet water pressure for the diverter is 0.05Mpa(0.5bar).

使用说明

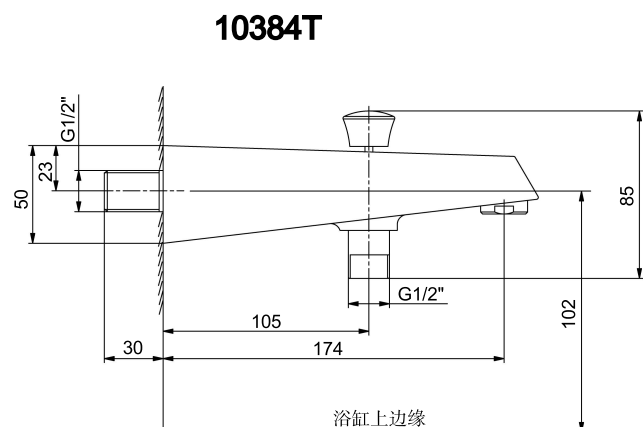
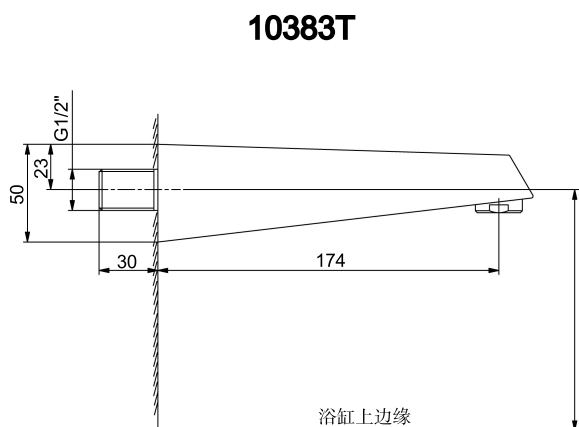
对于10384T,顺时针旋转切换器,花洒出水;关闭龙头,逆时针旋转切换器到停止位置,浴缸出水口出水。

HANDLE OPERATION

For 10384T, diverter turns clockwise for shower. Shut off the faucet, turns counter-clockwise until it stops for bath spout.

安装尺寸

ROUGH-IN DIMENSIONS

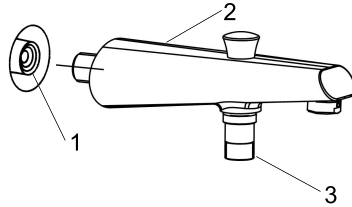


安装步骤

为使安装顺利, G1/2"内螺纹管道配件(1)应已装好,并深浅合适。

在出水口组件(2)的G1/2"螺纹上缠绕足以密封的密封胶带或涂适合的密封胶。在出水口底部涂上一圈油灰或其他胶。安装出水口,用带状扳手将出水口拧紧,调整出水口方向使其向下。去除多余油灰。

接头(3,仅对于10384T)用于连接花洒。



INSTALLATION

To perform installation, installer must provide G1/2" female supply fittings(1), keep proper position in the wall.

Apply tape or thread sealant to G1/2" nipple threads of the spout kit(2). Apply a ring of plumbers putty to the spout base. Thread the spout kit to the G1/2" nipple. Tighten by strap wrench. Adjust the spout downwards. Remove any excess putty.

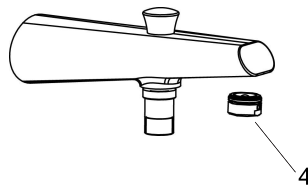
The connector(3, only for 10384T) will be used to connect handspray.

安装结果检查

检查并确保所有的衔接处都已拧紧。

打开排水系统和主要供水源,检查并修理有漏水的接口。

将起泡器(4)拆下,用冷热冲洗出水口一分钟以清除杂质。冲洗起泡器,关闭水源,重新装回起泡器。



INSTALLATION CHECKOUT

Ensure that all connections are tight.

Open the drain. Turn on main water supply and check for leaks. Repair as required.

Remove aerator assembly (4). Flush hot and cold water through spout for about one minute to remove any debris. Remove any debris from aerator assembly. Turn off water supply and reinstall aerator assembly.

清理说明

适用于所有加工处理过的表面:以中性肥皂水清洗镀层表面,再以干净的软布彻底擦干整个表面,许多清洁剂,比如氨水、去污粉及洁厕灵等,会对电镀表面造成伤害,切忌使用。

有磨损性的清洁剂也不可使用于科勒牌的水龙头及其配件上。

CLEANING INSTRUCTIONS

All Finishes: Clean the finish with mild soap and warm water. Wipe entire surface completely dry with clean soft cloth. Many cleaners may contain chemicals, such as ammonia, chlorine, toilet cleaner etc, which could adversely affect the finish and are not recommended for cleaning.

Do not use abrasive cleaners or solvents on Kohler faucets and fittings.

10383T 10384T 浴缸出水口

