



HYDRO-TOWER 300 海德丽300

INSTALLATION INSTRUCTIONS

安装说明书

IN-WALL TANK

入墙式隐藏水箱

K-4179T/K-4178T/K-10611T

K-4177T/K-8857T/K-20341T/K-75890T/K-75891T

BEFORE YOU BEGIN

安装之前

- ! Read installation guide in illustration and word file carefully, and install the tank according to instructions in the guide to avoid product damage and installation inconvenience caused by inappropriate operation.
- ! All data contained is based upon the last product information available at the time of publication. Kohler Company reserves the right to implement changes of product characteristics, packaging and availability at any time without further notice.
- ! Do not apply erosive cleanser and solvent in the tank, which will damage tank spares and result in leakage in the tank. Kohler will not be responsible for any damage related to above mentioned cleanser or solvent. Mild detergent can be used.
- ! Do not apply spares that are not provided by Kohler, and please note that glass adhesive tape shall not be applied to the installation of Kohler spares. Kohler will not be responsible for any damage related to installation with spares not provided by Kohler.
- ! This product complies with GB26730-2011.

- ! 请仔细阅读图示说明及文字安装说明，按照说明书的步骤安装，以避免产品损坏或不良操作导致安装不便。
- ! 所有的资料是按出版时的最新产品资料编写的，本公司保留在任何时候不需通知便可更改产品的特征、包装或供应产品的权利。
- ! 请不要在水箱内使用具有腐蚀性的清洁剂或溶剂，否则会严重地损坏水箱配件，导致漏水。因使用上述清洁剂或溶剂而使水箱不能正常使用或出现其它连带性的损坏，本公司恕不负责。
- ! 请不要采用非本公司提供的零件，如玻璃胶等不能用于本公司配件的安装。因使用非本公司提供的零件安装而本公司产品导致的损坏，本公司恕不负责。
- ! 本产品符合 GB26730-2011。

Ordering Information

HYDRO-TOWER 300 In-Wall Tank(With Frame)	K-4178T
HYDRO-TOWER 300 3/4.5L In-Wall Tank With Frame.....	K-4179T
HYDRO-TOWER 300 3/4.5L In-Wall Tank Without Frame.....	K-10611T
DROPLET In-Wall Tank Faceplate (Not Supplied)	K-4177T
BEVEL In-Wall Tank Faceplate (Not Supplied).....	K-8857T
PEBBLE In-Wall Tank Faceplate(Not Supplied)	K-20341T
LYNK Faceplate (Not Supplied).....	K-75890T
NOTE In-Wall Tank Faceplate(Not Supplied).....	K-75891T

订购信息

海德丽300 入墙式隐藏水箱(含固定支架).....	K-4178T
海德丽300 3/4.5 升入墙式隐藏水箱.....	K-4179T
海德丽300 3/4.5 升无框架入墙式隐藏水箱.....	K-10611T
德瑞入墙式隐藏水箱面板(可选配)	K-4177T
贝芙入墙式隐藏水箱面板(可选配)	K-8857T
佩欧珀隐藏水箱面板(可选配)	K-20341T
灵珂机械隐藏水箱面板(可选配)	K-75890T
诺特隐藏水箱面板(可选配)	K-75891T

KOHLER CHINA INVESTMENT CO., LTD NO.158, JIANG CHANG SAN ROAD,
 JING'AN DISTRICT, SHANGHAI, PRC POST CODE: 200436
 科勒中国投资有限公司 上海市静安区江场三路158号 邮编: 200436

Function Explanation

功能说明

- ! Anti flow-backwards
 - ! Adjustment of inlet water level
 - ! Adjustment of flushing volume
 - ! Single/double gear flushing
 - ! Assemble, disassemble and maintenance can be done without tools.
- ! 防倒流功能
 - ! 进水水位可调节功能
 - ! 排水水量可调节功能
 - ! 双档冲水功能
 - ! 无需工具用手即可实现拆装维修。

Design And Installation Concept Of In-wall Tank

- ! Installation of in-wall tank is much easier and nice-looking comparative to that of traditional tank. Meanwhile, the space layout will be more reasonable due to the application of in-wall tank pipes and connectors.
- ! The most remarkable advantage of in-wall tank is that the installation will never be limited to certain area, and can be installed wherever as you wish, which will make the bathroom layout more reasonable and nice-looking, and make good use of every inch of the bathroom space.

隐藏水箱设计安装概念

- ! 隐藏水箱提供了简单快捷的安装方式，与传统的安装方式相比更完善、更美观。同时由于使用了隐藏的管路布置，使空间布局更为合理。
- ! 使用隐藏水箱的显著优点是不再限于某一固定的地方安装，可以灵活地设置，从而可以使整个浴室布局更为合理、更为美观，充分利用每一寸可用空间。

Advantages Of In-wall Tank

- ! Made of macromolecular material that prevents corrosion and leaking.
- ! Advanced water tank fitting, which makes possible the adjustment of the water discharge and double flush.
- ! Will not affect the structure of the wall and provides excellent sound insulation.
- ! Easy installation and time efficient.
- ! Do not need to prepare any other spare parts.
- ! Easy maintenance and servicing.
- ! Clean, garbage free, and space saving.
- ! Extra-thin shell of the tank helps to save a lot of space and fit for any walls.

隐藏水箱的优点

- ! 抗冲击，耐腐蚀的高分子材质水箱，杜绝漏水的可能性。
- ! 先进的水箱配件，可以调节排水量，以及具有双档冲水的技术功能。
- ! 不影响墙体结构，出色的隔音效果。
- ! 安装简便、快捷，省时省力。
- ! 无需准备其它的安装配件。
- ! 维护简易，无需改动墙体。
- ! 卫生清洁，无垃圾陈积，节省空间。
- ! 箱体超薄型，节省安装空间，广泛应用于各种薄壁墙体。

SPECIFICATIONS

规格

Liter per flushing	K-4178T	Full flushing volume: 6L Half flushing volume: 3L 6L 3L
	K-4179T K-10611T	Full flushing volume: 4.5L Half flushing volume: 3L 4.5L 3L
Temperature	Environmental temperature: 1° C~55° C, Water temperature: 1° C~45° C 1° C~55° C 1° C~45° C	
Water Supply	Min water supply: 0.02MPa (dynamic pressure) Max water supply: 0.74MPa (static pressure) 0.02MPa() 0.74MPa()	

RECOMMENDES TOOLS AND MATERIAL 所需工具及材料

- | | |
|--------------------------------|-----------|
| ! Open end/adjustable wrenches | ! 开口/活动扳手 |
| ! Allen wrench | ! 内六角扳手 |
| ! Knife | ! 美工刀 |
| ! File | ! 锉刀 |
| ! Hacksaw | ! 钢锯 |
| ! Masonry | ! 冲击钻 |
| ! Level | ! 水平尺 |
| ! Screw driver | ! 十字螺丝刀 |
| ! Insulation tape | ! 绝缘胶布 |
| ! Tape measure | ! 卷尺 |
| ! Seal tape | ! 生料带 |
| ! Bushing | ! 电工套管 |
| ! Lubricant | ! 润滑油 |

ROUGHING-IN

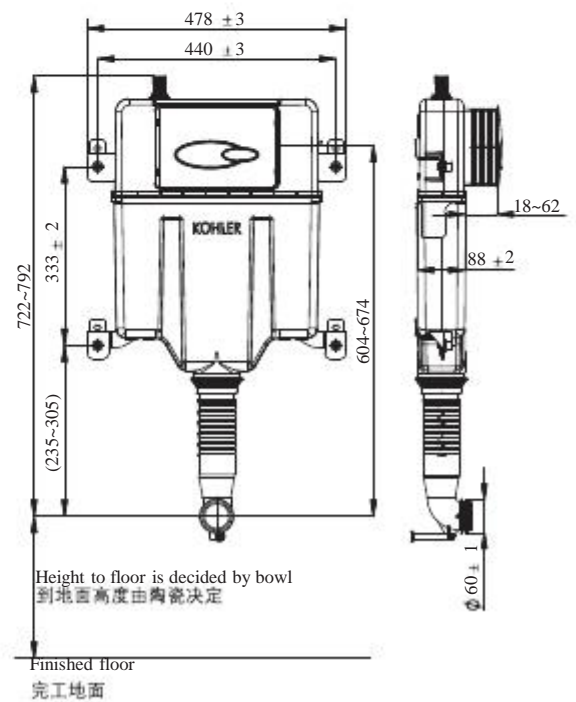
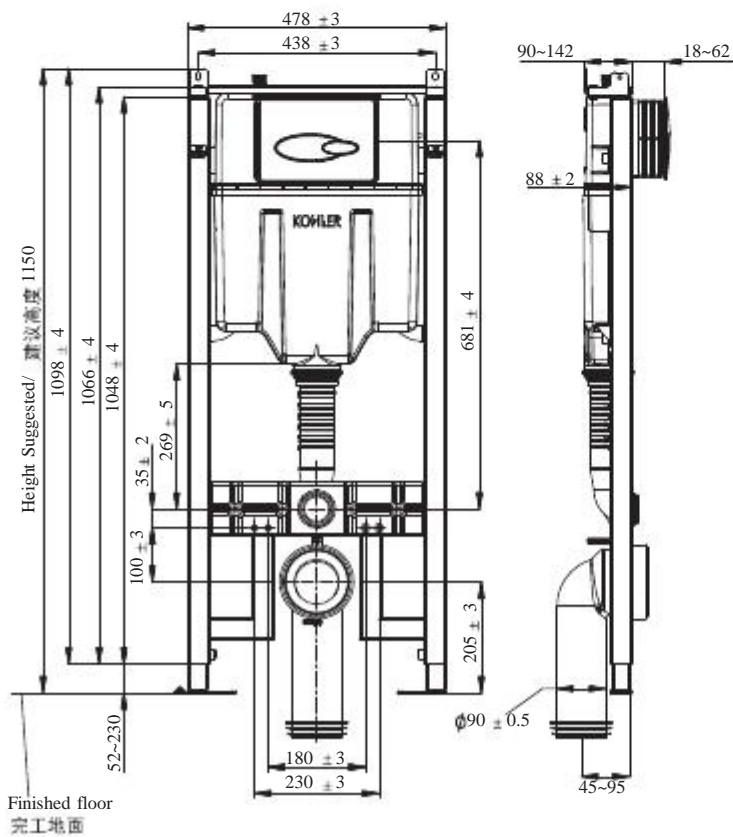
尺寸图

Reference Value
参考值

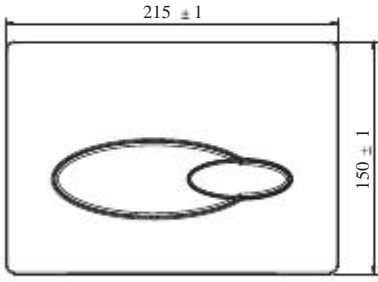
UNIT: mm
单位: 毫米

K-4179T/K-4178T

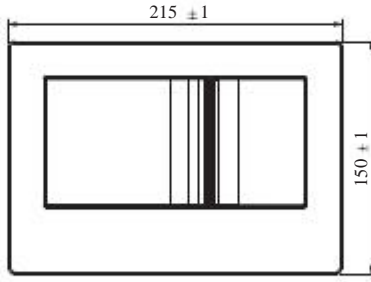
K-10611T



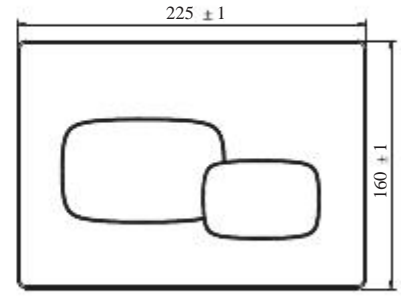
K-4177T



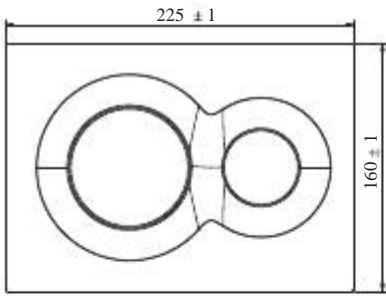
K-8857T



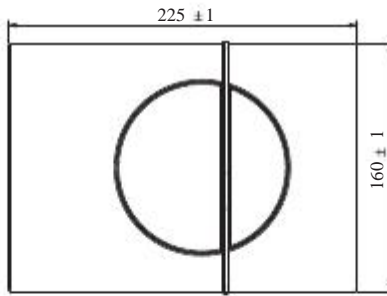
K-20341T



K-75890T



K-75891T

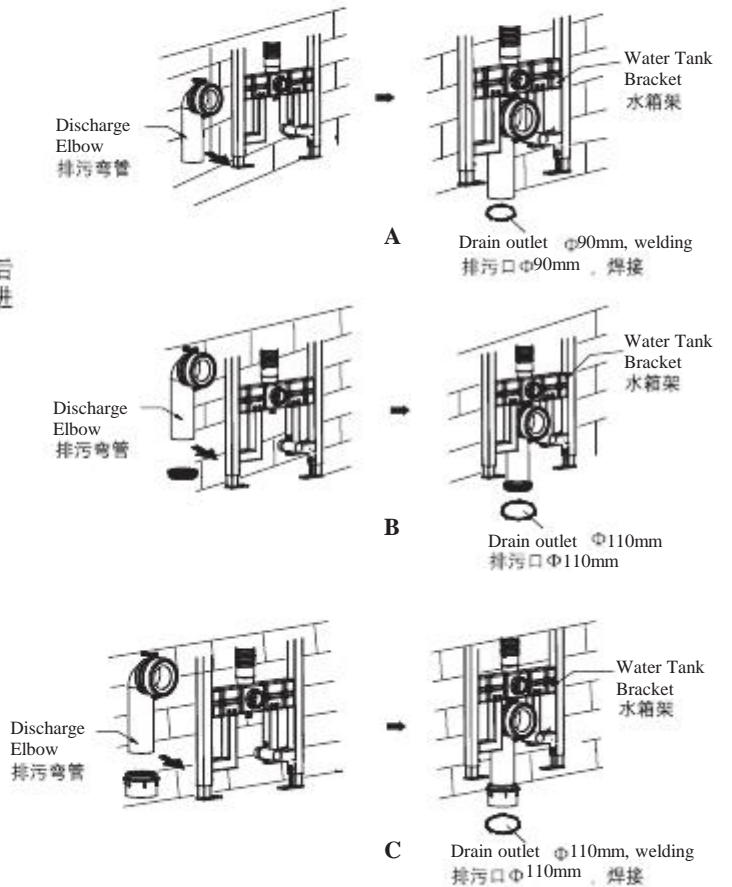


Floor Discharge Installation Method

Three discharge pipe installation methods based on actual situation: A, B, C, adjust position by screw driver. Snap discharge pipe lower end into discharge port.

地排安装方法

首先根据实际情况有三种排污弯管安装方法：A, B, C, 然后用螺丝刀旋调节螺丝调整位置。最后再把排污弯管的下端装进排污口。



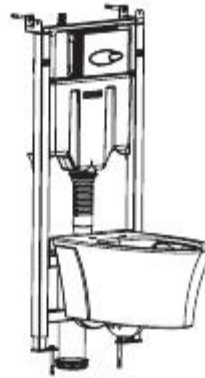
Kohler reserves the right to change marked dimensions without prior notice.
科勒公司保留随时变更图中标示尺寸的权利，无需另行通知。

Way of Installation

There are two ways to install this product: in-wall tank with frame & in-wall tank without frame

安装方式

本产品具有两种安装方式：入墙式隐藏水箱(含固定支架)座便器
入墙式隐藏水箱(不含固定支架)座便器



In-wall Tank With Frame
入墙式隐藏水箱(含固定支架)座便器

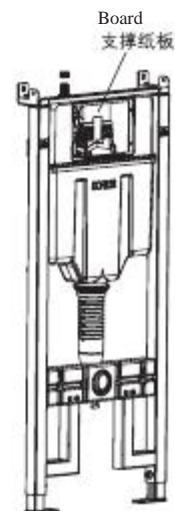
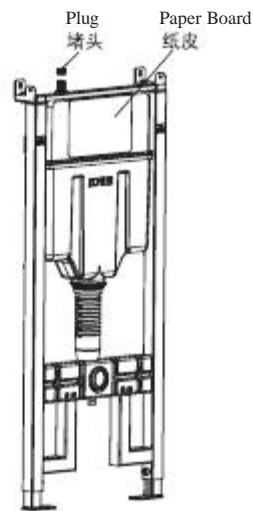


In-wall Tank Without Frame
入墙式隐藏水箱(不含固定支架)座便器

Installation For In-wall Tank With Frame 入墙式隐藏水箱(含固定支架)座便器的安装

A. Installation of In-wall Tank A. 隐藏水箱的安装

1. Remove in-wall tank from packing box. Remove paper board inside water tank first as shown. Then remove board and plug above bracket assembly.
1. 从包装箱中取出隐藏水箱，如图首先把水箱里的纸皮取下，再取出支架组件上方的支撑纸板和堵头。

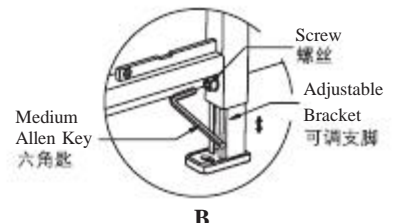
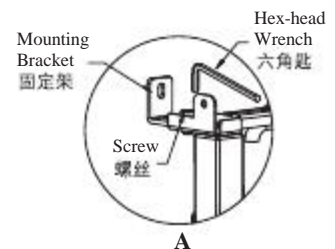
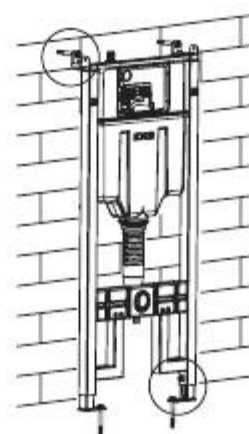


2. Loose hex-head screw and adjust mounting bracket height as shown in Fig A.
Loose hex-head screw and adjust supporting feet height as shown in Fig B.

Note: mounting bracket and supporting feet shall be adjusted per customer ideal height. Use leveler to ensure the balance of steel bracket.

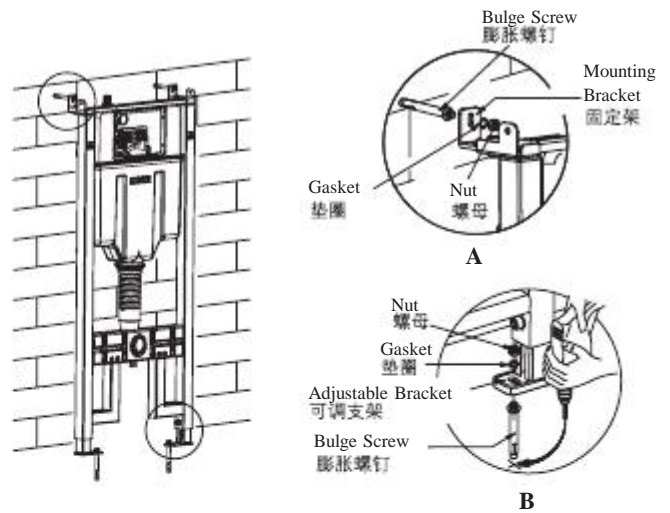
2. 如图A用六角匙拧松螺丝后可调节固定架伸长或缩短。
如图B用六角匙拧松螺丝后可调节可调支脚伸长或缩短。

注：固定架与可调支脚可根据客户的理想高度进行调节。调节时请用水平尺确保铁架保持平衡。



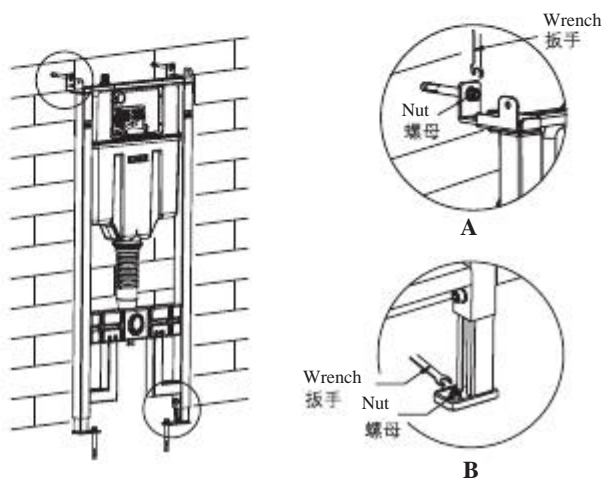
3. Drill four holes with diameter of 10mm and depth of 80mm with churn drilling as shown.
 - A. Fill the bulge nail into the instruction hole on the wall, fix the fixing frame to the bulge nail, adjust the gasket and tighten the nut.
 - B. Fill the bulge nail into the instruction hole, fix the adjustable bracket to the bulge nail, adjust the gasket and tighten the nut.

3. 如图A、B用冲击钻钻四个 $\varnothing 10\text{mm}$ 深80mm的小孔。
 - A. 将膨胀胶钉塞进墙体安装孔上，再把固定架装在膨胀胶钉上，调整好位置后套上垫圈，拧紧螺母。
 - B. 将膨胀胶钉塞进安装孔中，再把可调支架装在膨胀胶钉上，调整好位置后套上垫圈，拧紧螺母。



4. Tighten the nut with the wrench as shown in illustration A. Tighten the nut with the wrench as shown in illustration B.

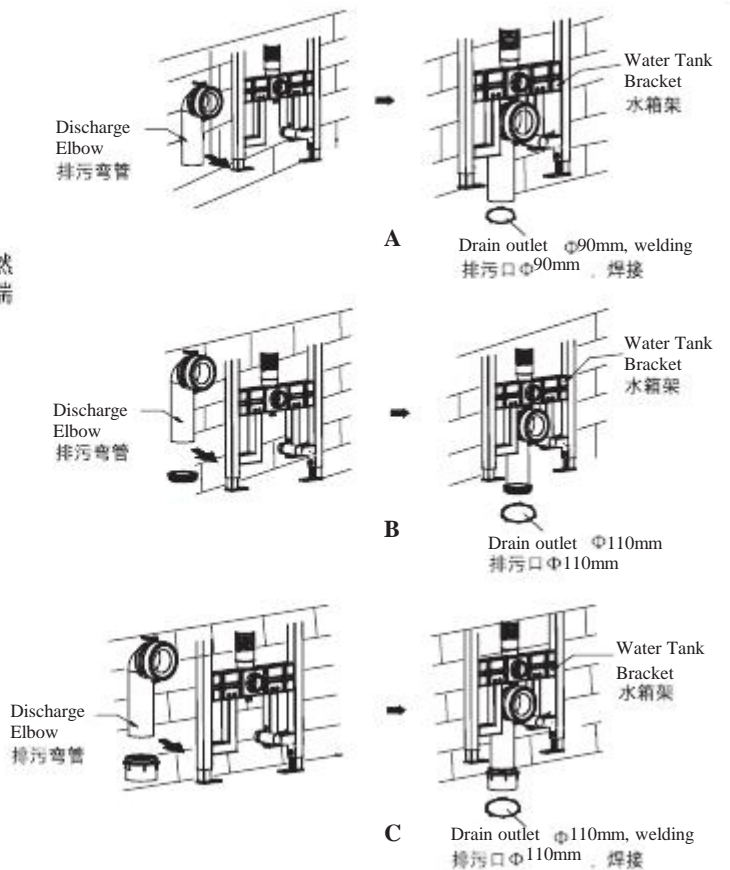
4. 如图A用扳手拧紧螺母。
如图B用扳手拧紧螺母。



B. Floor Discharge Installation Method

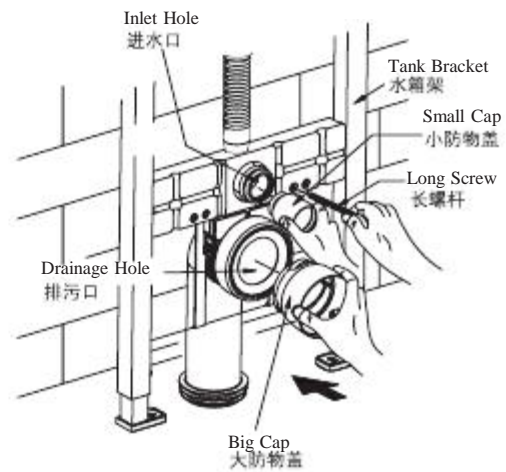
B. 地排安装方法

1. Three discharge pipe installation methods based on actual situation: A, B, C, adjust position by screw driver. Snap discharge pipe lower end into discharge port.
1. 首先根据实际情况有三种排污弯管安装方法：A, B, C，然后用螺丝刀旋调节螺丝调整位置，最后再把排污弯管的下端装进排污口。



2. Tighten the long screw into the holes of the tank bracket and cover the drainage hole with the big cap, cover the inlet hole with the small cap.

2. 如图将长螺杆旋入水箱架的螺丝孔上，再将大防物盖装在排污口上，小防物盖装在进水口上。



3. Connect tap water braided tube on the top of water tank for water supply as shown.

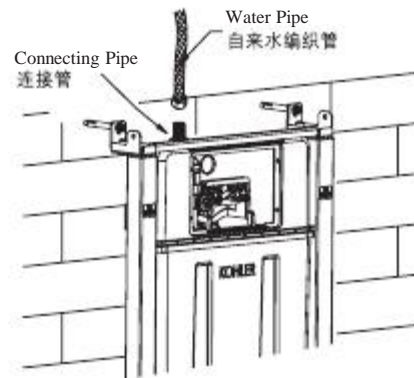
Note: 1. Ensure water tank internal valve is OFF.

2. Suggestion: connect a temporary rubber or plastic hose on valve, flush water supply pipeline. Ensure water is clean, no residual sand stone or fouling inside pipeline.

3. 如图所示将自来水编织管装在水箱顶部连接管上供水。

注: 1. 确保水箱内部进水角阀为关闭状态。

2. 建议在连接供水时，在角阀上连接一个临时橡皮或塑料软管，冲洗供水管道，确保管路中的水干净，管道内无沙石、垢污等。

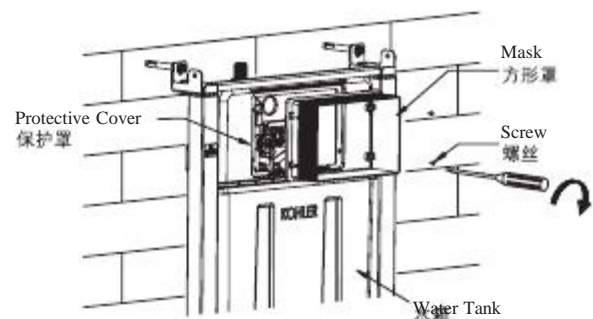


4. Install rectangle cover

1) Install the rectangular shield in the block screen of the tank, and tighten the screw to fix mask to the tank.

4. 方外罩安装

1) 如图将方形罩装在水箱的挡盖里，再拧紧螺丝使方形罩固定在水箱上。

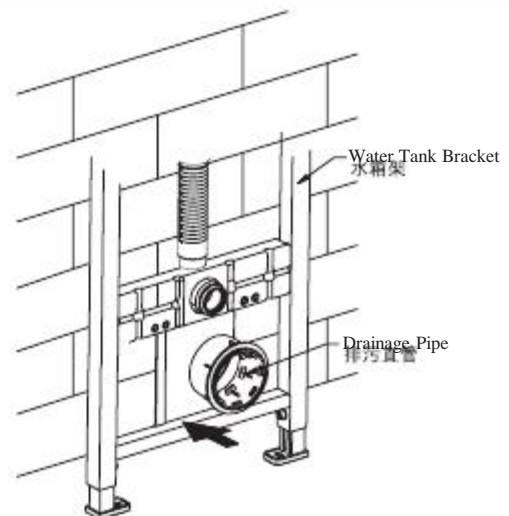


C. Installation of P-trap

C. 横排安装方法

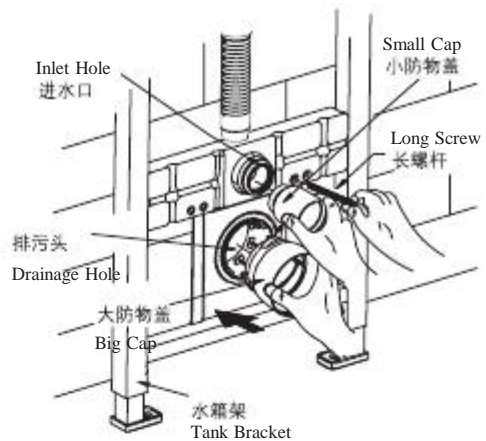
1. Insert drainage pipe with inner diameter $\Phi 110\text{mm}$ into drain elbow and weld.

1. 将排污直管装入内径 $\Phi 110\text{mm}$ 的排污管道，焊接。



2. Tighten the long screw into the holes of the tank bracket and cover the drainage hole with the big cap, cover the inlet hole with the small cap.

2. 如图将长螺杆旋入水箱架的螺丝孔中，再将大防物盖装在排污头上，小防物盖装在进水口上。



3. When finishing the brickwork of the wall, take out the big and small caps, and eliminate unwanted mask with a sharp knife.

如图砌完墙后。将大、小防物盖取出，然后用水口刀把方形罩多余的长度锯掉。

3. 罩多余的长度锯掉。

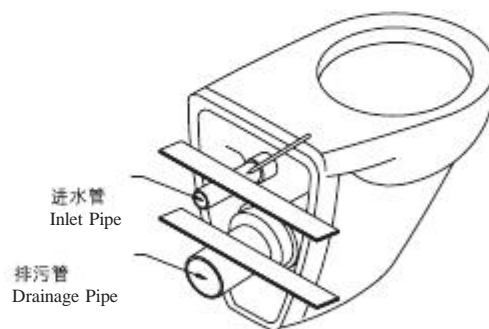


D. Installation of Toilet

D. 座便器安装方法

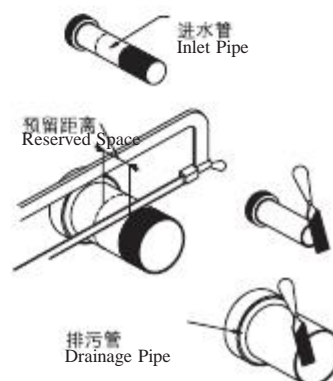
1. Install the inlet pipe to the lavatory as shown, and mark on the pipes at the back side of the tank with a ruler and a pencil, and reserve appropriate space according to the distance from the back of the tank to the inlet hole on the wall.

1. 按图将排污管、进水管装在座便器上，用直尺放在座便器后面的排污管、进水管用铅笔作标记。再根据座便器后面到墙壁排污头的实际情况作预留距离。



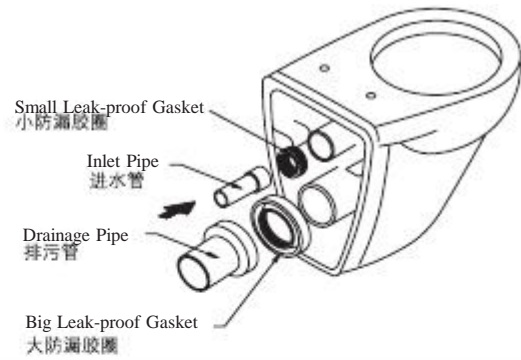
2. Eliminate unwanted part of the inlet pipe according to the marks of reserved space, and rasp a smooth surface with files.

2. 如图在排污管、进水管已作标记的后端预留的位置上将多余部分锯掉。然后再用锉刀将锯掉的面锉平整并倒角。



3. Install the big and small leak-proof gaskets on inlet pipe and outlet pipe ,then install it to corresponding pipes on the toilet tank.

3. 如图将座便器的排污管、进水管装上大、小防漏胶圈，然后装在座便器的相对应管道。



4. 48mm-58mm of the long screw shall be reserved outside the wall as shown in the illustration. if the long screw outside the wall is not long enough or much longer than that needed, it should be adjusted with screwdriver or by hand. Then apply lubricant to drainage pipe and limber pipe to ensure a smooth installation.

4. 如图长螺杆在墙壁上凸出来的尺寸应该保留48mm-58mm。假如长螺杆长度不够或过长就用手或螺丝刀适量调节。然后在排污头、排水孔上涂上润滑油，使排污管、排水管安装顺畅。



5. Install the toilet as shown in the illustration, and use a spirit level to ensure the lavatory to remain level.

5. 如图将座便器装上，并用水平尺测量座便器是否平衡。

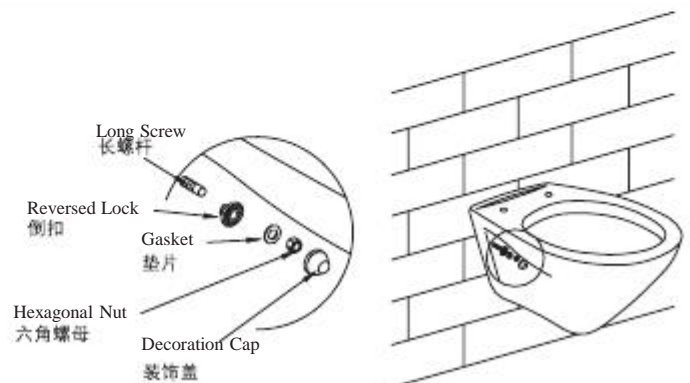


6. Install the reserved lock, gasket, hexagonal nut and decoration cap onto long screw according to the order shown in the illustration.

Note: Please refer to the installation instructions of toilet.

6. 如图首先将倒扣、垫片套在长螺杆上。然后拧紧六角螺母，最后盖上装饰盖即可。

注：实际安装座便器时，依照对应座便器的安装方法。



E. Faceplate Installation

E. 面板安装方法

1. Push slot A and slot B of the break water board forward and then insert into the detent.

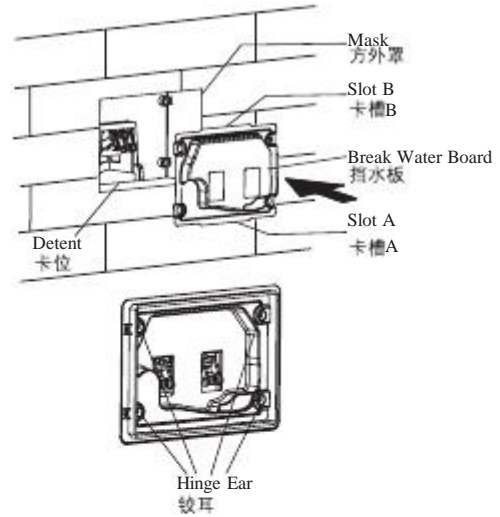
Tip 1: When installing the break water board, please make sure the slot is align with the detent.

Tip 2: After the break water board is installed, please make sure hinge ears are on the bottom.

1. 如图首先将挡水板的卡槽A、B向前推动插在方形罩里面的卡位上即可。

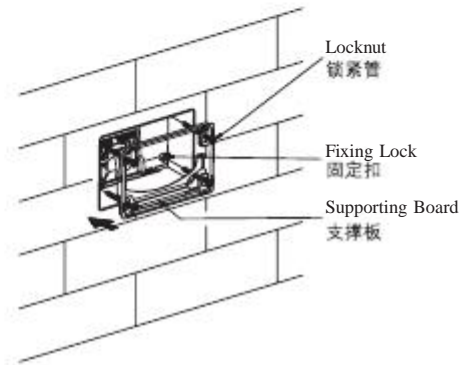
提示1：安装挡水板时注意挡水板卡槽的位置是否对上卡位。

提示2：挡水板完整安装后的铰耳是在挡水板的表面下层。



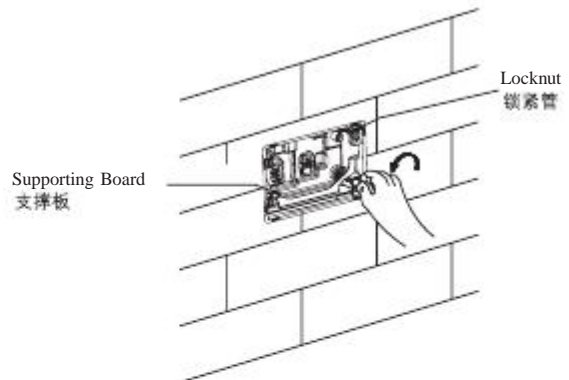
2. When tighten four locknuts on supporting board, adjust to "OPEN" mark as shown.

2. 如图将支撑板装上时，把四颗锁紧管调整在标识“OPEN”字样装上。



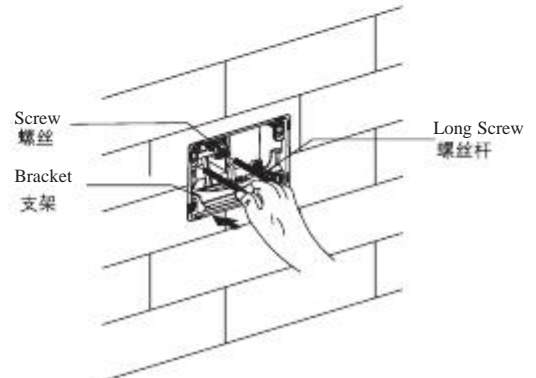
3. Tighten four screws to "LOCK" mark after nstalling supporting board as shown.

3. 如图将支撑板装上后，把四颗锁紧管旋转到“LOCK”字样即可。



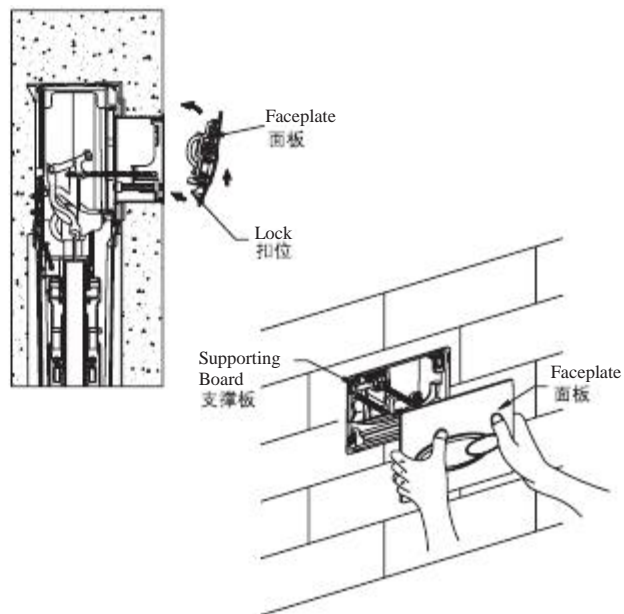
4. Tighten the long screws to the bolt through the hole.
Note: the long screw should be vertical to the wall.

4. 如图把两颗螺丝杆旋进在支架的螺丝上。
注：旋进时螺丝杆尾端要与墙壁垂直。



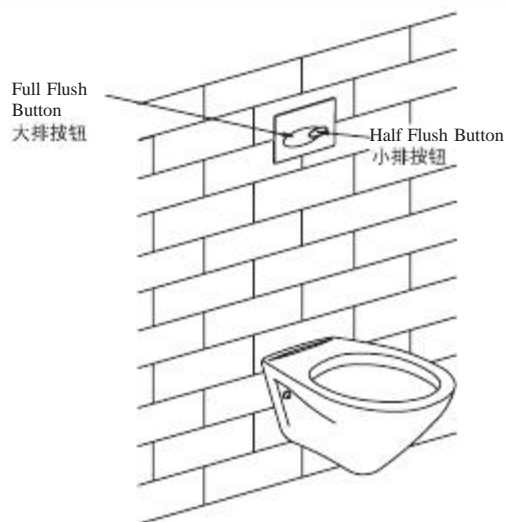
5. Install the faceplate as shown in the illustration. Put the lock on the faceplate directly on the reversed lock on supporting board, then push the faceplate and lock it. The installation shall begin from bottom to top.

5. 如图将面盖板的扣位对准调节板的倒扣。然后用力向上推，再向前扣紧。安装时要注意从下而上安装。



6. It is ready to use when connected to water supply after installation.

6. 安装完毕，通水使用。



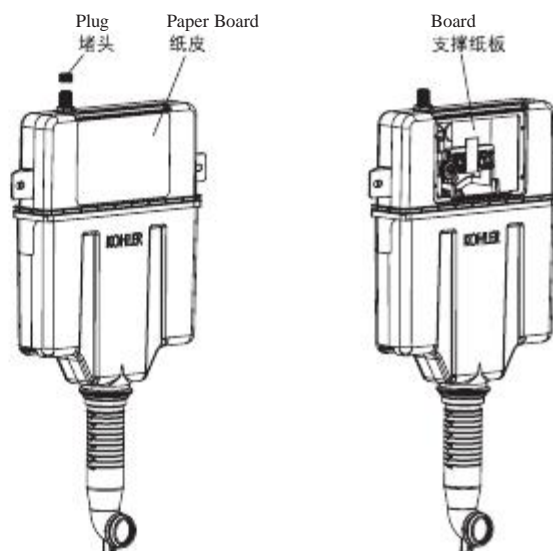
Installation For In-wall Tank Without Frame 无框架入墙式隐藏水箱座便器的安装

A. Installation of In-wall Tank

A. 隐藏水箱的安装

1. Remove in-wall tank from packing box. Remove paper board inside water tank first as shown. Then remove board and plug above bracket assembly.

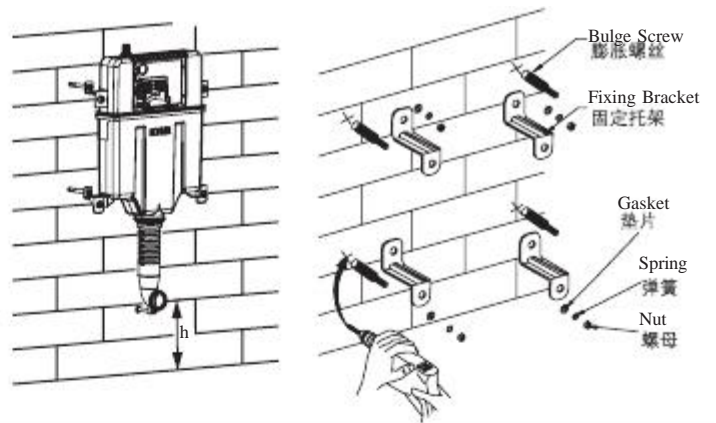
1. 从包装箱中取出隐藏水箱，如图首先把水箱里的纸片取下，再取出支架组件上方的支撑纸板和堵头。



2. Make sure of h according to dimensions of bowl and then locate the installation hole of fixing bracket. Mark on the wall for appropriate position for fixing bracket, and drill four holes with diameter of 10mm and depth of 80mm with churn drilling as shown in illustration, and fill in the holes with bulge screw and tighten the screw to set the fixing bracket.

Note: Ensure the fixing bracket to remain level.

2. 如图首先根据座便器的尺寸确定高度h，进而确定固定托架的安装孔。在墙壁上把固定托架的安装孔作记号后，用冲击钻钻四个Ø10mm 深80mm的小孔，然后装上膨胀螺丝，再把固定托架装在膨胀螺栓上拧紧螺母。
- 注：固定托架要保持平衡。



3. Put the tank onto the fixing bracket as shown in the right figure and adjust the tank to level. Then tighten screws with hex-head key. Note: it is a must to keep the tank level.

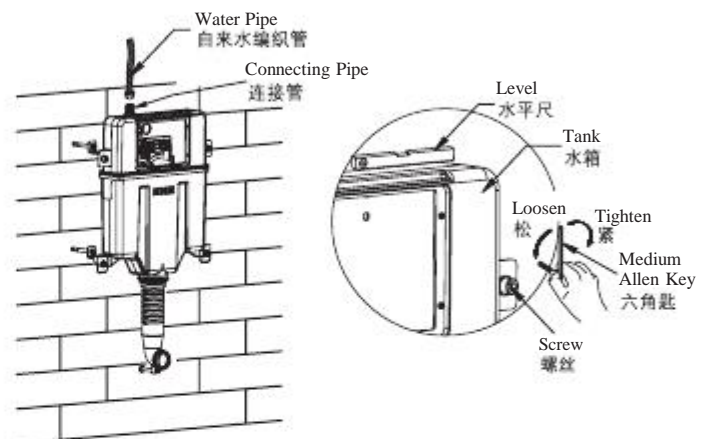
Connect the inlet hose with tank inlet pipe.

- Note: 1. Ensure water tank internal valve is OFF.
2. Suggestion: connect a temporary rubber or plastic hose on valve, flush water supply pipeline. Ensure water is clean, no residual sand stone or fouling inside pipeline.

3. 如图把水箱放在固定托架上，用水平尺调整水箱平衡，再用六角匙将螺丝拧紧。注：水箱一定要保持平衡。

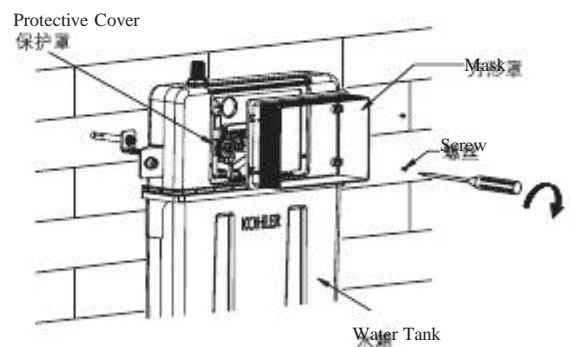
如图将自来水编织管装在水箱连接管上供水。

- 注：1. 确保水箱内部进水角阀为关闭状态。
2. 建议在连接供水时，在角阀上连接一个临时橡皮或塑料软管，冲洗供水管道，确保管路中的水干净，管道内无沙石、垢污等。



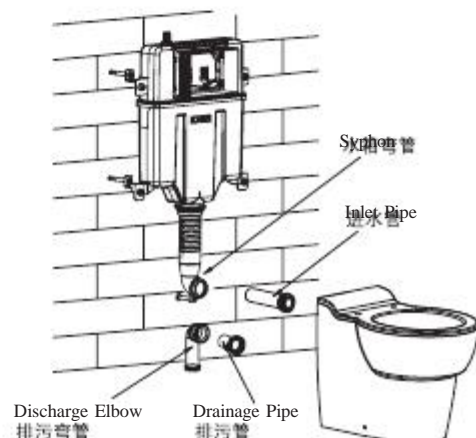
4. Install the mask in the block screen of the tank, and tighten the screw to fix the mask to the tank.

4. 如图将方形罩装在水箱的挡盖里，再拧紧螺丝使方形罩紧固在水箱上。



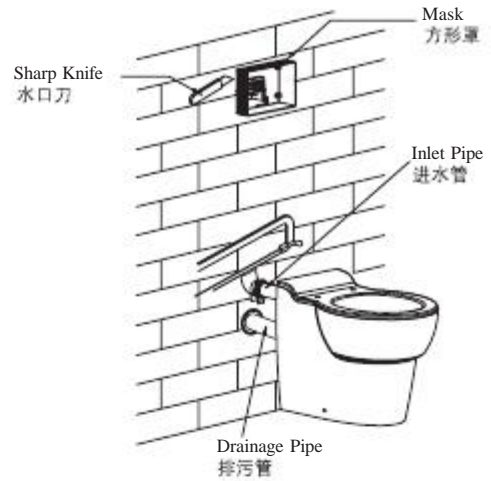
5. Insert the inlet pipe and drainage pipe into the bowl, and then adjust the syphon and drainage pipe to a proper position to be fixed into the bowl. Make sure of the positions of syphon and discharge elbow and then remove the bowl.

5. 如图将进水管和排污管装入座便器，然后调整水箱弯管及排污弯管到合适位置后装入座便器，以确定水箱弯管及排污弯管的位置，拆下座便器。



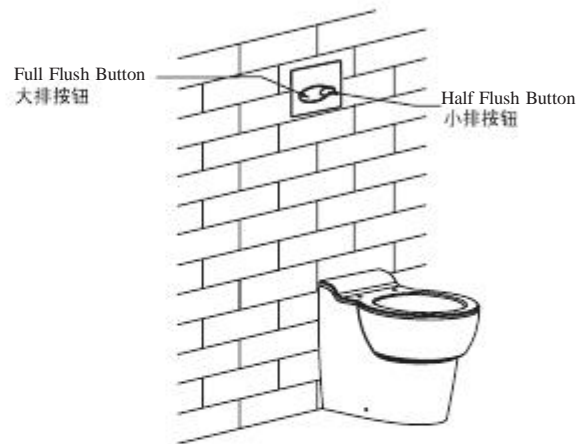
6. When finishing the brickwork, eliminate unwanted part of the mask, the drainage pipe and the inlet pipe.

6. 如图砌完墙后，将方形罩及进水管和排污管多余的长度用水口刀锯掉。



7. Fix faceplate according to step E and then it is ready for use.

7. 按照步骤E安装面板，安装完毕后可以使用。

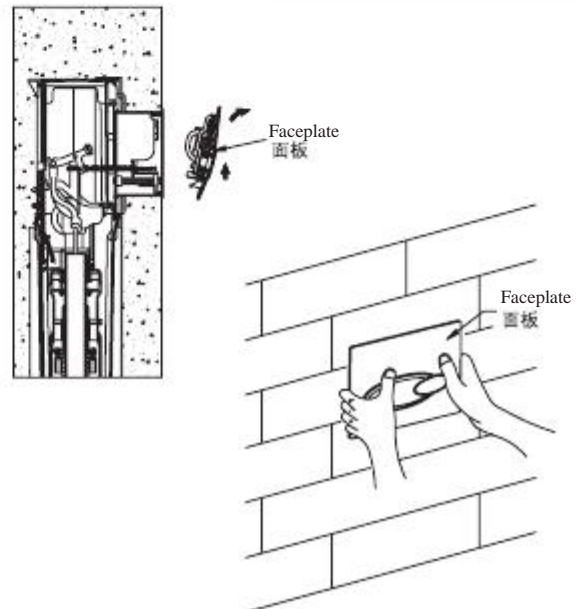


Finished Installation Illustration
安装完毕示意图

REMOVE AND MAINTENANCE OF THE OUTLET VALVE 排水阀拆卸与维护

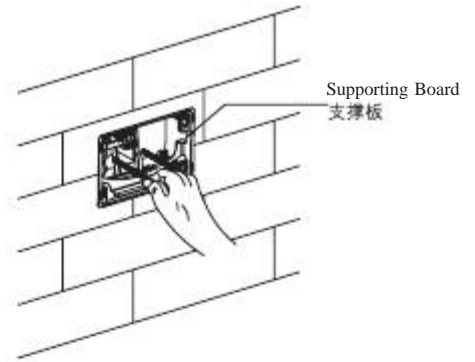
1. Hold the faceplate with both hands and push upward to take down the faceplate.

1. 如图拆卸面盖板时，用双手握住面盖板用力向上推就可以打开面盖板。



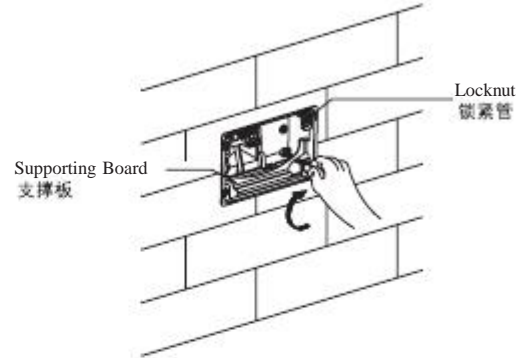
2. Loosen the long screws as shown.

2. 如图把两颗螺丝杆旋出。



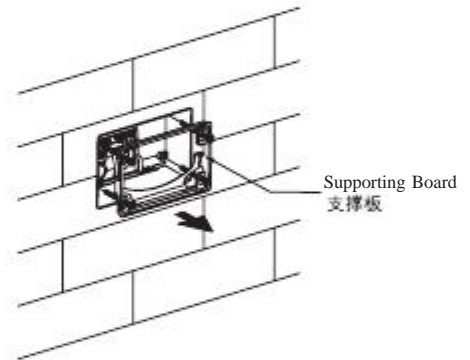
3. Tighten the locknut to the marked position of "OPEN" to take out the supporting board.

3. 如图将支撑板拆卸时注意四颗锁紧管要全部对准 "OPEN" 字样。



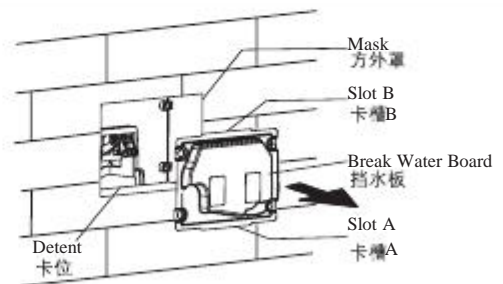
4. Take out the supporting board as shown.

4. 如图拆出支撑板。



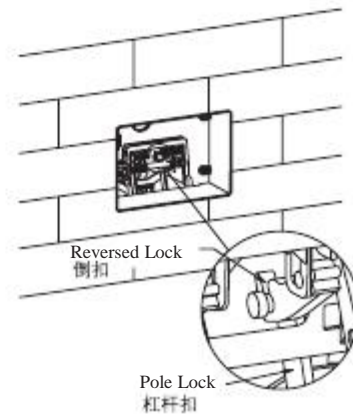
5. Take out the break water board.

5. 取下挡水板。



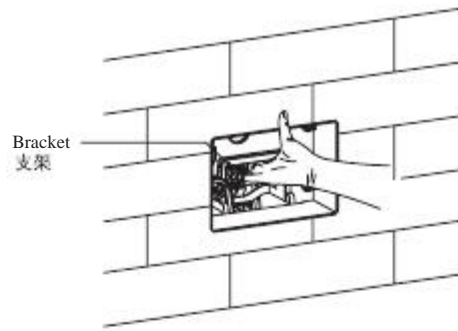
6. Take out the pole lock and the reversed lock as shown.

6. 如图将倒扣里的两端排水阀杠杆扣取出。



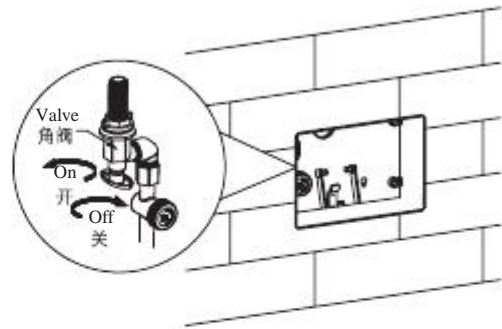
7. Hold the top of the bracket, and unplug the locknut by pulling the bracket.

7. 如图用手握住支架的上端，然后用力向上提拉把支架的锁紧拨开。



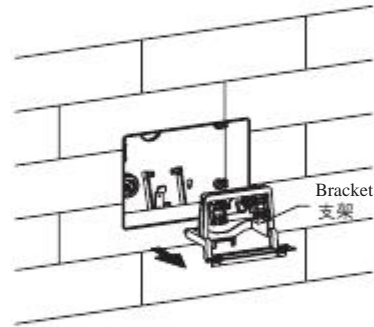
8. Turn on/off the water supply
Turn on/off the water supply by turning the valve.

8. 打开或关闭水源
如图旋转角阀的开关可使水源打开或关闭。



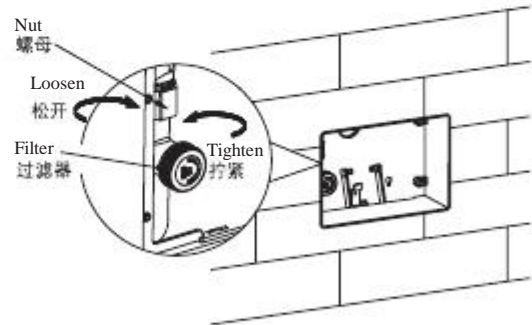
9. Take out the bracket as shown.

9. 如图取出支架。



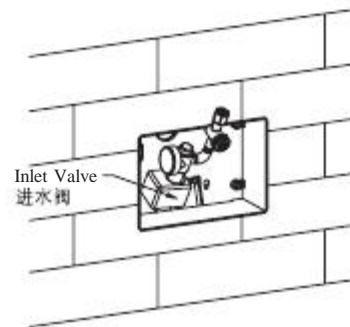
10. Loosen the filter nut as shown, and then take out the inlet valve.

10. 如图把过滤器的螺母旋松，然后取出进水阀。



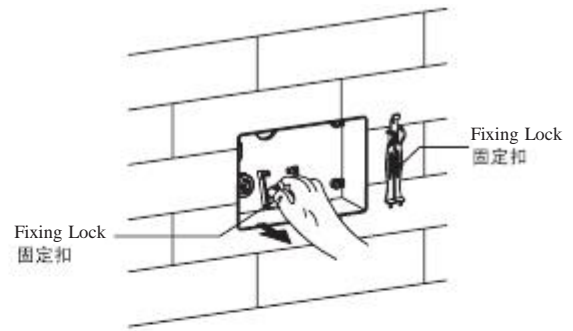
11. Loosen the filter nut as shown and take out the inlet valve to clean or adjust.

11. 如图将过滤器的螺母旋松后，取出进水阀清洁或调节。



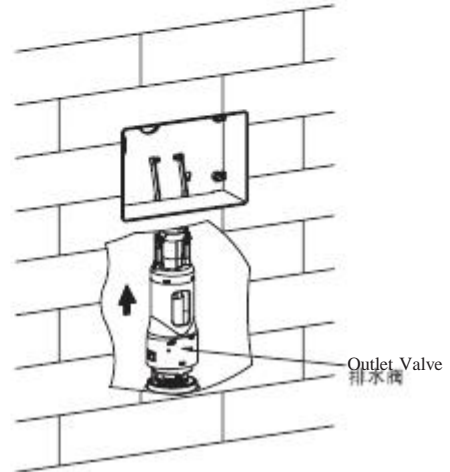
12. Hold the upside of the fixing lock, and take it out as shown.

12. 如图用手握住固定扣的上端向箭头方向拨动，然后取出固定扣。



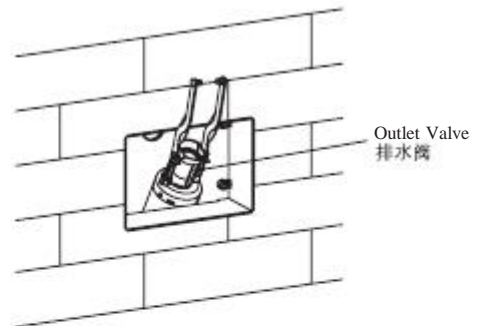
13. Pull discharge valve along the arrow direction as shown to remove discharge valve.

13. 如图将排水阀向箭头方向旋转，可使排水阀取出。



14. Remove discharge valve as shown and then take valve out for cleaning or adjusting.

14. 如图将排水阀取出后可清洁或调节。

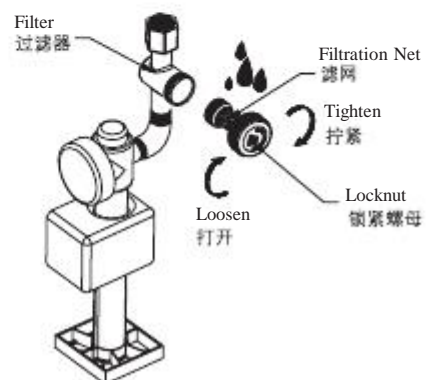


A. Wash Filtration Net

Close corner valve first, then loosen and take out the tighten nut, and wash the waste on filtration net with clean water. then reset the tighten nut to the original position.

A. 清洗过滤器

如图将过滤器的锁紧螺母旋松取出用清水清洗滤网泥沙，然后将锁紧螺母装回原位锁紧即可。

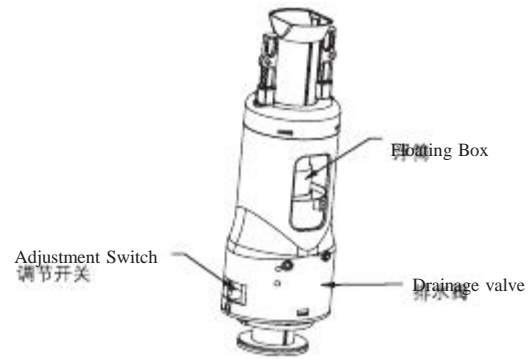


B. Adjust Drainage Valve

Drainage volume and overflow level of the tank can be adjusted by drainage valve: 1) heavy drainage adjustment: open adjustment switch to open the small hole. 2) slight drainage adjustment: adjust the height of floating box and the water level of slight drainage will be at the bottom of the floating box.

B. 排水阀的调校

如图排水阀可调节水箱排水量大小: (1) 大排水调节方法: 打开调节开关, 使小孔打开。(2) 小排水调节方法: 调节浮筒高度, 小排水水位一般到浮筒底部。

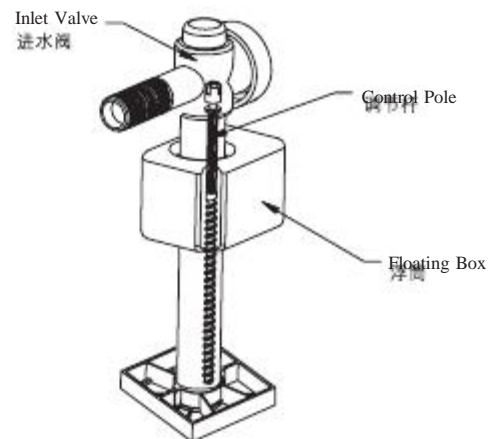


C. Adjust Inlet Valve

Hoist and reduce the water level in the tank by adjusting the control pole. Turn the control pole counterclockwise to lower down the floating box and reduce the water level of the tank. Turn the control pole clockwise to hoist the floating box and increase the water level in the tank.

C. 进水阀的调校

如图调校调节杆可以使水箱水位升高或降低。当逆时针旋转调节杆时, 浮筒下降, 水箱水位就低。顺时针旋转调节杆使浮筒上升, 水箱水位高。



TROUBLE SHOOTING PROCEDURES

故障排除

Symptoms	Probable Causes	Recommended Action
No water fills in via inlet valve	The inlet valve is closed.	Open inlet valve.
	Floating box of inlet valve is blocked by other parts.	Readjust the position of other parts to avoid contacting the floating box when it is functioning.
	Floating box of inlet valve is block by waste.	Wash the floating box with clean water.
No drainage when pressing the heavy and slight drainage button	The adjustable board and the long screw are wrongly installed.	Reinstall the long screw.
	The pole and the reversed lock are not connected.	Reinstall the reversed lock onto the pole of the outlet valve.
Too high or too low water level	The floating box of the inlet valve is not properly adjusted.	Readjust the water level.
Leak of the toilet and squat	The floating box of the inlet valve is blocked by wastes, so the water is leaked from the overflow pipe.	Readjust the position of other parts to avoid contacting the floating box when it is functioning.
	The rubber gasket is blocked by wastes.	Take out the outlet valve and clean the wastes.
Toilet does not flush	A. No water supply.	A. Wait for restoration of water supply.
	B. The water supply stop is closed.	B. Open the water supply stop.
Toilet does not flush completely	Filter screen is clogged.	Refer to wash filtration net.

	A. B.	A. B.