

安装脸盆

将模板放在台面上。

安装靠墙式水龙头，保证出水嘴悬于脸盆池上有足够的距离。需要出水嘴的最小长度资料，请参阅尺寸说明。

安装台式水龙头，安放水龙头时，要如下列提示一样，特别注意出水嘴与把手的配合间隙。利用模板将水龙头出水嘴孔中心线放在台板上。建议此中心线在脸盆边缘与出水嘴间留有足够的距离。

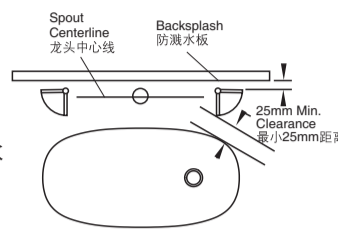


Fig. #2 图2

检查防溅木板或后墙，水龙头出水嘴与把手之间是否有足够的间隙。我们建议至少留 25mm 的间隙。在：

- 安好的脸盆与水龙头出水嘴之间。
 - 安好的脸盆与把手末端之间。
 - 水龙头出水嘴、把手与防溅木板或后墙之间。
- 注意：在中国一般不会单独安装防溅木板。安装脸盆的后墙即为防溅木板。需要了解所需间隙，请参阅水龙头安装说明书，并用一软性铅笔标出要安装水龙头的孔的位置。

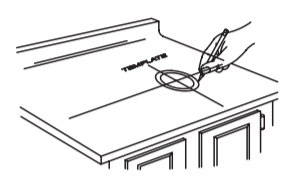


Fig. #3 图3

用一软性铅笔在台面上沿模板画线。

INSTALLATIONS

Position the template on the countertop.

For Wall-mount faucets: Be sure to provide sufficient spout overhang into the lavatory basin. See the roughing-in notes for minimum spout length information.

For Countertop Faucets: Pay special attention to the spout and handle fit clearance when locating the faucet, as noted below. Use the template to locate the faucet spout hole centerline on the countertop. This centerline is recommended to provide adequate clearance between the edge of the lavatory and the spout.

Check for adequate clearance between the backsplash or wall faucet spout and handles, and lavatory. We recommend clearance of at least 25mm between:

- The installed lavatory and the faucet spout.
- The installed lavatory and the end of the faucet handles, and
- The faucet spout and handles and the backsplash or wall.

NOTE: In china installation will not have separate backsplash. The back wall is the "backsplash". Refer to the faucet installation instructions for required clearance, and mark the preferred faucet hole locations using a soft lead pencil.

Trace the template on the countertop using a soft lead pencil.

仔细地沿软性铅笔切割开孔。

小心：提防身体受伤或损坏产品。大型脸盆相当重，须请人帮忙一起搬动及安放。

检查脸盆、水龙头及防溅木板或后墙之间的间隙是否适当。

将脸盆从台面切口处移开并将其放入起保护作用纸箱中。不可将脸盆直立放置或将排水一侧放在地上。

钻好水龙头口。

依照制造商的说明书，将水龙头安装在台面上。

对于瓷砖、木材或其它多孔材料，请使用防水密封胶涂沫在台面的切口处。遵守制造商提供的一切说明及警告。待密封胶干后，方可进行安装。

将密封胶轻轻地涂在台面的切口四周，使其横靠切口洞上。在拆除支撑材料前，请调整一下密封胶涂抹的地方，擦去多余的密封胶。仔细地将支撑密封胶的材料移开。

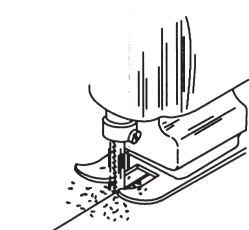


Fig. #4 图4



Fig. #5 图5

Cut out the opening by carefully following the pencil line.

CAUTION: Risk of personal injury or product damage. Large lavatories are very heavy. Get help lifting the lavatory into place.

Verify proper clearance between the lavatory, faucet, and backsplash.

Remove the lavatory from the countertop cutout, and return it to its protective carton. Do not stand or store the lavatory on the drain surface.

Drill the faucet holes.

Install the faucet to the countertop according to the manufacturer's instructions.

For tile, wood, or other porous materials, apply waterproof sealant around the cutout area of the countertop surface. Follow all manufacturer's instructions and warnings. Allow the sealant to dry before proceeding.

Loosely apply the adhesive sealant around the entire countertop cutout so it is alongside the cutout hole. Adjust the placement of the sealant before removing the backing material. Cut off any excess seal material. Carefully remove the adhesive seal backing material.

小心：提防身体受伤或损坏产品。大型脸盆相当重，须请人帮忙一起搬动及安放。

台面反面需加强，建议大于 300mm x 300mm。

小心地将脸盆放入台面切口适当位置，用螺栓固定。

注意：台面需加强，建议大于 300mmx300mm。

用4根螺丝穿过台面和加强板固定脸盆。

联接水龙头供水管。

连接落水尾管，将包装中随附的落水尾管拧紧至落水尾管下端，在其中使用橡胶垫片以防漏水。

联接排水装置。

开启水龙头阀门，检查有无渗漏。

用非腐蚀性清洁剂来清洁。

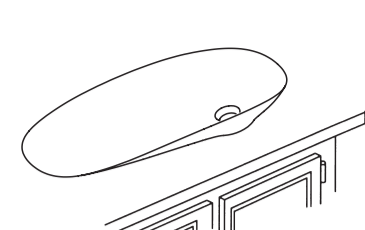


Fig. #6 图6

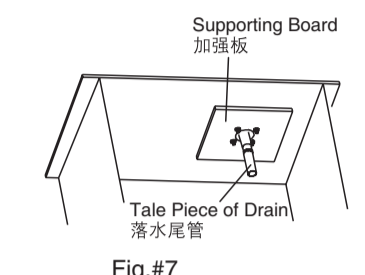


Fig. #7 图7

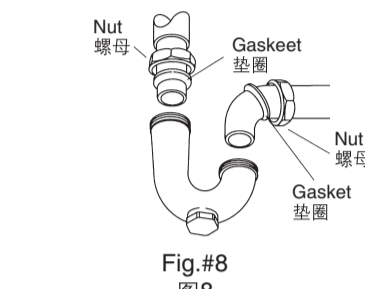


Fig. #8 图8

CAUTION: Risk of personal injury or product damage. Large lavatories are very heavy. Get help lifting the lavatory into place.

The countertop should be strengthened at its back to be more than 300mm x 300mm. Carefully put the vessel into the cutout and fix with screw bolts.

Note: The countertop should be strengthened to be more than 300mmx300mm.

Fix the vessel by inserting the 4 screws through the countertop and the supporting board.

Connect the faucet supply lines.

Connect tale piece of drain. Screw tight the tale piece of drain provided to the bottom of the drain. Use rubber gasket to prevent leakage.

Connect the drain assembly.

Open the faucet valves, and check for leakage.

Clean up with a non-abrasive cleaner.

护理和清洁

为保持脸盆光洁如新，须确保每次使用后彻底冲洗干净。切勿使用腐蚀性的清洁剂，以免刮花及破坏脸盆的表面。要清除顽固污垢，油漆或柏油，可使用松油或油漆稀释剂。

CARE AND CLEANING

To keep your lavatory looking new, make sure you rinse it out thoroughly after each use. **DO NOT USE ABRASIVES** on this product, as they will scratch and ruin the surface. Stubborn stains, paint, or tar can be removed with turpentine or paint thinner.

脸盆边缘
RIM OF LAVATORY

KOHLER®

K-1044T 丝蔓 SHEET SOFT

CUT-OUT TEMPLATE / INSTALLATION INSTRUCTIONS

铸铁时尚碗盆
CAST IRON VESSEL
切割图/安装说明书

安装之前

- 遵守当地所有给排水及建筑规定。
- 检查污水管及供水管，如有需要请更换。
- 台式脸盆可使用此说明书，请遵照适合您安装需要的说明进行。
- 根据您所需的安装地及安装风格，您可选择龙头靠墙安装或台式安装。建议您采用靠墙式龙头。
- 安装之前，先开自新脸盆的包装，并小心检查新的脸盆是否有损坏。再将脸盆放回包装盒内，到安装时才取用。
- 本说明书所有一切资料，均以印刷时所有的最新产品为准。科勒公司保留随时更改产品特性、包装或供应情况的权利，恕不另行通知。
- 此说明书包括重要的护理、清洁及保修资料请将此说明书交用户留存。
- 脸盆自重18kg。

所需工具及材料 (不随货供应)

- 密封胶
- 安装模板(已提供)
- 安全眼镜
- 炭笔
- 剪刀
- 卷尺
- 孔锯
- 匙孔锯或军刀状锯
- 电钻(直径为13mm的钻锥或更大的钻锥)
- 螺丝刀

BEFORE YOU BEGIN

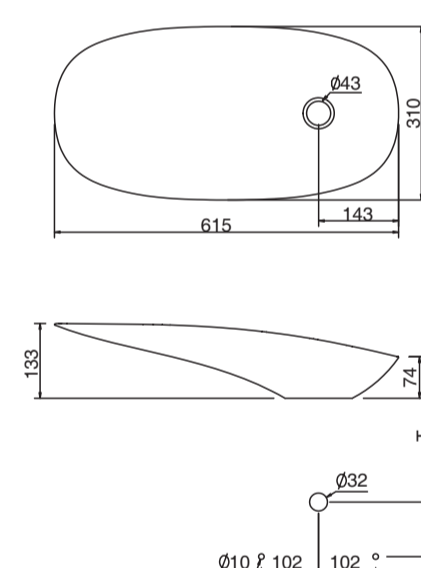
- Observe all local plumbing and building codes.
- Check waste pipe and supply pipe. Replace if necessary.
- Use these instructions for above-counter installation. Please follow the instructions that apply to your installation.
- You can choose between a wall-mount or countertop faucet installation, depending upon the setting and styling you desire. We recommend a wall-mount faucet.
- Prior to installation, unpack the new lavatory and carefully inspect it for damage. Return the lavatory to its protective carton until you are ready to install it.
- All information in these instructions is based upon the latest product information available at the time of publication. Kohler China reserves the right to make changes in product characteristics, packaging, or availability at any time without notice.
- These instructions contain important care, cleaning, and warranty information. Please leave these instructions for the consumer.
- The vessel weighs 18kg.

TOOLS AND MATERIALS REQUIRED (NOT SUPPLIED)

- Sealant
- Template (supplied)
- Safety glasses
- Pencil
- Scissors
- Tape Measure
- Hole Saw
- Keyhole saw or saber saw
- Drill (1/2" dia. Drill bit, or larger)
- Screwdriver

尺寸图

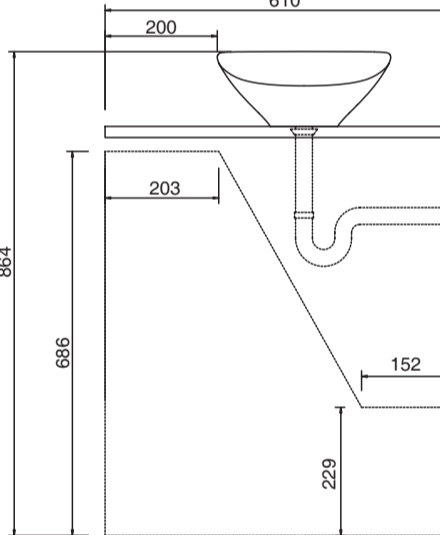
Reference Value
参考值



尺寸资料
产品尺寸均为标准值，误差均符合美国机械工程师协会(ASME)A112.19.2标准。
(T) 使用提拉杆去水头238mm。
(S) 356mm: 此尺寸根据305mm窗口计算，须按实际情况调整。
采用图示中心线安装时，确保水流与脸盆边缘间至少有50mm。
出水嘴须最少高达76mm(从脸盆最高点到出水嘴垂直距离)并根据ASME A112.1.2标准，有25mm间隙。

ROUGHING-IN

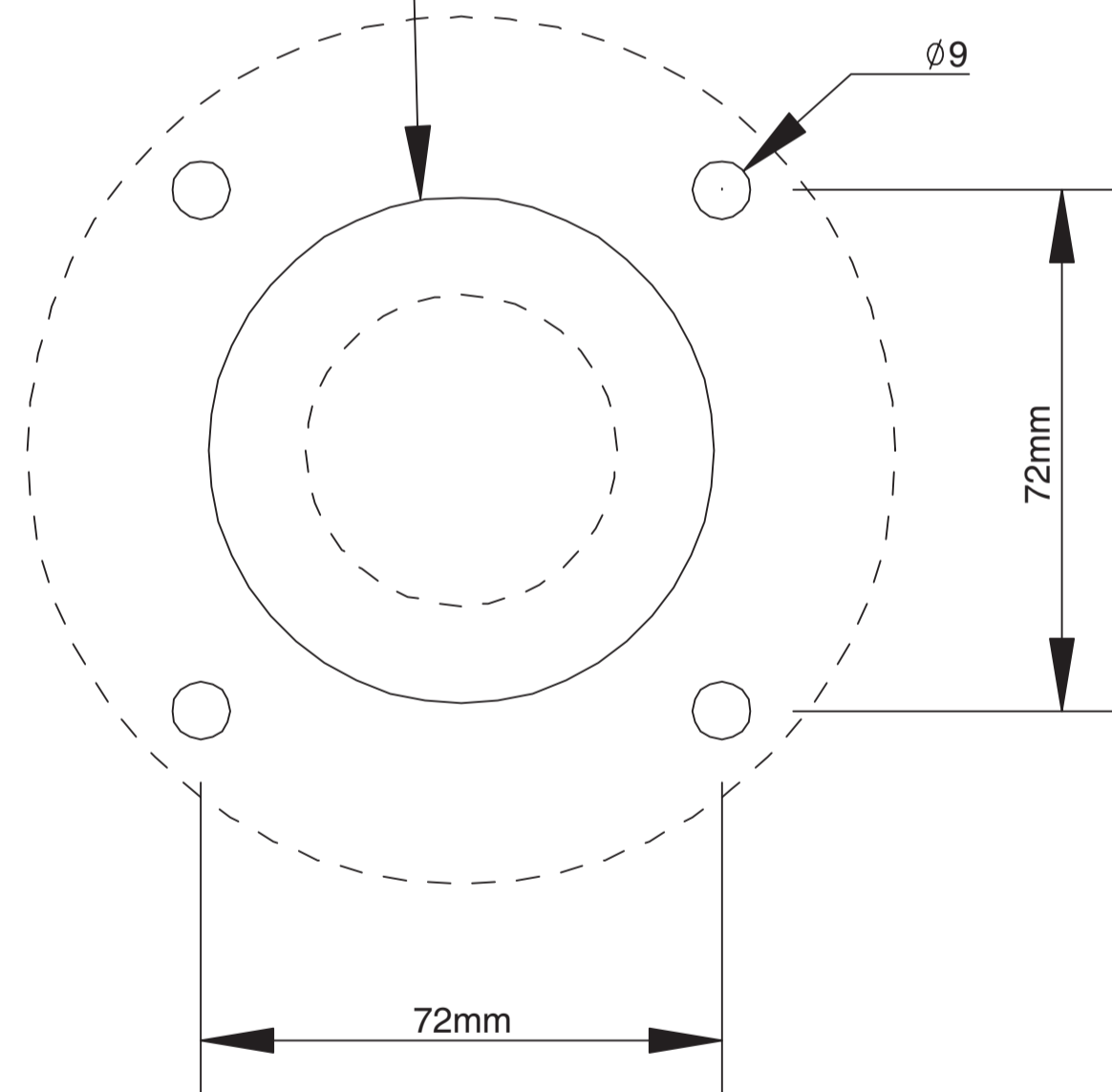
UNIT: mm
单位: 毫米



Roughing-In Notes
Fixture dimensions are nominal and conform to tolerances in ASME Standard A112.19.2.
(T) Pop-up drain 238mm.
(S) 356mm: (Based on 305mm riser which may require cutting).
Minimum 50mm distance from water stream to the vessel rim edge when installed with centerline as shown.
Conform to tolerances in ASME Standard A112.1.2, spout must be tall enough to clear 76mm rim height(vertical distance from top of the vessel to spout)and provide 25mm air gap.

科勒公司保留随时变更图中标示尺寸的权利，无需另行通知。
Kohler reserves the right to change marked dimensions without prior notice.

沿此线切割
CUT ALONG THIS LINE $\phi 70$



615mm

1225682-T01-A

上海科勒有限公司
上海市奉贤区民乐路368号 邮编: 201419

© 版权为科勒中国有限公司所有, 2013
© Copyright Kohler China Ltd., 2013