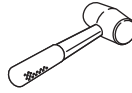
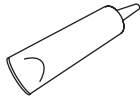
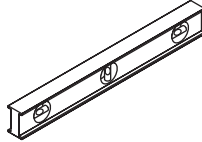


Installation and Care Guide 安装保养手册

LITHOCAST GLOSS FREESTANDING BATH 灵雅石独立浴缸

KOHLER CHINA INVESTMENT CO., LTD NO.158, JIANG CHANG SAN ROAD,
JING'AN DISTRICT, SHANGHAI, PRC POST CODE: 200436
科勒（中国）投资有限公司 上海市静安区江场三路 158 号 邮编：200436

Tools and Materials



Silicone Sealant

Sealant Tape

Rubber Mallet

Plus:

- Drop Cloth
- Lifting Straps
- Shims
- 2x4s
- Common Woodworking Tools
- 1-1/2" PVC Pipe (Approximately 15cm Long)

Before You Begin



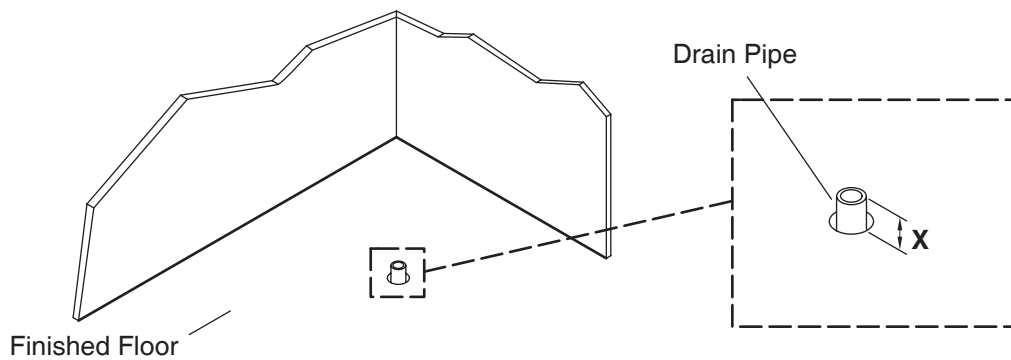
CAUTION: Risk of personal injury. This bath is extremely heavy. Obtain sufficient help and use lifting straps to carefully lift or move the bath.

IMPORTANT! To ensure a successful installation, install the bath on a level finished floor.

- Observe all local plumbing and building codes.

IMPORTANT! The drain components, drain cover and gaskets are included in a small box within the carton. Make sure you locate and retain the small box before discarding the carton and packing material.

- Unpack and inspect the bath for damage. Return the bath to the carton until installation.
- To simplify future maintenance, make sure all plumbing connections around the bath are easily accessible.
- Carefully plan moving the bath into the installation area. This bath is heavy and will not easily fit through doorways.
- Install the bath to an adequately supported, level finished floor.
- This bath is designed for freestanding installation only.
- This bath features an integral, cast overflow.
- Install a floor- or ceiling-mounted bath filler with this freestanding bath.
- Illustrations shown may not look like your actual product but they still apply to this installation.
- This bath conforms to CSA B45.5/IAPMO Z124. All dimensions are nominal.



1. Prepare the Site

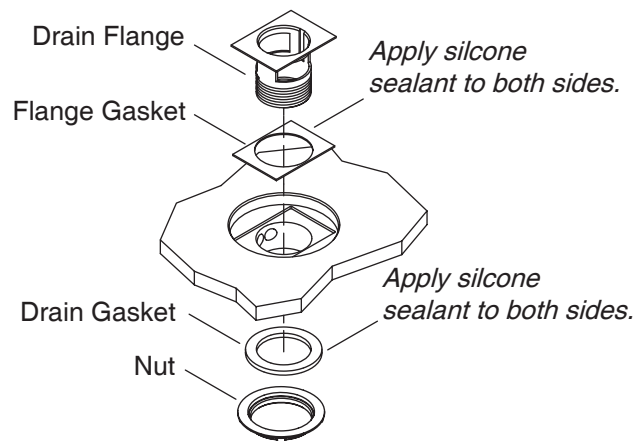
NOTICE: Provide adequate floor support.

NOTICE: Measure your product for site preparation.

- Determine the location of the bath.

IMPORTANT! To ensure a successful installation, install the bath on a level finished floor.

- Position and install a standard PVC or brass drain pipe. Install the drain pipe so it extends above the finished floor - "X" dimension. Refer to the product specification sheet for the "X" dimension.



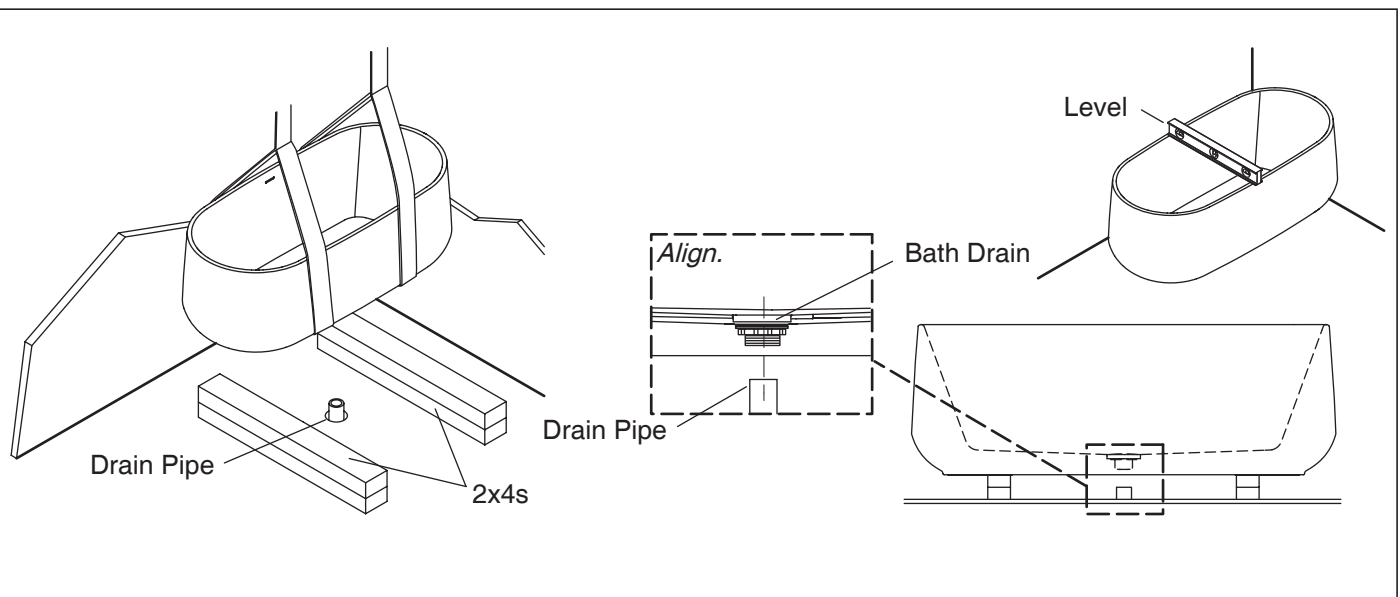
2. Install the Drain

CAUTION: Risk of personal injury. This bath is extremely heavy. Obtain sufficient help and use lifting straps to carefully lift or move the bath.

- Place a drop cloth on the floor.
- With help, use lifting straps to carefully place the bath on its side.

NOTE: The gaskets are included in a small box located within the bath carton.

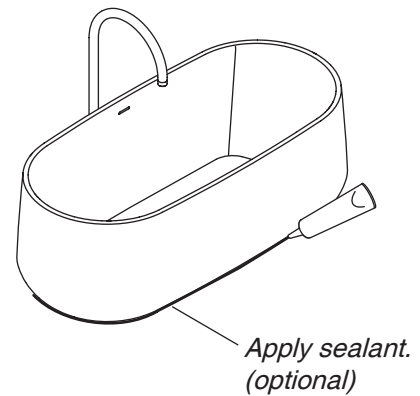
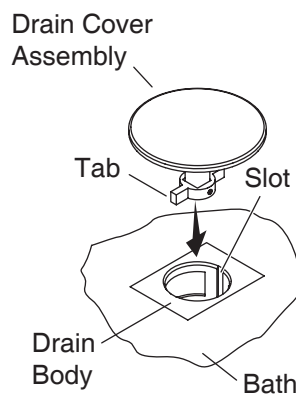
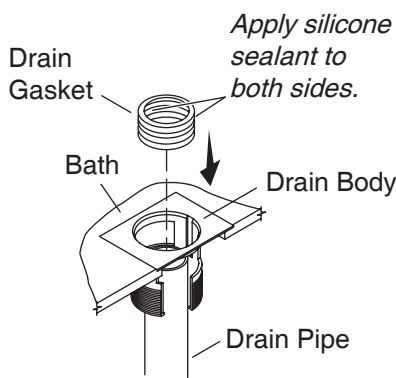
- Apply silicone sealant to both sides of the flange gasket and drain gasket to act as a lubricant.
- Apply sealant tape to the drain flange threads.
- Install the flange gasket, drain flange, drain gasket to the bath. Secure the drain flange using nut.



3. Install the Bath

⚠ CAUTION: Risk of personal injury. This bath is extremely heavy. Obtain sufficient help and use lifting straps to carefully lift or move the bath.

- Stack together two 6' (1.8 m) lengths of 2x4 lumber. Secure each set of stacked 2x4s together with nails or screws.
- Position the stacked 2x4s on each side of the drain pipe to temporarily support the bath.
- With help, use lifting straps to carefully lift the bath into position on the 2x4s so the bath drain is over the drain pipe.
- Carefully reposition the bath as needed so the bath drain is directly over the drain pipe.
- Use lifting straps and get additional assistance to remove the 2x4 supports and carefully set the bath on the floor. Adjust the bath position as needed to ensure that the drain pipe is in the center of the bath drain hole.
- Verify that the bath is level. Install shims as needed.



4. Install the Plumbing

CAUTION: Risk of property damage. Make sure a watertight seal exists on all bath drain connections.

Make the Drain Connections

NOTE: The drain cover is included in a small box located within the carton.

- Choose the thin drain gasket for PVC drain pipes or the thick gasket for brass pipes.
- Apply silicone sealant to the inside and outside surfaces of the drain gasket to act as a lubricant.
- Install the drain gasket onto the drain pipe. Use a rubber mallet and 1-1/2" PVC tubing to seat the gasket into the drain flange.

CAUTION: The edges of drain flange openings may be sharp.

NOTE: Make sure there is no interference with the drain gasket and the drain flange openings. The gasket must sit below the drain flange slots for the drain cover to work properly.

- Reassemble the drain cover assembly. Line up the tabs on the drain cover with the slots in the drain body and insert the drain cover assembly.
- Press the drain cover several times to make sure the drain opens and closes properly.

Apply Sealant - Optional

- If desired, apply a thin, continuous bead of clear or color-matched silicone sealant to the seam between the bath and the finished floor.

Install the Bath Filler

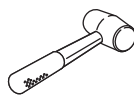
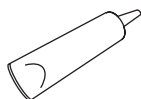
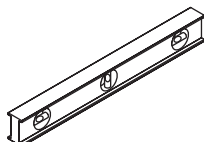
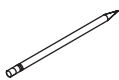
- Install the faucet valve and trim according to the faucet manufacturer's instructions.
- Close the bath drain. Fill the bath to the overflow, and check for leaks.

Care and Cleaning

For best results, keep the following in mind when caring for your KOHLER product:

- Always test your cleaning solution on an inconspicuous area before applying to the entire surface.
- Wipe surfaces clean and rinse completely with water immediately after applying cleaner. Rinse and dry any overspray that lands on nearby surfaces.
- Do not allow cleaners to soak on surfaces.
- Use a soft, dampened sponge or cloth. Never use an abrasive material such as a brush or scouring pad to clean surfaces.

所需工具及物料



密封硅胶

密封胶带

橡胶锤

外加：

- 垫布
- 搬运带
- 薄垫片
- 2×4 支撑架
- 木工常用工具
- 1-1/2" PVC 管 (约 15cm 长)

安装之前

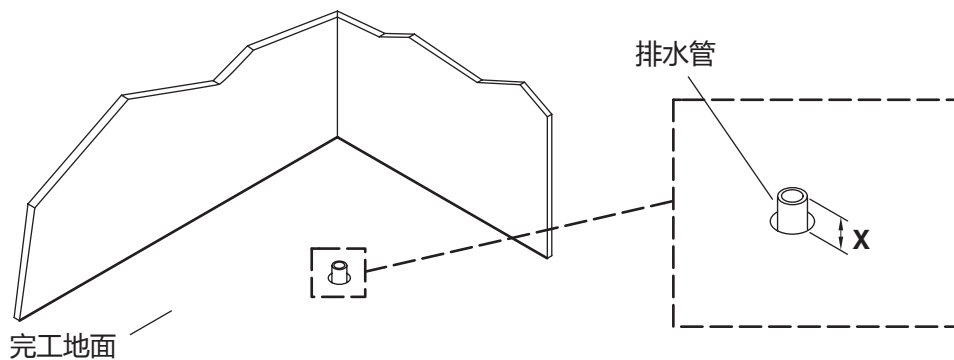
 **注意：避免人员受伤。** 本浴缸相当重。请使用搬运带小心地吊起或移动浴缸。

重要信息！ 为了确保成功安装，请在水平、完工地面上安装浴缸。

- 遵守当地所有给排水及建筑规定。

重要信息！ 排水组件、排水盖、垫圈放在包装箱的小配件盒内。找到并保管此小配件盒，才能丢弃包装箱和包装材料。

- 小心地打开包装箱并检查浴缸是否损坏。将浴缸放回包装箱，等待安装。
- 为简化将来维护操作，确保浴缸周围的所有给排水接口均方便检修。
- 请小心将浴缸搬到安装区域。浴缸很重，搬进房门时可能不太容易。
- 将浴缸安装在足够支撑、水平完工地面上。
- 本浴缸的设计仅适合独立式安装。
- 本浴缸为整体浇铸，包含溢水口。
- 安装与本独立式浴缸适配的落地或嵌入式浴缸龙头。
- 本文中的插图可能与实物有所不同，但仍适用于此安装。
- 该浴缸符合 CSA B45.5/IAPMO Z124 的要求。所有尺寸均为额定尺寸。



1. 准备安装地点

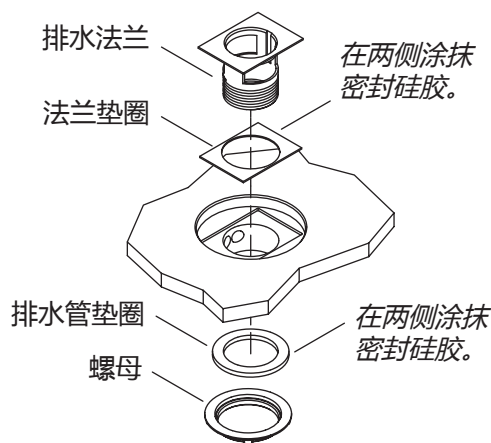
注意：确保地面具有足够的支撑力。

注意：测量产品尺寸，准备安装地点。

- 确定浴缸位置。

重要信息！为了确保成功安装，请在水平、完工地面上安装浴缸。

- 定位，并安装标准的 PVC 或黄铜排水管。安装排水管时，使其一端延伸到完工地面以上“X”尺寸。有关“X”尺寸的信息，请参阅产品规格表。



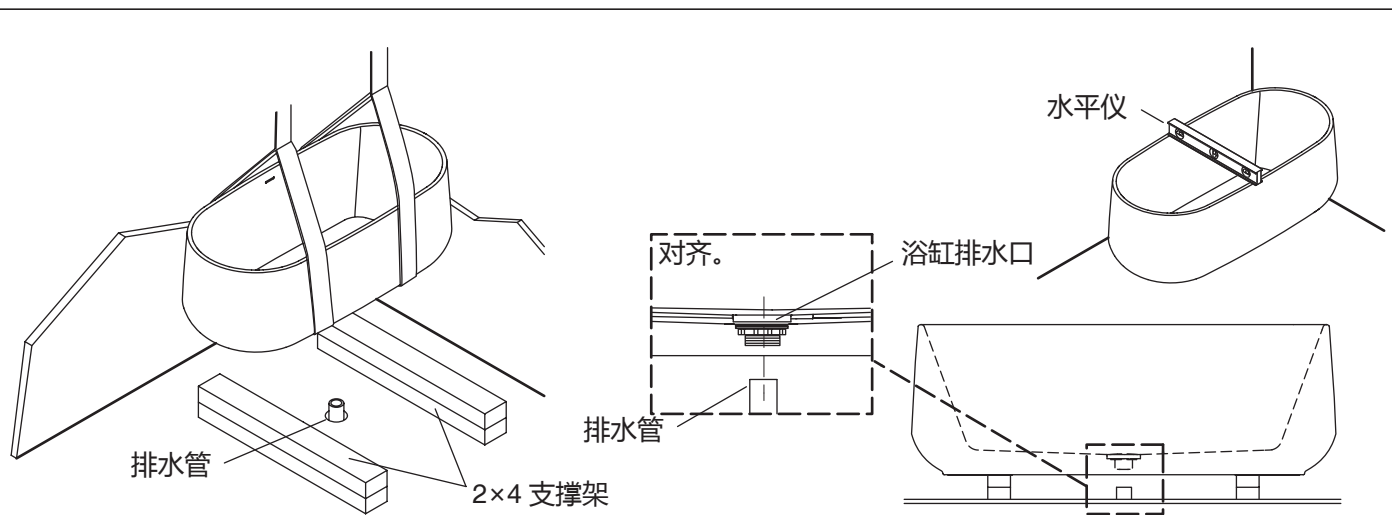
2. 安装排水管

⚠ 注意：避免人员受伤。本浴缸相当重。请使用搬运带小心地吊起或移动浴缸。

- 在地面上盖一块垫布。
- 请人帮忙一起用搬运带将浴缸小心侧放。

注：所需垫圈在浴缸包装箱的小配件盒内。

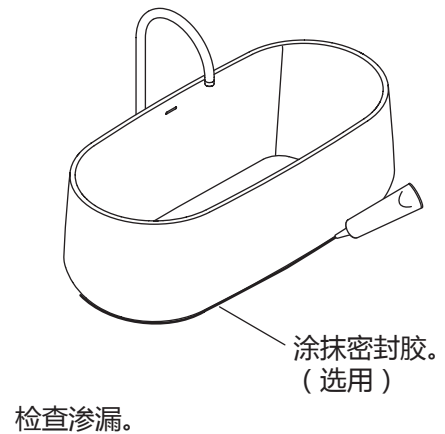
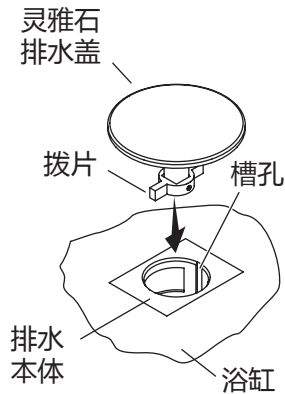
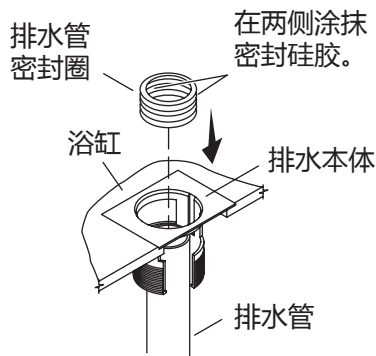
- 在法兰垫圈、排水管垫圈两侧涂抹密封硅胶，起润滑作用。
- 在排水法兰螺纹上缠绕密封胶带。
- 安装浴缸的法兰垫圈、排水法兰、排水管垫圈。用螺母固定排水法兰。



3. 安装浴缸

⚠ 注意：避免人员受伤。 本浴缸相当重。请人帮忙用搬运带小心地吊起或移动浴缸。

- 将两根长 1.8 米的 2×4 支撑架堆在一起。用铁钉或螺丝将每组堆在一起的 2×4 支撑架固定。
- 将堆叠后的 2×4 支撑架放在排水管的两侧，用于临时支撑浴缸。
- 请人帮忙用搬运带将浴缸小心地升到 2×4 支撑架上，使浴缸排水口在排水管上方。
- 根据需要，小心重新调整浴缸的位置，使浴缸排水口正好在排水管上方。
- 请人帮忙一起用搬运带移开 2×4 支撑架，然后将浴缸小心地放在地面上。根据需要，调整浴缸位置，确保排水管在浴缸排水口的中央。
- 确认浴缸处于水平状态。根据需要在浴缸底部安装薄垫片。



4. 安装卫生管道

⚠ 注意：避免损坏浴缸。 浴缸的所有排水接口都要确保做防渗密封。

排水接口的处理

注：所需排水盖放在包装箱的小配件盒内。

- 若使用 PVC 排水管，请选用薄排水管垫圈，若使用黄铜管，则选用厚垫圈。
- 在排水管垫圈内外表面涂抹密封硅胶，起润滑作用。
- 将排水管垫圈安装到排水管。用橡胶锤和 1-1/2" PVC 管使垫圈固定在排水法兰。

注意：排水法兰开口的边缘可能很锋利。

注：确保不干扰排水管垫圈和排水法兰开口。垫圈必须固定在排水法兰槽位的下方，确保排水管正常工作。

- 重新组装排水盖总成。将排水盖上的拨片与排水口本体的槽孔对齐，然后插入排水盖总成。
- 按几次排水盖，确保排水口开合正常。

涂抹密封胶 - 选用

- 如有必要，在浴缸与完工地面之间的缝隙涂上一层薄薄、连续一圈透明或颜色相近的密封硅胶。

安装浴缸龙头

- 按照水龙头厂家说明书，安装水龙头阀门和装饰件。
- 合上浴缸排水口。注水至溢水口高度，检查是否有渗漏。

保养与清洁

为了实现最佳性能，保养科勒产品时请记住以下几点：

- 务必在不显眼的位置先测试所用清洁溶液是否合适，再用在整个表面。
- 涂抹清洁剂后，立即擦干净表面，然后用清水彻底冲洗。周围表面如喷涂过量，应冲洗后晾干。
- 不要使清洁剂浸泡表面。
- 使用蘸湿的软布或海绵。不要使用毛刷或钢丝绒等磨砂材料清洁表面。