

Installation Instructions

Freestanding Heated Airbath with Heated Surface

Record your model number:
Noter le numéro de modèle:
Anoté su número de modelo: _____

Français, page 13
Español, página 24

KOHLER®


Thank You for Choosing KOHLER

Need help? Contact our Customer Care Center.

- USA/Canada: 1-800-4KOHLER (1-800-456-4537) Mexico: 001-800-456-4537
- Service parts: kohler.com/serviceparts
- Care and cleaning: kohler.com/clean
- Patents: kohlercompany.com/patents

Installation Instructions

 **WARNING:** When using electrical products, basic precautions should always be followed, including the following:


 **DANGER:** Risk of electric shock. Connect only to a circuit protected by a Ground-Fault Circuit-Interrupter (GFCI)*.


Install to permit access for servicing.

A pressure wire connector marked "Earth/Ground" is provided within the wiring compartment. To reduce the risk of electric shock, connect this connector to the grounding terminal of your electric service or supply panel with copper wire equivalent in size to the circuit conductor supplying this equipment.

A pressure wire connector is provided on the exterior of the pump or control within this unit to permit connection of a bonding conductor between this unit and all the other exposed metal in the vicinity, as needed to comply with local requirements.

NOTICE: Grounding is required. The unit should be installed and grounded by a qualified service representative.

 **WARNING: Risk of injury or property damage.** Read all instructions thoroughly before beginning installation.

 **WARNING: Risk of electric shock.** A qualified electrician should make all electrical connections.

 **WARNING: Risk of electric shock.** Disconnect the power before installation or servicing.

NOTICE: Follow all plumbing, building, and electrical codes. In Canada, install this unit in accordance with the Canadian Electrical Code, Part 1.

*Outside North America, this may be known as a Residual Current Device (RCD).

Product Information

Electrical Requirements

The installation must have **two** Class A Ground-Fault Circuit-Interrupters (GFCI). The GFCI protects against line-to-ground shock hazard. **Use a 120 V, 15 A, 60 Hz dedicated service for the blower. Use a separate 120 V, 15 A, 60 Hz dedicated service for the bubble heater and heated surface.**

If the blower supply cord is damaged, it must be replaced by the manufacturer, its service agent, or similarly qualified persons in order to avoid a hazard.

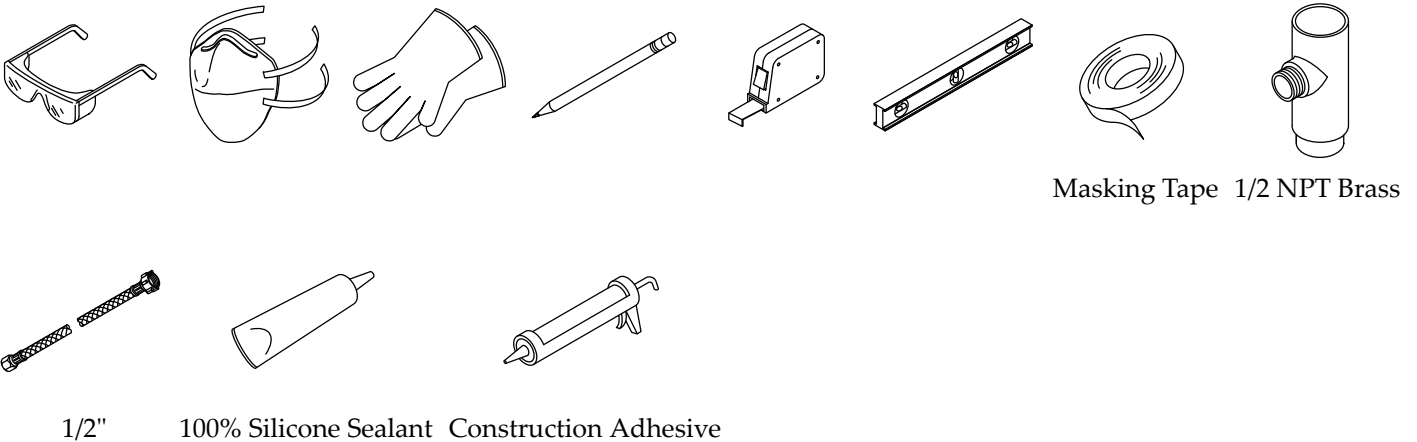
Product Notices

IMPORTANT! The recommended operating pressure for this system is 35-60 psi (241-414 kPA).

NOTICE: Keep the area around the blower clean and free of debris. Verify that the area around the blower is free of sawdust, insulation, dirt, and other small loose debris. Such material can block the blower air ducts and reduce the air flow through the blower.

NOTICE: This product contains an automatic water purge mode that turns the blower on for 5 minutes after the unit is turned off and drained.

Tools and Materials



Plus:

- Drop Cloth
- Shims
- 2x4s
- Wood Blocks
- 1/2" (13 mm) Exterior Grade Plywood (for Rim-mount Faucet)

Before You Begin

NOTICE: This product requires remote blower installation. **Refer to the instructions included with the remote blower kit before proceeding.**

NOTICE: Adequate floor support must be provided. Note the **model number** on the components end of the bath, then visit the product page at kohler.com for additional information.

NOTICE: Do not lift the bath by the piping or blower, or use the piping or blower for structural support of the bath. To avoid damage to the bath, lift at the sides of the bath.

NOTICE: Before installing a rim-mount bath faucet, refer to the Specification Sheet on the bath product page at kohler.com for faucet area dimensions for your model.

NOTICE: Provide adequate backer board support for a rim-mount faucet; large faucets that may be inadvertently used as a means of support are not safe for this installation.

NOTICE: To ensure a successful installation, install the bath on a level, finished floor.

Follow all local plumbing, building, and electrical codes.

To simplify future maintenance, verify that all plumbing and control board connections around the bath are easily accessible.

Two people should perform this installation.

Use conduit to route electrical power wires from the circuit breaker.

Carefully plan moving the bath into the installation area. This bath will not easily fit through doorways.

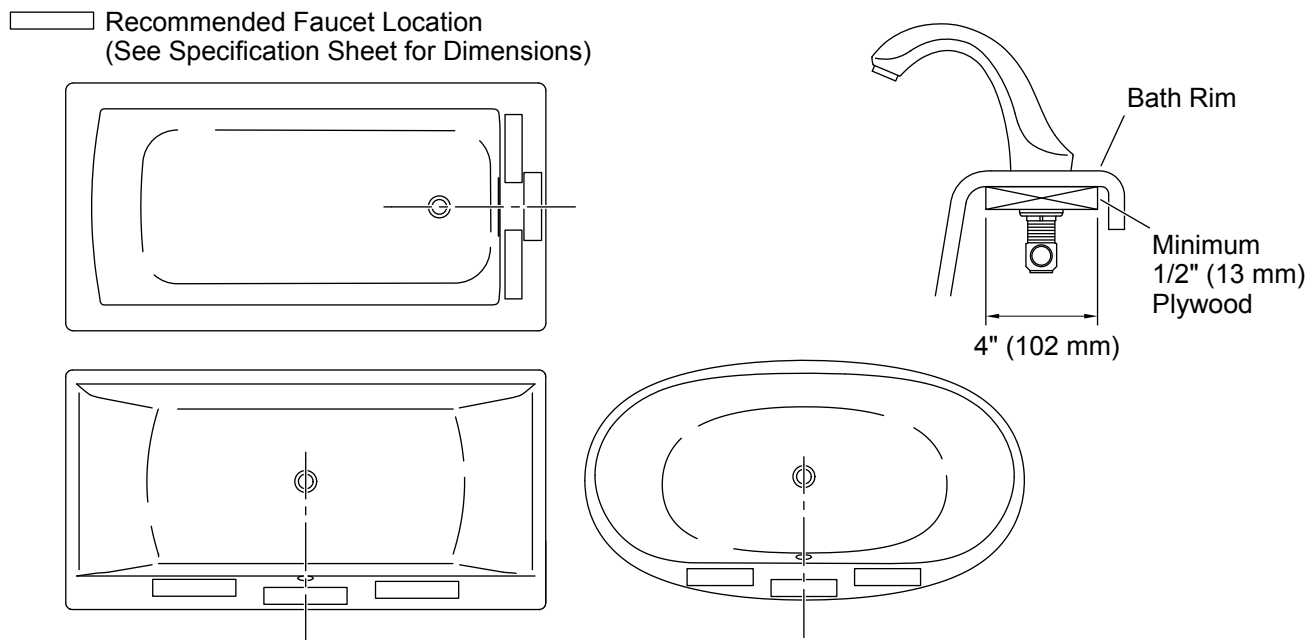
Unpack and inspect the bath and components for damage. Return the bath and components to the carton until installation.

This bath is designed for freestanding installation only.

If installing a rim-mount faucet, verify that there is no interference above or below the rim before drilling any holes.

Illustrations shown may not look like your actual product but they still apply to this installation.

1. Prepare the Rim-Mount Faucet (Optional)



NOTICE: Before installing a rim-mount bath faucet, refer to the Specification Sheet on the bath product page at kohler.com for faucet location dimensions for your model.

NOTICE: To accommodate the bath shroud, use flexible connections to attach the water supplies to a rim-mount faucet.

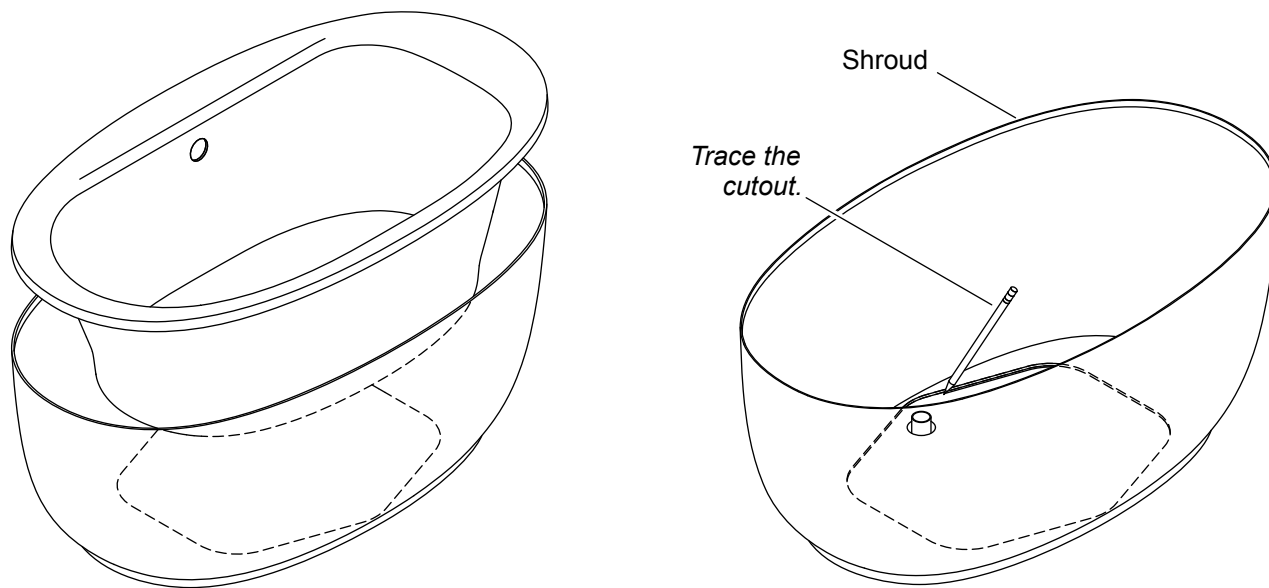
NOTICE: For rim-mount faucet installations, route the water supply lines high enough to permit access for making the final connections from above the shroud.

- Refer to the Specification Sheet on the bath product page at kohler.com to determine the recommended faucet location and drain model for your bath.
- Measure and cut a piece of 1/2" (13 mm) exterior grade plywood to support the faucet. The board should be 4" (102 mm) wide. The length should extend beyond the width of the faucet holes for proper support.
- Locate the faucet in the recommended location on the bath rim. Verify that the faucet trim fits on the bath rim without overhang. Verify that there is no interference above or below the rim before drilling any holes.
- Refer to the Installation Instructions packed with the faucet to determine faucet hole size.
- Use a pencil to mark the faucet hole centerlines. Do not drill the holes at this time.

⚠ CAUTION: Risk of product damage. To avoid scratching the bath, position a thin piece of cardboard under any clamps before tightening.

- Position the plywood on the underside of the rim, then clamp in place. To protect the finished surface, apply masking tape beneath the cardboard anywhere the clamps will make contact with the finished surface of the bath. Verify that the clamps do not directly contact the finished surface of the bath.
- Carefully drill the faucet holes.
- Install the valve according to the Installation Instructions included with the valve. **Do not** install the faucet trim until instructed.

2. Prepare the Site



NOTICE: Measure your product for site preparation. Note the **model number** located on the components end of the bath, then visit the product page at kohler.com for additional information.

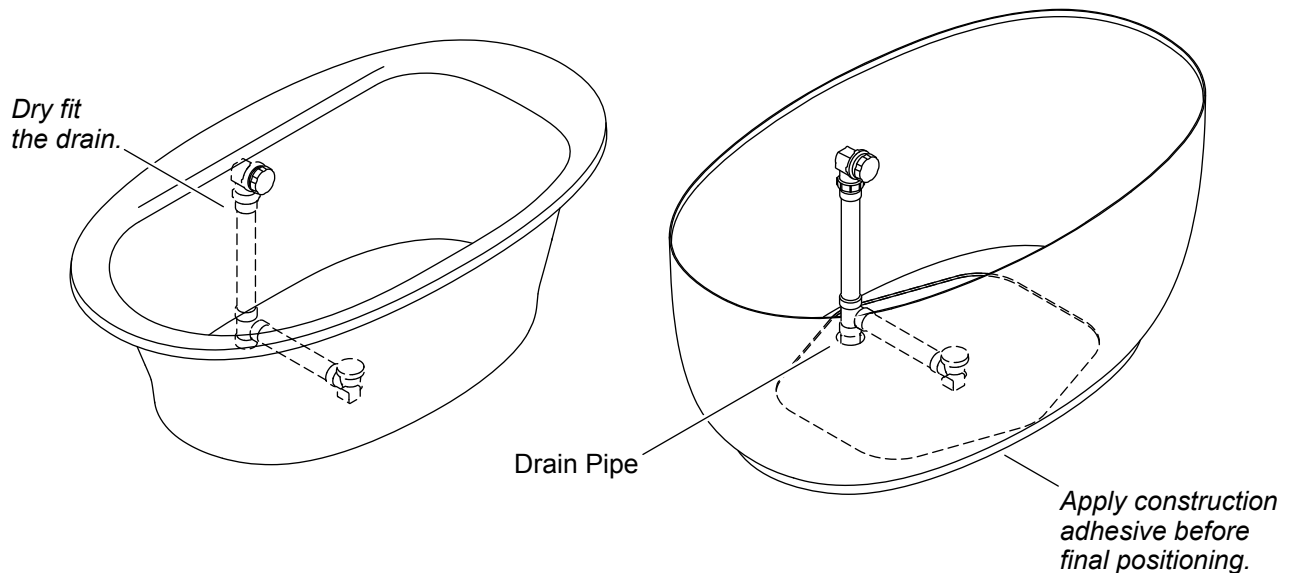
NOTICE: Remote blower installation is required for freestanding bath installation. Refer to the Installation Instructions included with the remote blower kit before installing the remote blower.

IMPORTANT! For a successful installation, install the bath on a level, finished floor.

IMPORTANT! Verify that the subfloor offers adequate support for the bath.

- Follow all local plumbing and building codes.
- Temporarily position the bath and shroud in the installation location.
- Verify that the **bath** is level. Shim under the shroud if necessary, and secure the shims to the floor with construction adhesive.
- Without moving the shroud, lift and remove the bath from the shroud.
- Trace the shroud cutout area onto the floor.
- Remove the shroud and set it aside.
- Refer to the Specification Sheet on the bath product page at kohler.com to determine any drain clearance requirements, and cut adequate floor clearance as needed.
- Refer to the Specification Sheet on the bath product page at kohler.com for drain height details. Position and install a standard PVC or brass bath drain pipe to the correct height.

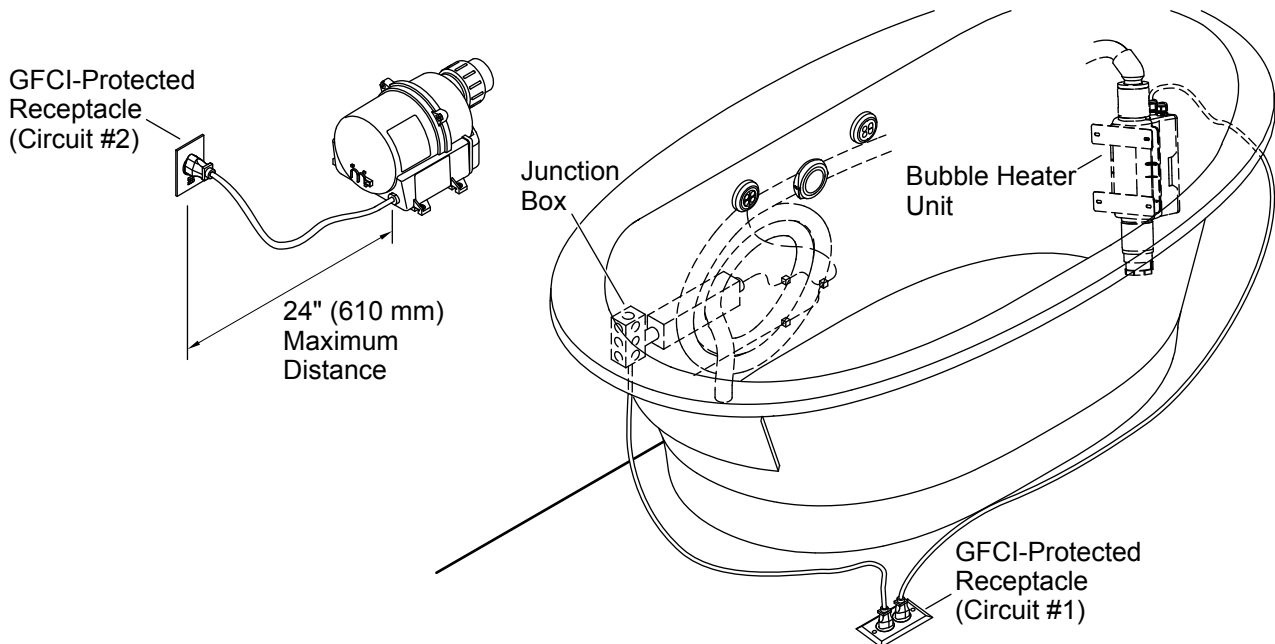
3. Prepare the Bath



NOTICE: Refer to the drain instructions to dry fit the drain to the bath. **Do not cement and complete the drain installation until instructed.**

- Dry fit the drain assembly to the bath. Refer to the drain instructions. **Do not apply sealant or cement** to the drain components at this time.
- Loosen the drain and overflow connections from the bath, and remove the drain assembly from the bath.
- Dry fit the drain assembly to the drain pipe, which has already been cut to the correct height.
- Temporarily position the shroud in place over the drain assembly.
- With help, temporarily lift the bath into place in the shroud. Verify that the bath rim is completely seated over the shroud to engage the alignment guides.
- Verify that the drain and overflow connections line up properly with the drain and overflow holes on the bath. Measure and record any adjustments needed to the drain or overflow tube lengths.
- Remove the bath and shroud, leaving the drain and overflow assembly attached to the drain pipe.
- Adjust the length of the drain tubes as needed so that drain alignment with the drain and overflow holes in the bath.
- Repeat these drain fit steps until the drain and overflow connections line up with the drain and overflow holes in the bath.
- Cement and assemble the drain and overflow components. Connect the drain tee to the drain pipe.
- Apply 100% silicone sealant to both sides of the drain and overflow gaskets.
- Apply slow-drying construction adhesive to the bottom of the shroud.
- Carefully position the shroud over the drain, aligning the hole with the traced mark on the floor.
- Optional:** For extra stability, secure the shroud to the floor using four screws (not provided).

4. Install the Remote Blower



NOTICE: This product requires remote blower installation.

- Refer to the instructions included with the remote blower kit.

5. Make the Electrical Connections

⚠ DANGER: Risk of electric shock. Connect the junction box, blower motor, and bubble heater to properly grounded, grounding-type receptacles protected by a Ground-Fault Circuit-Interrupter (GFCI)*. Do not remove the grounding pins from the plugs. Do not use grounding adapters.

⚠ WARNING: Risk of electric shock. Verify that the power has been disconnected before performing the following procedures.

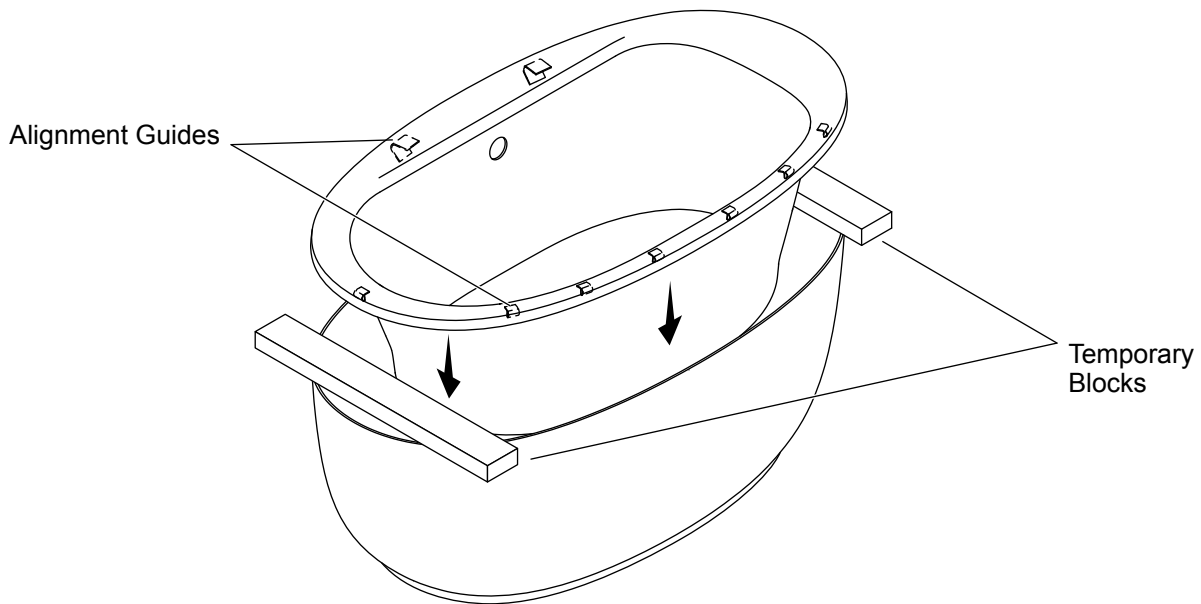
NOTICE: The blower, heated surface, and bubble heater are equipped with cords and plugs. A qualified electrician must install **two** GFCI*-protected, 120 V, 15 A, grounded electrical outlets. The bubble heater and heated surface can be on the same dedicated circuit (circuit #1), but no other load should be on this circuit. The remote blower must be on its own dedicated circuit (circuit #2). No other load should be on this circuit.

- Install two GFCI*-protected electrical outlets within reach of the 24" (610 mm) power cords. One electrical outlet will be within 24" (610 mm) of the blower. The other electrical outlet will need to be within 24" (610 mm) of the bubble heater and heated surface junction box cord under the floor or inside of the shroud.
- Verify that the blower cord is plugged into one of the GFCI*-protected electrical outlets (circuit #2).
- Plug the bubble heater cord into the separate GFCI*-protected electrical outlet located under the floor or inside the shroud** (circuit #1).
- Plug the heated surface cord into the same GFCI*-protected electrical outlet located under the floor or inside the shroud** (circuit #1).

*Outside North America, this may be known as a Residual Current Device (RCD).

**It is recommended to remote the GFCI to an accessible location not under the shroud.

6. Install the Bath

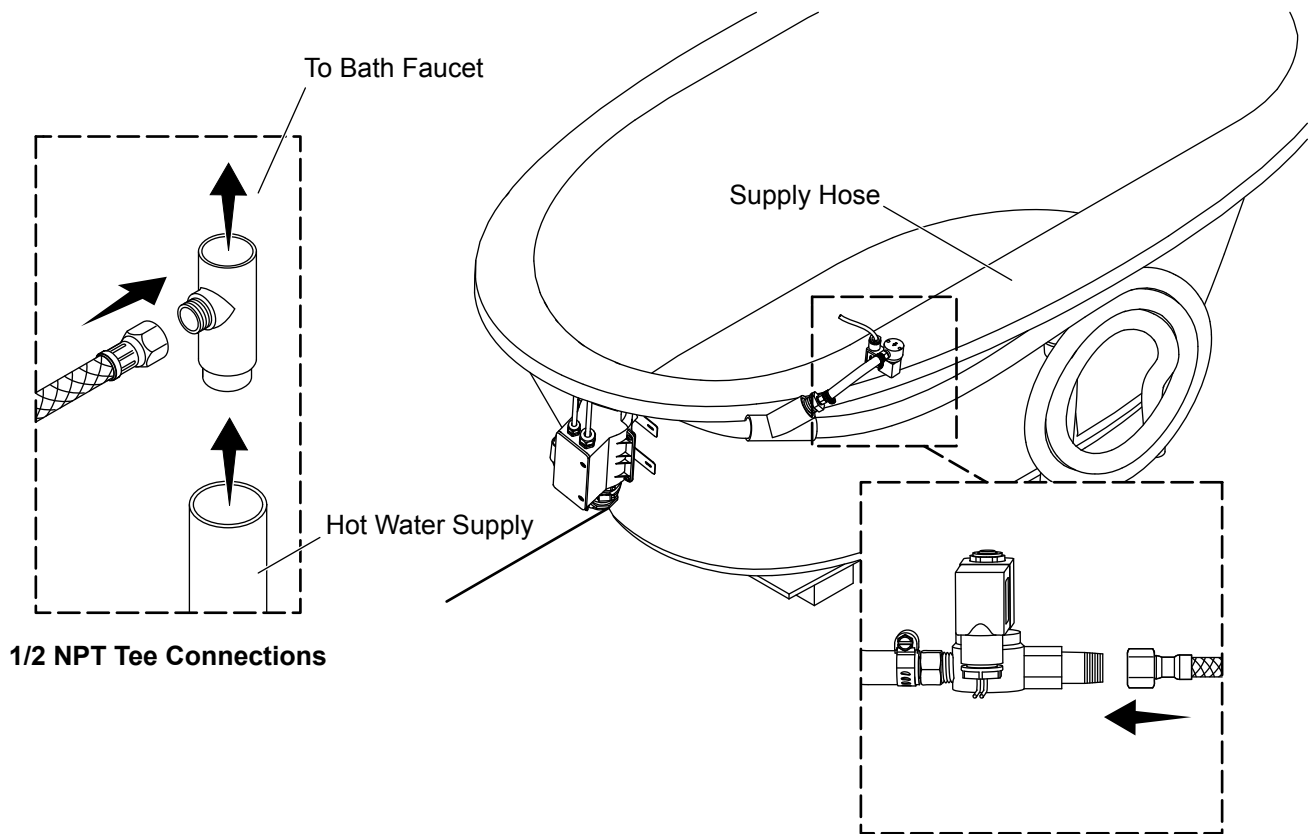


NOTICE: Do not lift the bath by the piping or blower, or use the piping or blower for structural support of the bath. To avoid damage to the bath, lift at the sides of the bath.

NOTE: To provide access for securing the connections, temporarily position block spacers on opposing ends between the shroud and the bath rim. Position the blocks to avoid damaging the alignment guides located under the bath rim. The type of alignment guides may vary by product.

- With help, carefully lift the bath into place over the shroud and onto the temporary blocks.
- For a rim-mount faucet, install the faucet and trim according to the faucet and trim instructions. Verify that there is adequate support under the bath rim to support the faucet. Refer to the "Prepare the Rim-Mount Faucet (Optional)" section.

7. Connect the Bubble Heater



NOTE: The water supply setup may differ depending on the type of bath faucet that is installed.

- Install the tee (not supplied) to the hot water valve on the bath faucet.
- Thread the supply hose (not supplied) onto the 1/2 NPT port of the tee.
- Thread the opposite side of the supply hose into the 1/2 NPT brass nipple. **Do not kink the hoses.**
- Verify that the bubble heater cord is plugged into the electrical outlet below the floor or in the shroud.

8. Complete the Installation

- Carefully remove the temporary blocks and verify that the bath rim engages the top of the shroud on all sides.
- Verify that all alignment guides are inside the shroud. There should be no gap between the bath and the shroud.
- Install the drain flange and overflow cover according to the drain instructions.
- Close the bath drain. Fill the bath to the overflow, and check for leaks.
- If desired, apply a thin, continuous bead of clear or color-matched 100% silicone sealant to the seam between the shroud and the finished floor.

Test Run the Bath

- Check all electrical connections and verify that the electrical power to the bath is on.

- Operate the heated surface user keypad to test the temperature settings.
- Fill the bath to a level at least 4" (102 mm) above the top of the highest airjet.
- Operate the bath for 5 minutes and test the airjets.
- For additional information on bath and heated surface operation, see the Homeowners Guide for this product.

Instructions d'installation


Baignoire à jets d'air chauffée autoportante avec surface chauffée


Merci d'avoir choisi KOHLER

Besoin d'aide? Appeler notre centre de services à la clientèle.

- USA/Canada : 1-800-4KOHLER (1-800-456-4537) Mexique : 001-800-456-4537
- **Pièces d'entretien** : kohler.com/serviceparts
- **Entretien et nettoyage** : kohler.com/clean
- **Brevets** : kohlercompany.com/patents

Instructions d'installation

 **AVERTISSEMENT** : Lors de l'utilisation de produits électriques, toujours observer les précautions de base, dont les suivantes :


 **DANGER** : **Risque de choc électrique.** Uniquement connecter à un circuit protégé par un disjoncteur de fuite de terre (GFCI)*.


Installer de façon à permettre un accès pour l'entretien.

Un connecteur à pression pour câbles marqué « Earth/Ground » (Terre/Masse) est fourni dans le compartiment de câblage. Afin de réduire le risque de choc électrique, raccorder ce connecteur à une borne de terre du panneau de service électrique ou du panneau d'alimentation avec un câble en cuivre ayant la même dimension que le conducteur du circuit qui alimente cet équipement.

Un connecteur à pression pour câbles est fourni à l'extérieur de la pompe ou de la commande de cet appareil afin de permettre la connexion d'un conducteur de mise à la terre entre cet appareil et toutes les autres surfaces de métal avoisinantes, tel que requis par les réglementations locales.

AVIS : **Une mise à la terre est requise.** Le dispositif doit être installé et mis à la terre par un représentant technique qualifié.

 **AVERTISSEMENT** : **Risque de blessures ou de dommages matériels.** Lire toutes les instructions avec attention avant de commencer l'installation.

 **AVERTISSEMENT** : **Risque de choc électrique.** Un électricien qualifié doit effectuer toutes les connexions électriques.

 **AVERTISSEMENT** : **Risque de choc électrique.** Déconnecter l'alimentation électrique avant une installation ou un entretien.

AVIS : **Respecter tous les codes d'électricité, de plomberie et du bâtiment.** Au Canada, installer ce dispositif conformément au Code canadien de l'électricité, Partie 1.

*Hors de l'Amérique du Nord, ce dispositif peut être connu sous le nom de dispositif à courant résiduel (RCD).

Renseignements sur le produit

Installations électriques requises

Cette installation doit être munie de **deux** disjoncteurs de fuite de terre (GFCI) de classe A. Le disjoncteur de fuite de terre (GFCI) protège contre les risques d'électrocution de tension phase-terre. **Utiliser une alimentation de 120 V, 15 A, 60 Hz dédiée pour le souffleur. Utiliser une alimentation de 120 V, 15 A, 60 Hz dédiée et séparée pour le chauffe-bulles et la surface chauffée.**

Si le cordon d'alimentation du souffleur est endommagé, il doit être remplacé par le fabricant, son représentant ou des professionnels qualifiés dans ce domaine afin d'éviter tout danger.

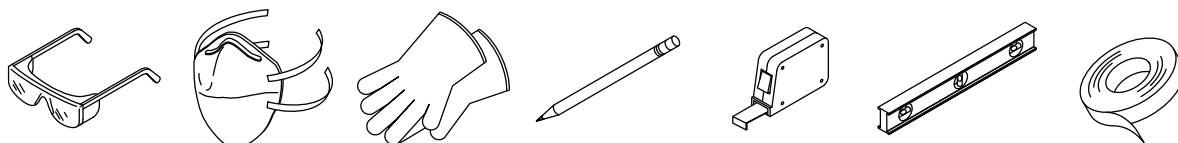
Notices du produit

IMPORTANT! La pression de fonctionnement recommandée pour ce système est de 35 à 60 psi (241 à 414 kPa).

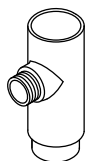
AVIS : Garder l'espace autour du souffleur propre et exempt de débris. Vérifier que l'espace autour du souffleur est exempt de sciure, de matériau isolant, de saleté et d'autres petits débris volatiles. De tels matériaux peuvent boucher les conduits d'air du souffleur et réduire le débit d'air à travers le souffleur.

AVIS : Ce produit comprend un mode de purge d'eau automatique qui met le souffleur en marche pendant 5 minutes après l'arrêt et la vidange du dispositif.

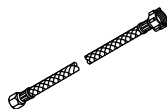
Outils et matériel



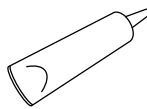
Ruban-cache



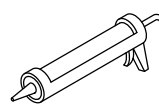
NPT 1/4 po Laiton



1/2 po



Mastic d'étanchéité à la silicone à 100 %



Adhésif de construction

Plus :

- Toile de protection
- Cales
- Planches 2x4
- Blocs en bois
- Contreplaqué extérieur de 1/2 po (13 mm) (pour robinet monté sur rebord)

Avant de commencer

AVIS : Ce produit exige l'installation d'un souffleur à distance. **Consulter les instructions accompagnant la Trousse du souffleur à distance avant de continuer.**

AVIS : Un support de plancher adéquat doit être fourni. Noter le **numéro de modèle** se trouvant sur le côté composants de la baignoire, puis visiter la page du produit sur le site kohler.com pour obtenir de l'information supplémentaire.

AVIS : Ne pas soulever la baignoire par la tuyauterie ou le souffleur, et ne pas utiliser ceux-ci comme support structurel de la baignoire. Afin d'éviter d'endommager la baignoire, soulever sur les côtés de celle-ci.

AVIS : Avant d'installer un robinet de baignoire à montage sur rebord, se reporter à la fiche de spécifications de la page du produit de la baignoire sur le site kohler.com pour les dimensions de la surface du robinet pour le modèle en question.

AVIS : Fournir un support avec planche d'appui adéquat pour un robinet à montage sur rebord; les robinets de grande taille qui pourraient être utilisés par inadvertance comme moyen de support ne sont pas sécuritaires pour cette installation.

AVIS : Pour assurer une installation réussie, installer la baignoire sur un plancher fini à niveau.

Respecter tous les codes locaux en ce qui concerne l'électricité, la plomberie et le bâtiment.

Pour simplifier la maintenance future, vérifier qu'il est possible d'accéder sans difficulté à toutes les connexions de plomberie et du tableau de commande autour de la baignoire.

Deux personnes doivent effectuer cette installation.

Utiliser un conduit pour acheminer les fils électriques en provenance du disjoncteur.

Planifier avec précaution le déplacement de la baignoire dans l'emplacement d'installation. Cette baignoire ne passe pas facilement par les entrées de portes.

Déballer et inspecter la baignoire et les composants pour détecter tout dommage. Remettre la baignoire et les composants dans l'emballage jusqu'à l'installation.

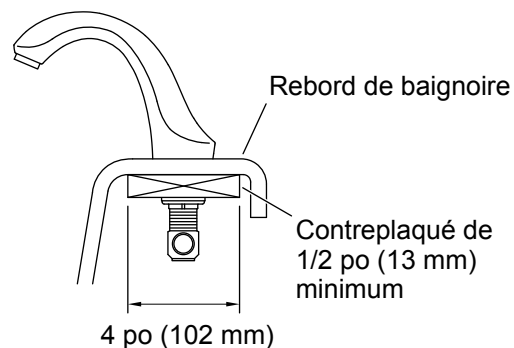
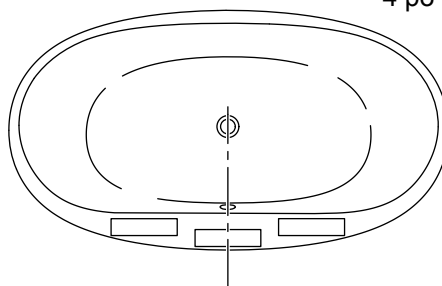
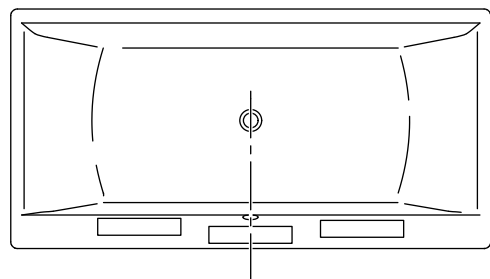
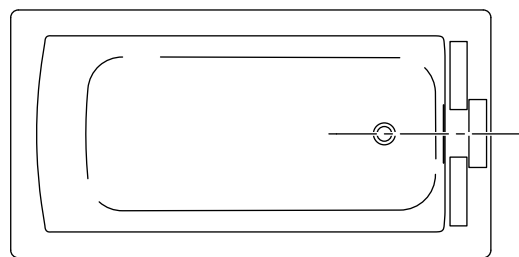
Cette baignoire est conçue pour une installation autoportante uniquement.

Lorsqu'on installe un robinet sur rebord, vérifier qu'il n'y ait pas d'interférence au-dessus ou au-dessous du rebord avant de percer des trous.

Les illustrations pourraient ne pas ressembler au produit réel, mais elles s'appliquent néanmoins pour cette installation.

1. Préparer le robinet monté sur rebord (optionnel)

Emplacement de robinet recommandé
(voir la fiche de spécifications pour les dimensions)



AVIS : Avant d'installer un robinet de baignoire à montage sur rebord, se reporter à la fiche de spécifications de la page du produit de la baignoire sur le site kohler.com pour les dimensions de l'emplacement du robinet pour le modèle en question.

AVIS : Pour adapter l'enveloppe de la baignoire, utiliser des raccords flexibles pour attacher les alimentations en eau sur un robinet monté sur rebord.

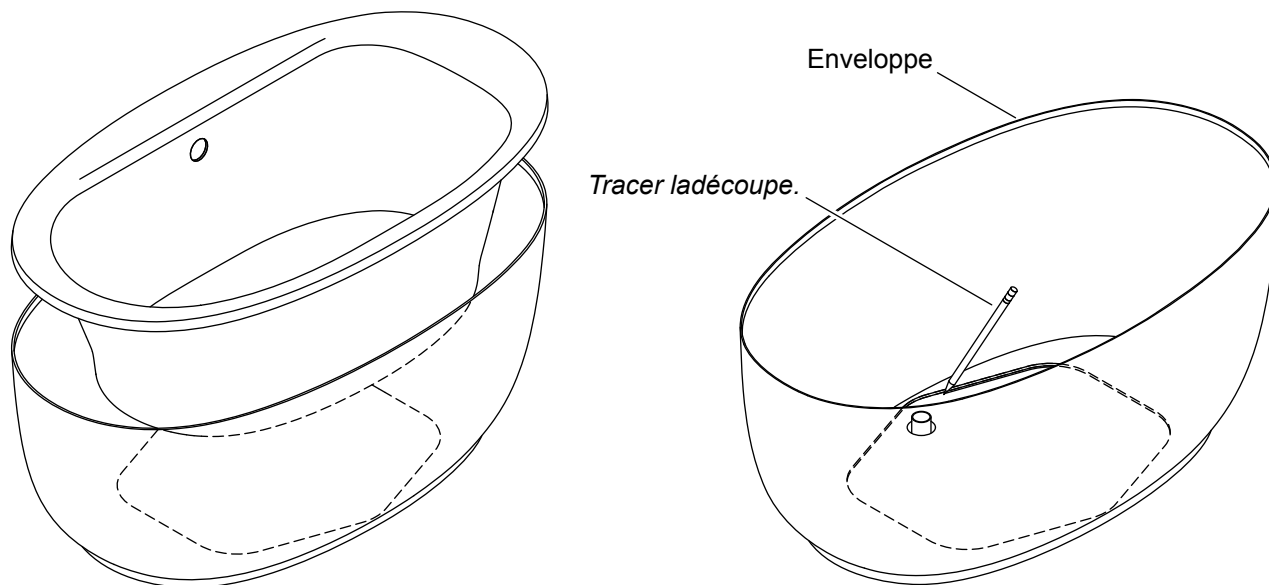
AVIS : Pour les installations de robinets à montage sur rebord, acheminer les conduites d'alimentation en eau assez haut pour permettre un accès en vue d'effectuer les connexions finales à partir du dessus de l'enveloppe.

- Se reporter à la fiche de spécifications sur la page du produit de la baignoire sur le site kohler.com afin de déterminer l'emplacement du robinet et le modèle de drain recommandés pour la baignoire en question.
- Mesurer et couper un morceau de contreplaqué extérieur de 1/2 po (13 mm) pour soutenir le robinet. La largeur de la planche doit être égale à 4 po (102 mm). La longueur doit se prolonger au-delà de la largeur des trous du robinet pour un support adéquat.
- Positionner le robinet dans l'emplacement recommandé sur le rebord de la baignoire. Vérifier que la garniture du robinet s'adapte sur le rebord de la baignoire sans surplomber. Vérifier qu'il n'y a pas d'interférence au-dessus ou au-dessous du rebord avant de percer des trous.
- Se reporter aux instructions d'installation accompagnant le robinet pour déterminer la taille des trous du robinet.
- Utiliser un crayon pour marquer les lignes centrales des trous du robinet. Ne pas percer de trous pour l'instant.

⚠ ATTENTION : Risque d'endommagement du produit. Pour éviter de rayer la baignoire, placer un fin morceau de carton sous les brides avant de serrer.

- Positionner le contreplaqué sur le dessous du rebord, puis le serrer en place avec des brides. Pour protéger la surface finie, appliquer du ruban-cache sous le carton, partout où les brides entreraient en contact avec la surface finie de la baignoire. Vérifier que les brides ne rentrent pas en contact direct avec la surface finie de la baignoire.
- Percer les trous pour le robinet avec précaution.
- Installer la vanne en suivant les instructions d'installation accompagnant celle-ci. **Ne pas** installer la garniture du robinet avant instructions spécifiques.

2. Préparer le site



AVIS : Mesurer le produit pour la préparation du site. Noter le **numéro de modèle** se trouvant sur le côté composants de la baignoire, puis visiter la page du produit sur le site kohler.com pour obtenir de l'information supplémentaire.

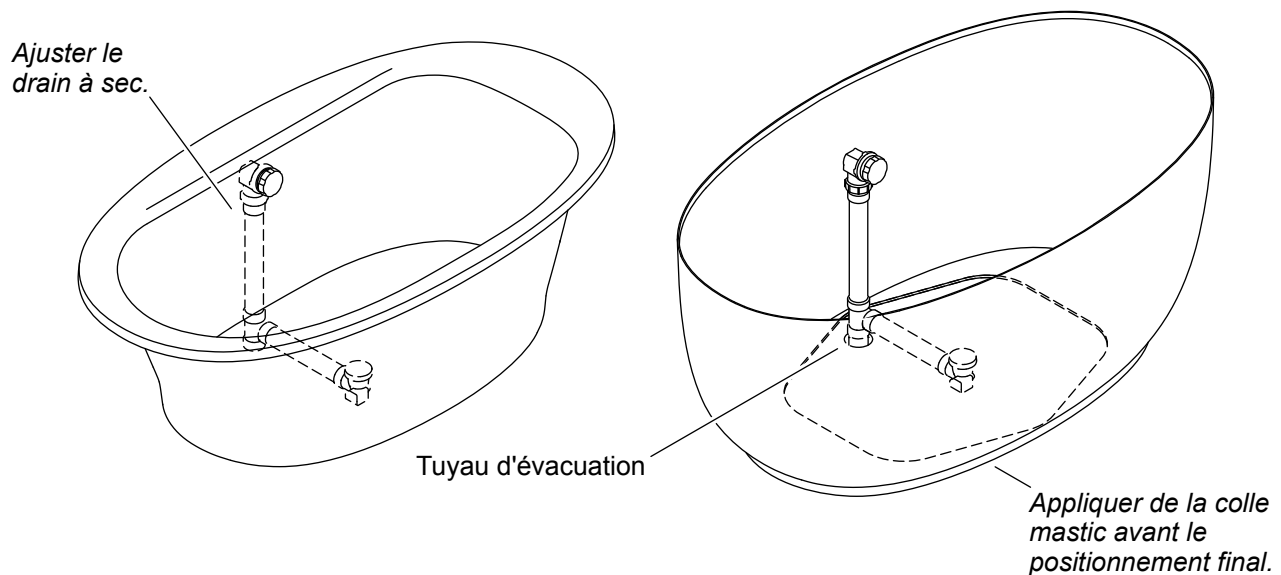
AVIS : Une installation de souffleur à distance est requise pour une installation de baignoire autoportante. Consulter les instructions d'installation accompagnant la trousse du souffleur à distance avant d'installer le souffleur à distance.

IMPORTANT! Pour une installation réussie, installer la baignoire sur un plancher fini à niveau.

IMPORTANT! Vérifier que le sous-plancher offre un support adéquat pour la baignoire.

- Respecter tous les codes de plomberie et de bâtiment locaux.
- Positionner temporairement la baignoire et l'enveloppe dans l'emplacement d'installation.
- Vérifier que la **baignoire** est à niveau. Poser des cales sous l'enveloppe si nécessaire, et fixer les cales au plancher avec de l'adhésif de construction.
- Sans déplacer l'enveloppe, lever et retirer la baignoire de l'enveloppe.
- Tracer la zone de découpe de l'enveloppe sur le plancher.
- Retirer l'enveloppe et la mettre de côté.
- Se reporter à la fiche de spécifications sur la page du produit de la baignoire sur le site kohler.com pour déterminer toutes les exigences de dégagement du drain, et découper le dégagement au plancher adéquat au besoin.
- Se reporter à la fiche de spécifications sur la page du produit de la baignoire sur le site kohler.com pour obtenir de l'information détaillée sur la hauteur du drain. Positionner et installer un tuyau d'évacuation de baignoire standard en PVC ou en laiton à la hauteur correcte.

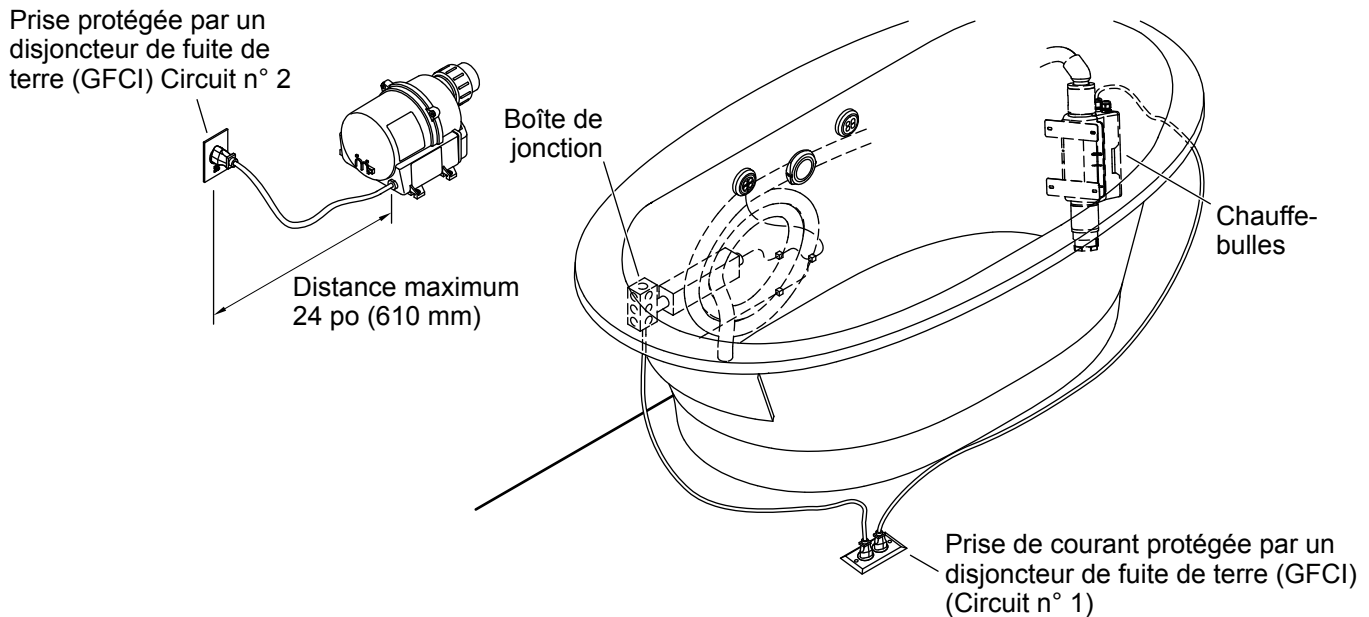
3. Préparer la baignoire



AVIS : Se reporter aux instructions accompagnant le drain pour ajuster celui-ci à sec sur la baignoire. **Ne pas cimenter et ne pas terminer l'installation du drain avant d'en avoir reçu l'instruction.**

- Ajuster l'ensemble du drain à sec sur la baignoire. Se reporter aux instructions accompagnant le drain. **Ne pas appliquer de mastic d'étanchéité ou de ciment** sur les composants du drain à ce point.
- Desserrer les raccords du drain et du trop-plein de la baignoire et retirer l'ensemble du drain de la baignoire.
- Assembler l'ensemble du drain à sec sur le tuyau d'évacuation qui a déjà été coupé à la hauteur adéquate.
- Positionner temporairement l'enveloppe en place par-dessus l'ensemble du drain.
- Avec de l'aide, lever la baignoire temporairement pour la positionner dans l'enveloppe. Vérifier que le rebord de la baignoire est entièrement assis par-dessus l'enveloppe pour engager les guides d'alignement.
- Vérifier que les raccords du drain et du trop-plein sont alignés correctement sur les trous du drain et du trop-plein sur la baignoire. Mesurer et noter tous les ajustements nécessaires pour les longueurs des tubes d'évacuation et de trop-plein.
- Retirer la baignoire et l'enveloppe en laissant l'ensemble drain et trop-plein attachés sur le tuyau d'évacuation.
- Ajuster la longueur des tubes d'évacuation au besoin de manière à ce qu'ils soient alignés avec les trous du drain et du trop-plein dans la baignoire.
- Répéter ces étapes d'adaptation du drain jusqu'à ce que les raccords du drain et du trop-plein soient alignés avec les trous du drain et du trop-plein dans la baignoire.
- Cimenter et assembler les composants du drain et du trop-plein. Raccorder le té du drain au tuyau d'évacuation.
- Appliquer du mastic d'étanchéité à la silicone à 100 % sur les deux côtés des joints statiques du drain et du trop-plein.
- Appliquer de la colle mastic à séchage lent sur le fond de l'enveloppe.
- Positionner avec précaution l'enveloppe par-dessus le drain, en alignant le trou avec le repère tracé sur le plancher.
- Optionnel :** Pour une stabilité supplémentaire, fixer l'enveloppe sur le plancher en utilisant quatre vis (non fournies).

4. Installer le souffleur à distance



AVIS : Ce produit exige l'installation d'un souffleur à distance.

- Consulter les instructions accompagnant la trousse du souffleur à distance.

5. Effectuer les connexions électriques

⚠ DANGER : Risque de choc électrique. Raccorder la boîte de jonction, le moteur du souffleur et le chauffe-bulles à des prises avec mise à la terre, mises à la terre de manière adéquate et protégées par un disjoncteur de fuite de terre (GFCI)*. Ne pas retirer les broches de mise à la terre des fiches. Ne pas utiliser des adaptateurs de mise à la terre.

⚠ AVERTISSEMENT : Risque de choc électrique. Vérifier que l'alimentation électrique a été débranchée avant d'exécuter les procédures suivantes.

AVIS : Le souffleur, la surface chauffée, et le chauffe-bulles sont munis de cordons et de fiches. Un électricien qualifié doit installer **deux** prises de courant de 120 V, 15 A mises à la terre et protégées par un disjoncteur de fuite de terre (GFCI)*. Le chauffe-bulles et la surface chauffée peuvent se trouver sur le même circuit dédié (circuit n° 1), mais aucune autre charge ne doit se trouver sur ce circuit. Le souffleur à distance doit se trouver sur son propre circuit dédié (circuit n° 2). Aucune autre charge ne doit être branchée sur ce circuit.

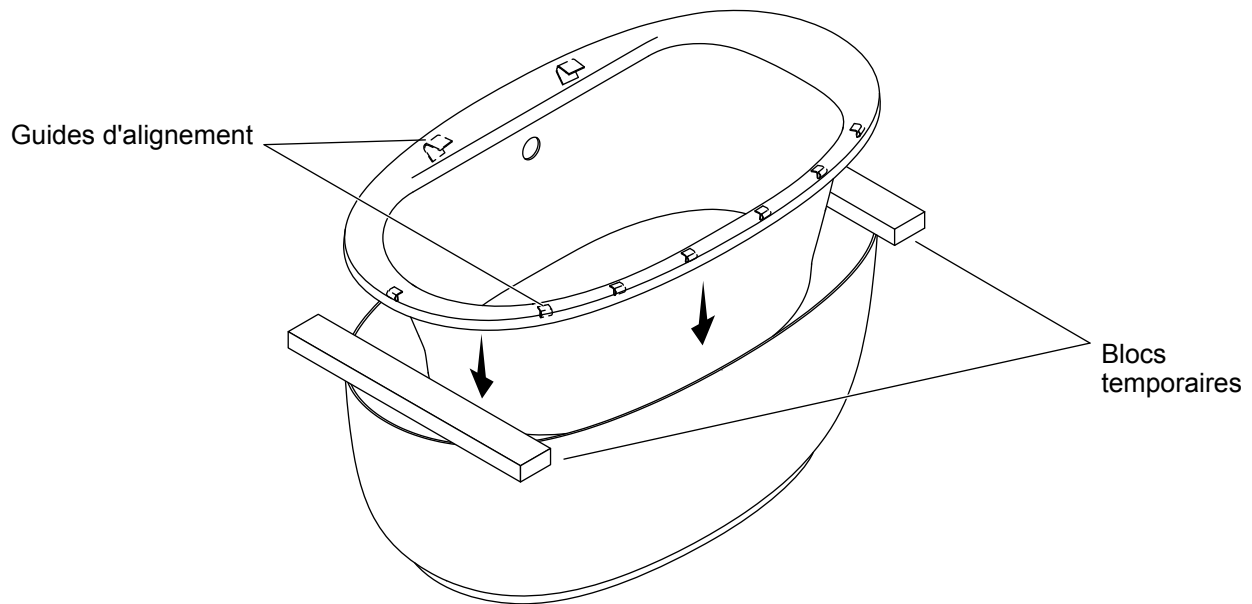
- Installer deux prises de courant protégées par un disjoncteur de fuite de terre (GFCI)* à proximité des cordons d'alimentation de 24 po (610 mm). Une prise de courant doit être comprise dans un rayon de 24 po (610 mm) du souffleur. L'autre prise de courant devra se trouver dans un rayon de 24 po (610 mm) du cordon de la boîte de jonction de la surface chauffée et du chauffe-bulles sous le plancher ou à l'intérieur de l'enveloppe.
- Vérifier que le cordon du souffleur est branché dans l'une des prises de courant protégées par un disjoncteur de fuite de terre (GFCI)* (circuit n° 2).

- Brancher le cordon du chauffe-bulles dans une prise de courant séparée protégée par un disjoncteur de fuite de terre (GFCI)* situé sous le plancher ou à l'intérieur de l'enveloppe** (circuit n° 1).
- Brancher le cordon de la surface chauffée dans la même prise de courant protégée par un disjoncteur de fuite de terre (GFCI)* situé sous le plancher ou à l'intérieur de l'enveloppe** (circuit n° 1).

*Hors de l'Amérique du Nord, ce dispositif peut être connu sous le nom de dispositif à courant résiduel (RCD).

**Il est recommandé de placer le disjoncteur de fuite de terre (GFCI) à distance dans un endroit accessible, et non pas sous l'enveloppe.

6. Installer la baignoire

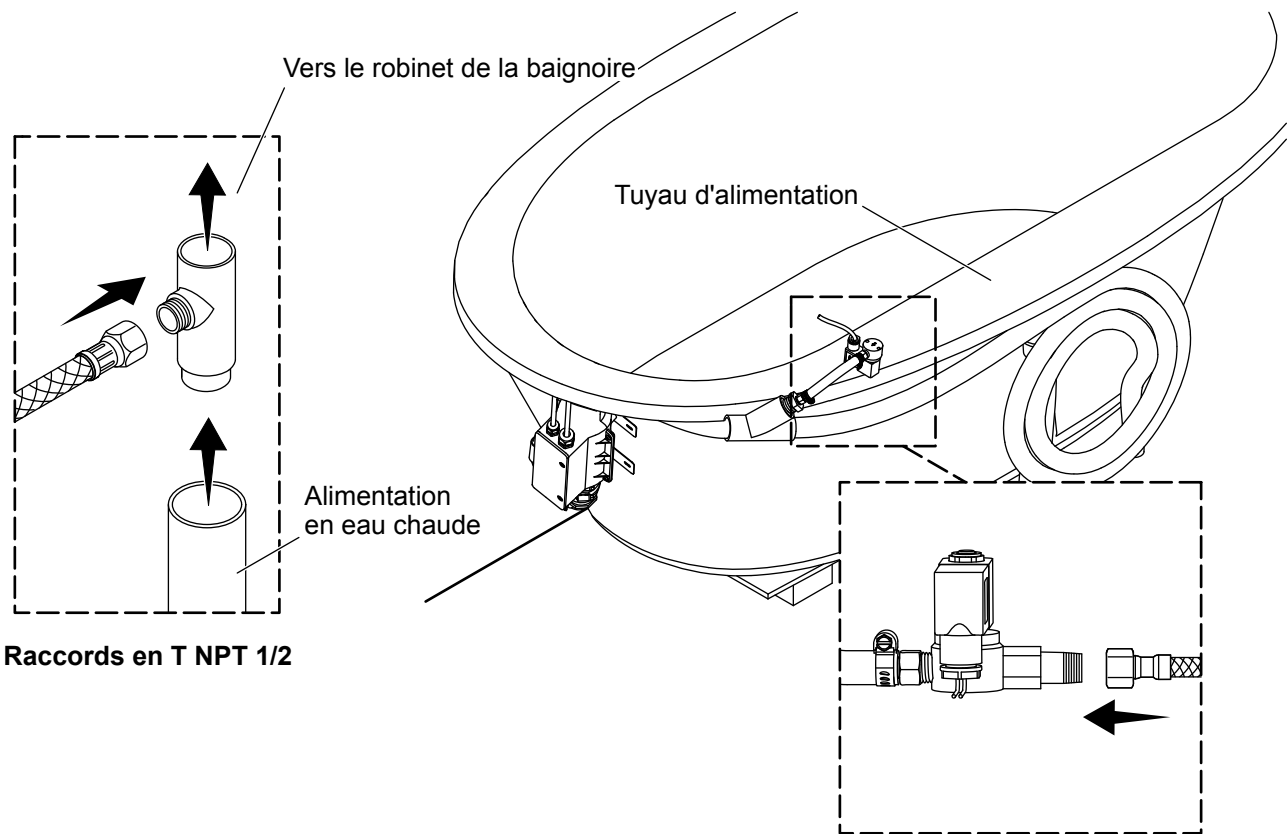


AVIS : Ne pas soulever la baignoire par la tuyauterie ou le souffleur, et ne pas utiliser ceux-ci comme support structurel de la baignoire. Afin d'éviter d'endommager la baignoire, soulever sur les côtés de celle-ci.

REMARQUE : Pour fournir un accès pour la fixation des raccords, positionner temporairement des blocs d'espacement sur les côtés opposés, entre l'enveloppe et le rebord de la baignoire. Positionner les blocs de manière à éviter d'endommager les guides d'alignement se trouvant sous le rebord de la baignoire. Le type de guides d'alignement peut varier selon le produit.

- Avec de l'aide, lever la baignoire avec précaution pour la positionner par-dessus l'enveloppe et sur les blocs temporaires.
- Pour un robinet à montage sur rebord, installer le robinet et la garniture conformément aux instructions qui les accompagnent. Vérifier que le support sous le rebord de la baignoire est adéquat pour soutenir le robinet. Se reporter à la section « Préparer le robinet monté sur le rebord (optionnel) ».

7. Connecter le chauffe-bulles



REMARQUE : L'installation de l'alimentation en eau pourrait être différente selon le type de robinet de baignoire installé.

- Installer le té (non fourni) sur la vanne d'eau chaude sur le robinet de la baignoire.
- Enfiler le tuyau d'alimentation (non fourni) dans le port NPT 1/2 po du té.
- Enfiler le côté opposé du tuyau d'alimentation dans le mamelon en laiton du NPT 1/2. **Ne pas entortiller les tuyaux.**
- Vérifier que le cordon du chauffe-bulles est branché dans la prise de courant sous le plancher ou dans l'enveloppe.

8. Terminer l'installation

- Retirer les blocs temporaires avec précaution et vérifier que le rebord de la baignoire engage le dessus de l'enveloppe sur tous les côtés.
- Vérifier que tous les guides d'alignement se trouvent à l'intérieur de l'enveloppe. Il ne devrait pas y avoir d'écart entre la baignoire et l'enveloppe.
- Installer la collerette d'écoulement et le couvercle du trop-plein selon les instructions accompagnant le drain.
- Fermer le drain de la baignoire. Remplir la baignoire jusqu'au trop-plein et rechercher des fuites éventuelles.
- Si souhaité, appliquer un boudin fin et continu de mastic à la silicone à 100 % transparent ou de couleur assortie sur le joint entre l'enveloppe et le plancher fini.

Effectuer un essai de fonctionnement de la baignoire

- Inspecter toutes les connexions électriques et vérifier que l'alimentation électrique pour la baignoire est activée.
- Faire fonctionner le clavier utilisateur de la surface chauffée pour tester les réglages de la température.
- Remplir la baignoire à un niveau d'eau se trouvant à au moins 4 po (102 mm) au-dessus du haut du jet d'air le plus élevé.
- Faire fonctionner la baignoire pendant 5 minutes et tester les jets d'air.
- Pour obtenir de l'information supplémentaire sur le fonctionnement de la baignoire et de la surface chauffée, consulter le Guide du propriétaire pour ce produit.

Instrucciones de instalación


Bañera autosoportada de aeromasaaje caliente con superficie de calefacción

Gracias por elegir productos KOHLER

¿Necesita ayuda? Comuníquese con nuestro Centro de Atención al Cliente.

- EE. UU./Canadá: 1-800-4KOHLER (1-800-456-4537) México: 001-800-456-4537
- Piezas de repuesto: kohler.com/serviceparts
- Cuidado y limpieza: kohler.com/clean
- Patentes: kohlercompany.com/patents

Instrucciones de instalación

 **AVISO:** Al usar aparatos eléctricos siempre cumpla las precauciones básicas, como las siguientes:


 **PELIGRO: Riesgo de sacudidas eléctricas.** Solo conecte a un circuito protegido por un interruptor de circuito con pérdida a tierra (GFCI)*.


Instale de manera que quede acceso para dar servicio.

El compartimiento de cables incluye un conector a presión marcado "Earth/Ground" (tierra). Para reducir el riesgo de que se produzca una sacudida eléctrica, conecte este conector al terminal de tierra de su tablero eléctrico o al panel de suministro eléctrico con un cable de cobre del tamaño equivalente al conductor del circuito que alimenta este equipo.

En el exterior de la bomba o del control de esta unidad se incluye un conector a presión para permitir la conexión de un conductor equipotencial entre esta unidad y el metal expuesto en las proximidades, tal y como lo requieran las normas locales.

AVISO: Se requiere conexión a tierra. Un representante de servicio autorizado debe instalar esta unidad y conectarla a tierra.

 **AVISO: Riesgo de lesiones personales o de daños a la propiedad.** Antes de comenzar la instalación, lea atentamente todas las instrucciones.

 **AVISO: Riesgo de sacudidas eléctricas.** Todas las conexiones eléctricas debe hacerlas un electricista capacitado.

 **AVISO: Riesgo de sacudidas eléctricas.** Desconecte el suministro eléctrico antes de instalar o dar servicio.

AVISO: Cumpla todos los códigos de plomería, construcción y eléctricos. En Canadá, instale la unidad conforme al Código Eléctrico Canadiense, Parte 1.

*Fuera de Estados Unidos y Canadá es posible que este se conozca como dispositivo de corriente residual (RCD).

Información sobre el producto

Requisitos eléctricos

La instalación debe contar con 2 interruptores de circuito con pérdida a tierra (GFCI) Clase A. El interruptor GFCI protege contra el peligro de sacudida eléctrica de línea a tierra. **Utilice un servicio dedicado de 120 V, 15 A y 60 Hz para el motor soplador. Utilice un servicio dedicado de 120 V, 15 A y 60 Hz independiente para el calentador de burbujas y la superficie de calefacción.**

Si el cable de suministro eléctrico del motor soplador está dañado, debe ser reemplazado por el fabricante, por su agente de servicio o por personas igualmente capacitadas, para así evitar una situación peligrosa.

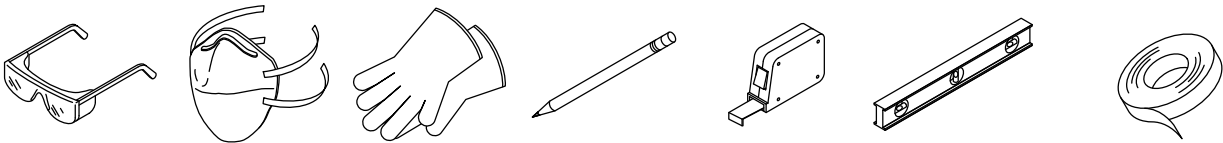
Avisos sobre el producto

¡IMPORTANTE! La presión de funcionamiento recomendada para este sistema va de 35 a 60 psi (241 a 414 kPa).

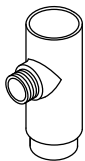
AVISO: Mantenga limpia y sin desperdicios el área alrededor del motor soplador. Verifique que en el área alrededor del motor soplador no haya aserrín, material aislante, suciedad ni otras partículas sueltas pequeñas. Dichos materiales pueden tapar los conductos de aire del motor soplador y reducir el flujo de aire a través del mismo.

AVISO: Este producto tiene un modo de purga automática de agua que enciende el motor soplador durante 5 minutos después de apagar y vaciar la unidad.

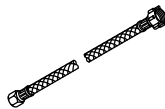
Herramientas y materiales



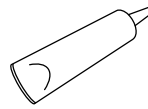
Cinta de enmascarar



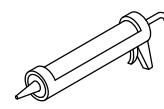
T de latón de 1/2 pulg NPT



1/2 pulg



Sellador 100 % de silicona



Adhesivo de construcción

Más:

- Lona
- Cuñas
- Maderos de 2x4 pulg
- Bloque de madera
- Madera contrachapada para exteriores de 1/2" (13 mm) (para grifería de montaje al reborde)

Antes de comenzar

AVISO: Este producto requiere la instalación remota de un motor soplador. **Antes de continuar, consulte las instrucciones que se incluyen con el kit de instalación remota del motor soplador.**

AVISO: El piso debe soportar adecuadamente la carga. Fíjese en el **número de modelo** en el extremo de componentes de la bañera, y luego consulte información adicional en la página del producto kohler.com.

AVISO: No levante la bañera por los tubos ni por el motor soplador, ni los utilice como soporte estructural de la bañera. Para evitar daños a la bañera, levántela por los lados.

AVISO: Antes de instalar una grifería de bañera de montaje al reborde, consulte las dimensiones del área para la grifería de su modelo en la hoja de especificaciones en la página del producto de baño en kohler.com.

AVISO: Provea el soporte adecuado con tablas de refuerzo a las griferías de montaje al reborde; las griferías grandes que puedan ser utilizadas inadvertidamente como medio de soporte no son seguras para esta instalación.

AVISO: Para asegurar que la instalación sea exitosa, el piso donde se instale la bañera debe estar acabado y nivelado.

Cumpla todos los códigos locales de plomería, construcción y eléctricos.

Para simplificar el mantenimiento en el futuro, verifique que todas las conexiones de plomería y del tablero de control de la bañera queden fácilmente accesibles.

Se requieren 2 personas para hacer esta instalación.

Utilice tubo conduit para tender los cables de alimentación eléctrica desde el interruptor de circuitos.

Planee con cuidado cómo mover la bañera al área de instalación. Esta bañera no cabe fácilmente a través de los marcos de las puertas.

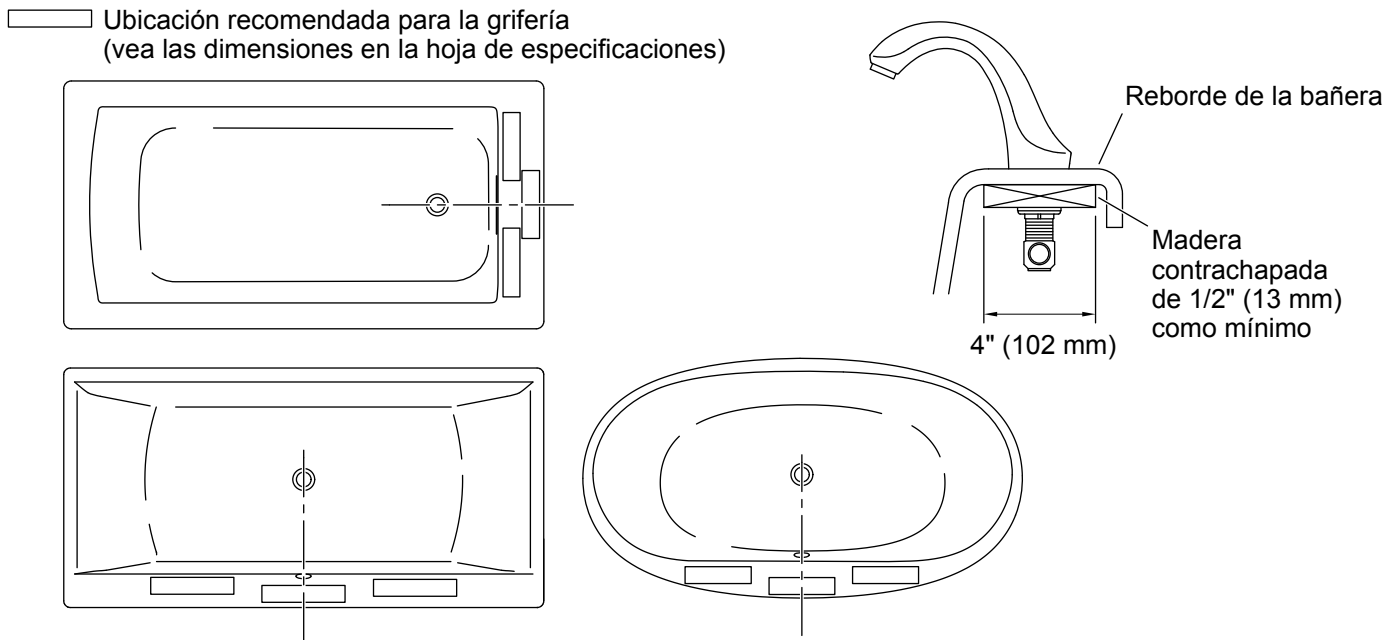
Saque de su embalaje la bañera y sus componentes, y verifique que no estén dañados. Vuelva a colocar la bañera y los componentes en la caja hasta el momento de instalación.

Esta bañera está diseñada solamente para instalación autosoportada.

Si va a instalar una grifería de montaje al reborde, antes de taladrar cualquier orificio verifique que no haya interferencias sobre o abajo del reborde.

Es posible que las ilustraciones no muestren el producto exacto que usted adquirió, pero sí corresponden a esta instalación.

1. Prepare la grifería de montaje al reborde (opcional)



AVISO: Antes de instalar una grifería de bañera de montaje al reborde, consulte las dimensiones de la ubicación para la grifería de su modelo en la hoja de especificaciones en la página del producto de baño en kohler.com.

AVISO: Para adaptarse a la carcasa de la bañera, use conexiones flexibles para unir los suministros de agua a la grifería de montaje al reborde.

AVISO: En instalaciones de griferías de montaje al reborde, tienda las líneas de suministro de agua lo suficientemente altas para permitir acceso para hacer las conexiones finales desde arriba de la carcasa.

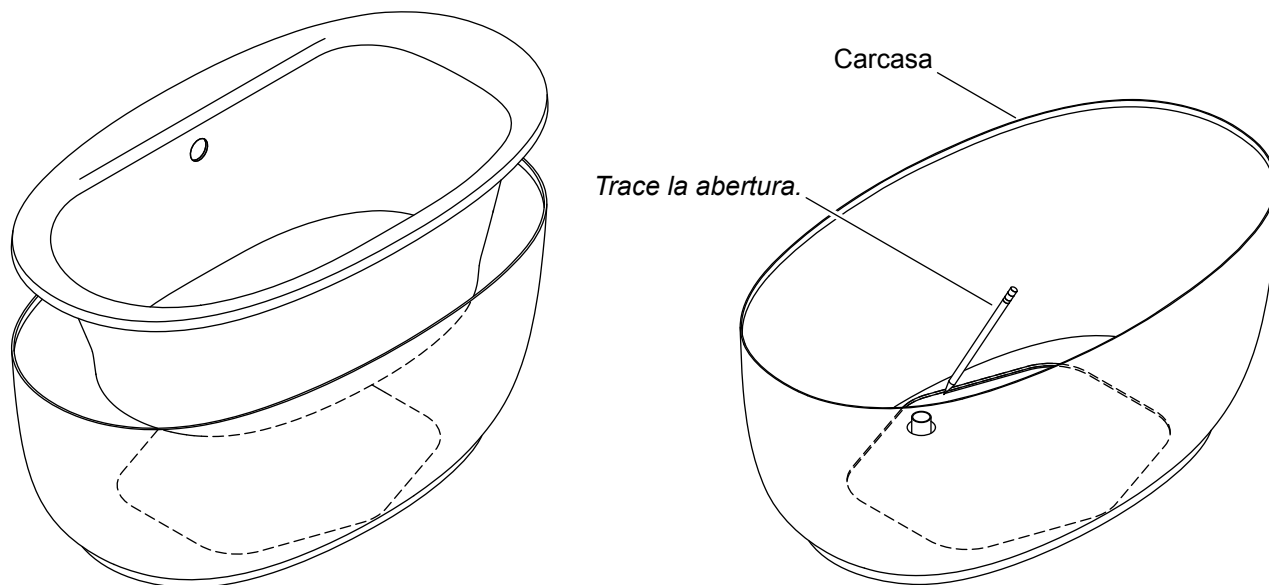
- Consulte la hoja de especificaciones en la página del producto de baño en kohler.com para determinar la ubicación recomendada para la grifería y el modelo de desagüe de su bañera.
- Mida y corte un trozo de madera contrachapada para exteriores de 1/2" (13 mm) como soporte de la grifería. La tabla debe medir 4" (102 mm) de ancho. La longitud debe sobrepasar el ancho entre los orificios para la grifería, para asegurar el soporte adecuado.
- Coloque la grifería en el lugar recomendado sobre el reborde de la bañera. Verifique que la guarnición de la grifería quepa en el reborde de la bañera, sin sobresalir. Antes de taladrar los orificios, verifique que no haya interferencias sobre o abajo del reborde.
- Para determinar el tamaño de los orificios para la grifería, consulte las instrucciones de instalación que se incluyen con la grifería.
- Marque con un lápiz las líneas centrales de los orificios para la grifería. Todavía no taladre los orificios.

⚠ PRECAUCIÓN: Riesgo de daños al producto. Para evitar maltratar la bañera, coloque una pieza delgada de cartón bajo las mordazas antes de apretarlas.

- En la cara inferior del reborde coloque la madera contrachapada, y fíjela con mordazas en su lugar. Para proteger la superficie acabada aplique cinta de enmascarar bajo el cartón donde las mordazas vayan a hacer contacto con la superficie acabada de la bañera. Verifique que las mordazas no queden en contacto directo con el acabado de la bañera.
- Con cuidado taladre los orificios para la grifería.
- Instale la válvula de acuerdo a las instrucciones de instalación incluidas con la misma. **No** instale la guarnición de la grifería mientras no se le indique.

2. Prepare el sitio

ES



AVISO: Mida su producto para preparar el sitio. Fíjese en el **número de modelo** en el extremo de componentes de la bañera, y luego consulte información adicional en la página del producto en kohler.com.

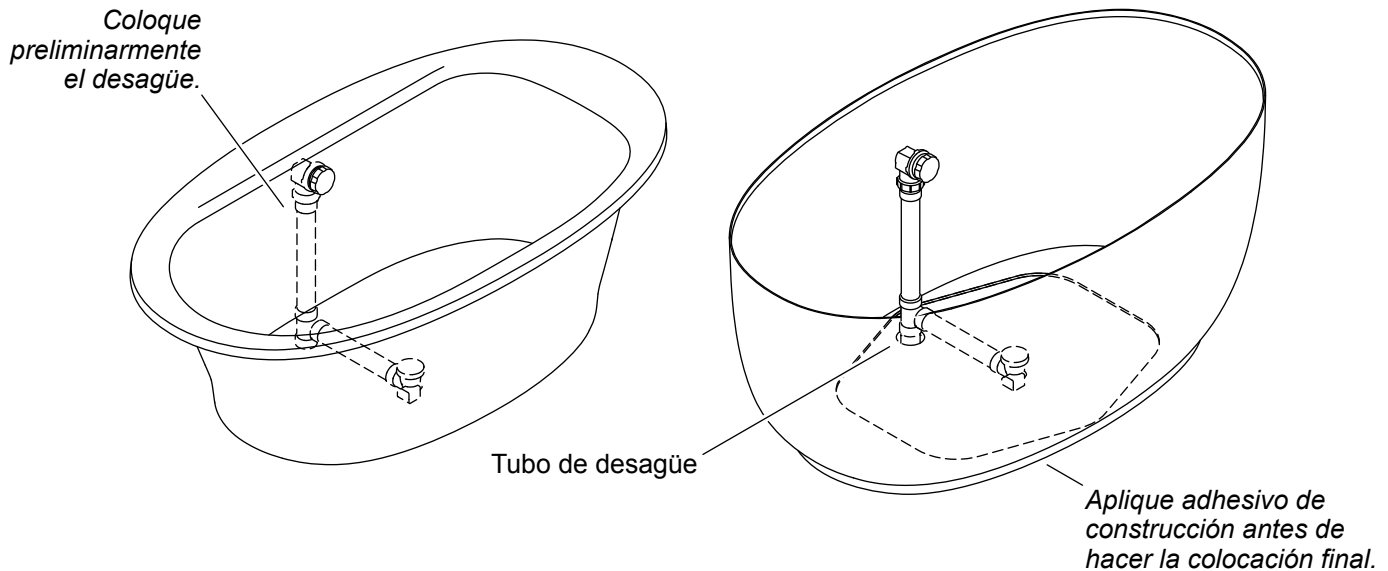
AVISO: Es necesario instalar de manera remota el motor soplador en las instalaciones de bañeras autosportadas. Antes de instalar de manera remota el motor soplador, consulte las instrucciones de instalación que se incluyen con el kit de instalación remota del motor soplador.

¡IMPORTANTE! Para que la instalación sea exitosa, el piso donde se instale la bañera debe estar acabado y nivelado.

¡IMPORTANTE! Verifique que el subpiso ofrezca soporte adecuado para la bañera.

- Cumpla todos los códigos locales de plomería y construcción.
- Coloque temporalmente la bañera y la carcasa en el lugar de instalación.
- Verifique que la **bañera** esté nivelada. De ser necesario coloque cuñas bajo la carcasa, y fije las cuñas al piso con adhesivo de construcción.
- Sin mover la carcasa, levante y retire la bañera de la carcasa.
- Trace en el piso el área de abertura para la carcasa.
- Retire la carcasa y colóquela a un lado.
- Consulte los requisitos de espacio libre para el desagüe en la hoja de especificaciones en la página del producto de baño en kohler.com, y corte el espacio libre adecuado en el piso.
- Consulte los detalles de altura del desagüe en la hoja de especificaciones en la página del producto de baño en kohler.com. Coloque e instale un tubo de desagüe estándar de PVC o de latón para bañera a la altura correcta.

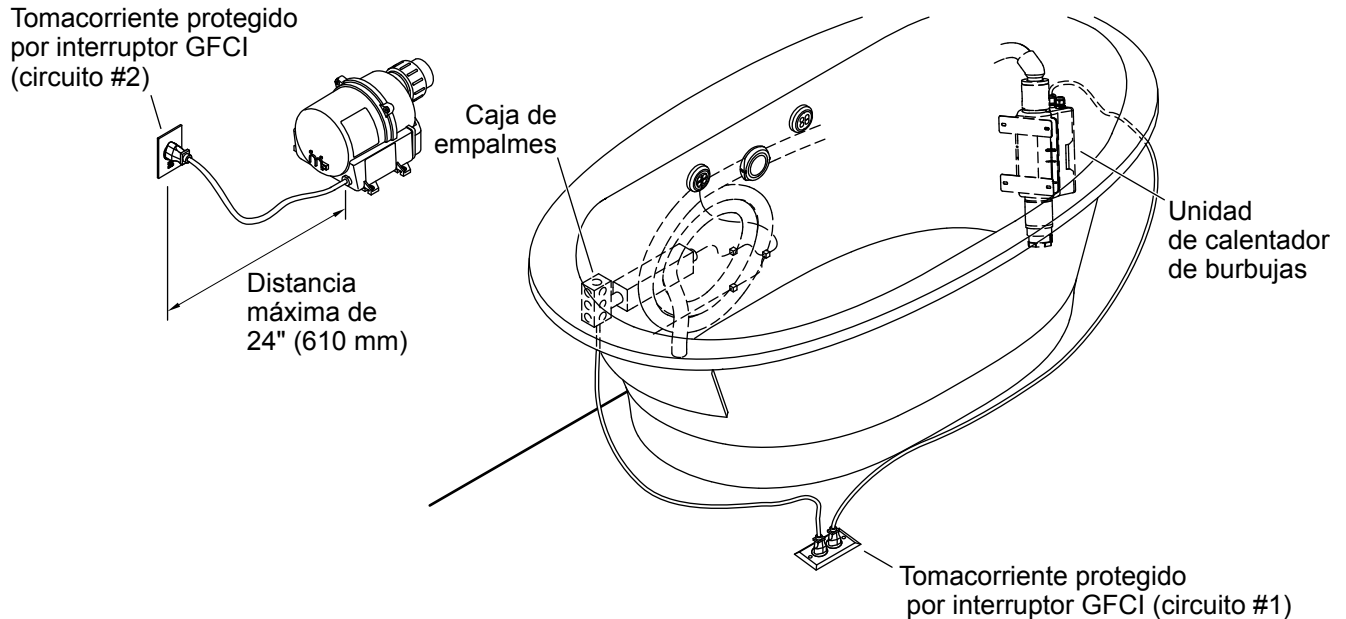
3. Prepare la bañera



AVISO: Consulte las instrucciones del desagüe para colocarlo preliminarmente a la bañera. **No cimente ni termine la instalación del desagüe antes de que se le indique hacerlo.**

- Coloque preliminarmente el ensamblaje del desagüe a la bañera. Consulte las instrucciones para el desagüe. **No aplique sellador ni cemento** a los componentes del desagüe en este momento.
- Afloje las conexiones del desagüe y del rebosadero de la bañera, y retire el ensamblaje del desagüe de la bañera.
- Coloque preliminarmente el ensamblaje del desagüe al tubo de desagüe, que ya ha sido cortado a la altura correcta.
- Coloque temporalmente la carcasa en su lugar sobre el ensamblaje del desagüe.
- Obtenga ayuda para levantar temporalmente la bañera a su lugar en la carcasa. Verifique que el reborde de la bañera quede completamente asentado sobre la carcasa para que encajen las guías de alineación.
- Verifique que las conexiones del desagüe y del rebosadero queden bien alineadas con los orificios del desagüe y del rebosadero en la bañera. Mida y registre todos los ajustes necesarios a la longitud de los tubos del desagüe o del rebosadero.
- Retire la bañera y la carcasa, pero deje el ensamblaje del desagüe y rebosadero conectado al tubo de desagüe.
- Ajuste la longitud de los tubos de desagüe lo necesario para alinear el desagüe con los orificios del desagüe y del rebosadero en la bañera.
- Repita estos pasos de ajuste del desagüe hasta que las conexiones del desagüe y del rebosadero queden alineadas a los orificios del desagüe y del rebosadero en la bañera.
- Cemente y ensamble los componentes del desagüe y del rebosadero. Conecte la T de desagüe al tubo de desagüe.
- Aplique sellador 100 % de silicona a ambos lados de los empaques del desagüe y del rebosadero.
- Aplique adhesivo de construcción de secado lento al fondo de la carcasa.
- Coloque con cuidado la carcasa sobre el desagüe, de manera que el orificio quede alineado con la marca que trazó en el piso.
- Opcional:** Para obtener mayor estabilidad, fije la carcasa al piso con 4 tornillos (no se incluyen).

4. Instale de manera remota el motor soplador



AVISO: Este producto requiere la instalación remota de un motor soplador.

- Consulte las instrucciones que se incluyen con el kit de instalación remota del motor soplador.

5. Haga las conexiones eléctricas

⚠ PELIGRO: Riesgo de sacudidas eléctricas. Conecte la caja de empalmes, el motor soplador y el calentador de burbujas a tomacorrientes con buena conexión a tierra con protección mediante interruptores de circuito con pérdida a tierra (GFCI)*. No retire las clavijas de conexión a tierra de los enchufes. No utilice adaptadores de conexión a tierra.

⚠ AVISO: Riesgo de sacudidas eléctricas. Asegúrese de se haya desconectado el suministro eléctrico antes de realizar los siguientes procedimientos.

AVISO: El motor soplador, la superficie de calefacción y el calentador de burbujas están equipados con cables y enchufes. Un electricista calificado debe instalar 2 tomacorrientes conectados a tierra, de 120 V, 15 A y protegidos cada uno con un interruptor de circuito con pérdida a tierra (GFCI)*. El calentador de burbujas y la superficie de calefacción pueden compartir el mismo circuito dedicado (circuito #1), pero no debe haber ninguna otra carga en este circuito. El motor soplador remoto debe tener su propio circuito dedicado (circuito #2). Este circuito no debe tener ninguna otra carga.

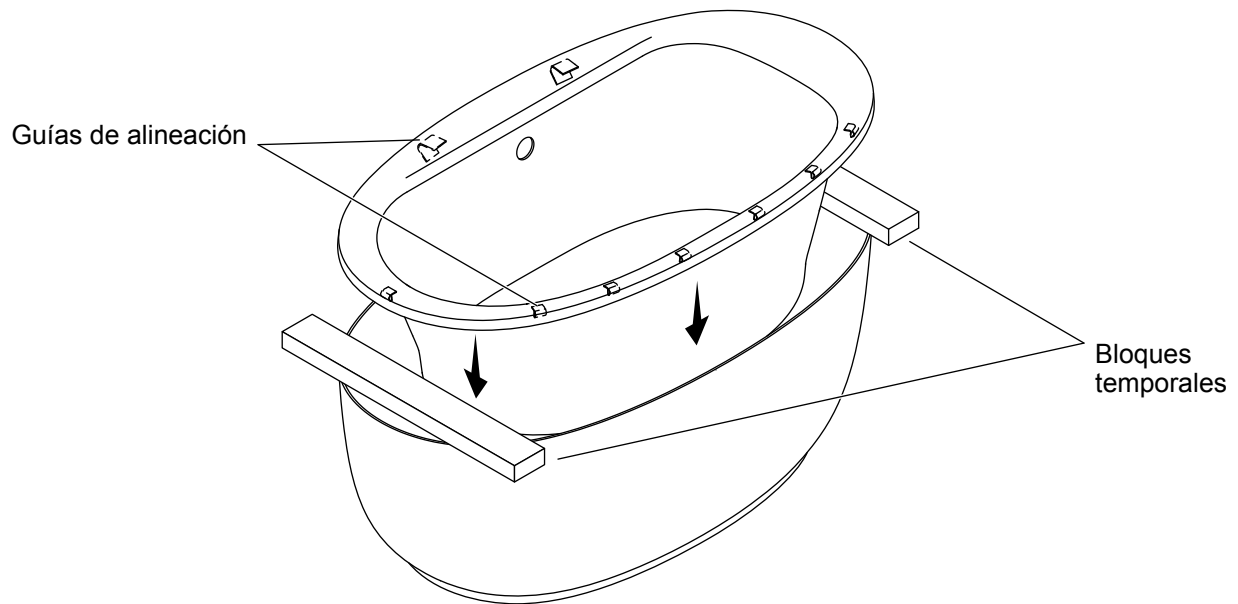
- Instale 2 tomacorrientes protegidos con interruptor de circuito con pérdida a tierra (GFCI)* al alcance de los cables de suministro eléctrico de 24" (610 mm). Uno de los tomacorrientes debe estar a menos de 24" (610 mm) del motor soplador. El otro tomacorriente debe estar a menos de 24" (610 mm) del calentador de burbujas y de la caja de empalmes en el piso o dentro de la carcasa.
- Verifique que el cable del motor soplador esté conectado a uno de los tomacorrientes protegidos con interruptor de circuito con pérdida a tierra (GFCI)* (circuito #2).

- Conecte el cable del calentador de burbujas en el otro tomacorriente protegido con interruptor de circuito con pérdida a tierra (GFCI)*, que está en el piso o dentro de la carcasa** (circuito #1).
- Conecte el cable de la superficie de calefacción en el mismo tomacorriente protegido con interruptor de circuito con pérdida a tierra (GFCI)*, que está en el piso o dentro de la carcasa** (circuito #1).

*Fuera de Estados Unidos y Canadá es posible que este se conozca como dispositivo de corriente residual (RCD).

**Se recomienda instalar el tomacorriente protegido con interruptor de circuito con pérdida a tierra (GFCI)* en un lugar accesible no bajo la carcasa.

6. Instale la bañera

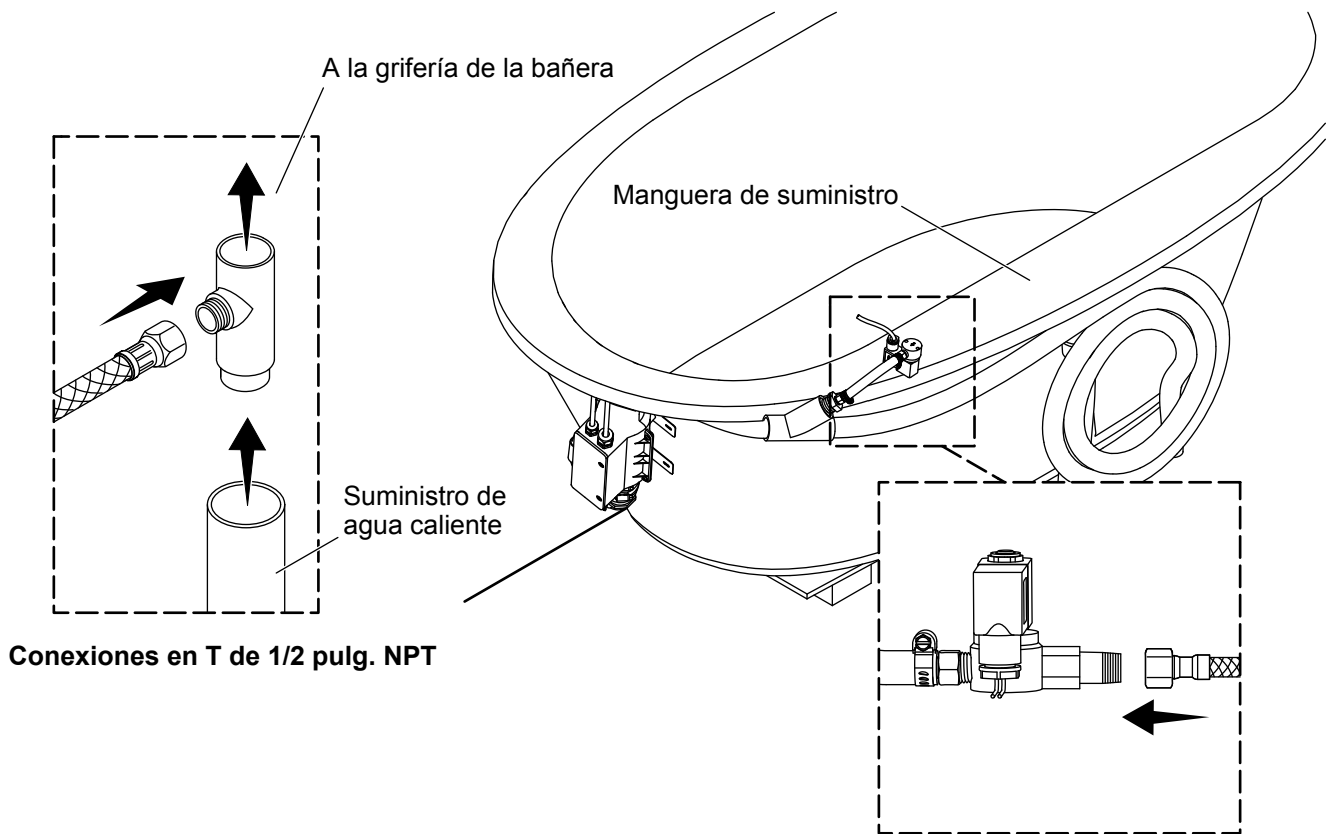


AVISO: No levante la bañera por los tubos ni por el motor soplador, ni los utilice como soporte estructural de la bañera. Para evitar daños a la bañera, levántela por los lados.

NOTA: Para que haya acceso para fijar las conexiones, coloque temporalmente bloques espaciadores en extremos opuestos entre la carcasa y el reborde de la bañera. Coloque los bloques de manera que se evite dañar las guías de alineación, que están ubicadas bajo el reborde de la bañera. El tipo de guías de alineación puede variar de acuerdo al producto.

- Obtenga ayuda para levantar con cuidado la bañera sobre la carcasa y sobre los bloques temporales.
- En una grifería de montaje al reborde, instale la grifería y su guarnición de acuerdo a las instrucciones de la grifería y de la guarnición. Verifique que haya el soporte adecuado bajo el reborde de la bañera para soportar la grifería. Consulte la sección "Prepare la grifería de montaje al reborde (opcional)".

7. Conecte el calentador de burbujas



NOTA: La configuración del suministro de agua puede diferir de acuerdo con el tipo de grifería de bañera que se instale.

- Instale el conector en T (no se incluye) a la válvula de agua caliente en la grifería de la bañera.
- Enrosque la manguera de suministro (no se incluye) en el puerto de 1/2 pulg NPT del conector en T.
- Enrosque el lado opuesto de la manguera de suministro en el niple de latón de 1/2 pulg NPT. **¡No doble las mangueras!**
- Verifique que el cable del calentador de burbujas esté conectado al tomacorriente en el piso o dentro de la carcasa.

8. Complete la instalación

- Con cuidado retire los bloques temporales y verifique que el reborde de la bañera encaje con la parte superior de la carcasa en todos los lados.
- Verifique que todas las guías de alineación queden dentro de la carcasa. No debe quedar ninguna separación entre la bañera y la carcasa.
- Instale la brida del desagüe y la cubierta del rebosadero de acuerdo a las instrucciones del desagüe.
- Cierre el desagüe de la bañera. Llene la bañera hasta el rebosadero, y verifique que no haya fugas.
- Si lo desea, aplique un hilo continuo y delgado de sellador 100 % de silicona transparente o del mismo color que la bañera en la unión entre la carcasa y el piso acabado.

Compruebe el funcionamiento de la bañera

- Revise todas las conexiones eléctricas y verifique que la bañera esté conectada al suministro eléctrico.
- Haga funcionar el teclado de la superficie de calefacción para probar las selecciones de temperatura.
- Llene la bañera a un nivel por lo menos 4" (102 mm) arriba del jet de aire más alto.
- Ponga en funcionamiento la bañera durante 5 minutos y pruebe los jets de aire.
- Para obtener información adicional sobre el funcionamiento de la bañera y de la superficie de calefacción, consulte la Guía del propietario de este producto.

USA/Canada: 1-800-4KOHLER (1-800-456-4537)
Mexico: 001-800-456-4537
kohler.com

THE BOLD LOOK
OF **KOHLER**®

©2022 Kohler Co.



1512795-2

1512795-2-A