

BEFORE YOU BEGIN

- All information is based on the latest product information available at the time of publication. Kohler China Ltd. reserves the right to make changes in product characteristics, packaging, or availability at any time without notice.
- These instructions contain important care, cleaning, and warranty information-**please leave these instructions for the consumer.**
- Make sure that the bath and the finished wall material are completely and correctly installed prior to installing your shower door. Prepare waterproof layer to wall and floor of the showering area. It is not allowed for any presence of electric switches and sockets. Make sure the floor drain runs smoothly.
- Before starting the door installation, lay out and identify all the parts. Use the exploded view illustrated on page 2 for reference.
- For the installation method of customized shower with different dimensions, please refer to this instructions.
- The product complies with QB 2584-2007.

⚠ CAUTION: Risk of injury or product damage.
Tempered glass cannot be cut, drilled or knocked by hard object. Make sure corner area of the glass refraining from knocking so as to cause personal injury due to broken glass.

ATTENTION: Please install this door on Kohler receptors or curbs(Not included). If the curb is not Kohler-branded, please note its top width should be more than 80mm.

IMPORTANT: The shower door requires a flat vertical finished wall. The squareness of the wall is recommended no more than 3 mm/m. KOHLER Company won't take responsibility of the installation quality.

安装之前

- 说明书中所有的资料是按最新发布的产品资料编写而成。科勒中国有限公司保留任何时候无须通知即可改变产品特性、包装或产品可供类型的权利。
- 说明书包括重要的安装、清洁及保养方面的内容, 请把这些资料交给用户阅读, 保管。
- 确保在安装淋浴房之前已经完整正确地安装了浴室和完工墙面材料。淋浴区墙地面应做防水处理, 并不得布置有电器开关、插座。确保地面排水通畅。
- 在进行淋浴房安装之前, 请拿出、排列并确认所有的零部件。请参考第 2 页上所示的分解图。
- 对尺寸与本标准产品不同的定制淋浴房, 参照本说明书进行安装。
- 本产品符合 QB 2584-2007。

⚠ 警告: 可能有人伤害或者产品损坏的危险。
钢化玻璃不能进行切割, 钻孔或硬物敲击。搬移或安装过程中, 小心确保玻璃边、角部位不受撞击, 以防爆裂伤人。

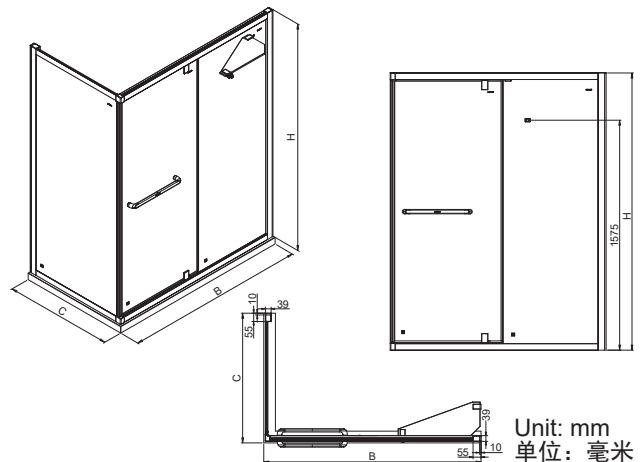
建议: 将本产品安装在科勒淋浴盆或挡水条上(需另行购买)。如自备挡水条, 建议顶面宽度尺寸大于 80mm。

重要事项: 淋浴房需要安装在平坦垂直的墙面上。墙面的垂直度推荐在正负 3mm/m 以内。如果超出此范围, 科勒公司将不保证淋浴房的完美使用。

Do not use the enclosure for at least 24 hours.
安装后 24 小时内请勿使用淋浴房。

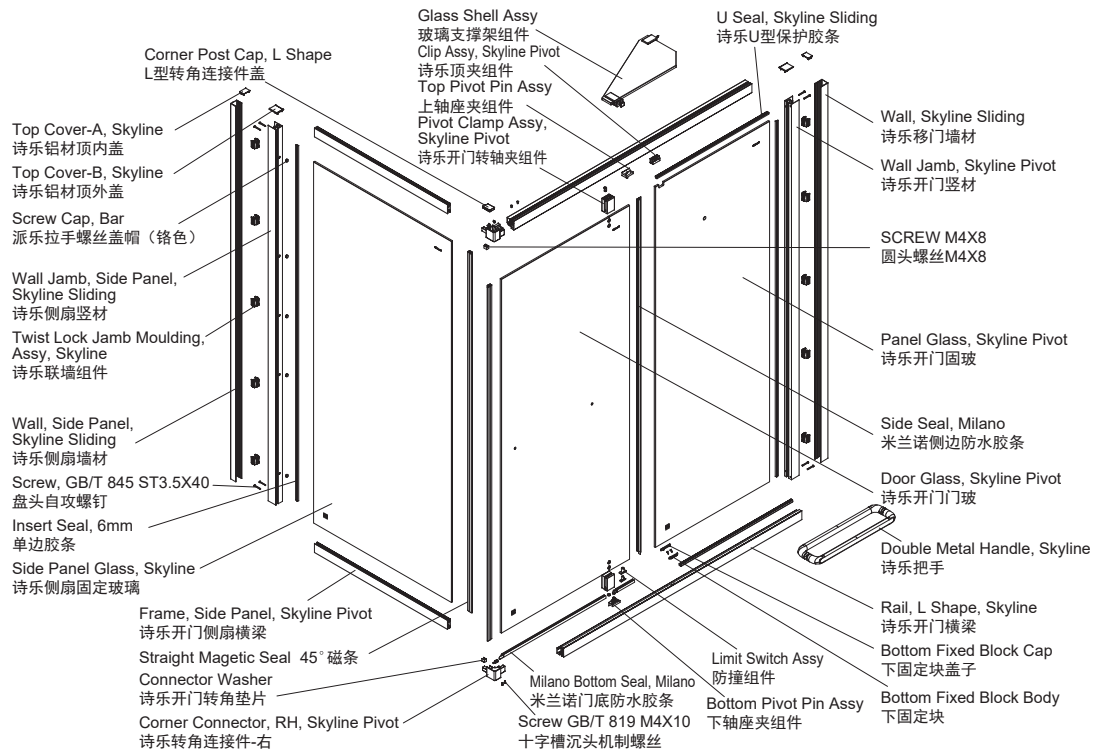


ROUGHING-IN 尺寸图



SKU	B	C	H
K-81019T	900-1600	250-1100	1850-2000

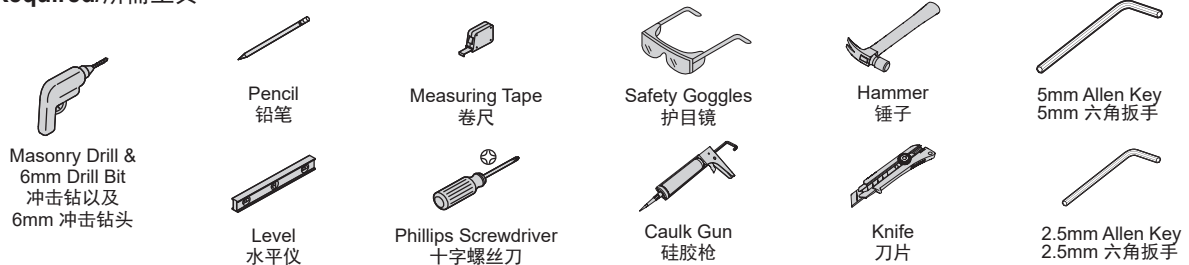
ZHONGSHAN KOHLER SHOWER CO., LTD. NO13-1, XINGYE ROAD, ZHONGSHAN TORCH DEVELOPMENT ZONE, ZHONGSHAN, GUANGDONG, CHINA POST CODE: 528437
中山科勒卫浴有限公司 广东省中山市中山火炬开发区兴业路 13-1 号 邮编: 528437



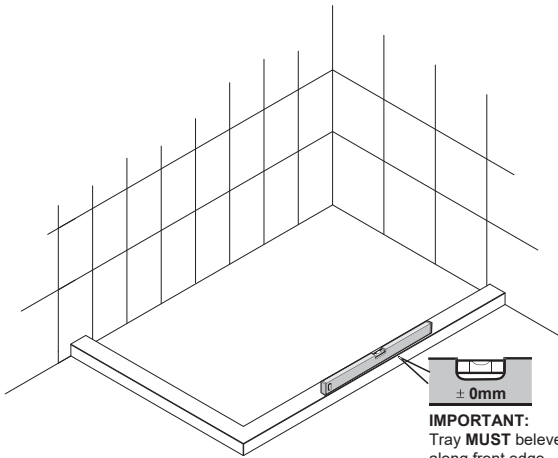
	X1	Wall, Side Panel, Skyline Sliding 诗乐侧扇墙材
	X1	Wall, Skyline Sliding 诗乐移门墙材
	X1	Wall Jamb, Side Panel, Skyline Sliding 诗乐侧扇竖材
	X1	Wall Jamb, Skyline Pivot 诗乐开门竖材
	X2	Rail, L Shape, Skyline 诗乐开门横梁
	X2	Frame, Side Panel, Skyline Pivot 诗乐开门侧扇横梁
	X2	Straight Magetic Seal 45° 磁条
	X1	Side Seal, Milano 米兰诺侧边防水胶条
	X1	Milano Bottom Seal, Milano 米兰诺门底防水胶条
	X1	Insert Seal, 6mm 单边胶条
	X2	U Seal, Skyline Sliding 诗乐U型保护胶条
	X1	Double Metal Handle, Skyline 诗乐把手
	X1	Glass Shell Assy 玻璃支撑架组件
	X2	Pivot Clamp Assy, Skyline Pivot 诗乐开门转轴夹组件
	X10	Twist Lock Jamb Moulding, Assy, Skyline 诗乐联墙组件
	X1	Corner Connector, LH, Skyline Pivot 诗乐转角连接件-左

	X1	Corner Connector, Rh, Skyline Pivot 诗乐转角连接件-右
	X1	Limit Switch Assy 防撞组件
	X2	Connector Washer 诗乐开门转角垫片
	X1	Bottom Pivot Pin Assy 下轴座夹组件
	X1	Top Pivot Pin Assy 上轴座夹组件
	X1	Pin Washer 轴套
	X1	Clip Assy, Skyline Pivot 诗乐顶夹组件
	X9	Screw Cap, Bar 派乐拉手螺丝盖帽 (铬色)
	X1	Bottom Fixed Block Cap 下固定块盖子
	X1	Bottom Fixed Block Body 下固定块
	X2	Top Cover-B, Skyline 诗乐铝材顶外盖
	X2	Top Cover-A, Skyline 诗乐铝材顶内盖
	X1	Corner Post Cap, LShape L型转角连接件盖
	X2	Cover For Screw Head 螺帽盖
	X1	610A Horiz End Cap Silv 装饰盖
	X16	Pan Screw ST3.5X40 圆头螺丝ST3.5X40
	X8	Screw GB/T 819 M4X10 十字槽沉头机制螺丝
	X9	Csk Screw ST3.5X12 沉头螺丝ST3.5X12
	X2	Screw M4X8 圆头螺丝M4X8
	X8	Hollow Wall Anchor, Nylon 膨胀套
	X1	Screw Key 3mm 内六角扳手
	X1	Screw Key 4mm 内六角扳手

Tools Required/所需工具



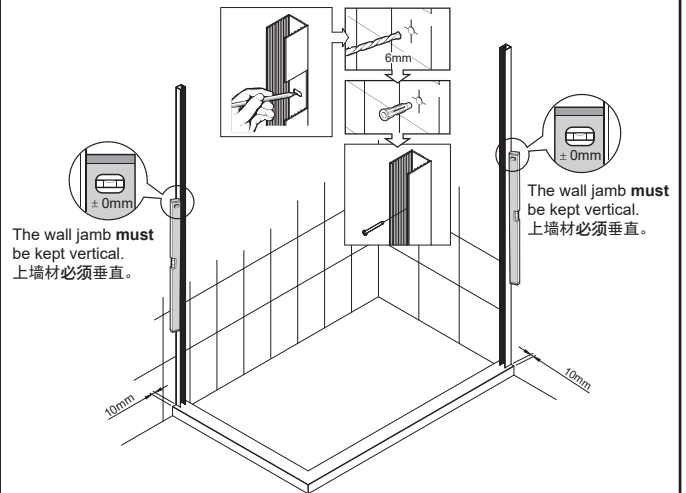
Mark the wall 10mm in from the front edge of the tray.
从挡水台边缘向内偏10mm。



IMPORTANT:
Tray **MUST** be level along front edge.
重要：
底盘必须水平。

STEP 1

Fix front and side wall jambs. The side wall jamb is relatively small.
固定正面和侧面上墙材。注意正面和侧面上墙材大小，侧面上墙材相对较小。

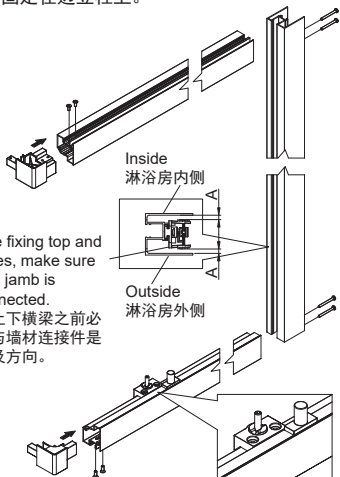


The wall jamb **must** be kept vertical.
上墙材必须垂直。

The wall jamb **must** be kept vertical.
上墙材必须垂直。

STEP 2

Fix the top and bottom frames on the wall jamb.
将上下横梁固定在边立柱上。

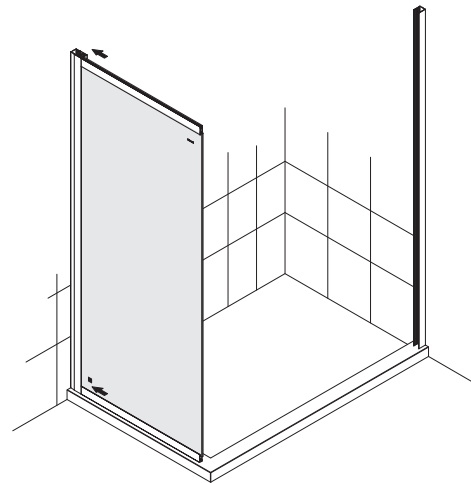


Note: Before fixing top and bottom frames, make sure wall and wall jamb is properly connected.
注意：固定上下横梁之前必须检查竖材与墙材连接件是否组装好以及方向。

Note: Check whether the top and bottom rail pins are properly fixed. Plastic inserts of bottom rail areas shown. Plastic inserts of top rail are flat without notch.
注意：检查上下轨道的轴座有无安装好，下轨道塑料镶件如图。上轨道塑料镶件是平的，没有缺口的。

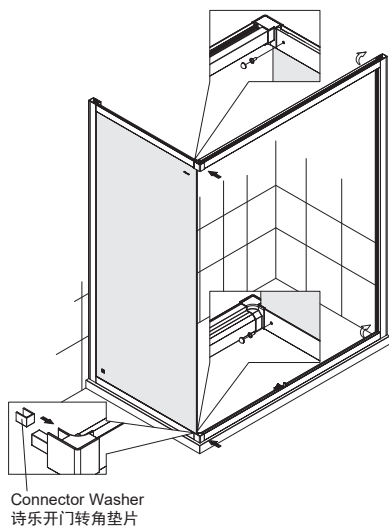
STEP 3

Insert side panel glass with corner connectors into the wall jamb.
将已安装好转角连接件的侧固扇整体插入侧固扇上墙材。



STEP 4

Insert the assembled front frame into the wall jamb.
Tighten the front and side panels. Fix the screw caps.
将已组好的正面框架插入上墙材，用螺丝将侧扇和正面锁紧，盖上螺丝盖帽。

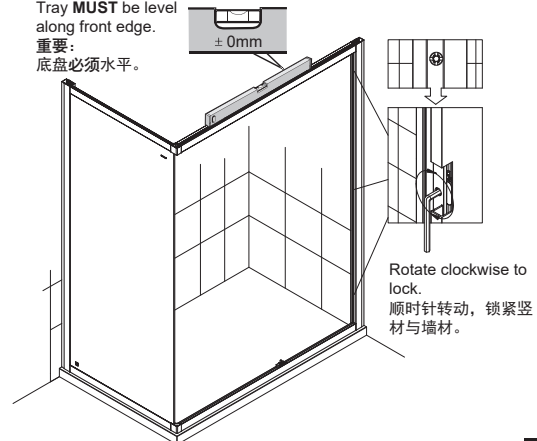


Connector Washer
诗乐开门转角垫片

STEP 5

Adjust the top and bottom frames vertical. The length shall be the same on two sides. Then rotate the lock to fix wall jamb.
将框架上下轨道调水平，垂直，两边铝材长度大致相等，然后旋转联墙组件锁扣，固定墙材和竖材。

IMPORTANT:
Tray **MUST** be level along front edge.
重要：
底盘必须水平。



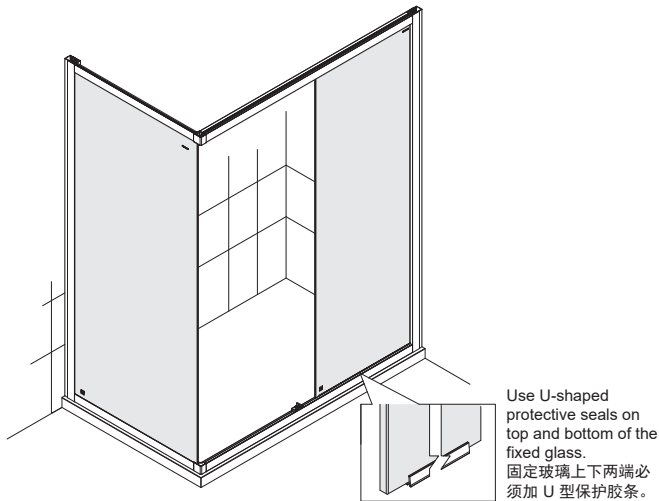
Rotate clockwise to lock.
顺时针转动，锁紧竖材与墙材。

STEP 6

INSTALLATION

安装

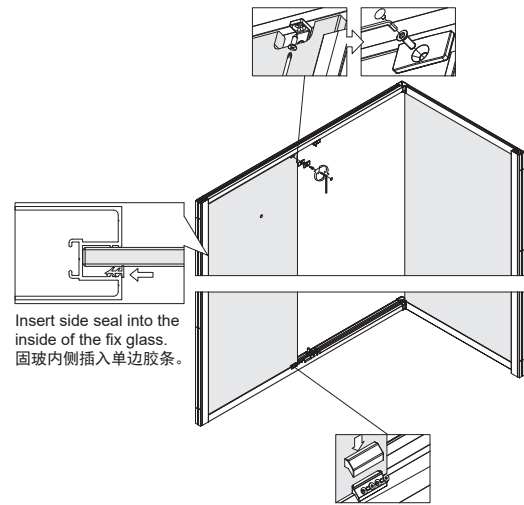
Insert fixed glass into top and bottom rails and then into wall jambs.
将固定玻璃卡入上下轨道，再插入竖材内。



Use U-shaped protective seals on top and bottom of the fixed glass.
固定玻璃上下两端必须加 U 型保护胶条。

STEP 7

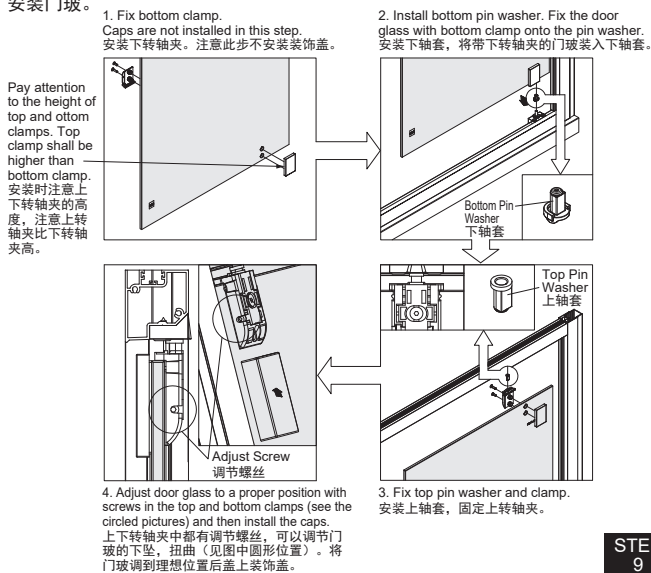
Insert side seal into the inside of the fix glass. Install top and bottom blocks to make the fixed glass firm.
固玻内层插入单边胶条，按照示意图安装上下固定块，固定固玻。



Insert side seal into the inside of the fix glass.
固玻内层插入单边胶条。

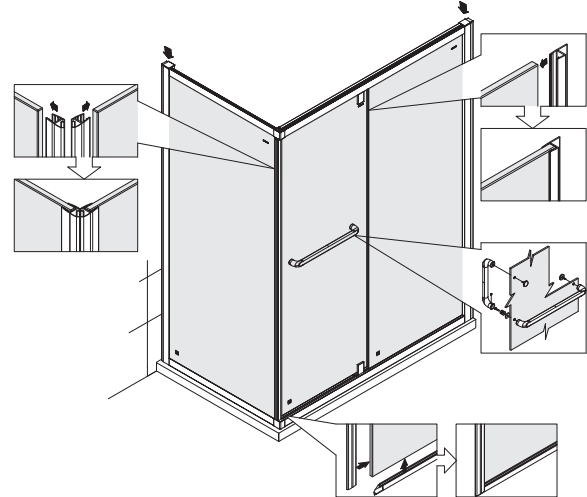
STEP 8

Install door glass.
安装门玻。



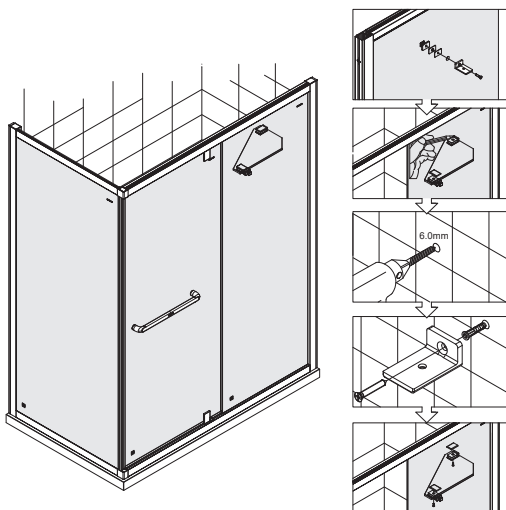
STEP 9

Install seals, handle and top cover.
安装拉手以及胶条、顶盖等。



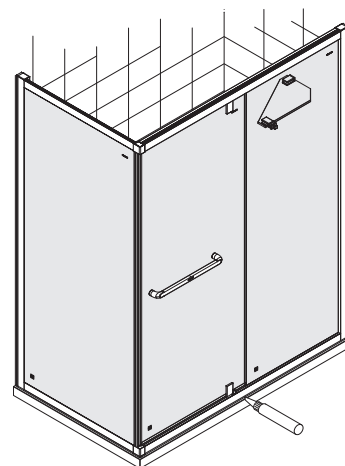
STEP 10

Install glass shelf and make sure it is level.
安装玻璃层板，要求玻璃层板水平放置。



STEP 11

Apply silicone sealant to both sides of the bottom threshold.
挡水配件内外两侧涂一层防水胶。



STEP 12