

## BEFORE YOU BEGIN

- Observe all local plumbing and building codes.
- Prior to installation, unpack the new lavatory and inspect it for damage. Return the lavatory to its protective carton until you are ready to install it.
- All information in these instructions are based the latest product information available at the time of publication. Kohler China reserves the right to make changes in product characteristics, packaging, or availability at any time without notice.
- Fixture dimensions are nominal and conform to tolerances established by ASME Standards (A112.19.2-2013).
- The product complies with GB 6952-2015.

**IMPORTANT:** Make sure that the wall and floor are square and plumb to ensure proper installation.

## 安装之前

- 遵守当地所有给排水及建筑规定。
- 安装之前先开启新脸盆的包装，检查有无破损后放回纸箱中以免碰坏，到准备安装时才取用。
- 本说明书所含一切资料，均以印刷时所有的最新产品为准。科勒公司保留随时更改产品特性，包装或供应情况的权利，恕不另行通知。
- 部件尺寸为标定值，误差符合美国ASME标准(A112.19.2-2013)。
- 本产品符合GB 6952-2015。

注意：墙壁和地板必须方正、平整和水平。

## ORDERING INFORMATION

Modern Life vanity 925mm.....K-77838T  
Modern Life vanity 1225mm.....K-77842T

## 订购信息

明莱一体化台盆925mm.....K-77838T  
明莱一体化台盆1225mm.....K-77842T

## REQUIRED MATERIALS/TOOLS (NOT SUPPLIED)

- Level
- Drill with 6mm bit
- 14mm wrench
- Framing square
- Channel lock pliers
- Tape measure
- Pencil

## 所需工具和材料 (不随货供应)

- 水平尺
- 带6mm钻头的电锤钻
- 14mm板钳
- 定位直尺
- 锁钳
- 卷尺
- 铅笔

No.2 KOHLER ROAD, SANSHUI CENTRAL INDUSTRIAL PARK, LEPING TOWN, SANSHUI DIST., FOSHAN, GUANGDONG, PRC POST CODE 528137  
广东省佛山市三水区乐平镇三水中心工业园区科勒大道2号 邮编：528137

8# MENGSHAN RD, ECONOMIC DEVELOPMENT ZONE OF HUANTAI, ZIBO, SHANDONG, CHINA POST CODE: 256410  
山东省淄博市桓台经济开发区蒙山路8号 邮编：256410

# ROUGHING-IN

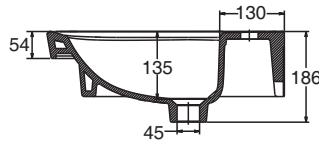
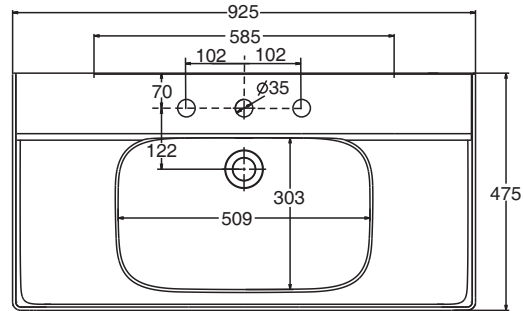
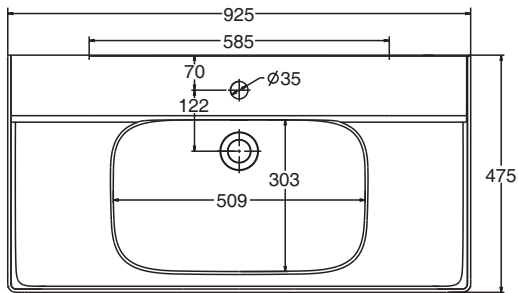
# 尺寸图

Reference Value  
参考值

K-77838T-1

K-77838T-8

UNIT: mm  
单位:毫米



K-77842T-1

K-77842T-8

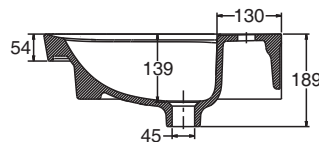
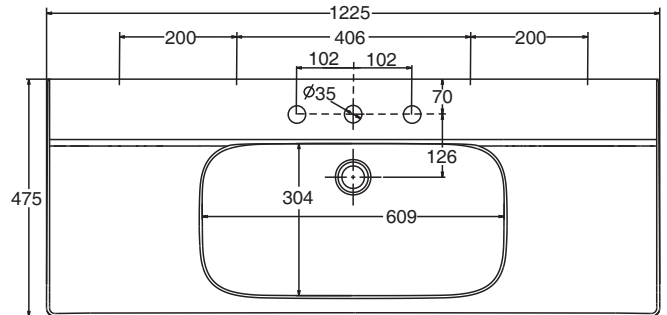
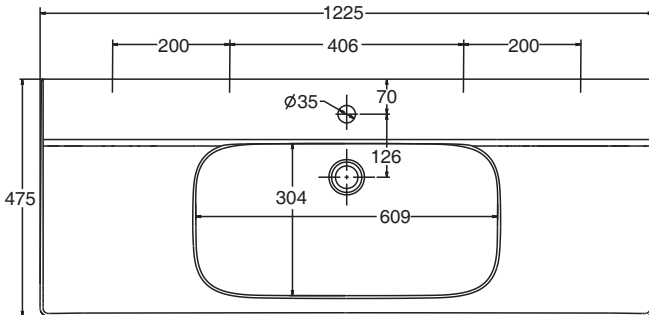


Fig.#1  
图1

Kohler reserves the right to change marked dimensions without prior notice.  
科勒公司保留随时变更图中标示尺寸的权利，无需另行通知。

## INSTALLATION

## 安装

### Install the Basin

### 安装脸盆

**Note!** The lavatory tops must be installed on a cabinet (refer to Installation and User Guide packed with the cabinet for installation details).

**注意!** 此脸盆必须装在橱柜上。(参考附在橱柜内的安装说明获取安装信息。)

- Recommend Kohler bathroom furniture for support or decoration.
- Rough-in the supplies and the drain piping.

- 推荐使用科勒浴室家具作为支撑和装饰。
- 画出供水及排水管道及阀门的轮廓线。

**NOTE:** The supply stop handles cannot extend more than 76mm from the finish wall when in the open position.

**注意:** 供水开关手柄在打开位置时，距离完工墙面不得超过76mm。

- Drill two 10mm hanger bolt holes at the marks on the wall. The nylon anchors is needed for concrete wall (supplied).
- Mount hanger bolts to the wall so approximately 65-75mm of each bolt remains exposed.

- 在墙上标记处钻两个10mm的悬挂螺栓孔。水泥墙面则需要塑料膨胀杆(随货提供)。
- 将悬挂螺栓安装在墙上，并使每个螺栓保持外露约65-75mm。

**NOTE:** 1. Height dimensions marked in fig. 2 and fig. 3 could be adjusted per your the vanity height of the console leg.  
 2. Other fastening devices of sufficient size and strength may also be used.

注意：1. 图2和图3高度方向尺寸可根据橱柜的实际高度适当调整。  
 2. 也可使用其它具有足够尺寸及强度的紧固装置。

K-77838T  
 Modern Life vanity 925mm  
 明莱一体化台盆925mm

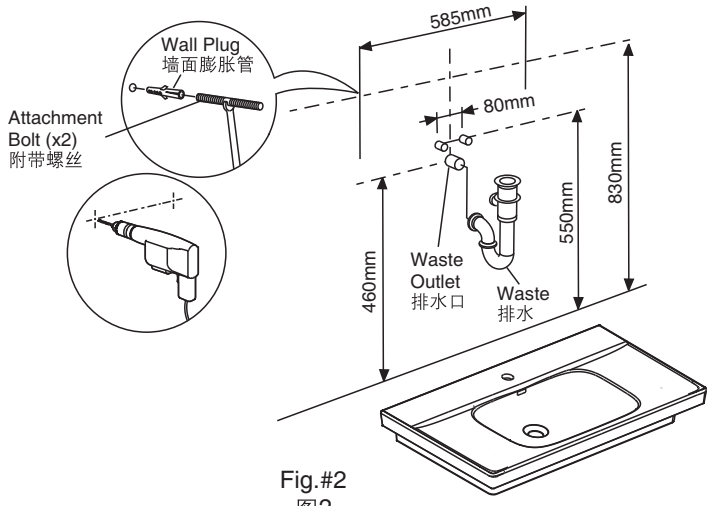


Fig.#2  
图2

K-77842T  
 Modern Life vanity 1225mm  
 明莱一体化台盆1225mm

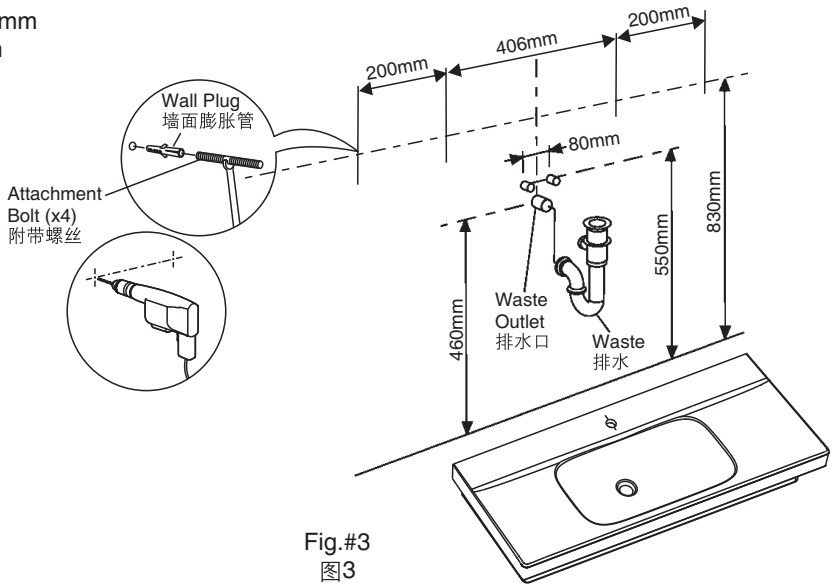


Fig.#3  
图3

- Install the faucet and drain to the lavatory according to the manufacture's instructions.
- Put the sealant around the back wall attached surface of the lav evenly.
- Carefully place the lavatory against the wall, so the hanger bolts extend through the lavatory holes.

- 按照制造商之要求，将水龙头及下水管道安装在洗面盆上。
- 在洗脸盆靠墙面的四周，均匀地涂上密封胶。
- 小心地将洗面盆依墙放置，使悬挂螺栓穿过洗面盆的孔。

- Level the lavatory.
- Install the cap nuts and washers, and tighten until snug.

- 调平洗面盆。
- 安上螺母及垫圈，拧紧。

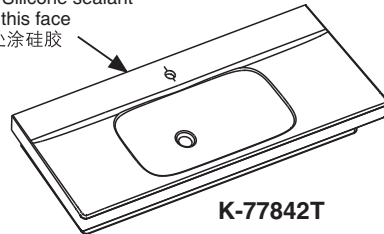
**⚠ CAUTION: Risk of product damage.** Do not overtighten the cap nuts. Overtightening may cause damage to the product.

**⚠ 小心！** 不要把螺帽过分拧紧，否则可能损坏产品。

- Clean the lavatory top.

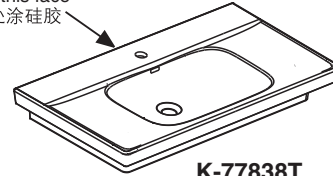
- 清洁脸盆台面。

Apply Silicone sealant along this face  
沿此处涂硅胶



K-77842T

Apply Silicone sealant along this face  
沿此处涂硅胶



K-77838T

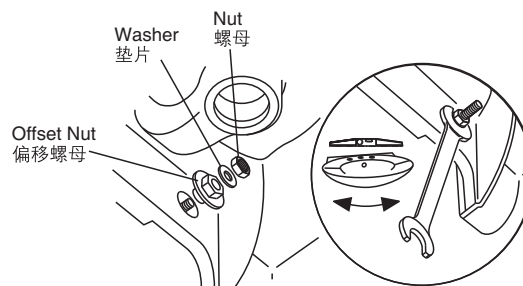


Fig.#4  
图4

## Install the Plumbing

## 安装管道

1. Install the drain 1288760-0 in accordance with the manufacturer's instructions. The position of the overflow assembly will impact the overflow level of the lavatory and can be adjusted if necessary.

1. 根据制造商安装说明安装落水1288760-0。溢水头组件的高度将影响台盆溢水水位高度，请根据需要调节。

**⚠ CAUTION!** Make sure a watertight seal exists on all basin drain connections.

**⚠ 警告！** 确保在脸盆所有的排水连接处有防水密封。

**⚠ CAUTION!** Provide access to the plumbing connections for future plumbing maintenance.

**⚠ 警告！** 提供管道连接检修门以便日后管道维护。

2. Connect the hot and cold water supplies.
3. Open the hot and cold water valves, and check the supply connections for leaks.
4. Run water into the basin, and check the drain connections for leaks.

2. 连接冷热供水。
3. 打开冷热水阀，检查供水连接是否漏水。
4. 向脸盆中注水，检查排水连接是否漏水。

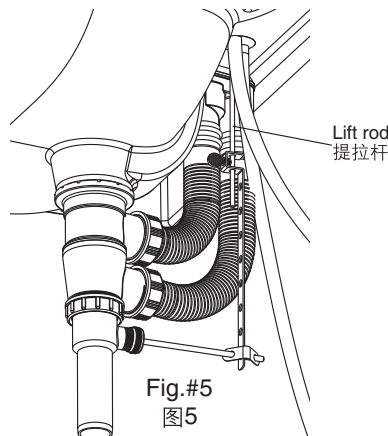


Fig.#5  
图5

## IMPORTANT CONSUMER INFORMATION

## 用户须知

### CARE AND CLEANING


 **CAUTION! Risk of product damage.**

Many cleaners contain abrasive and chemical substances, and should not be used for cleaning stainless steel, enamel, plated or plastic fittings.


These finishes should be cleaned using a mild washing up detergent or soap solution, rinsed and then wiped dry with a soft clean cloth.

To keep your lavatory looking new, make sure you rinse it out thoroughly after each use. **DO NOT USE ABRASIVES** on this product, as they will scratch and ruin the surface. Stubborn stains, paint, or tar can be removed with turpentine or paint thinner.

Do not use the product in the water below 0°C.

 **CAUTION:** Please do not use hard materials (like scouring pad) to clean product surface, especially the product logo.

### 护理及清洁


 **警告！** 有产品损坏的危险。

许多清洁剂包含磨损性的化学物质，不应该用来清洗不锈钢、釉质、镀金或塑料部件。

这些部件应用温和的清洁剂或者肥皂水来清洗、漂净，然后用柔软干净的布擦干。

为保持脸盆常新，请确保每次使用后立即彻底冲洗，但切勿用腐蚀性清洁剂，以防止刮花或磨损盆面。如有顽渍、油漆或柏油点，可用松油或油漆稀释剂清洗。

不要在0°C以下的水环境中使用。

 **警告：** 请勿使用钢丝球等硬质材料擦洗产品表面，特别是产品商标处。

## SERVICE PARTS

## 维修零件

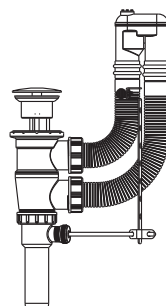
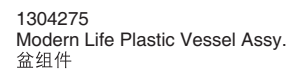
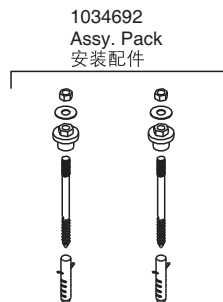


Fig.#6  
图6