

BEFORE YOU BEGIN

安装之前

A. Introduction

- Please read these instructions carefully to familiarize yourself with the required tools, materials, and installation sequences. Follow the sections that pertain to your particular installation. This will help you avoid costly mistakes. In addition to proper installation, read all operating and safety instructions.
- All information is based on the latest product information available at the time of publication. Kohler Co. reserves the right to make changes in product characteristics, packaging, or availability at any time without notice.
- These instructions contain important care, cleaning, and warranty information-**please leave these instructions for the consumer.**

B. Installer Hazard Notification



CAUTION!! Risk of personal injury.

Since the cast iron lav is very heavy, this needs to be performed by at least two people. When installing these products, please wear appropriate safety equipment for the risk of clipping your fingers.

A. 引言

- 请仔细阅读此说明书以熟悉所需要的工具、材料及安装顺序。遵循适合您的特定安装要求的各项内容，避免昂贵的损失。除了要正确安装外，还应阅读操作及安全说明。
- 所有的资料是按最新出版的产品资料编写而成。科勒公司保留任何时候无须通知即可改变产品特性、包装或产品可供类型的权利。
- 安装说明包括重要的安装、清洁及保养方面的内容，**请把这些资料交给用户阅读。**

B. 安装人员危险警告



小心!! 避免人员受伤。

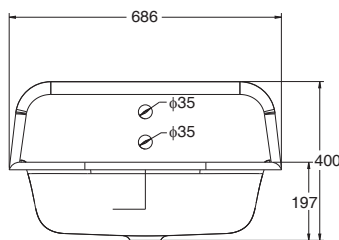
铸铁台盆非常重，需要至少2人协助完成。在安装时，有夹手风险，一定要穿戴合适的安全装备。

ROUGHING-IN

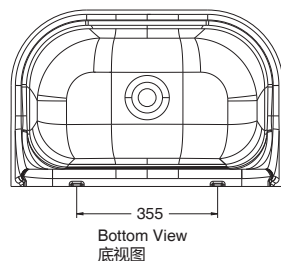
尺寸图

Reference Value
参考值

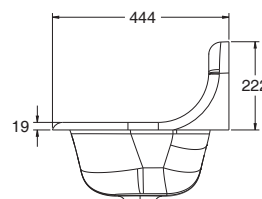
Unit: mm
单位：毫米



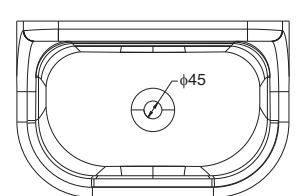
K-20821T



Bottom View
底视图



K-20823T



Top View
顶视图

Kohler reserves the right to change marked dimensions without prior notice.
科勒公司保留随时变更图中标示尺寸的权利，无需另行通知。

PRODUCT REQUIREMENTS

产品要求

A. Summary Of Key Requirements

- Please follow local pipeline drainage construction requirements.
- For a wall-mount cast iron lav, hooks need to be installed on the vertical wall.
- To facilitate assembly, the two USS metric adaptors in the packaging must be used.
- It is recommended to install Kohler K-7119T-CP and K-7120T-CP popup drains. Drains must be fitted with the rubber ring inside the packaging.

B. Product Inspection

- Carefully open the packaging of the lav and check for any damage to the lav. Leave all materials in the crate during construction to prevent damage.
- Carefully open the accessory cartons and remove the components and hardware pack.
- If any damage is observed, please do not install the lav and its accessories. Report the specific problem to your dealer.

A. 关键要求的总结

- 请遵守当地管道给排水施工要求。
- 挂墙铸铁盆需在垂直墙面上安装挂钩。
- 为保证龙头装配，必须使用包装箱内两个美制转公制转接头。
- 推荐安装科勒K-7119T-CP和K-7120T-CP两款弹跳式落水。落水需与包装箱内橡胶圈配合安装。

B. 产品检查

- 小心地打开台盆包装箱并检查台盆是否损坏。施工期间将所有的材料都留在箱内，以防止损坏。
- 小心地打开配件包装箱并检查其是否损坏，取出组件及五金配件包。
- 如果观察到任何损坏，请勿安装台盆和配件。将问题告知经销商。

SHANGHAI KOHLER LTD., NO.368, MIN LE ROAD,
FENG XIAN DISTRICT, SHANGHAI, CHINA POST CODE 201419
上海科勒有限公司 上海市奉贤区民乐路368号 邮编：201419

INSTALLATION REQUIREMENTS

安装要求

A. Tools And Materials Required (Not Supplied)

- Safety glasses
- Tape measure
- Pencil
- Level
- Blade screwdriver
- Phillips screwdriver
- Pliers
- Sealant
- Square
- Knife
- Conventional woodworking tools and materials
- Hand drill
- Metal shims
- Adjustable wrench
- Hex wrench
- Rags

B. Clearance Requirements

Check the dimensions of the product and the bathroom to ensure sufficient space for lav installation.

A. 所需工具及材料 (不随货供应)

- 防护眼镜
- 卷尺
- 铅笔
- 水平尺
- 一字螺丝刀
- 十字螺丝刀
- 老虎钳
- 密封胶
- 直尺
- 美工刀
- 木工常用工具和材料
- 手枪钻
- 金属薄片
- 活动扳手
- 六角扳手
- 抹布

B. 预留尺寸

检查产品尺寸及浴室尺寸，确保有足够的空间安装台盆。

SITE REQUIREMENTS

安装现场要求

A. Remove the old lav (if necessary)

B. Preparation for wall-mount cast iron lav installation

NOTE: Must make sure there is sufficient support from the wall. Approximately 36kg of dead weight of cast iron lav.

- Make sure wall is plumb. Refer to the "ROUGHING-IN" dimension drawing and check if there is enough space in the bathroom.

C. Plumbing Preparation

Position the plumbing according to rough-in dimensions. Check the supplies for leaks.

A. 拆除旧台盆 (如有必要)

B. 挂墙式铸铁台盆安装准备

注: 必须确保墙面支撑力足够，铸铁盆自重约36kg。

- 确保墙面水平，参考尺寸图查看浴室有足够空间。

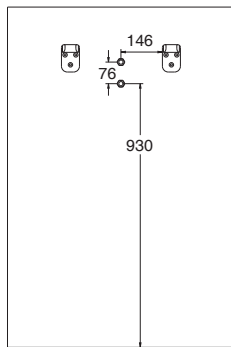
C. 管道的准备

将管道按安装尺寸安置。检查供水管道是否漏水。

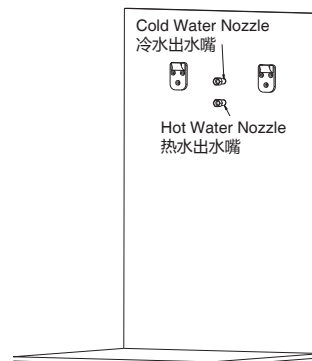
INSTALL THE FREESTANDING LAV

安装独立式台盆

1. Verify the installation position for the wall-mount cast iron lav. The surface of the wall should be plumb. The floor should be as level as possible. This cast iron lav is compatible with faucets with USS thread. To facilitate assembly, two USS metric adaptors in the packaging must be used. Refer to the dimensions in this instruction before installing CW/HW piping in the bathroom to make sure the height of the CW/HW pipe outlet is concentric with the installation hole for the faucet on the cast iron lav. The in-wall outlets are arranged vertically, of which the lower is connected to HW, 930mm above the floor, and the upper is connected to CW, which is 76mm from the lower HW outlet. Please notice that the width of the cast iron lav is 686mm and make sure there is adequate space along the width.



1. 确定挂墙铸铁盆安装位置，墙面需保持垂直，地面尽量保持平整。该铸铁盆需匹配使用进口美制丝牙龙头，为保证装配，必须使用包装箱内两个美制转公制转接头。在卫生间排布冷热水管前必须参考本说明书尺寸，确定墙内预埋冷、热水出水嘴的高度与铸铁盆两个龙头安装孔同圆心。埋墙出水嘴成竖排布，靠下的出水嘴接热水，距离地面930mm。靠上的出水嘴接冷水，距离靠下的热水出水嘴距离为76mm。注意铸铁盆宽度为686mm，需确保宽度方向有足够空间。



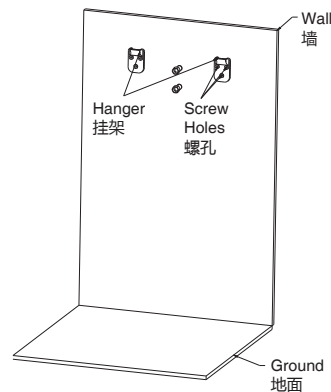
2. Installing the hanger.

The hanger is 356mm apart, 178mm from either side of the CW/HW outlets. Lower edge of the hanger is 971mm above floor. Drilling and screwing are required after setting out.



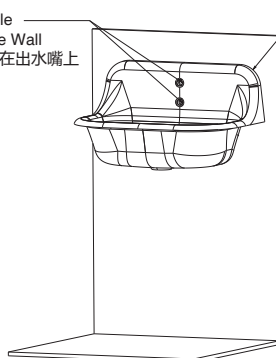
2. 安装挂架。

挂架中线距离为356mm，分别在冷热出水嘴两边178mm。挂架下缘距离地面971mm。画线定位后须在墙面打孔并拧入螺丝。



3. Hang the cast iron lav on the wall and install the faucet adapter.

Install Adapter In The Nozzle
After Lav Is Hanged On The Wall
台盆挂上墙后将转接头安装在出水嘴上

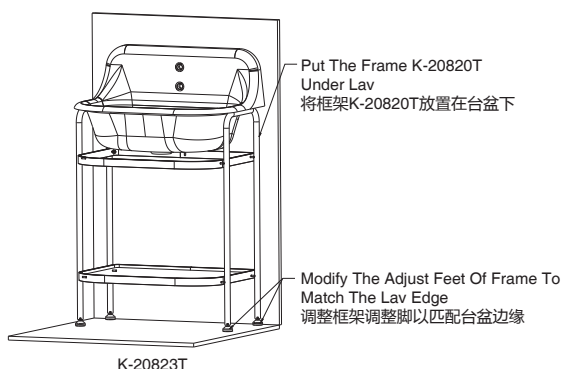


3. 将铸铁盆挂上墙并安装龙头转接头。

Hang The Lav In The Hanger Fixed On The Wall
将台盆挂在与墙面固定的挂架上

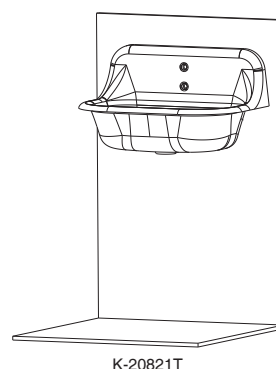
4. Installing the hanger.

K-20821T BROCKWAY CI LAV cast iron lav does not need a hanger and can be hung on walls for installation.
K-20823T BROCKWAY cast iron lav with cabinet needs to be installed with hanger K-20820T. Before installation of the hanger, the adjustment foot needs to be retracted as much as possible so that the hanger can be inserted into the lower edge of the lav. The feet may be adjusted after the hanger is set. Please see instruction for K-20820T for detailed method of assembly.



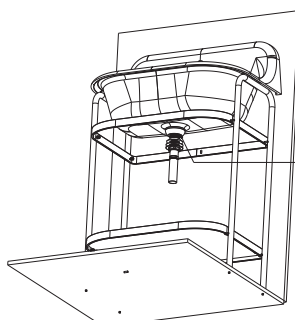
4. 安装挂架。

K-20821T 铂克维铸铁台盆无需匹配架子，挂墙安装即可。
K-20823T 铂克维铸铁台盆柜组合需要匹配架子K-20820T。架子安装前需将调整脚拧至最短，使架子可以嵌入台盆下缘。架子放入后可调整调整脚高度。架子的具体组装方式请参考K-20820T说明书。



5. Installing drain for the lav.

To ensure that the lav fits more drains, there is a rubbing ring in the packaging of the product. Please assemble this rubber ring when installing the downspout.



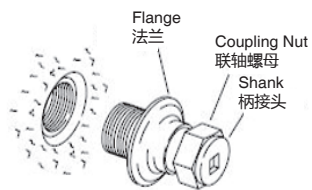
Install Rubber Ring To Match Different Length Drain
安装橡胶垫圈匹配不同长度的落水

5. 安装台盆落水。

为确保该台盆可适配更多落水器，产品包装箱内配有橡胶圈一个，在安装落水时请装配此胶圈。

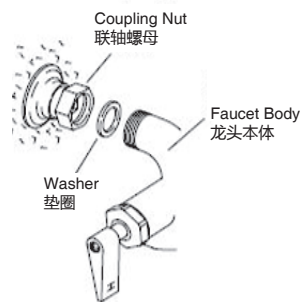
6. Installing the faucet.

K-8892-RP Cannock faucet is recommended. Remove the Shank from the faucet K-8892 assembly kit. Screw it into the USS to metric adaptor, which is already installed into the wall. Screw coupling nut with the faucet body. For steps for faucet installing apart from the installation of USS to metric adaptor, please refer to the installation instruction K-8892 Cannock.



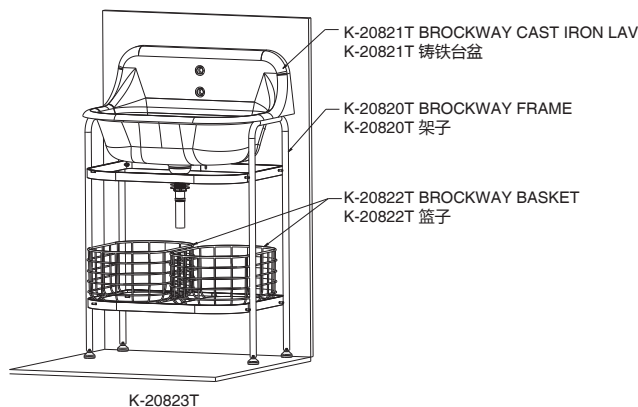
6. 安装龙头。

推荐安装K-8892-RP脸盆龙头。取出龙头K-8892安装包中的柄接头，先将其拧入已安装入墙的美制丝牙转公制丝牙转接头内。然后再拧动联轴螺母与龙头本体连接。除美制丝牙转公制丝牙转接头安装之外的其他龙头安装步骤请参考K-8892 安装说明书。



7. Installation of K-20823T BROCKWAY cast iron with cabinet is complete.

7. K-20823T 铂克维铸铁台盆柜组合完成全部装配。



INSTALL THE PLUMBING

安装管道

1. Install the plumbing.
2. Open the hot and cold water supplies and check all connections for leaks.
3. Pour water into the lav to check for leakage of downpipe installation.

1. 安装卫生管道。
2. 开启冷热水水管，然后检查所有连接是否渗漏。
3. 台盆中放水，检查落水连接是否渗漏。

COMPLETE THE INSTALLATION

完成安装

Cast Iron Surfaces

Please do not use abrasive cleaning tools to clean the product after installation to prevent the surface from scratches and damage. Use lukewarm water and non-abrasive liquid detergent to clean the surface of the lav.

CAUTION: Please do not make the lav in prolonged contact with detergent containing gasoline solution.

Remove stubborn stains, paint, or tar with turpentine or paint thinner.

Remove plaster by scraping with a wood edge. Do not use metal scrapers, wire brushes, or other metal tools. You can use a powder-type detergent on a damp cloth to provide mild abrasive action to any residual plaster.

铸铁表面

在安装完成后进行清理时，请勿使用磨损性的清洁用具，以免擦伤台盆表面，使其失去光泽。使用温水和非磨损性的液体清洁剂，清洗台盆表面。

小心：请不要让含有汽油溶解物的清洁剂和台盆长时间接触。

使用松节油或涂料稀释剂去除顽固的污渍、油漆或沥青。

滞留水泥可用薄木刀刮掉。请不要使用金属刮刀，钢丝刷，或其它金属工具，对残留的灰泥，可用湿布粘些洗衣粉，以提供轻微的研磨作用。

IMPORTANT CONSUMER INFORMATION

用户须知

CARE AND CLEANING

To keep your lavatory looking new, make sure you rinse it out thoroughly after each use. **DO NOT ABRASIVES** on this product, as they will scratch and ruin the surface. Stubborn stains, paint, or tar can be removed with turpentine or paint thinner.

护理及清洁须知

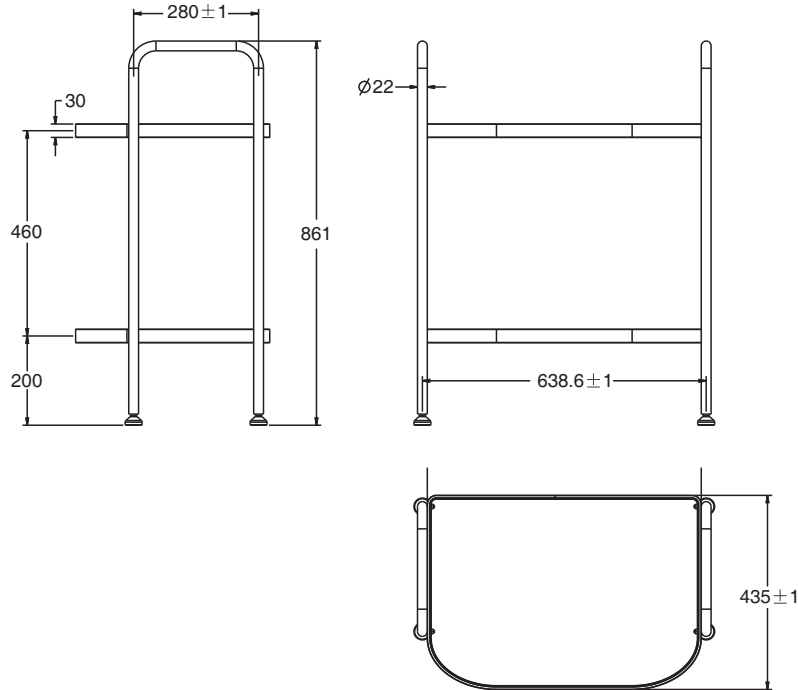
为保持脸盆光洁如新，须确保每次使用后彻底冲洗干净，**切勿使用腐蚀性的清洁剂**，以免刮花及破坏脸盆的表面。要清除顽固污垢，油漆或柏油，可使用松油或油漆稀释剂。

ROUGHING-IN

尺寸图

Reference Value
 参考值

Unit:mm
 单位:毫米



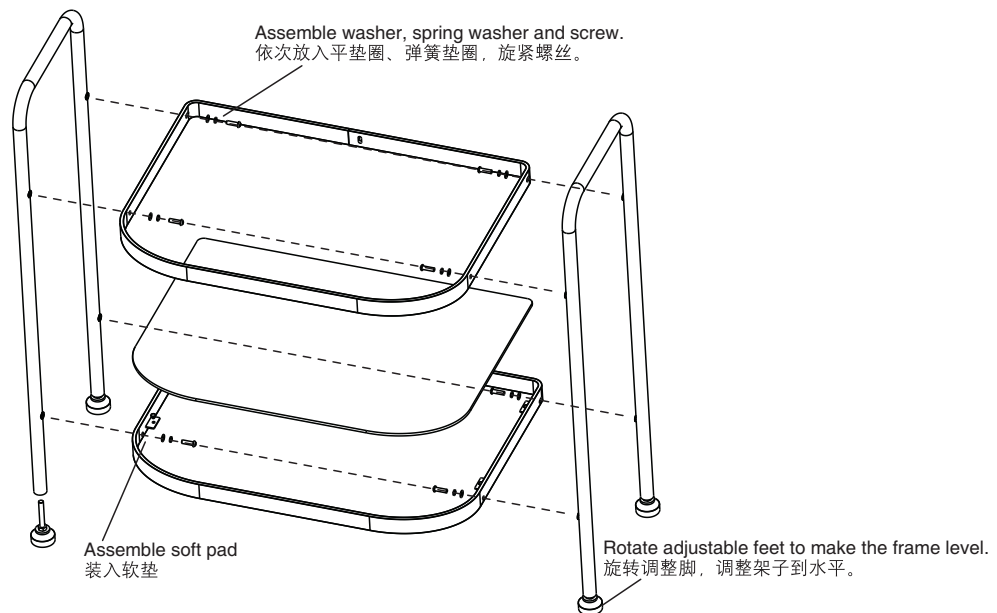
Kohler reserves the right to change marked dimensions without prior notice.
 科勒公司保留随时变更图中标示尺寸的权利, 无需另行通知。

INSTALLATION

安装

1. Open the package, and then assemble the brockway frame following the figure.

1. 打开包装, 按图示要求, 将架子组装好。



SHANGHAI KOHLER LTD., NO.368, MIN LE ROAD,
 FENG XIAN DISTRICT, SHANGHAI, CHINA POST CODE 201419
 上海科勒有限公司 上海市奉贤区民乐路368号 邮编: 201419

CARE AND CLEANING

When cleaning up, do not use abrasive cleaners, as they may scratch and dull the product surface. Use warm water and a clean cloth to clean the surface.

护理和清洁

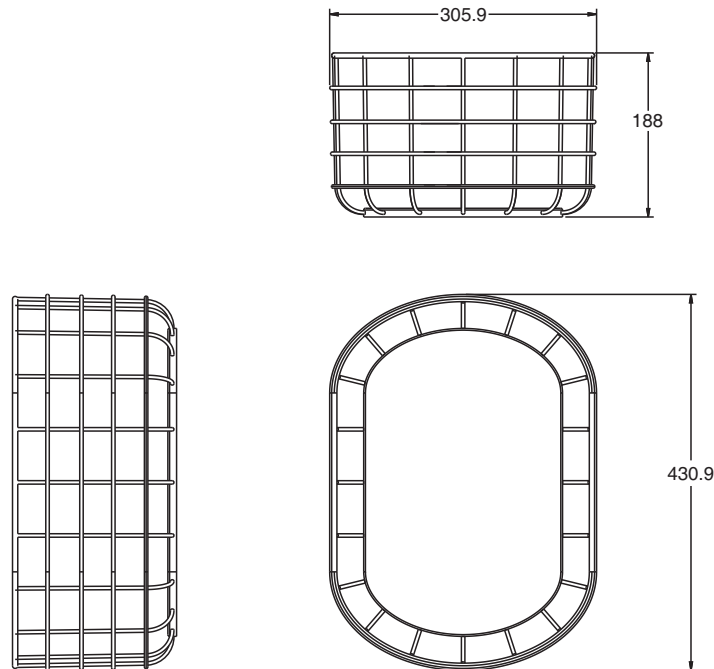
清理时请勿使用磨损性的清洁用具，以免擦伤产品表面，使其失去光泽。使用温水和干净的抹布清洁表面。

ROUGHING-IN

尺寸图

Reference Value
参考值

Unit:mm
单位:毫米



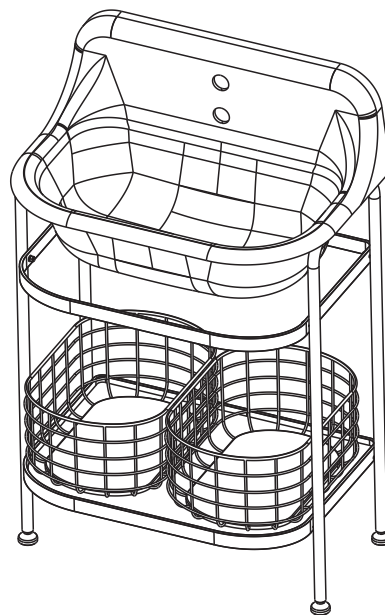
Kohler reserves the right to change marked dimensions without prior notice.
科勒公司保留随时变更图中标示尺寸的权利, 无需另行通知。

INSTALLATION

安装

1. Open the package, and then check whether there is any product damage. Put the basket on the glass shelf of Brockway frame.

1. 打开包装, 检查产品无损坏后将篮子放到Brockway架子的玻璃板上。



SHANGHAI KOHLER LTD., NO.368, MIN LE ROAD,
FENG XIAN DISTRICT, SHANGHAI, CHINA POST CODE 201419
上海科勒有限公司 上海市奉贤区民乐路368号 邮编: 201419

CARE AND CLEANING

When cleaning up, do not use abrasive cleaners, as they may scratch and dull the product surface. Use warm water and a clean cloth to clean the surface. And then to dry before using.

护理和清洁

清理时请勿使用磨损性的清洁用具，以免擦伤产品表面，使其失去光泽。使用温水和干净的抹布清洁表面。然后晾干后使用。