

BEFORE YOU BEGIN

- Please read these instructions carefully to familiarize yourself with the required tools, materials, and installation sequences. Follow the sections that pertain to your particular installation. This will help you avoid costly mistakes. In addition to proper installation, read all operating and safety instructions
- All information is based on the latest product information available at the time of publication. Kohler China Ltd. reserves the right to make changes in product characteristics, packaging, or availability at any time without notice.

安装之前

- 请仔细阅读此说明书以熟悉所需要的工具、材料及安装顺序。遵循适合您的特定安装要求的各项内容，避免昂贵的损失。除了要正确安装外，还应阅读操作及安全说明。
- 所有的资料是按最新出版的产品资料编写而成。科勒中国有限公司保留任何时候无须通知即可改变产品特性、包装或产品可供类型的权利。

NOTES

- Observe all local plumbing and plumbing codes.
- Inspect waste and supply tubing; replace if necessary.
- The drain has removable parts.
- Do not use sharp and hard objects when taking out the drain plug to avoid scratching it.

注意事项

- 遵守所有本地的水管安装及施工规程。
- 检查污水及供水管道。如有必要，即予更换。
- 下水装置具有可拆卸式零件。
- 在拔取落水塞的时候，注意不要使用硬物，避免划伤。

Tools Required

- Assorted screwdrivers
- Adjustable or open end wrench
- Pipe wrenches
- Pliers
- Long flat nose pliers
- Hex Wrench

所需工具

- 各种类型的螺丝刀
- 活络扳手或开口扳手
- 管子钳
- 老虎钳
- 尖嘴钳
- 内六角扳手

ROUGHING-IN

尺寸图

Reference Value
参考值

UNIT: mm
单位: 毫米

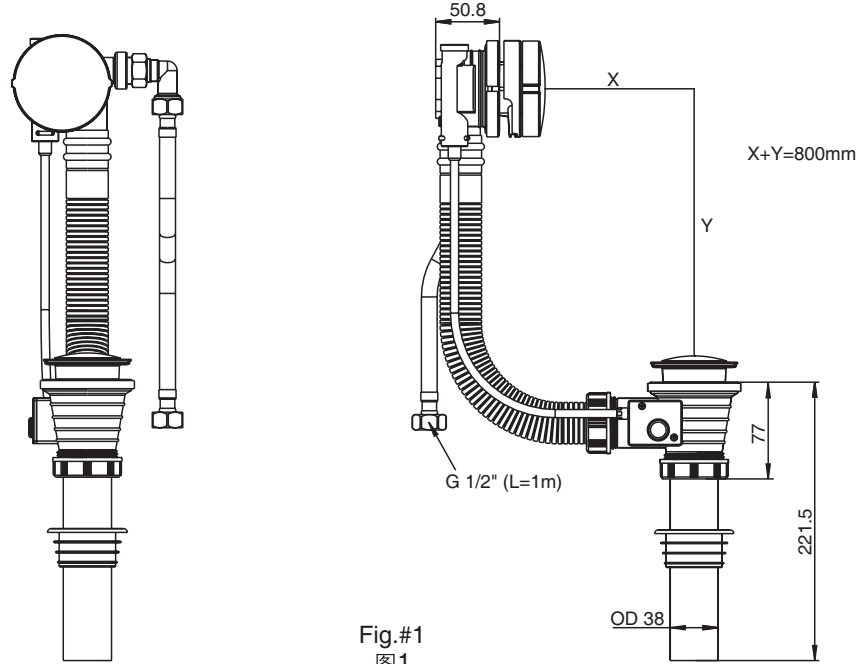


Fig.#1
图1

Kohler reserves the right to change marked dimensions without prior notice.
科勒公司保留随时变更图中标示尺寸的权利, 无需另行通知。

INSTALLATION

安装

- | | |
|-----------------------------|------------------|
| 1Plug Assy. | 1塞子组件 |
| 2Fix Screw Strainer | 2紧固螺栓 |
| 3Strainer | 3法兰盘 |
| 4Drain Seal | 4橡胶密封圈 |
| 5Drain Body Assy. | 5排水座组件 |
| 5a ...Control Cable Assy. | 5a ...控制线组件 |
| 5b ...750mm Flex Pipe Assy. | 5b ...750mm波纹管组件 |
| 5c ...Overflow Assy. | 5c ...溢水头组件 |
| 6Washer | 6平垫片 |
| 7Drain Pipe Nut | 7塑料压紧螺母 |
| 8Drain Pipe | 8去水尾管 |
| 9Coupling | 9密封接口 |
| 10 ...Overflow Gasket | 10 ...密封垫片 |
| 11 ...Spout Assy. | 11 ...出水嘴组件 |
| 12 ...Fix Nut | 12 ...压紧螺母 |
| 13 ...Retainer Ring | 13 ...塑料卡圈 |
| 14 ...Hand Wheel Assy. | 14 ...手轮组件 |
| 15 ...Hose | 15 ...进水管 |

Note: Parts 5, 5a, 5b, 5c and 13, 14 are assembled by factory.

注意: 零件5, 5a, 5b, 5c及13, 14由工厂组装。

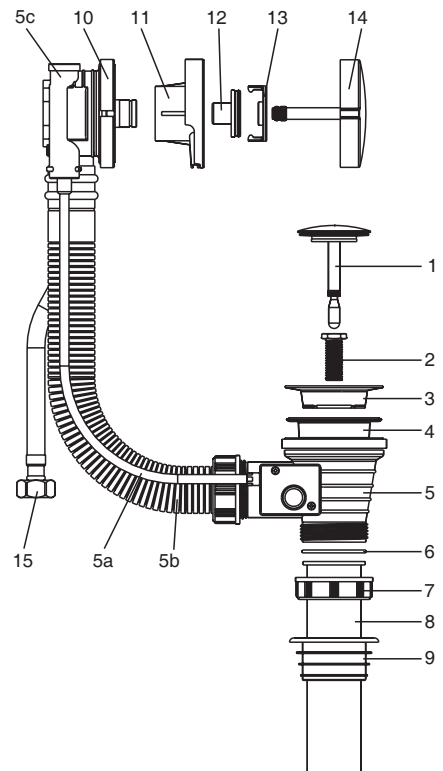


Fig.#2
图2

Unpack drain and ensure that the Control cable assy. ⑤a is not twisted or awkwardly bent.

Please ensure that the bath is placed on wooden blocks or bricks to protect the waste body under the bath.

Installation steps:

1. Fit Drain seal ④ to bath drain hole, and apply silicone.
2. Insert Strainer ③ into hole of Drain seal ④ in bath from upper side.
3. Strainer ③ to Drain body assy. ⑤ by means of Fix screw strainer ②. Do not tighten firmly at this stage.
4. Apply a bead of silicone around the overflow hole, on the outside of the bath.
5. Offer Overflow assy. ⑥ (with Overflow gasket ⑩) to back of overflow opening, ensuring they are centrally positioned and then insert Spout assy. ⑪ into Overflow assy. ⑥ and screw Fix nut ⑫.
6. Centralise Strainer ③ with Drain body assy. ⑤ by lining up ribs of each directly in line and tighten Fix screw strainer ② with a coin or suitable screwdriver. Do not over tighten - handtight plus 1/4 turn should be sufficient.
7. Insert Hand wheel assy. ⑭ (with Retainer ring ⑬) into the central hole of Fix nut ⑫ until a "click" .
8. Adjust Plug assy. ① by twisting Hand wheel assy. ⑭ to the up position and then fix plug height by use of Adjusting screw and use Nut to fix the screw
9. Secure 750mm Flex Pipe assy. ⑮ by tightening Compression Nut against Compression seal
10. Set Drain pipe ⑧, put on Drain pipe nut ⑦, and then tighten Washer ⑥.
11. Put on Coupling ⑨ and apply silicone, then insert it into the floor drain.
12. Fasten an end of Hose ⑯ to the Overflow assy. ⑥ .

Check if the pop-up mechanism is operating correctly.

Note: If the Plug assy. ① can not be pulled to the desired height, please adjust the Control cable assy. ⑤a to see if it is twisted. Proceed with bath installation only after you've ensured that the drain functions normally.

打开排水包装，确保控制线组件 ⑤a 没有扭曲打结。

请将浴缸放置在木架或砖墙上，以保证排水配件能在浴缸底下安装。

1. 将橡胶密封圈 ④ 装入浴缸去水孔，并在密封处打上硅胶。
2. 从浴缸的上方将法兰盘 ③ 装入橡胶密封圈 ④。
3. 用紧固螺栓 ② 固定法兰盘 ④ 和排水座组件 ⑤，注意此时不要将螺栓旋得太紧。
4. 从浴缸的外面在溢水孔处涂一圈密封硅胶。
5. 将溢水头组件 ⑥ (已装好密封垫片 ⑩) 放到浴缸溢水口的背面，并确保它处于孔的中间位置。从浴缸里面将出水嘴组件 ⑪ 插入溢水头组件的中心出水孔内，然后用压紧螺母 ⑫ 固定，在拧紧前请确保控制线组件 ⑤a 没有扭曲打结，控制线组件打结或扭曲会造成提拉式去水工作失灵。
6. 将法兰盘 ③ 和排水座组件 ⑤ 置中排列并排成一线后用硬币或一字螺丝刀固定紧固螺栓 ② 不要过分拧紧，用手拧紧后再拧紧至合适松紧。
7. 将手轮组件 ⑭ (之前将塑料卡圈 ⑬ 旋到手轮组件 ⑭ 上) 从压紧螺母 ⑫ 中心孔处插入，听到“咔”声，即安装到位。
8. 旋转手轮组件 ⑭ 来调节塞子组件 ① 到放水位置，然后使用塞子组件上的调节螺丝调节塞子排水高度，并用上面的螺母固定。
9. 旋紧 750mm 波纹管组件 ⑮ 一端的压紧螺母，来调节和固定波纹管。
10. 安装去水尾管 ⑧，套上压紧螺母 ⑦，并垫上平垫片 ⑥ 旋紧。
11. 在去水尾管 ⑧ 上套上密封接口 ⑨，在插入地漏前打上密封硅胶。
12. 将进水管 ⑯ 的一端连接到溢水头组件 ⑥ 的进水口上。

转动手轮 ⑭，检查提拉式排水正常工作。

注意：如果塞子组件 ① 不能提拉到工作高度的话，需要检查控制线组件 ⑤a 是否扭曲打结。在您检查并确认浴缸排水工作正常后，才可进行浴缸的下部安装。

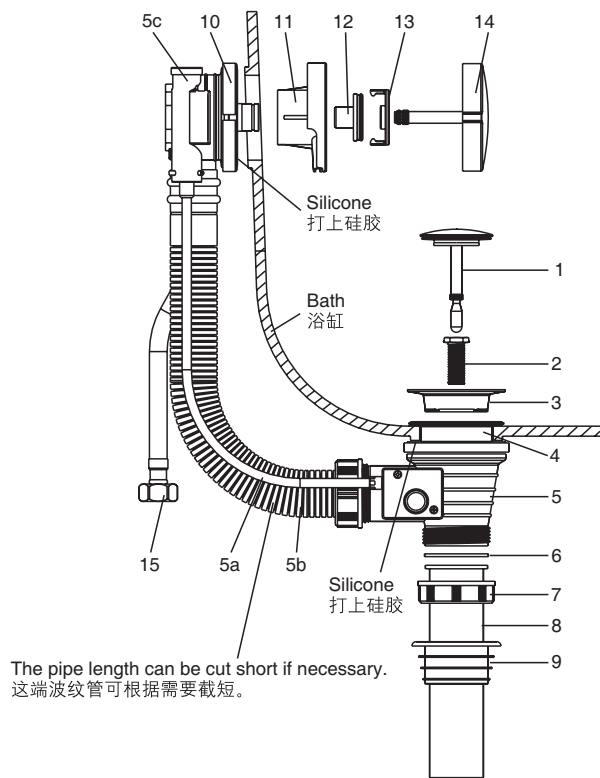


Fig.#3
图3

Fasten the hose to the water outlet of the faucet

连接进水管另一端到龙头出水口

Option1: Fasten the hose to the water outlet of the faucet 72681T-ZX-CP

方案1: 连接进水管到科勒艾丽维 72681T-ZX-CP龙头

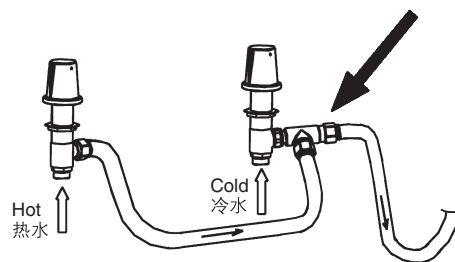


Fig.#4
图4

Option2: Fasten the hose to the water outlet of the faucet 72681T-ZY-CP

方案2: 连接进水管到科勒艾丽维 72681T-ZY-CP龙头

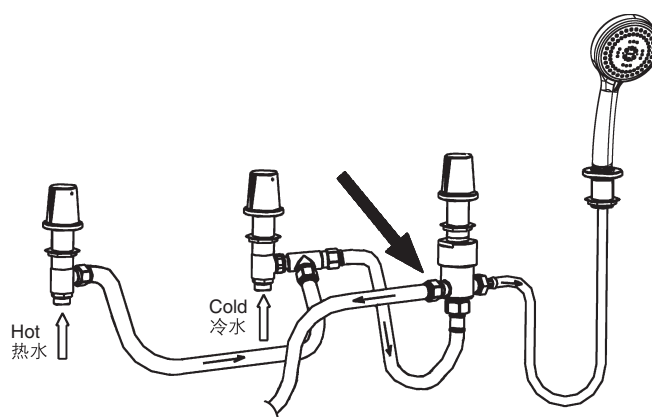


Fig.#5
图5

Option3: Fasten the hose to the water outlet of the faucet 14675T-ZS-CP

方案3: 连接进水管到科勒萝瑞 14675T-ZS-CP龙头

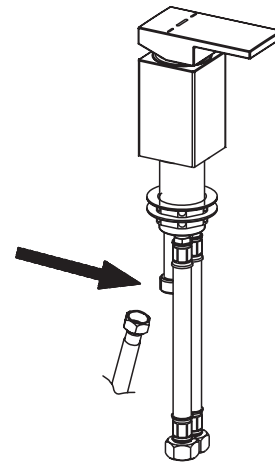


Fig.#6
图6

Option4: Fasten the hose to the water outlet of the faucet according to the user guide of the faucet.

方案4: 如安装其他龙头, 请将进水管接到龙头的出水口, 参见龙头说明书。

MAINTENANCE

- Pull out the Plug assy.① to clean the hair on the strainer ③.
- The accessories should be washed with warm water and a soft cloth or sponge. Do not use abrasive cleaners or cleaners containing bleach.

产品维护

- 将塞子组件①拔出, 即可清理法兰盘③上的毛发。
- 为了更好地保养本品, 请您用温水和软毛巾(或海绵)擦拭, 含有腐蚀剂或漂白剂的洗洁剂对本品有害。