

## BEFORE YOU BEGIN

- Please read these instructions carefully to familiarize yourself with the required tools, materials, and installation sequences. Follow the sections that pertain to your particular installation. This will help you avoid costly mistakes. In addition to proper installation, read all operating and safety instructions
- All information is based on the latest product information available at the time of publication. Kohler China Ltd. reserves the right to make changes in product characteristics, packaging, or availability at any time without notice.

## 安装之前

- 请仔细阅读此说明书以熟悉所需要的工具、材料及安装顺序。遵循适合您的特定安装要求的各项内容，避免昂贵的损失。除了要正确安装外，还应阅读操作及安全说明。
- 所有的资料是按最新出版的产品资料编写而成。科勒中国有限公司保留任何时候无须通知即可改变产品特性、包装或产品可供类型的权利。

## NOTES

- Observe all local plumbing and plumbing codes.
- Inspect waste and supply tubing; replace if necessary.
- The drain has removable parts.
- Drain "T" is reversible for vertical or horizontal drainage.
- Do not use sharp and hard objects when taking out the drain plug to avoid scratching it.

## 注意事项

- 遵守所有本地的水管安装及施工规程。
- 检查污水及供水管道。如有必要，即予更换。
- 下水装置具有可拆卸式零件。
- “T”型下水可用于垂直或水平式排水。
- 在拔取落水塞的时候，注意不要使用硬物，避免划伤。

## Tools Required

- Assorted screwdrivers
- Adjustable or open end wrench
- Pipe wrenches
- Pliers
- Manual hacksaw
- Long flat nose pliers

## 所需工具

- 各种类型的螺丝刀
- 活络扳手或开口扳手
- 管子钳
- 老虎钳
- 手动钢锯
- 尖嘴钳

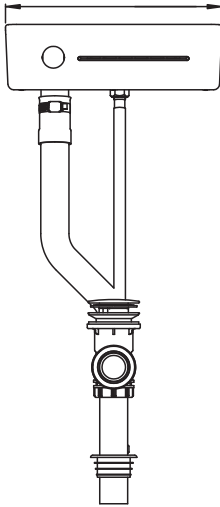
# ROUGHING-IN

# 尺寸图

Reference Value  
参考值

UNIT: mm  
单位: 毫米

294 For K-18669T/适用于K-18669T  
263 For K-20609T/适用于K-20609T



91 For K-18669T/适用于K-18669T  
71 For K-20609T/适用于K-20609T

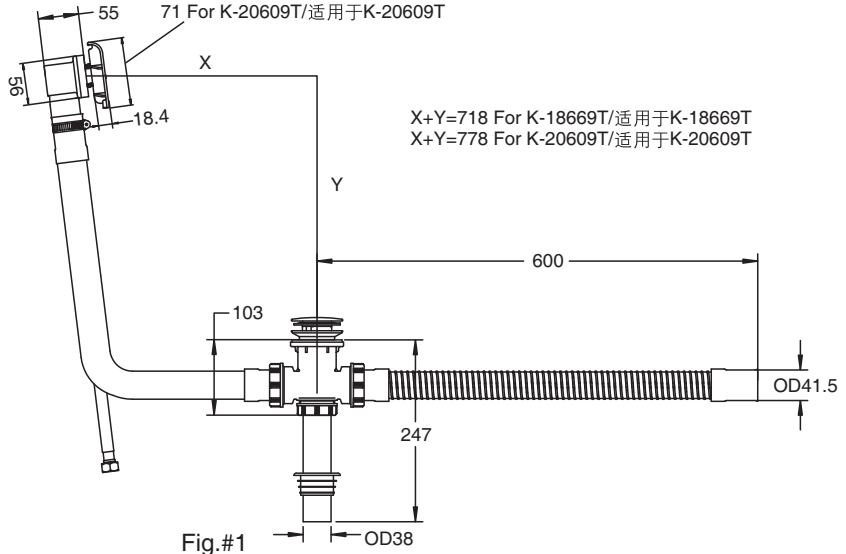


Fig.#1  
图1

Kohler reserves the right to change marked dimensions without prior notice.  
科勒公司保留随时变更图中标示尺寸的权利，无需另行通知。

## INSTALLATION PREPARATIONS

## 安装准备

Un-Assemble the spout from the overflow base.

从溢水座上将出水嘴拆下。

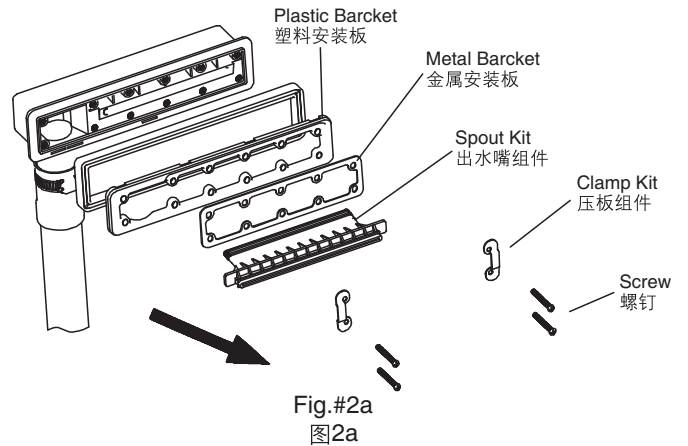


Fig.#2a  
图2a

**Important: The spout is fit tightly with the overflow base. Use the straight screw driver to pry the spout out slightly.**

注意：出水嘴与溢水座配合很紧，可以拆掉两侧压板后，用一字螺丝刀轻轻将出水嘴撬出。

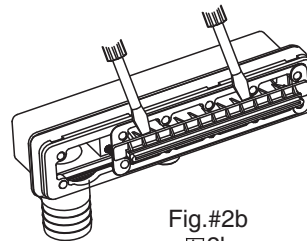


Fig.#2b  
图2b

Fasten the hose to the water inlet of the overflow base.

连接进水管到排水座进水口。

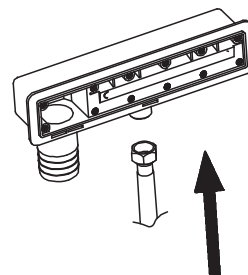


Fig.#3  
图3

Assemble the overflow pipe, drain body and drain pipe together.

连接溢水管、排水座和排水管。

For vertical drainage installations: Assemble parts as shown. Align the parts with the drain base. Align and tighten the nuts.

垂直排水方式的安装：如图所示安装各零件。将各部位对准排水座四通，将管子插进四通，并拧紧螺母。

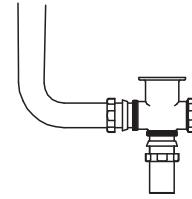


Fig.#4  
图4

For horizontal drainage installations: Assemble parts as shown. Align the parts with the drain base. Align and tighten the nuts.

水平排水方式的安装：如图所示安装各零件。将各部位对准排水座四通，将管子插进四通，并拧紧螺母。

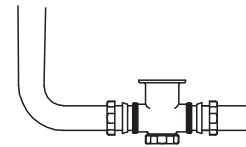


Fig.#5  
图5

## INSTALLATION

## 安装

Insert strainer into the gasket, position plain gasket between the drain ell and the bottom of the bath. Turn the strainer into the drain ell.

将碗形垫圈套在过滤网上，同时将平垫圈放在下水弯头与浴缸底部之间。将过滤网拧入下水弯头内。

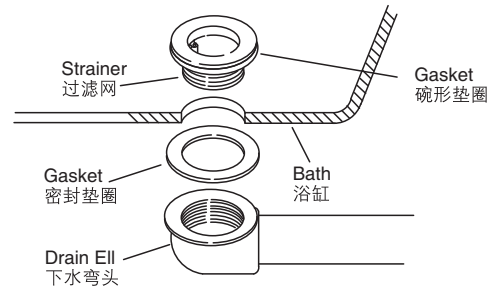


Fig.#6  
图6

Wrap the plier head with adhesive tape and then insert it into the top of the strainer to tighten the drain ell securely, as shown. Make sure the drain ell tube is facing the front of the bath. Then apply silicone sealant around the strainer.

将钳子的尖部缠上胶带，插入过滤网的顶部，拧紧下水弯头，如图所示。确保下水弯头管正对着浴缸的前端。然后在水漏外围四周打上密封硅胶。

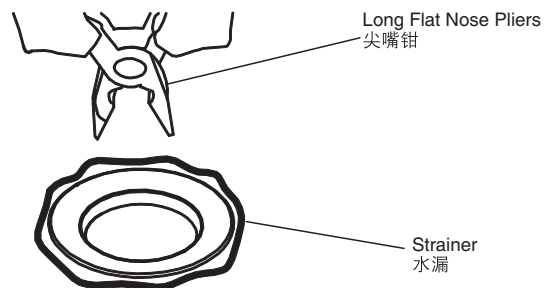


Fig.#7  
图7

Attach the gasket to the overflow ell, as shown. Apply silicon sealant.

将密封垫圈套在溢流弯头上，如图所示。并打上硅胶。

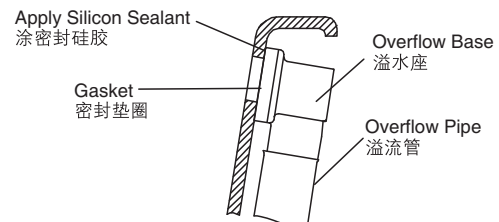


Fig.#8  
图8

Assemble the plastic/metal bracket back to the overflow base from the inside of bath tub as shown.

从浴缸内侧，用图示螺钉将塑料安装板和金属安装板装回到溢水座上。

**Important: The arc edge of the plastic bracket should not lower than the lower edge of overflow hole, otherwise the button could not function well.**

注意：塑料安装支架的圆弧形边缘一定不能低于溢水孔下沿，否则按钮将无法按到位置。

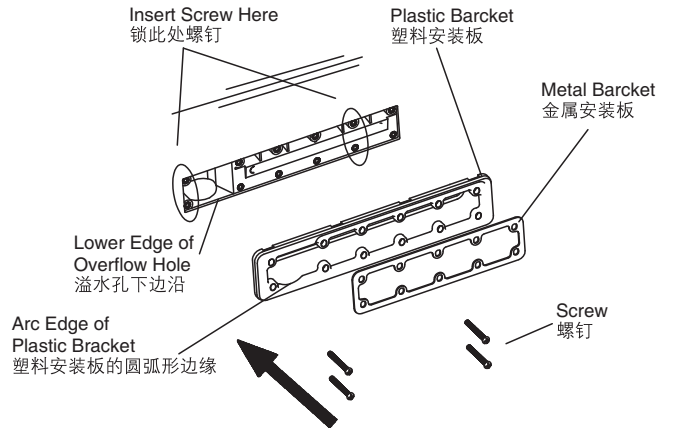


Fig.#9  
图9

Insert the spout into the overflow body, fasten the clamp with screw as shown.

将出水嘴塞进溢水座中，用螺丝和压板将出水嘴固定到溢水座。

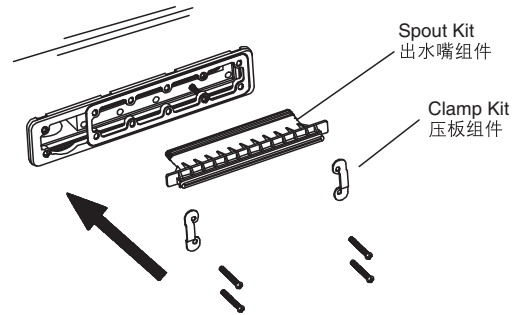


Fig.#10  
图10

Fasten all the screws.

拧紧所有螺丝。

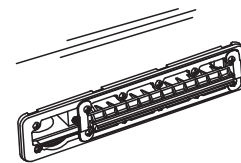


Fig.#11  
图11

Fasten the control wire kit to the overflow cover kit, by a nut.

用控制线组件的螺母，将控制线组件固定到溢水面板上。

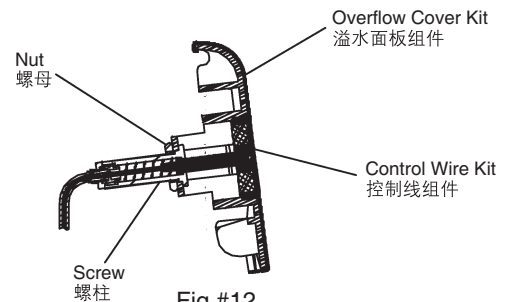


Fig.#12  
图12

Insert the control wire into the overflow hole.

将控制线尾部从溢水孔插入。

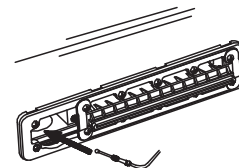


Fig.#13  
图13

After insert all the control wire, push the push-button base in to the base until a "Click?".

待控制线完全插入后，将溢水面板按到塑料安装板上，直至听到“咔”声，即安装到位。

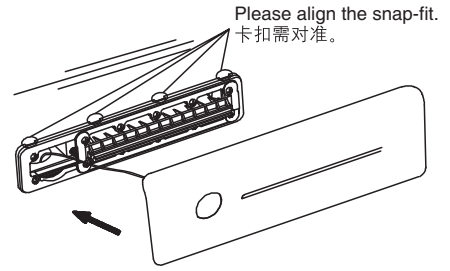


Fig.#14  
图14

Pull the tail of control wire from the drain hole.

从排水孔处将控制线尾端拽出。

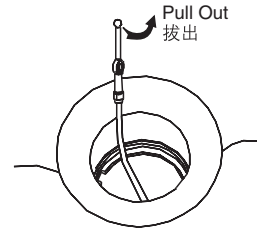


Fig.#15  
图15

Remove the rubber cover from the wire as shown, then fasten the control wire with the trigger kit.

拿掉控制线尾端的橡胶保护套，并将控制线旋到开关组件上。



Fig.#16  
图16

Fasten the trigger kit on the strainer.

将开关组件拧紧到水漏上。

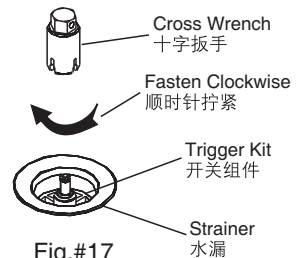


Fig.#17  
图17

Push the button on overflow, so the ejector pin of the trigger kit on high position, then push the plug on the trigger kit until a "click".

按动溢水处按钮，使开关组件顶杆处于高位，将止水塞按下，“咔”声后即可。

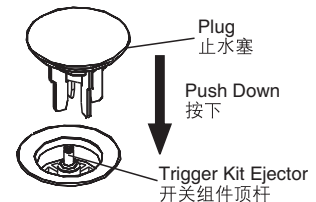


Fig.#18  
图18

将密封套装到排水管尾部，并打上密封硅胶，然后将排水管套入地面排水管中，压紧密封套。

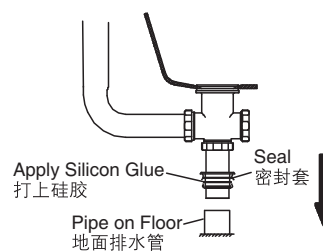


Fig.#19  
图19

Fasten the hose to the water outlet of the faucet

连接进水管另一端到龙头出水口

Option1: Fasten the hose to the water outlet of the faucet 72681T-ZX-CP

方案1: 连接进水管到科勒艾丽维 72681T-ZX-CP龙头

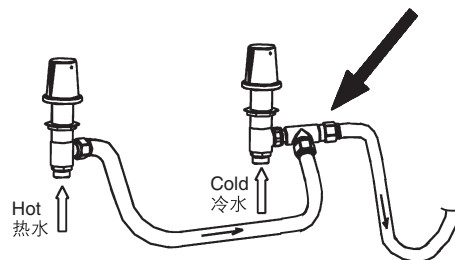


Fig.#20  
图20

Option2: Fasten the hose to the water outlet of the faucet 72681T-ZY-CP

方案2: 连接进水管到科勒艾丽维 72681T-ZY-CP龙头

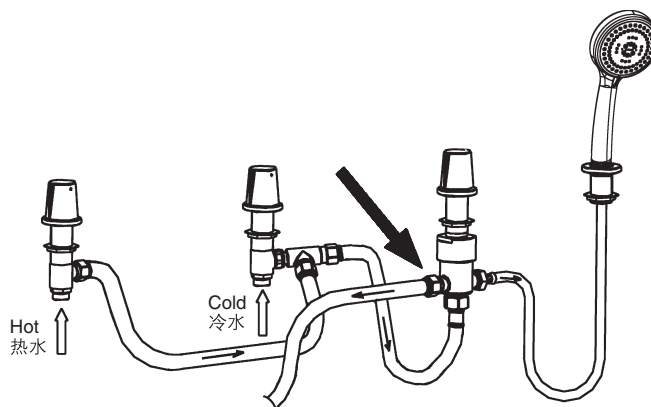


Fig.#21  
图21

Option3: Fasten the hose to the water outlet of the faucet 14675T-ZS-CP

方案3: 连接进水管到科勒萝瑞 14675T-ZS-CP龙头

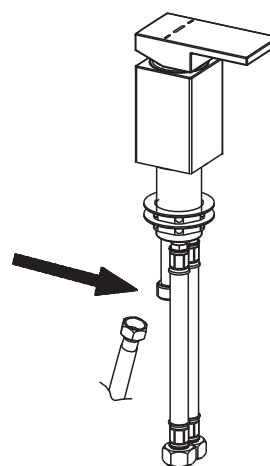


Fig.#22  
图22

Option4: Fasten the hose to the water outlet of the faucet according to the user guide of the faucet.

方案4: 如安装其他龙头，请将进水管接到龙头的出水口，参见龙头说明书。

**Attention:**

After install, push the button repeatedly, make sure the plug could open and close normally. Run water into the bath, check the drain connections for leaks.

**注意:**

以上安装步骤完成后，反复按压溢水处按钮，确认止水塞能正常开闭。注水入浴缸，检查排水配件处是否有渗漏。

**MAINTENANCE**

- Pull off the plug, unscrew the trigger kit, pull the control wire out to clean the hair on the wire.
- The accessories should be washed with warm water and a soft cloth or sponge. Do not use abrasive cleaners or cleaners containing bleach.

**产品维护**

- 将止水塞拔出，旋出开关组件，抽出控制线即可清理控制线上的毛发。
- 为了更好地保养本品，请您用温水和软毛巾（或海绵）擦拭，含有腐蚀剂或漂白剂的洗洁剂对本品有害。

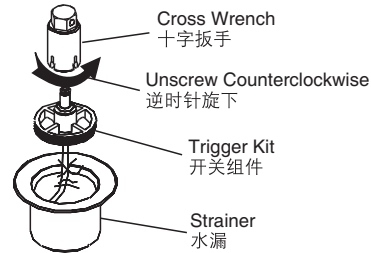
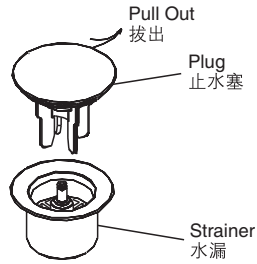


Fig.#23  
图23