

BEFORE YOU BEGIN

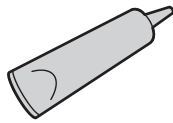
- Thank you. You have just purchased the best bath drain your money can buy. Kohler drains work smoothly and reliably, and keep their gleaming finishes. For easy installation, follow these step-by-step instructions.
- Carefully read these instructions before you attempt to remove your old drain or install your new one. Make sure you have the proper tools and materials listed on the following page to complete the job. This will help you avoid unnecessary expense resulting from improper installation.
- Your new Kohler drain has been designed for easy installation using common household tools.

安装之前

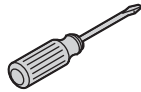
- 感谢您购买品质卓越的浴缸排水。科勒排水工作通畅、可靠，光洁持久。请遵循以下安装步骤，完成便捷安装。
- 在拆除旧排水准备安装新排水时请仔细阅读以下说明。请使用以下列出的工具和材料完成安装，以免安装失误造成不必要的损失。
- 只要使用普通家用工具即可安装科勒浴缸排水。

Tools Required

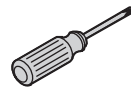
所需工具



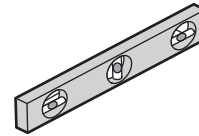
Sealant
硅胶



Blade Screwdriver
一字螺丝刀



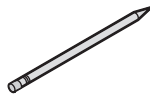
Phillips Screwdriver
十字螺丝刀



Square
水平尺



Pliers
老虎钳



Pencil
铅笔



Tape Measure
卷尺



Safety Glasses
防护眼镜

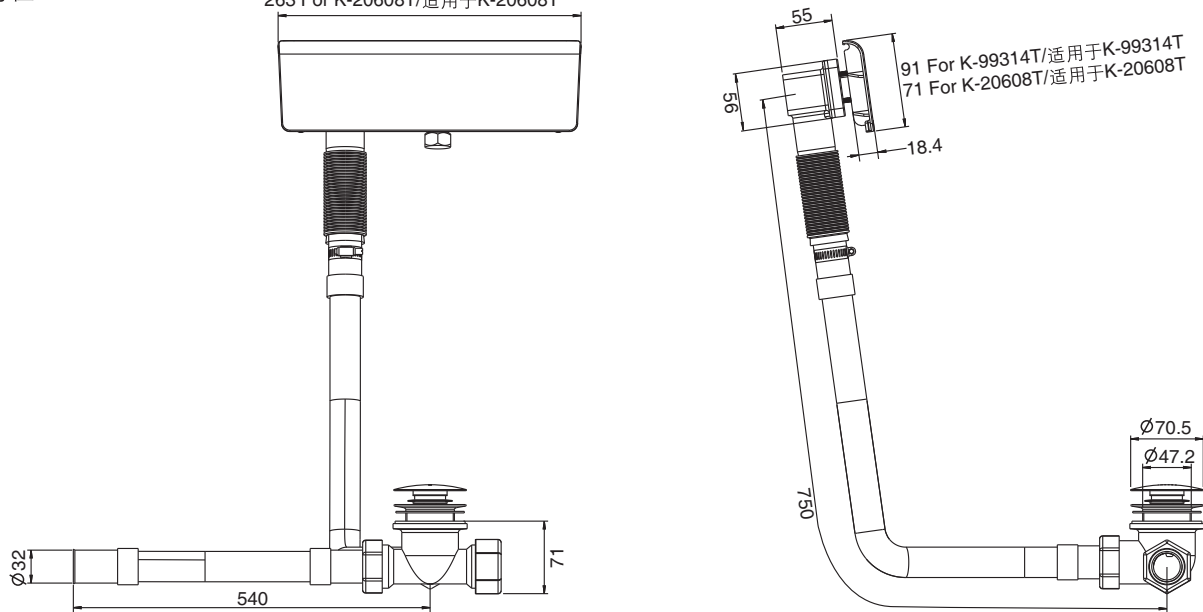
ROUGHING-IN

尺寸图

Reference Value
参考值

294 For K-99314T/适用于K-99314T
263 For K-20608T/适用于K-20608T

UNIT: mm
单位: 毫米

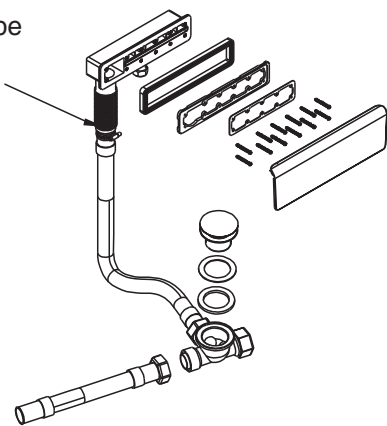


Kohler reserves the right to change marked dimensions without prior notice.
科勒公司保留随时变更图中标示尺寸的权利, 无需另行通知。

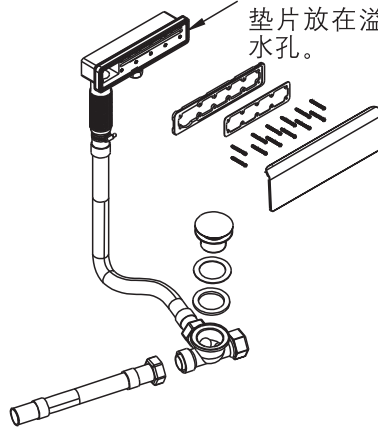
INSTALLATION

安装

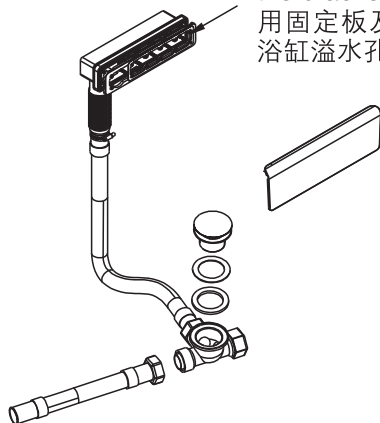
1. Screw the overflow pipe on the overflow body.
波纹管旋入溢水头。



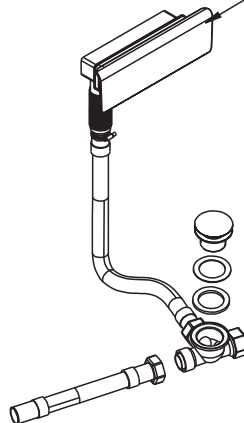
2. Put the seal on the back side of the overflow hole.
垫片放在溢水头上对准浴缸背面溢水孔。



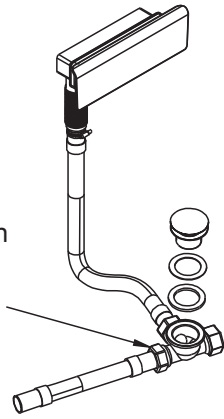
3. Tighten the overflow body and the bracket with screw.
用固定板及螺钉将溢水头固定在浴缸溢水孔上。



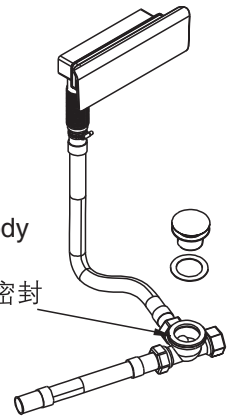
4. Clasp the overflow cover on the bracket.
扣上面板。



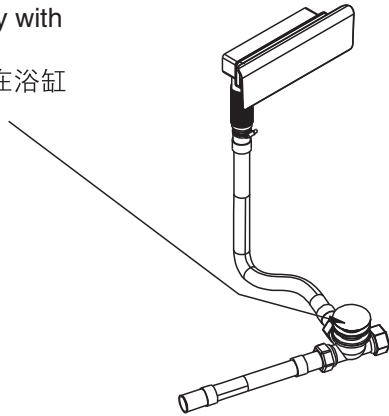
5. Tighten the pipe to the drain body with the nut.
波纹管螺母旋入排水座。



6. Put the washer on the drain body and under the drain hole.
垫片放在排水座上对准浴缸下密封口。



7. Fasten the drain body with the strainer.
用水漏将排水座固定在浴缸上。



8. Close the drain plug and fill the bathtub to overflow. After five minutes, shut off the filler and check the leak on overflow pipe. Open the drain plug, and drain off the water in the tub. Check the leak on the drain pipe. You could start to use the drain if there is no leak.

关闭止水塞，将浴缸注水至溢水状态，保持5分钟，检查溢水座处是否有渗漏。打开止水塞，排尽浴缸内的水，检查排水座处是否有渗漏。若浴缸去水各处无渗漏，即可正常使用。

CARE AND CLEANING

For best results, keep the following in mind when caring for your KOHLER product:

- Use a mild detergent such as liquid dishwashing soap and warm water for cleaning. Do not use abrasive cleaners that may scratch or dull the surface.
- Carefully read the cleaner product label to ensure the cleaner is safe for use on the material.
- Always test your cleaning solution on an inconspicuous area before applying to the entire surface.
- Do not allow cleaners to sit or soak on the surface.
- Wipe surfaces clean and rinse completely with water immediately after cleaner application. Rinse and dry any overspray that lands on nearby surfaces.
- Use a soft, dampened sponge or cloth. Never use an abrasive material such as a brush or scouring pad to clean surfaces.

护理和清洁

为了长久使用，请在护理您的科勒产品时注意以下几点：

- 使用中性清洁剂，例如液体洗洁精和温水进行清洗。请不要使用研磨清洁剂，以免刮划或使表面变钝。
- 请仔细阅读清洁剂说明以确认其更够在产品上安全使用。
- 在大面积使用清洁剂之前，请务必先在不显眼处先试验清洁方式。
- 请不要将产品表面浸泡在清洁剂中。
- 使用清洁剂后，请立即擦拭并用水彻底清洗。清洗并擦干溢溅在周围表面的清洁剂。
- 使用柔软湿润的海面或清洁布，请勿使用研磨材质，例如刷子和百洁布来清洁表面。