

210T 入墙式单把面盆龙头

安装之前

所有的资料是按最新出版的产品资料编写而成。科勒公司保留任何时候不经通知即可改变产品特性、包装或产品可供类型的权利。

说明书包括重要的安装、保养及清洁方面的内容,请把这些资料交给用户阅读。

注意事项:

1. 一定要先彻底冲洗供水管以清除管道中的杂质。
2. 检查供水管有无损坏。如需要,进行替换。
3. 遵守当地管路安装条例。
4. 埋墙前测试安装连接部位是否有渗漏,根据需要修理之。
5. 本体进水螺纹为 Rc1/2"。

BEFORE YOU BEGIN

All information is based on the latest product information available at the time of publication. Kohler Co. reserves the right to make changes in product characteristics, packaging, or availability at any time without notice.

Please leave these instructions for the consumer. They contain important information.

NOTES:

1. Flush the water supply pipes thoroughly to remove debris.
2. Inspect the supply tubing for damage. Replace as necessary.
3. Observe local plumbing codes.
4. Check for leaks before covering the pipes, repairs as needed.
5. Inlet threads of body are Rc1/2".

使用说明

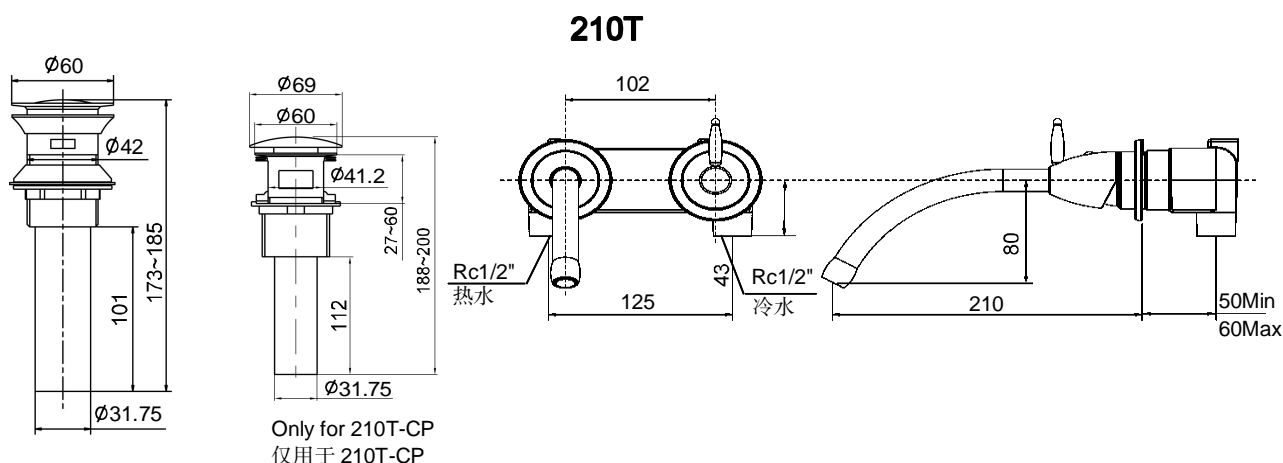
将手柄轻轻开启,向左转为热水,右转为冷水。

HANDLE OPERATION

Pull down the handle gently. Turn left for hot water, right for cold water.

安装尺寸

ROUGH-IN DIMENSIONS



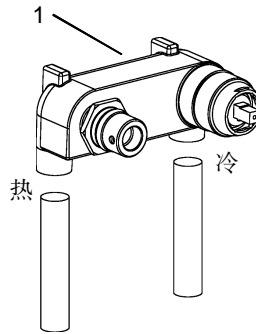
安装说明

如何安装本体

选定本体(1)在墙上的位置,在墙上开一合适的孔。

按右图将冷热供水管接到本体上,热水管接到出水口端,冷水管接到阀体端。

安装过程中,为了保护阀体和出水口,防护罩需保留。



INSTALLATION

How To Install The Faucet

Determine where the body(1) will be located on the wall. Make a suitable hole in the wall.

Connect hot and cold supplies to the body as shown. Connect hot supply to the outlet end, cold supply to the valve end.

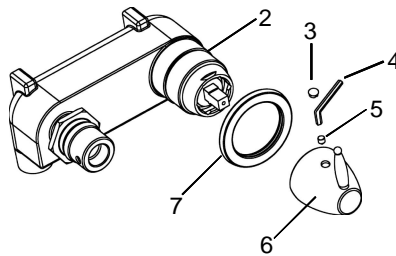
During installation keep the guard on the valve and the outlet.

如何安装把手

墙装修好后,拿掉防护罩。

将装饰环(7)套到阀体组件(2)上,直到贴紧墙面。

将把手组件(6)装到阀体组件(2)上,用六角扳手(4)旋紧固定螺钉(5),塞上塞扣(3)。保持塞扣上的标志左红右蓝。



How To Install The Handle

Remove the plastic guard after the wall is finished.

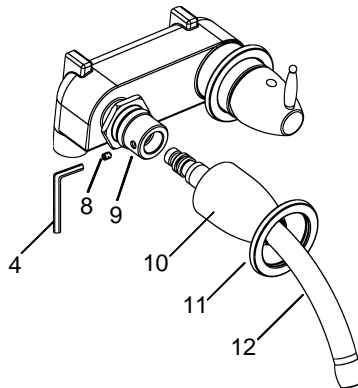
Fit the escutcheon(7) onto the valve kit(2) till it is against the wall. Fit the handle kit (6) onto the valve kit(2) .

Use hex wrench(4) to thread the setscrew (5) very tight and press plug(3) button in place. Keep the red mark of the button on the left.

如何安装出水口

取下临时防护罩。

将帽盖(10)从螺纹端套入出水口组件(12)直到螺纹段全部露出。将组件旋入本体出水口部位(9),调整出水口位置(旋紧后,反方向松开不超过一圈),使出水口正对下方。用六角扳手(4)旋紧侧固螺钉(8),将帽盖推到墙里靠紧出水口。将装饰盖(11)从出水口处套入帽盖贴紧墙面。



How To Install The Spout

Remove the plastic guard.

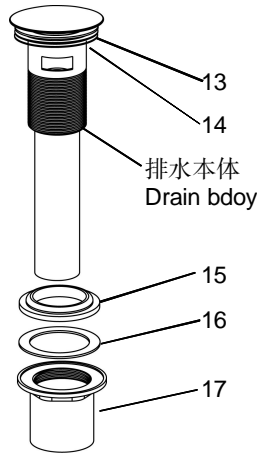
Fit the bonnet(10) on the spout kit(12) from the thread end until the thread all exposes outside. Thread the spout kit to the outlet(9) of the body. Adjust the position of the spout, loosening the spout not more than one ring of screw after tightening, to make it in position as shown. Screw and tighten the sidescrew(8) with the hex wrench(4). Push the Bonnet into the proper position on the wall. Slip the escutcheon(11) through the spout and bonnet until against the wall.

如何安装排水器

将锁紧螺母(17)、塑料垫片(16)、橡胶垫圈(15)从排水本体上取下。把排水本体从面盆上部孔插入。再依次将橡胶垫圈(小面朝上)、塑料垫片和锁紧螺母从排水本体底部装入。锁紧螺母。

注意: 如果需要,可直接在排水器法兰(13)底面沿周围涂一圈密封油灰或其它密封剂,而不使用橡胶垫片(14)。

在锁紧螺母拧紧后,不可调整排水本体的位置,否则会破坏油灰或密封剂密封。去除多余的油灰。



How To Install The Drain

Remove the locknut(17), plastic washer(16), rubber gasket(15) from the drain body. Insert the drain body into the lavatory. Reinstall the rubber gasket (Tapered side up), plastic washer and locknut back to the drain body in turn. Tighten the locknut.

Note: If needed, apply a ring of plumbers putty or other sealants around the underside of the drain flange(13), instead of using rubber washer (14).

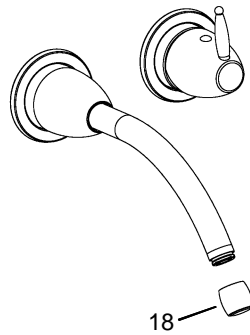
Do not reposition the drain after the locknut is tightened, or you may break the putty or sealant seal. Remove any excess putty.

安装后检查

检查并确保所有的衔接螺母都已拧紧。确保把手在“关”的位置。

打开排水器和主要供水源,检查并修理有漏水的接口。

将起泡器(18)卸下,打开水龙头的冷热水,让水流出约一分钟以清除杂质,检查渗漏。冲洗起泡器。关闭水龙头后,重新装回起泡器。



INSTALLATION CHECKOUT

Ensure all coupling nuts are tight. Ensure that handles are in the off position.

Turn on main water supply and check for leaks. Repair as required.

Remove aerator assembly(18). Turn faucet handles on and run hot and cold water through spout for about a minute to remove any debris. Check for leaks at this time. Remove any debris from aerator assembly.

Shut the faucet off and reinstall aerator assembly.

清理说明

适用于所有加工处理过的表面:
以中性肥皂水清洗镀层表面,再以干净的软布彻底擦干整个表面。许多清洁剂,比如氨水、去污粉及洁厕灵等,会对电镀表面造成伤害,切忌使用。

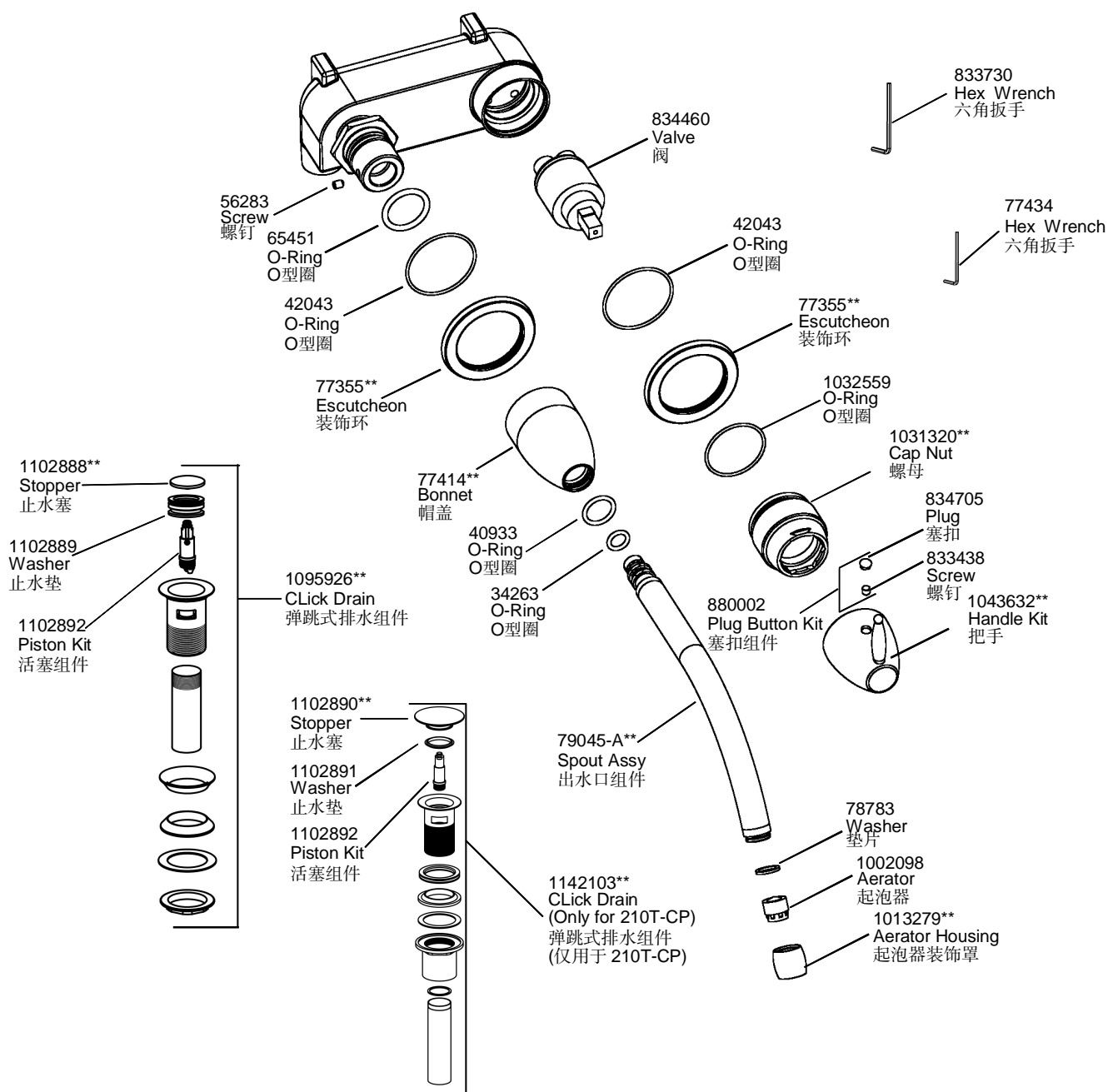
有磨损性的清洁用具或清洁剂也不可适用于科勒牌的水龙头及其配件上。

CLEANING INSTRUCTIONS

All Finishes: Clean the finish with mild soap and warm water. Wipe entire surface completely dry with clean soft cloth. Many cleaners may contain chemicals, such as ammonia, chlorine, toilet cleaner etc, which could adversely affect the finish and are not recommended for cleaning.

Do not use abrasive cleaners or solvents on Kohler faucets and fittings.

210T 入墙式单把面盆龙头



**订购时请说明颜色编号

**Color code must be specified when ordering