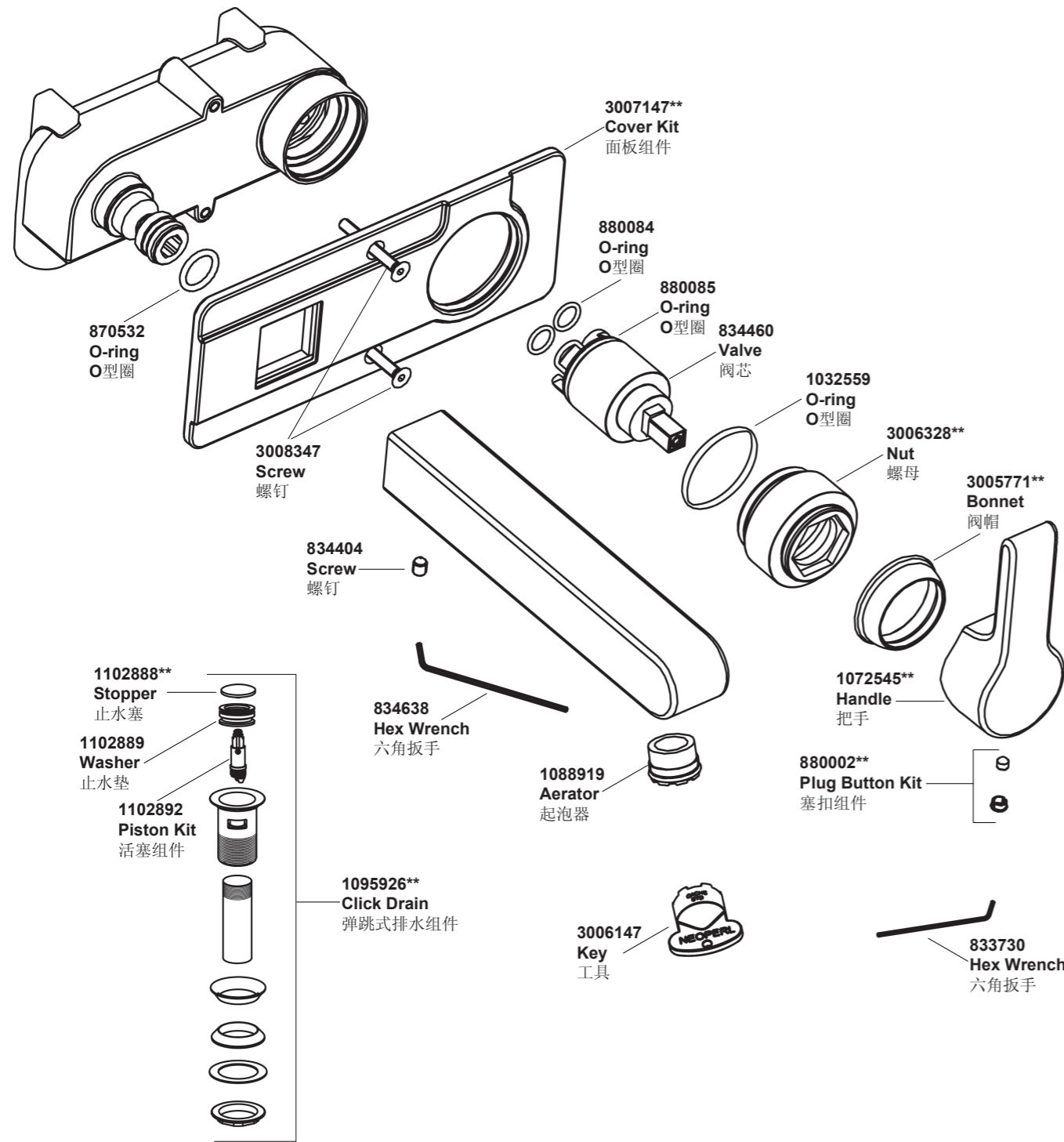


10863T-4 入墙式单把面盆龙头



\*\*订购时请说明颜色编号

\*\*Color code must be specified when ordering

10863T-4 入墙式单把面盆龙头

安装之前

所有的资料是按最新出版的产品资料编写而成。科勒公司保留任何时候不经通知即可改变产品特性、包装或产品可供类型的权利。

说明书包括重要的安装、保养及清洁方面的内容，请把这些资料交给用户阅读。

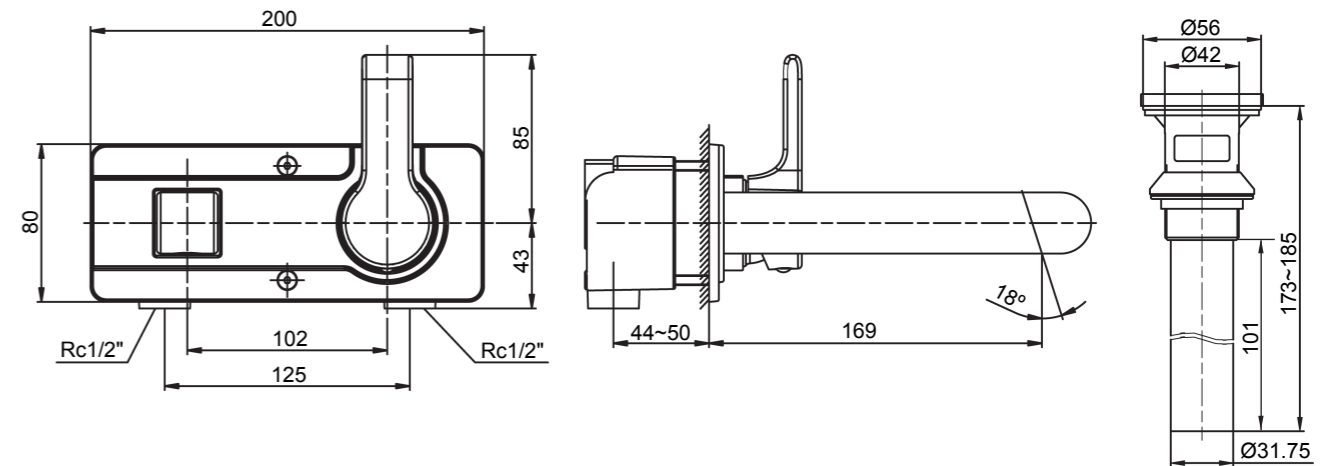
注意事项：

- 1.一定要先彻底冲洗供水管以清除管道中的杂质。
- 2.检查供水管有无损坏。如需要，进行替换。
- 3.遵守当地管路安装条例。
- 4.埋墙前测试安装连接部位是否有渗漏，根据需要修理之。
- 5.本体进水螺纹为Rc1/2"。
- 6.本产品只接受水压测试，并且测试前需先排空管路与龙头之间的空气。测试水压不超过0.8Mpa(8bar)，时间不超过30分钟。

使用说明

将手柄轻轻开启，向左转为热水，向右转为冷水。

安装尺寸



BEFORE YOU BEGIN

All information is based on the latest product information available at the time of publication. Kohler Co. reserves the right to make changes in product characteristics, packaging, or availability at any time without notice.

Please leave these instructions for the consumer. They contain important information.

NOTES:

1. Flush the water supply pipes thoroughly to remove debris.
2. Inspect the supply tubing for damage. Replace as necessary.
3. Observe local plumbing codes.
4. Check for leaks before covering the pipes, repairs as needed.
5. Inlet threads of body are Rc1/2".
6. Please ensure only apply water pressure test on the product, and empty the air in pipe and faucet thoroughly before the test. Please ensure test pressure below 0.8MPa (8 bar) and test duration within 30 minutes.

HANDLE OPERATION

Pull down the handle gently, turn left for hot water, right for cold water.

ROUGH-IN DIMENSIONS

## 安装步骤

### 如何安装本体

选择合适的高度安装阀体(1)。确保保护套朝前, 阀体进水管上的红色标记朝左。

如Fig.1所示, 装修好的外墙面应处于保护套(2)上的MAX与MIN标记之间。装修好的墙面孔如Fig.2所示。

**注意:** 安装时保证阀轴线方向与墙面垂直, 阀体上平面水平。

将Rc1/2"冷热供水管按Fig.1接到阀体上。热水管接左侧(带有红色标记)。

安装过程中, 为了保护阀体, 保护罩留在阀体上。

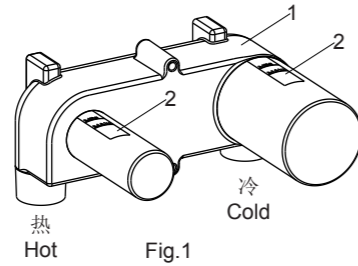


Fig.1

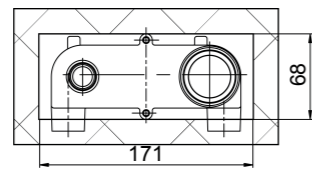


Fig.2

## INSTALLATION

### How To Install The Body

Determine where the valve body(1) will be located on the wall. Be sure the protectors(2) face front and inlet of the valve body with red mark is on the left.

The out surface of the finished wall should be between the MAX and MIN marks on the protectors(2) as Fig.1 shown. The size of opening in finished wall is as Fig.2 shown.

**NOTE:** Ensure the centerline of valve is perpendicular to the wall, the up plane of valve body is level.

Connect Rc1/2" hot and cold supplies to the body as Fig.1 shown. Connect hot supply to the left with red mark.

During installation, the protectors remain on the valve body.

### How To Install The Handle And Spout

Remove the protectors after the wall is finished.

Loosen the screw(4) on the spout(6) with 3mm hex wrench(5) to avoid damaging the O-ring on connector(3). Slip the spout onto the connector with its outlet downwards. Slip the cover kit(12) through the spout and bonnet(13) until it is against the wall. If it is difficult to install the cover kit, loosen the screw to adjust the spout as needed. Tighten the screw to secure the spout. Thread screws(11) to secure the cover kit.

Install handle(10) onto valve body with it upwards and valve closed. Tighten the setscrew(7) with 2.5mm hex wrench(8). Press the plug button(9) into the hole.

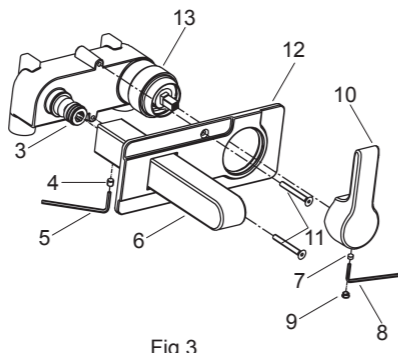


Fig.3

### 如何安装把手和出水口

墙装修好后, 拿掉防护罩。

如Fig.3所示, 用3mm六角扳手(5)旋松出水口(6)的固定螺钉(4), 防止划伤接头(3)O型圈。将出水口朝下安装到接头上。旋紧固定螺钉。将面板组件(12)套入出水口和阀帽(13)并紧贴墙面。若面板组件装入困难, 旋松固定螺钉, 根据需要调整出水口。锁紧螺钉以固定出水口。旋入螺钉(11)以固定面板组件。

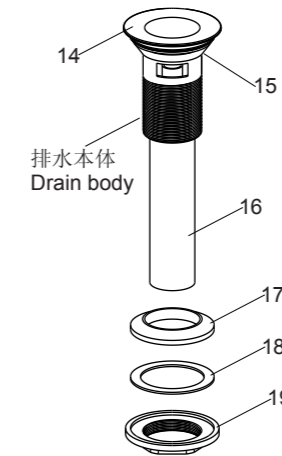
关闭阀芯, 将把手(10)朝上安装到阀体上, 用2.5mm六角扳手(8)锁紧固定螺钉(7), 塞上塞扣(9)。

## 如何安装排水器

把锁紧螺母(19)、塑料垫片(18)、橡胶垫圈(17)和尾管(16)从排水本体上依次取下。在尾管螺纹处须缠绕足以密封的密封胶带或涂合适的密封胶, 装回排水本体。把排水本体从面盆上部孔插入。依次将橡胶垫圈(小面朝上)、塑料垫片和锁紧螺母从排水本体底部装入。锁紧螺母。

**注意:** 如果需要, 可直接在排水器盘片(14)底面沿周围涂一圈密封油灰或其它密封剂, 而不使用橡胶垫片(15)。

在锁紧螺母拧紧后, 不可调整排水本体的位置, 否则会破坏油灰或密封胶密封。

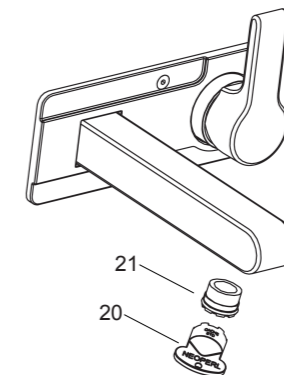


## 安装结果检查

检查并确保所有的衔接螺母都已拧紧, 确保把手在关的位置。

打开排水器和主要供水源, 检查并修理有漏水的接口。

用附带工具(20)拆下起泡器(21), 打开主供水源, 检查渗漏。打开冷热水阀, 让水流过出水口, 清除杂质, 冲洗起泡器组件, 关闭阀, 重新装回起泡器。



## 清洗说明

适用于所有加工处理过的表面: 以中性肥皂水清洗镀层表面, 再以干净的软布彻底擦干整个表面, 许多清洁剂, 比如氨水、去污粉及洁厕灵等, 会对电镀表面造成伤害, 切忌使用。

有磨损性的清洁用具或清洁剂也不可适用于科勒牌的水龙头及其配件上。

## How To Install The Drain

Remove the locknut(19), plastic washer(18), rubber gasket(17) and tailpiece(16) from the drain body. Supply enough tape or sealant to tailpiece thread. Reinstall the tailpiece. Insert the drain body into the lavatory. Put the rubber gasket (Tapered side up), plastic washer and locknut back to the drain body in turn. Tighten the locknut.

**NOTE:** If needed, apply a ring of plumbers putty or other sealants around the underside of the drain flange(14), instead of using rubber washer(15).

Do not reposition the drain after the locknut is tightened, or you may break the putty or sealant seal.

## INSTALLATION CHECKOUT

Ensure that all coupling nuts are tight. Ensure that the handle is in the off position.

Turn on the drain and main water supply, and check for leaks. Repair as needed.

Remove the aerator(21) with the key(20) provided. Open the drain. Turn on the main supply and check for leaks. Open both hot and cold valves and run water through the spout or remove any debries. Turn the valve off. Reinstall the aerator.

## CLEANING INSTRUCTIONS

All Finishes: Clean the finish with mild soap and warm water. Wipe entire surface completely dry with clean soft cloth. Many cleaners may contain chemicals, such as ammonia, chlorine, toilet cleaner etc. which could adversely affect the finish and are not recommended for cleaning.

Do not use abrasive cleaners or solvents on Kohler faucets and fittings.