

# KOHLER®

## INSTALLATION INSTRUCTIONS

### 安装说明书

# 菲尔法斯 FAIRFAX

## Deck-Mount Bath Faucet

### 12885T-4 缸边(台面)式浴缸龙头

#### 安装之前

所有的资料是按最新出版的产品资料编写而成。科勒公司保留任何时候不经通知即可改变产品特性、包装或产品可供类型的权利。

说明书包括重要的安装、保养及清洁方面的内容，请把这些资料交给用户阅读。

#### 注意事项：

1. 切断供水管路。
2. 检查供水管有无损坏。如需要，进行替换。
3. 遵守当地管路安装条例。
4. 尽可能在安装面盆之前安装水龙头。

#### BEFORE YOU BEGIN

All information is based on the latest product information available at the time of publication. Kohler Co. reserves the right to make changes in product characteristics, packaging, or availability at any time without notice.

Please leave these instructions for the consumer. They contain important information.

#### NOTES:

1. Shut off the water supplies to the fitting.
2. Inspect the supply tubing for damage. Replace as necessary.
3. Observe local plumbing codes.
4. If possible, install this faucet before installing the lavatory.

#### 使用说明

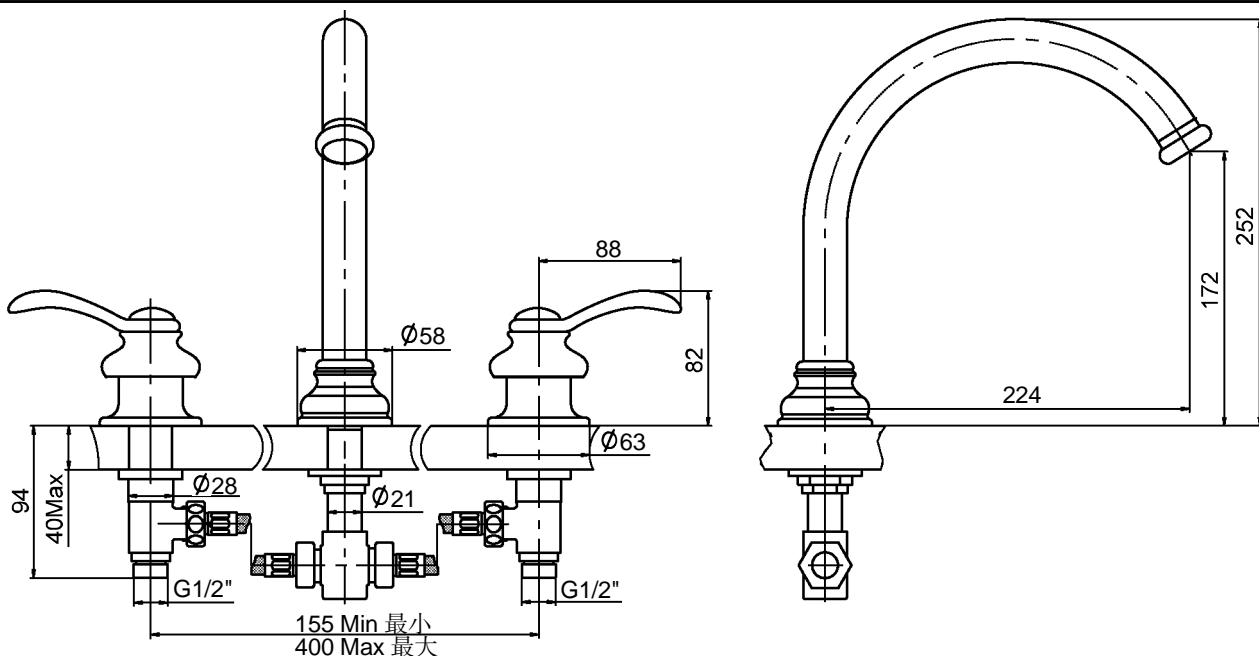
逆时针旋转左把手为开，顺时针旋转右把手为开。

#### HANDLE OPERATION

Left handle opens with one-quarter turn counter-clockwise. Right handle opens with one-quarter turn clockwise.

#### 安装尺寸

#### ROUGH-IN DIMENSIONS



## 安装步骤

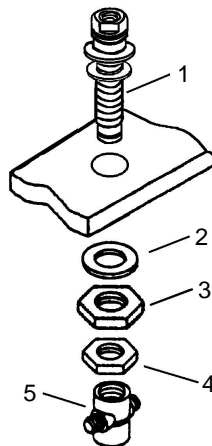
## INSTALLATION

### 如何安装牙管

从牙管(1)上依次取下 T 型接头(5)、螺母(4)、螺母(3)和垫片(2)。将牙管插入浴缸中孔。

安装垫片(2)、螺母(3)、螺母(4),上下同时用力拧紧螺母(3),然后拧紧螺母(4)。

将 T 型接头旋到牙管上,直至用手旋紧。



### How To Install The Shank

Remove the parts from the shank(1) and retain them according to the following order: supply tee(5), nut(4), nut(3) and washer(2). Fit the shank to the center hole of tub.

Install the washer(2), nut(3), nut(4), and wrench to tighten nut(3), then tighten nut(4).

Thread supply tee to the shank of the unit kit until hand-tight.

### 如何安装阀体

从阀体上依次取下装饰盖(12)、螺母(11)、垫片(10)。

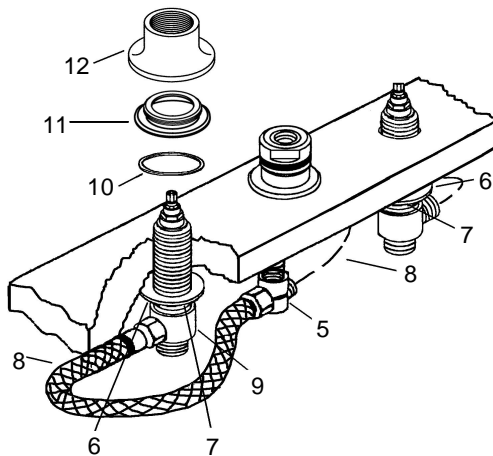
如图所示:将垫片放入软管(8)两端螺母中,然后分别与阀体和 T 型接头(5)连接。

**注意:**将阀体定位,使得面向龙头时,贴有蓝色标记的阀体位于右面。为了安装方便,可以适当旋松 T 型接头,但不要超过 180 度。安装必须保证软管水流顺畅。软管(8)只能用于此处。

从台面或浴缸边缘的底部将阀体(9)穿过安装孔。

在每一个阀体上套上垫片(10),旋紧螺母(11)(平面向下)及装饰盖(12)。

用扳手锁紧螺母(7)。



### How To Install The Valve Bodies

Remove the parts from the side bodies and retain them according to the following order: escutcheon(12), nut(11), washer(10).

Put the washers into the nuts of the hoses(8). Connect the side bodies and center tee(5) with hoses as in the drawing.

**NOTE:** Install valve body with blue mark so it is on the right when facing the front of the faucet. To ease installation, you may back off the supply tee up to 180 degrees. Ensure that there is no kinking of the hoses. The hoses(8) should only be used here.

Insert side bodies(9) through mounting holes from the bottom of the deck or bath tub rim.

Put the washer(10) onto each side body, tighten the nut(11, with flange side down) and escutcheon(12).

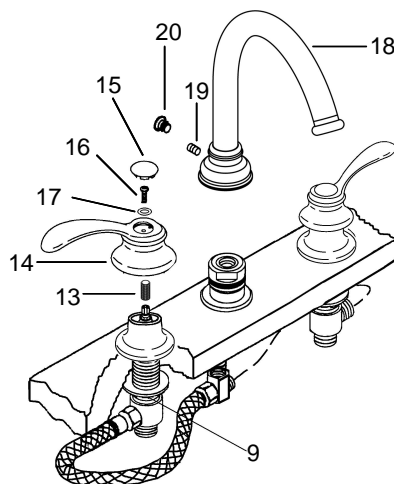
Wrench to tighten nut(7).

## 如何安装把手和出水口

调整两阀使其处于关闭状态。将齿套(13)和把手(14)按到阀体上。将垫片(17)套到螺钉(16)上,再将螺钉通过把手顶部的孔旋到阀体上。将塞扣(15)塞入把手顶部的孔中。左红右蓝。

将出水口(18)插入牙管,直至与台面接触。用六角扳手锁紧螺钉(19),然后将塞子(20)塞入螺钉孔。

出水口及把手安装完毕处于关闭状态时的位置如下图所示。



## How To Install The Handles And Spout

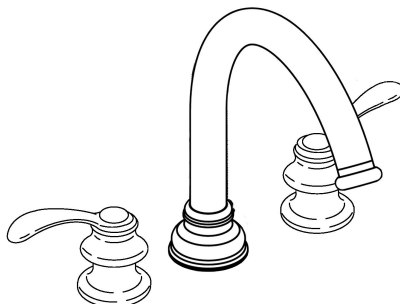
Adjust the valves so that they are in the closed position. Press the stem extensions(13) and the handle kits(14) onto the side bodies. Put the washers(17) on the screws(16), then screw them into the valve bodies through the holes of the handle kits. Install the plugs(15) on the top of the handle kits. Be sure that the red one on the left and the blue one on the right.

Insert the spout(18) to the shank until its escutcheon contacts the deck. Tighten the screw(19) by hex wrench provided, then insert the plug button(20) into rear hole.

The following configuration shown is the correct position for the installed spout and handles when closed.

## 安装结果检查

确保已拧紧所有连接处。打开排水器。打开主供水源,检查泄漏。如有漏水,修理之。打开冷热水阀,使水流过出水口,除掉杂物,关闭阀。



Ensure that all connections are tight. Open the drain. Turn on the main supply and check for leaks. Repair as needed. Open both hot and cold valves and run water through the spout to remove any debris. Turn the valve off.

## 清理说明

适用于所有加工处理过的表面:以中性肥皂水清洗镀层表面,再以干净的软布彻底擦干整个表面,许多清洁剂,比如氨水、去污粉及洁厕灵等,会对电镀表面造成伤害,切忌使用。

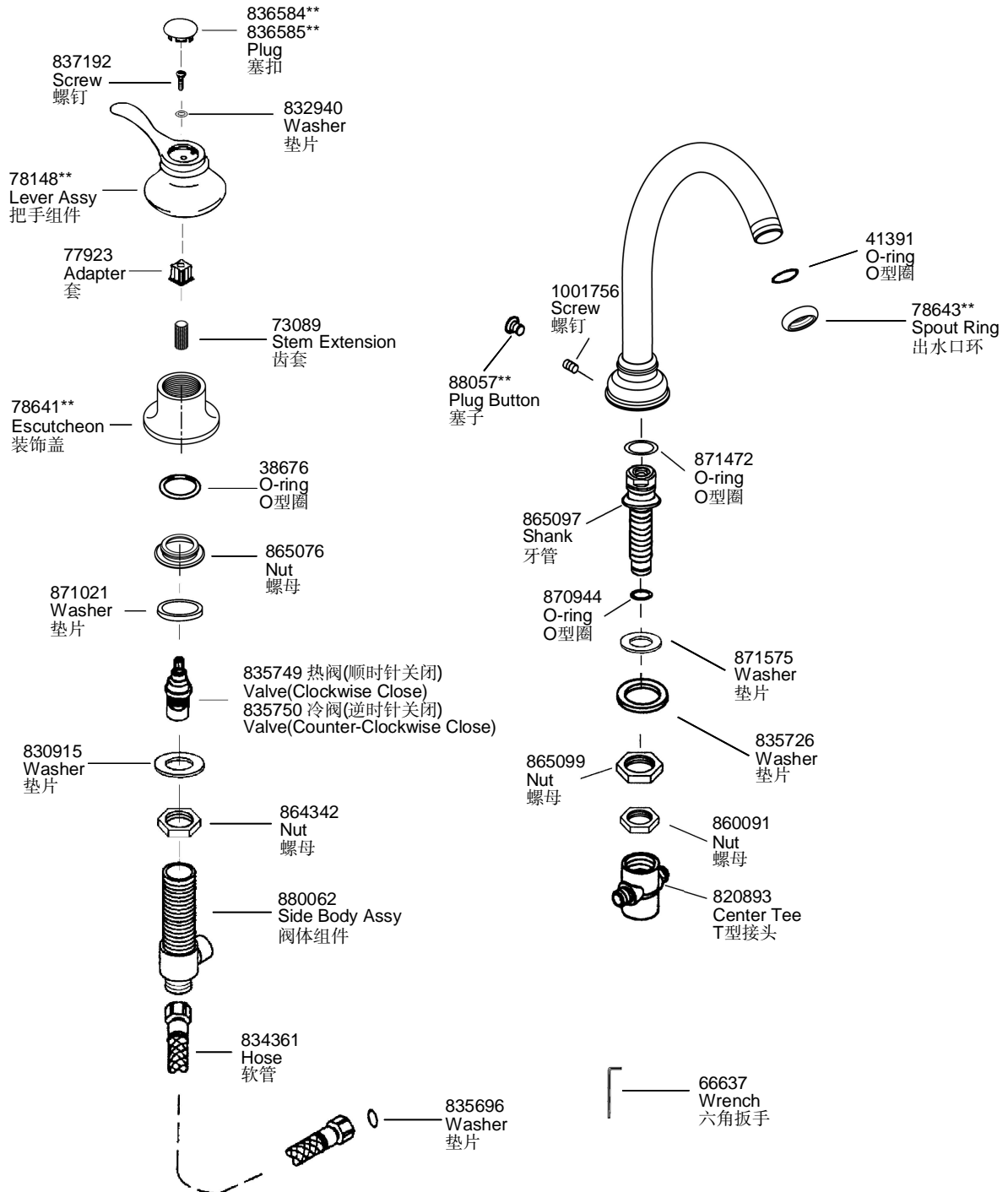
有腐蚀性的清洁剂或溶剂不可使用于科勒牌的水龙头及其附件上。

## CLEANING INSTRUCTIONS

All Finishes: Clean the finish with mild soap and warm water. Wipe entire surface completely dry with clean soft cloth. Many cleaners may contain chemicals, such as ammonia, chlorine, toilet cleaner etc. which could adversely affect the finish and are not recommended for cleaning.

Do not use abrasive cleaners or solvents on Kohler faucets and fittings.

### 12885T-4 缸边(台面)式浴缸龙头



\*\*订购时请说明颜色编号

\*\*Color code must be specified when ordering.