

14401T 14403T

落地式浴缸龙头

安装之前

所有的资料是按最新出版的产品资料编写而成。科勒公司保留任何时候不经通知即可改变产品特性、包装或产品可供类型的权利。

说明书包括重要的安装、保养及清洁方面的内容,请把这些资料交给用户阅读。

注意事项:

1. 一定要先彻底冲洗供水管以清除管道中的杂质。
2. 检查供水管有无损坏。如需要,进行替换。
3. 遵守当地管路安装条例。

BEFORE YOU BEGIN

All information is based on the latest product information available at the time of publication. Kohler Co. reserves the right to make changes in product characteristics, packaging, or availability at any time without notice.

Please leave these instructions for the consumer. They contain important information.

NOTES:

1. Flush the water supply pipes thoroughly to remove debris.
2. Inspect the supply tubing for damage. Replace as necessary.
3. Observe local plumbing codes.

使用说明

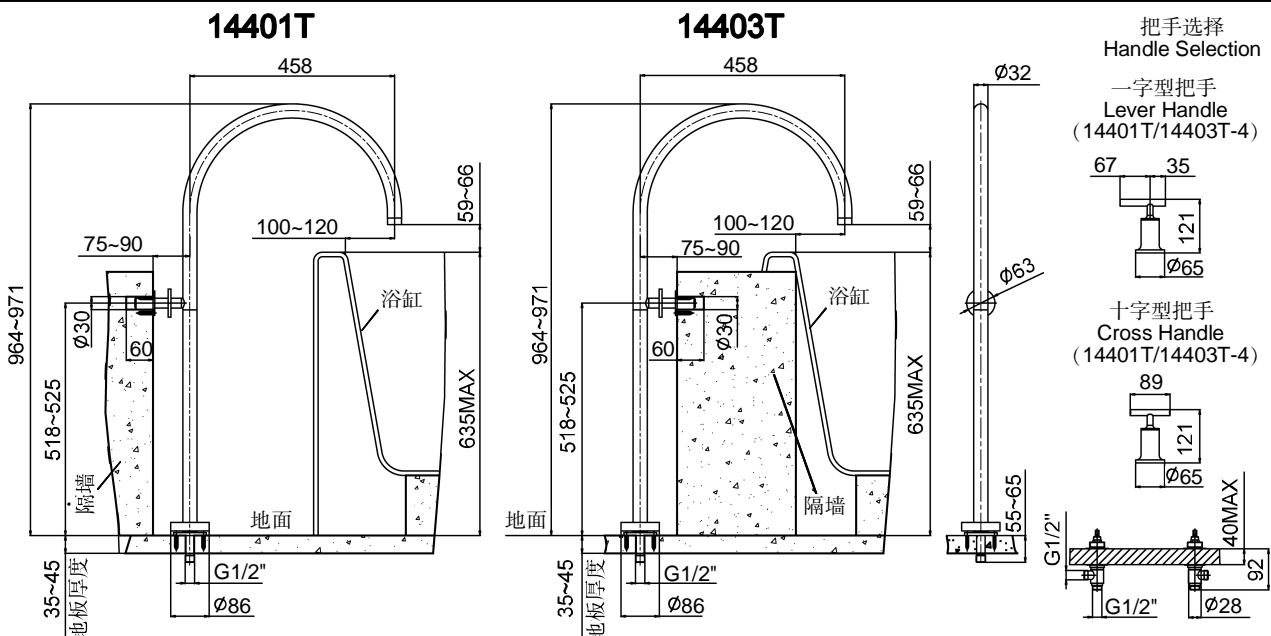
逆时针旋转左把手为开,顺时针旋转右把手为开(一字把手)。逆时针旋转两把手为开,顺时针为关(十字把手)。

HANDLE OPERATION

Left handle opens with one-quarter turn counter-clockwise. Right handle opens with one-quarter turn clockwise (Lever Handle). Both handles open with one-quarter turn counter-clockwise (Cross Handle).

安装尺寸

ROUGH-IN DIMENSIONS

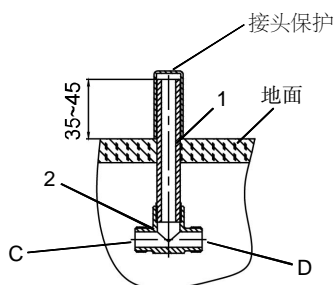


安装步骤

如何安装接头

在接头(1)螺纹上缠绕密封胶带或涂密封膏。将 G1/2" T 型接头(2, 用户自备)安装到接头上。根据需
要确定 T 型接头的位置,使接头与
地面垂直,露出地面 35~45 毫米。
布管,T 型接头 C、D 两端需分别
连接两阀体。

注意:保护好接头露出地面的部分。



INSTALLATION

How To Install The Connector

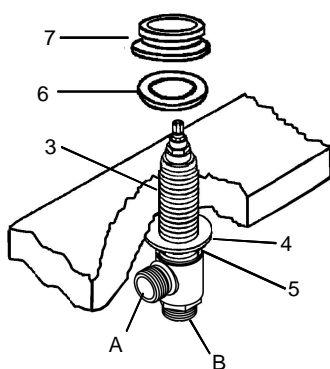
Apply tape or thread sealant to the threads of connector(1). Install it to G1/2" supply tee(2, not provided). Decided the location of supply tee as required. Keep the connector 35~45mm beyond the finished floor and vertical to the floor. Install pipes. The ends C,D of supply tee will be connected with side bodies.

Note: Protect the connector from damage.

如何安装阀体

将带有垫片(4)和锁紧螺母(5)的
阀体组件(3)从浴缸边缘下方插入
安装孔(贴有红色标记的阀体装在
左侧)。将泡沫垫片(6)套在阀体
上。将螺母(7)旋到阀体上(平面
向下)。旋紧锁紧螺母(5)。

阀体组件 B 端与水源连接,A 端接
浴缸出水口。**注意:**带红色标记阀
体接热水。



How To Install The Valve Bodies

Insert the side bodies(3) with washer(4) and nut(5) through mounting holes from bottom of the bath trim (the side body with red mark on the left when facing the front of the faucet). Install the foam washer(6) onto the side bodies. Thread the nuts(7) onto side bodies with flange downwards. Tighten the nut(5).

Connect the ends B of side bodies with water supply. Connect the ends A with bath spout.

Note: The hot supply connect to the side body with red mark.

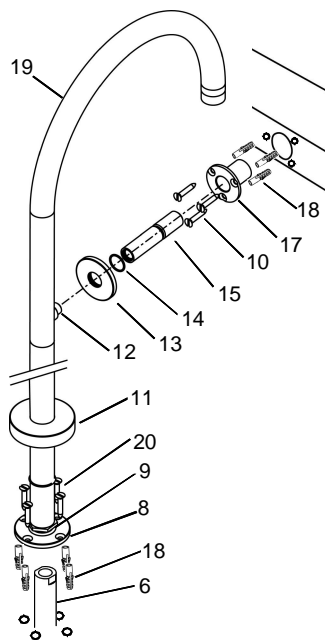
如何安装出水口

地面装修好且浴缸安装后,去除接
头保护。将装饰罩(11)(内孔装有
O 型圈)套入出水口(19)底部。将
装有两个 O 型圈和螺母(9)的固
定座(8)旋入出水口底部。

根据安装尺寸,在隔墙钻孔,将固
定座(17)放入孔中,标记安装孔
位。

将出水口组件插入接头(6),标记
固定座(8)安装孔位。

取下出水口组件及固定座(17)。根
据标记及胀塞(18)直径,在隔墙及
地面钻孔,放入胀塞。



How To Install The Spout

Remove the protector from connector after completed the finished wall and bath. Slip the escutcheon(11) with o-ring onto the base of bath spout(19). Thread the mounting base(8) with two o-rings and nut(9) onto bath spout base.

Drill a hole on the wall, according to rough-in dimensions. Insert the mounting base(17) into the hole. Mark the mounting hole locations.

Slip the spout kit onto the connector(6), Mark the mounting hole locations of moution base (8) on the floor.

Remove the spout kit and the mounting base (17), Drill holes according to marks and diameter of rawlplug(18). Press the rawlplugs into holes.

用螺钉(10)锁紧固定座(17)。将连接杆(15)插入固定座(17),并将装饰罩(13)(内孔装有O型圈(14))套入连接杆。

使出水口正对浴缸,将出水口组件装入接头(6),旋转固定座(8)以调节出水口高度,连接连接杆(15)与出水口接头(12)。并锁紧螺母(9)及螺钉(20)。

向下推装饰罩(11),使其与地面接触。向外推装饰罩(13),使其与隔墙接触。

Secure the mounting base(17) with screws (10). Insert the connector(15) into mounting base(17). Slip the escutcheon(13) with o-ring (14) onto the connector.

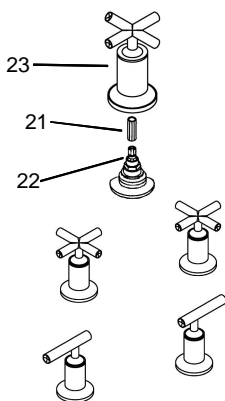
Be sure the spout points to bath. Slip the spout kit onto the connector(6). Rotating the mounting base(8) to adjust the height of spout. Screw connector(15) onto spout connector(12). Tighten nut(9) and screws(20).

Push escutcheon(11) against floor. Push escutcheon(13) against the wall.

如何安装把手

将齿套(21)装在阀轴(22)上,将把手组件(23)旋紧到阀体上(面向龙头时,带红色垫片的把手安装在左侧)。

把手安装完毕,处于关闭状态的位置如右图所示:



How To Install The Handles

Press the spline adapter(21) onto the valve stem(22). Install and tighten the handle kit (23, the handle with the red washer on the left when facing the front of the faucet).

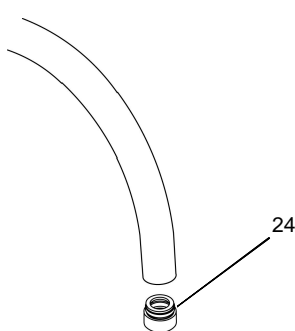
The configuration shown is the correct position of the handles in the closed position.

安装结果检查

检查并确保所有的衔接螺母都已拧紧。确保把手在“关”的位置。

打开排水器和主要供水源,检查并修理有漏水的接口。

将起泡器(24)卸下,打开水龙头的冷热水,让水流出约一分钟以清除杂质,检查渗漏。冲洗起泡器,关闭水龙头后,重新装回起泡器。



INSTALLATION CHECKOUT

Ensure all coupling nuts are tight. Ensure that handles are in the close position.

Turn on drain and main water supply. Check for leaks. Repair as required.

Remove the aerator(24). Run hot and cold water through faucet for about one minute to remove any debris. Check for leaks. Repair as needed. Remove any debris from the aerator. Shut the faucet off and reinstall the aerator.

清理说明

适用于所有加工处理过的表面:以中性肥皂温水清洗镀层表面,再以干净的软布彻底擦干整个表面。许多清洁剂,比如氨水、去污粉及洁厕灵等,会对电镀表面造成伤害,切忌使用。

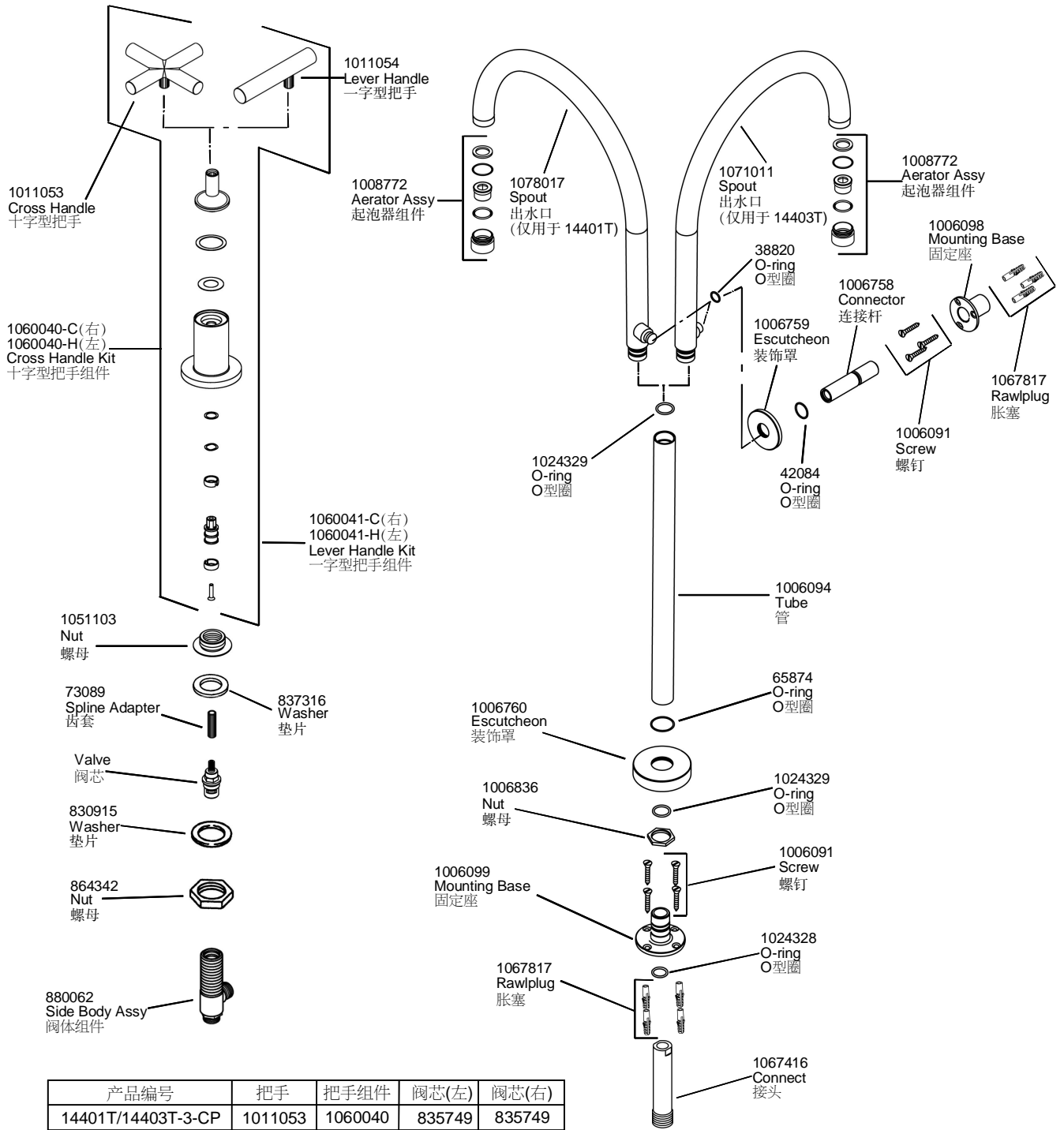
有磨损性的清洁用具或清洁剂也不可用于科勒牌的水龙头及其配件上。

CLEANING INSTRUCTIONS

All Finishes: Clean the finish with mild soap and warm water. Wipe entire surface completely dry with clean soft cloth. Many cleaners may contain chemicals, such as ammonia, chlorine, toilet cleaner etc. which could adversely affect the finish and are not recommended for cleaning.

Do not use abrasive cleaners or solvents on Kohler faucets and fittings.

14401T 14403T 落地式浴缸龙头



产品编号	把手	把手组件	阀芯(左)	阀芯(右)
14401T/14403T-3-CP	1011053	1060040	835749	835749
14401T/14403T-4-CP	1011054	1060041	835749	835750