

14402T
14404T
14434T

单孔面盆龙头
高把单孔面盆龙头
单孔净身盆龙头

安装之前

所有的资料是按最新出版的产品资料编写而成。科勒公司保留任何时候不经通知即可改变产品特性、包装或产品可供类型的权利。

说明书包括重要的安装、保养及清洁方面的内容，请把这些资料交给用户阅读。

注意事项：

1. 一定要先彻底冲洗供水管以清除管道中的杂质。
2. 检查供水管有无损坏。如需要,进行替换。
3. 尽可能在安装面盆或净身盆之前安装水龙头。

BEFORE YOU BEGIN

All information is based on the latest product information available at the time of publication. Kohler Co. reserves the right to make changes in product characteristics, packaging, or availability at any time without notice.

Please leave these instructions for the consumer. They contain important information.

NOTES:

1. Flush the water supply pipes thoroughly to remove debris.
2. Inspect the supply tubing for damage. Replace as necessary.
3. If possible, install this faucet before installing lavatory or bidet.

使用说明

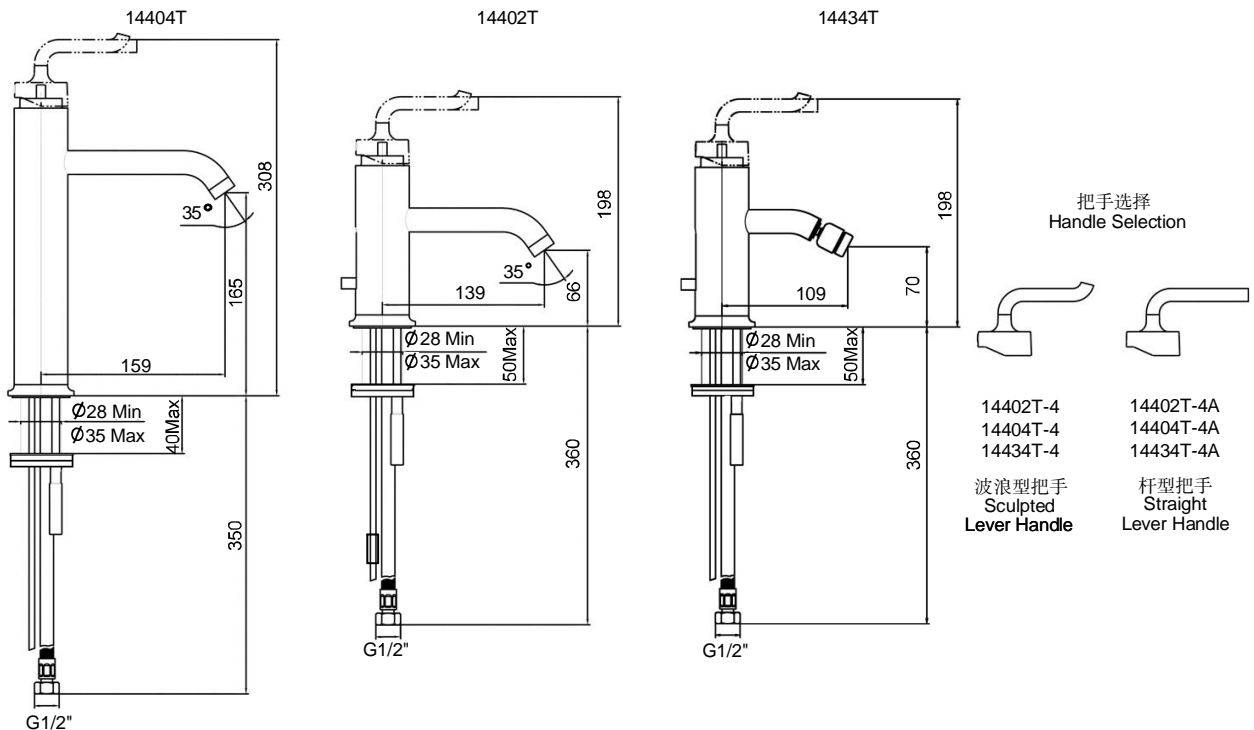
将手柄轻轻提起,向左转为热水,右转为冷水。

HANDLE OPERATION

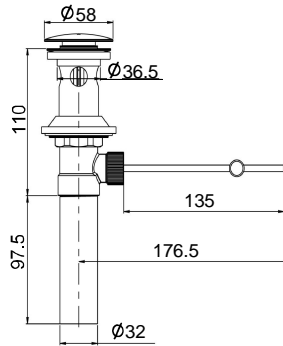
Lift the handle gently. Turn left for hot water, right for cold water.

安装尺寸

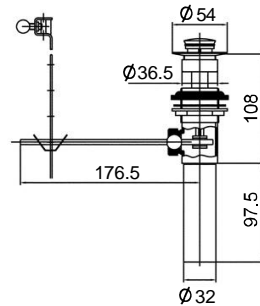
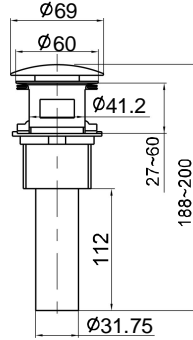
ROUGH-IN DIMENSIONS



只用于 14402T-4A-CP & 14402T-4-CP



只用于 14404T



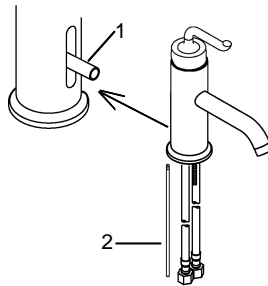
安装步骤

INSTALLATION

如何安装提拉杆

从提拉杆组件上旋下提拉杆头(1),将杆(2)从龙头底部的孔穿入龙头后面的凹槽中,用手将提拉杆旋紧到提拉杆头上。

注:14404T 无提拉杆。



How To Install The Lift Rod Assy

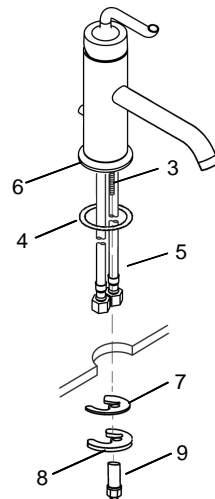
Unscrew the lift rod knob(1) from the lift rod(2). Insert the lift rod into the hole from underside of the faucet until the groove of the faucet. Screw the lift rod knob to the lift rod, tightened by hand.

Note: There is not lift rod assy in 14404T.

如何安装水龙头

把垫片(4)套进软管(5),提拉杆和固定螺栓(3),粘在本体底部(6)的槽内。把软管插入面盆或净身盆的安装孔中,调整好水龙头的位置,从面盆或净身盆下方将托架(7)套在固定螺栓上,套上垫片(8)并用螺母(9)锁紧,将水龙头固定。

把软管接到水源,当您面对水龙头时,左边为热水,右边为冷水。



How To Install The Faucet

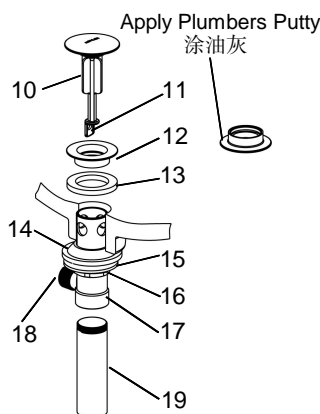
Slide the washer(4) over the flexible hoses(5), lift rod and the stud(3). Put it into the groove on the bottom (6) of the faucet. Insert the hoses into the lavatory or the bidet hole. Position the faucet. From underside of the lavatory or bidet, fit the bracket(7) and washer (8) on the thread stud and secure the faucet by tightening nut(9).

Attach the hoses to water supplies. When facing front of faucet, the left hose is hot water, the right hose is cold water.

如何安装排水器

14402T-4-CP & 14402T-4A-CP

将止水塞(10)、法兰盘(12)及垫片(13)从排水本体(17)取下,在法兰盘底面套上垫片。尾管(19)从排水本体上取下。在尾管螺纹处须缠绕足以密封的密封胶带或涂合适的密封胶,装回排水本体。把带垫圈(14)、钢垫(15)及锁紧螺母(16)的排水本体由洗面盆孔下部插入,排水杆洞口(18)朝后方。



How To Install The Drain

14402T-4-CP & 14402T-4A-CP

Uninstall the stopper(10), drain flange(12) and washer(13) from drain body(17). Slide washer onto the underside of the drain flange. Uninstall the tailpiece(19) from the drain body. Supply enough tape or sealant to tailpiece thread. Reinstall the tailpiece. Insert the drain body with gasket(14), steel washer(15) and locknut(16) into the lavatory from underside, with the drain lever hole(18) facing the rear.

注: 如果需要,可直接在法兰盘底面沿周围涂上一圈密封油灰,而不使用垫片(13)。

把法兰盘旋入排水本体中。从下方用手拧紧锁紧螺母。把止水塞放入排水本体中,调整以使止水塞末端的孔(11)靠近并对正排水杆洞口。

松开连接头(23)上的螺钉,取下连接头。将固定螺母(21)取下,把塑料垫片(20)及固定螺母装在球杆(22)上,将球杆组件插入排水杆洞口(18)并穿过止水塞孔,拧紧固定螺母。

确保球杆指向面盆后方,并拧紧排水本体上的锁紧螺母。

注意: 在锁紧螺母转紧后,不可调整排水本体的位置,否则会破坏油灰密封。去除多余的油灰。

将提拉杆组件(2)插入出水口后侧孔。根据所选面盆尺寸,选择排水器与水龙头提拉杆的连接方式。

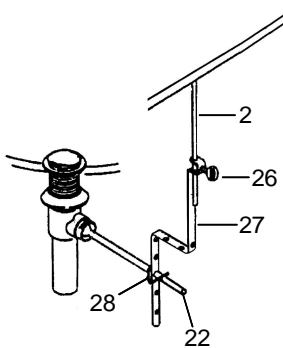
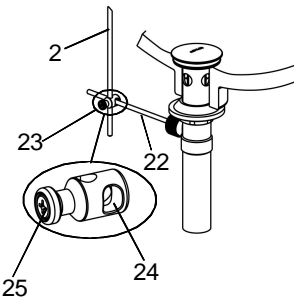
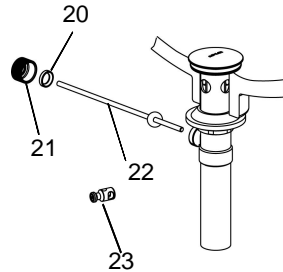
方式一:选用连接头(23)

连接头(23)大孔(24)套到球杆(22)上,将提拉杆下部插入连接头小孔中。调整提拉杆的高度,使提拉杆底部同水龙头本体相距约 10mm。将球杆下推到排水器全开位置。锁紧连接头上的螺钉(25)。

方式二:选用联动组件(26,27 & 28)

根据提拉杆的长度,折弯联杆(27)。用 V 形夹(28)将联杆连接到球杆组件上,将提拉杆(2)插到联杆的孔中,调整提拉杆的高度,使提拉杆底部同水龙头本体相距约 10mm。将球杆(22)下推到排水器全开位置。拧紧手捻螺丝(26)。

把尾管接上存水弯,尾管须插入存水弯 25mm 到 50mm。



NOTE: If necessary apply a ring of plumbers putty around the underside of the drain flange, instead of using washer(13).

Thread the drain flange onto the drain body. Handtighten the locknut from the underside of the lavatory. Place stopper into drain body, aligning the flat side of stopper hole(11) with the drain lever hole.

Loosen the screw on the latch(23), take off the latch. Remove the retaining nut(21). Fit the plastic washer (20) and retaining nut onto the ball lever rod(22). Insert the ball lever assembly into the drain lever hole(18) and through the stopper hole. Tighten the retaining nut.

Be sure that the ball lever rod points to the back of the lavatory, tighten the locknut.

NOTE: Do not reposition the drain after the locknut is tightened, or you may break the putty seal. Remove any excess putty.

Insert the lift rod assembly(2) into the rear hole of spout. Select the connection of the drain and the lift rod according the dimension of lavatory.

Way 1: Select the latch(23)

Insert the ball lever rod(22) into the bigger hole(24) of the latch(23). Insert the lift rod into the other hole of latch. Position the lift rod, ensure the distance between lift rod knob and the body is about 10mm. Push the ball lever rod down to the open position. Tighten the screw(25) on the latch.

Way 2: Select the link kit(26, 27 & 28).

According to the lift rod length, bend the link(27). Connect the link onto ball lever rod with 'V' clip(28). Slide lift rod(2) into the hole on link. Position the lift rod, ensure the distance between lift rod knob and the body is about 10mm. Push the ball lever rod down to the open position. Tighten thumb screw(26).

Connect the tailpiece to the trap. The tailpiece should extend 25mm to 50mm into the trap.

如何安装排水器 14434T & 14402T 其它表面

将止水塞(29)、法兰盘(31)及垫片(32)从排水本体(37)取下,在法兰盘底面套上垫片。尾管(38)从排水本体上取下。在尾管螺纹处须缠绕足以密封的密封胶带或涂合适的密封胶,装回排水本体。把排水本体带垫圈(33)、钢垫(35)及锁紧螺母(36)由净身盆孔下部插入,排水杆洞口(34)朝后方。

注: 如果需要,可直接在排水器法兰盘(31)底面沿周围涂上一圈密封油灰,而不使用垫片(32)。

把排水器法兰盘旋入排水本体中。从下方用手拧紧锁紧螺母。把止水塞放入排水本体中,调整以使止水塞末端孔(30)靠近并对正排水杆的洞口(34)。

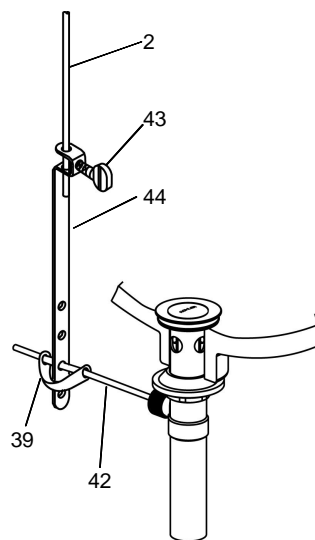
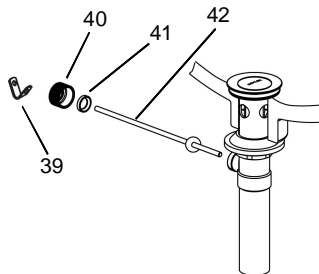
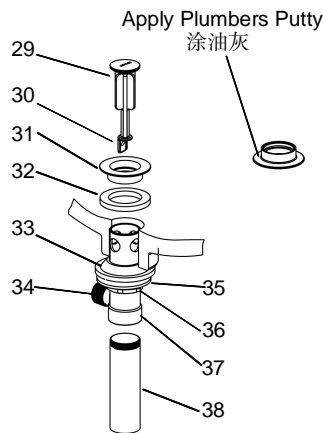
取下 V 形夹(39)及固定螺母(40),把塑料垫片(41)及固定螺母装在球杆(42)上,再把球杆组件插入排水杆的洞口(34)中并穿过止水塞,拧紧固定螺母。

确保球杆指向净身盆后方,并拧紧排水本体上的锁紧螺母,去除多余的油灰。

注意: 在锁紧螺母转紧后,不可调整排水本体的位置,否则会破坏油灰密封。

将提拉杆(2)下部插入连杆(44)孔中。用 V 形夹(39)将连杆连接在球杆(42)上,调整提拉杆的位置,使提拉杆头底部同龙头本体相距约 10mm。

将球杆往下推到排水器全开的位置。拧紧手捻螺丝(43)。



How To Install The Drain For the other finished of 14434T & 14402T

Take off the stopper(29), drain flange(31) and washer(32) from drain body(37). Slide washer onto the underside of the drain flange. Take off the tailpiece(38) from the drain body. Supply enough tape or sealant to tailpiece thread. Reinstall the tailpiece. With the gasket(33), steel washer(35) and locknut(36) on the drain body, insert it into the bidet from underside with the drain lever hole(34) facing the rear.

NOTE: If needed apply a ring of plumbers putty around the underside of the drain flange(31), instead of using washer(32).

Thread the drain flange onto the drain body. Tighten the locknut by hand from the underside. Place stopper into drain body aligning the flat side of stopper hole(30) with the drain lever hole (34).

Take off "V"-clip(39) and retaining nut(40). Fit the plastic washer(41) and retaining nut onto the ball lever(42). Insert the ball lever assembly into the drain lever hole(34) and through the stopper hole. Tighten the retaining nut.

Be sure that the ball lever rod points to the back of the bidet, tighten the locknut on the drain body. Remove any excess putty.

NOTE: Do not reposition the drain after the locknut is tightened, or you may break the putty seal.

Insert the lift rod(2) into the link(44) of the drain. Connect the link onto ball lever rod(42) with "V" clip(39). Position the lift rod, ensure the distance between the lift rod knob and the body is about 10mm.

Push the ball lever rod down to the open position. Tighten thumb screw(43).

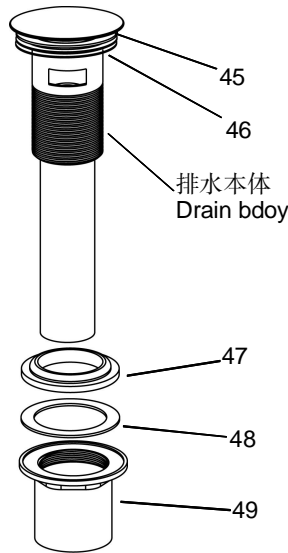
如何安装排水器

14404T

将锁紧螺母(49)、塑料垫片(48)、橡胶垫圈(47)从排水本体上取下。把排水本体从面盆上部孔插入。再依次将橡胶垫圈(小面朝上)、塑料垫片和锁紧螺母从排水本体底部装入。锁紧螺母。

注意: 如果需要,可直接在排水器法兰(45)底面沿周围涂一圈密封油灰或其它密封剂,而不使用橡胶垫片(46)。

在锁紧螺母拧紧后,不可调整排水本体的位置,否则会破坏油灰或密封剂密封。去除多余的油灰。



How To Install The Drain

14404T

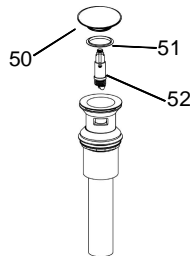
Remove the locknut(49), plastic washer(48), rubber gasket(47) from the drain body. Insert the drain body into the lavatory. Reinstall the rubber gasket (Tapered side up), plastic washer and locknut back to the drain body in turn. Tighten the locknut.

Note: If needed, apply a ring of plumbers putty or other sealants around the underside of the drain flange(45), instead of using rubber washer(46).

Do not reposition the drain after the locknut is tightened, or you may break the putty or sealant seal. Remove any excess putty.

更换止水垫及活塞组件

逆时针旋下止水塞(50),取出止水垫(51)。更换新的止水垫。逆时针旋下活塞组件(52),更换新的活塞组件。装回止水垫及止水塞。

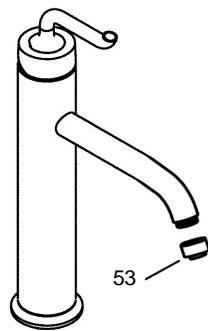


Replacing the Washer and Piston Kit

Turn counterclockwise to remove the stopper(50). Take out washer(51). Replace with a new one. Turn counterclockwise to remove the piston kit (52). Replace with a new one. Reinstall washer and stopper .

安装结果检查

检查并确保所有的衔接螺母都已拧紧。确保把手在“关”的位置。打开排水器和主要供水源,检查并修理有漏水的接口。将起泡器(53)卸下,打开水龙头的冷热水,让水流出约一分钟以清除杂质,检查渗漏。冲洗起泡器,关闭水龙头后,重新装回起泡器。



INSTALLATION CHECKOUT

Ensure all coupling nuts are tight. Ensure that handles are in the off position. Turn on main water supply and check for leaks. Repair as required. Remove the aerator(53). Run hot and cold water through faucet for about a minute to remove any debris. Check for leaks. Repair as needed. Remove any debris from the aerator. Shut the faucet off and reinstall the aerator.

清理说明

适用于所有加工处理过的表面;以中性肥皂水清洗镀层表面,再以干净的软布彻底擦干整个表面。许多清洁剂,比如氨水、去污粉及洁厕灵等,会对电镀表面造成伤害,切忌使用。

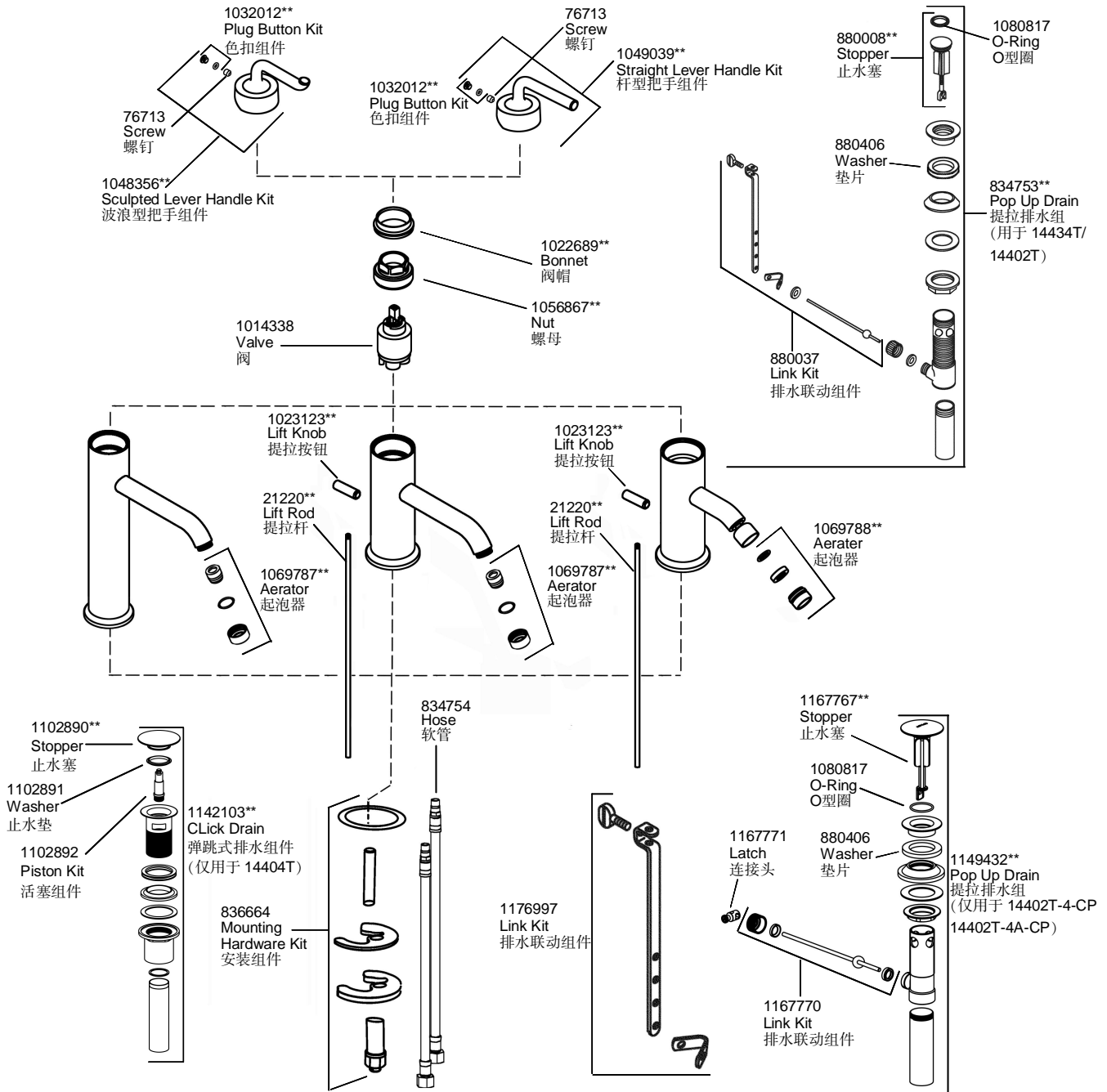
有腐蚀性的清洁剂或溶剂不可使用于科勒牌的水龙头及其附件上。

CLEANING INSTRUCTIONS

All Finishes: Clean the finish with mild soap and warm water. Wipe entire surface completely dry with clean soft cloth. Many cleaners may contain chemicals, such as ammonia, chlorine, toilet cleaner etc. which could adversely affect the finish and are not recommended for cleaning.

Do not use abrasive cleaners or solvents on Kohler faucets and fittings.

14402T 单孔面盆龙头
14404T 高把单孔面盆龙头
14434T 单孔净身盆龙头



**订购时请说明颜色编号

**Color code must be specified when ordering.