

14428T 缸边(台面)式浴缸龙头

安装之前

所有的资料是按最新出版的产品资料编写而成。科勒公司保留任何时候不经通知即可改变产品特性、包装或产品可供类型的权利。

说明书包括重要的安装、保养及清洁方面的内容，请把这些资料交给用户阅读。

注意事项：

1. 切断供水管路。
2. 检查供水管有无损坏。如需要,进行替换。
3. 遵守当地管路安装条例。
4. 尽可能在安装浴缸之前安装龙头。

BEFORE YOU BEGIN

All information is based on the latest product information available at the time of publication. Kohler Co. reserves the right to make changes in product characteristics, packaging, or availability at any time without notice.

Please leave these instructions for the consumer. They contain important information.

NOTES:

1. Shut off the water supplies to the fitting.
2. Inspect the supply tubing for damage. Replace as necessary.
3. Observe local plumbing codes.
4. If possible, install this faucet before installing the tub.

使用说明

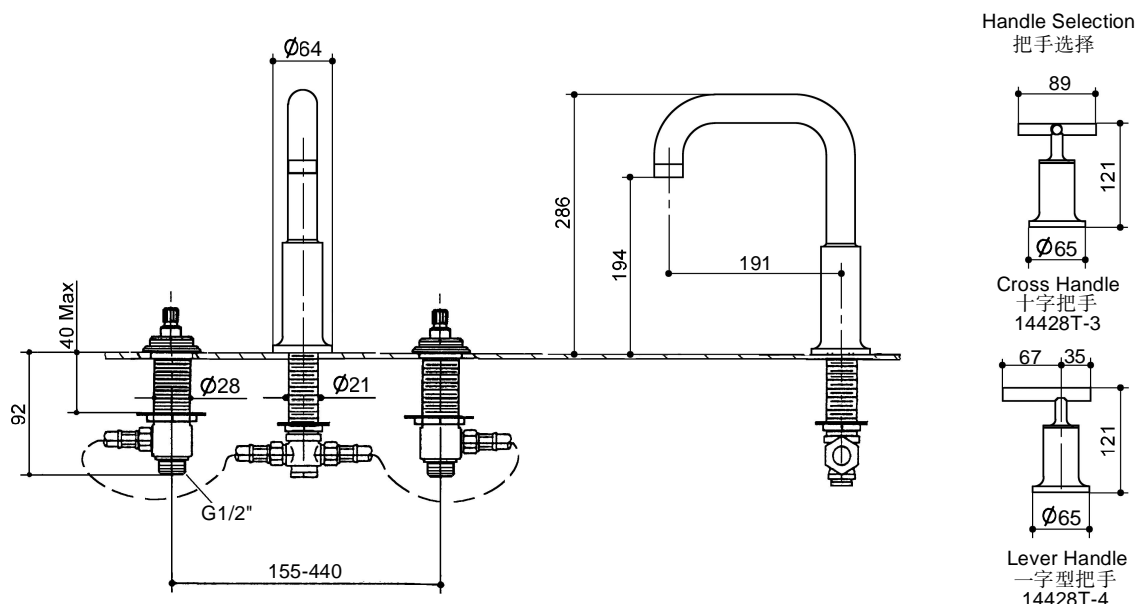
逆时针旋转左把手为开,顺时针旋转右把手为开(一字型把手)。逆时针旋转两把手为开,顺时针旋转两把手为关(十字把手)。

HANDLE OPERATION

Left handle opens with one-quarter turn counter-clockwise. Right handle opens with one-quarter turn clockwise (Lever Handle). Both handles open with one-quarter turn counter-clockwise, Close with one-quarter turn clockwise (Cross Handle).

安装尺寸

ROUGH-IN DIMENSIONS



安装步骤

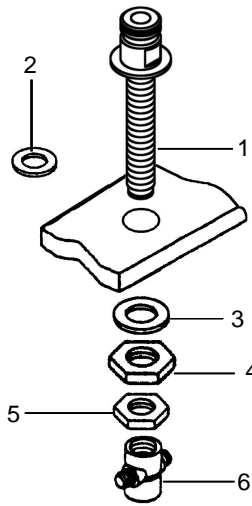
如何安装牙管

从牙管(1)上依次取下 T 型接头(6)、螺母(5)、螺母(4)和金属垫片(3)。

在牙管上套上泡沫垫片(2),然后将牙管插入台面或浴缸中孔。

安装垫片(3)、螺母(4)、螺母(5),上下同时用力拧紧螺母(4),然后拧紧螺母(5)。

将 T 型接头用手旋紧到牙管上。



INSTALLATION

How To Install The Shank

Remove the parts from the shank(1) and retain them according to the following order: supply tee(6), nut(5), nut(4) and metal washer(3).

Install the foam washer(2) to the shank, then fit the shank to the center hole of the deck or bath tub.

Install the washer(3), nut(4), nut(5), and wrench to tighten nut(4), then tighten nut(5).

Screw the supply tee to the shank of the unit kit until hand-tight.

如何安装阀体

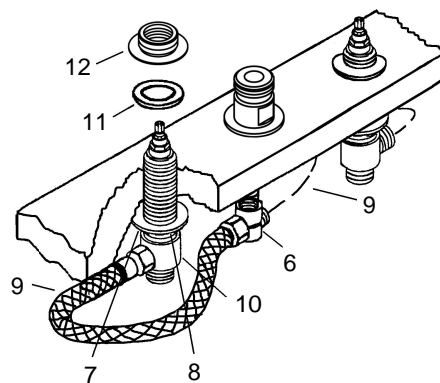
将垫片放入软管(9)两端,用软管连接阀体组件(10)和 T 型接头(6)。

注意:软管(9)只能用于此处。

为了安装方便,可以适当旋松 T 型接头,但不要超过 180 度。安装必须保证软管水流顺畅。

将带有垫片(7)和锁紧螺母(8)的阀体组件从台面或浴缸边缘下方穿过安装孔(对于 14428T-4,面向龙头时,贴有红色标记的阀体装在左侧)。

在每一个阀体上套上垫片(11),旋上螺母(12)(平面向下)。用扳手拧紧螺母(8)。



How To Install The Side Bodies

Put the washers into the ends of the hose(9). Connect the side bodies(10) and supply tee(6) with hoses as shown in the figure.

NOTE: The hoses(9) should only be used here.

To ease installation, you may back off the supply tee up to 180 degrees. Ensure that there is no kinking of the hoses.

Insert the side body with washer(7) and nut(8) through mounting holes from bottom of the deck or bath tub rim(For 14428T-4, the side body with red mark on the left when facing the front of the faucet).

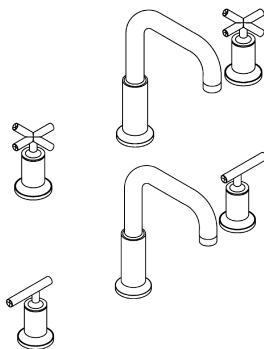
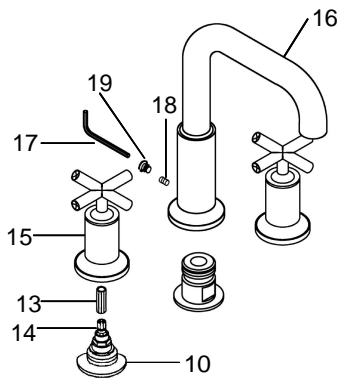
Install washer(11) and thread nut(12) with flange side down on each side body. Wrench to tighten nut(8).

如何安装把手和出水口

把齿套(13)按在阀轴(14)上,将把手组件(15)旋到阀体(10)上,直到与台面或浴缸边缘接触(面向龙头时,带红色垫片的把手安装在左侧)。

将出水口(16)插入牙管,直至出水口底面与台面或浴缸接触。用六角扳手(17)锁紧螺钉(18),然后将塞扣(19)塞入螺钉孔。

出水口及把手安装完毕,处于关闭状态的位置如图所示。



How To Install The Handles And Spout

Press the extension stem(13) onto the valve stem(14). Thread the assembled handle kit(15) to the side body(10) until it contacts the deck or bath tub rim (The handle with the red washer on the left when facing the front of the faucet).

Insert the spout(16) to the shank until the bottom of it contacts the deck or bath tub. Tighten the screw(18) by hex wrench(17) provided, then insert the plug button(19) into rear hole.

The configuration shown is the correct position of the handles in the closed position.

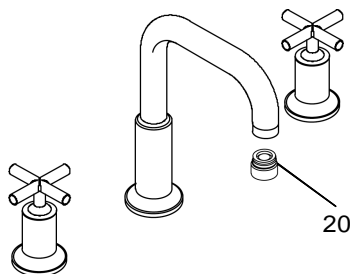
安装结果检查

确保已拧紧所有连接处。确保把手在关的位置。

取下起泡器(20)。

打开主供水源,检查并修理有漏水的接口。

打开冷热水阀,使水流过出水口,除掉杂物。关闭阀,重新装回起泡器。



INSTALLATION CHECKOUT

Ensure that all connections are tight. Ensure that the handles are in the off position.

Remove the aerator(20).

Turn on the main water supply and check for leaks. Repair as required.

Open both hot and cold valves and run water through the spout to remove any debris. Turn off the valves. Reinstall the aerator.

清理说明

适用于所有加工处理过的表面:以中性肥皂水清洗镀层表面,再以干净的软布彻底擦干整个表面,许多清洁剂,比如氨水、去污粉及洁厕灵,会对电镀表面造成伤害,切忌使用。

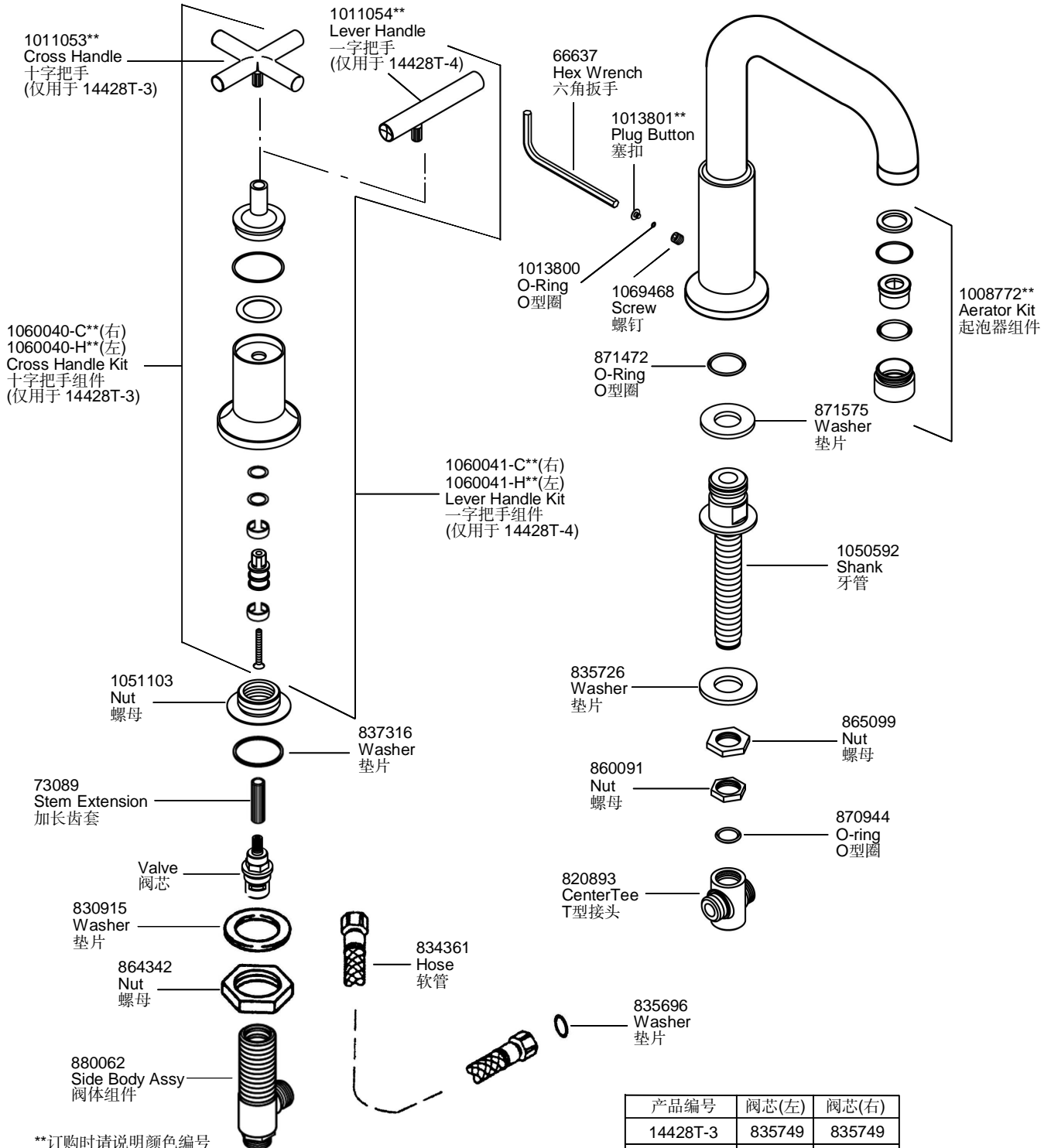
有磨损性的清洁用具或清洁剂也不可适用于科勒牌的水龙头及其配件上。

CLEANING INSTRUCTIONS

All Finishes: Clean the finish with mild soap and warm water. Wipe entire surface completely dry with clean soft cloth. Many cleaners may contain chemicals, such as ammonia or chlorine, toilet cleaner etc., which could adversely affect the finish and are not recommended for cleaning.

Do not use abrasive cleaners or solvents on Kohler faucets and fittings.

14428T 缸边(台面)式浴缸龙头



**订购时请说明颜色编号

**Color code must be specified when ordering.

| 产品编号 | 阀芯(左) | 阀芯(右) |
|----------|--------|--------|
| 14428T-3 | 835749 | 835749 |
| 14428T-4 | 835749 | 835750 |