

SS, SCR-W, 1D1P SHP, 8mm
不锈钢夹子房, 一字型, 一固一活, 上墙铰链, 8mm
K-76559T-L-SHP
SS, SCR-W, 1D1P SHP, 10mm
不锈钢夹子房, 一字型, 一固一活, 上墙铰链, 10mm
K-76572T-L-SHP

BEFORE YOU BEGIN

安装之前


- Before you install your shower door, please read these instructions carefully to familiarize yourself with the required tools, materials, and installation sequences. Follow the sections that pertain to your particular installation. This will help you avoid costly mistakes. In addition to proper installation, read all operating and safety instructions.
- All information is based on the latest product information available at the time of publication. Kohler China Ltd. reserves the right to make changes in product characteristics, packaging, or availability at any time without notice.
- These instructions contain important care, cleaning, and warranty information-**please leave these instructions for the consumer.**
- Make sure that the bath and the finished wall material are completely and correctly installed prior to installing your shower door. Prepare waterproof layer to wall and floor of the showering area. It is not allowed for any presence of electric switches and sockets. Make sure the floor drain runs smoothly.
- Before starting the door installation, lay out and identify all the parts. Use the exploded view illustrated on page 2 for reference.
- For the installation method of customized shower with different dimensions, please refer to this instructions.
- The product complies with QB 2584-2007.

CAUTION: Risk of injury or product damage.

Tempered glass cannot be cut, drilled or knocked by hard object. Make sure corner area of the glass refraining from knocking so as to cause personal injury due to broken glass.

ATTENTION: Please install this door on Kohler receptors or curbs (Not included). If the curb is not Kohler-branded, please note its top width should fall above 80mm.

IMPORTANT: The shower door requires a flat vertical finished wall. The squareness of the wall is recommended no more than 3 mm/m. KOHLER Company won't take responsibility of the installation quality.

- 在您安装淋浴房之前, 请您仔细阅读此说明书以熟悉所需要的工具、材料及安装顺序。遵循适合您的特定安装要求的各项内容, 避免昂贵的损失。除了要正确安装外, 还应阅读所有的操作及安全说明。
- 说明书中所有的资料是按最新出版的产品资料编写而成。科勒中国有限公司保留任何时候无须通知即可改变产品特性、包装或产品可供类型的权利。
- 说明书包括重要的安装、清洁及保养方面的内容, 请把这些资料交给用户阅读, 保管。
- 确保在安装淋浴房之前已经完整正确地安装了浴室和完工墙面材料。淋浴区墙地面应做防水处理, 并不得布置有电器开关、插座。确保地面排水通畅。
- 在进行淋浴房安装之前, 请拿出、排列并确认所有的零部件。请参考第2页上所示的分解图。
- 对尺寸与本标准产品不同的定制淋浴房, 参照本说明书进行安装。
- 本产品符合QB 2584-2007。
 **警告:** 可能有人伤害或者产品损坏的危险。钢化玻璃不能进行切割, 钻孔或硬物敲击。搬移或安装过程中, 小心确保玻璃边、角部位不受撞击, 以防爆裂伤人。

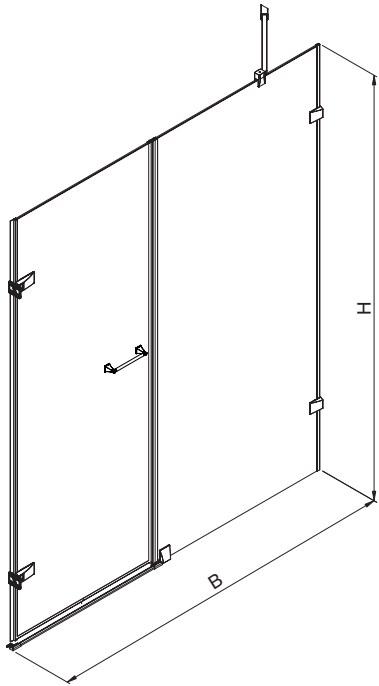
建议: 将本产品安装在科勒淋浴盆或挡水条上(需另行购买)。如自备挡水条, 建议顶面宽度尺寸为80mm以上。

重要事项: 淋浴房需要安装在平坦垂直的墙面上。墙面的垂直度推荐在正负3mm/m以内。如果超出此范围, 科勒公司将不保证淋浴房的完美使用。

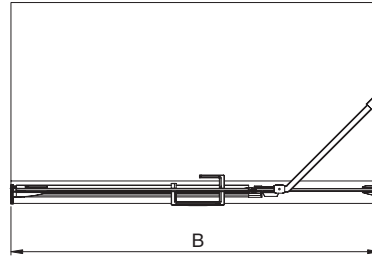
ROUGHING-IN

尺寸图

Unit: mm
单位: 毫米

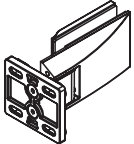
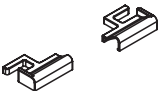







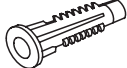
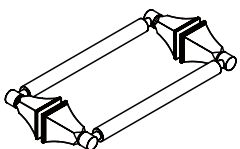





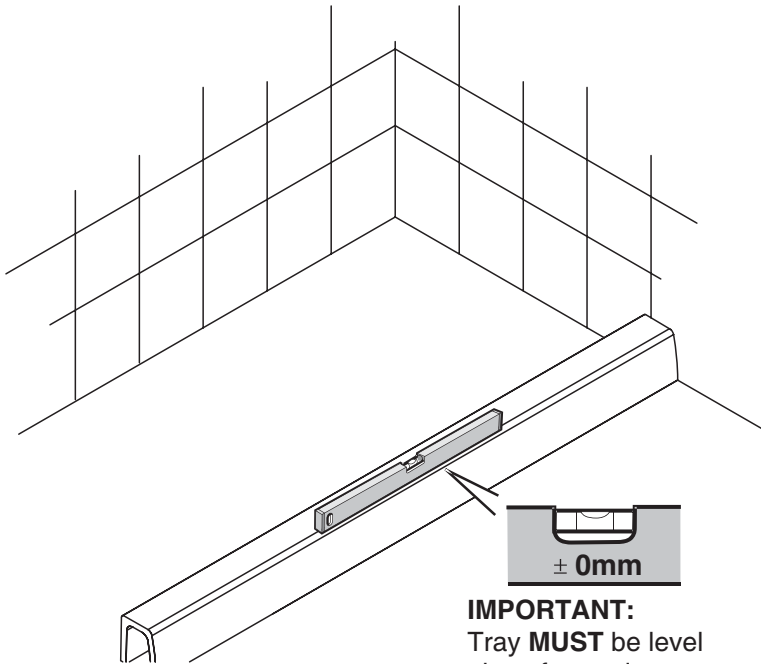
SKU	B	H
K-76559T	1200-1700	1850-2000
K-76572T		



PARTS IDENTIFICATION

零件识别

 <p>90 Deg Hinge Assy 90度铰链地夹组件 X2</p>	 <p>180 Deg End Cap Extrusion 180度挡水铝材连接件 左右各1</p>	 <p>Side Seal 侧边防水胶条 X1</p>  <p>Wall Side Seal 气泡胶条 X1</p>  <p>Magnetic Seal 磁条 1对</p>  <p>Bottom Seal 底部防水胶条 X1</p>
 <p>Bottom Clip Assy 地夹组件 X1</p>	 <p>Wall Clip Assy 墙夹组件 X2</p>	 <p>Screw 螺丝ST3.5X35 X6</p>  <p>Hollow Wall Anchor 入墙胶粒 X6</p>
 <p>Handle Assy 把手组件 X1</p>	 <p>Bracket Assy 拉手组件 X1</p>	 <p>4mm Allen Key 4mm六角扳手</p>  <p>3mm Allen Key 3mm六角扳手</p>



Mark the wall 20mm in from the front edge of the tray on both sides.
从挡水条两边向内偏20mm。

IMPORTANT

Tray must be level in all planes or door will not install properly.

重要：
底盘必须在各个面都保持水平，否则会影响之后淋浴房的安装。

IMPORTANT:

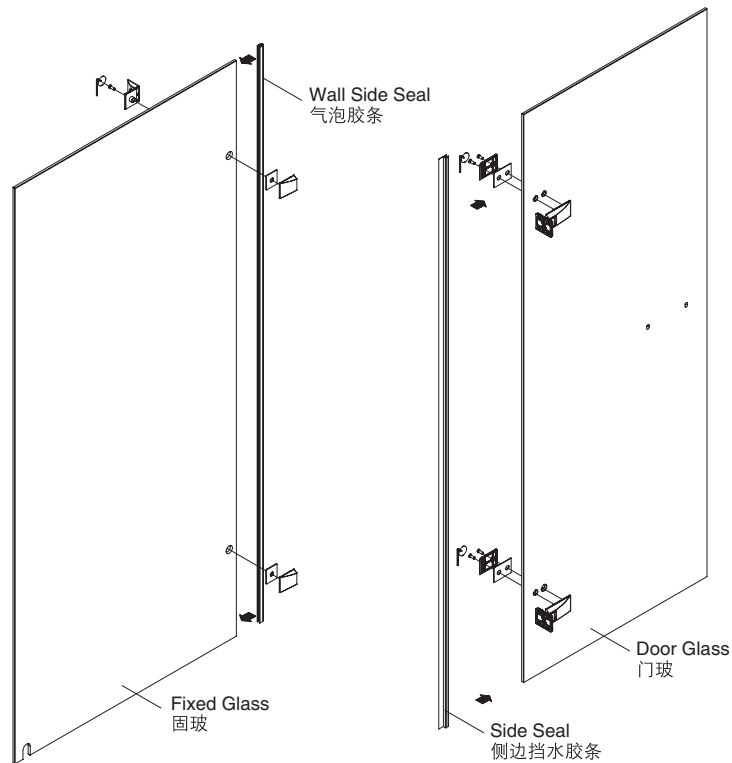
Tray **MUST** be level along front edge.

重要：
底盘必须水平。

STEP
1

Preparations: Install seals and hardware.

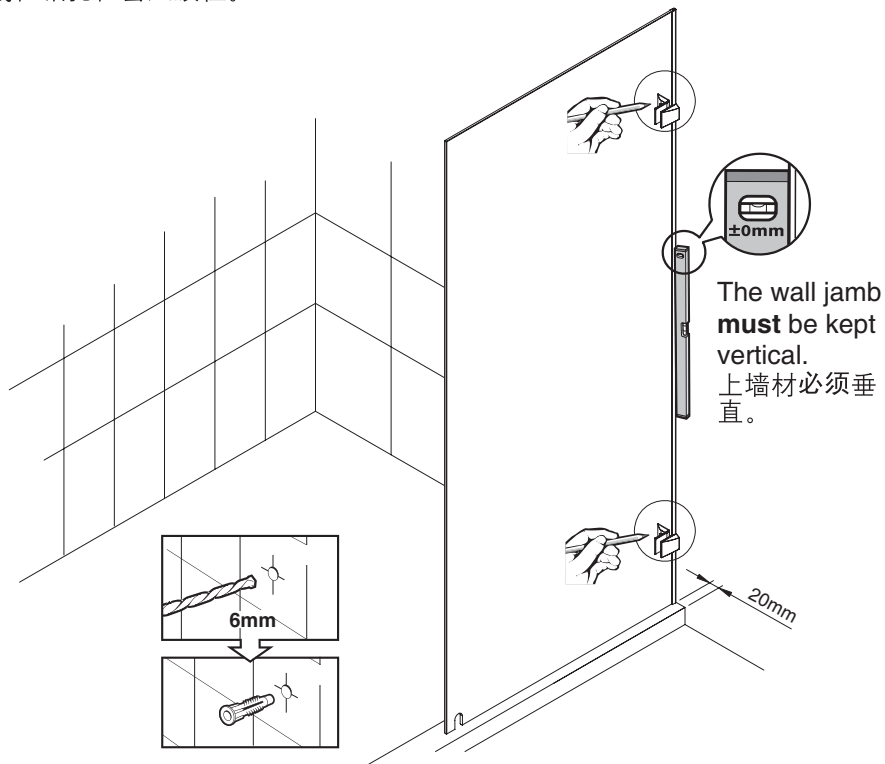
玻璃的准备工作：安装相应的胶条。安装相应的五金配件。



STEP
2

Mark lines, drill holes and insert anchors to install fixed glass.

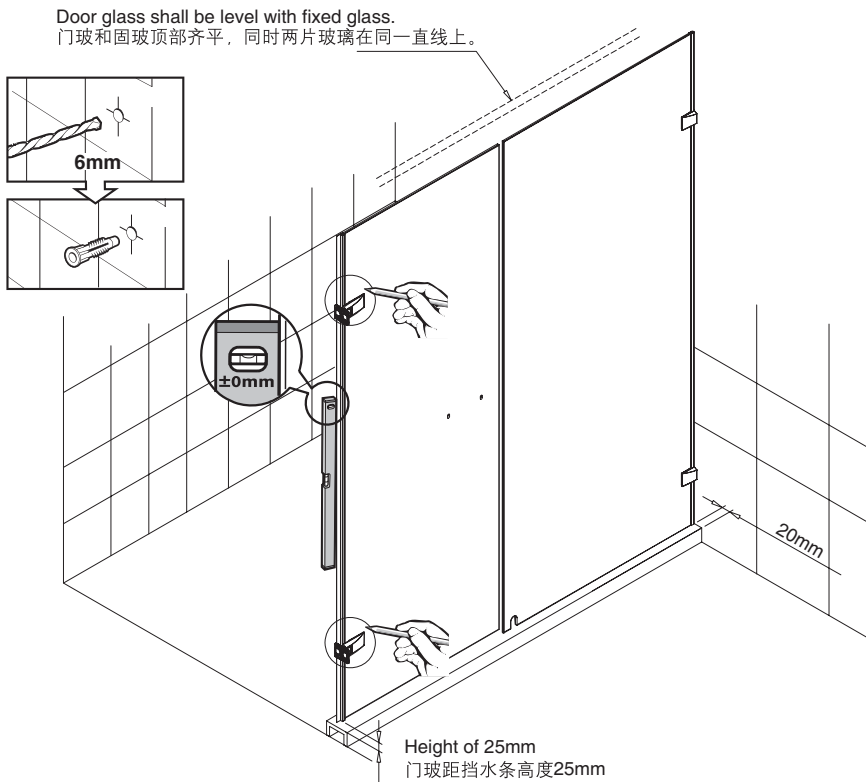
安装固玻，先画线，钻孔，套入胶粒。



STEP
3

Mark lines, drill holes and insert anchors to install door glass.

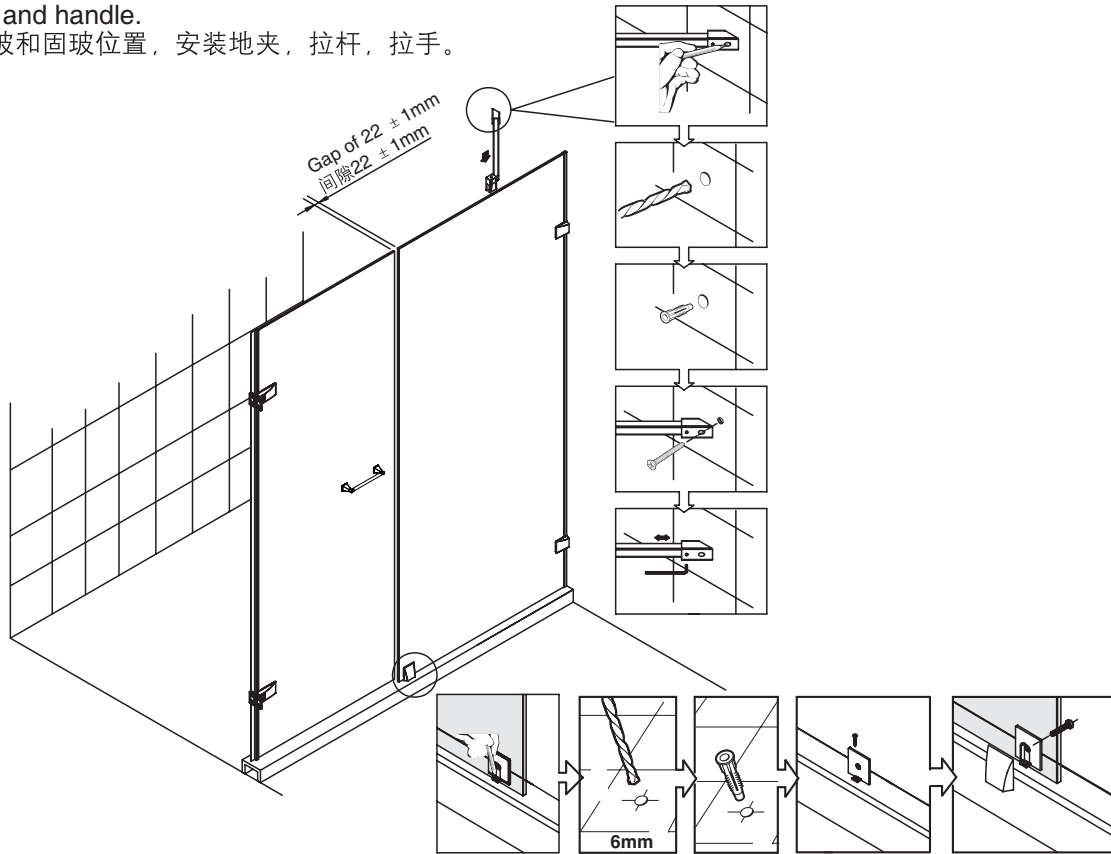
安装门玻，划线，钻孔，套入胶粒。



STEP
4

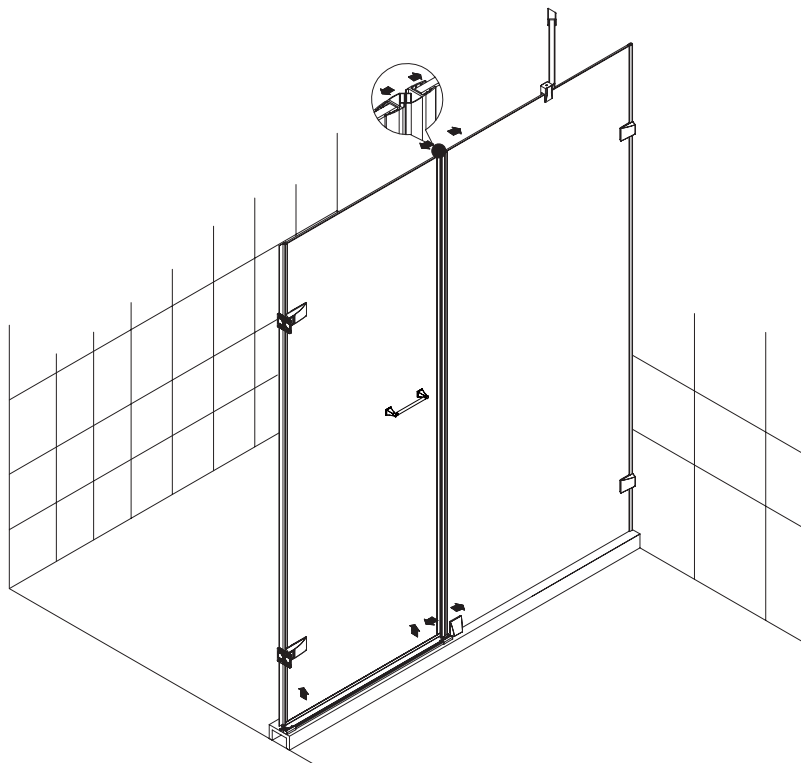
Adjust fixed glass and door glass. Fix bottom clip,
bracket and handle.

调节门玻和固玻位置，安装地夹，拉杆，拉手。



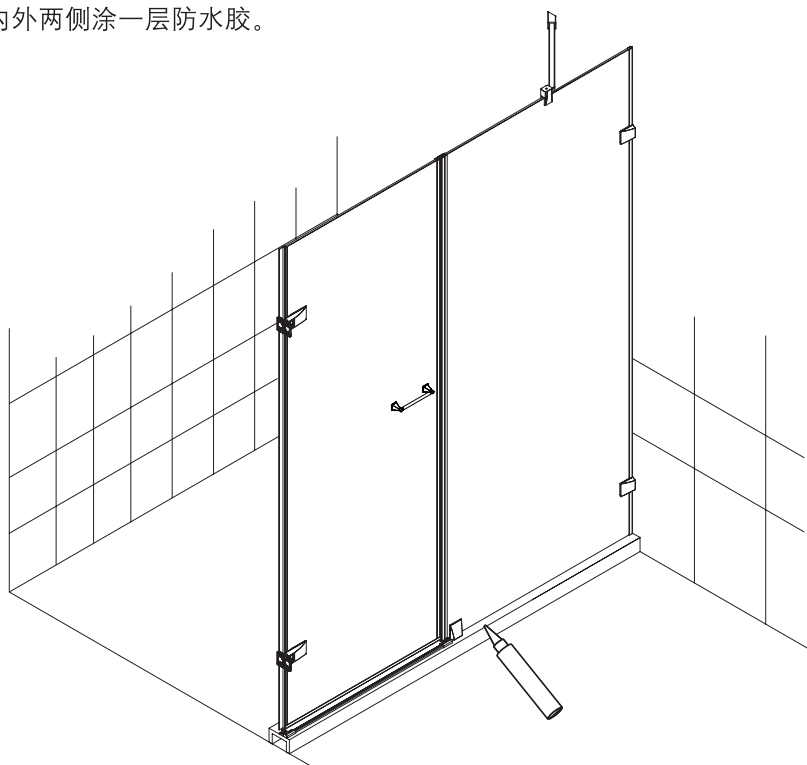
STEP
5

Fix magnetic seal and bottom threshold.
安装磁条和下挡水配件。



STEP
6

Apply silicone sealant to bottom of the fixed glass
and both sides of the bottom threshold.
固玻底部和挡水配件内外两侧涂一层防水胶。



STEP
7

Do not use the enclosure for at least 24 hours.
安装后24小时内请勿使用淋浴房。



STEP
8