

安装说明

非接触式小便器

记录您的型号：
Record your model number: _____

English, page 14

KOHLER®

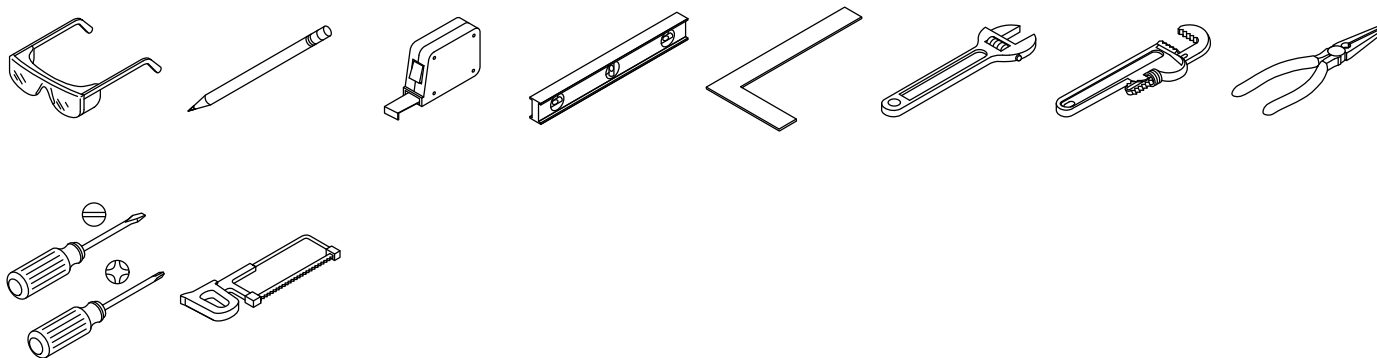
1538719-T2-C

感谢您选择科勒

需要帮助？请联系我们的客户服务中心。

- 中国大陆：+(86) 800-820-2628, +(86) 400-820-2628
- 中国香港、中国澳门、中国台湾：+(852) 3125-7728
- 保养和清洁：kohler.com.cn/support/care-and-cleaning/

所需工具和材料



其他所需的工具和材料：


- 便捷的木工工具和材料
- 钻孔设备
- 适量的螺丝
- AAA 电池 (2)
- PVC 胶
- 硅酮润滑脂
- 在安装过程中，使用支撑附件支撑小便器


产品规格

注：表中的传感器感应范围在测量时以一块 1-3/16"（300 mm） x 1-3/16"（300 mm）的板作为反射面。

电源	直流电源装置：两个 AAA 碱性电池 K-33894T-NA（单独售卖）
	交流/直流变压器输入：AC 220 V 50/60HZ K-16306T-NA（单独售卖）
冲水量	水压为 0.18 - 0.55 MPa 时：平均不超过 0.66 gpf (2.5 lpf) 水压为 0.1 MPa 时：不超过 0.66 gpf (2.5 lpf)
	水压为 0.18 - 0.55 MPa 时：平均不超过 0.13 gpf (0.5 lpf) 水压为 0.1 MPa 时：不超过 0.13 gpf (0.5 lpf)
温度	环境温度：34°F (1°C) - 131°F (55°C)
启动压力	0.05 MPa - 0.86 MPa
感应范围	距离传感器 27-9/16"（700 mm）
检测时间	大约 5 秒（自动调整）
冲洗方式	双重冲洗：0.66 加仑（2.5 升）
	使用后冲洗：0.66 加仑（2.5 升）

开始之前

 **警告：** 存在触电风险。维修前请先断开电源。

 **小心：** 存在人身伤害的风险。请小心操作本产品。如果粗心大意地操作本产品，玻璃瓷可能会碎裂或损坏。

注： 仅限直流供电：K-33894T 电池盒单独售卖。

打开包装并检查产品是否损坏。将产品放回纸箱直至安装。

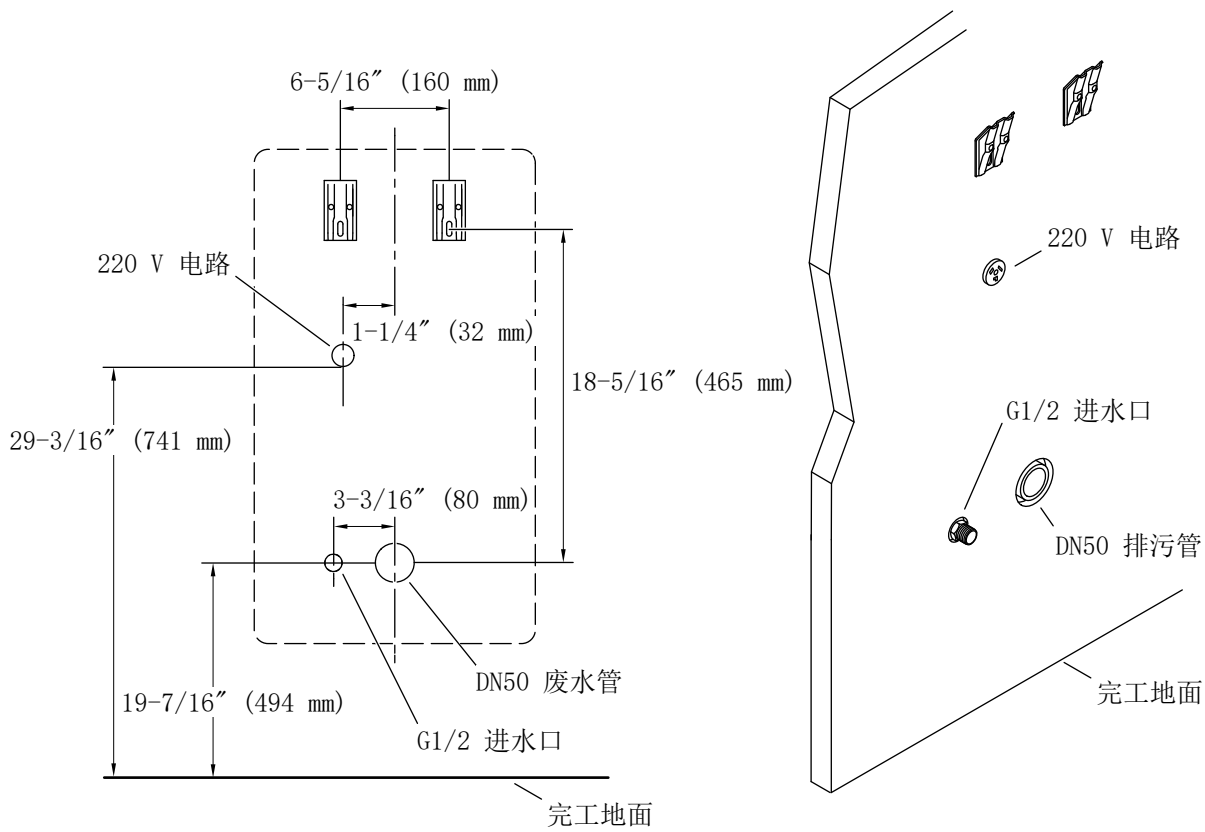
所显示的产品可能与您的实际产品不同。但安装步骤仍然适用。

本产品遵守 GB 6952-2015、GB 28377- 2019。

请遵守当地管道安装、建筑及电气条例。

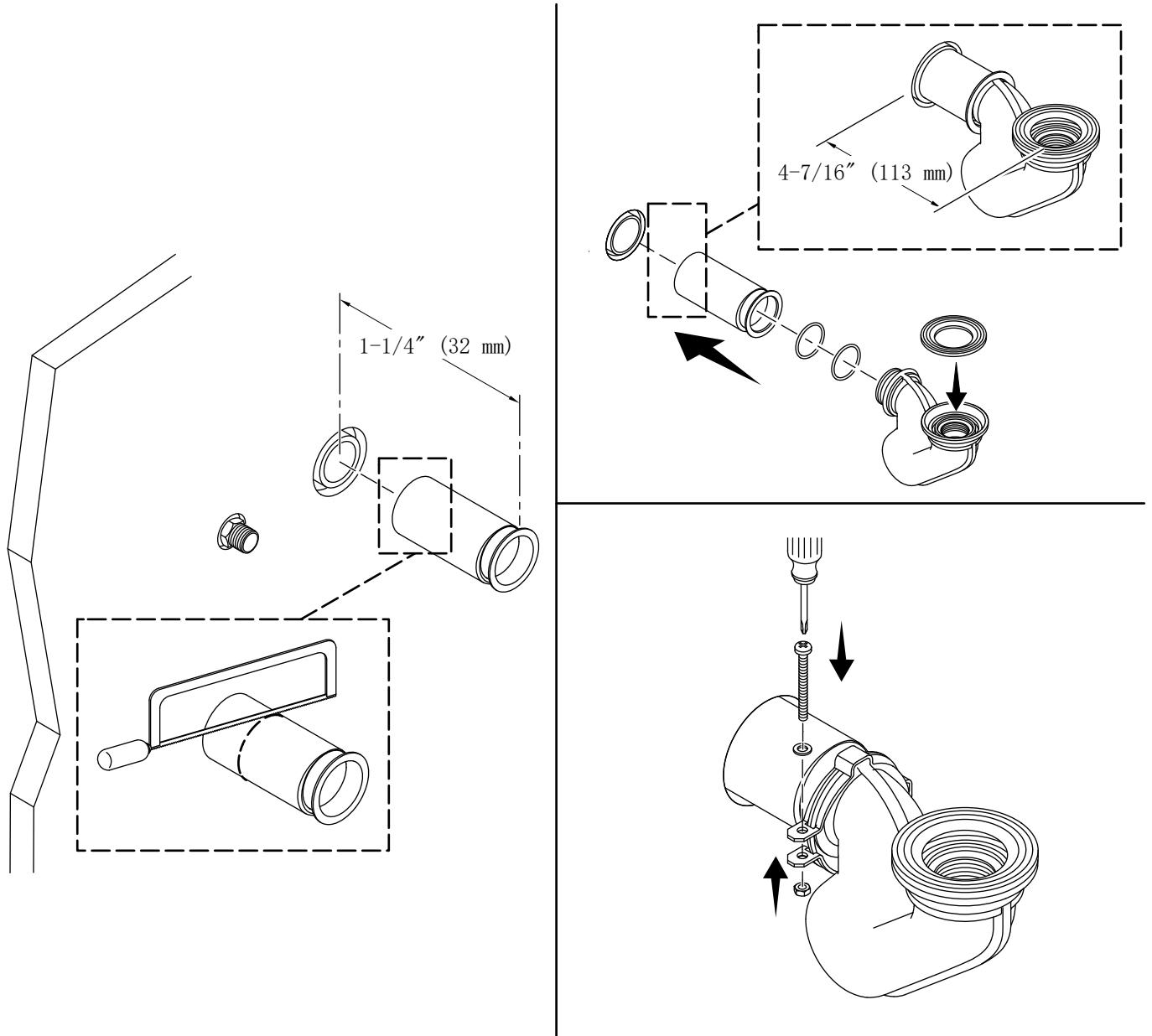
关闭供水系统。

1. 安装场地准备



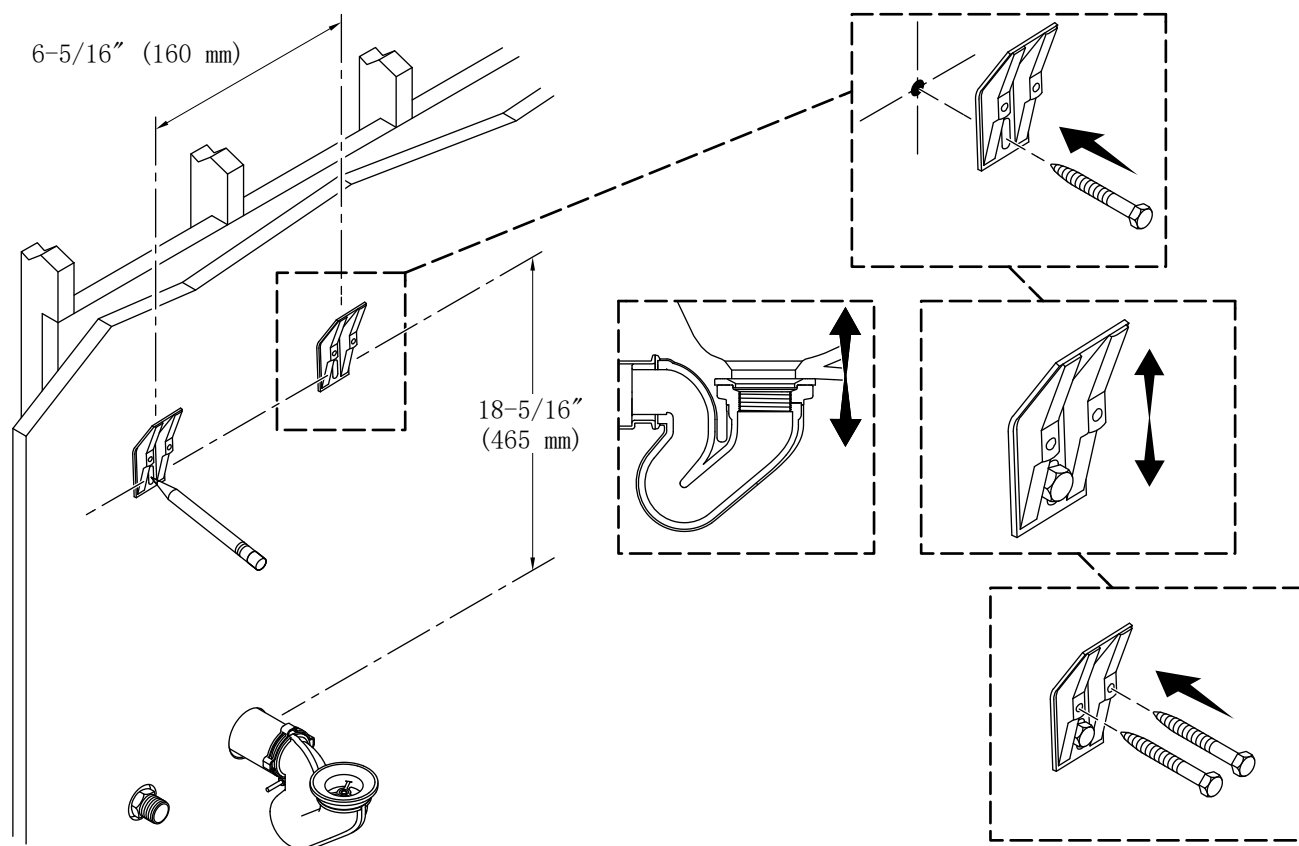
- 根据上述地排水安装 DN50 污水管。
- 根据上述地排水安装 G1/2 进水口。
- 安装止水阀。
- 仅限交流电源安装：** 为交流电源装置安装 220 V 电路。

2. 准备排污管道



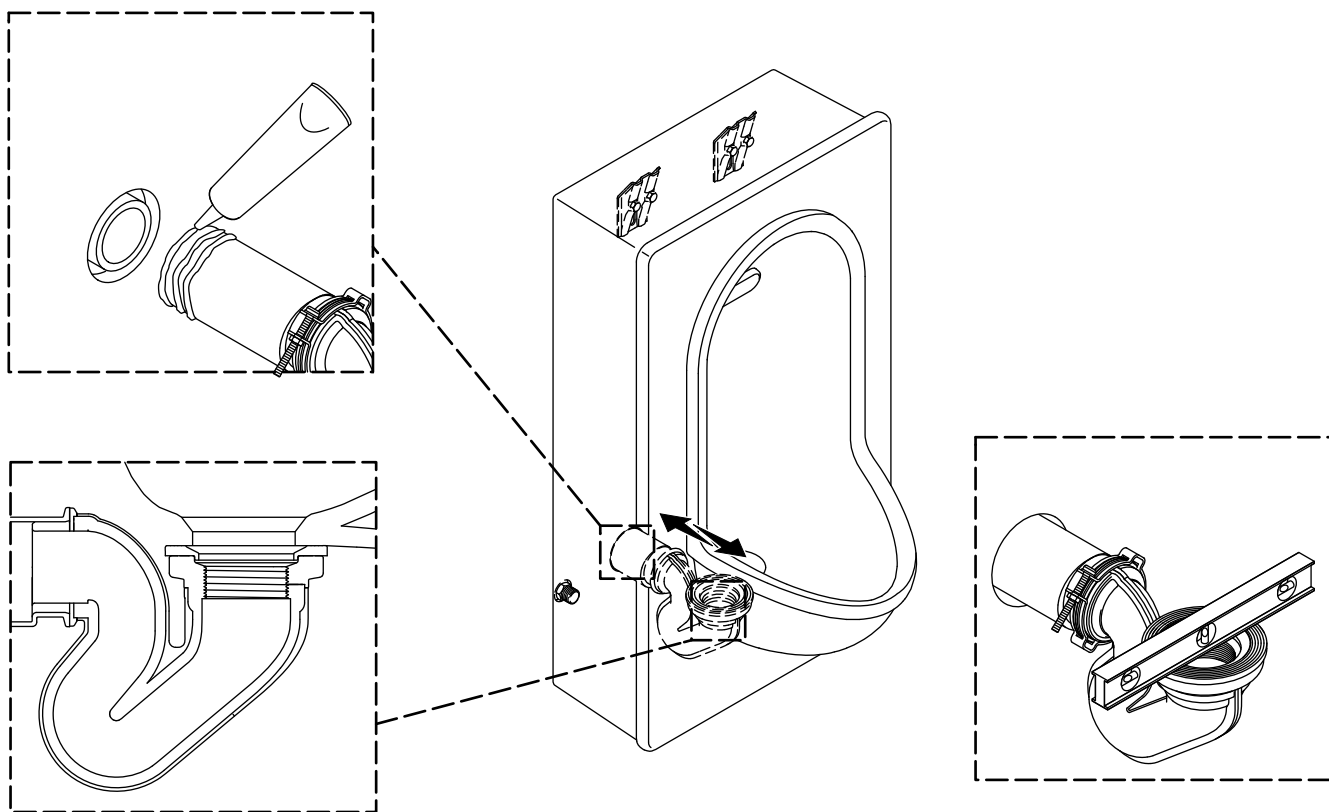
- 在距离成品墙 1-1/4" (32 mm) 处，宽松地将管道接头安装到污水管内。根据需要切割管道转接头。
- 组装存水弯道，核实存水弯道的中心是否距离成品墙 4-7/16" (113 mm)。
- 用卡箍将排污管道固定到管接头上。

3. 安装挂钩



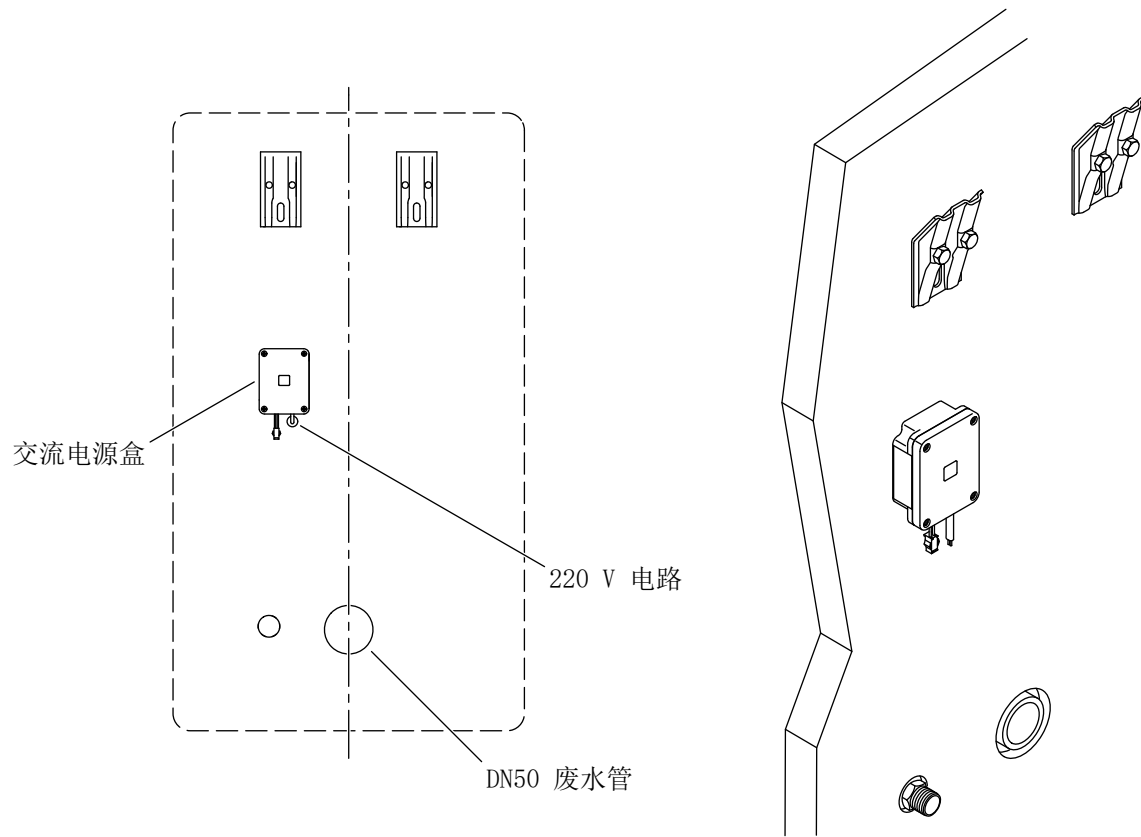
- 使墙壁挂钩的底部插槽位于污水管中央上方 18-5/16" (465 mm) 处。
- 使墙壁挂钩的中心彼此相距 6-5/16" (160 mm)，并标记螺丝底部插槽的中心。
- 在每个位置钻孔，然后穿过墙壁挂钩的底部插槽，不要拧紧螺丝。
- 小心地将小便器挂到墙壁挂钩上，核实小便器是否与排污通道对齐。
- 拆下小便器。
- 根据需要 will 墙壁挂钩向上或向下放置。
- 使用随附的螺丝固定墙壁挂钩。

4. 安装排污管道



- 将小便器挂到墙壁挂钩上。调整排污通道的延伸部分，使其与小便器对齐。
- 拆下小便器。
- 在管接头的外侧涂上 PVC 胶。
- 将管接头插入污水管。核实排污通道开口是否水平。

5. 交流电源 - 准备小便器



⚠ 警告：存在触电风险。在实施下列程序之前，请核实电气连接已断开。

注： 交流电源装置必须朝下，电线从底部出来。

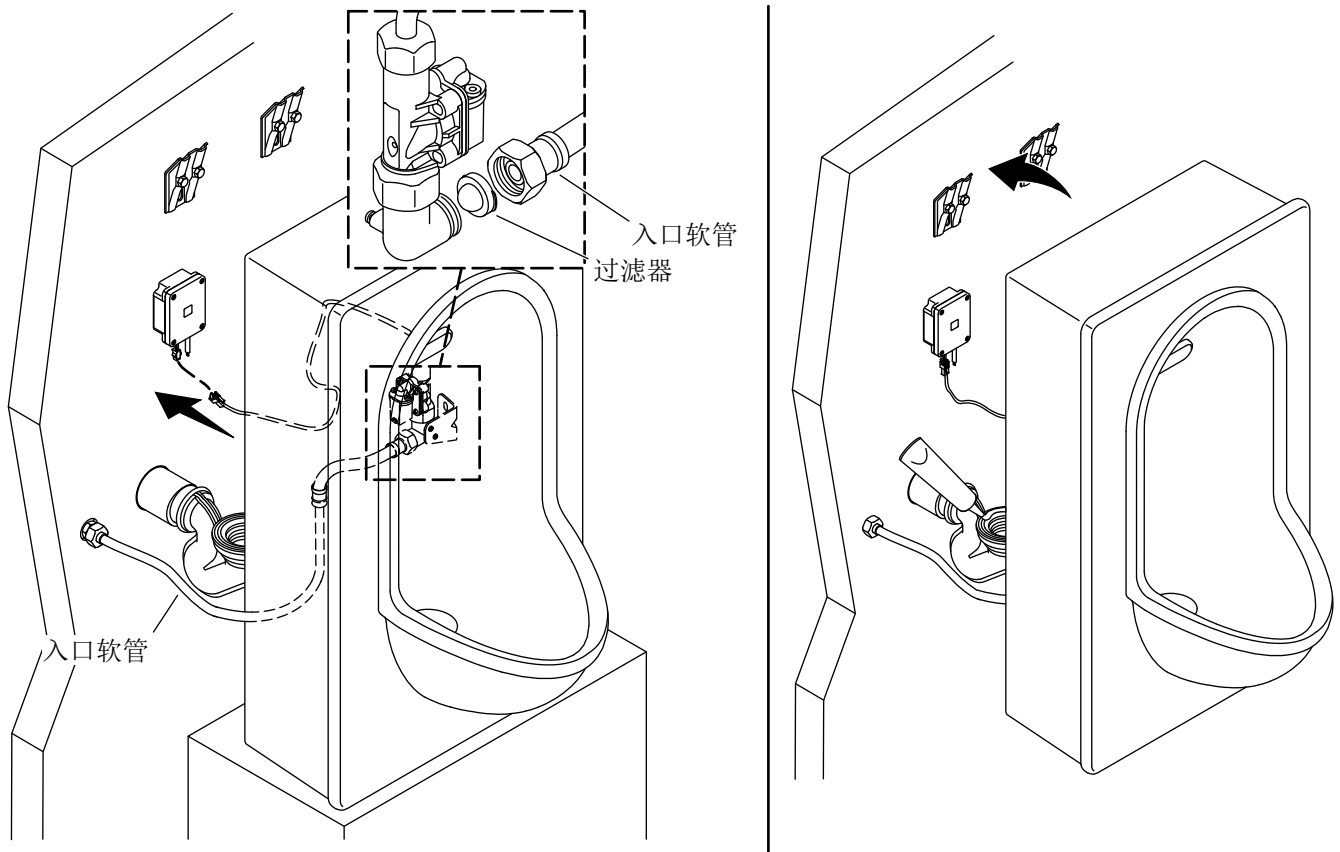
注： 请勿把 220 V 交流电源装置连接到直流接线端。

注： 为了避免漏电，请勿损坏交流电源装置盖板或卸下交流电源装置的螺丝。

注： 交流电源装置最多可为一个小便器传感器供电。

- 关闭供水系统。
- 将交流输入电源线连接到 220 V 电路。
- 安装交流电源装置，使该装置朝下。从交流电源装置背面的胶条上揭下盖子。将交流电源装置用力按压到墙壁上，使之粘附在墙壁上。

6. 交流电源 - 安装小便器



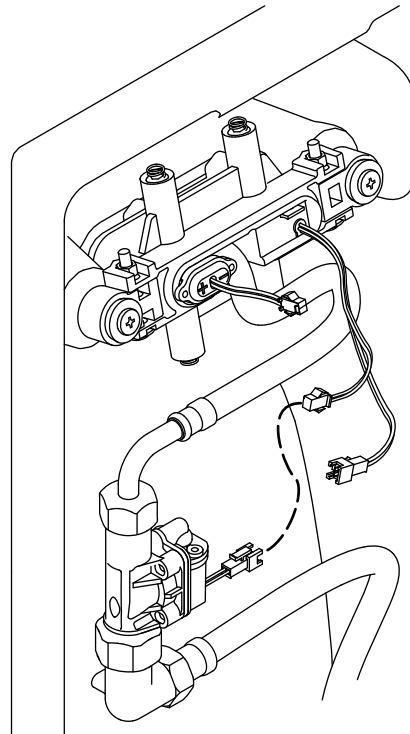
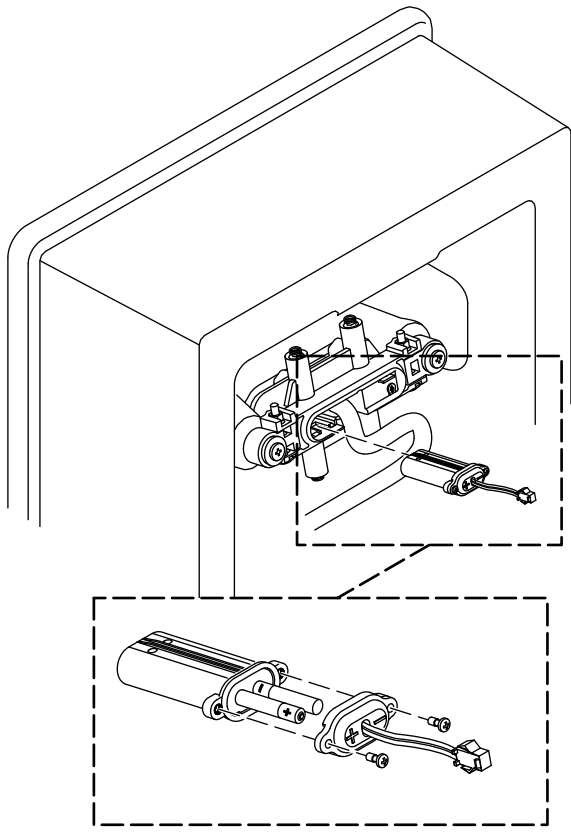
进行管道和电气连接

- 将滤网插入阀芯，然后将进水软管连接到小便器。用手拧不动后，再拧紧 1/2 圈。
- 将小便器放在支架上。将进水软管连接到供水系统管路。用手拧不动后，再拧紧 1/2 圈。
- 将交流电源装置连接到同一颜色的传感器电线。

悬挂小便器

- 向存水弯道上的密封垫圈涂抹硅酮润滑脂。
- 悬挂小便器。**请勿夹压或扭结进水软管。**

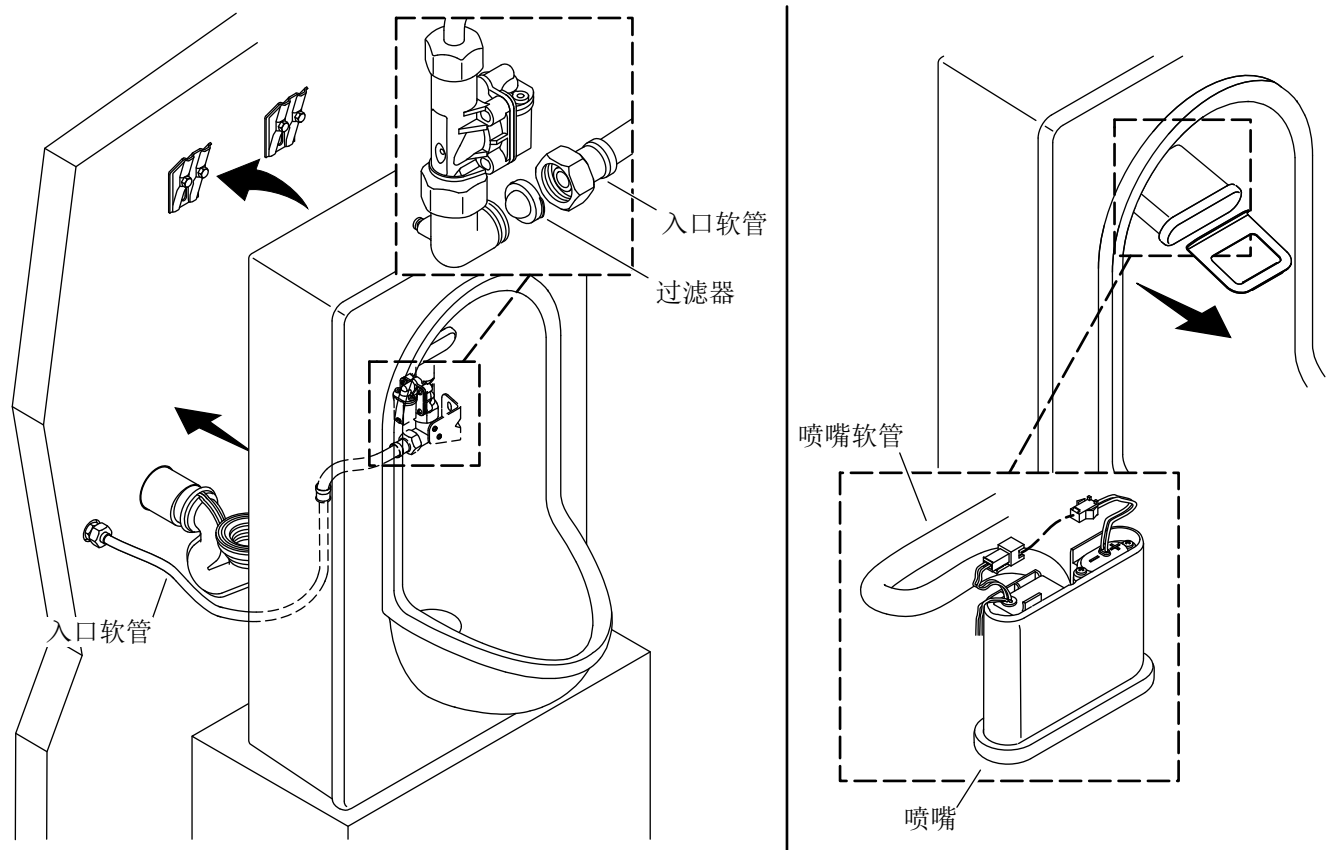
7. 直流电源 - 准备小便器



注：K-33894T 电池盒单独售卖。

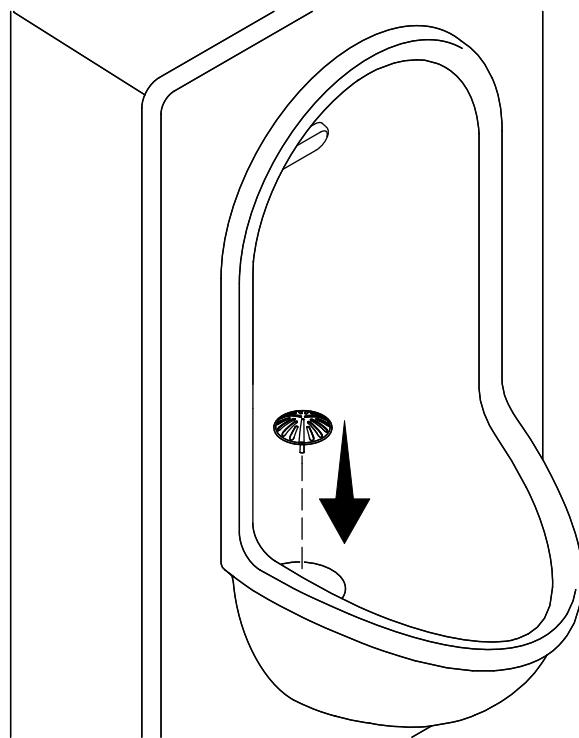
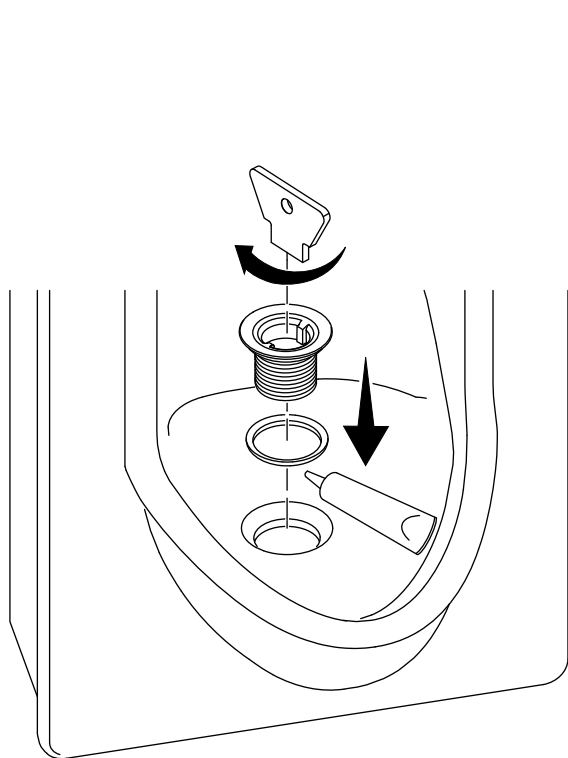
- 安装 2 个 AAA 电池（未提供）。
- 组装电池盒，将电池盒安装到喷嘴内。
- 请勿将电池盒电线连接到传感线电线上。
- 请核实传感器电线是否已连接到阀门线上。

8. 直流电源 - 安装小便器



- 将滤网插入阀芯，然后将进水软管连接到小便器。用手拧不动后，再拧紧 1/2 圈。
- 将小便器放在支架上。将进水软管连接到供水系统管路。用手拧不动后，再拧紧 1/2 圈。
- 向存水弯道上的垫圈涂抹适量的密封剂。
- 悬挂小便器。**请勿夹压或扭结进水软管。**
- 使用所提供的工具从小便器拉出喷嘴，然后将喷嘴挂到喷嘴软管上。
- 将电池盒电线连接到传感器电线。
- 将喷嘴重新安装到小便器内。

9. 安装下水器。



- 向密封垫圈底部涂抹硅酮润滑脂。
- 使用所提供的工具手动拧紧套环。
- 安装下水器。

Installation Instructions

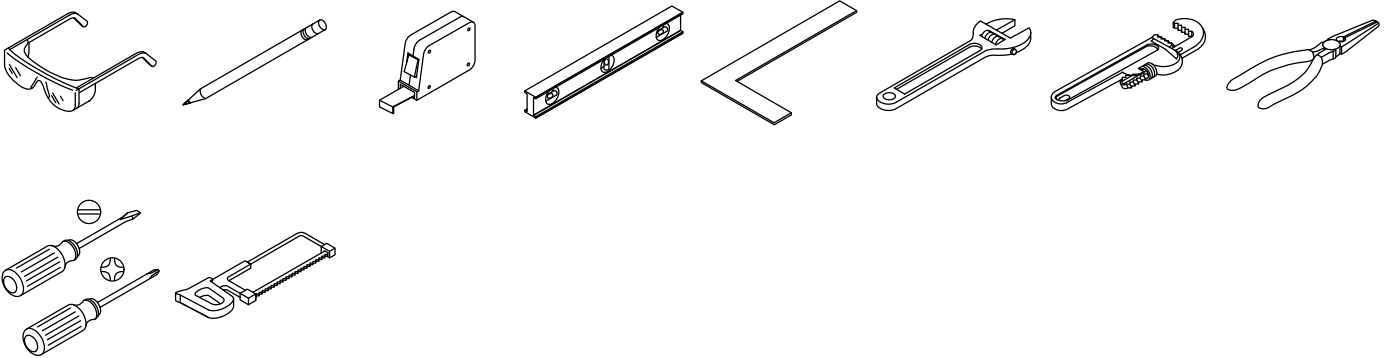
Touchless Urinal

Thank You for Choosing KOHLER

Need help? Contact our Customer Care Center.

- Mainland China: +(86) 800-820-2628, +(86) 400-820-2628
- Hong Kong (China), Macau (China), Taiwan (China): +(852) 3125-7728
- Care and cleaning: kohler.com.cn/support/care-and-cleaning/

Required Tools and Materials



Additional Required Tools and Materials:


- Conventional woodworking tools and materials
- Hole Cutting Equipment
- Appropriate Screws
- AAA Batteries (2)
- PVC Glue
- Silicone Lubricating Grease
- Stand to support the urinal during installation


Product Specifications

NOTE: The sensor distance in the table is measured with a 1-3/16" (300 mm) x 1-3/16" (300 mm) reflecting surface.

Power	DC power unit: two AAA size alkaline batteries K-33894T-NA (Sold Separately)
	AC/DC transformer input: AC 220 V 50/60HZ K-16306T-NA (Sold Separately)
Flushing Water Volume	Water pressure at 0.18 - 0.55 MPa: Average no more than 0.66 gpf (2.5 lpf) Water pressure at 0.1 MPa: no more than 0.66 gpf (2.5 lpf)
	Water pressure at 0.18 - 0.55 MPa: Average no more than 0.13 gpf (0.5 lpf) Water pressure at 0.1 MPa: No more than 0.13 gpf (0.5 lpf)
Temperature	Environmental temperature: 34°F (1°C) - 131°F (55°C)
Starting Pressure	0.05 MPa - 0.86 MPa
Sensing Distance	27-9/16" (700 mm) away from sensor
Testing Time	About 5 seconds (Automatic adjustment)
Flushing Mode	Dual flushing: 0.66 gal (2.5 L)
	Flushing after used: 0.66 gal (2.5 L)

Before You Begin

 **WARNING: Risk of electric shock.** Disconnect the power before servicing.

 **CAUTION: Risk of personal injury.** Handle this product with care. Vitreous china can break or chip if the product is handled carelessly.

NOTE: DC Power Installations Only: Battery Box K-33894T sold separately.

Unpack and inspect the product for damage. Return the product to the carton until installation.

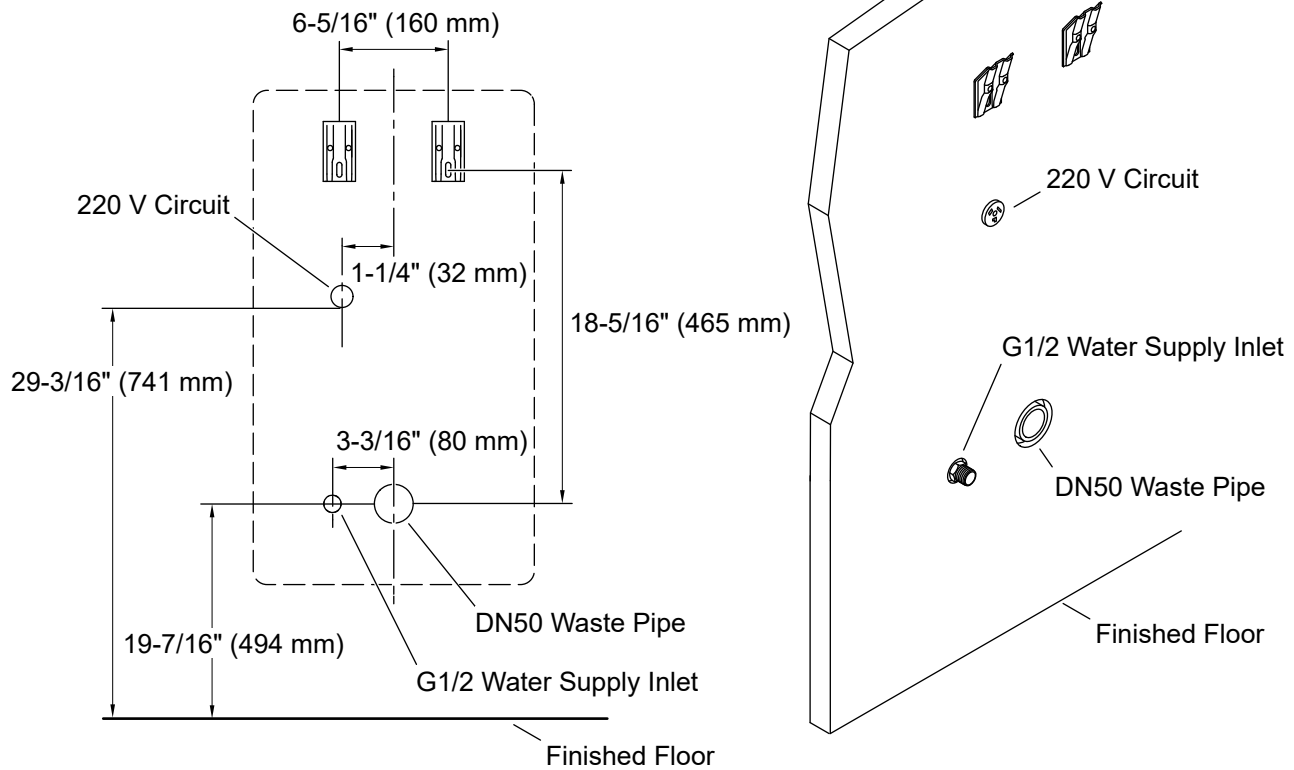
The product shown may differ from your actual product. The installation steps still apply.

The product complies with GB 6952-2015, GB 28377- 2019.

Follow all local plumbing, building, and electrical codes.

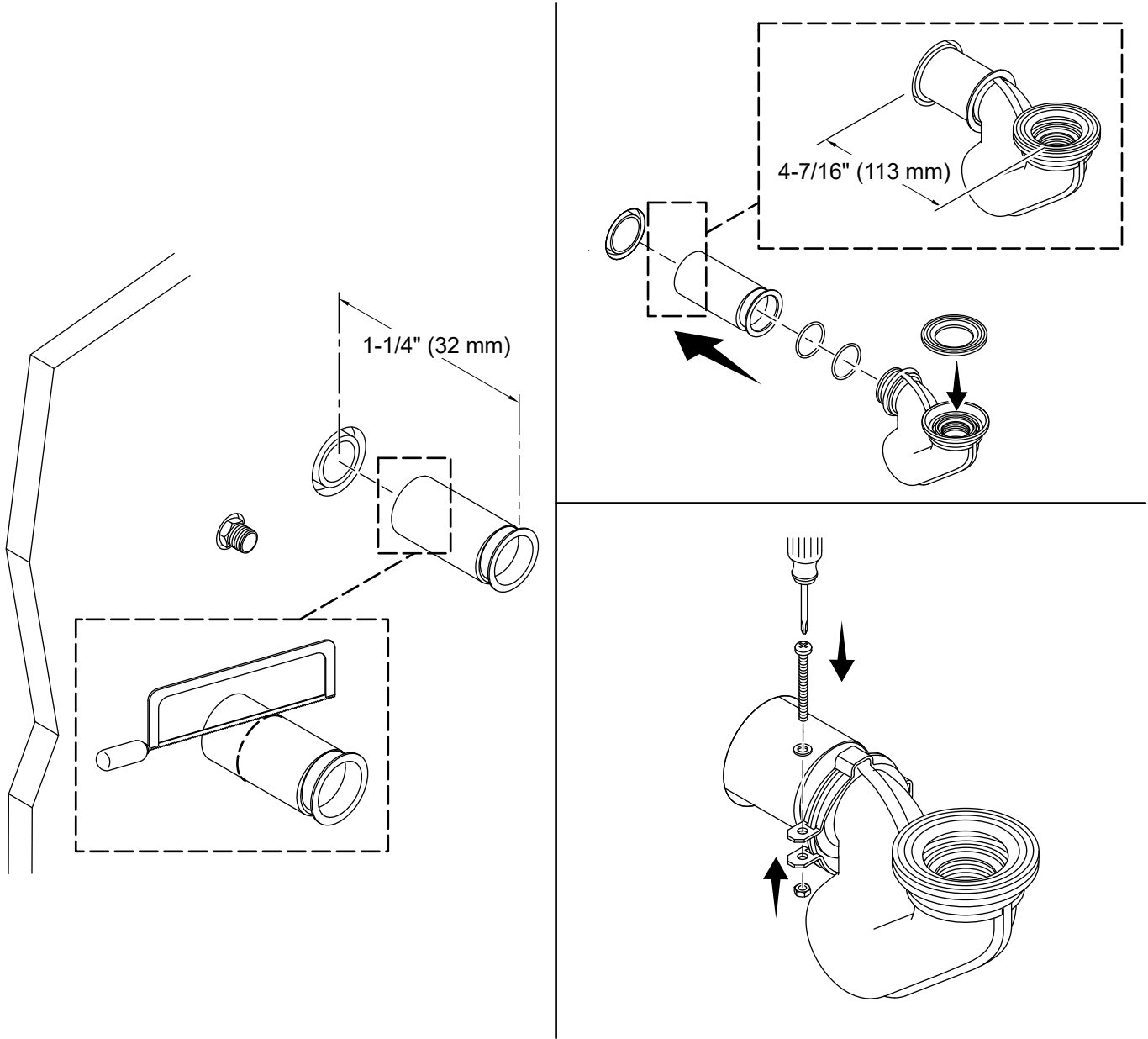
Turn OFF the water supply.

1. Prepare the Site



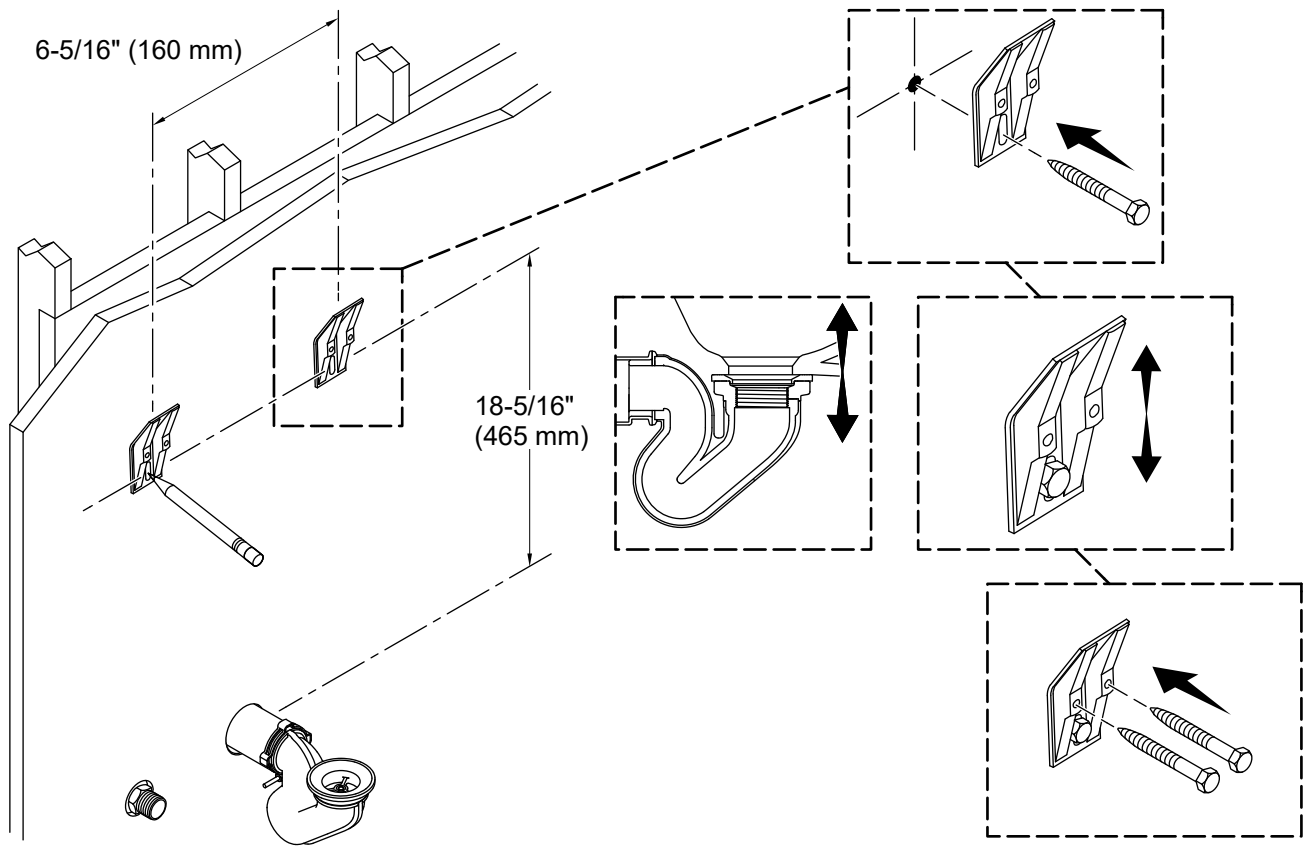
- Install a DN50 waste pipe according to the roughing-in above.
- Install a G1/2 water supply inlet according to the roughing-in above.
- Install the shut-off valve.
- AC Power Install Only:** Install a 220 V circuit for the AC power unit.

2. Prepare the Trapway



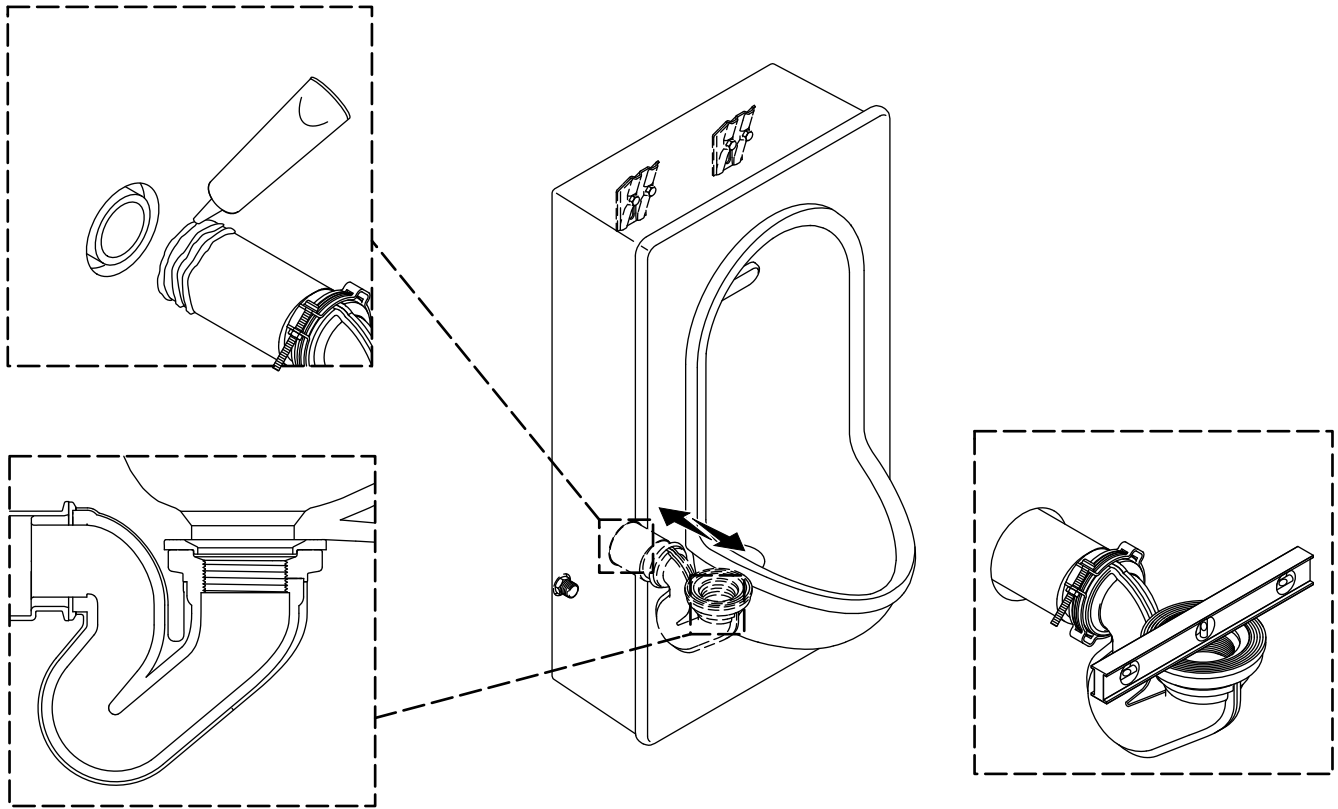
- Loosely install the tube adapter inside the waste pipe 1-1/4" (32 mm) beyond the finished wall. Cut the tube adapter as needed.
- Assemble the trapway and verify that the center of the trapway is 4-7/16" (113 mm) from the finished wall.
- Secure the trapway to the tube adapter with the clamp.

3. Install the Wall Hangers



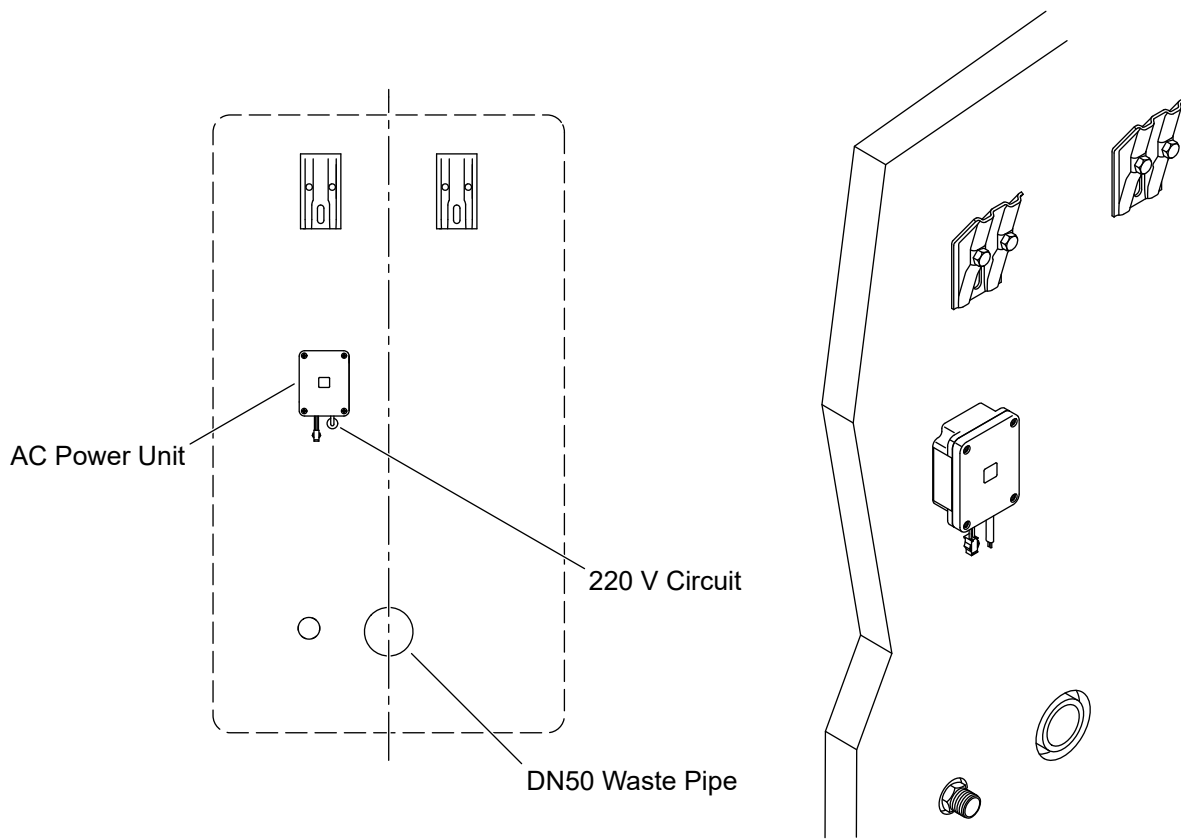
- Position the bottom slot of the wall hangers 18-5/16" (465 mm) above the center of the waste pipe.
- Position the center of the wall hangers 6-5/16" (160 mm) apart and mark the center of the bottom slot for the screws.
- Drill the holes at each location and loosely install a screw through the bottom slot of the wall hanger.
- Carefully hang the urinal on the wall hangers to verify that the urinal will align with the trapway.
- Remove the urinal.
- Position the wall hangers up or down as needed.
- Secure the wall hangers with the provided screws.

4. Install the Trapway



- Position the urinal on the wall hangers. Adjust the extension of the trapway to align with the urinal.
- Remove the urinal.
- Apply PVC glue to the outside of the tube adapter.
- Insert the tube adapter into the waste pipe. Verify that the opening of the trapway is level.

5. AC Power - Prepare the Urinal



⚠ WARNING: Risk of electric shock. Verify that the electrical power has been disconnected before performing the following procedures.

NOTE: The AC power unit must face downward with the wires coming from the bottom.

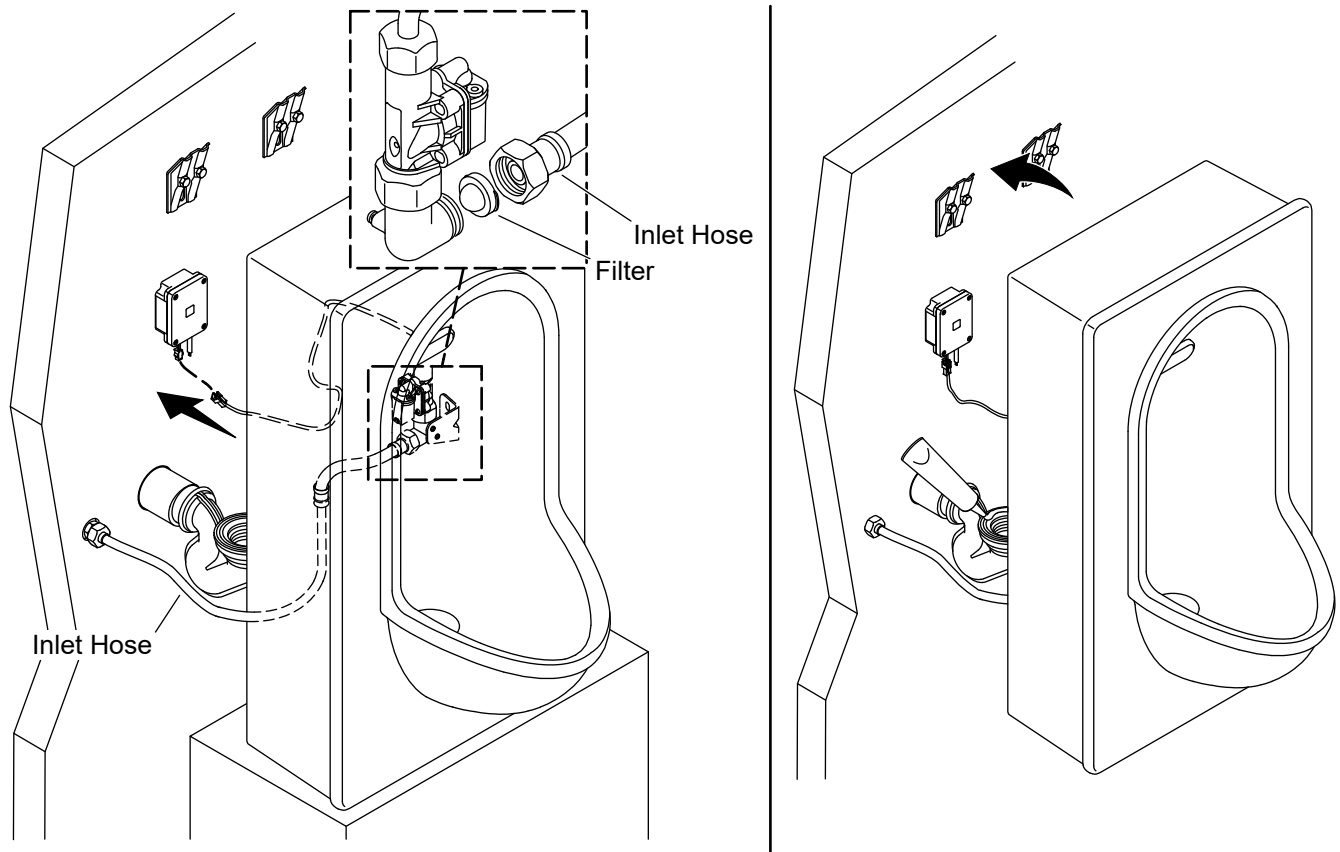
NOTE: Do not connect 220 V AC power unit to DC wiring terminal.

NOTE: To avoid leakage, do not damage the covering of the AC power unit or remove the screws from the AC power unit.

NOTE: The AC power unit can supply power only to one urinal sensor.

- Turn OFF the water supplies.
- Connect the AC input wire to the 220 V circuit.
- Install the AC power unit facing downward. Peel the cover from the adhesive on the back of the AC power unit and press the AC power unit firmly against the wall to adhere.

6. AC Power - Install the Urinal



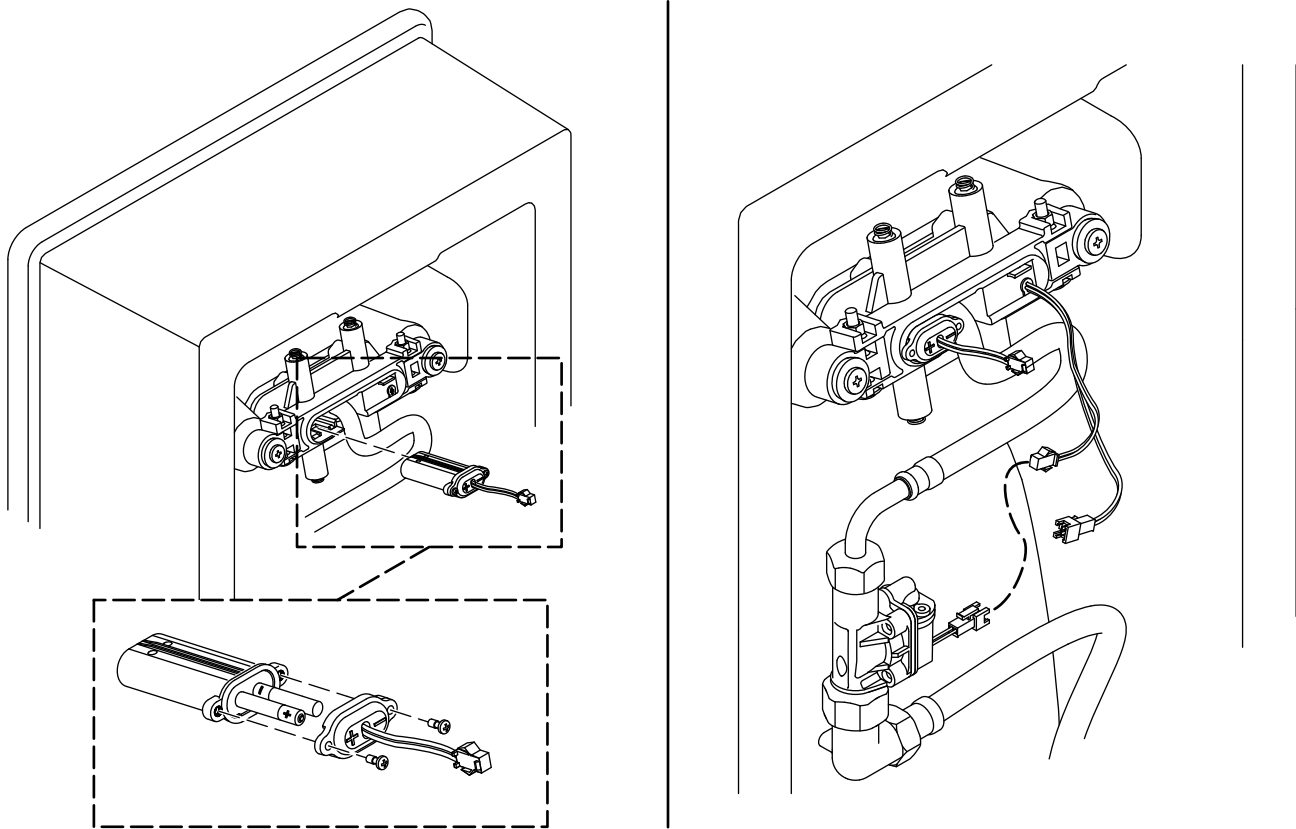
Make the Plumbing and Electrical Connections

- Insert the filter within the valve and then attach the inlet hose to the urinal. Tighten 1/2-turn past hand-tight.
- Support the urinal on a stand. Connect the inlet hose to the water supply line and tighten 1/2-turn past hand-tight.
- Connect the AC power unit to the sensor wire of the same color.

Hang the Urinal

- Apply silicone lubricating grease to the gasket on the trapway.
- Hang the urinal. **Do not pinch or kink the inlet hose.**

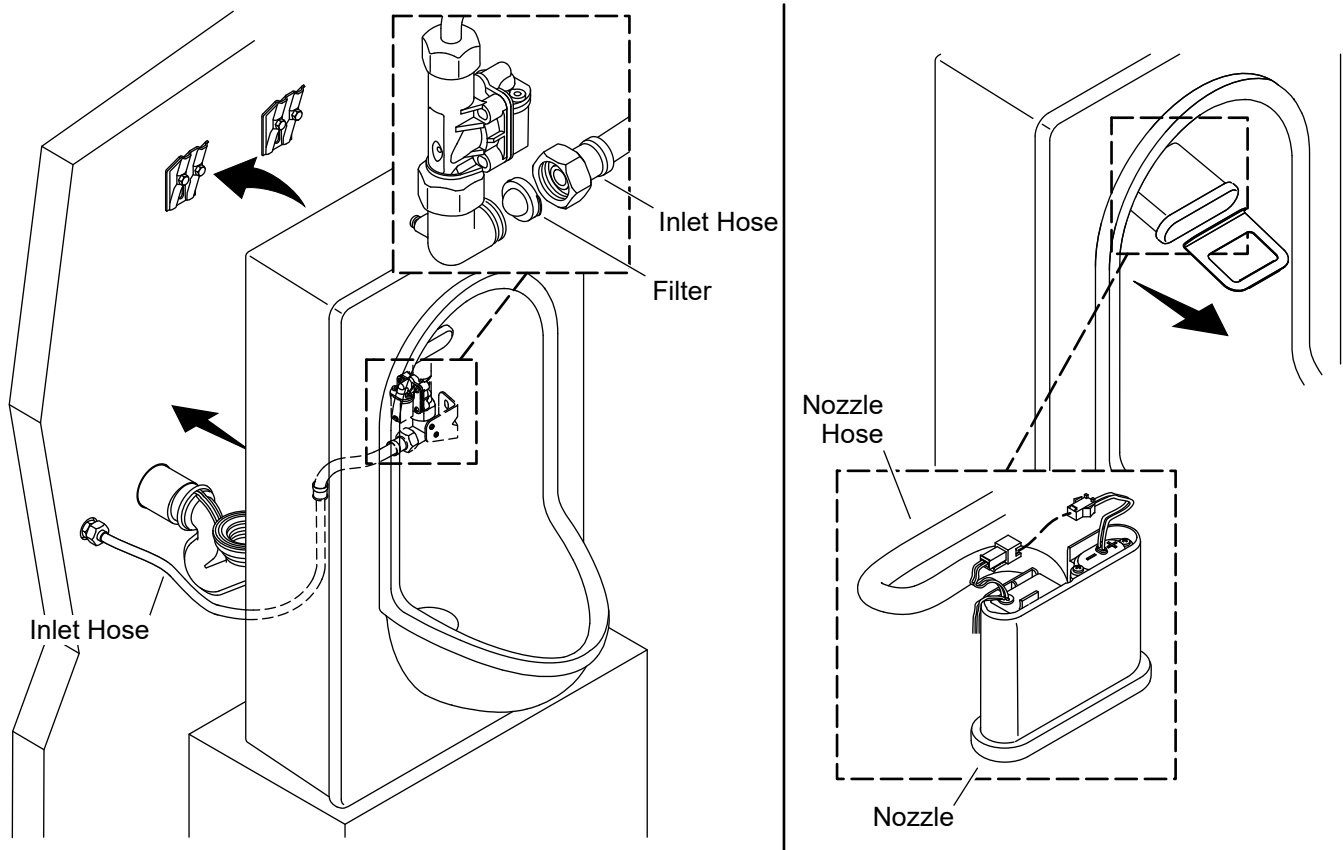
7. DC Power - Prepare the Urinal



NOTE: Battery box K-33894T sold separately.

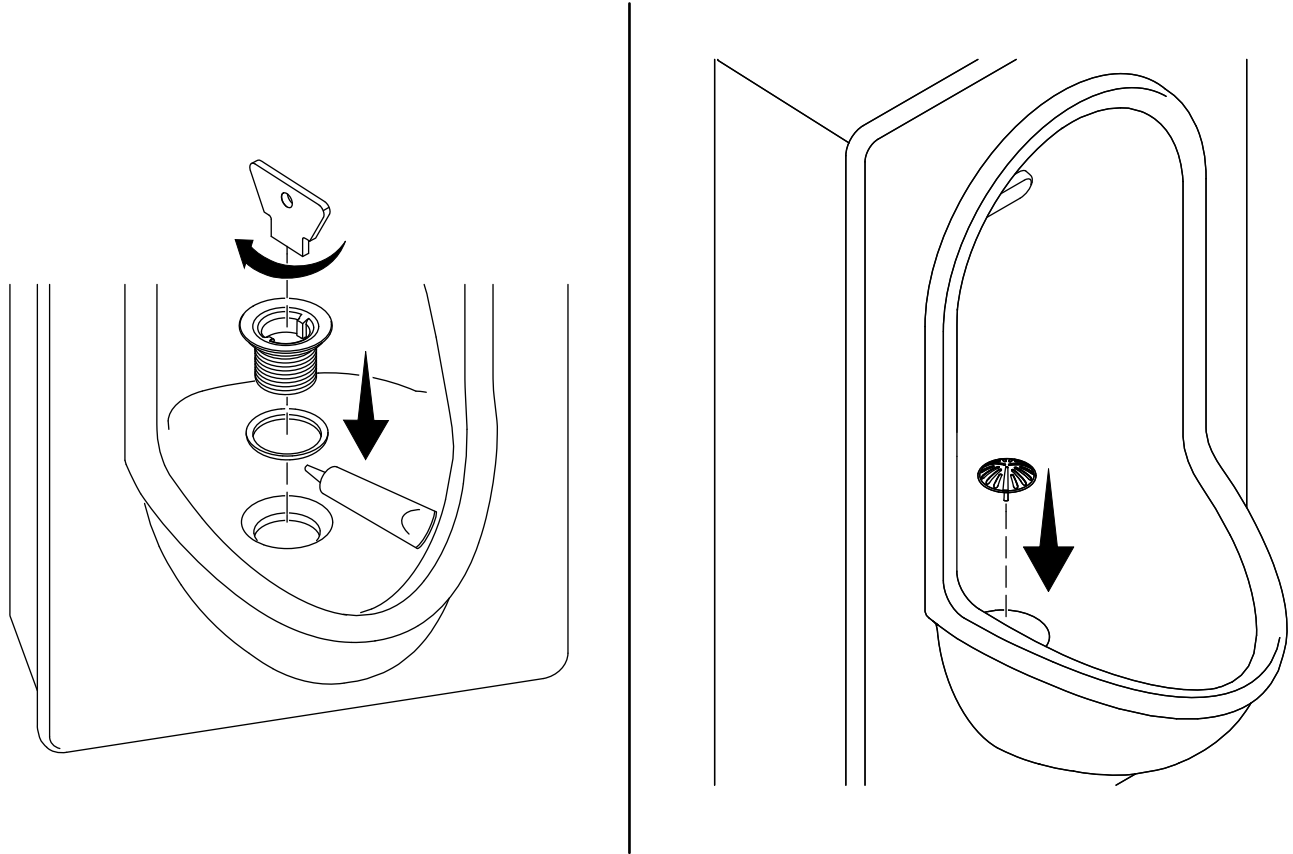
- Install 2 AAA alkaline batteries (not provided).
- Assemble the battery box and install the battery box within the nozzle.
- Do not connect the battery box wire to the sensor wire.**
- Verify that the sensor wire is connected to the valve wire.

8. DC Power - Install the Urinal



- Insert the filter within the valve and then attach the inlet hose to the urinal. Tighten 1/2-turn past hand-tight.
- Support the urinal on a stand. Connect the inlet hose to the water supply line and tighten 1/2-turn past hand-tight.
- Apply appropriate sealant to the gasket on the trapway.
- Hang the urinal. **Do not pinch or kink the inlet hose.**
- Using the provided tool, pull the nozzle from the urinal and let the nozzle hang from the nozzle hose.
- Connect the battery box wire to the sensor wire.
- Reinstall the nozzle into the urinal.

9. Install the Strainer



- Apply silicone lubricating grease to the bottom of the gasket.
- Handtighten the collar with the provided tool.
- Install the strainer.

[kohler.com](https://www.kohler.com)

THE BOLD LOOK
OF **KOHLER**®

©2024 Kohler Co.



1538719-T2

1538719-T2-C