

INSTALLATION INSTRUCTIONS

15396T-B	15" Wall Mount Shower Arm
15397T-B	19" Wall Mount Shower Arm
15398T-B	5" Ceiling Mount Shower Arm
15399T-B	10" Ceiling Mount Shower Arm
21776T	Shower Arm Square Escutcheon

BEFORE YOU BEGIN

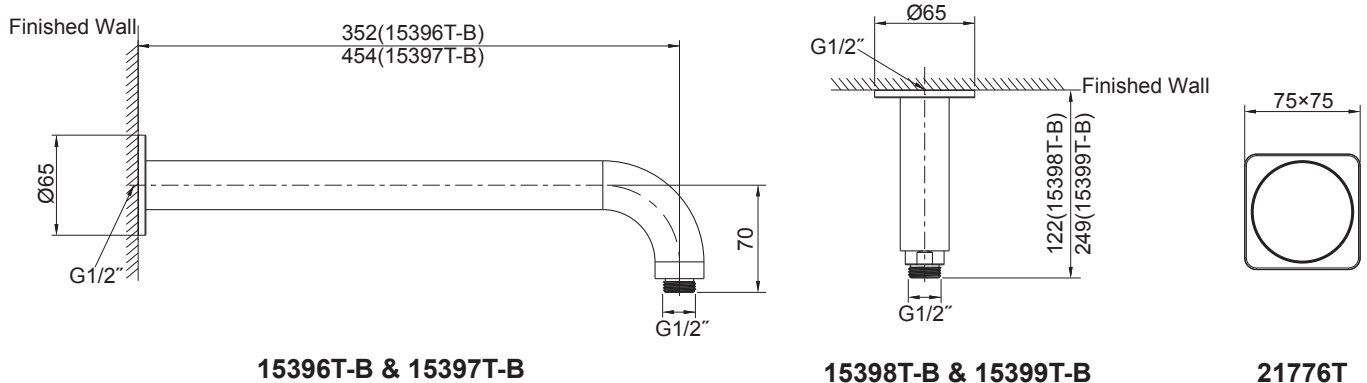
All information is based on the latest product information available at the time of publication. Kohler Co. reserves the right to make changes in product characteristics, packaging, or availability at any time without notice.

Please leave these instructions for the consumer. They contain important information.

NOTES:

1. Shut off the water supplies to the fitting.
2. Observe all local plumbing and building codes.
3. Shower arm 15396T-B, 15397T-B, 15398T-B & 15399T-B can be matched with square escutcheon 21776T according to the needs.

ROUGH-IN DIMENSIONS



INSTALLATION

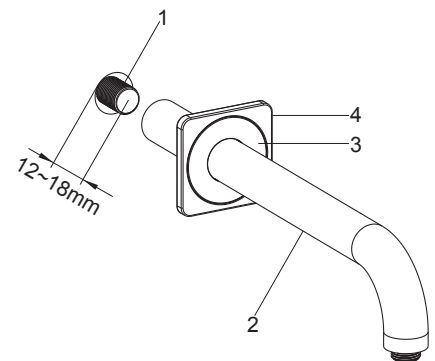
Only for 15396T-B & 15397T-B

Apply tape or sealant to the G1/2" nipple(1, not provided) threads. Install the G1/2" nipple to extend 12-18mm beyond the finished wall.

Slide the round escutcheon(3) onto the shower arm(2). If installing the square escutcheon(4, 21776T), slide the square escutcheon to the round escutcheon.

Thread the shower arm to the G1/2" nipple, tighten by strap wrench. Adjust the shower arm downwards. Push the escutcheon against the finished wall.

Flush both water supplies through the shower arm for about one minute to remove debris.



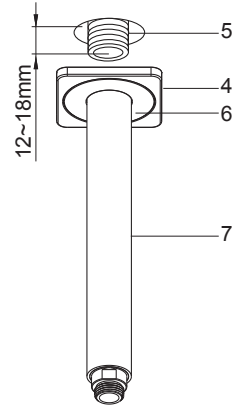
Only for 15398T-B & 15399T-B

Apply tape or sealant to the G1/2" nipple(3, not provided) threads. Install the G1/2" nipple to extend 12-18mm beyond the finished wall.

Slide the round escutcheon(6) onto the shower arm(7). If installing the square escutcheon(4, 21776T), slide the square escutcheon to the round escutcheon.

Thread the shower arm to the G1/2" nipple, tighten by strap wrench. Push the escutcheon against the finished wall.

Flush both water supplies through the shower arm for about one minute to remove debris.

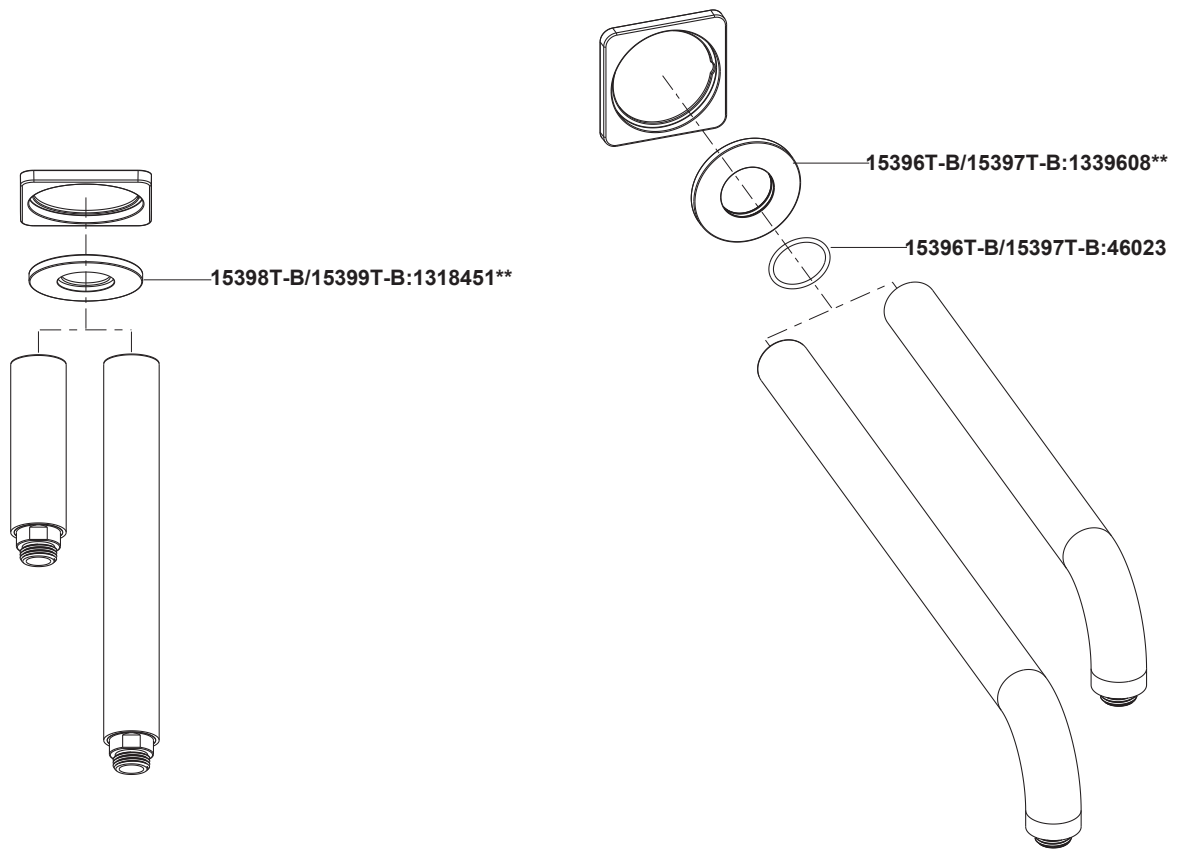


CLEANING INSTRUCTIONS

All Finishes: Clean the finish with mild soap and warm water. Wipe entire surface completely dry with clean soft cloth. Many cleaners may contain chemicals, such as ammonia, chlorine, toilet cleaner etc. which could adversely affect the finish and are not recommended for cleaning.

Do not use abrasive cleaners or solvents on Kohler faucets and fittings.

SERVICE PARTS



**Color code must be specified when ordering.