



K-5871T-2SD/K-8669T-2SD RIVERBY 瑞凡

SELF-RIMMING ENAMELED CAST IRON SINK 台上铸铁厨盆 CUT-OUT TEMPLATE / INSTALLATION INSTRUCTIONS 切割图/安装说明书

BEFORE YOU BEGIN

- Observe all local plumbing and building codes.
- Shut off the hot and cold water supplies.
- Prior to installation, unpack the new sink and inspect it for damage. Return the sink to its protective carton until you are ready to install it.
- Inspect the drain and supply tubing. Replace if necessary.
- All information in these instructions is based on the latest product information available at the time of publication. Kohler China reserves the right to make changes at any time without notice.

安装之前

- 遵循当地所有的管道和建筑规范。
- 关闭冷热水供应。
- 在安装之前，请打开新水槽的包装，检查产品是否有损坏。将水槽放回其保护性的纸箱包装，直到您准备安装。
- 检查供水和排水管道。如果需要，请更换管道。
- 此手册中的所有资料按照出版时的最新产品资料编写。科勒公司保留在任何时候不需通知便可进行更改的权利。

RECOMMENDED TOOLS AND MATERIALS

- Safety Glasses
- Measuring Tape
- Pencil
- Drill
- Putty Knife
- Silicone Sealant
- Pipe Wrench
- Plumbers Putty

推荐使用的工具和材料

- 安全眼镜
- 测量尺
- 铅笔
- 钻孔机
- 灰泥刀
- 密封胶
- 管道扳手
- 管道用灰泥

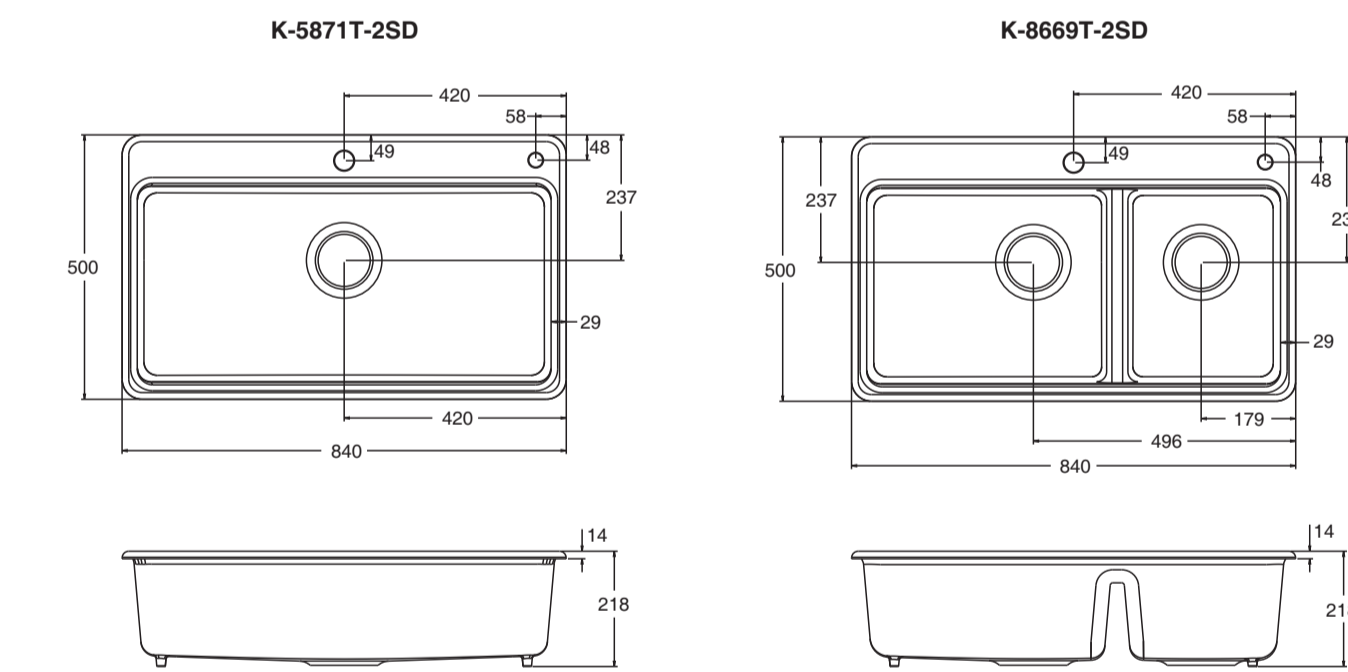
- Plus:
- Level
 - Cross Screwdriver
 - Keyhole/Jigsaw
 - Gloves

- 其它:
- 水平尺
 - 十字螺丝刀
 - 锁眼锯或曲线锯
 - 手套

ROUGHING-IN

Reference Value 参考值

UNIT: mm 单位: 毫米



Kohler reserves the right to change marked dimensions without prior notice. 科勒公司保留随时变更图中标示尺寸的权利，无需另行通知。

INSTALL THE SINK

1. Preparation

WARNING: Risk of personal injury or property damage. Cast iron sinks are very heavy. Get help lifting the sink.

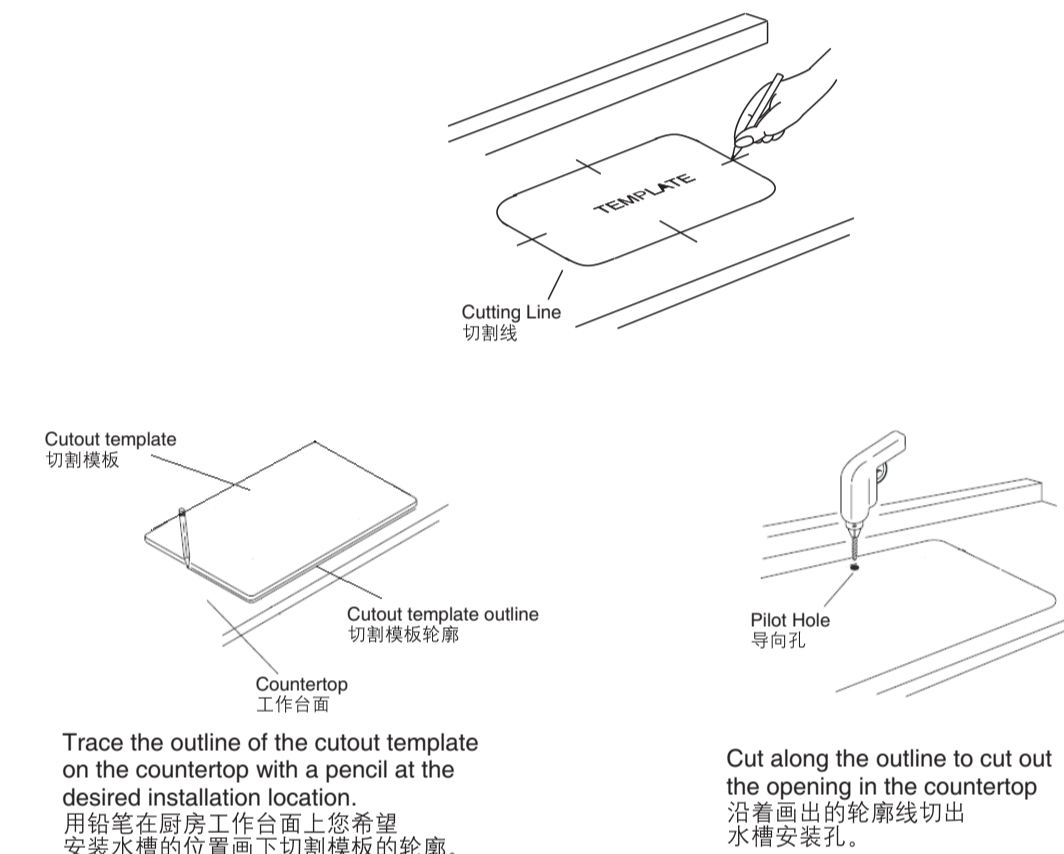
- Cut along the line dedicated to the installation type as you desire.

安装水槽

1. 准备安装

警告: 可能会对人身或财产产生损害。铸铁水槽非常重。在搬动时需要请人帮助。

- 请沿着您期望安装方式剪切割模板。



2. Install the Optional Undercounter Kit

NOTE: This cast iron sink requires either an undercounter bracket(not supplied) or support framing. More details about undercounter shelf installation, please refer to its installation instructions. Support framing is covered in the "Install the Support Frame" section.

2. 安装可选择的台下套件

注意: 此铸铁水槽要求台下支撑架(需另外订购K-18414T-NA, K-18415T-NA, K-18408T-NA)或者支持性框架。有关台下支撑架安装的内容详见厨盆支架说明书。而支持性框架的有关内容则在“安装支撑性框架”章节中加以说明。

	K-18415T	120cm Rail Shelf For Cast Iron Sink, 1 Set 120cm厨盆支架, 1套 For Cabinet with Length of 120cm. 适用于长度为120cm的橱柜柜体。
	K-18414T	90cm Rail Shelf For Cast Iron Sink, 1 Set 90cm厨盆支架, 1套 For Cabinet with Length of 90cm. 适用于长度为90cm的橱柜柜体。
	K-18408T	Triangle-frame Shelf For Cast Iron Sink, 1 Set 三角厨盆支架, 1套 For Cabinet of any length. The shelf shall be installed to the main wall behind the cabinet. 适用于任何长度的橱柜柜体。支架需安装在橱柜背后的承重墙上。

3. Install the Faucet Fitting and Drain

- Install the faucet overflow pipe and strainer according to the manufacturer's instructions.

3. 安装龙头和排水系统

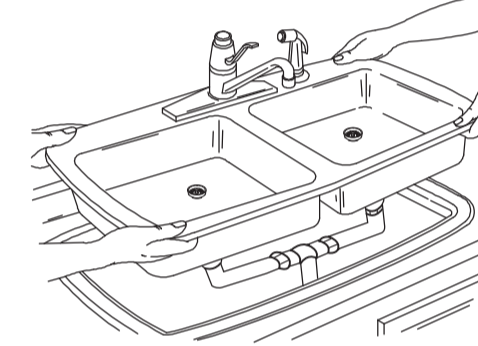
- 根据生产商的指示安装龙头溢水管和排水系统。

4. Install the Sink

- A. Self-rimming Installation**
- To avoid countertop deformation, it is suggested to use shelf suitable for the actual cabinet.
- Clean the countertop, and carefully position the sink in the countertop opening so the sink edges line up with the pencil line or masking tape border.
- Apply a thin, continuous bead of quality sealant around the sink edges.

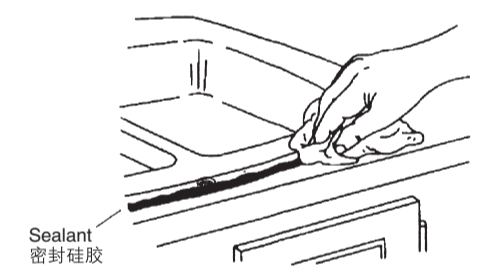
4. 安装水槽

- A. 台上安装**
- 为防止台面变形，台上安装时建议根据实际柜体选择使用支撑架。
- 清洁台面，小心地将水槽放入台面切口处，让水槽的边缘与画的线条或胶带边界条一致。
- 在水槽边缘涂一小圈连续的密封胶。



- Immediately wipe away any excess sealant, and fill any voids as needed.
- Verify that the sink has not moved out of position.
- Allow the sealant to cure at least 30 minutes before proceeding.

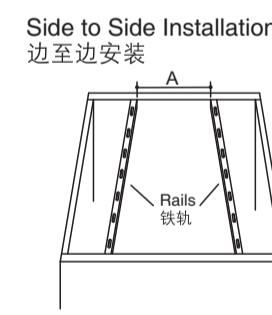
- 立即抹去多余的密封胶，并填补任何小空隙。
- 检查水槽是否被移动了。
- 在继续下一步骤之前让密封胶风干30分钟。



B. Undercounter Installation

- As the shelf is installed from side to side, determine the side-to-side length of the inside of the cabinet.
- If necessary, cut the rail/shelf rails up to 1/2" (13mm) less than the determined length.
- Consult the dimensional information to determine Dimension A (A: 470).

- B. 台下安装**
- 支架的安装方式为边至边安装。从边到边确定支架在厨柜里的长度。
- 若有必要，切割支架比上述确定长度短1/2"(13mm)。
- 考虑空间的情况，确定两根支撑架子间的距离A为470mm。



- Position and trace the template on the countertop as per line for undercounter installation directed on the template.
- Drill a 13mm pilot hole on the inside of the cut line. Cut along the traced line.

- 如切割模板上所示将模板置于台面上，按照台下安装专用切割线描画水槽轮廓。
- 在切割线内打一个13mm的导孔。按描画好的切割线切割。

- Lower the sink into the cabinet. Verify the sink is supported by the frame.
- Verify the sink is level, make any adjustments as needed.
- Install the countertop. Adjust the rail shelf, upside surface of the rail shelf the same level with nether surface of the cabinet if needed.
- Apply a thin bead of silicone sealant where the sink meets the countertop.
- Immediately wipe away any excess sealant with a damp cloth. Fill any voids if needed.
- Allow the sealant to cure for at least 30 minutes before proceeding.

- 降低水槽，放入底柜，确保水槽已由所透框架完全支撑。
- 不断调整直至水槽水平。
- 安装台面。如有必要继续调整，确保厨盆上表面与台面下表面齐平。
- 在水槽与台面支撑的地方涂抹一层密封胶。
- 尽快用湿的抹布擦除多余的密封胶。如有需要，再在空隙处补上一些密封胶。
- 让密封胶风干30分钟以上。

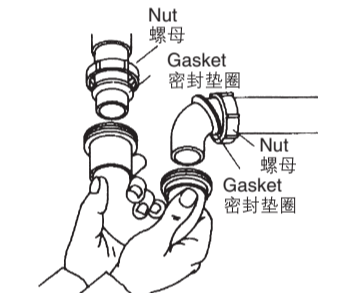


5. System Drainage and Connect Supplies

- Connect the faucet supply lines.
- Connect the drain assembly.
- Open the faucet valves, and check for leakage.

5. 连接供水和排水系统

- 连接龙头供水管。
- 连接排水系统。
- 打开龙头阀，检查是否有漏水现象。



CARE AND CLEANING

- DO NOT use steel wool, abrasive sponge pads, wire brushes, or metal scrapers to clean a Kohler kitchen sink.
- DO NOT use high alkaline or strong acid cleaners.
- For stubborn stains such as metal marks, abrasive cleaners may be used sparingly. Follow cleaner manufacturer's instructions very carefully. Avoid soaking dishes for long periods of time and refrain from leaving coffee grounds and tea bags in the sink.
- Keep your cast iron sink looking new by rinsing it out thoroughly after each use.
- DO NOT regularly use abrasives on enameled cast iron, as this will eventually scratch and ruin the surface. Stubborn paint stains or tar can be removed with turpentine or paint thinner.

保养和清洁指南

- 请勿使用钢丝球、有磨损性的海绵垫、钢丝刷或金属刮刀。清洁科勒铸铁水槽。
- 请勿使用碱性或强酸性清洁剂。
- 对于诸如铁锈的污渍，可适当使用研磨物。仔细按照制造商的指引做清洁。不要在水槽中长时间用洗涤剂浸泡碟子。避免将咖啡渣或茶袋留在水槽内。
- 在每次使用后用水仔细冲洗。这样就可以让您的铸铁水槽看上去象新的一样。
- 请勿经常在搪瓷铸铁水槽上使用研磨物(如百洁布等)，因为它们将最终刮花或者损坏水槽的表面。顽固污渍、油漆或石油沥青可以用松油或油漆稀释剂除去。

WHEN PLOTTING TEMPLATE FULL SIZE: Make sure horizontal and vertical dimensions match the dimensions labeled on the template.

当在台面上比一比描绘切割线时，务必确保模板的水平和垂直尺寸与模板上标注的一致。

782mm

810mm

FOR UNDERCOUNTER INSTALLATION CUT ALONG THIS LINE 专用于台下安装 沿此线切割

RIM OF SINK 水槽边缘

FOR SELF-RIMMING INSTALLATION CUT ALONG THIS LINE 专用于台上安装 沿此线切割

1347944-T01-B