

1540808-T2

记录您的型号:

Record your model number: \_\_\_\_\_

遵循所有当地管道和建筑规范。

### 1A. 硅酮密封胶

3A. 给排水口饰件的下侧涂上硅酮密封胶。

4A. 将排水口饰件插在排水管随附的工具上。

5A. 使用该工具，用力将排水口饰件压入浴缸排水口。擦掉任何多余的硅酮密封胶。

6A. 用力将排水塞压入浴缸排放口。

### 清洁过滤器

9A. 从排水塞上拧下过滤器。清空过滤器的内容物。

10A. 将过滤器拧回到排水塞上。将排水塞插入浴缸排水口。

### 维修排水管

11A. 如果必须拆下饰件，则将一把平头螺丝刀插入排水口饰件两侧的槽中。扭动螺丝刀以撬开排水口饰件。

**需要帮助?** 请联系我们的客户服务中心。

• 中国大陆: +(86) 800-820-2628, +(86) 400-820-2628

• 中国香港、中国澳门、中国台湾: +(852) 3125-7728

本产品支持科勒®水暖产品三年有限质保，详见包装所附的《合格证》。

Follow all local plumbing and building codes.

### 1A. Silicone Sealant

3A. Apply silicone sealant to the underside of the drain trim.

4A. Insert the drain trim onto the tool that came with the drain.

5A. Using the tool, firmly press the drain trim into the bath drain. Wipe away any excess silicone sealant.

6A. Firmly press the drain stopper into the bath drain.

### To Clean the Strainer

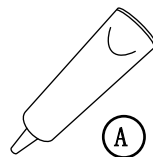
9A. Unthread the strainer from the drain stopper. Empty the contents of the strainer.

10A. Thread the strainer back onto the drain stopper. Insert the drain stopper back into the bath drain.

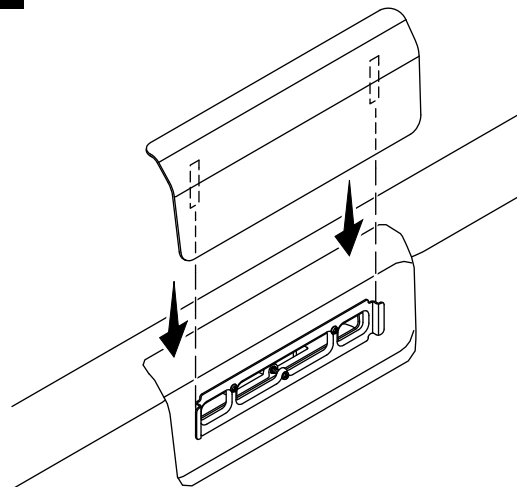
### To Service the Drain

1540808-T2-A

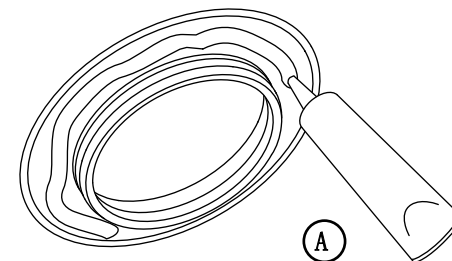
1



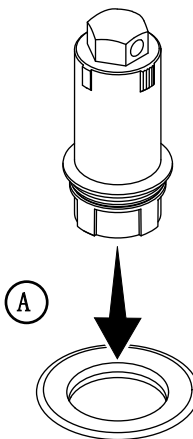
2



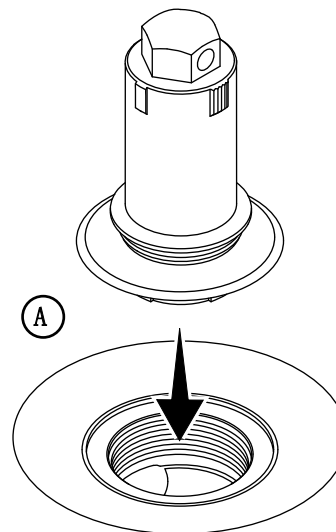
3



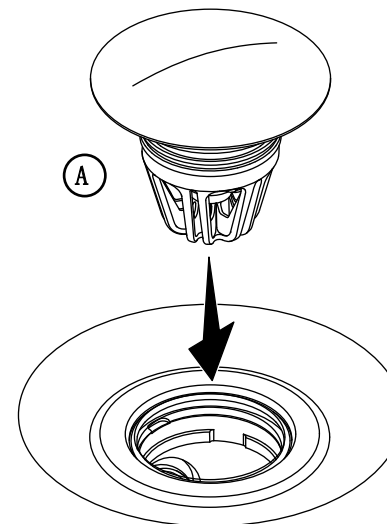
4



5



6



11A. If the trim must be removed, insert a flathead screwdriver into the slots on the sides of the drain trim. Twist the screwdriver to pry off the drain trim.

**Need help?** Contact our Customer Care Center.

- Mainland China: +(86) 800-820-2628, +(86) 400-820-2628
- Hong Kong (China), Macau (China), Taiwan (China): +(852) 3125-7728

This product is covered under the **Three-Year Limited Warranty for KOHLER® Plumbing Products**, found in the packed Compliance Certification.

