

## BEFORE YOU BEGIN

## 安装之前

- All information is based on the latest product information available at the time of publication. Kohler China Ltd. reserves the right to make changes in product characteristics, packaging, or availability at any time without notice.
- These instructions contain important care, cleaning, and warranty information—**please leave these instructions for the consumer.**
- Make sure that the bath and the finished wall material are completely and correctly installed prior to installing your shower door. Prepare waterproof layer to wall and floor of the showering area. It is not allowed for any presence of electric switches and sockets. Make sure the floor drain runs smoothly.
- Before starting the door installation, lay out and identify all the parts. Use the exploded view illustrated on page 2 for reference.
- For the installation method of customized shower with different dimensions, please refer to this instructions.
- The product complies with QB 2584-2007.

**⚠ CAUTION: Risk of injury or product damage.**  
Tempered glass cannot be cut, drilled or knocked by hard object. Make sure corner area of the glass refraining from knocking so as to cause personal injury due to broken glass.

**ATTENTION:** Please install this door on Kohler receptors or curbs(Not included). If the curb is not Kohler-branded, please note its top width should be more than 80mm.

**IMPORTANT:** The shower door requires a flat vertical finished wall. The squareness of the wall is recommended no more than 3 mm/m. KOHLER Company won't take responsibility of the installation quality.

Do not use the enclosure for at least 24 hours.  
安装后 24 小时内请勿使用淋浴房。

- 说明书中所有的资料是按最新出版的产品资料编写而成。科勒中国有限公司保留任何时候无须通知即可改变产品特性、包装或产品可供类型的权利。
- 说明书包括重要的安装、清洁及保养方面的内容，**请把这些资料交给用户阅读，保管。**
- 确保在安装淋浴房之前已经完整正确地安装了浴室和完工墙面材料。淋浴区墙地面应做防水处理，并不得布置有电器开关、插座。确保地面排水通畅。
- 在进行淋浴房安装之前，请拿出、排列并确认所有的零部件。请参考第 2 页上所示的分解图。
- 对尺寸与本标准产品不同的定制淋浴房，参照本说明书进行安装。
- 本产品符合 QB 2584-2007。

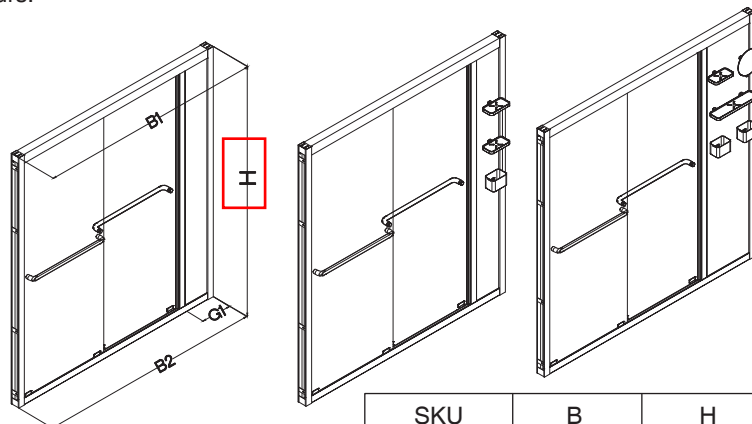
**⚠ 警告：可能有人伤害或者产品损坏的危险。**  
钢化玻璃不能进行切割，钻孔或硬物敲击。搬移或安装过程中，小心确保玻璃边、角部位不受撞击，以防爆裂伤人。

**建议：**将本产品安装在科勒淋浴盆或挡水条上（需另行购买）。如自备挡水条，建议顶面宽度尺寸大于 80mm。

**重要事项：**淋浴房需要安装在平坦垂直的墙面上。墙面的垂直度推荐在正负 3mm/m 以内。如果超出此范围，科勒公司将不保证淋浴房的完美使用。

## ROUGHING-IN

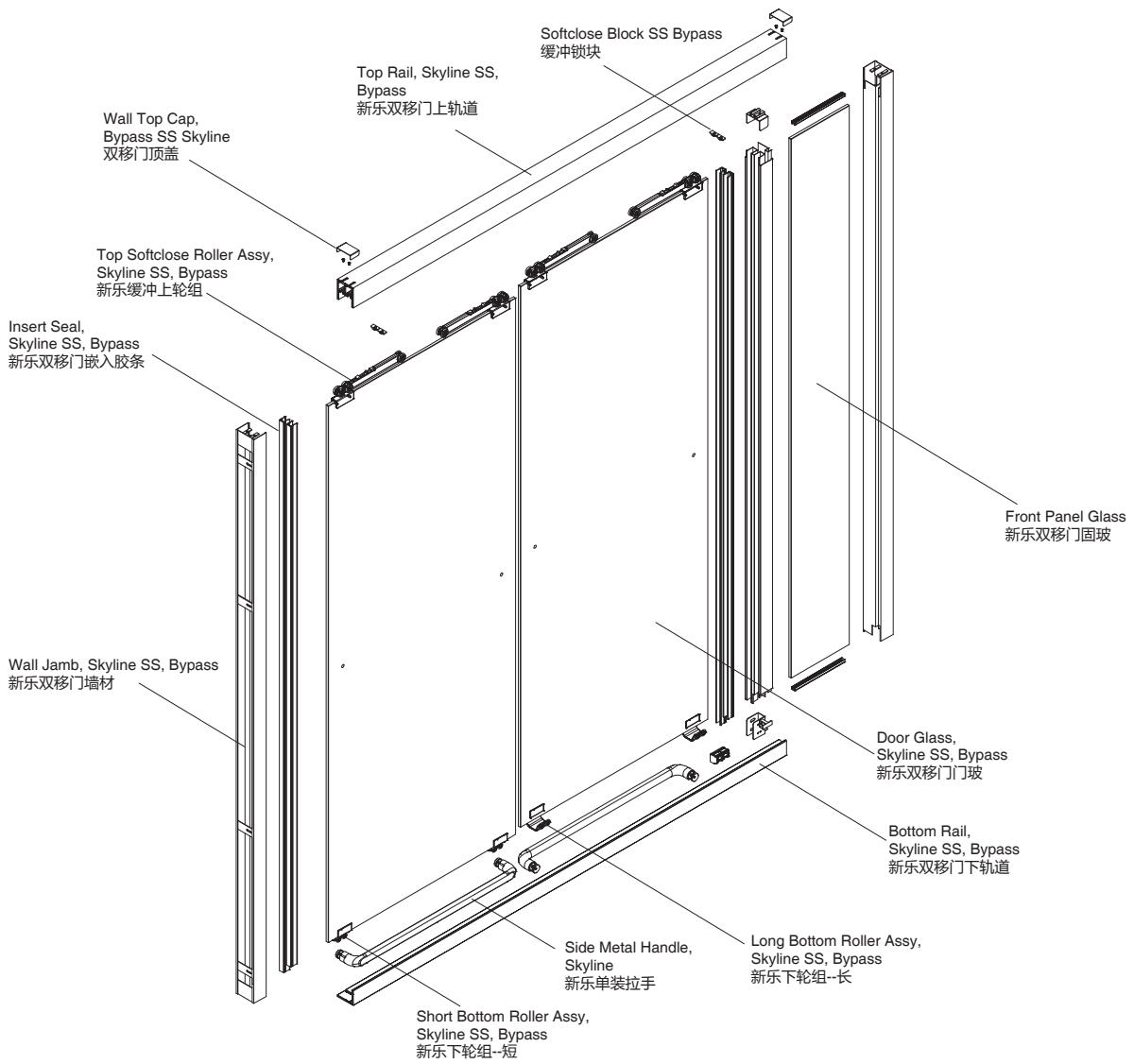
## 尺寸图



Unit: mm  
单位：毫米

SKU	B	H
K-22317T	1450-2000	1850-2200
K-701531T	1250-2000	
K-701537T		

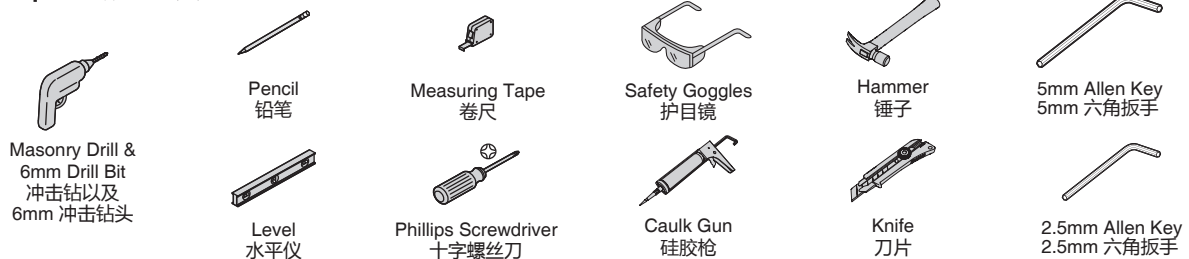
ZHONGSHAN KOHLER SHOWER CO., LTD. NO13-1, XINGYE ROAD, ZHONGSHAN TORCH DEVELOPMENT ZONE, ZHONGSHAN, GUANGDONG, CHINA POST CODE: 528437  
中山科勒卫浴有限公司 广东省中山市中山火炬开发区兴业路 13-1 号 邮编：528437



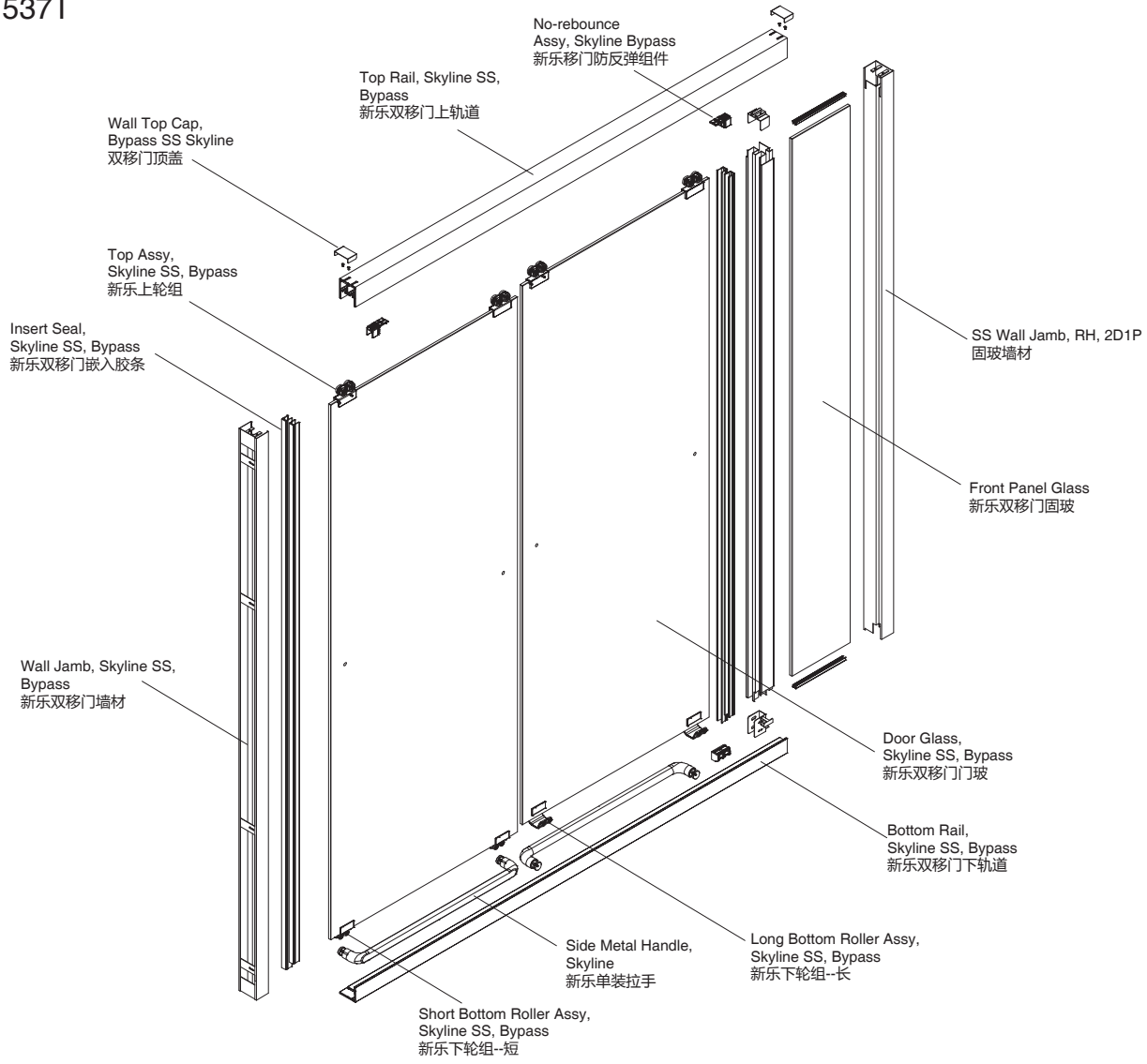
	X1	Top Rail, Skyline SS, Bypass 新乐双移门上轨道
	X1	Bottom Rail, Skyline SS, Bypass 新乐双移门下轨道
	X2	Wall Jamb, Skyline SS, Bypass 新乐双移门墙材
	X1	SS Wall Jamb, RH, 1P2D 固玻中柱
	X4	Insert Seal, Skyline SS, Bypass 新乐双移门嵌入胶条
	X2	Side Metal Handle, Skyline 新乐单装拉手
	X4	Top Softclose Roller Assy, Skyline SS, Bypass 新乐缓冲上轮组
	X4	Softclose Block SS Bypass 缓冲锁块
	X1	Adjustable Wrench 调节扳手

	X2	Long Bottom Roller Assy, Skyline SS, Bypass 新乐下轮组-长
	X2	Short Bottom Roller Assy, Skyline SS, Bypass 新乐下轮组-短
	X1	Bottom Center Post Fixture of the Panel Glass 固玻中柱下固定件
	X1	Top Center Post Fixture of the Panel Glass 固玻中柱上固定件
	X1	2D1P Connector, Bypass, SS, Skyline 下轨道固定座
	X2	Wall Top Cap, Bypass SS Skyline 双移门顶盖
	X4	Screw M4X10 十字不锈钢沉头机制 M4X10
	X8	Hollow Wall Anchor, Nylon 膨胀套
	X10	Pan Screw GB/T 845 ST3.5X40 圆头螺丝 ST3.5X40
	X1	Screw Key 3mm 内六角扳手
	X1	Screw Key 2mm 内六角扳手 (加长)

**Tools Required/所需工具**



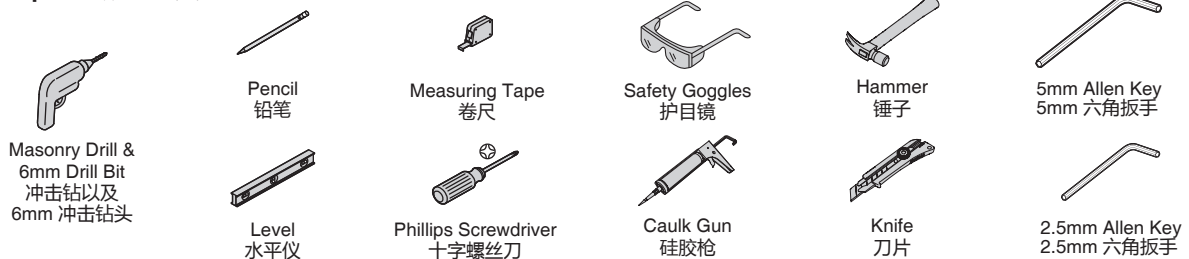
K-701531T  
K-701537T



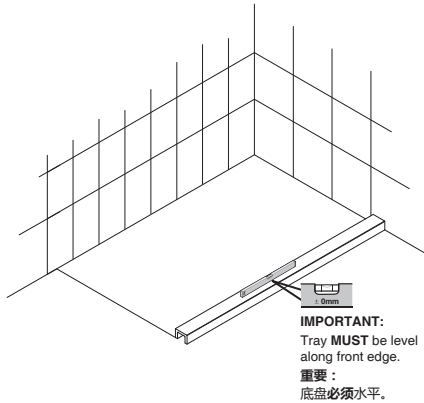
	X1	Top Rail, Skyline SS, Bypass 新乐双移门上轨道
	X1	Bottom Rail, Skyline SS, Bypass 新乐双移门下轨道
	X2	Wall Jamb, Skyline SS, Bypass 新乐双移门墙材
	X1	SS Wall Jamb, RH, 1P2D 固玻璃中柱
	X4	Insert Seal, Skyline SS, Bypass 新乐双移门嵌入胶条
	X2	Side Metal Handle, Skyline 新乐单装拉手
	X4	Top Assy, Skyline SS, Bypass 新乐上轮组
	X4	No-rebound Assy, Skyline Bypass 新乐移门防反弹组件
	X1	Adjustable Wrench 调节扳手

	X2	Long Bottom Roller Assy, Skyline SS, Bypass 新乐下轮组--长
	X2	Short Bottom Roller Assy, Skyline SS, Bypass 新乐下轮组--短
	X1	Bottom Center Post Fixture of the Panel Glass 固玻璃中柱下固定件
	X1	Top Center Post Fixture of the Panel Glass 固玻璃中柱上固定件
	X1	2D1P Connector, Bypass, SS, Skyline 下轨道固定座
	X2	Wall Top Cap, Bypass SS Skyline 双移门顶盖
	X4	Screw M4X10 十字不锈钢沉头机制 M4X10
	X8	Hollow Wall Anchor, Nylon 膨胀套
	X10	Pan Screw GB/T 845 ST3.5X40 圆头螺丝 ST3.5X40
	X1	Screw Key 3mm 内六角扳手
	X1	Screw Key 2mm 内六角扳手 (加长)

Tools Required/所需工具

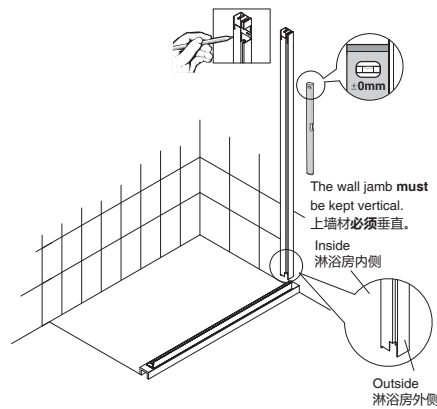


Level the weather bar. Mark the wall 5mm in from the front edge of the tray.  
档水条打水平。从挡水台边缘向内偏5mm。



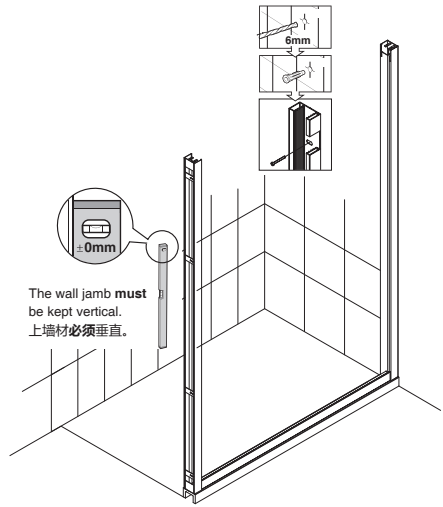
**STEP 1**

Draw the installation holes. Place the bottom rail at the proper position. Make it flat. Snap the two wall jamba into the rail successively. Mark and drill the holes into the wall. Pay particular attention to the orientation of the wall jamba to be installed (see the enlarged figure).  
画上墙孔。先摆好下导轨，打好水平后先后将两支墙材从上往下卡入下导轨，插好定位孔后再往墙上打孔。特别注意墙材的内外方向（见放大图）。



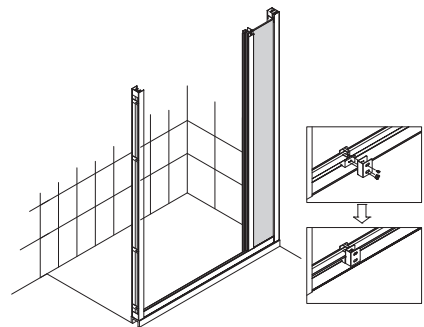
**STEP 2**

Fix the wall jamba. Snap two jamba into the bottom rail from the top and then fix them onto the wall with screws.  
固定上墙材。分别将两支墙材从上往下卡入下导轨后用上墙螺丝固定在墙上。



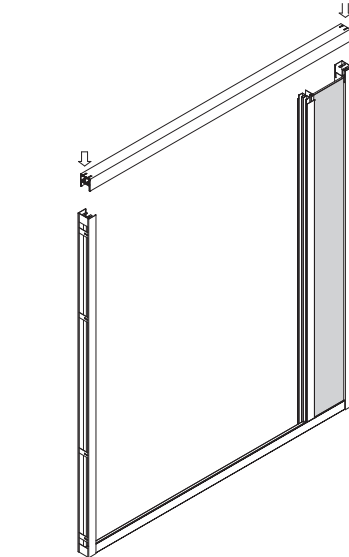
**STEP 3**

Install the panel glass and the center post.  
安装固玻及中柱。



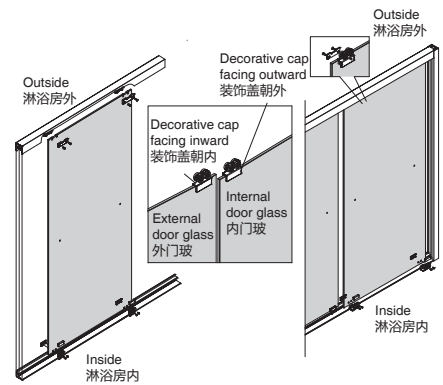
**STEP 4**

Install the top rail.  
安装上导轨。



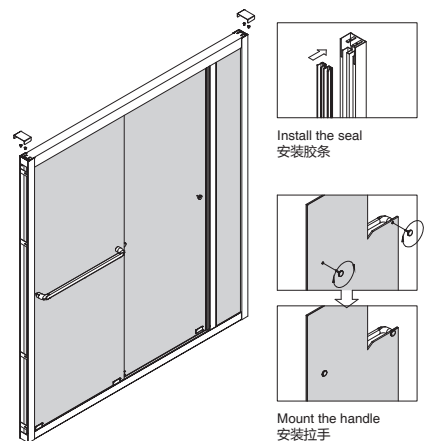
**STEP 5**

Install the door glass. Note: The external door glass should be hung from the inside to the outside and the internal door glass should be hung from the outside to the inside. Both should be carried out at the inner side of the rail.  
安装门玻。注意：外门玻在导轨内从内往外挂，内门玻在导轨内从外往里挂。



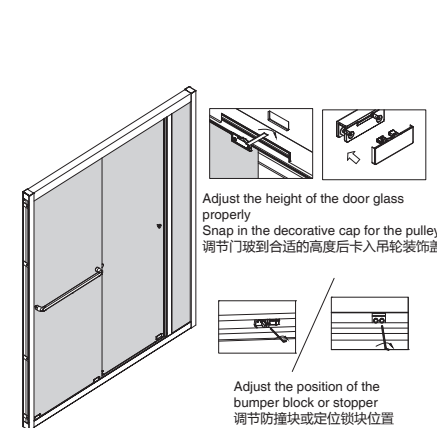
**STEP 6**

Install the handle and the top cover.  
安装拉手以及顶盖。



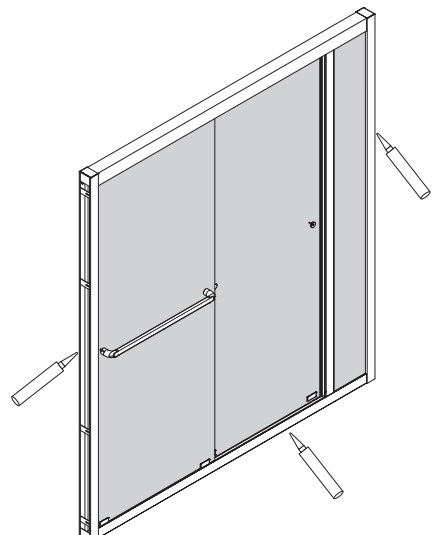
**STEP 7**

Adjust.  
调节。



**STEP 8**

Apply glass cement.  
打玻璃胶。



**STEP 9**