

Record your model number: \_\_\_\_\_

1549081-IN2

Your product may appear different than the one illustrated. The installation procedure is the same.

Follow all local plumbing and building codes.

**1A.** Thread Sealant Tape (for installations using the flow reducer)

**1B.** 100% Silicone Sealant

**1C.** Silicone Grease

**2A.** Install the inlet pipe gasket onto the inlet pipe. For the flush valve system, install the supplied flow reducer to the inlet pipe and wrap the flow reducer with thread sealant tape before installing the gasket.

**IMPORTANT! DO NOT** use the flow reducer if you use an in-wall tank.

**NOTE:** Adjust the flush valve to a dynamic pressure of 0.4 bar. Set the flush volume to 6 liters for full flush and 3 liters for half flush. Refer to the installation and user guide supplied with the flush valve to change the flush valve setting.

**3A.** Apply plumbers silicone grease where the brushes are shown.

**4A.** Mark the inlet and outlet pipes even with the back edge of the bowl.

**5A.** Remove the plaster guards before installing the inlet and outlet pipes.

**6A.** Mark the inlet and outlet pipes even with the front edge of the finished wall.

**7A.** Measure the distances "X" and "Y" between the marks and cut these lengths off the ends of the corresponding pipe.

**7B.** File the pipes to remove any burrs.

**8A.** Apply plumbers silicone grease.

**9A.** Adjust the threaded rod to extend 3-1/8" (80 mm) out from the finished wall.

**9B.** Verify that the frame mounting holes are 9-1/16" (230 mm) apart before installing the bowl.

**13A.** Apply silicone sealant.

**14A.** Wipe away any excess sealant.

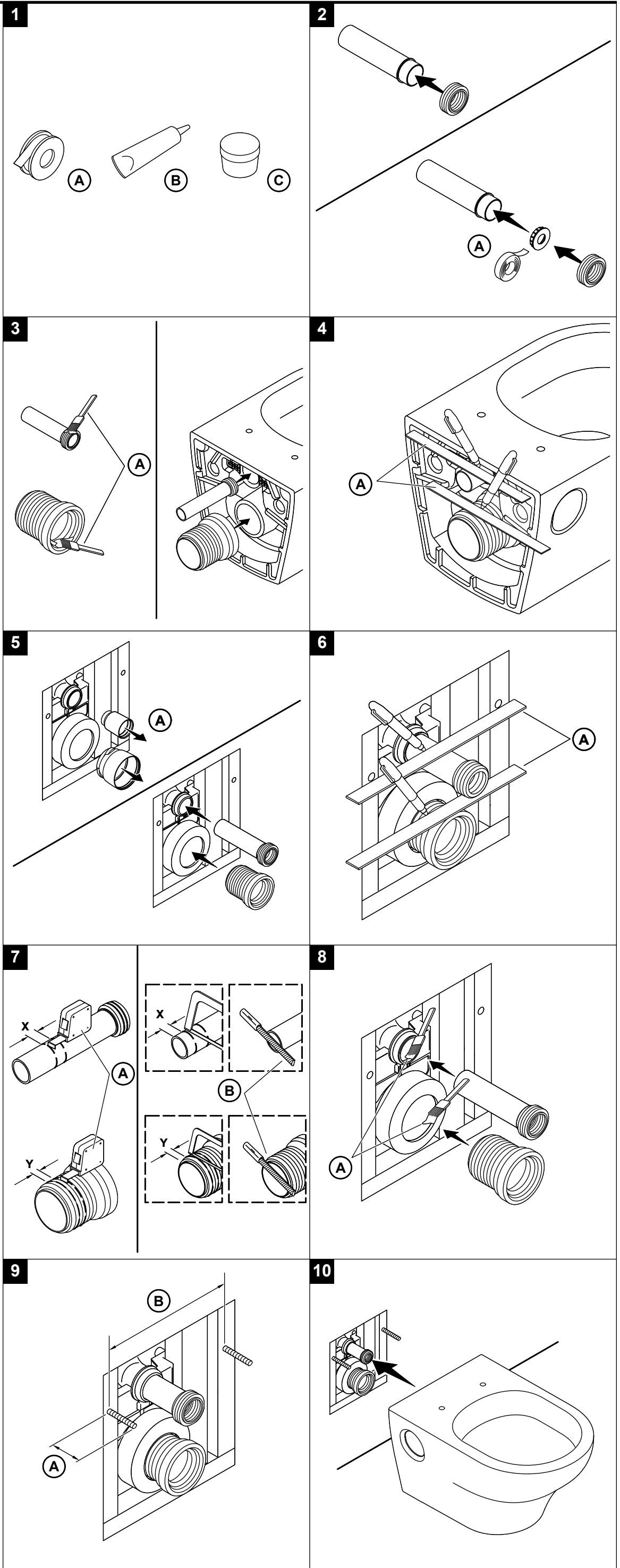
**Need help?** Contact our Customer Care Center.

• Email: [indiacustomer@kohler.com](mailto:indiacustomer@kohler.com)

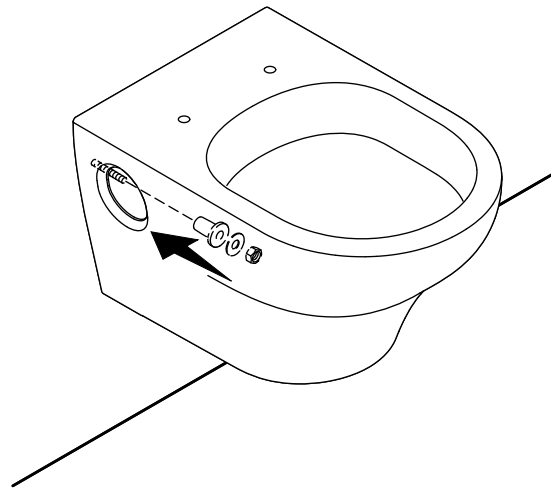
• Call: 1800-103-2244

• **Care and cleaning:** Please refer to the Care and Cleaning on the product detail page.

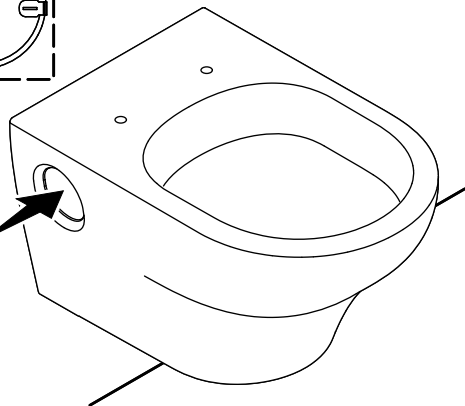
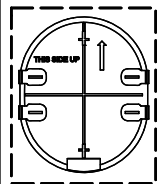
This product is covered under the **KOHLER® India Sanitaryware and Bathing Products Limited Warranty**, found at [kohler.co.in/warranty](http://kohler.co.in/warranty). For a hardcopy of warranty terms, contact the Customer Care Center.



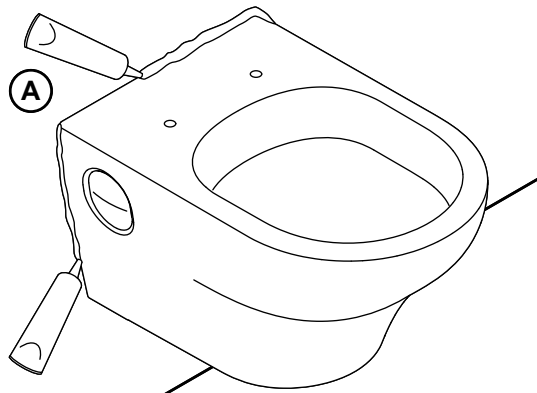
11



12



13



14

