

Installation Instructions

Touchless Soap Dispenser AC Power

Record your model number:

Noter le numéro de modèle:

Anote su número de modelo: _____

Français, page 29

Español, página 61

KOHLER®

Thank You for Choosing KOHLER

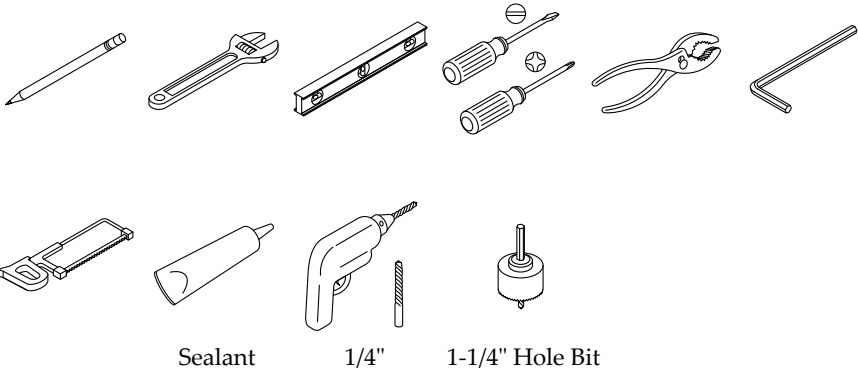
Need help? Contact our Customer Care Center.

- USA/Canada: 1-800-4KOHLER (1-800-456-4537) Mexico: 001-800-456-4537
Hours of Operation: Monday-Friday 8:00 AM -5:00 PM (CT)
Languages Spoken: English, Spanish, and translation services are available.
- **Service parts:** kohler.com/serviceparts
- **Care and cleaning:** kohler.com/clean
- **Patents:** kohlercompany.com/patents

Warranty

This product is covered under the **KOHLER® One-Year Limited Warranty**, found at kohler.com/warranty. For a hardcopy of warranty terms, contact the Customer Care Center.

Tools and Materials



Plus:

- Wood Brace Materials
- Woodworking Tools
- #8 Wood Screws
- 1-1/2" Schedule 40 PVC Pipe and 90 Degree Elbow
- U-Clamp
- Electrical Tape
- Foaming Hand Soap (1 cP – 100 cP Dynamic Viscosity)
- Single AC Supply, K-13480-A-NA
- Multi-Outlet AC Supply, K-13481-A-NA

Before You Begin



WARNING: When using electrical products, basic precautions should always be followed, including the following:



WARNING: Risk of electric shock. Connect only to a circuit protected by a Ground-Fault Circuit-Interrupter (GFCI)*. Grounding is required. The unit should be installed and grounded by a qualified service representative.



WARNING: Risk of electric shock. Disconnect the power before servicing.



WARNING: Risk of injury or property damage. Read all instructions thoroughly before beginning installation.



CAUTION: Risk of product damage. This product contains sensitive electronic components. Do not store open containers of chemical or cleaning products near this product.

Your product may appear different than illustrated. The installation procedure is the same. Refer to the Specification Sheet for roughing-in dimensions for your model requirements.

Provide a constant unswitched 120 VAC electrical outlet located below the sink within 5' (1.5 m) of the control box.

Follow all local plumbing and building codes.

*Outside North America, this may be known as a Residual Current Device (RCD).

Soap Requirements



CAUTION: Risk of product damage. The foaming hand soap must have a dynamic viscosity rating between 1 centipoise – 100 centipoise (cP) measured in cP or grams/cm-s units. Soaps with a dynamic viscosity greater than 100 cP can cause premature wear and damage to the soap dispenser components.



CAUTION: Risk of product damage. Only use liquid foaming hand soap that contains no suspended particles or microbeads. Do not use nonfoaming liquid hand soaps, which typically have a dynamic viscosity rating of 1000 cP – 3500 cP.



CAUTION: Risk of product damage. Do not use alcohol-based soap and/or soaps with alcohol.

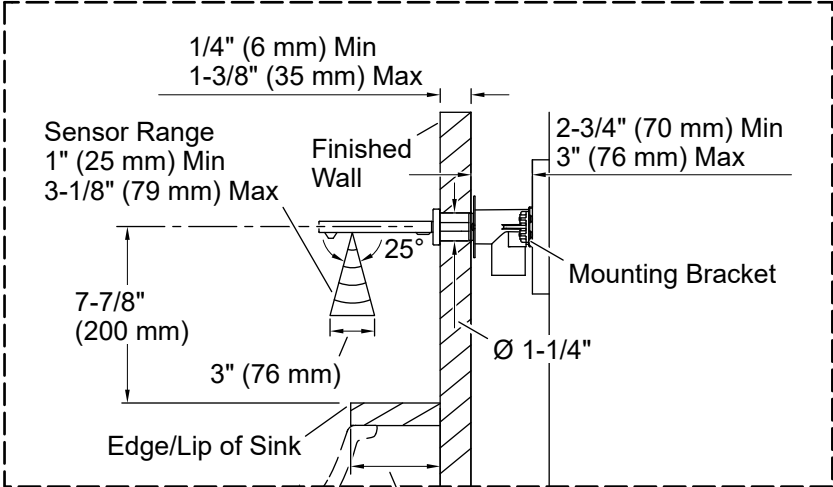
IMPORTANT! For normal functioning, the soap dispenser sensor must be pointed into the sink and not to the counter top/deck.

IMPORTANT! Soap should be added only when the product will be under normal usage. Do not fill the soap reservoir when the soap dispenser will not be used for extended periods of time (weeks or months) after the initial installation.

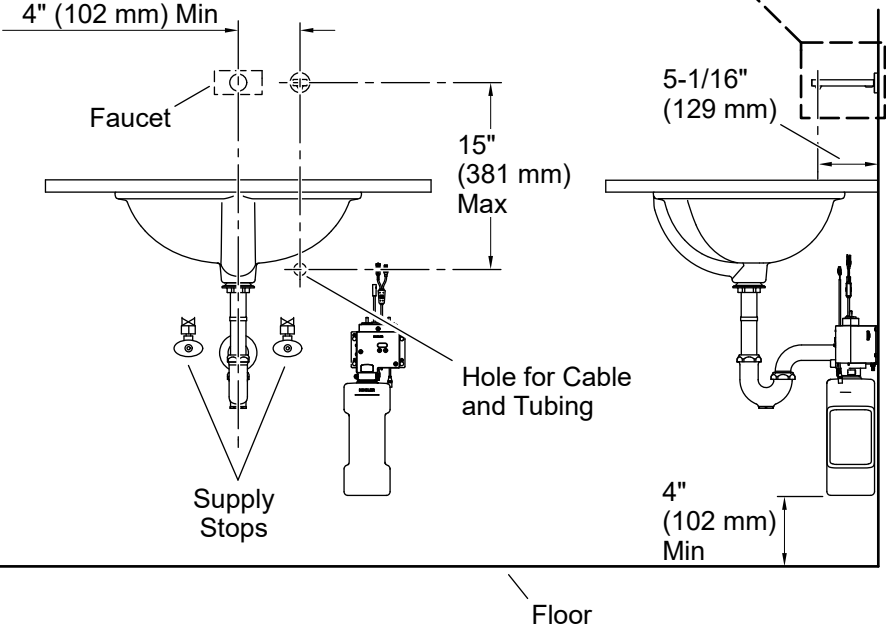
NOTE: KOHLER brand foaming hand soaps are precisely formulated to work with this product and have a dynamic viscosity rating of 1 cP – 100 cP.

NOTE: See kohler.com for more information on recommended foaming hand soaps. Precise information on soap material properties and dynamic viscosity rating can be found on the soap manufacturers published material safety data sheets.

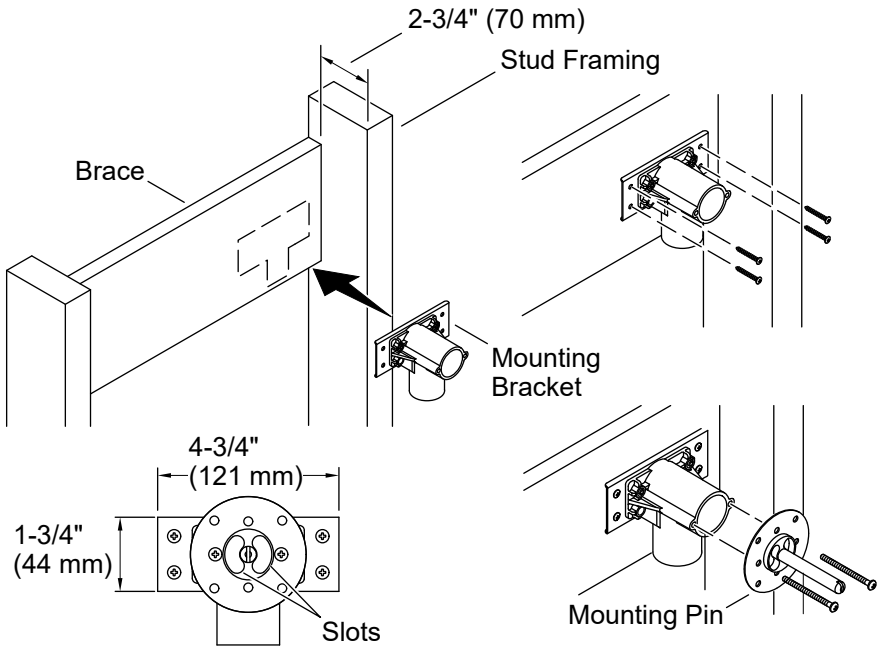
Roughing-In



4" (102 mm) Max



1. Install the Mounting Bracket



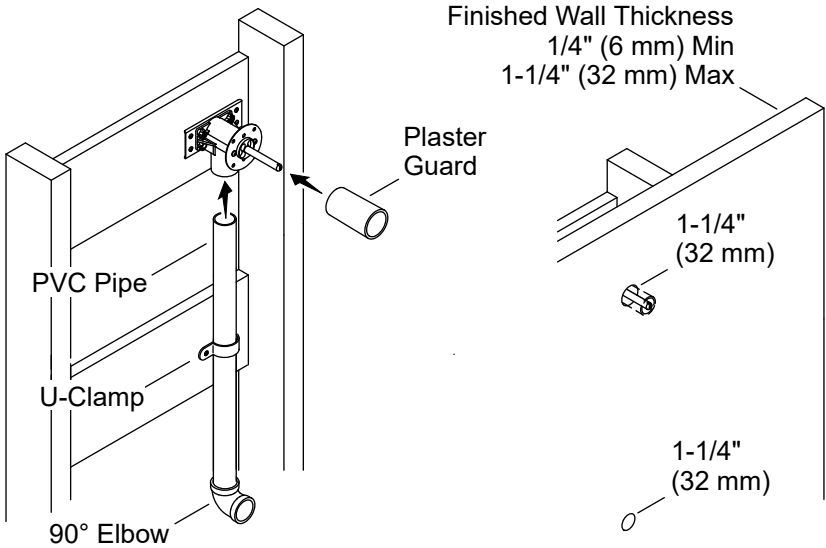
IMPORTANT! Your product may appear different than illustrated. The installation procedure is the same. Refer to the Specification Sheet for roughing-in dimensions for your model requirements.

- Construct the framing for your installation.
- Secure the mounting bracket to the brace using four wood screws – size #8.
- Remove the plaster guard.

NOTE: Verify the slot orientation as shown above.

- Secure the mounting pin to the mounting bracket using the two screws provided.

2. Install the Piping (Recommended)



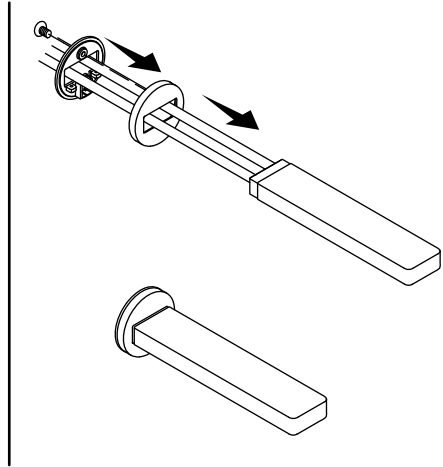
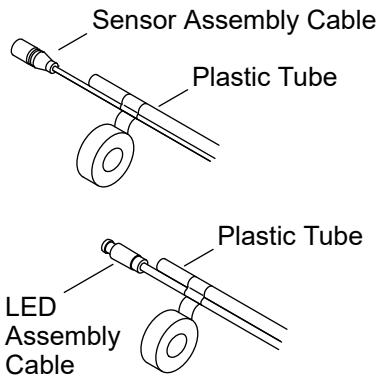
NOTE: PVC fittings and PVC pipes (not provided) can be attached to the mounting bracket to route the spout cables and tubes to the control box. Refer to the Specification Sheet to determine the control box location.

- Connect a straight PVC pipe to the mounting bracket as shown. Verify that the tube is long enough to reach the control box.
- Secure the PVC pipe onto the mounting bracket with U-clamps (not provided).
- Glue a 90 degree PVC elbow at the end of the PVC pipe at the control box installation location.
- Reinstall the plaster guard over the mounting pin.

NOTE: The finished wall thickness must be 1/4" (6 mm) minimum to 1-1/4" (32 mm) maximum.

- Finish the wall with a 1-1/4" (32 mm) hole for the spout.
- Finish the wall with a 1-1/4" (32 mm) hole for the cables and tubing.

3. Prepare the Spout

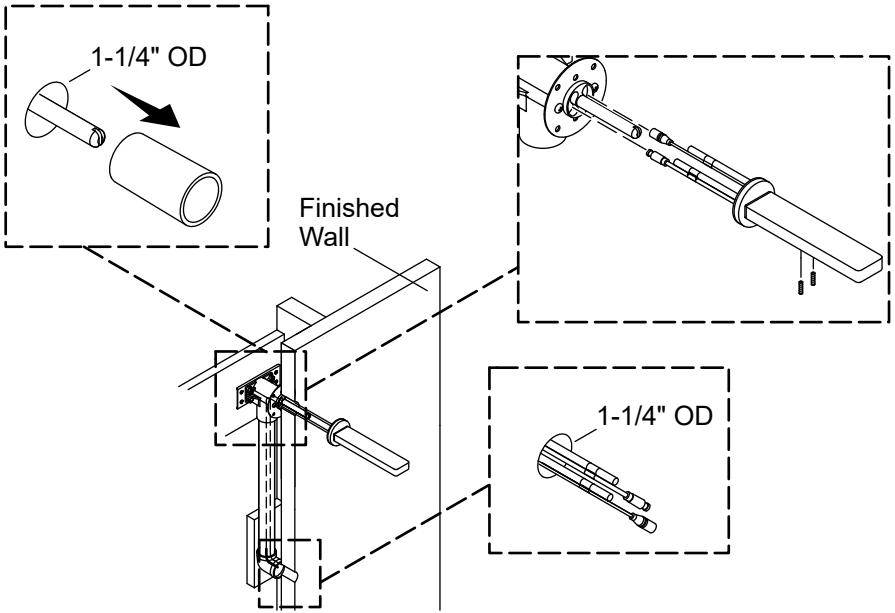


- For ease when routing the cables and tubes, use electrical tape to secure one of the cables to one of the tubes. Repeat for the remaining cable and tube.

NOTE: Do not damage the spout finish while installing the escutcheon.

- Route the cables and tubes through the escutcheon to install the escutcheon onto the spout.

4. Secure the Spout



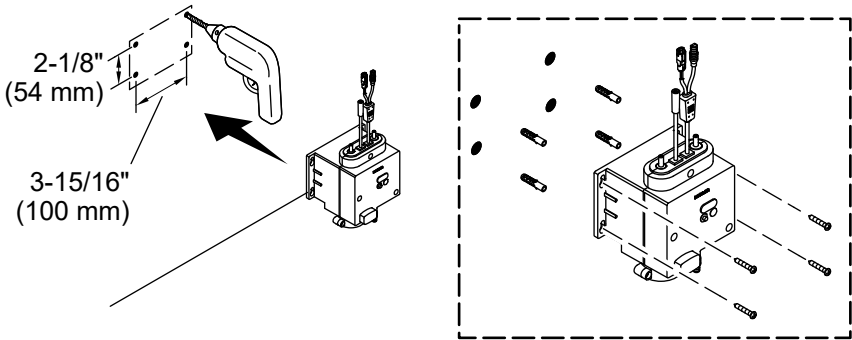
NOTE: The soap dispenser sensor must be pointed toward the sink and not toward the deck to properly function.

- Remove the plaster guard.

NOTE: Avoid pinching and twisting the cables and tubes when installing the spout.

- Feed the cables and tubes from the spout through the mounting bracket and down through the PVC tubing.
- Slide the spout assembly onto the mounting pin until flush with the wall.
- Pull the cables and tubes from the spout out through the hole leading to the control box location.
- If desired, add sealant to the underside of the escutcheon. Wipe away excess sealant.
- Tighten the two setscrews (provided) to secure the spout to the mounting bracket.

5. Install the Control Box

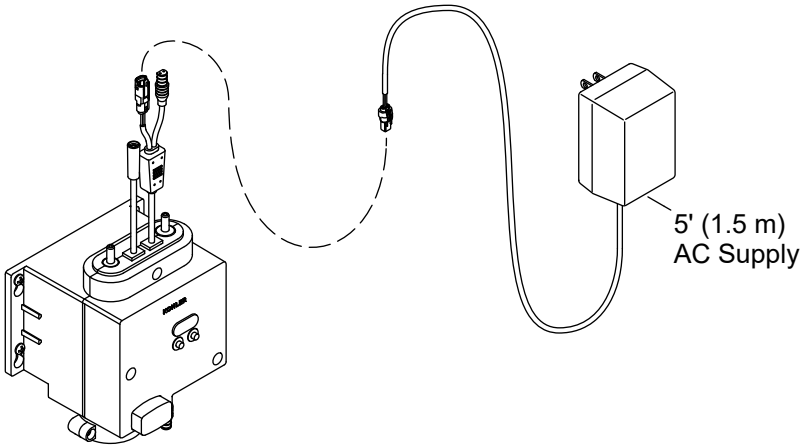


NOTE: A minimum 4" (102 mm) clearance is needed between the soap reservoir and the inside cabinet/floor. See the Specification Sheet for the control box location.

NOTE: The provided wall anchors are for concrete wall installation. Use the appropriate wall anchors for your wall material.

- Mark the location of the mounting holes.
- Drill the holes per the anchor manufacturers instructions. If using the provided wall anchors, drill 1/4" (6 mm) pilot holes.
- Attach the control box to the wall as shown.
- Secure with the four screws provided.

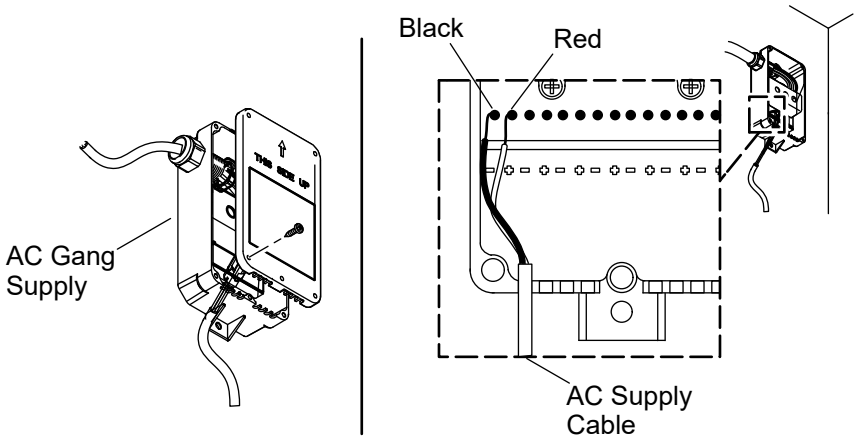
6. Install the AC Single Supply



IMPORTANT! Follow the correct power system installation based on your model. For a multi-output AC supply power unit installation, refer to "Install AC Multi-Output Supply."

- Connect the power cord from the control box to the power cord from the Single AC Supply K-13480-A-NA. Maintain a drip loop when connecting.
- Plug the AC supply into an unswitched 120 VAC electrical outlet.
- Secure any excess wire under the deck.

7. Install the AC Multi-Output Supply



IMPORTANT! Follow the correct power system installation based on your model. For a single AC supply power unit installation, refer to Install the “AC Single Supply.”

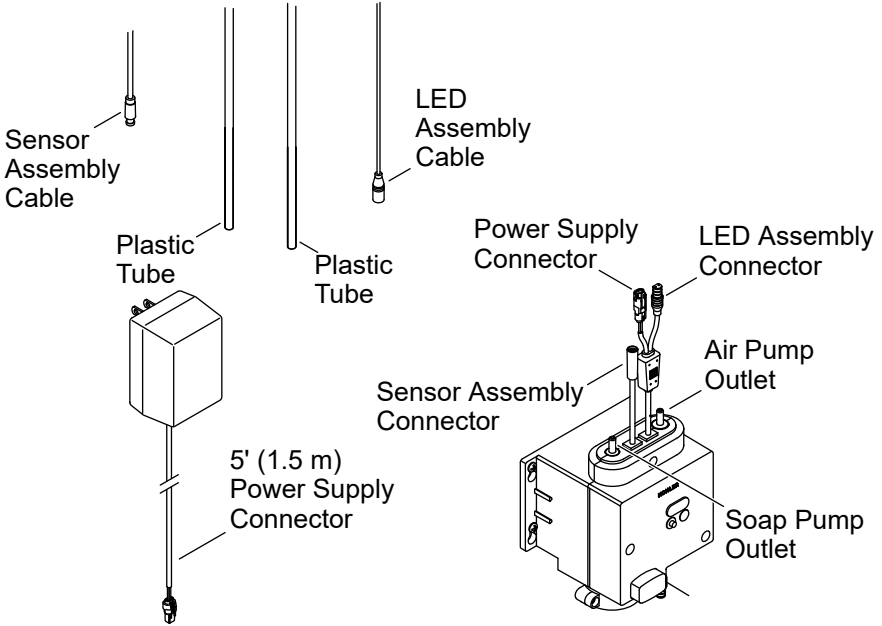
IMPORTANT! Installation must not exceed two soap dispensers and two faucets on a multi-outlet supply.

- Mount the AC supply under the deck using the two screws provided. Orient as shown.
- Remove the cover.
- Connect the faucet wire to the faucet. Maintain a drip loop when connecting.
- If needed, cut and strip the AC supply wires to length.
- Connect the stripped ends to the bottom terminal block in the supply box.
- Secure the terminal box cover to the terminal box.

NOTE: AC supply cables are available in lengths of 4' (1.2 m), 6' (1.8 m), and 10' (3 m).

- Connect the power cord from the control box to the power cord from the Multi-outlet AC Power Supply K-13481-A-NA. Maintain a drip loop when connecting.
- Plug the AC supply into an unswitched 120 VAC electrical outlet.
- Secure any excess wire under the deck.

8. Connect the Control Box Wires



IMPORTANT! Verify that the cables are not pinched when connecting to the control box.

IMPORTANT! The area in front of the sensor must be free of objects during the 2 minute learning cycle or the soap dispenser may not function properly.

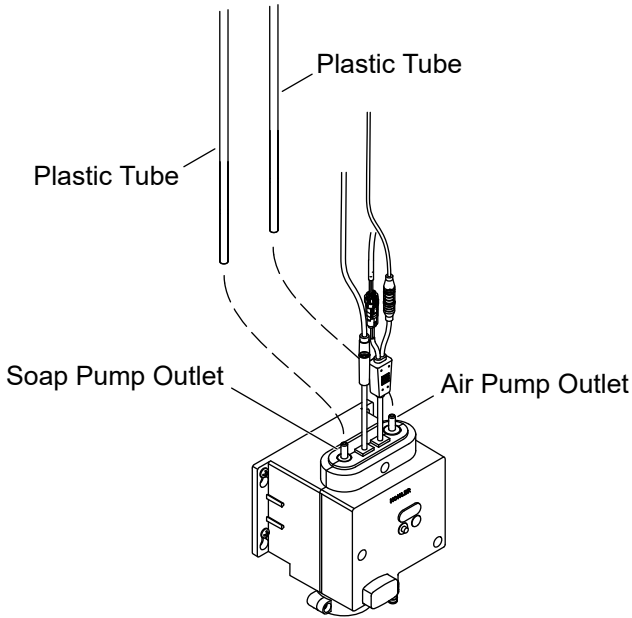
- Connect the sensor assembly cable from the spout to the sensor assembly connector from the control box.
- Connect the LED assembly cable from the spout to the LED assembly connector from the control box.
- Connect the power supply connector from the battery box to the power supply connector from the control box.
- Allow 2 minutes for the sensor to cycle through the automatic sensing distance.

NOTE: When the power source is connected, the LED at the base of the spout will turn BLUE for 1.5 seconds, and then RED for 1.5 seconds. This confirms that all required cable connections have been completed.

NOTE: The default sensor range is $2.75" \pm 0.275"$ (70mm \pm 7mm) after power is connected. To change sensor range, follow the steps in the "Self-Learning Sensor Range Adjustment" section.

- Secure any extra wire under the deck.

9. Connect the Tubes



IMPORTANT! Verify that the tubes are not pinched when connecting the control box outlets. Do not coil or loop the extra tubing.

NOTE: The plastic tubes are interchangeable. Either tube can be connected to the soap or air pump outlet.

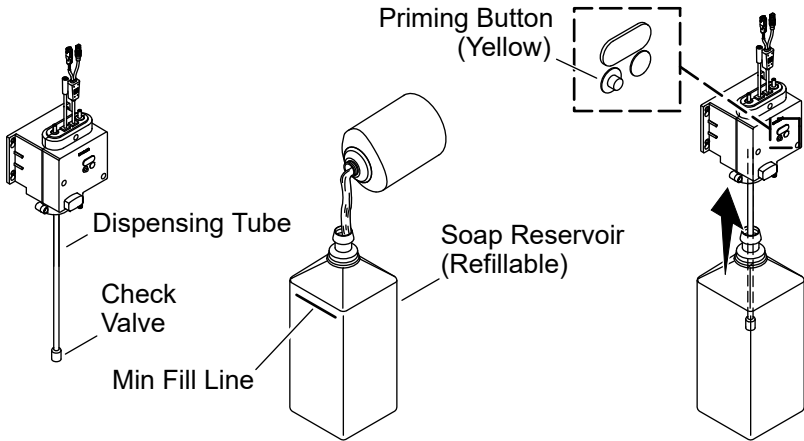
Soap Pump Connections

- Verify that the plastic tube from the spout is the appropriate length to reach the control box.
- The tube should not hang below the outlet of the control box. Cut the tube if necessary.
- Press the plastic tube onto the soap pump outlet on the control box until the tube stops.
- Verify that the tube is secure.

Air Pump Connections

- Verify that the plastic tube from the spout is the appropriate length to reach the control box.
- The tube should not hang below the outlet of the control box. Cut the tube if necessary.
- Press the remaining plastic tube onto the air pump outlet on the control box until the tube stops.
- Verify that the tube is secure.

10. Fill the Soap Reservoir



CAUTION: Risk of product damage. Fill the soap reservoir with soap only when the building is commissioned/opened and construction is completed. Do not fill the soap reservoir when the soap dispenser will not be used for extended periods of time (weeks or months) after the initial installation. If necessary, use clean warm water to test the soap dispenser function. Empty the soap reservoir after test.

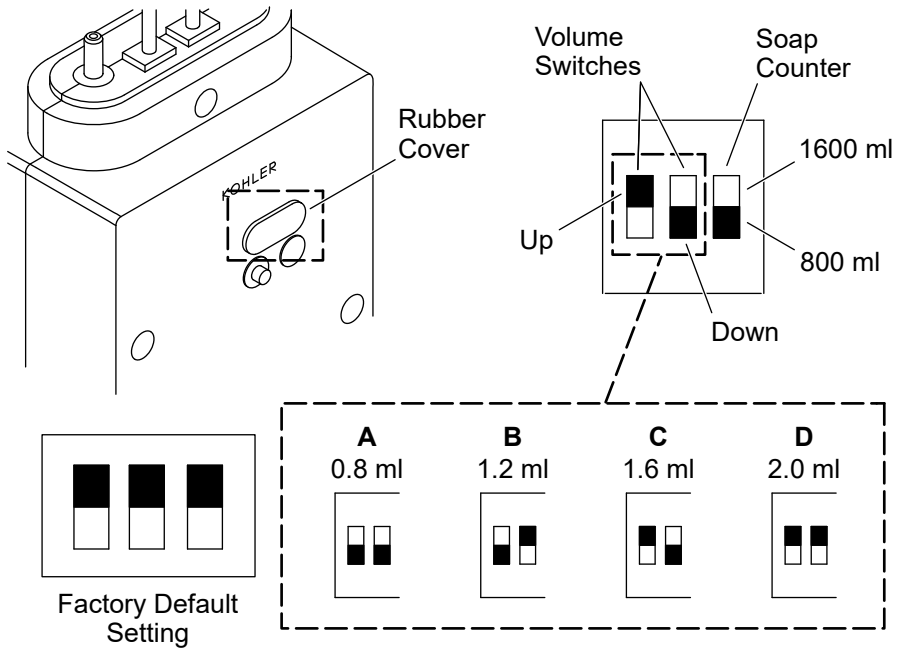
IMPORTANT! Rinse the inside of the empty soap reservoir with clean warm water before first use.

NOTE: The 1600 ml soap reservoir is included. Refer to kohler.com/serviceparts for the optional 800 ml soap reservoir.

NOTE: Refer to the “Soap Requirements” section for more information on the soap requirements for this product.

- Fill the soap reservoir with KOHLER brand foaming hand soap or foaming hand soap with 1cP – 100 cP to the “Min Fill” line. Do not overfill the soap reservoir.
- Insert the dispensing tube from the control unit into the soap reservoir.
- Press the soap reservoir into place until an audible click is heard.
- Press the yellow priming button located on the control unit after each soap refill until the soap streams out of the spout nozzle (approximately 10 seconds).

11. Set the Volume of Soap Dispensed



IMPORTANT! Four options are available to control the amount of soap dispensed. The desired option is set by moving the volume switches to an up or down position.

NOTE: The factory default setting of the soap dispense volume is 2 ml. The factory default setting of the soap bottle size is 1600 ml.

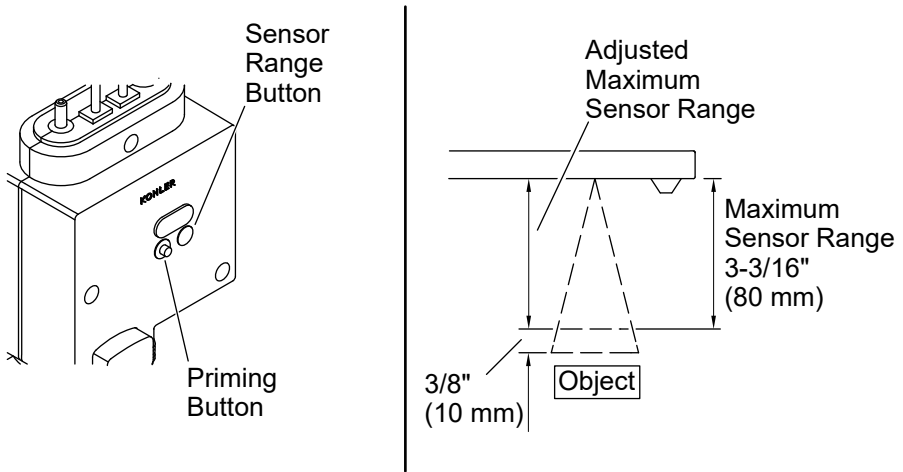
NOTE: The dispenser comes equipped with a 1600 ml reservoir, and the soap counter is set to the 1600 ml position. If an 800 ml reservoir is used, move the soap counter to the 800 ml position.

- Lift the rubber cover to access the control switches.
- Set the position of the two volume switches for the desired volume of soap dispensed. Refer to the settings shown above.
- Verify that the soap counter switch is set to the correct position for your reservoir size.

- Close the rubber cover.
- Refer to the chart below for the approximate number of dispenses available based on the volume setting and a full 800 ml or 1600 ml reservoir.

Setting	Soap Volume Dispensed	1600 ml Bottle Soap Count	800 ml Bottle Soap Count
A	0.8 ml	1700	850
B	1.2 ml	1133	567
C	1.6 ml	850	425
D	2.0 ml	680	340

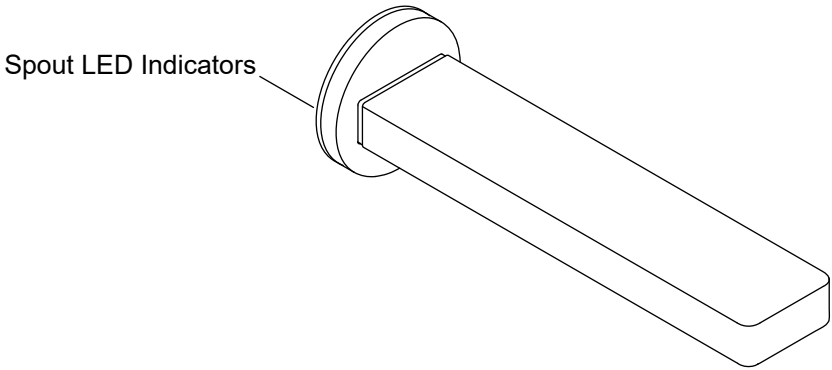
12. Self-Learning Sensor Range Adjustment



NOTE: The default sensor distance is 2-3/4" +/- 1/4" (70 mm +/- 6 mm).

- Press the light grey sensor range button on the soap dispenser control unit for at least 2 seconds to start the sensor self-learning mode and adjust the sensor range.
- The LED at the base of the spout will emit red light for 2 seconds indicating that the sensor self-learning mode has started.
- The sensor range will initially extend out to a maximum of 3-3/16" (80 mm).
 - If no object is detected, the sensor range will adjust to back to the 2-3/4" (70 mm) default sensor range setting.
 - If an object is detected, the maximum sensor range will adjust by creating a 3/8" (10 mm) space between the end of the sensing cone and the detected object.
- During the sensor range self-learning operation, the LED will blink red twice every 1 second for a total of 10 seconds. This indicates that the sensor self-learning mode is in process.
- The LED will emit a blue light for 2 seconds to indicate that the self-learning sensor range adjustment period has been completed and was successful. The LED will emit a red light for 2 seconds if the self-learning mode has failed. The red LED light will remain constantly on if the detected object is too near to the sensor lens. This condition can be corrected by removing the object and restarting the sensor self-learning mode.

Spout LED Indicators



Low Battery - Flashing BLUE

The base of the soap dispenser will flash BLUE every 6 seconds when the voltage is lower than 4.8 V. The soap dispenser will continue to dispense soap.

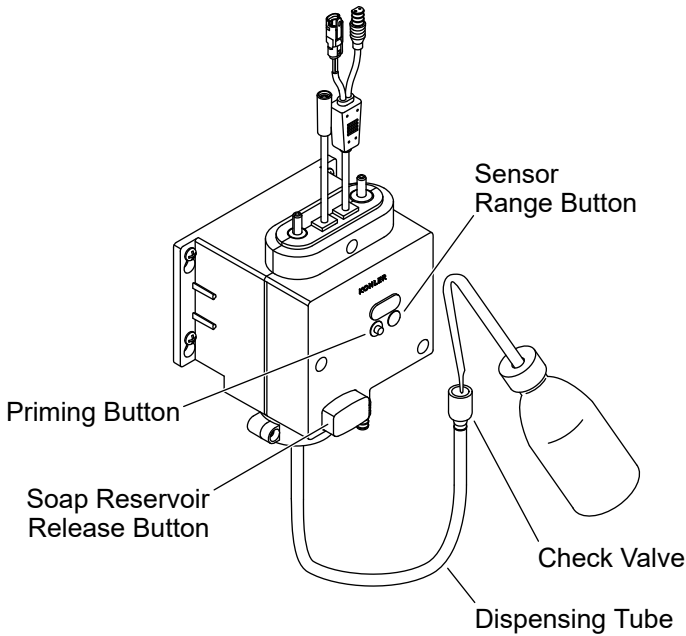
The base of the soap dispenser will flash (twice) BLUE every 6 seconds when the voltage is lower than 4.5 V. The soap dispenser will not work. Replace the batteries.

Low Soap - Flashing RED

The base of the soap dispenser will flash RED every 6 seconds when the soap is running low. The soap dispenser will continue to dispense soap.

The base of the soap dispenser will flash (twice) RED every 6 seconds when the soap is empty. The soap dispenser will not dispense soap. Refill the soap reservoir and reprime the dispenser.

Maintenance - Re-establish Priming



NOTE: The pump gear cavity will dry up and prime will be lost if the unit is activated and the inlet is only sucking air (empty soap bottle). The following steps will re-establish priming.

- Press the soap reservoir release button to disengage the soap reservoir from the control unit assembly.
- Clean the check valve from the dispensing tube with warm water.
- Fill the dispensing tube with water or soap using a small bottle with a nozzle.
- Attach the full bottle of soap to the control unit assembly.
- Press and hold the priming button for approximately 10 seconds after each soap refill until the soap streams out from the spout nozzle.

Care and Cleaning

Do not use any abrasive or harsh cleaners to clean the spout.

For best results, keep the following in mind when caring for your KOHLER product:

Always test your cleaning solution on an inconspicuous area before applying to the entire surface. Visit kohler.com/clean for KOHLER brand faucet cleaner products.

Wipe surfaces clean and rinse completely with water immediately after applying cleaner. Rinse and dry any overspray that lands on nearby surfaces.

Do not allow cleaners to soak on surfaces.

Use a soft, dampened sponge or cloth. Never use an abrasive material such as a brush or scouring pad to clean surfaces.

Upon cleaning other areas of the restroom be sure that the sensor lenses are protected from other cleaning chemicals/solvents to prevent potential damages to the sensor and/or electronics.

It is recommended to flush the system with warm water every 2 to 3 months.

- Remove and clean the nozzle foaming assembly with warm water.
- Remove and clean the check valve from the dispensing tube in the soap reservoir with warm water.
- Clean the soap reservoir then fill with minimal clean warm water. Reattach the soap reservoir to the control box. Press and hold the yellow priming button until all residual water is pushed through the soap dispenser.
- Empty the soap reservoir.
- Refill the soap reservoir with the appropriate foaming hand soap. Press and hold the yellow priming button until any residual water is pushed through the pump and soap is dispensed.

Troubleshooting

This troubleshooting guide is for general aid only. For warranty service, contact your dealer, wholesale distributor, or call 1-800-4KOHLER.

Symptoms	Probable Cause	Recommended Action
1. A red LED light flashes at the base of the soap dispenser once every 6 seconds.	A. The soap is running low (70% of the soap has been used after priming).	A. Refill the soap reservoir with appropriate foaming hand soap. Prime the soap dispenser to restart the soap dispenser.
2. A red LED light flashes at the base of the soap dispenser twice every 6 seconds and the soap dispenser has stopped dispensing soap.	A. The soap is out or very low (90% of the soap has been used after priming).	A. Refill the soap reservoir with appropriate foaming hand soap. Prime the soap dispenser to restart the soap dispenser.
3. A blue LED light flashes at the base of the soap dispenser once every 6 seconds.	A. The batteries are running low (lower than 4.8 V).	A. Replace the batteries. Refill the soap reservoir with appropriate foaming hand soap. Prime the soap dispenser to restart the soap dispenser.

Symptoms	Probable Cause	Recommended Action
<p>4. A blue LED light flashes at the base of the soap dispenser twice every 6 seconds and the soap dispenser has stopped dispensing soap.</p>	<p>A. The batteries are out of power (lower than 4.5 V).</p>	<p>A. Replace the batteries. Refill the soap reservoir with appropriate foaming hand soap. Prime the soap dispenser to restart the soap dispenser.</p>
<p>5. No soap dispenses.</p>	<p>A. The sensor lens is dirty. B. The sensor assembly cable is disconnected. C. The tube (soap and air) is disconnected. D. No power supply or wrong connection. E. The soap pump is not primed after refilling. F. The dispensing tube/check valve is blocked. G. Object is within sensing range. H. The nozzle/foaming device is plugged. I. Motor does not actuate.</p>	<p>A. Wipe the sensor lens with a clean, dry, soft cloth. B. Reconnect the sensor assembly cable. C. Reconnect the tube to the control box. D. Check the power supply connection. E. Press the yellow priming button located on the control unit after each soap refill until the soap streams out of the spout nozzle (approximately 10 seconds). F. Clean the dispensing tube/check valve with warm water. G. Remove the object from the sensor range and wait 20 seconds before activating the soap dispenser. H. Clean the nozzle and the check valve. Re-establish priming. I. Check the power supply connections. Replace the battery. Order and install a new control unit assembly.</p>

Symptoms	Probable Cause	Recommended Action
6. The volume of soap dispensed is small or nonexistent.	<p>A. The nozzle is clogged.</p> <p>B. The check valve is clogged.</p> <p>C. The soap pump is not working correctly.</p>	<p>A. Remove the soap nozzle and foaming assembly. Clean with warm water.</p> <p>B. Remove the check valve from dispensing tube. Clean with warm water.</p> <p>C. Order and install a new control unit assembly.</p>
7. Only air bubbles are dispensing.	<p>A. The soap pump outlet is clogged.</p> <p>B. The soap pump is leaking.</p> <p>C. The soap pump lost priming.</p>	<p>A. Remove the soap pump tubing. Clean the soap pump outlet with warm water.</p> <p>B. Order and install a new control unit assembly.</p> <p>C. Refer to the re-establish priming steps in the "Prepare the Soap Dispenser" section.</p>
8. No foam is dispensing. Only liquid soap is dispensing.	<p>A. The air pump is disconnected.</p> <p>B. The air pump/ tube is clogged.</p> <p>C. The air pump is not working.</p>	<p>A. Check the air pump connection and reconnect the tube to the control box.</p> <p>B. Remove the air pump tubing. Clean the air pump outlet with warm water.</p> <p>C. Order and install a new control unit assembly.</p>
9. Pump prime is lost or air is in the pump/ tubing.	<p>A. The soap reservoir was not filled and/or the yellow prime button was not pressed.</p>	<p>A. Re-establish pump prime per the care and cleaning instructions.</p>

Compliance

This device complies with Part 15 of the FCC Rules. Operation is subject to the following two conditions: (1) this device may not cause harmful interference, and (2)

this device must accept any interference received, including interference that may cause undesired operation.

Changes or modifications not expressly approved by the party responsible for compliance could void the user's authority to operate the equipment.

This equipment has been tested and found to comply with the limits for a Class B digital device, pursuant to Part 15 of the FCC Rules. These limits are designed to provide reasonable protection against harmful interference in a residential installation. This equipment generates, uses, and can radiate radio frequency energy and, if not installed and used in accordance with the instructions, may cause harmful interference to radio communications. However, there is no guarantee that interference will not occur in a particular installation. If this equipment does cause harmful interference to radio or television reception, which can be determined by turning the equipment off and on, the user is encouraged to try to correct the interference by one of the following measures:

- Reorient or relocate the receiving antenna.
- Increase the separation between the equipment and receiver.
- Connect the equipment into an outlet on a circuit different from that to which the receiver is connected.
- Consult the dealer or an experienced radio/TV technician for help.

This Class B digital apparatus complies with Canadian ICES-003.

Instructions d'installation

Distributeur de savon sans contact alimenté par
c.a.

F
R

Merci d'avoir choisi KOHLER

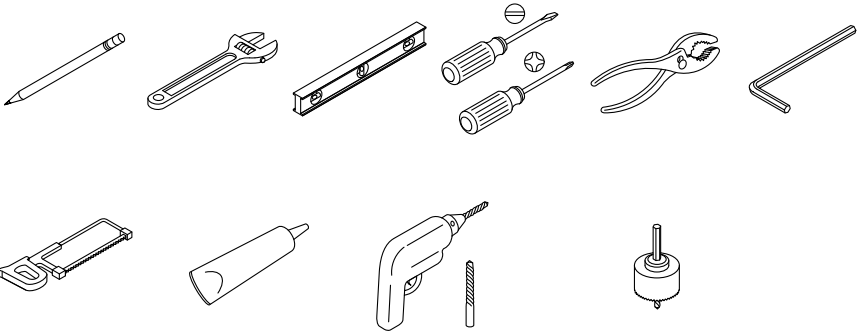
Besoin d'aide? Appeler notre centre de services à la clientèle.

- USA/Canada : 1-800-4KOHLER (1-800-456-4537) Mexique : 001-800-456-4537
Heures d'ouverture : Lundi au vendredi de 8 h à 17 h (HNC)
Langues parlées : Anglais, Espagnol, et des services de traduction sont disponibles.
- **Pièces de rechange** : kohler.com/serviceparts
- **Entretien et nettoyage** : kohler.com/clean
- **Brevets** : kohlercompany.com/patents

Garantie

Ce produit est couvert sous la **garantie limitée d'un an KOHLER®**, fournie sur le site kohler.com/warranty. Pour obtenir une copie imprimée des termes de la garantie, s'adresser au centre de services à la clientèle.

Outils et matériel



Mastic d'étanchéité

1/4 po

Mèche à orifice de 1-1/4 po

Plus:

- Matériel pour entretoises en bois
- Outils de menuiserie
- Vis à bois n° 8
- Tuyau Schedule 40 PVC de 1-1/2 po et coude de 90 degrés
- Bride en U
- Ruban électrique
- Savon moussieux pour mains (Viscosité dynamique 1 cP – 100 cP)
- Alimentation c.a. unique K-13480-A-NA
- Alimentation c.a. multiprises K-13481-A-NA

Avant de commencer




AVERTISSEMENT : Lors de l'utilisation de produits électriques, toujours suivre les mesures de précaution de base, dont les suivantes :




AVERTISSEMENT : **Risque de choc électrique.** Uniquement connecter à un circuit protégé par un disjoncteur de fuite de terre (GFCI)*. Une mise à la terre est requise. L'appareil doit être installé et mis à la terre par un représentant technique qualifié.



AVERTISSEMENT : **Risque de choc électrique.** Débrancher l'alimentation électrique avant un entretien.

 **AVERTISSEMENT : Risque de blessures ou de dommages matériels.** Lire toutes les instructions avec attention avant de commencer l'installation.

 **ATTENTION : Risque d'endommagement du produit.** Ce produit contient des composants électroniques sensibles. Ne pas stocker des récipients de produits chimiques ou de nettoyage ouverts à proximité de ce produit.


Le produit en question peut être différent de celui qui est illustré. La procédure d'installation reste la même. Se reporter à la fiche de spécifications pour les dimensions de la plomberie brute en ce qui concerne les conditions requises du modèle en question.


Fournir une prise électrique continue de 120 V c.a. non commutée placée sous le lavabo dans un rayon de 5 pi (1,5 m) du boîtier de commande.

Respecter tous les codes de plomberie et du bâtiment locaux.

*Hors de l'Amérique du Nord, ce dispositif pourrait être connu sous le nom de dispositif à courant résiduel (RCD).

Conditions requises pour le savon

 **ATTENTION : Risque d'endommagement du produit.** Le savon moussant pour les mains doit avoir un coefficient de viscosité dynamique compris entre 1 et 100 centipoises (cP) mesuré en cP ou en unités de grammes/cm-s. Les savons dont la viscosité dynamique est supérieure à 100 cP peuvent causer une usure prématurée et endommager les composants du distributeur de savon.

 **ATTENTION : Risque d'endommagement du produit.** Seulement utiliser du savon pour les mains liquide et moussant qui ne contient pas des particules restant en suspension ou des microbilles. Ne pas utiliser des savons pour les mains liquides mais non moussants; ces savons ont généralement un coefficient de viscosité dynamique de 1 000 à 3 500 cP.

 **ATTENTION : Risque d'endommagement du produit.** Ne pas utiliser de savon à base d'alcool et/ou des savons avec de l'alcool.

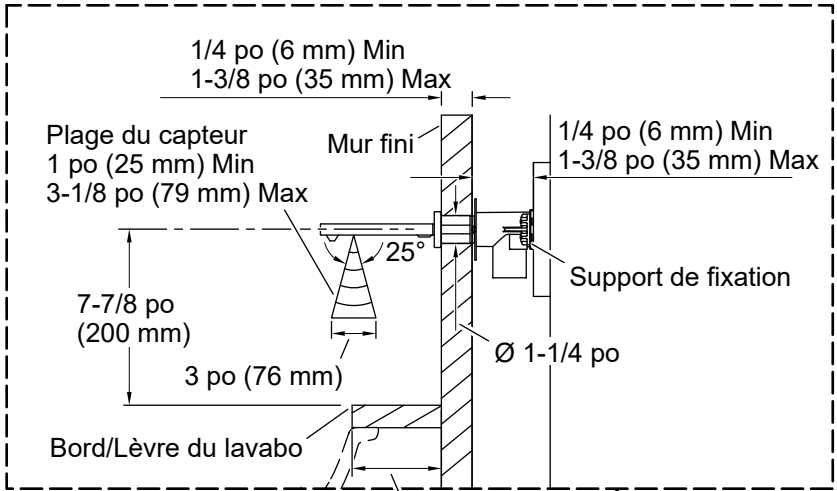
IMPORTANT! Pour un fonctionnement normal, le capteur du distributeur de savon doit être dirigé dans le lavabo et non pas vers la plateforme/le dessus du comptoir.

IMPORTANT! Le savon doit seulement être ajouté lorsque le produit sera utilisé normalement. Ne pas remplir le réservoir de savon lorsque le distributeur de savon ne sera pas utilisé pendant des périodes prolongées (semaines ou mois) après l'installation initiale.

REMARQUE : Les savons moussants pour les mains de la marque KOHLER sont formulés avec précision pour être utilisés avec ce produit et ont un coefficient de viscosité dynamique de 1 cP à 100 cP.

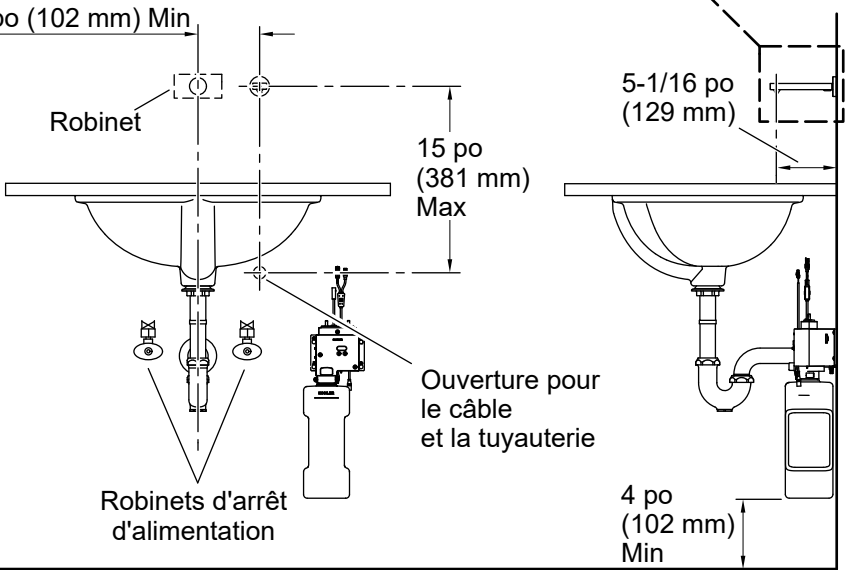
REMARQUE : Consulter le site kohler.com pour obtenir de l'information supplémentaire sur les savons moussants pour les mains recommandés. Les fiches signalétiques publiées des fabricants de savon fournissent de l'information précise sur les propriétés du matériau et le coefficient dynamique du savon.

Plomberie brute



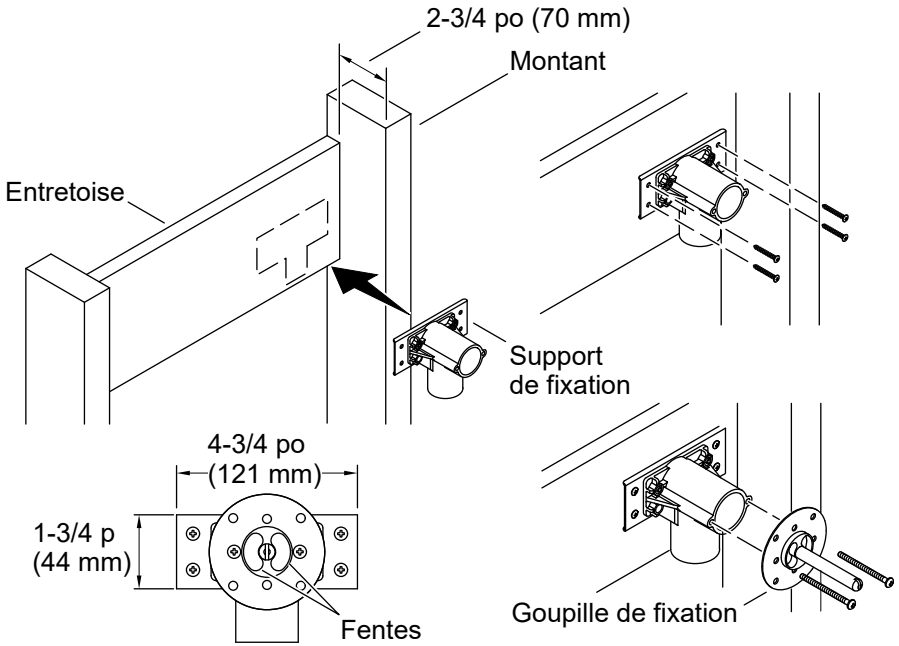
4 po (102 mm) Max

4 po (102 mm) Min



Plancher

1. Installer le support de fixation



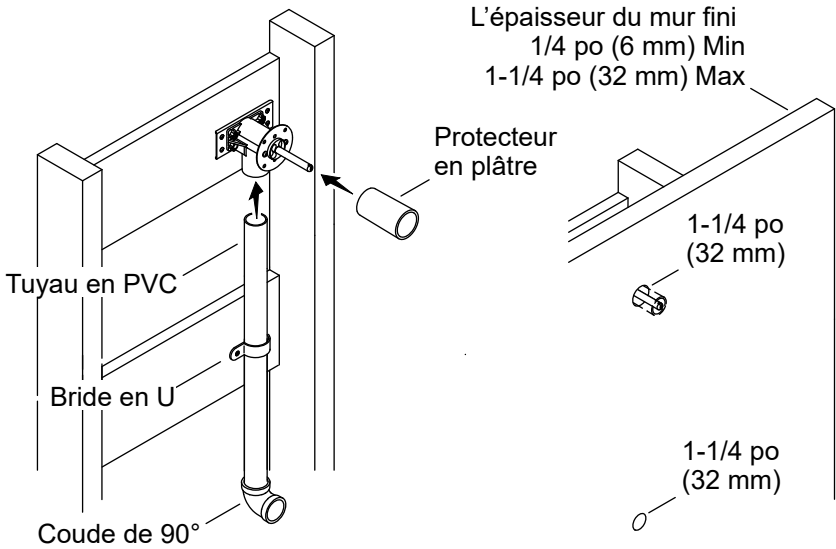
IMPORTANT! Le produit en question peut être différent de celui qui est illustré. La procédure d'installation reste la même. Se reporter à la fiche de spécifications pour les dimensions de la plomberie brute en ce qui concerne les conditions requises du modèle en question.

- Construire le cadrage pour l'installation en question.
- Sécuriser le support de fixation sur l'entretoise en utilisant quatre vis à bois de taille n° 8.
- Retirer le protecteur en plâtre.

REMARQUE : Vérifier l'orientation des fentes comme indiqué ci-dessus.

- Fixer la goupille de fixation sur le support de fixation en utilisant les deux vis fournies.

2. Installer la tuyauterie (recommandé)



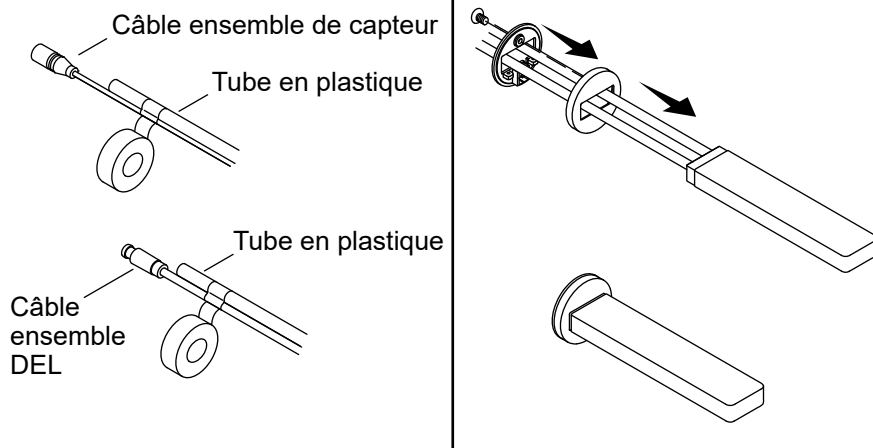
REMARQUE : Les raccords et tuyaux en PVC (non fournis) peuvent être attachés sur le support de fixation pour acheminer les câbles et les tubes du bec vers le boîtier de commande. Se reporter à la fiche de spécifications pour déterminer l'emplacement du boîtier de commande.

- Raccorder un tuyau en PVC droit sur le support de fixation comme indiqué. Vérifier que le tube est assez long pour atteindre le boîtier de commande.
- Fixer le tuyau en PVC sur le support de fixation avec des brides en U (non fournies).
- Coller un coude en PVC de 90 degrés sur l'extrémité du tuyau en PVC à l'emplacement d'installation du boîtier de commande.
- Réinstaller le protecteur en plâtre sur la goupille de fixation.

REMARQUE : L'épaisseur du mur fini doit être de 1/4 po (6 mm) minimum à 1-1/4 po (32 mm) maximum.

- Finir le mur avec un trou de 1-1/4 po (32 mm) pour le bec.
- Finir le mur avec un trou de 1-1/4 po (32 mm) pour les câbles et la tubulure.

3. Préparer le bec

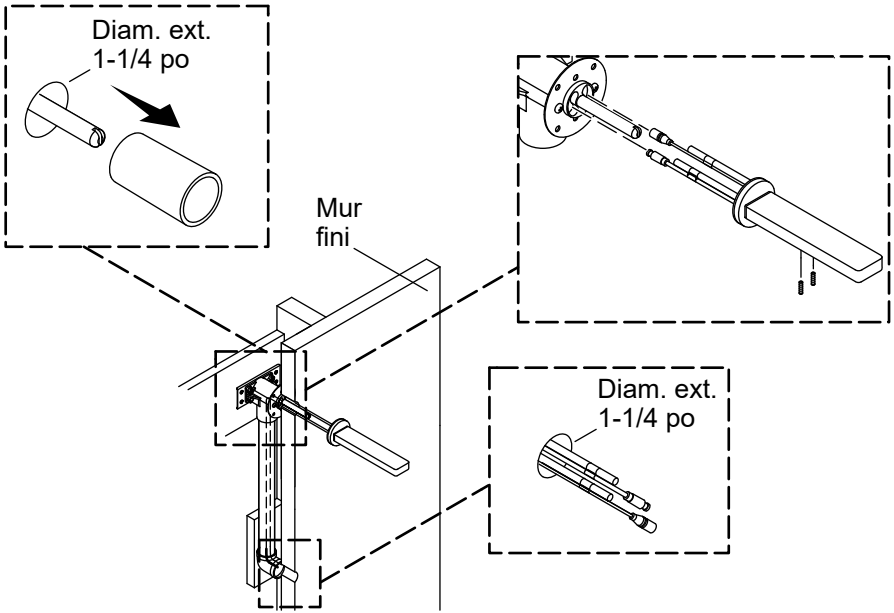


- Pour faciliter l'acheminement des câbles et des tubes, utiliser du ruban électrique pour fixer l'un des câbles sur l'un des tubes. Répéter pour l'autre câble et l'autre tube.

REMARQUE : Ne pas endommager la finition du bec lors de l'installation de la rosace.

- Acheminer les câbles et les tubes à travers la rosace pour installer la rosace sur le bec.

4. Fixer le bec en place



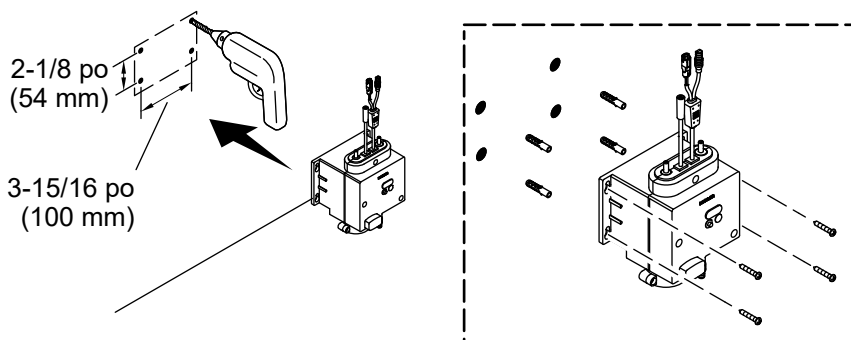
REMARQUE : Le capteur du distributeur de savon doit être dirigé vers le lavabo et non pas vers le comptoir pour pouvoir fonctionner correctement.

- Retirer le protecteur en plâtre.

REMARQUE : Éviter de pincer et de vriller les câbles et les tubes lors de l'installation du bec.

- Acheminer les câbles et les tubes en provenance du bec par le support de fixation et vers le bas à travers la tubulure en PVC.
- Glisser l'ensemble du bec sur la goupille de fixation jusqu'à ce qu'il soit à ras du mur.
- Tirer sur les câbles et les tubes du bec pour les faire sortir à travers le trou qui mène à l'emplacement du boîtier de commande.
- Si souhaité, ajouter du mastic d'étanchéité sur le dessous de la rosace. Essuyer l'excédent de mastic d'étanchéité.
- Serrer les deux vis d'arrêt (fournies) pour fixer le bec sur le support de fixation.

5. Installer le boîtier de commande

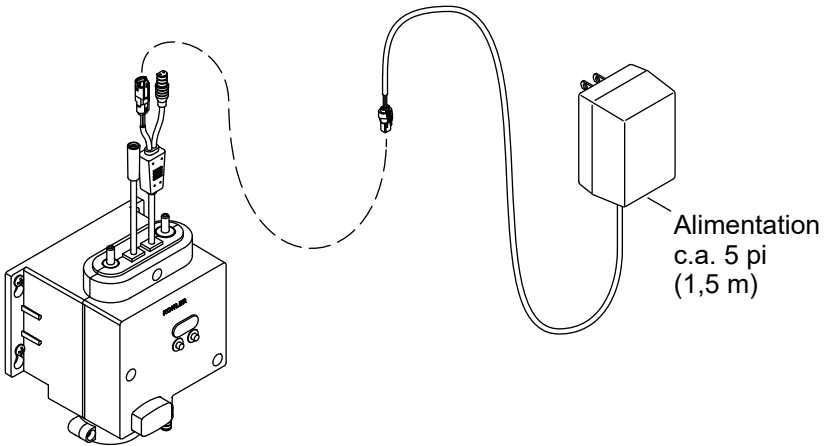


REMARQUE : Un dégagement minimum de 4 po (102 mm) est nécessaire entre le réservoir de savon et le plancher/meuble intérieur. Se reporter à la fiche de spécifications pour l'emplacement du boîtier de commande.

REMARQUE : Les chevilles d'ancrage mural fournies sont pour une installation sur un mur en béton. Utiliser les chevilles d'ancrage mural appropriées pour le matériau de mur en question.

- Marquer l'emplacement des trous de fixation.
- Percer les trous selon les instructions du fabricant des chevilles d'ancrage. Si les chevilles d'ancrage mural fournies sont utilisées, percer des trous pilotes de 1/4 po (6 mm).
- Attacher le boîtier de commande sur le mur comme indiqué.
- Sécuriser avec les quatre vis fournies.

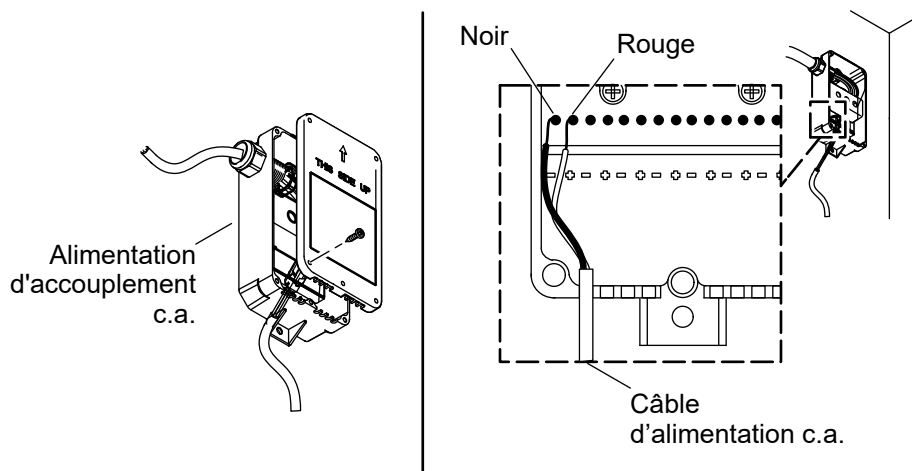
6. Installer l'alimentation c.a. unique



IMPORTANT! Suivre l'installation correcte du système d'alimentation électrique en fonction du modèle. Pour une installation d'unité d'alimentation électrique c.a. multiprise, se reporter à la section « Installer une alimentation c.a. multiprise ».

- Connecter le cordon d'alimentation en provenance du boîtier de commande au cordon d'alimentation en provenance de l'alimentation c.a. unique K-13480-A-NA. Maintenir une boucle d'égouttement lors de la connexion.
- Brancher le cordon d'alimentation c.a. dans une prise électrique de 120 V c.a. non commutée.
- Attacher tout excédent de fil sous la plateforme.

7. Installer l'alimentation de sortie c.a. multiprise



IMPORTANT! Suivre l'installation correcte du système d'alimentation en fonction du modèle en question. Pour une installation d'unité d'alimentation électrique c.a. unique, se reporter à la section « Installer une alimentation c.a. unique ».

IMPORTANT! L'installation ne doit pas dépasser deux distributeurs de savon et deux robinets sur une alimentation multiprise.

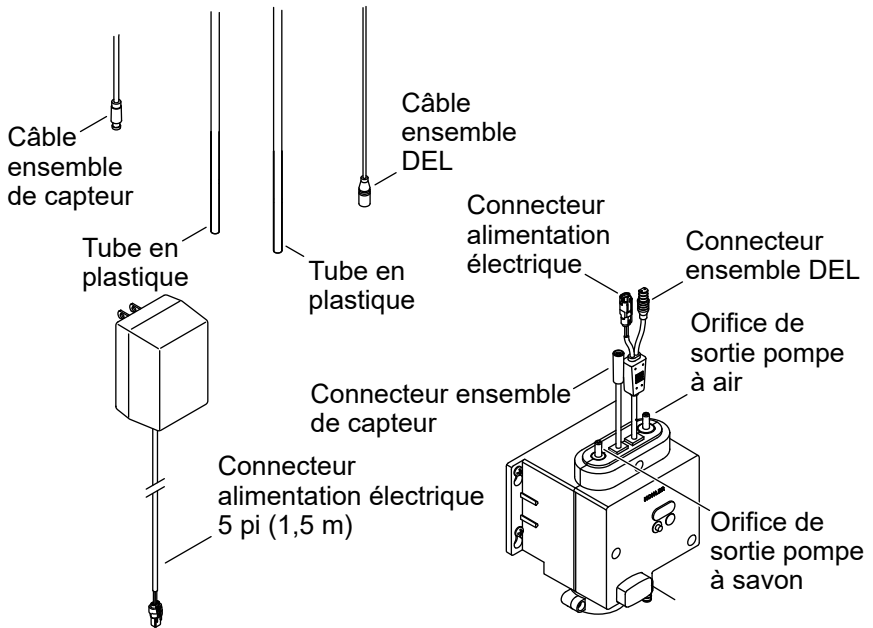
- Monter l'alimentation c.a. sous la plateforme en utilisant les deux vis fournies. Orienter comme sur l'illustration.
- Retirer le couvercle.
- Connecter le fil du robinet au robinet. Maintenir une boucle d'égouttement lors de la connexion.
- Le cas échéant, couper et dénuder les fils d'alimentation c.a. à la bonne longueur.
- Raccorder les extrémités dénudées au bornier inférieur dans le boîtier d'alimentation.
- Sécuriser le couvercle du boîtier à bornes sur le boîtier à bornes.

REMARQUE : Les câbles d'alimentation c.a. sont disponibles en longueurs de 4 pi (1,2 m), 6 pi (1,8 m) et 10 pi (3 m).

- Connecter le cordon d'alimentation en provenance du boîtier de commande au cordon d'alimentation en provenance de l'alimentation c.a. multiprises K-13481-A-NA. Maintenir une boucle d'égouttement lors de la connexion.

- Brancher le cordon d'alimentation c.a. dans une prise électrique de 120 V c.a. non commutée.
- Attacher tout excédent de fil sous la plateforme.

8. Connecter les fils du boîtier de commande



IMPORTANT! Vérifier que les câbles ne sont pas pincés lorsqu'ils sont connectés au boîtier de commande.

IMPORTANT! La zone à l'avant du capteur doit être exempte de tout objet durant le cycle d'apprentissage de 2 minutes, sinon le distributeur de savon pourrait ne pas fonctionner correctement.

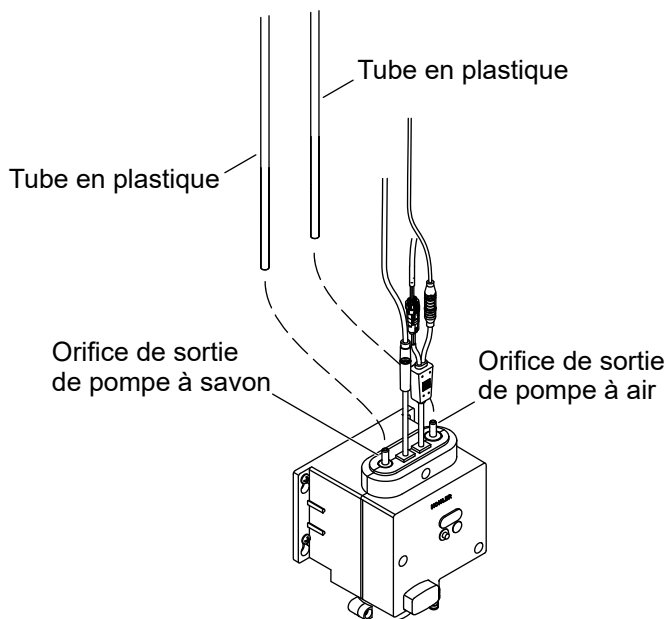
- Connecter le câble de l'ensemble du capteur en provenance du bec au connecteur de l'ensemble du capteur en provenance du boîtier de commande.
- Connecter le câble de l'ensemble DEL en provenance du bec au connecteur de l'ensemble DEL en provenance du boîtier de commande.
- Connecter le connecteur d'alimentation électrique en provenance du boîtier de piles au connecteur d'alimentation électrique en provenance du boîtier de commande.
- Attendre 2 minutes que le capteur balaye la distance de détection automatique.

REMARQUE : Lorsque la source d'alimentation électrique est connectée, le voyant DEL situé à la base du bec s'allumera en BLEU pendant 1,5 seconde, puis en ROUGE pendant 1,5 seconde. Cela confirme que toutes les connexions de câbles ont été effectuées.

REMARQUE : La plage par défaut du capteur est de 2,75 po \pm 0,275 po (70 mm \pm 7 mm) une fois que l'alimentation électrique a été connectée. Pour modifier la plage du capteur, suivre les étapes dans la section « Ajustement de l'auto-apprentissage de la plage du capteur ».

- Attacher tout excédent de fil sous le comptoir.

9. Connecter les tubes



IMPORTANT! Vérifier que les tubes ne sont pas pincés lorsqu'ils sont connectés aux orifices de sortie du boîtier de commande. Ne pas embobiner la tubulure supplémentaire et ne pas lui faire faire de boucle.

REMARQUE : Les tubes en plastique sont interchangeables. N'importe lequel des tubes peut être connecté à l'orifice de sortie du savon ou de la pompe à air.

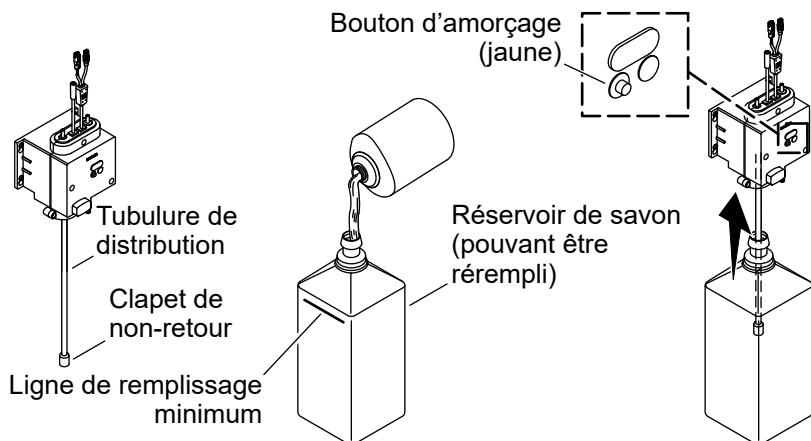
Raccords de la pompe à savon

- Vérifier que la longueur du tube en plastique en provenance du bec est de la longueur appropriée pour atteindre le boîtier de commande.
- Le tube ne doit pas être suspendu en dessous de l'orifice de sortie du boîtier de commande. Couper le tube si nécessaire.
- Enfoncer le tube en plastique sur l'orifice de sortie de la pompe à savon sur le boîtier de commande jusqu'à ce que le tube s'arrête.
- Vérifier que le tube est bien sécurisé.

Raccords de la pompe à air

- Vérifier que la longueur du tube en plastique en provenance du bec est de la longueur appropriée pour atteindre le boîtier de commande.
- Le tube ne doit pas être suspendu en dessous de l'orifice de sortie du boîtier de commande. Couper le tube si nécessaire.
- Enfoncer le tube en plastique restant sur l'orifice de sortie de la pompe à air sur le boîtier de commande jusqu'à ce le tube s'arrête.
- Vérifier que le tube est bien sécurisé.

10. Remplir le réservoir de savon



ATTENTION : Risque d'endommagement du produit. Remplir le réservoir de savon uniquement lorsque le bâtiment est mis en service/ouvert et lorsque la construction est terminée. Ne pas remplir le réservoir de savon lorsque le distributeur de savon ne sera pas utilisé pendant des périodes prolongées (semaines ou mois) après l'installation initiale. Si nécessaire, utiliser de l'eau chaude propre pour tester le fonctionnement du distributeur de savon. Vider le réservoir de savon après le test.

IMPORTANT! Rincer l'intérieur du réservoir de savon vide avec de l'eau chaude propre avant la première utilisation.

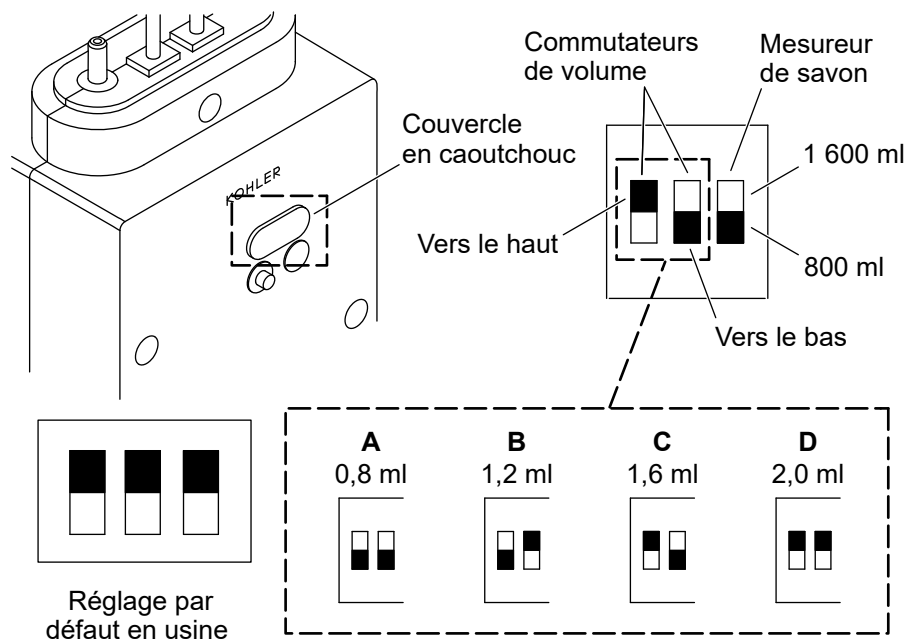
REMARQUE : Le réservoir de savon de 1600 ml est inclus. Consulter le site kohler.com/serviceparts pour le réservoir de savon de 800 ml optionnel.

REMARQUE : Se reporter à la section « Conditions requises pour le savon » pour obtenir de l'information supplémentaire sur les conditions requises pour le savon en ce qui concerne ce produit.

- Remplir le réservoir de savon avec du savon moussant pour les mains de la marque KOHLER ou avec du savon moussant pour les mains avec 1 cP à 100 cPs jusqu'à la ligne « Min Fill » (Remplissage minimum). Ne pas trop remplir le réservoir de savon.
- Insérer le tube de distribution en provenance du boîtier de commande dans le réservoir de savon.

- Enfoncer le réservoir de savon en place jusqu'à ce qu'un clic puisse être entendu.
- Appuyer sur le bouton d'amorçage jaune situé sur le boîtier de commande après chaque remplissage de savon jusqu'à ce que le savon s'écoule de la buse du bec (10 secondes environ).

11. Régler le volume du savon distribué



IMPORTANT! Quatre options sont offertes pour contrôler la quantité de savon distribué. L'option souhaitée est réglée en déplaçant les commutateurs de volume vers le haut ou vers le bas.

REMARQUE : Le réglage par défaut en usine du volume de distribution de savon est de 2 ml. Le réglage par défaut en usine de la taille de la bouteille de savon est de 1600 ml.

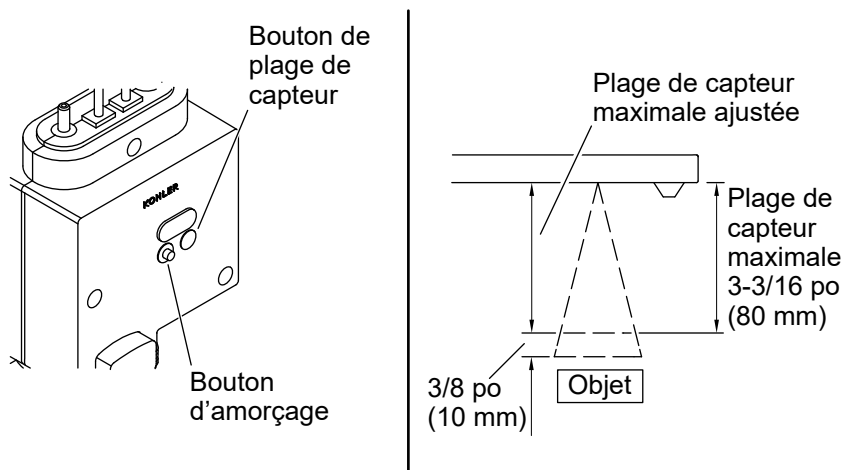
REMARQUE : Le distributeur est fourni équipé d'un réservoir de 1600 ml et le mesureur de savon est réglé à la position de 1600 ml. Si un réservoir de 800 ml est utilisé, déplacer le mesureur de savon à la position de 800 ml.

- Lever le couvercle en caoutchouc pour accéder aux commutateurs de commande.
- Régler la position des deux commutateurs de volume pour le volume de savon souhaité à distribuer. Se reporter aux réglages indiqués ci-dessus.
- Vérifier que le commutateur du mesureur de savon est réglé à la position correcte pour la taille du réservoir en question.

- Fermer le couvercle en caoutchouc.
- Se reporter au tableau ci-dessous pour le nombre approximatif de distributions disponibles en fonction du réglage de volume et d'un réservoir plein de 800 ml ou de 1600 ml.

Réglage	Volume de savon distribué	Mesure de savon en bouteille de 1 600 ml	Mesure de savon en bouteille de 800 ml
A	0,8 ml	1700	850
B	1,2 ml	1133	567
C	1,6 ml	850	425
D	2,0 ml	680	340

12. Ajustement de l'auto-apprentissage de la plage du capteur

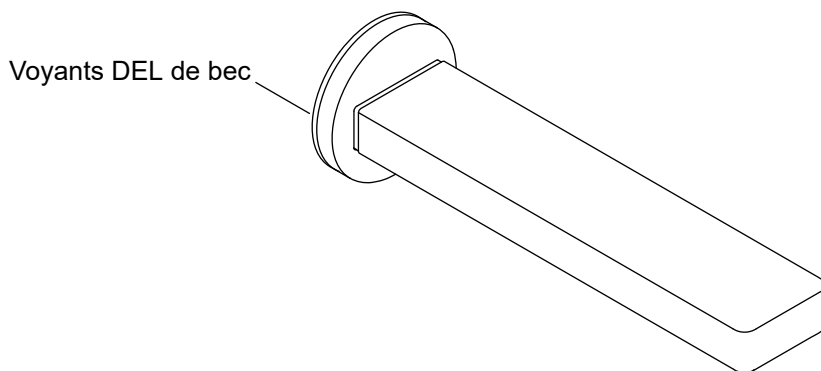


REMARQUE : La distance par défaut du capteur est de 2-3/4 po +/- 1/4 po (70 mm +/- 6 mm).

- Appuyer sur le bouton gris clair de la plage du capteur sur le boîtier de commande du distributeur de savon pendant 2 secondes au moins pour lancer le mode d'auto-apprentissage du capteur et ajuster la plage du capteur.
- Le voyant DEL situé sur la base du bec émettra un voyant rouge pendant 2 secondes pour indiquer que le mode d'auto-apprentissage du capteur a démarré.
- La plage du capteur se prolongera initialement sur un maximum de 3-3/16 po (80 mm).
 - Si aucun objet n'est détecté, la plage du capteur se réajustera à la configuration par défaut de la plage du capteur, soit à 2-3/4 po (70 mm).
 - Si un objet est détecté, la plage maximale du capteur s'ajustera en créant un espace de 3/8 po (10 mm) entre l'extrémité du cône de détection et l'objet détecté.
- Pendant l'opération d'auto-apprentissage de la plage du capteur, le voyant DEL clignotera en rouge deux fois toutes les secondes pendant un nombre total de 10 secondes. Cela indique que le mode d'auto-apprentissage du capteur est en cours.
- Le voyant DEL émettra une lumière bleue pendant 2 secondes pour indiquer que la période d'ajustement de l'auto-apprentissage de la plage du capteur a été

exécutée avec succès. Le voyant DEL émettra une lumière rouge pendant 2 secondes si le mode d'auto-apprentissage a échoué. Le voyant DEL rouge restera allumé continuellement si l'objet détecté est trop proche de la lentille du capteur. Cet état peut être rectifié en retirant l'objet et en redémarrant le mode d'auto-apprentissage du capteur.

Voyants DEL du bec



Piles faibles - Clignotement BLEU

La base du distributeur de savon clignotera en BLEU toutes les 6 secondes lorsque la tension est inférieure à 4,8 V. Le distributeur de savon continuera à distribuer du savon.

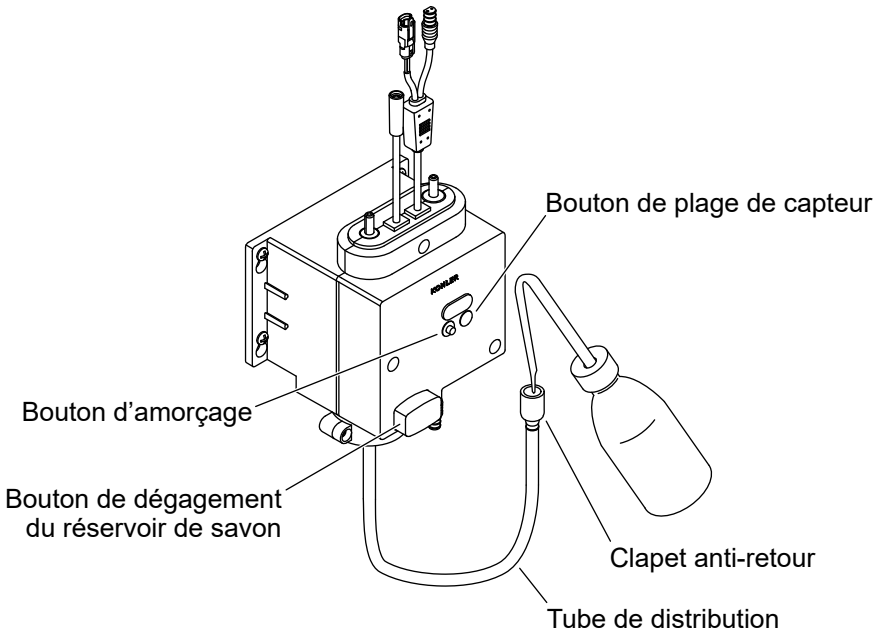
La base du distributeur de savon clignotera en BLEU (deux fois) toutes les 6 secondes lorsque la tension est inférieure à 4,5 V. Le distributeur de savon ne fonctionnera pas. Remplacer les piles.

Peu de savon - Clignotement ROUGE

La base du distributeur de savon clignotera en ROUGE toutes les 6 secondes lorsque le niveau de savon est bas. Le distributeur de savon continuera à distribuer du savon.

La base du distributeur de savon clignotera en ROUGE (deux fois) toutes les 6 secondes lorsqu'il n'y a plus de savon. Le distributeur de savon ne distribuera pas de savon. Remplir le réservoir de savon et réamorcer le distributeur.

Entretien - Rétablir l'amorçage



REMARQUE : La cavité de l'engrenage de la pompe s'asséchera et l'amorçage sera perdu si le dispositif est activé et si l'orifice d'entrée ne fait qu'aspirer de l'air (bouteille de savon vide). Les étapes suivantes rétabliront l'amorçage.

- Appuyer sur le bouton de déchargement du réservoir de savon pour dégager le réservoir de savon de l'ensemble du boîtier de commande.
- Nettoyer le clapet de non-retour du tube de distribution avec de l'eau chaude.
- Remplir le tube de distribution avec de l'eau ou du savon en utilisant une petite bouteille avec une buse.
- Attacher la bouteille de savon complète sur l'ensemble du boîtier de commande.
- Appuyer sur le bouton d'amorçage et continuer à appuyer pendant 10 secondes environ après chaque remplissage de savon, jusqu'à ce que le savon s'écoule de la buse du bec.

Entretien et nettoyage

Ne pas utiliser de nettoyeurs abrasifs ou forts pour nettoyer le bec.

Pour obtenir les meilleurs résultats possibles, prendre ce qui suit en considération lors de l'entretien de votre produit KOHLER :

Toujours tester la solution de nettoyage sur une surface non visible avant de l'appliquer sur l'ensemble de la surface. Visiter le site kohler.com/clean pour les produits de nettoyage de robinets Kohler.

Essuyer les surfaces et rincer complètement avec de l'eau immédiatement après l'application du nettoyeur. Rincer et sécher tout éclaboussement qui atterrit sur les surfaces avoisinantes.

Ne pas laisser les nettoyeurs tremper sur les surfaces.

Utiliser une éponge ou un chiffon doux et humide. Ne jamais utiliser de matériau abrasif comme une brosse ou une éponge à récurer pour nettoyer les surfaces.

Lors du nettoyage d'autres zones des toilettes, s'assurer que la lentille du capteur est protégée contre les autres produits chimiques/solvants de nettoyage afin d'éviter que le capteur et/ou les composants électroniques ne subissent des dommages potentiels.

Il est recommandé de rincer le système avec de l'eau chaude tous les 2 à 3 mois.

- Retirer et nettoyer l'ensemble de moussage de la buse avec de l'eau chaude.
- Retirer et nettoyer avec de l'eau chaude le clapet de non-retour de la tubulure de distribution dans le réservoir de savon.
- Remplir le réservoir de savon puis remplir avec une quantité minimum d'eau chaude propre. Réattacher le réservoir de savon sur le boîtier de commande. Appuyer sur le bouton jaune d'amorçage du système et continuer à appuyer jusqu'à ce que toute l'eau résiduelle ait été poussée par le distributeur de savon.
- Vider le réservoir de savon.
- Remplir le réservoir de savon avec le savon moussant pour mains approprié. Appuyer sur le bouton jaune d'amorçage et continuer à appuyer jusqu'à ce que toute l'eau résiduelle ait été poussée par la pompe et que le savon soit distribué.

Dépannage

Ce guide de dépannage est seulement destiné à fournir une aide d'ordre général. Pour le service de garantie, s'adresser au concessionnaire local, au distributeur en gros, ou composer le 1-800-4KOHLER.

Symptômes	Cause probable	Action recommandée
1. Un voyant DEL rouge clignote à la base du distributeur de savon une fois toutes les 6 secondes.	A. Il ne reste plus beaucoup de savon (70 % du savon a été utilisé après l'amorçage).	A. Remplir le réservoir de savon avec le savon moussant pour mains approprié. Amorcer le distributeur de savon pour redémarrer ce dernier.
2. Un voyant DEL rouge clignote à la base du distributeur de savon deux fois toutes les 6 secondes et le distributeur de savon s'est arrêté de distribuer du savon.	A. Il ne reste plus ou que très peu de savon (90 % du savon a été utilisé après l'amorçage).	A. Remplir le réservoir de savon avec le savon moussant pour mains approprié. Amorcer le distributeur de savon pour redémarrer ce dernier.
3. Un voyant DEL bleu clignote à la base du distributeur de savon une fois toutes les 6 secondes.	A. Les piles sont faibles (moins de 4,8 V).	A. Remplacer les piles. Remplir le réservoir de savon avec le savon moussant pour mains approprié. Amorcer le distributeur de savon pour redémarrer ce dernier.

Symptômes	Cause probable	Action recommandée
<p>4. Un voyant DEL bleu clignote à la base du distributeur de savon deux fois toutes les 6 secondes et le distributeur de savon s'est arrêté de distribuer du savon.</p>	<p>A. Les piles sont mortes (moins de 4,5 V).</p>	<p>A. Remplacer les piles. Remplir le réservoir de savon avec le savon moussant pour mains approprié. Amorcer le distributeur de savon pour redémarrer ce dernier.</p>

Symptômes	Cause probable	Action recommandée
5. Pas de distribution de savon.	<p>A. La lentille du capteur est sale.</p> <p>B. Le câble de l'ensemble du capteur est déconnecté.</p> <p>C. La tubulure (savon ou air) est déconnectée.</p> <p>D. Aucune alimentation électrique ou mauvaise connexion.</p> <p>E. La pompe à savon n'a pas été amorcée après le remplissage.</p> <p>F. La tubulure de distribution/le clapet de non-retour sont bloqués.</p> <p>G. Objet dans la plage de détection.</p> <p>H. La buse/le dispositif moussage sont bouchés.</p> <p>I. Le moteur ne s'actionne pas.</p>	<p>A. Essuyer la lentille du capteur avec un chiffon propre, sec et doux.</p> <p>B. Reconnecter le câble de l'ensemble du capteur.</p> <p>C. Reconnecter la tubulure au boîtier de commande.</p> <p>D. Vérifier la connexion d'alimentation électrique.</p> <p>E. Appuyer sur le bouton d'amorçage jaune situé sur le boîtier de commande après chaque remplissage de savon jusqu'à ce que le savon s'écoule de la buse du bec (10 secondes environ).</p> <p>F. Nettoyer la tubulure de distribution/le clapet de non-retour avec de l'eau chaude.</p> <p>G. Retirer l'objet compris dans la plage du capteur et attendre 20 secondes avant d'activer le distributeur de savon.</p> <p>H. Nettoyer la buse et le clapet de non-retour. Rétablir l'amorçage.</p> <p>I. Vérifier les connexions d'alimentation électrique. Remplacer les piles. Commander et installer un ensemble de boîtier de commande neuf.</p>

Symptômes	Cause probable	Action recommandée
6. Le volume de savon distribué est minime ou non existant.	<p>A. La buse est bouchée.</p> <p>B. Le clapet de non-retour est obstrué.</p> <p>C. La pompe à savon ne fonctionne pas correctement.</p>	<p>A. Retirer l'ensemble buse et moussage de savon. Nettoyer avec de l'eau chaude.</p> <p>B. Retirer le clapet de non-retour de la tubulure de distribution. Nettoyer avec de l'eau chaude.</p> <p>C. Commander et installer un ensemble de boîtier de commande neuf.</p>
7. Seulement des bulles d'air sortent du distributeur.	<p>A. L'orifice de sortie de la pompe à savon est obstrué.</p> <p>B. La pompe à savon a des fuites.</p> <p>C. La pompe à savon a perdu l'amorçage.</p>	<p>A. Retirer la tubulure de la pompe à savon. Nettoyer l'orifice de sortie de la pompe à savon avec de l'eau chaude.</p> <p>B. Commander et installer un ensemble de boîtier de commande neuf.</p> <p>C. Se reporter aux étapes de rétablissement de l'amorçage dans la section « Préparer le distributeur de savon ».</p>
8. Pas de distribution de mousse. Seulement du savon liquide est distribué.	<p>A. La pompe à air est déconnectée.</p> <p>B. La pompe à air/la tubulure sont obstruées.</p> <p>C. La pompe à air ne fonctionne pas.</p>	<p>A. Inspecter le raccord de la pompe à air et reconnecter la tubulure au boîtier de commande.</p> <p>B. Retirer la tubulure de la pompe à air. Nettoyer l'orifice de sortie de la pompe à air avec de l'eau chaude.</p> <p>C. Commander et installer un ensemble de boîtier de commande neuf.</p>
9. L'amorçage de la pompe est perdu ou de l'air est présent dans la pompe/la tubulure.	<p>A. Le réservoir de savon n'a pas été rempli et/ou aucun appui n'a eu lieu sur le bouton d'amorçage jaune.</p>	<p>A. Rétablir l'amorçage de la pompe conformément aux instructions d'entretien et de nettoyage.</p>

Conformité

Ce dispositif est conforme à la section 15 des réglementations de la FCC. L'utilisation est assujettie aux deux conditions suivantes : (1) ce dispositif ne peut pas créer un brouillage nuisible, et (2) ce dispositif doit accepter tous les brouillages captés, y compris les brouillages qui pourraient créer un fonctionnement non souhaité.

Tous changements ou modifications non expressément approuvés par la partie responsable garantissant la conformité pourraient annuler le droit à l'utilisateur d'opérer cet équipement.

Cet équipement a été testé et a été considéré être conforme aux limitations pour un dispositif numérique de classe B, selon la section 15 des réglementations FCC. Ces limites sont conçues pour fournir une protection raisonnable contre tout brouillage nuisible dans une installation résidentielle. Cet équipement génère, utilise et peut émettre une énergie de radiofréquence et, s'il n'est pas installé et utilisé conformément aux instructions, pourrait créer des brouillages nuisibles aux communications par radio. Cependant, il n'est pas garanti qu'aucun brouillage n'aura lieu dans une installation particulière. Si cet équipement cause des brouillages nuisibles à la réception de radio ou de télévision, ce qui peut être déterminé en éteignant l'équipement et en le rallumant, l'utilisateur est encouragé à essayer de rectifier ce brouillage par l'un des moyens suivants :

- Réorienter ou changer l'emplacement de l'antenne de réception.
- Augmenter la séparation entre l'équipement et le récepteur.
- Brancher l'équipement sur une prise d'un circuit différent de celui auquel le récepteur est connecté.
- Consulter le concessionnaire ou un technicien radio/TV expérimenté pour obtenir de l'assistance.

Cet appareillage numérique de classe B est conforme à la norme canadienne ICES-003.

Instrucciones de instalación

Dispensador de jabón sin contacto, a CA

Gracias por elegir KOHLER

¿Necesita ayuda? Comuníquese con nuestro Centro de Atención al Cliente.

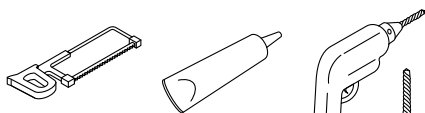
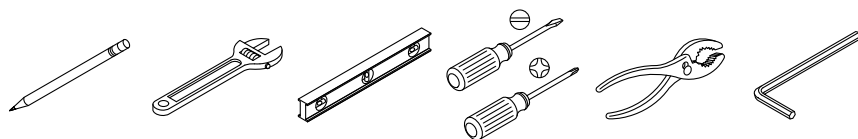
- EE. UU./Canadá: 1-800-4KOHLER (1-800-456-4537) México: 001-800-456-4537
Horario de atención: Lunes a viernes de 8:00 AM a 5:00 PM (tiempo del centro)
Idiomas: inglés, español y servicios de traducción disponibles.
- **Piezas de repuesto:** kohler.com/serviceparts
- **Cuidado y limpieza:** kohler.com/clean
- **Patentes:** kohlercompany.com/patents

Garantía

A este producto lo cubre la **garantía limitada de un año de KOHLER®**, que se puede consultar en kohler.com/warranty. Si lo desea, solicite al Centro de Atención al Cliente una copia impresa de los términos de la garantía.

Herramientas y materiales

ES



Sellador

1/4 pulg



Broca tipo corona perforadora de 1-1/4 pulg


Más:


- Materiales para refuerzos de madera
- Herramientas de trabajo en madera
- Tornillos para madera #8
- Tubería de PVC de 1-1/2 pulg calibre 40 y codo de 90 grados
- Abrazadera en U
- Cinta aislante
- Jabón espumante para manos (viscosidad dinámica de 1 cP a 100 cP)
- Suministro sencillo de CA, K-13480-A-NA
- Suministro múltiple de CA, K-13481-A-NA


Antes de comenzar




AVISO: Al usar aparatos eléctricos siempre cumpla las precauciones básicas, como las siguientes:

 **AVISO: Riesgo de sufrir sacudidas eléctricas.** Solo conecte a un circuito protegido por un interruptor de circuito con pérdida a tierra (GFCI)*. Se requiere conexión a tierra. Un representante de servicio autorizado debe instalar esta unidad y conectarla a tierra.

 **AVISO: Riesgo de sufrir sacudidas eléctricas.** Antes de dar servicio, desconecte el suministro eléctrico.

 **AVISO: Riesgo de sufrir lesiones personales o de ocasionar daños a la propiedad.** Antes de comenzar la instalación, lea con atención todas las instrucciones.

 **PRECAUCIÓN: Riesgo de ocasionar daños al producto.** Este producto tiene componentes electrónicos sensibles. No almacene cerca de este producto recipientes abiertos de productos químicos o de limpieza.


Es posible que su producto parezca ser distinto al ilustrado. El procedimiento de instalación es el mismo. Consulte las dimensiones de instalación para su modelo en la hoja de especificaciones.


Asegúrese de que haya un tomacorriente no controlado por interruptor de 120 VCA bajo el fregadero, a menos de 5 pies (1,5 m) de la caja de control.

Cumpla todos los códigos locales de plomería y construcción.

*Fuera de Estados Unidos es posible que este se conozca como dispositivo de corriente residual (RCD).

Requisitos del jabón

 **PRECAUCIÓN: Riesgo de ocasionar daños al producto.** El jabón espumante para manos debe tener una viscosidad dinámica entre 1 y 100 centipoises (cP), medidos en cP o en gramos/cm-seg. Los jabones con una viscosidad dinámica mayor de 100 cP pueden causar desgaste prematuro y daños a los componentes del dispensador de jabón.

 **PRECAUCIÓN: Riesgo de ocasionar daños al producto.** Solo use jabón espumante de manos líquido que no contenga partículas en suspensión ni microesferas. No use jabones líquidos no espumantes, que típicamente tienen una viscosidad dinámica de 1000 a 3500 cP.



PRECAUCIÓN: Riesgo de ocasionar daños al producto. No use jabón en base de alcohol ni jabones con alcohol.

¡IMPORTANTE! Para que la unidad funcione normalmente, el sensor del dispensador de jabón debe apuntar hacia el lavabo y no hacia la cubierta del mueble.

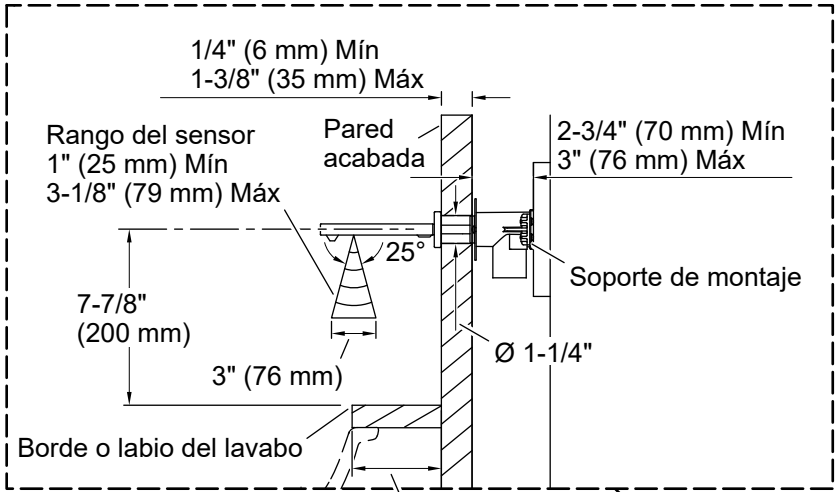
¡IMPORTANTE! Solo se debe agregar jabón cuando el producto esté siendo usado normalmente. No llene el depósito de jabón cuando el dispensador no vaya a ser usado durante periodos de tiempo prolongados (semanas o meses) después de la instalación inicial.

NOTA: Los jabones espumantes de manos de la marca KOHLER están precisamente formulados para funcionar con este producto, y tienen una viscosidad dinámica entre 1 y 100 cP.

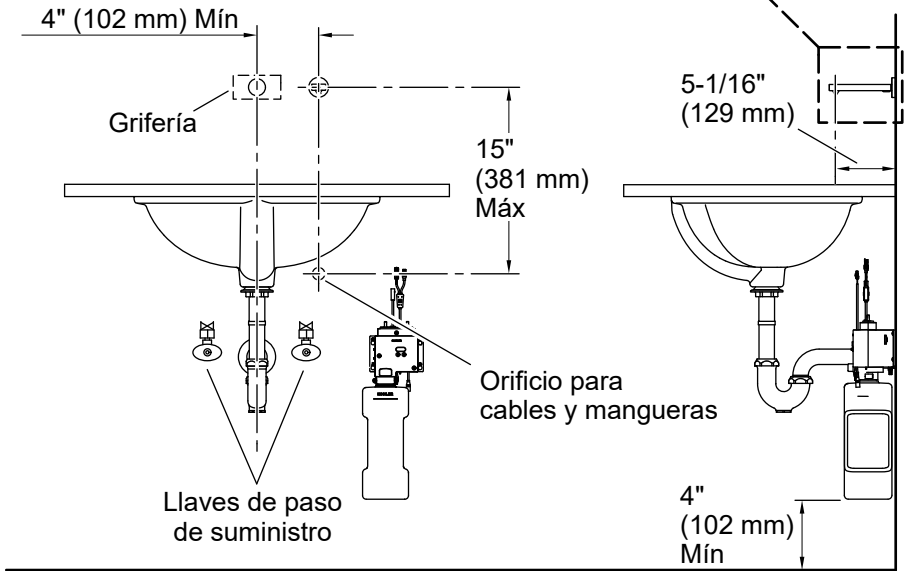
NOTA: En kohler.com consulte más información acerca de los jabones espumantes de manos recomendados. Es posible consultar información precisa acerca de las propiedades del jabón y de su viscosidad dinámica en las hojas de datos de seguridad de materiales, que publican los fabricantes de los jabones.

Diagrama de instalación

E
S

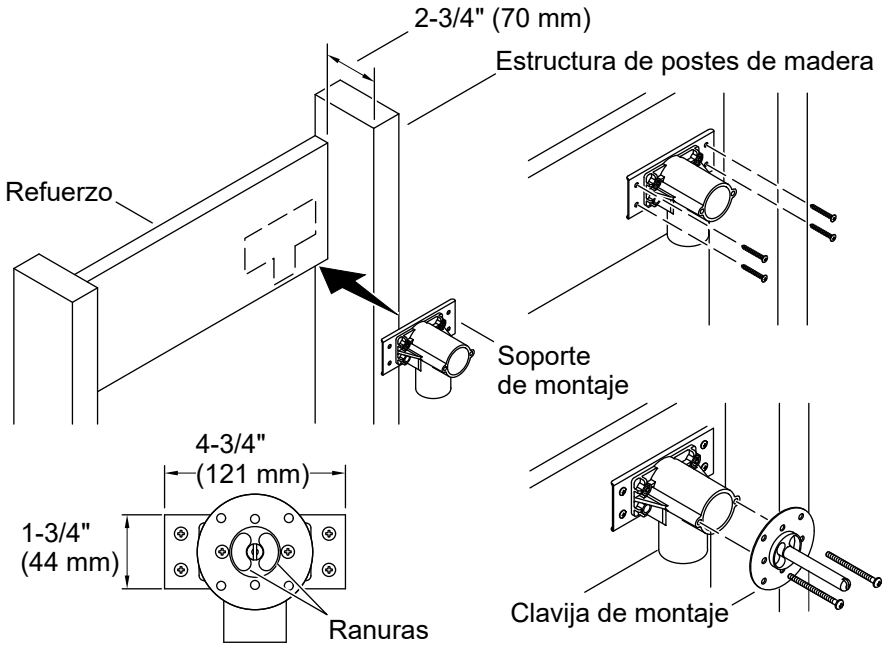


4" (102 mm) MÁX



Piso

1. Instale el soporte de montaje



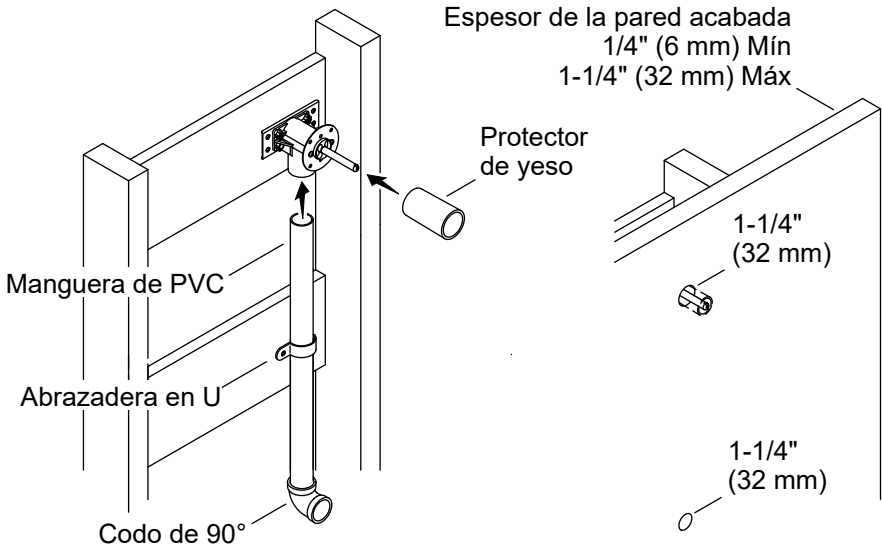
¡IMPORTANTE! Es posible que su producto parezca ser distinto al ilustrado. El procedimiento de instalación es el mismo. Consulte las dimensiones de instalación para su modelo en la hoja de especificaciones.

- Construya la estructura de soporte adecuada a su instalación.
- Fije la ménsula de montaje al refuerzo con 4 tornillos para madera, tamaño #8.
- Retire el protector de yeso.

NOTA: Verifique que la ranura esté orientada como se muestra arriba.

- Fije la clavija de montaje a la ménsula de montaje con los 2 tornillos, que se incluyen.

2. Instale las mangueras de PVC (se recomienda)



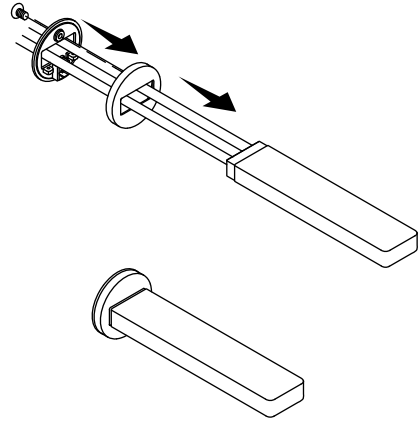
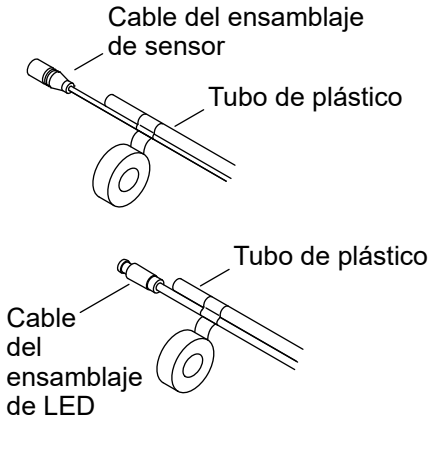
NOTA: Los conectores y las mangueras de PVC (no se incluyen) pueden unirse a la ménsula de montaje para tender los cables y las mangueras del surtidor a la caja de control. Consulte la hoja de especificaciones para determinar la ubicación de la caja de control.

- Conecte una manguera de PVC recta a la ménsula de montaje, como se muestra. Verifique que la manguera sea lo suficientemente larga como para llegar a la caja de control.
- Fije la manguera de PVC a la ménsula de montaje con abrazaderas en U (no se incluyen).
- Pegue con adhesivo un codo de PVC de 90 grados al extremo de la manguera de PVC en el lugar de instalación de la caja de control.
- Vuelva a instalar el protector de yeso sobre la clavija de montaje.

NOTA: El espesor de la pared acabada debe ser desde 1/4" (6 mm), como mínimo, hasta 1-1/4" (32 mm) como máximo.

- Acabe la pared con un orificio de 1-1/4" (32 mm) para el surtidor.
- Acabe la pared con un orificio de 1-1/4" (32 mm) para los cables y las mangueras.

3. Prepare el surtidor



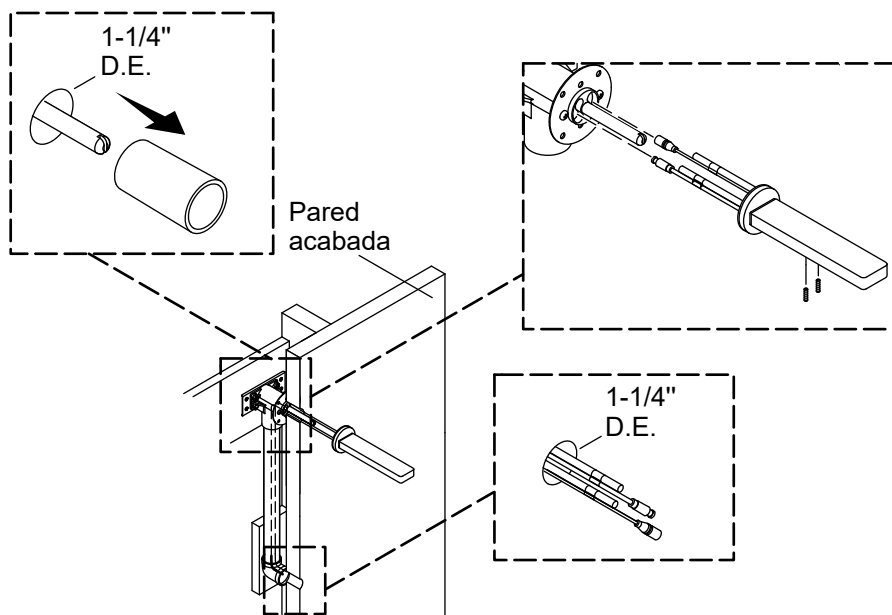
E
S

- Para facilitar el tendido de los cables y de las mangueras, use cinta aislante para fijar uno de los cables a una de las mangueras. Repita con el cable y la manguera restantes.

NOTA: No dañe el acabado del surtidor al instalar el chapetón.

- Tienda los cables y las mangueras a través del chapetón para instalar el chapetón en el surtidor.

4. Fije el surtidor



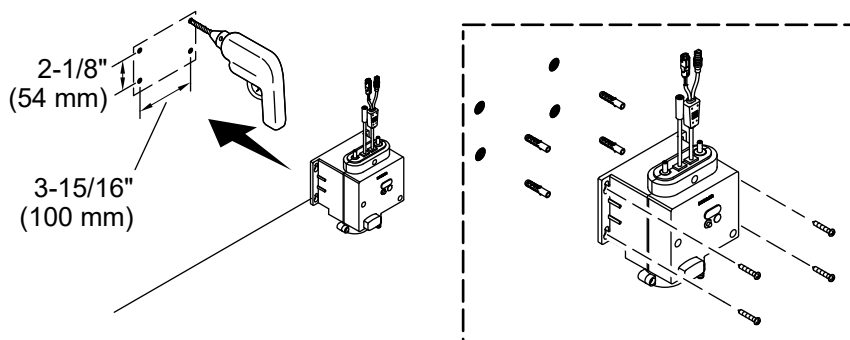
NOTA: Para que el sensor del dispensador de jabón funcione bien, debe apuntar hacia el lavabo y no hacia la cubierta.

- Retire el protector de yeso.

NOTA: Evite pellizcar y retorcer los cables y las mangueras al instalar el surtidor.

- Tienda los cables y las mangueras del surtidor a través del soporte de montaje, y hacia abajo a través de las mangueras de PVC.
- Deslice el ensamblaje del surtidor sobre la clavija de montaje hasta que quede al ras con la pared.
- Jale hacia fuera los cables y las mangueras del surtidor a través del orificio que lleva al lugar de la caja de control.
- Si lo desea, aplique sellador a la cara inferior del chapetón. Limpie el exceso de sellador.
- Apriete los 2 tornillos de fijación (se incluyen) para fijar el surtidor al soporte de montaje.

5. Instale la caja de control

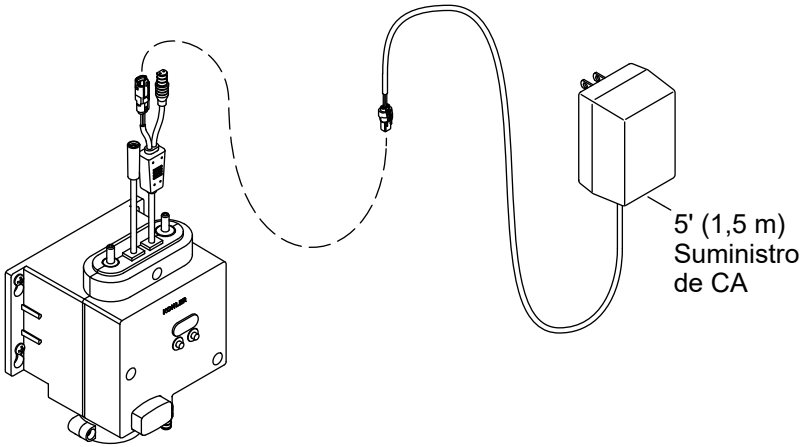


NOTA: Se necesita un espacio libre mínimo de 4" (102 mm) entre el depósito de jabón y el interior del gabinete o el piso. Vea la ubicación de la caja de control en la hoja de especificaciones.

NOTA: Los anclajes de pared que se incluyen son para instalaciones en paredes de concreto. Use los anclajes de pared apropiados para el material de su pared.

- Marque el lugar de los orificios de montaje.
- Taladre los orificios de acuerdo con las instrucciones del fabricante de anclajes. Si va a usar los anclajes de pared que se incluyen, taladre orificios guía de 1/4" (6 mm).
- Instale la caja de control en la pared, como se muestra.
- Fíjela con los 4 tornillos que se incluyen.

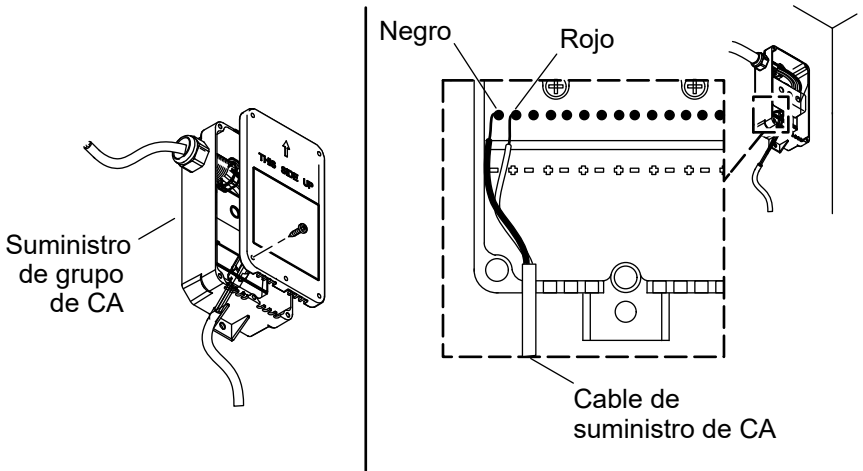
6. Instale un suministro sencillo de CA



¡IMPORTANTE! Siga los pasos de instalación del suministro eléctrico de acuerdo a su modelo. Para una instalación de una unidad de suministro múltiple de CA, consulte "Instale la fuente de suministro múltiple de CA".

- Conecte el cable de suministro eléctrico de la caja de control al cable de suministro sencillo de CA, K-13480-A-NA. Mantenga un lazo de goteo al hacer la conexión.
- Enchufe el suministro de CA a un tomacorriente no conmutado de 120 VCA.
- Fije el exceso de cable bajo la cubierta.

7. Instale la fuente de suministro múltiple de CA



¡IMPORTANTE! Siga los pasos de instalación del suministro eléctrico de acuerdo a su modelo. En la instalación de una unidad de suministro sencillo de CA, consulte “Instale un suministro sencillo de CA”.

¡IMPORTANTE! La instalación no debe exceder 2 dispensadores de jabón y 2 griferías en una fuente de suministro múltiple.

- Instale el suministro de CA bajo la cubierta, con los 2 tornillos que se incluyen. Oriente como se muestra.
- Retire la cubierta.
- Conecte el cable de la grifería a la grifería. Mantenga un lazo de goteo al hacer la conexión.
- De ser necesario, corte y pele los cables de la fuente de suministro de CA a la longitud deseada.
- Conecte los extremos pelados al bloque de terminales inferior en la caja de la fuente de suministro.
- Fije la cubierta de la caja de terminales a la caja de terminales.

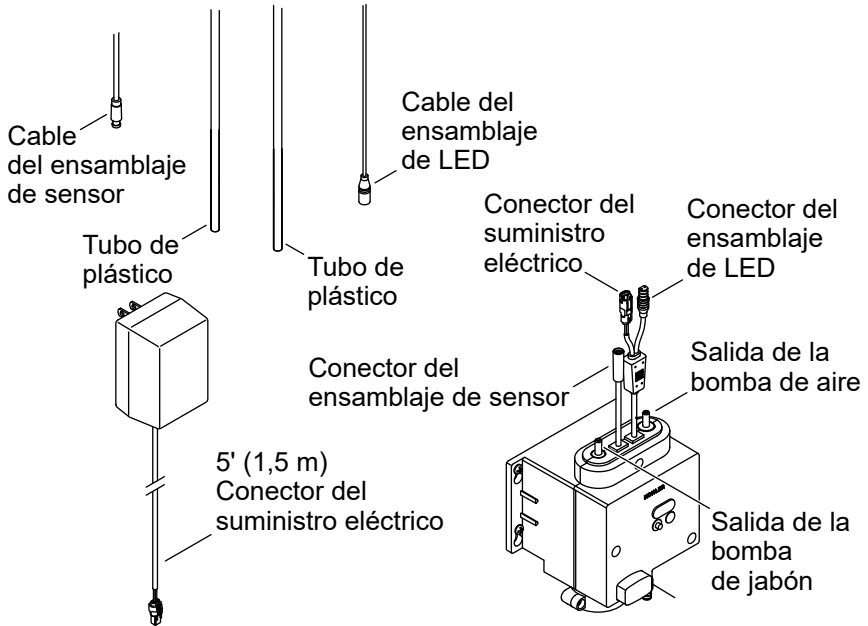
NOTA: Hay cables de suministro de CA disponibles en longitudes de 4' (1,2 m), 6' (1,8 m) y 10' (3 m).

- Conecte el cable de suministro eléctrico de la caja de control al cable de suministro múltiple de CA K-13481-A-NA. Mantenga un lazo de goteo al hacer la conexión.

- Enchufe el suministro de CA a un tomacorriente no conmutado de 120 VCA.
- Fije el exceso de cable bajo la cubierta.

**E
S**

8. Conecte los cables de la caja de control



¡IMPORTANTE! Verifique que los cables no queden pellizcados al conectarlos a la caja de control.

¡IMPORTANTE! No debe haber objetos en el área frente al sensor durante el ciclo de aprendizaje de 2 minutos, ya que el dispensador de jabón podría no funcionar bien.

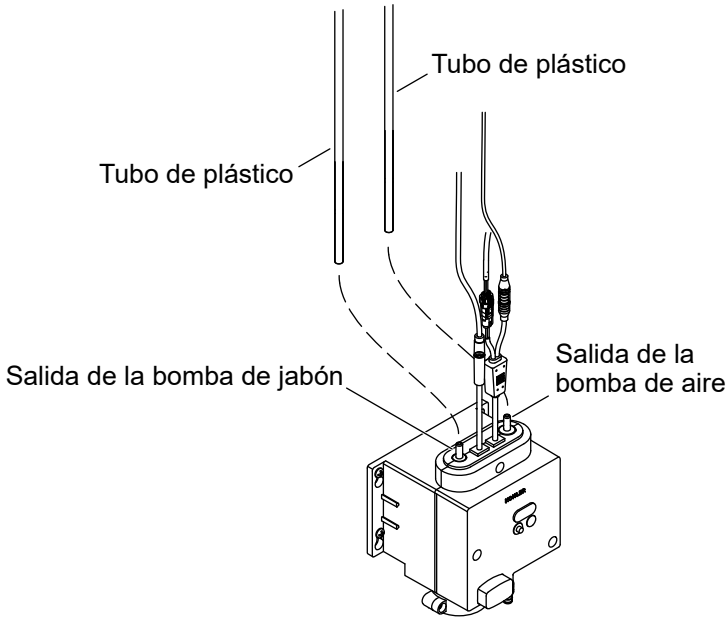
- Conecte el cable del ensamblaje del sensor que viene del surtidor al conector del ensamblaje del sensor que viene de la caja de control.
- Conecte el cable del ensamblaje de LED que viene del surtidor al conector del ensamblaje de LED que viene de la caja de control.
- Conecte el conector del suministro eléctrico que viene del compartimiento de pilas al conector del suministro eléctrico que viene de la caja de control.
- Espere 2 minutos para que el sensor cicle a través de la distancia de detección automática.

NOTA: Al conectar el suministro eléctrico, la luz LED en la base del surtidor se torna AZUL durante 1,5 segundos, y luego ROJA durante 1,5 segundos. Esto confirma que todas las conexiones de cables requeridas han sido completadas.

NOTA: El rango por diseño del sensor es $2,75" \pm 0,275"$ (70 mm \pm 7 mm) una vez que se conecta el suministro eléctrico. Para cambiar el rango del sensor siga los pasos en la sección "Ajuste de autoaprendizaje de rango del sensor".

- Fije el cable adicional bajo la cubierta.

9. Conecte los tubos



¡IMPORTANTE! Verifique que las mangueras no queden pellizcadas al conectarlas a las salidas de la caja de control. No enrolle ni forme lazos con las mangueras.

NOTA: Las mangueras de plástico son intercambiables. Cualquiera de las mangueras se puede conectar a la salida de la bomba de jabón o de la bomba de aire.

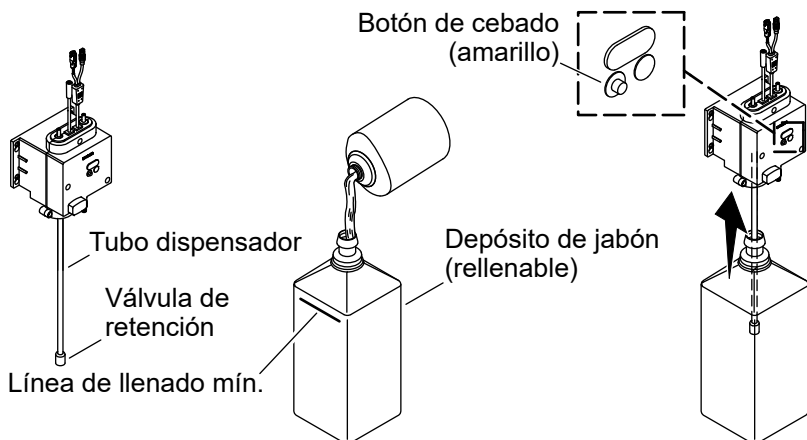
Conexiones de la bomba de jabón

- Verifique que la manguera de plástico del surtidor sea de la longitud adecuada para llegar hasta la caja de control.
- La manguera no debe colgar más abajo de la salida de la caja de control. De ser necesario, recorte la manguera.
- Oprima la manguera de plástico hacia dentro de la salida de la bomba de jabón en la caja de control hasta que la manguera se detenga.
- Verifique que la manguera quede fija.

Conexiones de la bomba de aire

- Verifique que la manguera de plástico del surtidor sea de la longitud adecuada para llegar hasta la caja de control.
- La manguera no debe colgar más abajo de la salida de la caja de control. De ser necesario, recorte la manguera.
- Oprima la manguera de plástico restante hacia dentro de la salida de la bomba de aire en la caja de control hasta que la manguera se detenga.
- Verifique que la manguera quede fija.

10. Llène el depósito de jabón



PRECAUCIÓN: Riesgo de ocasionar daños al producto. Llène el depósito de jabón solo cuando la construcción del inmueble haya sido comisionada o abierta, y completada. No llene el depósito de jabón cuando el dispensador no vaya a ser usado durante periodos de tiempo prolongados (semanas o meses) después de la instalación inicial. De ser necesario, use agua tibia y limpia para probar el funcionamiento del dispensador de jabón. Vacíe el depósito de jabón después de efectuar la prueba.

¡IMPORTANTE! Antes de usar la unidad por primera vez, enjuague el depósito de jabón vacío con agua tibia y limpia.

NOTA: Se incluye el depósito de jabón de 1600 ml. Busque en kohler.com/serviceparts el depósito de jabón opcional de 800 ml.

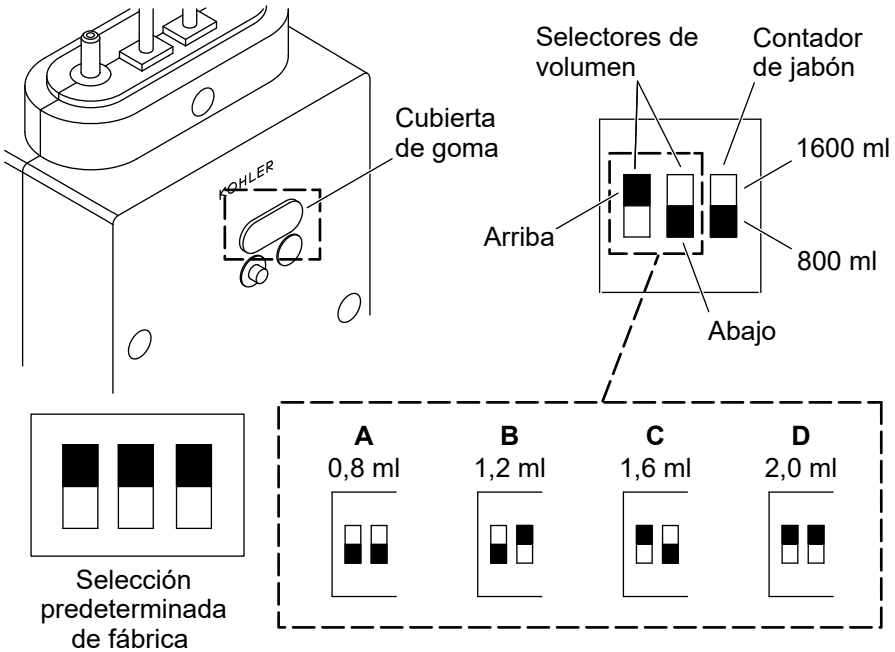
NOTA: Consulte más información acerca de los requisitos del jabón para este producto en la sección de "Requisitos del jabón".

- Llène el depósito de jabón con jabón espumante de manos marca KOHLER o de otra marca, con viscosidad de 1cP a 100 cP, hasta la línea que indica "Max Fill". No llene de más el depósito de jabón.
- Introduzca la manguera dispensadora de la unidad de control en el depósito de jabón.

- Meta a presión el depósito de jabón en su lugar hasta que escuche un chasquido.
- Oprima el botón amarillo de cebado (que está en la unidad de control), después de cada vez que rellene el jabón hasta que este comience a salir de la boquilla del surtidor (aproximadamente 10 segundos).

11. Establezca el volumen de jabón a dispensar

E
S



¡IMPORTANTE! Hay 4 opciones disponibles para controlar la cantidad de jabón a surtir. La opción deseada se establece al mover los selectores de volumen hacia arriba o hacia abajo.

NOTA: La selección por diseño del volumen surtido de jabón es de 2 ml. La selección por diseño del tamaño de la botella de jabón es de 1600 ml.

NOTA: El dispensador viene equipado con un depósito de 1600 ml, y el contador de jabón está configurado a la posición de 1600 ml. Si se usa un depósito de 800 ml, cambie el contador de jabón a la posición de 800 ml.

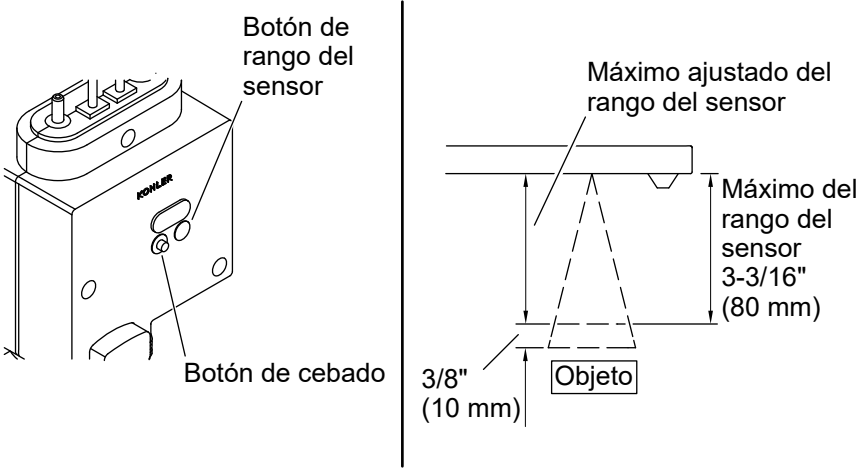
- Levante la cubierta de goma para obtener acceso a los conmutadores o selectores de control.
- Establezca la posición de los 2 selectores de volumen al volumen deseado de jabón a surtir. Consulte las opciones de selección que aparecen arriba.
- Verifique que el conmutador del contador de jabón esté en la posición correcta para el tamaño de su depósito.

- Cierre la cubierta de goma.
- En la siguiente tabla consulte el número disponible aproximado de veces que se surta jabón, de acuerdo a la selección de volumen y al tamaño del depósito lleno de 800 ml o 1600 ml.

Selección	Volumen de jabón a surtir	Cuenta de jabón de botella de 1600 ml	Cuenta de jabón de botella de 800 ml
A	0,8 ml	1700	850
B	1,2 ml	1133	567
C	1,6 ml	850	425
D	2,0 ml	680	340

12. Ajuste de autoaprendizaje del rango del sensor

E
S



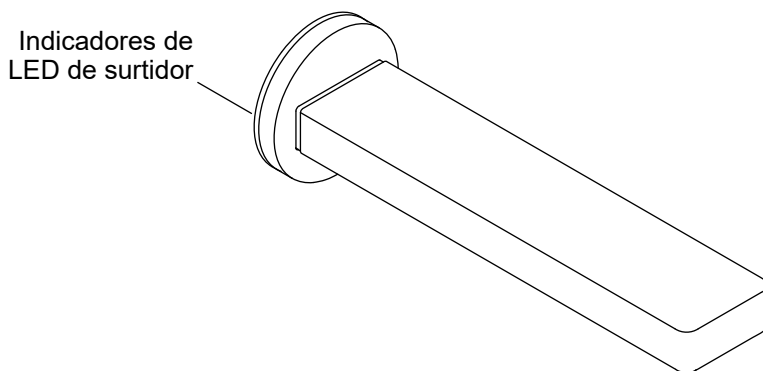
NOTA: Por diseño, la distancia de sensibilidad del sensor es 2-3/4" +/- 1/4" (70 mm +/- 6 mm).

- Oprima el botón gris claro de rango del sensor en la unidad de control del dispensador de jabón durante por lo menos 2 segundos para iniciar el modo de autoaprendizaje del sensor, y ajustar el rango.
- La luz LED en la base del surtidor emite una luz roja durante 2 segundos, para indicar el inicio del modo de autoaprendizaje de rango del sensor.
- El rango del sensor se amplía inicialmente hasta un máximo de 3-3/16" (80 mm).
 - Si no se detecta ningún objeto, el rango del sensor se vuelve a ajustar al valor por diseño de 2-3/4" (70 mm).
 - Si se detecta algún objeto, el rango máximo del sensor se ajusta creando un espacio de 3/8" (10 mm) entre el extremo del cono de detección y el objeto detectado.
- Durante la operación de autoaprendizaje del rango del sensor, la luz LED centellea en rojo cada segundo durante un total de 10 segundos. Esto indica que el modo de autoaprendizaje del sensor está en proceso.
- La luz LED emite luz azul durante 2 segundos para indicar que el periodo de ajuste de autoaprendizaje del rango del sensor ha sido exitosamente completado. La luz LED emite una luz roja durante 2 segundos si el modo de autoaprendizaje ha fallado. La luz roja permanece encendida si el objeto detectado está demasiado

cerca de la lente sensora. Esta condición puede ser corregida al quitar el objeto y volver a iniciar el modo de autoaprendizaje del sensor.

E
S

Indicadores de diodos (LED) del surtidor



Pilas bajas - AZUL centelleante

La base del dispensador de jabón centellea en AZUL cada 6 segundos cuando el voltaje es menor de 4,8 V. El dispensador de jabón continúa surtiendo jabón.

La base del dispensador de jabón centellea (2 veces) en AZUL cada 6 segundos cuando el voltaje es menor de 4,5 V. El dispensador de jabón deja de funcionar. Cambie las pilas.

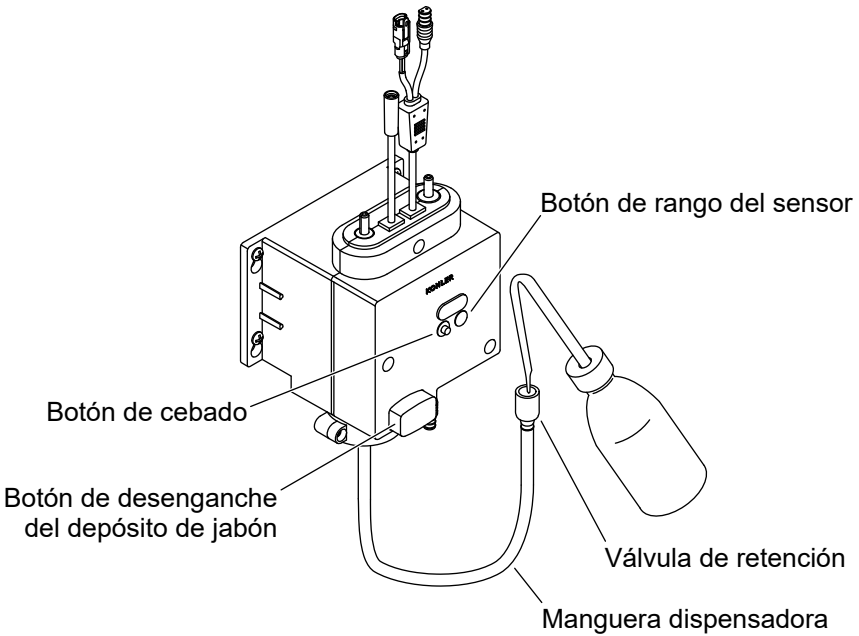
Poco jabón - ROJO parpadeante

La base del dispensador de jabón centellea en ROJO cada 6 segundos cuando hay poco jabón en el depósito. El dispensador de jabón continúa surtiendo jabón.

La base del dispensador de jabón centellea (2 veces) en ROJO cada 6 segundos cuando se acaba el jabón del depósito. El dispensador de jabón ya no surte jabón. Rellene el depósito de jabón y vuelva a cebar el dispensador.

Mantenimiento - Restablecer el cebado

ES



NOTA: La cavidad de engranajes de la bomba se seca y se pierde el cebado si la unidad es activada y solo jala aire (botella de jabón vacía). Los siguientes pasos restablecen el cebado.

- Oprima el botón de desenganche del depósito de jabón para soltar el depósito de jabón del ensamblaje de la unidad de control.
- Limpie la válvula de retención de la manguera dispensadora con agua tibia.
- Llene la manguera dispensadora con agua o jabón mediante una botella pequeña con una boquilla.
- Conecte la botella llena de jabón al ensamblaje de la unidad de control.
- Oprima y sostenga oprimido el botón de cebado durante aproximadamente 10 segundos después de cada vez que rellene el jabón, hasta que este comience a salir de la boquilla del surtidor.

Cuidado y limpieza

No use ningún limpiador abrasivo o fuerte para limpiar la grifería.

Para obtener los mejores resultados, tenga presente lo siguiente al limpiar su producto KOHLER:

Siempre pruebe la solución de limpieza en un área oculta antes de aplicarla a toda la superficie. Busque productos de limpieza de griferías Kohler en kohler.com/clean.

Limpie las superficies con un paño, y enjuague completa e inmediatamente con agua después de haber aplicado algún limpiador. Enjuague y seque las superficies cercanas donde hayan caído salpicaduras.

No deje los limpiadores mucho tiempo en las superficies.

Utilice una esponja humedecida, o un paño suave y húmedo. Para limpiar las superficies nunca utilice materiales abrasivos, como cepillos o estropajos.

Al limpiar otras áreas del baño asegúrese de que las lentes de los sensores estén protegidas de otras sustancias químicas o solventes de limpieza para evitar daños potenciales a los sensores y a los sistemas electrónicos.

Se recomienda enjuagar el sistema con agua tibia cada 2 a 3 meses.

- Retire y limpie con agua tibia el ensamblaje de espumación en la boquilla.
- Retire y limpie con agua tibia la válvula de retención de la manguera dispensadora en el depósito de jabón.
- Limpie el depósito de jabón, y luego llénelo con una cantidad mínima de agua tibia y limpia. Vuelva a conectar el depósito de jabón a la caja de control. Oprima y sostenga oprimido el botón amarillo de cebado hasta que toda el agua residual haya pasado a través del dispensador de jabón.
- Vacíe el depósito de jabón.
- Rellene el depósito con el jabón espumante para manos apropiado. Oprima y sostenga oprimido el botón amarillo de cebado hasta que toda el agua residual haya pasado a través de la bomba y comience a salir jabón.

Resolución de problemas

Esta guía de resolución de problemas está diseñada únicamente como ayuda general. Para obtener servicio de garantía, comuníquese con su concesionario, su distribuidor mayorista, o llame al 1-800-4KOHLER.

ES

Síntomas	Causa probable	Acción recomendada
1. Una luz roja LED centellea en la base del dispensador de jabón una vez cada 6 segundos.	A. Hay poco jabón (se ha usado el 70 % del jabón después del cebado).	A. Rellene el depósito con el jabón espumante para manos apropiado. Ceba el dispensador de jabón para poder volver a usarlo.
2. Una luz roja LED centellea en la base del dispensador de jabón 2 veces cada 6 segundos, y el dispensador ha dejado de surtir jabón.	A. Hay poco jabón o se ha acabado (se ha usado el 90 % del jabón después del cebado).	A. Rellene el depósito con el jabón espumante para manos apropiado. Ceba el dispensador de jabón para poder volver a usarlo.
3. Una luz azul LED centellea en la base del dispensador de jabón una vez cada 6 segundos.	A. Las pilas están bajas (menos de 4,8 V).	A. Cambie las pilas. Rellene el depósito con el jabón espumante para manos apropiado. Ceba el dispensador de jabón para poder volver a usarlo.

Síntomas	Causa probable	Acción recomendada
<p>4. Una luz azul LED centellea en la base del dispensador de jabón 2 veces cada 6 segundos, y el dispensador ha dejado de surtir jabón.</p>	<p>A. Las pilas están agotadas (menos de 4,5 V).</p>	<p>A. Cambie las pilas. Rellene el depósito con el jabón espumante para manos apropiado. Cebe el dispensador de jabón para poder volver a usarlo.</p>

Síntomas	Causa probable	Acción recomendada
5. No sale jabón.	<p>A. La lente del sensor está sucia.</p> <p>B. El cable del ensamblaje del sensor está desconectado.</p> <p>C. La manguera (de jabón o de aire) está desconectada.</p> <p>D. No hay suministro eléctrico, o las conexiones están mal hechas.</p> <p>E. La bomba de jabón no ha sido cebada después de rellenar.</p> <p>F. La manguera dispensadora (o la válvula de retención) está bloqueada.</p> <p>G. Hay un objeto interrumpiendo en el rango del sensor.</p> <p>H. La boquilla o el dispositivo de espumación está tapado.</p> <p>I. El motor no actúa.</p>	<p>A. Limpie la lente del sensor con un paño limpio, seco y suave.</p> <p>B. Vuelva a conectar el cable del ensamblaje del sensor.</p> <p>C. Vuelva a conectar la manguera a la caja de control.</p> <p>D. Revise la conexión a la fuente de suministro eléctrico.</p> <p>E. Oprima el botón amarillo de cebado (que está en la unidad de control), después de cada vez que rellene el jabón hasta que este comience a salir de la boquilla del surtidor (aproximadamente 10 segundos).</p> <p>F. Limpie la manguera dispensadora y la válvula de retención con agua tibia.</p> <p>G. Retire el objeto que interrumpe el rango del sensor, y espere 20 segundos antes de activar el dispensador de jabón.</p> <p>H. Limpie la boquilla y la válvula de retención. Vuelva a cebar.</p> <p>I. Revise las conexiones de suministro eléctrico. Cambie las pilas. Haga un pedido e instale un nuevo ensamblaje de unidad de control.</p>

Síntomas	Causa probable	Acción recomendada
6. El volumen surtido de jabón es poco, o no sale jabón.	<p>A. La boquilla está tapada.</p> <p>B. La válvula de retención está tapada.</p> <p>C. La bomba de jabón no funciona correctamente.</p>	<p>A. Retire la boquilla de jabón y el ensamblaje de espumación. Limpie con agua tibia.</p> <p>B. Retire la válvula de retención de la manguera dispensadora. Limpie con agua tibia.</p> <p>C. Haga un pedido e instale un nuevo ensamblaje de unidad de control.</p>
7. Solo salen burbujas de aire.	<p>A. La salida de la bomba de jabón está tapada.</p> <p>B. La bomba de jabón tiene una fuga.</p> <p>C. La bomba de jabón no ha sido cebada.</p>	<p>A. Retire la manguera de la bomba de jabón. Limpie la salida de la bomba de jabón con agua tibia.</p> <p>B. Haga un pedido e instale un nuevo ensamblaje de unidad de control.</p> <p>C. Consulte los pasos para restablecer el cebado en la sección "Prepare el dispensador de jabón".</p>
8. No sale espuma. Solo sale jabón líquido.	<p>A. La bomba de aire está desconectada.</p> <p>B. La bomba de aire (o la manguera) está tapada.</p> <p>C. La bomba de aire no funciona.</p>	<p>A. Revise la conexión de la bomba de aire, y vuelva a conectar la manguera a la caja de control.</p> <p>B. Retire la manguera de la bomba de aire. Limpie la salida de la bomba de aire con agua tibia.</p> <p>C. Haga un pedido e instale un nuevo ensamblaje de unidad de control.</p>
9. La bomba perdió su cebado o hay aire en la bomba o en las mangueras.	<p>A. El depósito de jabón no ha sido llenado y/o el botón amarillo de cebado no ha sido oprimido.</p>	<p>A. Vuelva a cebar la bomba de acuerdo a las instrucciones de cuidado y limpieza.</p>

Conformidad

E
S Este dispositivo cumple lo establecido en la sección 15 de las normas de la FCC. Su funcionamiento está sujeto a las siguientes 2 condiciones: (1) que este dispositivo no cause interferencia perjudicial y (2) que acepte cualquier interferencia, incluida la que pueda causar funcionamiento no deseado.

Cualquier modificación o cambio sin aprobación expresa de la parte responsable del cumplimiento podría invalidar el derecho del usuario a utilizar el equipo.

Este equipo ha sido probado, y se ha encontrado que satisface los límites de un aparato digital Clase B, de acuerdo a la sección 15 de las normas de la FCC. Estos límites están diseñados para ofrecer protección razonable contra interferencia perjudicial en una instalación residencial. Este equipo genera, usa y puede radiar energía de radiofrecuencia y, si no se instala y utiliza en cumplimiento de las instrucciones, puede causar interferencia perjudicial a las comunicaciones de radio. Sin embargo, no se garantiza que la interferencia no pudiera ocurrir en una instalación en particular. Si este equipo causa interferencia perjudicial a la recepción de radio o televisión, lo que se puede determinar al encender y apagar el equipo, se le recomienda al usuario que trate de corregir la interferencia mediante una de las siguientes medidas:

- Cambiar la orientación o el lugar de la antena receptora.
- Aumentar la separación entre el equipo y el receptor.
- Conectar el equipo a un tomacorriente en un circuito diferente al que utiliza el receptor.
- Consultar al distribuidor o a un técnico con experiencia en radio y televisión, para obtener ayuda.

Este aparato digital Clase B cumple la norma canadiense ICES-003.

[kohler.com](https://www.kohler.com)

THE BOLD LOOK
OF **KOHLER**®

©2024 Kohler Co.



1549432-2

1549432-2-B