

安装说明

非接触式台盆水龙头

记录您的型号：

Record your model number: _____

English, page 13

KOHLER[®]

1551902-T2-A

感谢您选择科勒








需要帮助？ 请联系我们的客户服务中心。

- 中国大陆：+(86) 800-820-2628, +(86) 400-820-2628
- 中国香港、中国澳门、中国台湾：+(852) 3125-7728

质保

本产品支持科勒®感应水龙头三年有限担保，详见包装所附的《合格证》。

重要信息

-  **警告：** 使用电气产品时，务必始终遵守基本注意事项，包括：
-  **危险：** 存在触电风险。仅连接到受漏电保护器 (RCD) 保护的电路。
-  **警告：** 存在触电风险。需要接地。所有电气连接均应由资质合格的电工操作。
-  **警告：** 存在触电风险。维修前先断开电源。
-  **警告：** 存在人身伤害或财产损坏的风险。开始安装前先仔细通读说明。
-  **小心：** 存在淡水污染风险。此水龙头包含反虹吸保护。为防止水污染，请勿移除任何内部组件。
-  **小心：** 产品存在受损风险。本产品包含敏感的电子元件。请勿将装有化学品或清洁产品的敞口容器存放在本产品附近。清洁抹布或海绵在存放前必须用清水冲洗干净。

重要信息! 请勿使用开关控制的电源插座（通常用于垃圾处理）为水龙头供电。

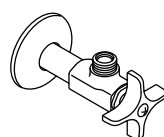
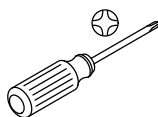
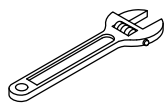
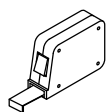
注： 本产品所需的电源需要使用特定接头连接到阀盒。购买科勒交流、直流或混合型选件。还提供多交流适配器。如需更多信息，请参阅 kohler.com.cn 上的产品规格表。

遵循所有当地管道、建筑和电气规范。

如果安装可选的交流/直流变压器，请在附近准备一个非开关 220 V 电源插座。

对于不均匀的安装表面（如瓷砖灌浆缝），在水龙头下方涂抹合适的密封硅胶。**请勿使用石油基密封硅胶。**

工具和材料



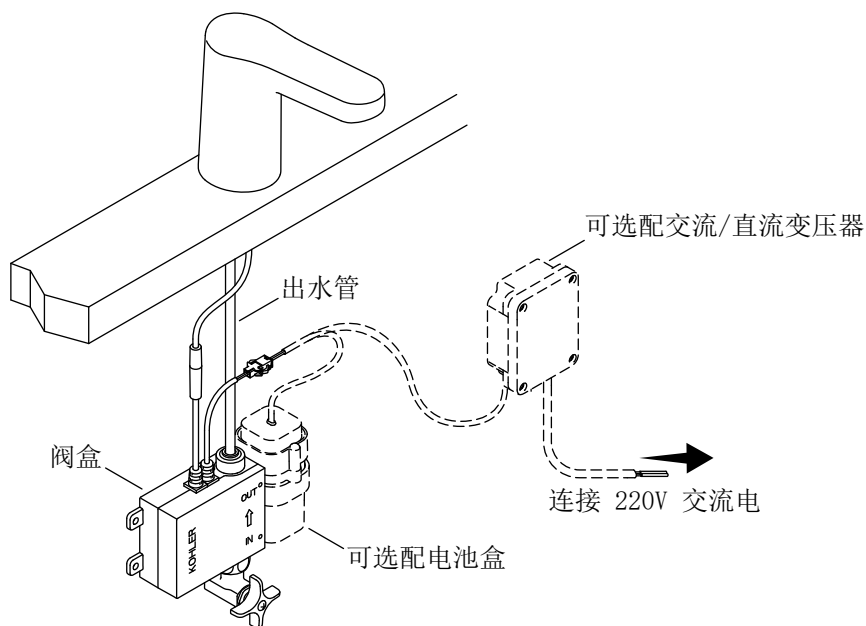
G1/2



可选：

- 非开关电源插座（用于交流电源）

开始之前

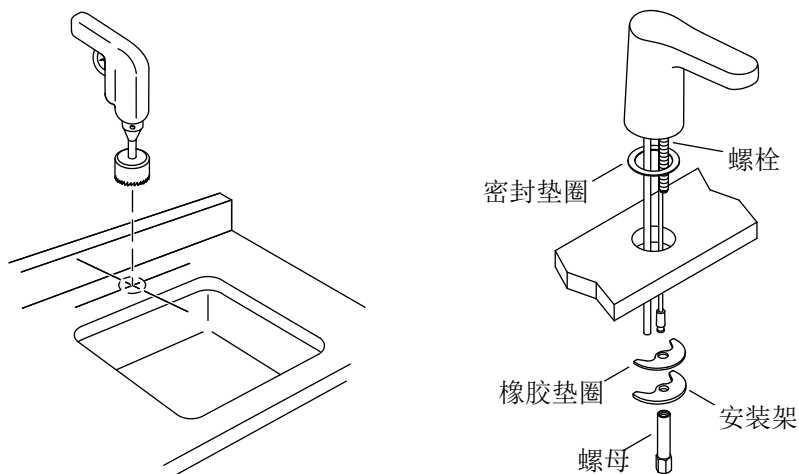


注： 为维修预留足够的间隙。

注： 此水龙头设计用于科勒 26845T-NA AC/DC 变压器或科勒 26844T-NA 电池盒。单独购买。

- 在安装水龙头之前，请确认水槽下方的区域可容纳所有必需的组件。
- 对于交流电源：** 确定交流/直流变压器（不含）在阀盒可及的位置。为变压器提供 220 V 电源。
- 对于直流电源：** 确定电池盒（未提供）在阀盒可及的位置。
- 关闭供水系统。

1. 安装水龙头



注： 在钻安装孔之前，请使用以下尺寸确保放置正确：

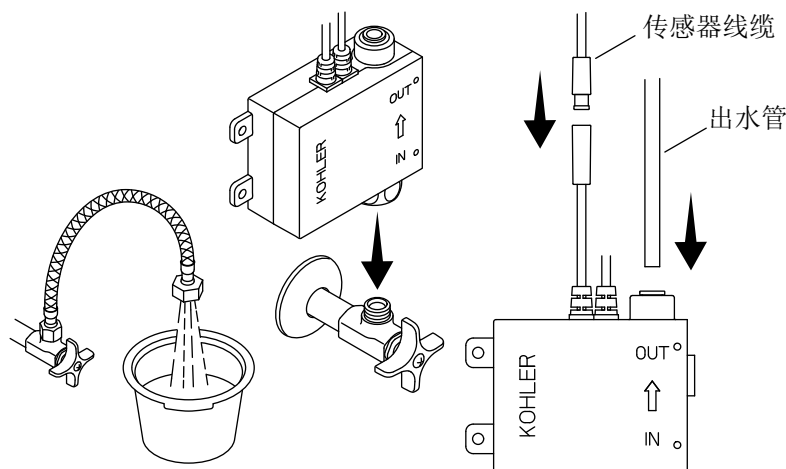
安装孔： 最小直径为 1-1/4 英寸（32 毫米）至最大直径为 1-1/2 英寸（38 毫米）。

出水口到墙壁： 出水口背面与墙壁之间的最小距离为 1-3/4 英寸（44 毫米）。

出水口到水槽： 出水口底座与水槽台下盆之间的最大距离为 1-1/8 英寸（29 毫米）。

- 确定安装孔的位置。
- 根据表面制造商的说明，在安装表面钻一个孔。
- 将螺柱安装到水龙头底部。
- 将密封垫圈安装到水龙头底部。
- 将水龙头插入安装孔。
- 从水槽下方，将橡胶垫圈和支架安装到螺柱上。
- 将螺母拧到螺柱上，直到水龙头紧固。

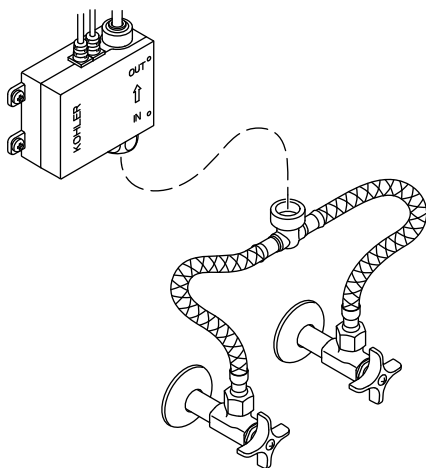
2. 安装阀盒



⚠️ 小心：产品存在受损风险。在连接到阀箱之前，必须清除供水系统中的任何杂质。

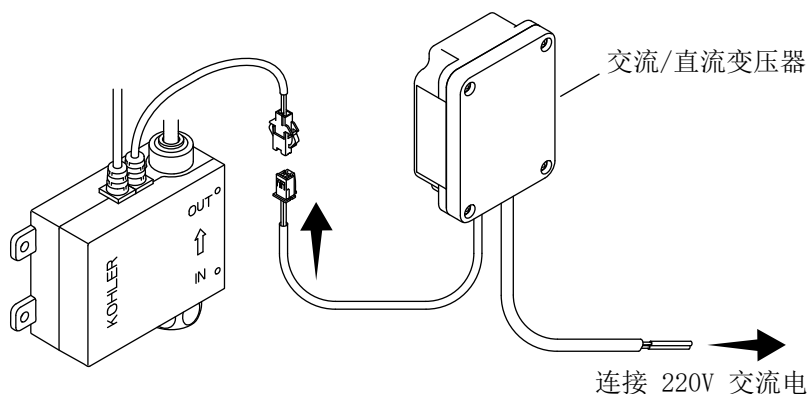
- 将供水软管连接到供水阀。
- 将供水软管的另一端插入水桶中。
- 慢慢打开供水阀将杂质冲掉。继续冲洗，直到水变清澈。
- 关闭供水系统。
- 箭头朝上放置阀盒，然后直接拧到供水阀上。
- 检查水龙头出口管的长度是否能够到达阀盒。
- 如有必要，切割出口管。去除任何毛刺和尖锐边缘。
- 将出口管插入阀盒接头，直到出口管停止。
- 确认出口管牢固。
- 将传感器线缆从出水口连接到阀盒上的连接头。

3. 安装混合阀（可选）



- 将混合阀连接到阀箱上的入水口。
- 将软管从混合阀连接到供水阀。

4. 安装交流/直流变压器（可选）



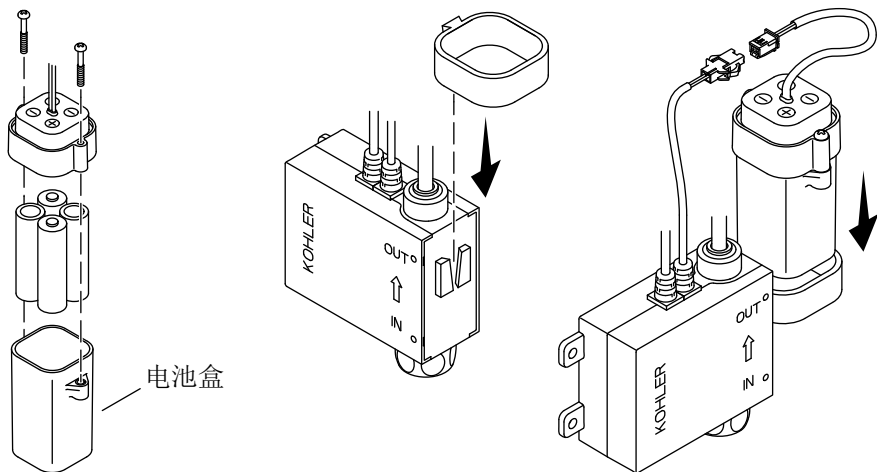
注意： 如果您的水龙头由电池供电，请参阅“安装电池”部分。

重要信息! 请勿使用开关控制的电源插座（通常用于垃圾处理）为水龙头供电。

注意： 选择交流/直流变压器的位置时，确认变压器线能够到达阀盒上的电源线。

- 安装恒定的非开关 220 V 电源。
- 将交流/直流变压器（单独出售）安装在阀盒可触及的范围内。
- 将变压器线连接到阀盒的电源线。
- 将变压器连接到电源。

5. 安装电池

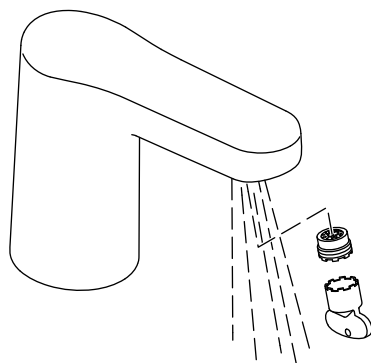
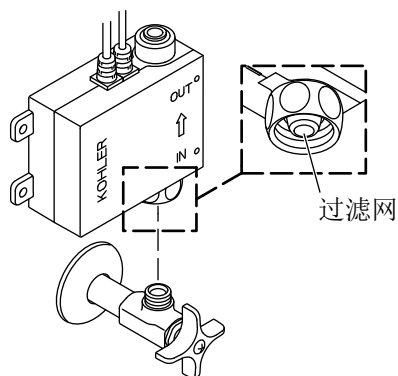


重要信息! 请勿使用可充电电池或锂离子电池。

重要信息! 请勿混用新旧电池。

- 拧下电池盒上的螺丝，取下盖子。
- 将 4 节 AA 电池按正确方向插入电池盒中。
- 重新安装盖子。用螺丝固定。
- 将电池盒座上的槽与阀盒上的槽对齐。
- 将电池盒座按入到位。
- 将电池盒滑入座中。
- 将电池盒线连接到阀盒的电源线。

操作和清洁



注： 连接完成后 2 分钟内避开传感器前面的区域。如果在前 2 分钟内触发传感器，则传感器将无法正常工作。断开并重新连接电源以重置传感器。

清洁过滤网

- 断开阀盒与供水阀的连接。
- 从阀盒进水口拆下过滤网。
- 冲洗过滤网以清除任何杂质。
- 重新安装过滤网。
- 将阀盒与供水阀重新连接。

清洁起泡器

注： 水龙头配有一把起泡器钥匙，用于拆卸起泡器进行清洁。

- 使用提供的钥匙拆下起泡器。
- 冲洗起泡器以清除任何杂质。
- 重新安装起泡器。

故障排除

本故障排除指南仅供一般辅助之用。有关服务和安装问题或疑虑，请致电 1-800-4KOHLER。

故障表现	可能原因	建议措施
1. 无水流。	<ul style="list-style-type: none">A. 未安装电池或电池装反。B. 无电源或连接错误。C. 感应范围内有物体。D. 传感器镜头脏污。E. 阀芯过滤网堵塞。	<ul style="list-style-type: none">A. 检查电池和电池方向。B. 检查电源和连接。C. 移除物体。D. 用湿软布擦拭传感器镜头。用柔软的干布擦干。E. 从阀芯卸下过滤网，并清洗干净。
2. 流量低。	<ul style="list-style-type: none">A. 供水压力低。B. 起泡器堵塞。C. 阀芯过滤网堵塞。	<ul style="list-style-type: none">A. 检查进水压力是否至少为 20 psi (137 kPa)。B. 拆下并清洁起泡器。对于钙/矿物质沉积物，从起泡器中取出塑料插件，然后仅将插件浸泡在 50:50 的醋水混合液中。C. 从阀芯卸下过滤网，并清洗干净。
3. 水流恒定不变。	<ul style="list-style-type: none">A. 电磁阀不工作。	<ul style="list-style-type: none">A. 订购并安装新的控制阀盒。
4. 水龙头持续滴水。	<ul style="list-style-type: none">A. 电磁阀膜片损坏。	<ul style="list-style-type: none">A. 订购并安装新的控制阀盒。

故障表现	可能原因	建议措施
<p>5. 间歇性激活。</p>	<p>A. 水龙头与台面的角度不正确或与使用区域未对准。</p> <p>B. 传感器镜头脏污。</p> <p>C. 传感器区域内有物体。</p> <p>D. 传感器透镜或传感器导线损坏。</p>	<p>A. 确认水龙头已按照安装说明安装。</p> <p>B. 用湿软布擦拭传感器镜头。用柔软的干布擦干。</p> <p>C. 将物体移离传感器区域。按照安装说明，确认出水口朝向水槽台下盆。</p> <p>D. 订购并安装新的出水口组件。</p>
<p>6. 传感器大约每 2 秒闪烁一次。</p>	<p>A. 电池无电。</p>	<p>A. 更换电池。</p>

Installation Instructions

Touchless Bathroom Sink Faucet

Thank You for Choosing KOHLER

Need help? Contact our Customer Care Center.

- Mainland China: +(86) 800-820-2628, +(86) 400-820-2628
- Hong Kong (China), Macau (China), Taiwan (China): +(852) 3125-7728

Warranty

This product is covered under the **Three-Year Limited Warranty for KOHLER® Sensor Faucets**, found in the packed Compliance Certification.

Important Information



WARNING: When using electrical products, basic precautions should always be followed, including the following:



DANGER: Risk of electric shock. Connect only to a circuit protected by a Residual Current Device (RCD).



WARNING: Risk of electric shock. Grounding is required. A qualified electrician should make all electrical connections.



WARNING: Risk of electric shock. Disconnect the power before servicing.



WARNING: Risk of injury or property damage. Read all instructions thoroughly before beginning installation.



CAUTION: Risk of fresh water contamination. This faucet contains back-siphonage protection. To prevent water contamination, do not remove any internal components.



CAUTION: Risk of product damage. This product contains sensitive electronic components. Do not store open containers of chemical or cleaning products near this product. Cleaning rags or sponges must be rinsed with fresh water before storage.

IMPORTANT! Do not use a switch-controlled electrical outlet (typically used for garbage disposals) to provide power to the faucet.

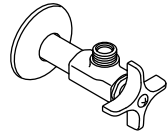
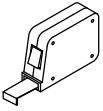
NOTE: This product requires a power supply that uses a specific connector to the valve box. Purchase a KOHLER AC, DC, or hybrid option. A multi-AC adapter is also available. Refer to the product specification sheet found on kohler.com.cn for more information.

Follow all local plumbing, building, and electrical codes.

If installing the optional AC/DC transformer, provide an unswitched 220 V electrical source within reach.

For uneven mounting surfaces (such as tile grout lines), apply a suitable sealant under the faucet. **Do not use petroleum-based sealant.**

Tools and Materials



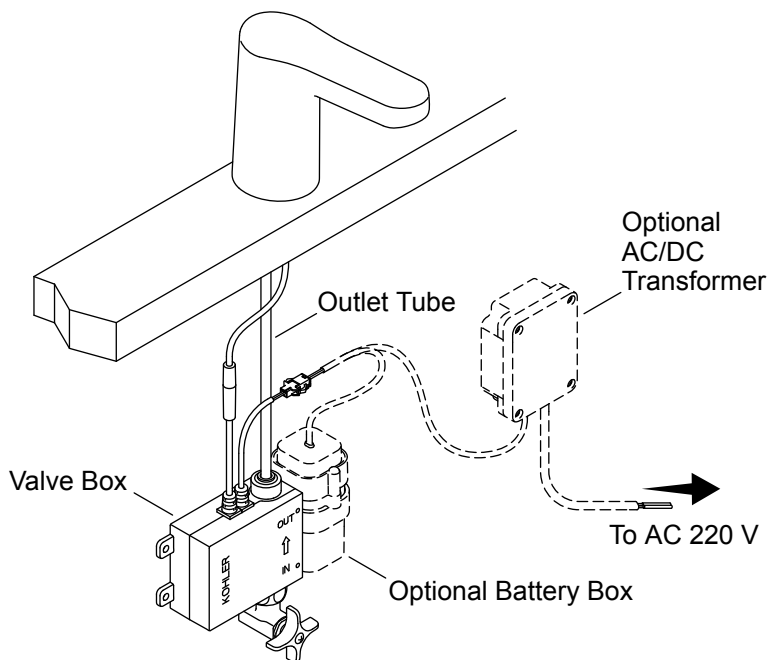
G1/2



Optional:

- Unswitched Electrical Outlet (for AC Power Supply)

Before You Begin

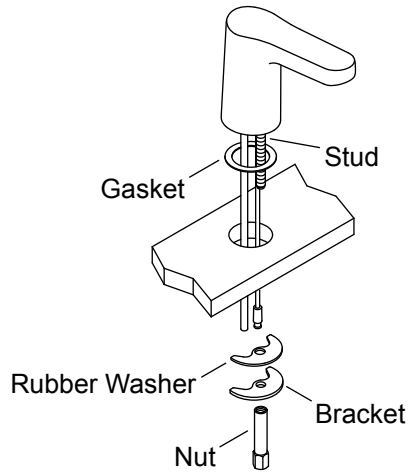
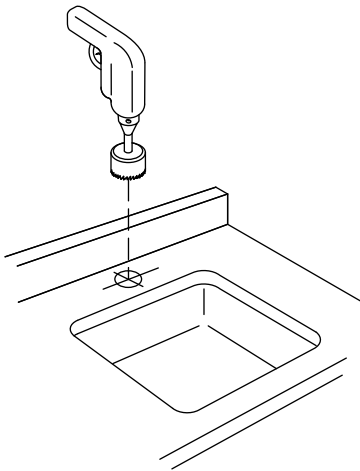


NOTE: Allow adequate clearance for servicing.

NOTE: This faucet is designed for use with the KOHLER 26845T-NA AC/DC transformer, or the KOHLER 26844T-NA battery box. Buy separately.

- Before installing the faucet, verify that the area under the sink can accommodate all required components.
- For AC Power:** Determine the location of the AC/DC transformer (not included) within reach of the valve box. Provide 220 V electrical service to the transformer.
- For DC Power:** Determine the location of the battery box (not included) within reach of the valve box.
- Turn OFF the water supplies.

1. Install the Faucet



NOTE: Before drilling the mounting hole, use the following dimensions for proper placement:

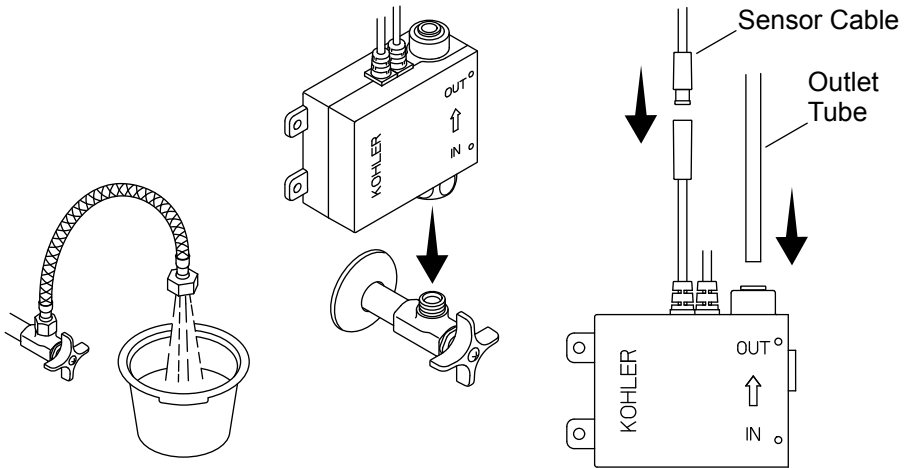
Mounting Hole: 1-1/4" (32 mm) minimum to 1-1/2" (38 mm) maximum diameter.

Spout to Wall: 1-3/4" (44 mm) minimum distance between the back of the spout and the wall.

Spout to Sink: 1-1/8" (29 mm) maximum distance between the spout base and the edge of the sink bowl.

- Determine the mounting-hole location.
- Drill a hole through the mounting surface according to the surface manufacturer's instructions.
- Install the stud to the bottom of the faucet.
- Install the gasket to the bottom of the faucet.
- Insert the faucet through the mounting hole.
- From under the sink, install the rubber washer and bracket onto the stud.
- Thread the nut onto the stud until the faucet is secure.

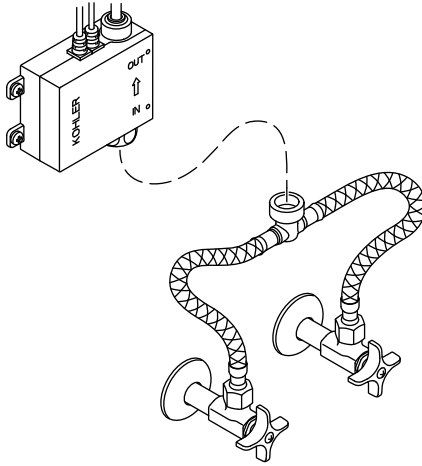
2. Install the Valve Box



CAUTION: Risk of product damage. The water supply must be purged of any debris before connecting to the valve box.

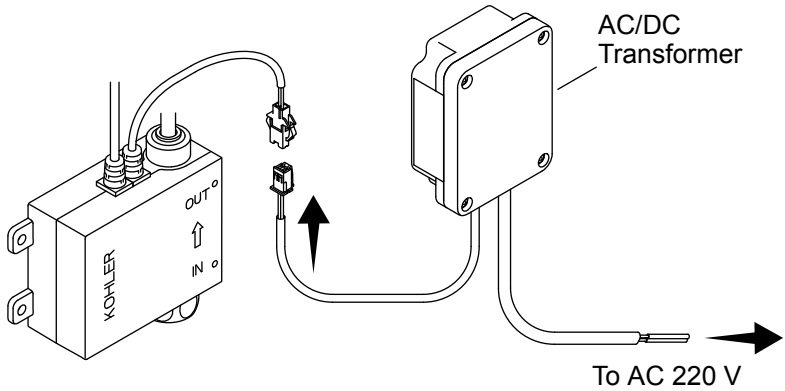
- Connect a supply hose to the water supply stop.
- Direct the other end of the supply hose into a bucket.
- Slowly open the supply stop to flush debris. Continue purging until the water is clear.
- Turn OFF the water supply.
- Position the valve box with the arrow pointing up, and thread directly onto the water supply stop.
- Verify that the outlet tube from the faucet is the appropriate length to reach the valve box.
- If necessary, cut the outlet tube. Remove any burrs and sharp edges.
- Insert the outlet tube into the valve box fitting until the tube stops.
- Verify that the outlet tube is secure.
- Connect the sensor cable from the spout to the connector on the valve box.

3. Install the Mixing Valve (Optional)



- Connect the mixing valve to the inlet on the valve box.
- Connect the hoses from the mixing valve to the supply stops.

4. Install the AC/DC Transformer (Optional)



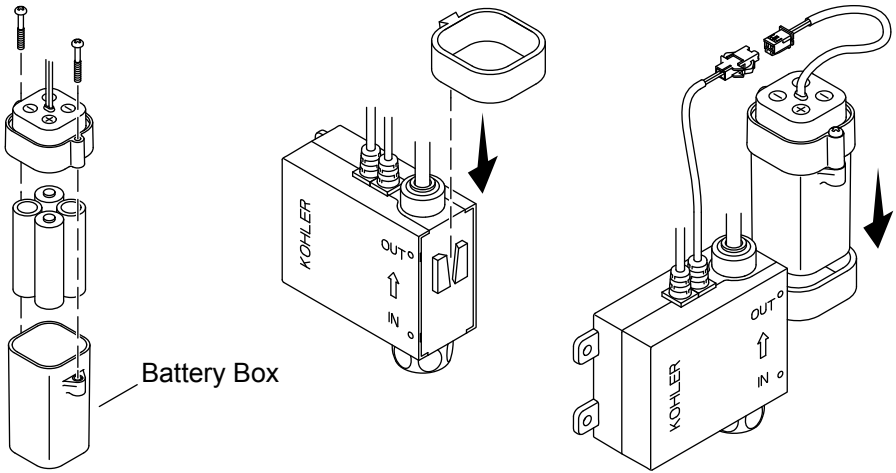
NOTICE: If your faucet will be powered with batteries, refer to the “Install the Batteries” section.

IMPORTANT! Do not use a switch-controlled electrical outlet (typically used for garbage disposals) to provide power to the faucet.

NOTICE: When selecting a location for the AC/DC transformer, verify that the transformer cord will reach the power cord on the valve box.

- Install a constant unswitched 220 V electrical source.
- Install the AC/DC transformer (sold separately) within reach of the valve box.
- Connect the transformer cord to the power cord on the valve box.
- Connect transformer to the electrical supply.

5. Install the Batteries

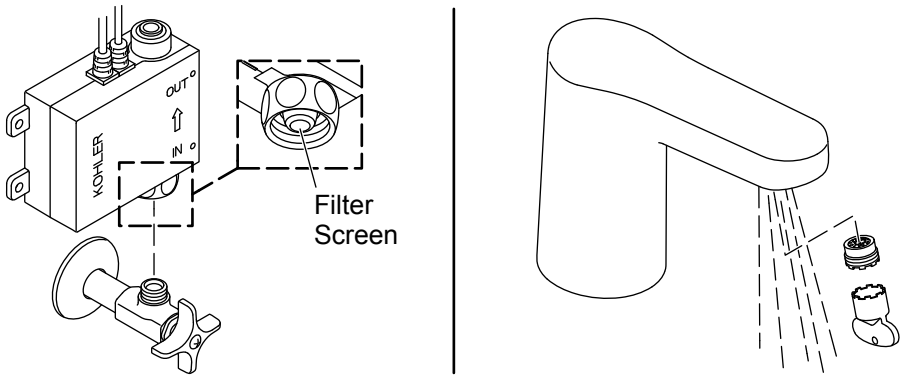


IMPORTANT! Do not use rechargeable or lithium ion batteries.

IMPORTANT! Do not mix old and new batteries.

- Unthread the screws from the battery box to remove the cover.
- Insert four AA batteries in the correct orientation in the battery box.
- Reinstall the cover. Secure with the screws.
- Align the groove on the battery box holder with the slot on the valve box.
- Press the battery box holder in place.
- Slide the battery box into the holder.
- Connect the battery box cord to the power cord on the valve box.

Operation and Cleaning



NOTE: Avoid the area in front of the sensor for 2 minutes after connections are complete. The sensor will not function correctly if triggered in the first 2 minutes. Disconnect and reconnect the power to reset the sensor.

Cleaning the Filter Screen

- Disconnect the valve box from the water supply stop.
- Remove the filter screen from the valve box inlet.
- Rinse the filter screen to remove any debris.
- Reinstall the filter screen.
- Reconnect the valve box to the water supply stop.

Cleaning the Aerator

NOTE: The faucet is supplied with an aerator key to remove the aerator for cleaning.

- Remove the aerator using the provided key.
- Rinse the aerator to remove any debris.
- Reinstall the aerator.

Troubleshooting

This troubleshooting guide is for general aid only. For service and installation issues or concerns, call 1-800-4KOHLER.

Symptoms	Probable Cause	Recommended Action
1. No water flow.	<ul style="list-style-type: none">A. No batteries, or batteries installed in reverse.B. No power supply or wrong connection.C. Object in sensing range.D. Sensor lens is dirty.E. Valve filter screen is plugged.	<ul style="list-style-type: none">A. Check batteries and batteries orientation.B. Check the power supply and connection.C. Remove the object.D. Wipe the sensor lens with a damp soft cloth. Wipe dry with a dry soft cloth.E. Remove and clean the valve filter screen.
2. Low flow.	<ul style="list-style-type: none">A. Supply pressure is low.B. Aerator is plugged.C. Valve filter screen is plugged.	<ul style="list-style-type: none">A. Check that the incoming water pressure is at least 20 psi (137 kPa).B. Remove and clean the aerator. For calcium/mineral deposits, remove the plastic insert from the aerator and soak only the insert in a 50:50 mixture of vinegar and water.C. Remove and clean the valve filter screen.
3. Constant water flow.	<ul style="list-style-type: none">A. Solenoid is not functioning.	<ul style="list-style-type: none">A. Order and install a new control valve box.

Symptoms	Probable Cause	Recommended Action
4. Constant steady drip from the faucet.	A. Solenoid diaphragm is damaged.	A. Order and install a new control valve box.
5. Intermittent activation.	A. Faucet is angled incorrectly to the deck or misaligned with the user area. B. Sensor lens is dirty. C. Object in the sensor area. D. Sensor lens or sensor wires are damaged.	A. Verify that the faucet is mounted according to the installation directions. B. Wipe the sensor lens with a damp soft cloth. Wipe dry with a dry soft cloth. C. Move the object away from the sensor area. Verify that the spout is positioned toward sink bowl according to the installation instructions. D. Order and install a new spout assembly.
6. Sensor flashes once approximately every 2 seconds.	A. Batteries are out of power.	A. Replace the batteries.

[kohler.com](https://www.kohler.com)

THE BOLD LOOK
OF **KOHLER**®

©2023 Kohler Co.



1551902-T2

1551902-T2-A