

记录您的型号:

Record your model number: _____

⚠️ 小心: 存在淡水污染风险。此水龙头包含反虹吸保护。为防止水污染, 请勿移除任何内部组件。

重要信息! 安装水龙头后, 较薄的不锈钢水槽可能会弯曲。可以考虑增加 1/2 英寸胶合板作为支撑, 以使安装更加稳固。

您的产品可能与所示产品有所不同。安装步骤相同。

请遵守当地管路安装及建筑条例。

如果可能, 在安装水槽之前, 将水龙头安装到水槽上。

关闭供水系统。

1A. 供水阀

3A. 将螺钉部分拧入环中, 直至螺钉从另一侧伸出 1/4 英寸 (6 毫米)。

5A. 前后定位螺钉。拧紧螺丝。

6A. 打开供水系统, 检查是否漏水。

7A. 冲洗热水和冷水供水管道 1 分钟以去除杂质。

8A. **部分型号:** 将配重安装到喷头软管上。

9A. 将喷头软管与出口管对齐并卡在一起。

10A. **部分型号:** 将配重置于软管环底部上方 2 英寸 (51 毫米) 至 3 英寸 (76 毫米) 之间。

11A. 检查操作是否顺畅。

12A. **部分型号:** 根据需要调整配重, 以实现正确的定位和操作。

13A. **保养:** 打开供水管, 摩擦花洒水嘴, 去除杂质。

14A. **保养:** 定期冲洗滤网垫圈, 去除杂质。

需要帮助? 请联系我们的客户服务中心。

• 中国大陆: +(86) 800-820-2628, +(86) 400-820-2628

• 中国香港、中国澳门、中国台湾: +(852) 3125-7728

本产品支持科勒®水龙头五年有限担保, 详见包装所附的《合格证》。

⚠️ CAUTION: Risk of fresh water contamination. This faucet contains back-siphonage protection. To prevent water contamination, do not remove any internal components.

IMPORTANT! Thin stainless steel sinks may flex after faucet installation. Consider adding 1/2" plywood support for a more rigid installation.

Your product may appear different from the one illustrated. The installation procedure is the same.

Follow all local plumbing and building codes.

If possible, assemble the faucet to the sink before installing the sink.

Turn OFF the water supplies.

1A. Supply Stops

3A. Partially thread the screws into the ring until they extend 1/4" (6 mm) out the opposite side.

5A. Position the screws to the front and back. Tighten the screws.

6A. Turn ON the water supply and check for leaks.

7A. Flush hot and cold water for 1 minute to remove any debris.

8A. **Some models:** Install the weight onto the spray hose.

9A. Align the spray hose with the outlet tube and click together.

10A. **Some models:** Position the weight between 2" (51 mm) and 3" (76 mm) above the bottom of the hose loop.

11A. Check for smooth operation.

12A. **Some models:** Adjust the weight as needed for proper positioning and operation.

13A. **Maintenance:** Periodically rub debris from the nozzles while water is running.

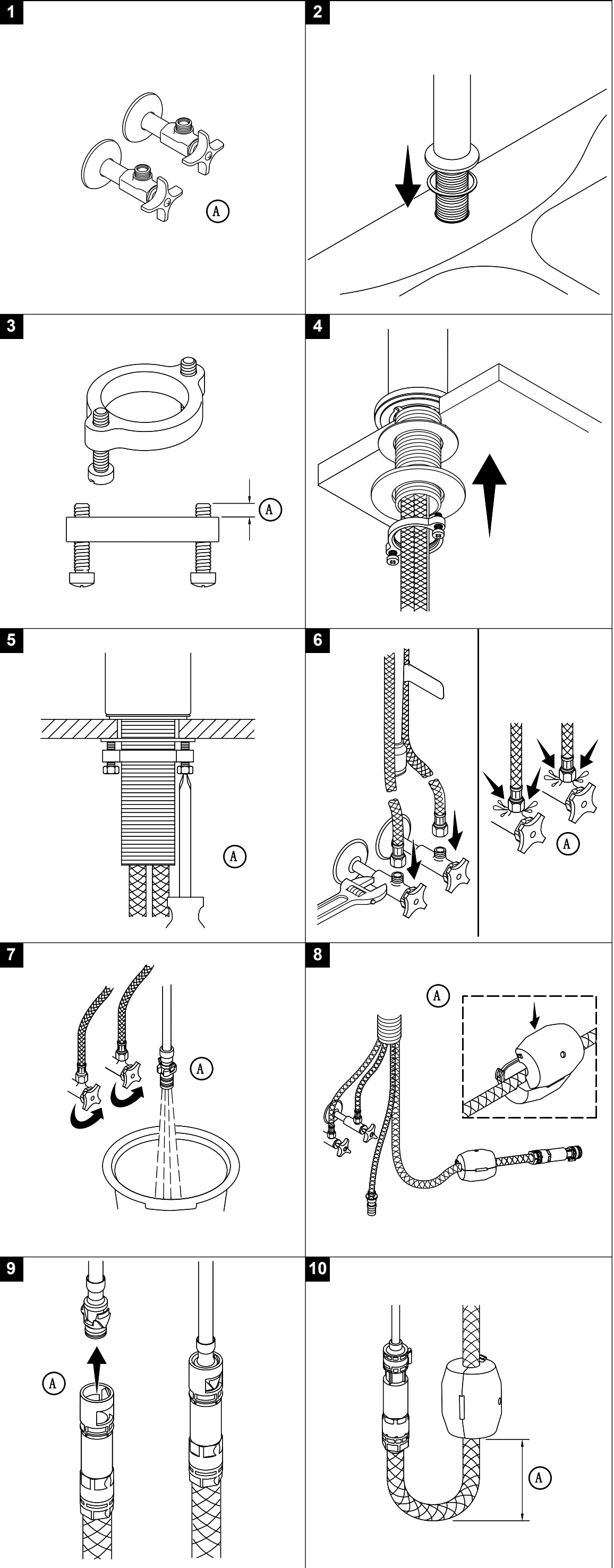
14A. **Maintenance:** Periodically rinse debris from the screen washer.

Need help? Contact our Customer Care Center.

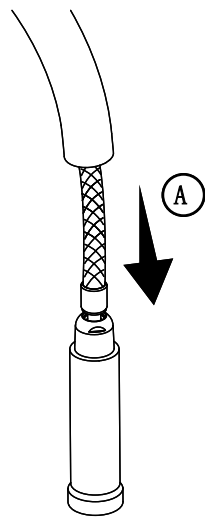
• Mainland China: +(86) 800-820-2628, +(86) 400-820-2628

• Hong Kong (China), Macau (China), Taiwan (China): +(852) 3125-7728

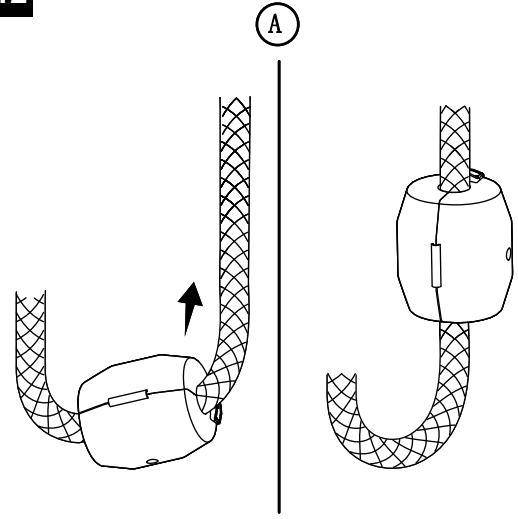
This product is covered under the **Five-Year Limited Warranty for KOHLER® Faucets**, found in the packed Compliance Certification.



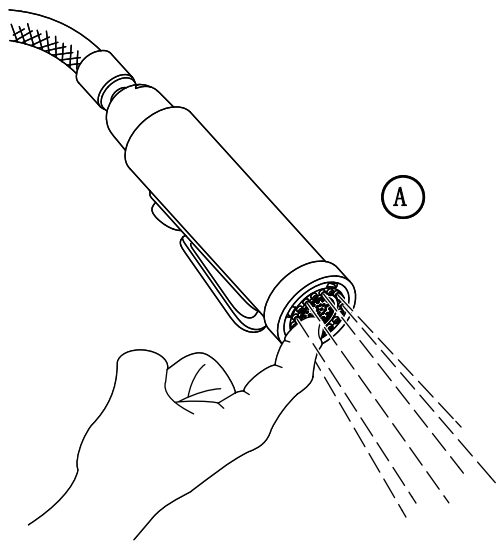
11



12



13



14

