

NOTE: Make sure enough installation clearance.
注意: 预留足够的安装空间。

FINISHED WALL/BACK SPLASH
 完工墙面 / 后防溅挡板

KOHLER

K-21916T-1
FAMILY CARE 亲悦

UNDER-COUNTER LAVATORY
 台下盆
 CUT-OUT TEMPLATE / INSTALLATION INSTRUCTIONS
 切割图/安装说明书

BEFORE YOU BEGIN

- Due to the nature of the installation, undercounter lavatories should be installed by trained and experienced installers.
- Do not use adhesives or adhesive sealants between marble countertop and lavatory.
- Inspect the waste and supply tubing; replace if necessary.
- Prior to installation, unpack the new lavatory and inspect it for damage. Return the lavatory its protective carton until you are ready to install it.
- Observe all local plumbing and building codes.
- Kohler lavatory is made according to American National Standard that it can match the American lavatory fittings. Any other lavatory fittings may not fit for Kohler lavatory.
- Fixture dimensions are nominal and conform to tolerances established by ASME Standards (A112.19.2-2013).
- The product complies with GB/T 6952-2015.

安装之前

- 有关安装专业性, 故台下盆必须由受过训练及有经验的技术人员进行安装。
- 切勿在台盆与大理石之间使用黏剂或有黏性的密封胶。
- 检查出水及供水管道, 如有需要便更换。
- 安装之前先打开新脸盆的包装, 检查有无破损后放回纸箱中以免损坏, 到准备安装时才取出。
- 遵守当地所有给排水及建筑规定。
- 科勒洗盆是根据美国标准制造的, 与美式洗盆配件相配, 其它洗盆配件可能与之不相配。
- 部件尺寸为标称值, 误差符合美国ASME标准(A112.19.2-2013)。
- 本产品符合GB/T 6952-2015。

TOOLS AND MATERIALS (Not Supplied)

- Sealant
- Pencil
- Tape measure
- Sharp knife or scissors
- Keyhole or saber saw
- Drill (1/2" dia. drill bit or larger)
- Safety glasses
- Hammer
- Rags or paper toweling
- Strong AB sealant

NOTE: You may require different, more specialized tools to install this lavatory to countertop materials other than wood or wood composites.

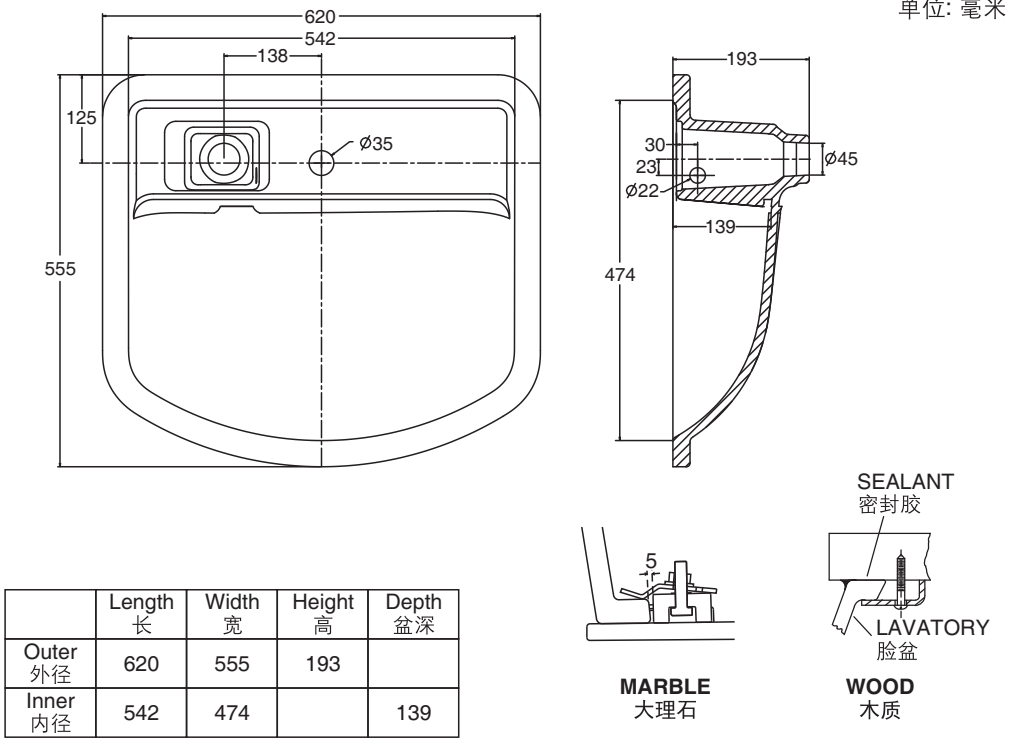
所需工具及物料
(不随货供应)

- 密封胶
- 铅笔
- 卷尺
- 尖刀或剃刀
- 钻孔铤或手电钻
- 钻头(直径1/2英寸或更大的铤)
- 防护眼镜
- 锤子
- 抹布或纸巾
- 高强度AB胶

注意: 若置洗台的物料并非木质或木质复合材料, 则您可能需要在安装脸盆时使用其他更专门的工具。

ROUGHING-IN

Reference Value
 参考值



Note: waterproof unprotacted overhang area on the underside of wood counter.
注: 木质置洗台面底下突出部分须作防水处理。

Kohler will not be responsible for any product damage or property loss caused by not following Kohler's instructions for installation, care and cleaning.

科勒对所有未按科勒要求安装、护理和清洁而造成的损失恕不负责。

WHEN PLOTTING TEMPLATE FULL SIZE:
 Make sure horizontal and vertical dimensions match the dimensions labeled on the template.

当按实际大小绘制切割图时, 请确定脸盆水平及垂直方向的大小跟切割图上所标注的尺寸是一致的。

PREPARATIONS FOR INSTALLATION

- Cut the template on the cutout line.
- Position the template on the countertop to ensure clearance between the lavatory, faucet, and backsplash.
- Verify cabinet clearance beneath the countertop.
- Trace the template on the countertop with a pencil.
- Re-check the clearance between the lavatory, faucet, backsplash, and cabinet. Adjust the template accordingly.
- Drill a 13mm hole on the inside of the cutout opening.
- Cut the opening in the countertop along the inside edge of the pencil line.
- Temporarily position the lavatory in the opening, and adjust to fit.

准备安装

- 将切割图沿切割线切出。
- 将切割图放在置洗台上, 确保脸盆、水龙头和防溅挡板之间有足够距离。
- 查核置洗台下的储物柜也有足够空间。
- 用铅笔沿切割图在置洗台面划线。
- 再次检查脸盆、水龙头、防溅挡板及储物柜的空间及距离, 如有需要可调整切割图的位置。
- 用一个13mm的钻头, 在切割口内侧钻一个穿孔。
- 沿着自切割图划出来的铅笔线内侧切开台面。

FOR WOOD COUNTERTOPS

- Mark and pre-drill the wood screw holes at the locations shown on the template.
- Waterproof any exposed areas of wood.

木制置洗台

- 按照模板所示的位置, 在台面标出及预先钻受木螺钉的孔位。
- 其他外露的木表面需保持防水。

FOR MARBLE COUNTERTOPS

- Clean the countertop and block. Keep them dry.

大理石置洗台

- 清洁台面和定位块, 并保持干燥。

- Take same amount of strong A and B sealant and mix them up.

- 取高强度A、B胶若干, 按1:1搅匀。

- Insert the screw into the hole on middle of the block and then apply the mixed sealant onto the block.

- 将螺丝放入定位块中间的孔内, 并将搅匀的胶水涂抹在定位块上。

- Glue the block to the countertop as shown.

- 将定位块按位置与台面粘合。

- Fix the block and keep at least 5mm from the edge of the lavatory.

- 固定定位块, 并与盆边保持5mm以上的距离。

- Place the lavatory after 2 hours. Tighten the screw and apply silicone sealant around the edge of the lavatory.

- 2小时后将盆放好, 拧紧螺母, 沿盆边打好硅胶。

- Keep away from heavy objects within 24 hours.

- 24小时内勿承重物。

BLOCK
 定位块

CLIP LOCATIONS
 夹子位置

IMPORTANT:
 For wooden countertop, basin clamp assembly 52047 purchased can only be used on countertops a minimum thickness of 1". Installer must supply anchors for thinner countertops.

重要:
 对于木质台面, 另购的52047夹子组件仅可用于厚度最少为25mm的台面。如果台面较薄, 请另外使用膨胀螺栓固定。

INSTALL NEW LAVATORY

- If possible, assemble the faucet and drain to the lavatory before installing the lavatory. Please follow the manufacturer's instructions.
- Clean the underside of the countertop and the rim of the lavatory.

安装新脸盆

- 如果可能的话, 在安装脸盆之前将脸盆上的水龙头和排水管, 请按照制造商的说明书进行操作。
- 清洁台面下部以及脸盆边缘。

- Loosely install the clips.

- 安装夹子, 切勿上紧。

- Evenly apply silicone sealant to the rim of the lavatory where it meets the countertop.

- 在置洗台接脸盆的边缘均匀涂上硅胶类密封胶。

- NOTE:**
 - Please use soft and water-proof sealant.
 - Do not use epoxy resin adhesive or sealing materials that will expand after concreting, such as cement. Otherwise, Kohler will not be responsible for any product damage caused by such material.

- 注意:**
 - 只能使用柔软的防水密封胶。
 - 切勿使用环氧树脂胶或水泥等硬化后体积变大的密封胶材料。科勒对所有因此引起的陶瓷破裂都不负责。

- Carefully put the lavatory into the opening of the countertop. Adjust the position and tighten the clips. Do not over-tighten.

- 把脸盆小心地放到置洗台开口下, 调整位置并上紧夹具, 切勿上得太紧。

- NOTE:**
 - For wooden countertop, use the clamp assembly supplied.
 - For countertop made of wood or wood compound (over 25mm thick), purchase clamp assembly 52047.
 - For countertop of other materials, use proper clamp assembly by referring to the suggestions on the installation instructions of the countertop manufacturer.

- 注意:**
 - 大理石材质的置洗台, 使用随附的夹子组件。
 - 木、木质复合材料的置洗台(厚度25毫米以上), 可另行购买夹子组件52047。
 - 其它材料制造的置洗台, 则请参考置洗台制造商说明书上的建议, 使用适当的配件。

- Immediately wipe away excessive sealant.
- Connect the faucet supply pipe and drainage pipe according to manufacturer's instructions.
- Turn on the faucet valve to check for leakage.
- Clean up with non-corrosive detergent.

- 立即擦去多余的密封胶。
- 根据制造商说明书连接水龙头供水管和排水管。
- 开启水龙头阀门, 检查是否有渗漏。
- 使用非腐蚀性的清洁剂进行清洁。

IMPORTANT CONSUMER INFORMATION (CARE AND CLEANING)

- To keep your lavatory looking new, make sure you rinse it out thoroughly after each use. **DO NOT USE ABRASIVES** on this product, as they will scratch and ruin the surface. Stubborn stains, paint, or tar can be removed with turpentine or paint thinner.
- Do not use the product in the water below 0°C.
- Please do not use hard materials (like scouring pad) to clean product surface, especially the product logo.

用户须知 (护理和清洁)

- 为保持脸盆光洁如新, 须确保每次使用后彻底冲洗干净, 切勿使用腐蚀性的清洁剂, 以免刮花及破坏脸盆的表面, 要清除顽固污垢, 可使用松油或油漆稀释剂。
- 不要在0°C以下的水环境中使用。
- 请勿使用钢丝球等硬质材料擦洗产品表面, 特别是产品商标处。

SERVICE PARTS

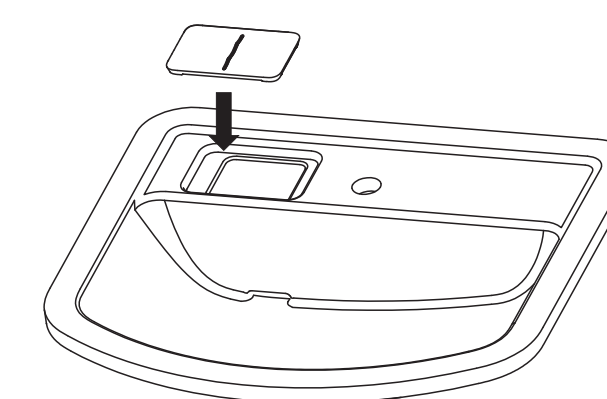
维修零件



Note: Please purchase clamp accessory pack 52047 for wooden countertop.
注意: 如为木质台面, 请另行购买夹子组件52047。

Take out Deck assembly and place it at the designated place after installation is finished.

安装完毕台下盆后, 取出置物板放置在台下盆指定位置。



CUT ALONG THIS LINE
 沿此线切割

WHEN PLOTTING TEMPLATE FULL SIZE:
 Make sure horizontal and vertical dimensions match the dimensions labeled on the template.
 按实际大小绘制切割图时, 请确保横向及纵向尺寸与切割图上所标尺寸相符。

No.2 KOHLER ROAD, SANSHUI CENTRAL INDUSTRIAL PARK, LEPING TOWN, SANSHUI DIST., FOSHAN, GUANGDONG, PRC POST CODE 528137
 广东省佛山市三水区乐平镇三水中心工业园区科勒大道2号 邮编: 528137

8# MENGSHAN RD, ECONOMIC DEVELOPMENT ZONE OF HUANTAI, ZIBO, SHANDONG, CHINA POST CODE: 256410
 山东省淄博市桓台经济开发区蒙山路8号 邮编: 256410

1359354-T01-A

© Copyright Kohler China Investment Co., Ltd. 1988
 © 版权为科勒(中国)投资有限公司所有 2018