

Installation Instructions

Electronic Bathroom Sink Faucet

Record your model number:

Noter le numéro de modèle:

Anote su número de modelo: _____

Français, page 20

Español, página 40

KOHLER®

Thank You for Choosing KOHLER

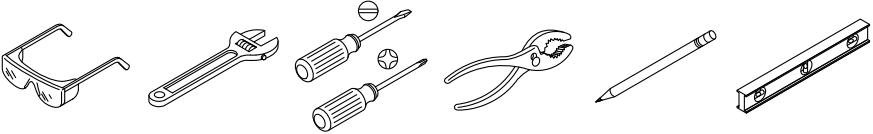
Need help? Contact our Customer Care Center.

- USA/Canada: 1-800-4KOHLER (1-800-456-4537) Mexico: 001-800-456-4537
- Service parts: [kohler.com/serviceparts](https://www.kohler.com/serviceparts)
- Care and cleaning: [kohler.com/clean](https://www.kohler.com/clean)
- Patents: [kohlercompany.com/patents](https://www.kohlercompany.com/patents)

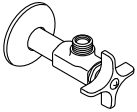
Warranty

This product is covered under the **KOHLER® One-Year Limited Warranty**, found at [kohler.com/warranty](https://www.kohler.com/warranty). For a hardcopy of warranty terms, contact the Customer Care Center.

Tools



Plumbers Putty Sealant Tape 1/8" Drill Bit 1-1/4" to 1-1/2" Hole Bit



3/8" Supply Stop

Before You Begin



WARNING: When using electrical products, basic precautions should always be followed, including the following:



DANGER: Risk of electric shock. Connect only to a circuit protected by a Ground-Fault Circuit-Interrupter (GFCI)*.



WARNING: Risk of electric shock. Grounding is required. A qualified electrician should make all electrical connections.



WARNING: Risk of electric shock. Disconnect the power before servicing.



WARNING: Risk of injury or property damage. Read all instructions thoroughly before beginning installation.



CAUTION: Risk of fresh water contamination. This faucet contains back-siphonage protection. To prevent water contamination, do not remove any internal components.



CAUTION: Risk of product damage. This product contains sensitive electronic components. Do not store open containers of chemical or cleaning products near this product. Cleaning rags or sponges must be rinsed with fresh water before storage.

*Outside North America, this may be known as a Residual Current Device (RCD).

Provide a constant unswitched 120 VAC electrical outlet located below the sink within 5' (1.5 m) of the control box.

Follow all local plumbing and building codes.

Turn OFF the water supplies.

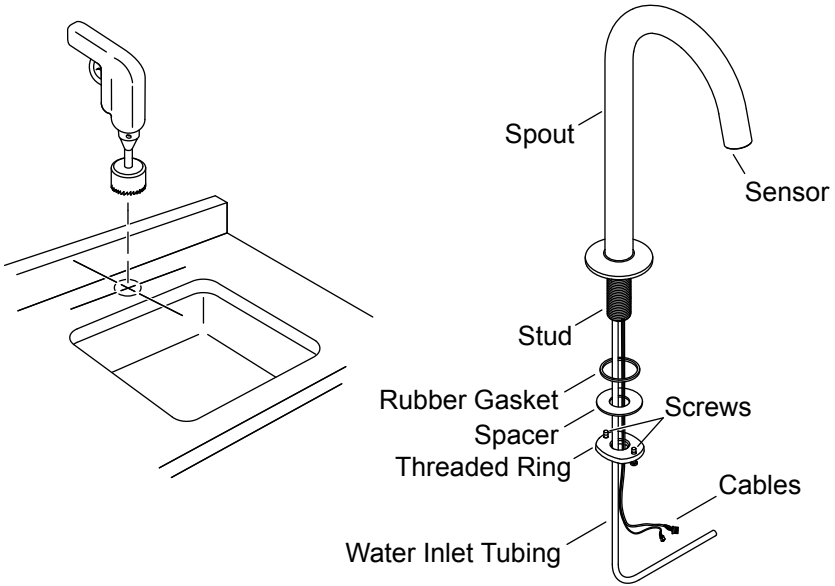
This faucet is for a single-hole bathroom sink.

For new installations, install the faucet and drain to the sink before installing the sink.

The faucet shown in this guide may differ from your actual product. The installation steps still apply.

For installation with a mixing valve, two 3/8" compression supply hoses are required.

1. Install the Faucet



NOTE: Before drilling the mounting hole, use the following dimensions for proper placement:

Dimensional Requirements

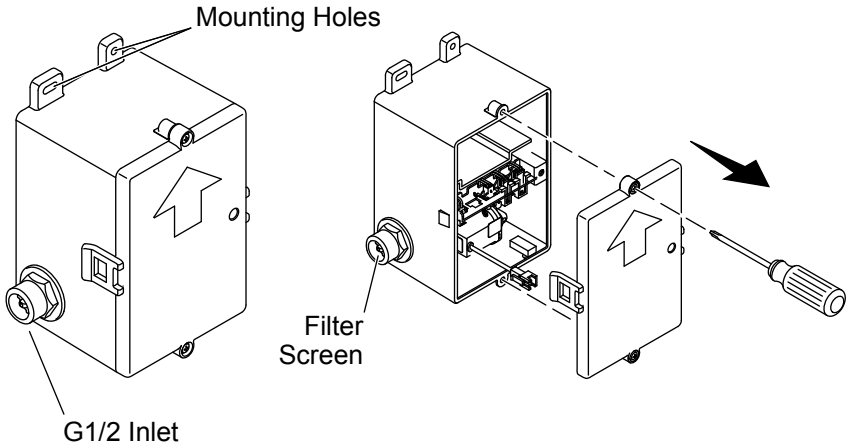
- Mounting Hole:** 1-1/4" (32 mm) minimum to 1-1/2" (38 mm) maximum diameter.
- Spout to Wall:** 1-3/4" (44 mm) minimum distance between the back of the spout and the wall.
- Spout to Sink:** 1-1/8" (29 mm) maximum distance between the spout base and the edge of the sink bowl.

Install the Faucet

- Determine the mounting-hole location.
- Drill a hole through the mounting surface according to the surface manufacturer's instructions.
- Install the rubber gasket into the groove on the bottom of the escutcheon.

- Insert the faucet, water inlet tubing, and cables through the mounting hole.
- Partially thread the screws into the threaded ring until they extend 1/4" (6 mm) out the opposite side.
- From under the sink, install the spacer and threaded ring onto the spout.
- Position the screws to the front and back. Tighten the screws.

2. Install the Control Box

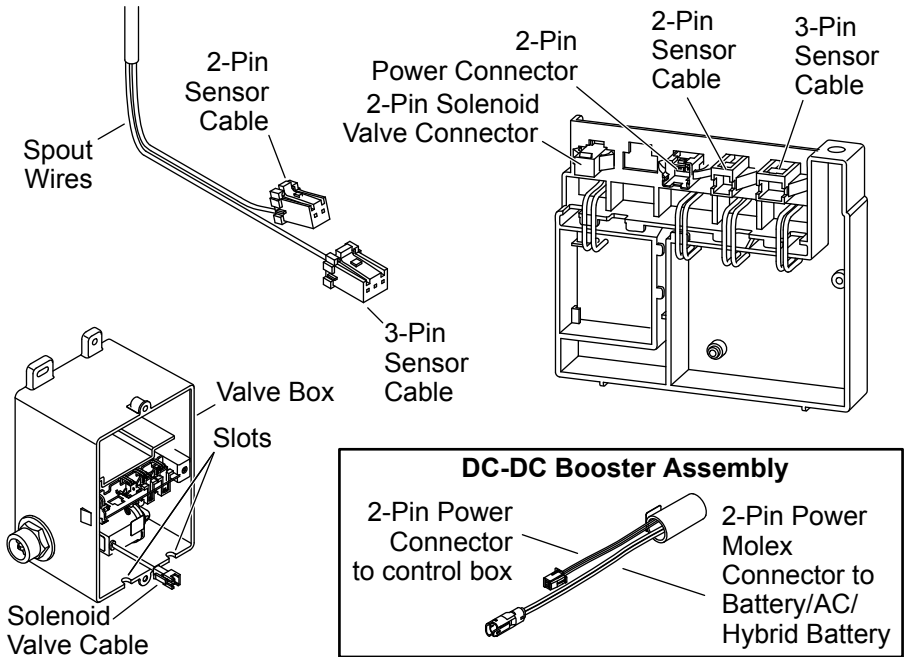


NOTE: Verify that the flex hose can be connected to the supply stop and the control box inlet before attaching the control box to the wall.

NOTE: Refer to the Specification Sheet to determine the control box installation location.

- Position the control box below the deck and mark the locations for the mounting holes.
- Verify that the sensor cable is below the countertop.
- Drill 1/8" (3 mm) pilot holes.
- Use the standard wall anchors (provided) depending on your wall material.
- Attach the control box to the wall with the arrow pointing upward. Secure with the two screws (provided).
- Unthread the control box screws to remove the cover.

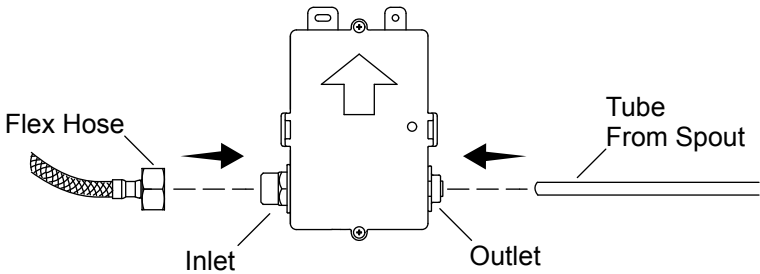
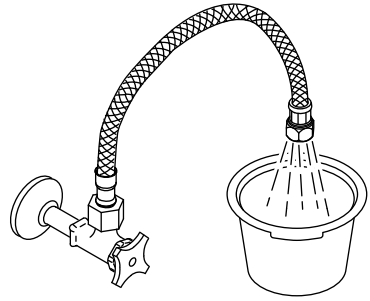
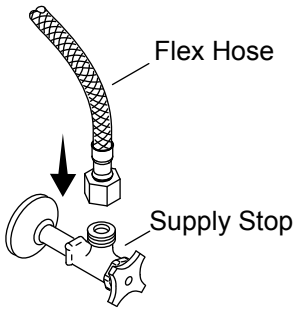
3. Connect the Control Box



IMPORTANT! The control box and cover have slots for the sensor cables. Use care not to pinch the sensor cables when installing the cover.

- Connect the 2-pin power connector (white) from the DC-DC booster assembly to the 2-pin power connector (white) of the control box.
- Connect the 3-pin sensor cable from the valve cover to the 3-pin sensor cable from the spout (red, white, and green cables).
- Connect the 2-pin sensor cable from the valve cover to the 2-pin sensor cable from the spout (orange and black cables).
- Guide the sensor cables through the slots in the control box.
- Loosely secure the cover to the control box for future access.

4. Connect the Supplies



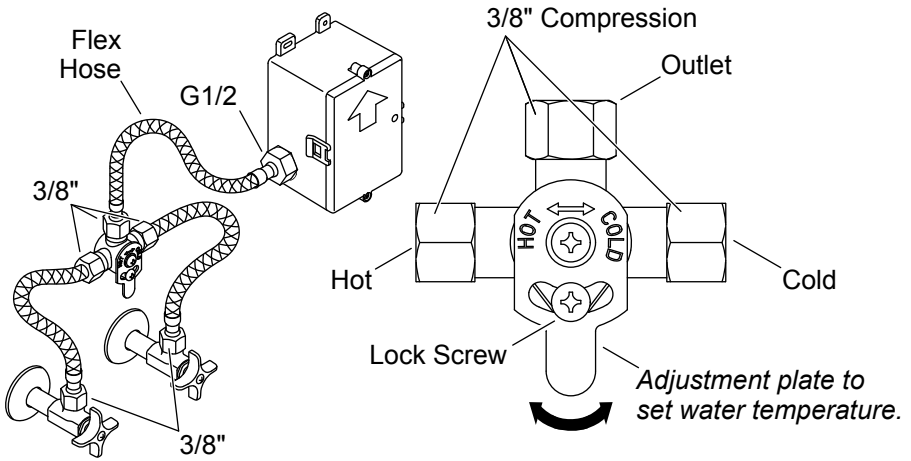
Inlet Connections

- Connect the flex hose to the supply stop.
- Place a bucket under the supply stop and turn ON the water supply.
- Slowly open the supply stop to flush debris.
- Turn OFF the water.
- Connect the provided flex hose from the supply stop to the control box.

Outlet Connections

- Verify that the tube from the spout is the appropriate length to reach the control box. Cut the tube if necessary. Remove any burrs and sharp edges.
- Insert the tube into the fitting (control box outlet end) until the tube stops.
- Verify that the tube is secure.

5. Install the Mixing Valve (If Included)

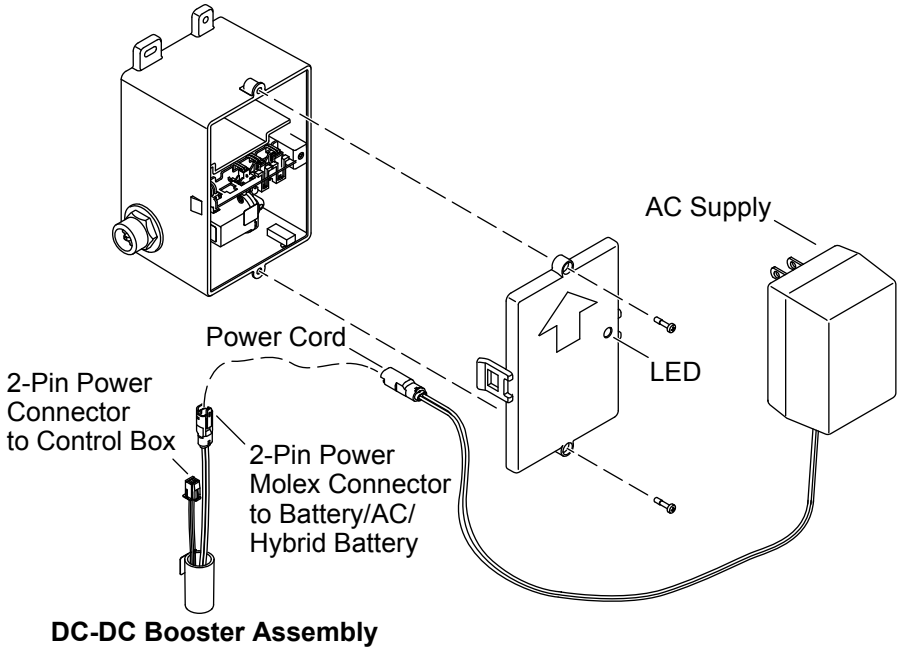


- If a mixing valve is included with your product, connect the flex hoses as shown.
- Attach the provided flex hose to the control box inlet and the outlet of the mixing valve.
- Use a 3/8" compression connection (not provided) to attach the cold supply to the cold inlet on the mixing valve (marked cold on the adjustment plate).
- Use a 3/8" compression connection (not provided) to attach the hot supply to the hot inlet on the mixing valve (marked hot on the adjustment plate).

Temperature Adjustment

- Loosen the lock screw on the adjustment plate.
- Rotate the adjustment plate to adjust the temperature.
- Retighten the lock screw.

6. Install the AC Single Supply



IMPORTANT! Verify that you are following the correct power system installation based on your model number. For a multi-output AC supply power unit installation, refer to "Install AC Multi-Output Supply". For a hard wire power installation, refer to "Hard Wire Installation".

IMPORTANT! Use care not to pinch the tube or cables when installing the cover.

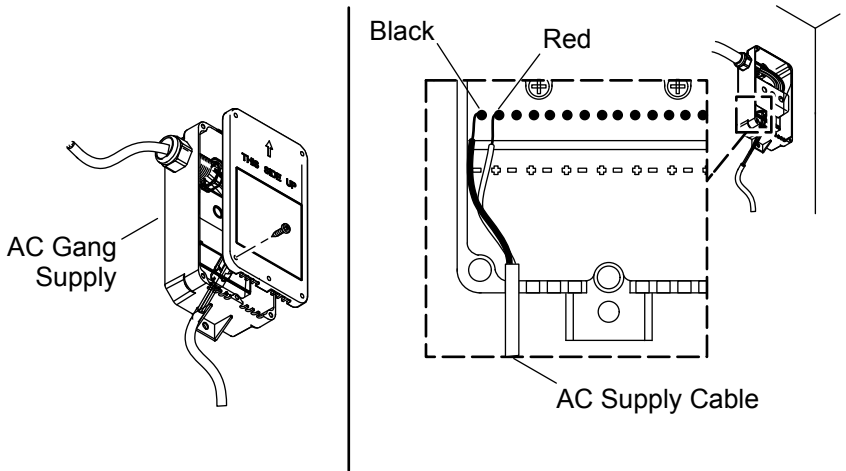
IMPORTANT! The area in front of the sensor must be free of objects during the 2 minute learning cycle or the faucet may not function properly.

NOTE: When the faucet is initially connected to an AC or DC power source, the LED will flash to indicate the sensor detection range is auto-adjusting.

- Unthread the control box screws to remove the control box cover.
- Connect the power cords.
- Plug the AC supply into the wall outlet.
- Secure any excess wire under the deck.

- Secure the control box cover to the control box.
- Allow 2 minutes for the sensor to cycle through the automatic sensing distance.

7. Install the AC Multi-Output Supply

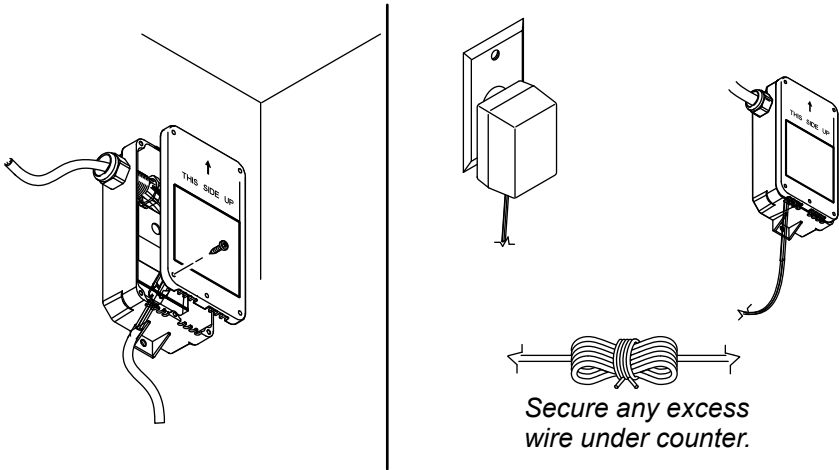


IMPORTANT! The area in front of the sensor must be free of objects during the 2 minute learning cycle or the faucet may not function properly.

NOTE: If a hard wired installation is required, refer to "Hard Wire Installation".

- Mount the AC supply under the deck using the two screws provided. Orient as shown.
- Remove the cover.
- Connect the faucet wire to the faucet. Maintain a drip loop when connecting.
- If needed, cut and strip the AC supply wires to length.
- Connect the stripped ends to the bottom terminal block in the supply box.
- Secure the terminal box cover to the terminal box.
- Plug the AC supply into an unswitched 120 VAC electrical outlet.
- Secure any excess wire under the deck.
- Allow 2 minutes for the sensor to cycle through the automatic sensing distance.

8. Hard Wire Installation



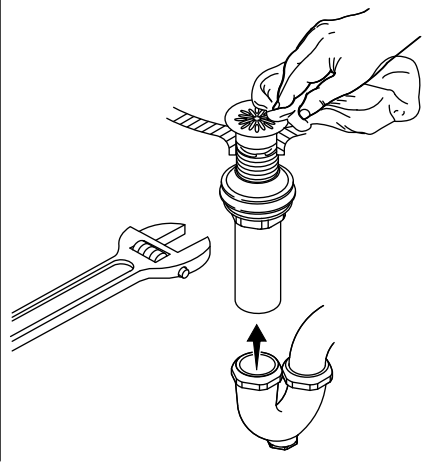
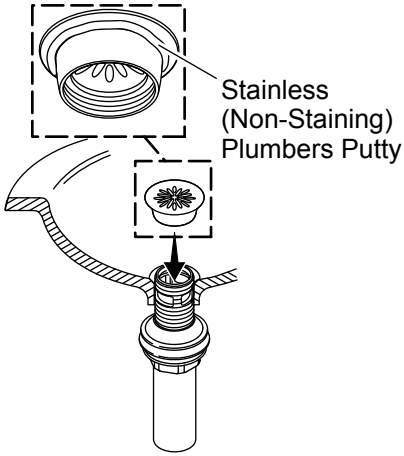
WARNING: Risk of electric shock. Disconnect the power before performing the following procedures.

IMPORTANT! The area in front of the sensor must be free of objects during the 2 minute learning cycle or the faucet may not function properly.

NOTE: If a hard wired installation is required, the strain relief may need to be replaced depending on the wire used.

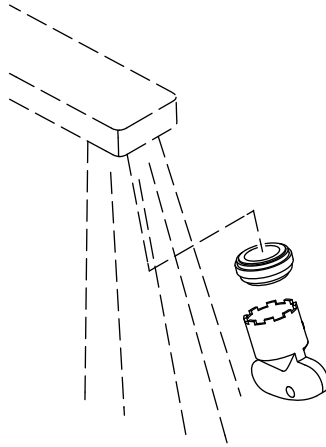
- Loosen the terminal block screws and remove the wires from the top terminal block.
- Loosen the outside nut of the strain relief and remove the power cord.
- Insert the supply wires through the strain relief and connect to the top terminal block.
- Tighten the nut on the strain relief.
- Secure the terminal box cover to the terminal box.
- Turn ON the AC supply power.
- Secure any excess wire under the deck.
- Allow 2 minutes for the sensor to cycle through the automatic sensing distance.

9. Install the Drain



- Disassemble the drain.
- Apply plumbers putty to the underside of the flange and attach.
- Apply thread sealant tape to the drain pipe threads. Tighten the nut.
- Connect the trapway. Wipe away excess plumbers putty.

10. Complete the Installation



NOTE: Avoid the area in front of the sensor for 2 minutes after connections are complete. The sensor will not function correctly if activated in the first 2 minutes. Disconnect and reconnect the power to reset the sensor.

- If applicable, uncover the drain.
- Temporarily cover the sensor on the faucet or turn OFF the water supplies.
- Using the provided key, install the aerator to the spout.
- Uncover the sensors on the faucet or turn ON the water supplies.
- Activate the faucet and check all connections for leaks. Make adjustments as needed.
- Run water through the spout for 1 minute. Check for leaks and make adjustments as needed.

Troubleshooting

This troubleshooting guide is for general aid only. For service and installation issues or concerns, call 1-800-4KOHLER.

Symptoms	Probable Cause	Recommended Action
1. No water flow.	<p>A. The supply stops are turned OFF.</p> <p>B. No power supply or wrong connection.</p> <p>C. Object in sensing range.</p> <p>D. The sensor lens is dirty.</p> <p>E. The filter screen is plugged.</p>	<p>A. Turn ON the supply stops.</p> <p>B. Check the power supply and connection.</p> <p>C. Remove the object.</p> <p>D. Wipe the sensor lens with a damp soft cloth. Wipe dry with a dry soft cloth.</p> <p>E. Remove and clean the filter screen.</p>
2. Low flow.	<p>A. Supply pressure is low.</p> <p>B. The aerator is plugged.</p> <p>C. The filter screen is plugged.</p>	<p>A. Check incoming water pressure. Pressure should be at least 20 psi (137 kPa).</p> <p>B. Remove and clean the aerator. For calcium/mineral deposits, soak the aerator plastic insert in a 50:50 mixture of vinegar and water. Soak only the insert and no other components.</p> <p>C. Remove and clean the filter screen.</p>
3. Constant water flow.	<p>A. Solenoid valve is not working.</p>	<p>A. Order and install a new solenoid valve assembly.</p>
4. Constant steady drip from the faucet.	<p>A. The solenoid valve diaphragm is damaged.</p>	<p>A. Order and install a new solenoid valve diaphragm.</p>

Symptoms	Probable Cause	Recommended Action
5. Intermittent activation.	<p>A. The faucet is angled incorrectly to the deck or misaligned with the user area.</p> <p>B. The wires are pinched or damaged.</p>	<p>A. Verify that the faucet is mounted according to the installation directions. Verify that the faucet is installed in a position that is above the rim of the sink.</p> <p>B. Remove the spout and verify that the wires are tucked inside the spout before reassembling.</p>
6. The sensor flashes once approximately every 2 seconds.	<p>A. The AC connection is not installed correctly.</p>	<p>A. Reconnect the AC transformer connection.</p>

Compliance

This device complies with Part 15 of the FCC Rules. Operation is subject to the following two conditions: (1) this device may not cause harmful interference, and (2) this device must accept any interference received, including interference that may cause undesired operation.

Changes or modifications not expressly approved by the party responsible for compliance could void the user’s authority to operate the equipment.

This equipment has been tested and found to comply with the limits for a Class B digital device, pursuant to Part 15 of the FCC Rules. These limits are designed to provide reasonable protection against harmful interference in a residential installation. This equipment generates, uses, and can radiate radio frequency energy and, if not installed and used in accordance with the instructions, may cause harmful interference to radio communications. However, there is no guarantee that interference will not occur in a particular installation. If this equipment does cause harmful interference to radio or television reception, which can be determined by turning the equipment off and on, the user is encouraged to try to correct the interference by one of the following measures:

- Reorient or relocate the receiving antenna.
- Increase the separation between the equipment and receiver.

- Connect the equipment into an outlet on a circuit different from that to which the receiver is connected.
- Consult the dealer or an experienced radio/TV technician for help.

This Class B digital apparatus complies with Canadian ICES-003.

Instructions d'installation

Robinet de lavabo électronique

F
R

Merci d'avoir choisi KOHLER

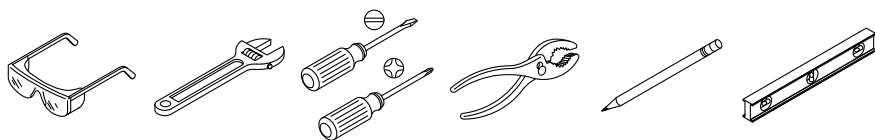
Besoin d'aide? Appeler notre centre de services à la clientèle.

- USA/Canada : 1-800-4KOHLER (1-800-456-4537) Mexique : 001-800-456-4537
- **Pièces d'entretien** : kohler.com/serviceparts
- **Entretien et nettoyage** : kohler.com/clean
- **Brevets** : kohlercompany.com/patents

Garantie

Ce produit est couvert sous la **garantie limitée d'un an KOHLER®**, fournie sur le site kohler.com/warranty. Pour obtenir une copie imprimée des termes de la garantie, s'adresser au centre de services à la clientèle.

Outils



Mastic de plombier Ruban d'étanchéité Mèche de 1/8 po



Mèche pour trous de 1-1/4 po à 1-1/2 po Robinet d'arrêt d'alimentation de 3/8 po

Avant de commencer



AVERTISSEMENT : Lors de l'utilisation de produits électriques, toujours observer les mesures de précaution de base, dont les suivantes :



DANGER : Risque de choc électrique. Uniquement connecter à un circuit protégé par un disjoncteur de fuite de terre (GFCI)*.



AVERTISSEMENT : Risque de choc électrique. Une mise à la terre est requise. Un électricien qualifié doit effectuer toutes les connexions électriques.



AVERTISSEMENT : Risque de choc électrique. Débrancher l'alimentation électrique avant un entretien.



AVERTISSEMENT : Risque de blessures ou de dommages matériels. Lire toutes les instructions avec attention avant de commencer l'installation.



ATTENTION : Risque de contamination de l'eau douce. Ce robinet comprend une protection contre le siphonnement à rebours. Afin d'éviter une contamination d'eau, ne pas retirer des composants internes.



ATTENTION : Risque d'endommagement du produit. Ce produit contient des composants électroniques sensibles. Ne pas stocker des récipients de produits chimiques ou de nettoyage ouverts à proximité de ce produit. Les chiffons ou éponges de nettoyage doivent être rincés avec de l'eau douce avant le stockage.

*Hors de l'Amérique du Nord, ce dispositif peut être connu sous le nom de dispositif à courant résiduel (RCD).

Fournir une prise électrique continue de 120 V c.a. non commutée placée sous le lavabo à 5 pi (1,5 m) du boîtier de commande.

Respecter tous les codes de plomberie et du bâtiment locaux.

Couper les alimentations en eau.

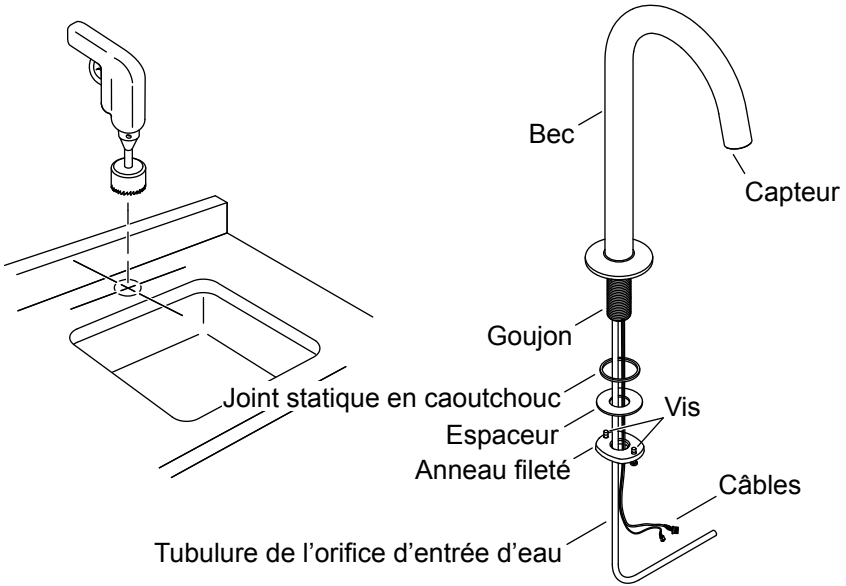
Ce robinet est destiné à un lavabo de salle de bains à un seul trou.

Pour de nouvelles installations, installer le robinet et le drain sur le lavabo avant d'installer ce dernier.

Le robinet illustré dans ce guide pourrait être différent du produit réel. Les étapes d'installation s'appliquent tout de même.

Pour une installation avec un robinet mélangeur, deux tuyaux d'alimentation à compression de 3/8 po sont requis.

1. Installer le robinet



REMARQUE : Avant de percer le trou de fixation, utiliser les dimensions ci-dessous pour un positionnement correct :

Exigences en matière de dimensions

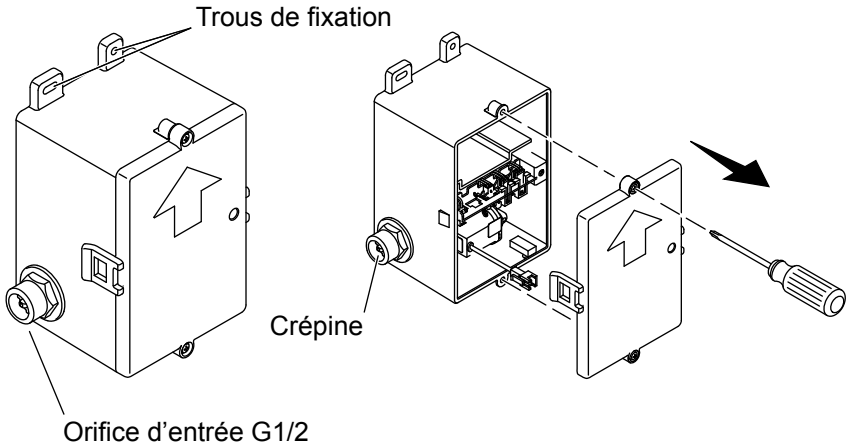
- Trou de fixation :** diamètre de 1-1/4 po (32 mm) minimum à 1-1/2 po (38 mm) maximum.
- Bec jusqu'au mur :** distance minimum de 1-3/4 po (44 mm) entre l'arrière du bec et le mur.
- Bec jusqu'au lavabo :** distance maximum de 1-1/8 po (29 mm) entre la base du bec et le bord de la cuvette du lavabo.

Installer le robinet

- Déterminer l'emplacement du trou de fixation.
- Percer un trou à travers la surface de fixation conformément aux instructions du fabricant de la surface.

- Installer le joint torique en caoutchouc dans la rainure dans le dessous de la rosace.
- Insérer le robinet, la tubulure de l'orifice d'entrée d'eau et les câbles à travers le trou de fixation.
- Enfiler partiellement les vis dans l'anneau fileté jusqu'à ce qu'elles se prolongent de 1/4 po (6 mm) vers l'extérieur du côté opposé.
- À partir du dessous du lavabo, installer l'espaceur et l'anneau fileté sur le bec.
- Placer les vis sur l'avant et l'arrière. Serrer les vis.

2. Installer le boîtier de commande

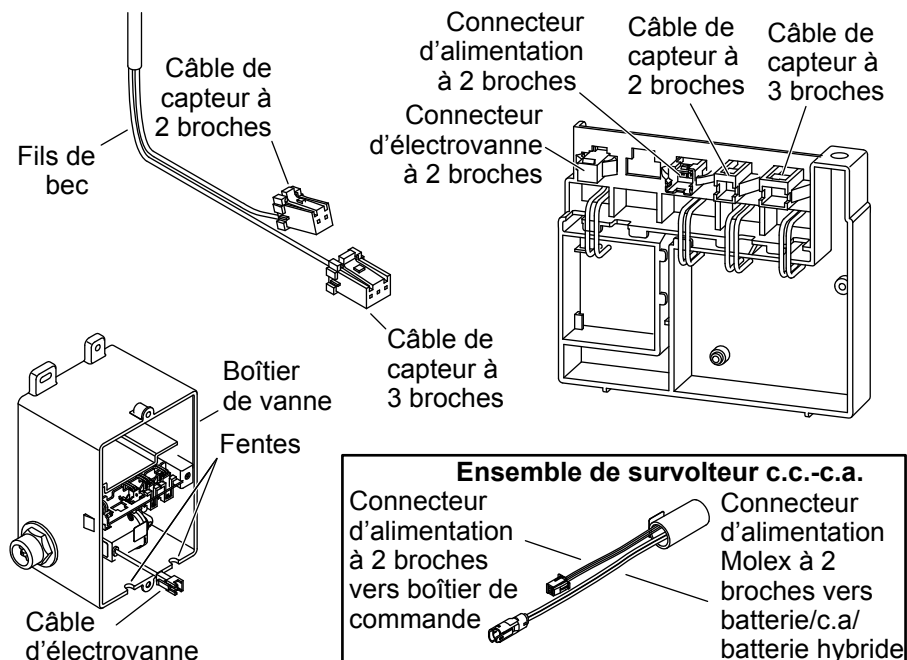


REMARQUE : Vérifier que le tuyau flexible peut être connecté au robinet d'arrêt d'alimentation et à l'orifice d'entrée du boîtier de commande avant d'attacher le boîtier de commande sur le mur.

REMARQUE : Consulter la fiche de spécifications pour déterminer l'emplacement d'installation du boîtier de commande.

- Positionner le boîtier de commande sous la plateforme et marquer les emplacements pour les trous de fixation.
- Vérifier que le câble du capteur se trouve sous le comptoir.
- Percer des avant-trous de 1/8 po (3 mm).
- Utiliser les chevilles d'ancrage mural standard (fournies) en fonction du matériau de mur.
- Attacher le boîtier de commande sur le mur avec la flèche dirigée vers le haut. Sécuriser avec les deux vis (fournies).
- Dévisser les vis du boîtier de commande pour retirer le couvercle.

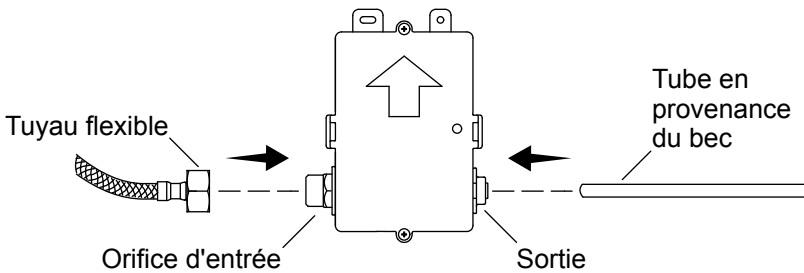
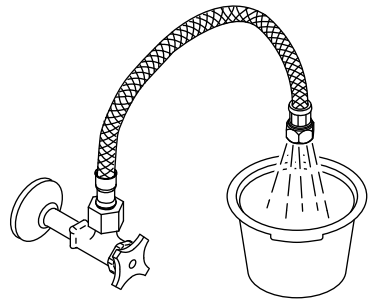
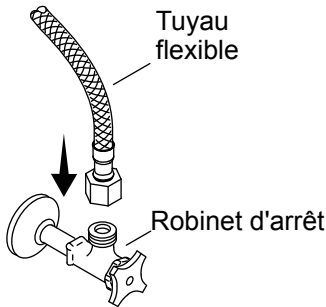
3. Connecter le boîtier de commande



IMPORTANT! Le boîtier de commande et le couvercle comprennent des fentes pour les câbles du capteur. Procéder avec soin afin d'éviter de pincer les câbles du capteur lors de l'installation du couvercle.

- Connecter le connecteur électrique à 2 broches (blanc) entre l'ensemble du survolteur c.c.-c.c. et le connecteur d'alimentation à 2 broches (blanc) du boîtier de commande.
- Connecter le câble du capteur à 3 broches entre le couvercle de la vanne et le câble du capteur à 3 broches en provenance du bec (câbles rouge, blanc et vert).
- Connecter le câble du capteur à 2 broches entre le couvercle de la vanne et le câble du capteur à 2 broches en provenance du bec (câbles orange et noir).
- Guider les câbles du capteur à travers les fentes dans le boîtier de commande.
- Sécuriser le couvercle de manière lâche sur le boîtier de commande pour un accès ultérieur.

4. Connecter les alimentations



Connexions d'entrée

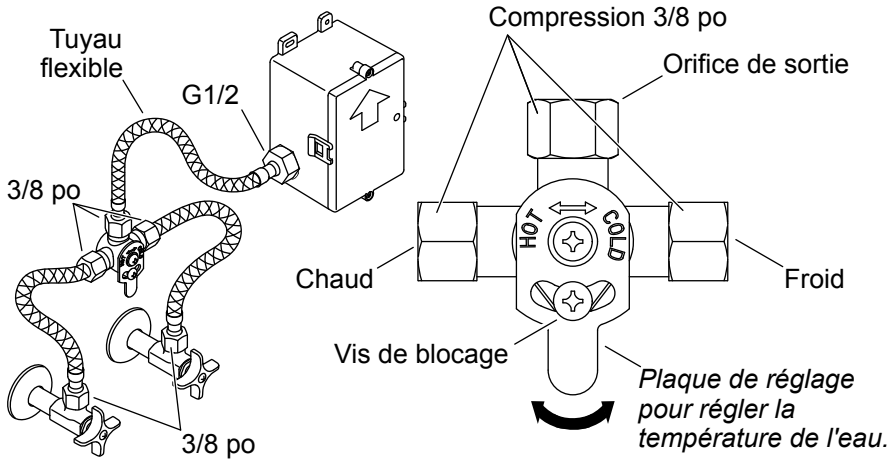
- Connecter le tuyau flexible au robinet d'arrêt.
- Poser un seau sous le robinet d'arrêt et ouvrir l'alimentation en eau.
- Ouvrir lentement le robinet d'arrêt pour purger les débris.
- Couper l'eau.
- Connecter le tuyau flexible fourni entre le robinet d'arrêt et le boîtier de commande.

Connexions de sortie

- Vérifier que la longueur du tube en provenance du bec est de la longueur appropriée pour atteindre le boîtier de commande. Couper le tube si nécessaire. Éliminer toutes les bavures et tous les bords tranchants.

- Insérer le tube dans le raccord (côté orifice de sortie du boîtier de commande) jusqu'à ce que le tube s'arrête.
- Vérifier que le tube est bien sécurisé.

5. Installer le robinet mélangeur (si inclus)

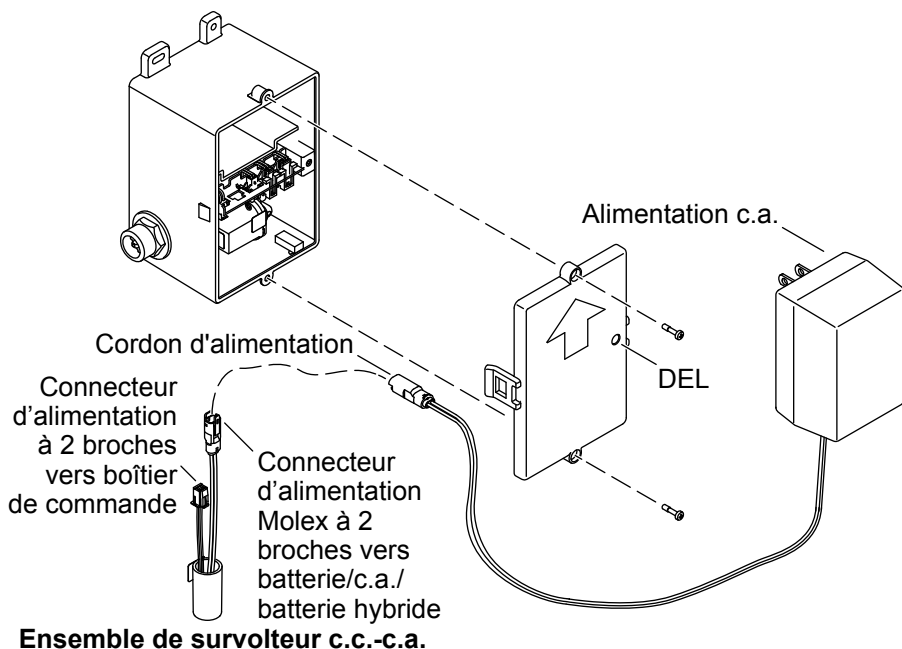


- Si un robinet mélangeur est inclus avec le produit en question, connecter les tuyaux flexibles comme sur l'illustration.
- Attacher le tuyau flexible fourni sur l'orifice d'entrée du boîtier de commande et sur l'orifice de sortie du mélangeur.
- Utiliser un raccord à compression de 3/8 po (non fourni) pour attacher l'alimentation en eau froide sur l'orifice d'entrée d'eau froide du mélangeur (indiquant cold/froid sur la plaque de réglage).
- Utiliser un raccord à compression de 3/8 po (non fourni) pour attacher l'alimentation en eau chaude sur l'orifice d'entrée d'eau chaude du mélangeur (indiquant hot/chaud sur la plaque de réglage).

Réglage de température

- Desserrer la vis de blocage sur la plaque de réglage.
- Tourner la plaque de réglage pour ajuster la température.
- Resserrer la vis de blocage.

6. Installer l'alimentation c.a. unique



IMPORTANT! S'assurer de suivre les instructions d'installation correctes du système d'alimentation en fonction du numéro du modèle en question. Pour une installation d'alimentation électrique c.a. multiprise, se reporter à la section « Installer une alimentation de sortie c.a. multiprise ». Pour une installation câblée, se reporter à la section « Installation câblée ».

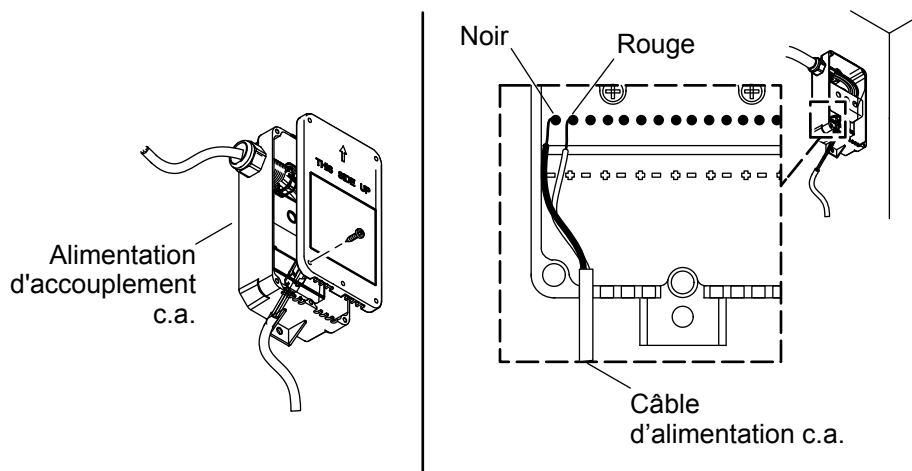
IMPORTANT! Procéder avec soin afin d'éviter de pincer le tube ou les câbles lors de l'installation du couvercle.

IMPORTANT! La zone à l'avant du capteur doit être exempte de tout objet durant le cycle d'acquisition de 2 minutes, sinon le robinet pourrait ne pas fonctionner correctement.

REMARQUE : Lorsque le robinet est connecté initialement à une source d'alimentation c.a. ou c.c., la DEL clignote pour indiquer que la plage de détection du capteur s'ajuste automatiquement.

- Dévisser les vis du boîtier de commande pour retirer le couvercle du boîtier de commande.
- Connecter les cordons d'alimentation.
- Brancher l'alimentation c.a. sur la prise murale.
- Attacher tout excédent de fil sous la plateforme.
- Sécuriser le couvercle du boîtier de commande sur le boîtier de commande.
- Attendre 2 minutes que le capteur balaye la distance de détection automatique.

7. Installer l'alimentation de sortie c.a. multiprise

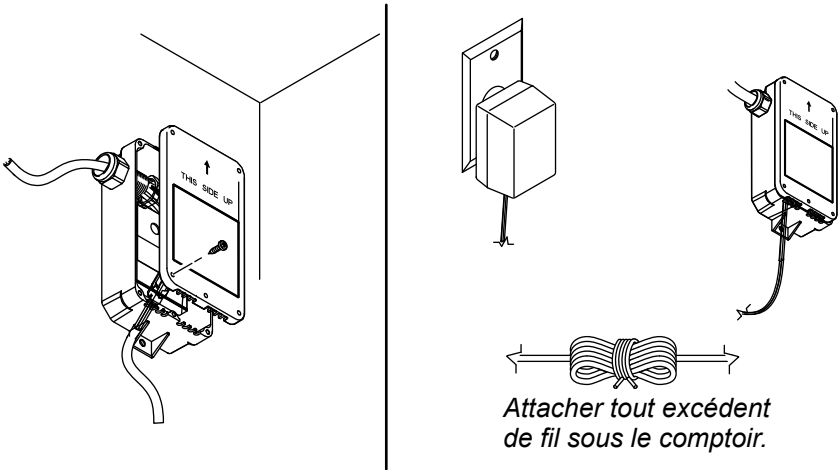


IMPORTANT! La zone à l'avant du capteur doit être exempte de tout objet durant le cycle d'acquisition de 2 minutes, sinon le robinet pourrait ne pas fonctionner correctement.

REMARQUE : Si une installation câblée est requise, se reporter à la section « Installation câblée ».

- Monter l'alimentation c.a. sous la plateforme en utilisant les deux vis fournies. Orienter comme sur l'illustration.
- Retirer le couvercle.
- Connecter le fil du robinet au robinet. Maintenir une boucle d'égouttement lors de la connexion.
- Le cas échéant, couper et dénuder les fils d'alimentation c.a. à la bonne longueur.
- Raccorder les extrémités dénudées au boîtier à bornes du boîtier d'alimentation.
- Sécuriser le couvercle du boîtier à bornes sur le boîtier à bornes.
- Brancher le cordon d'alimentation c.a. dans une prise électrique de 120 V c.a. non commutée.
- Attacher tout excédent de fil sous la plateforme.
- Attendre 2 minutes que le capteur balaye la distance de détection automatique.

8. Installation câblée



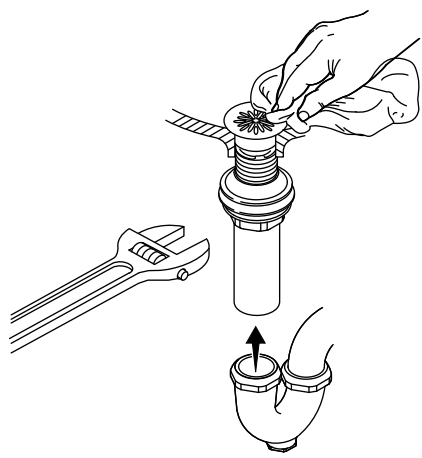
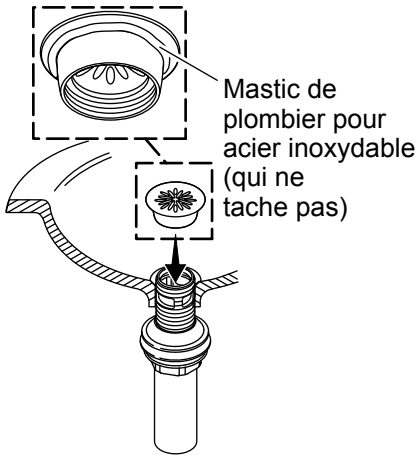
AVERTISSEMENT : Risque de choc électrique. Débrancher l'alimentation électrique avant d'exécuter les procédures suivantes.

IMPORTANT! La zone à l'avant du capteur doit être exempte de tout objet durant le cycle d'acquisition de 2 minutes, sinon le robinet pourrait ne pas fonctionner correctement.

REMARQUE : Si un câblage est requis, il sera peut-être nécessaire de remplacer le serre-câble en fonction du fil utilisé.

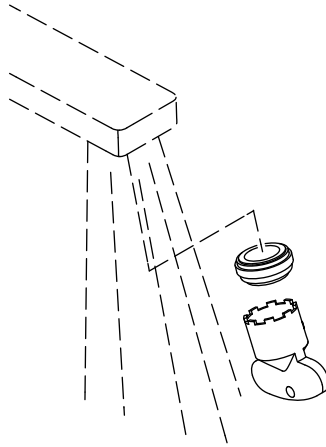
- Desserrer les vis du bornier et retirer les fils du bornier supérieur.
- Desserrer l'écrou extérieur du réducteur de tension et retirer le cordon d'alimentation.
- Insérer les fils d'alimentation à travers le serre-câble et les raccorder au bornier supérieur.
- Serrer l'écrou sur le serre-câble.
- Sécuriser le couvercle du boîtier à bornes sur le boîtier à bornes.
- Mettre l'alimentation c.a. sous tension.
- Attacher tout excédent de fil sous la plateforme.
- Attendre 2 minutes que le capteur balaye la distance de détection automatique.

9. Installer le drain



- D sassembler le drain.
- Appliquer du mastic de plombier sur le dessous de la bride et attacher.
- Appliquer du ruban d' tanch it  pour filets sur les filets du tuyau d' vacuation. Serrer l' crou.
- Connecter le siphon. Essuyer tout exc dent de mastic de plombier.

10. Effectuer l'installation



REMARQUE : Éviter la zone à l'avant du capteur pendant 2 minutes une fois que les connexions ont été effectuées. Le capteur ne fonctionnera pas correctement s'il est activé au cours des 2 premières minutes. Débrancher et reconnecter l'alimentation électrique pour réinitialiser le capteur.

- Le cas échéant, retirer le couvercle du drain.
- Couvrir temporairement le capteur sur le robinet ou fermer les alimentations en eau.
- Installer l'aérateur sur le bec en utilisant la clé fournie.
- Retirer les capteurs sur le robinet ou ouvrir les alimentations en eau.
- Activer le robinet et inspecter tous les raccords pour y rechercher des fuites éventuelles. Effectuer des ajustements au besoin.
- Faire couler l'eau à travers le bec pendant 1 minute. Rechercher des fuites éventuelles et effectuer les ajustements nécessaires.

Dépannage

Ce guide de dépannage est destiné à fournir une aide d'ordre général uniquement. Pour des problèmes ou questions concernant l'entretien et l'installation, composer le 1-800-4KOHLER.

Symptômes	Cause probable	Action recommandée
1. Pas d'écoulement d'eau.	<ul style="list-style-type: none">A. Les robinets d'arrêt d'alimentation sont fermés.B. Aucune alimentation électrique ou mauvaise connexion.C. Objet dans la zone de détection.D. La lentille du capteur est sale.E. La crépine est obstruée.	<ul style="list-style-type: none">A. Ouvrir les robinets d'arrêt d'alimentation.B. Vérifier l'alimentation et la connexion électriques.C. Retirer l'objet.D. Essuyer la lentille du capteur avec un chiffon doux et humide. Essuyer avec un chiffon doux et sec.E. Retirer et nettoyer la crépine.
2. Débit faible.	<ul style="list-style-type: none">A. La pression d'alimentation est basse.B. L'aérateur est obstrué.C. La crépine est obstruée.	<ul style="list-style-type: none">A. Vérifier la pression d'arrivée d'eau. La pression doit être d'au moins 20 psi (137 kPa).B. Retirer et nettoyer l'aérateur. Pour les dépôts de calcium/minéraux, tremper l'insert en plastique de l'aérateur dans un mélange de 50:50 d'eau et de vinaigre. Tremper l'insert seulement et aucun autre composant.C. Retirer et nettoyer la crépine.
3. Débit d'eau constant.	<ul style="list-style-type: none">A. L'électrovanne ne fonctionne pas.	<ul style="list-style-type: none">A. Commander et installer un nouvel ensemble d'électrovanne.

Symptômes	Cause probable	Action recommandée
4. Égouttement constant et régulier en provenance du robinet.	A. Le diaphragme de l'électrovanne est endommagé.	A. Commander et installer un nouveau diaphragme d'électrovanne.
5. Activation intermittente.	A. Le robinet n'est pas incliné correctement par rapport à la plateforme ou il est mal aligné par rapport à la zone d'utilisation. B. Les fils sont pincés ou endommagés.	A. Vérifier que le robinet est monté selon les instructions d'installation. Vérifier que le robinet est installé dans une position se trouvant au-dessus du rebord du lavabo. B. Retirer le bec et vérifier que les fils sont rangés à l'intérieur du bec avant de réassembler.
6. Le capteur clignote une fois toutes les 2 secondes environ.	A. La connexion c.a. n'est pas installée correctement.	A. Reconnecter la connexion du transformateur c.a.

Conformité

Ce dispositif est conforme à la section 15 des réglementations de la FCC. L'utilisation est assujettie aux deux conditions suivantes : (1) ce dispositif ne peut pas créer un brouillage nuisible, et (2) ce dispositif doit accepter tous les brouillages captés, y compris les brouillages qui pourraient créer un fonctionnement non souhaité.

Tous changements ou modifications non expressément approuvés par la partie responsable garantissant la conformité pourraient annuler le droit à l'utilisateur d'opérer cet équipement.

Cet équipement a été testé et a été considéré être conforme aux limitations pour un dispositif numérique de classe B, selon la section 15 des réglementations FCC. Ces limites sont conçues pour fournir une protection raisonnable contre tout brouillage

nuisible dans une installation résidentielle. Ce dispositif génère, utilise et peut émettre une énergie de radiofréquence et, s'il n'est pas installé et utilisé conformément aux instructions, pourrait créer des brouillages nuisibles aux communications par radio. Cependant, il n'est pas garanti qu'aucun brouillage n'aura lieu dans une installation particulière. Si cet équipement cause des brouillages radio nuisibles à la réception de radio ou de télévision, ce qui peut être déterminé en éteignant l'équipement et en le rallumant, l'utilisateur est encouragé à essayer de rectifier ce brouillage par l'un des moyens suivants :

- Réorienter ou changer l'emplacement de l'antenne de réception.
- Augmenter la séparation entre l'équipement et le récepteur.
- Brancher l'équipement sur une prise d'un circuit différent de celui auquel le récepteur est connecté.
- Consulter le concessionnaire ou un technicien radio/TV expérimenté pour obtenir de l'assistance.

Cet appareillage numérique de classe B est conforme à la norme canadienne ICES-003.

Instrucciones de instalación

Grifería electrónica de lavabo

ES

Gracias por elegir productos KOHLER

¿Necesita ayuda? Comuníquese con nuestro Centro de Atención al Cliente.

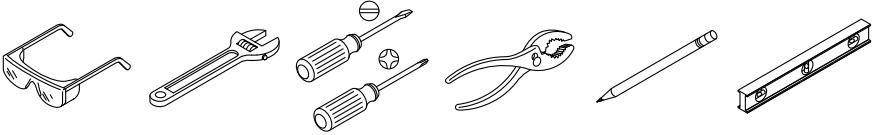
- EE. UU./Canadá: 1-800-4KOHLER (1-800-456-4537) México: 001-800-456-4537
- Piezas de repuesto: [kohler.com/serviceparts](https://www.kohler.com/serviceparts)
- Cuidado y limpieza: [kohler.com/clean](https://www.kohler.com/clean)
- Patentes: [kohlercompany.com/patents](https://www.kohlercompany.com/patents)

Garantía

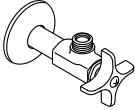
A este producto lo cubre la **garantía limitada de un año de KOHLER®**, que se puede consultar en [kohler.com/warranty](https://www.kohler.com/warranty). Si lo desea, solicite al Centro de Atención al Cliente una copia impresa de los términos de la garantía.

Herramientas

E
S










Masilla de plomería Cinta selladora Broca de 1/8 pulg



Broca de orificio de 1-1/4 a 1-1/2 pulgadas Llave de paso de suministro de 3/8 pulg

Antes de comenzar

ES

-  **AVISO: Al usar aparatos eléctricos siempre cumpla las precauciones básicas, como las siguientes:**
-  **PELIGRO: Riesgo de sacudidas eléctricas.** Solo conecte a un circuito protegido por un interruptor de circuito con pérdida a tierra (GFCI)*.
-  **AVISO: Riesgo de sacudidas eléctricas.** Se requiere conexión a tierra. Todas las conexiones eléctricas debe hacerlas un electricista capacitado.
-  **AVISO: Riesgo de sacudidas eléctricas.** Desconecte el suministro eléctrico antes de dar servicio.
-  **AVISO: Riesgo de lesiones personales o de daños a la propiedad.** Antes de comenzar la instalación, lea con atención todas las instrucciones.
-  **PRECAUCIÓN: Riesgo de contaminación del agua potable.** Esta grifería cuenta con protección contrasifonaje. Para evitar contaminar el agua, no retire ningún componente interno.
-  **PRECAUCIÓN: Riesgo de causar daños al producto.** Este producto tiene componentes electrónicos sensibles. No almacene cerca de este producto recipientes abiertos de productos químicos o de limpieza. Las esponjas y los trapos de limpieza se deben enjuagar con agua limpia antes de guardarlos.

*Fuera de Estados Unidos y Canadá es posible que este se conozca como dispositivo de corriente residual (RCD).

Asegúrese de que haya un tomacorriente no controlado por interruptor de 120 VCA bajo el lavabo, a menos de 5 pies (1,5 m) de la caja de control.

Cumpla todos los códigos locales de plomería y construcción.

Cierre los suministros de agua.

Esta grifería es para lavabos de un solo orificio.

En instalaciones nuevas, instale la grifería y el desagüe en el lavabo antes de instalar el lavabo.

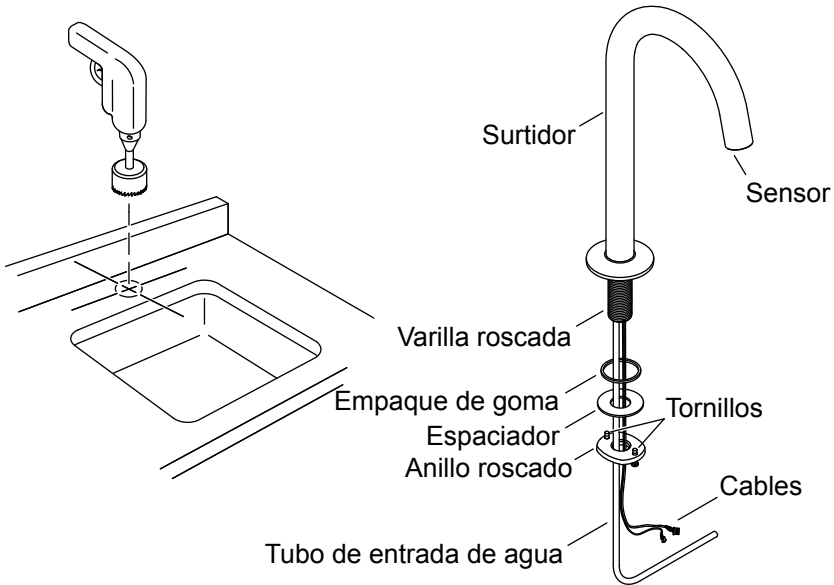
La grifería ilustrada en esta guía puede ser diferente del producto que usted haya adquirido. Los pasos de instalación siguen siendo válidos.

En instalaciones con válvula de mezclado se requieren 2 mangueras de suministro de compresión de 3/8 de pulgada.



1. Instale la grifería

ES



NOTA: Antes de taladrar el orificio de montaje, tome en cuenta las siguientes dimensiones para la colocación correcta:

Requisitos de dimensiones

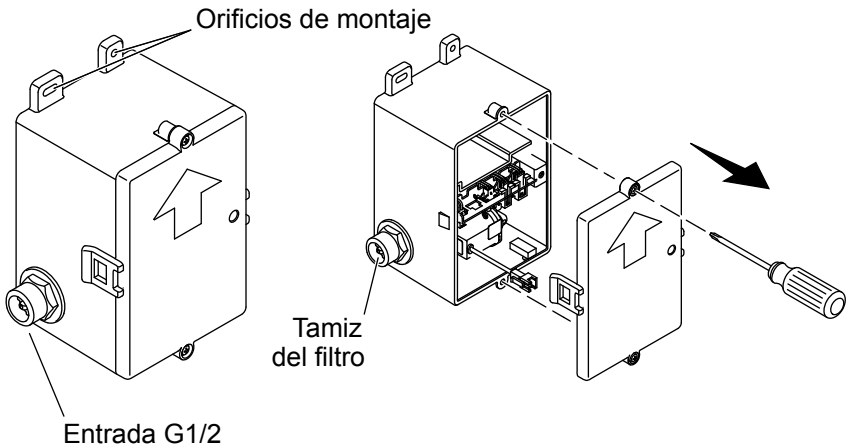
- Orificio de montaje:** diámetro mínimo de 1-1/4" (32 mm) a máximo de 1-1/2" (38 mm).
- Surtidor a pared:** distancia mínima de 1-3/4" (44 mm) entre la parte posterior del surtidor y la pared.
- Surtidor a lavabo:** distancia máxima de 1-1/8" (29 mm) entre la base del surtidor y el borde de la tarja del lavabo.

Instale la grifería

- Determine la ubicación para el orificio de montaje.
- Taladre un orificio a través de la superficie de montaje, de acuerdo a las instrucciones del fabricante de la superficie.

- Instale el empaque de goma en la ranura en la parte inferior del chapetón.
- Introduzca la grifería, la tubería de entrada de agua y los cables a través del orificio de montaje.
- Enrosque parcialmente los tornillos en el anillo roscado, hasta que sobresalgan 1/4" (6 mm) por el lado opuesto.
- Desde abajo del lavabo, instale el espaciador y el anillo roscado en el surtidor.
- Los tornillos deben quedar enfrente y atrás. Apriete los tornillos.

2. Instale la caja de control

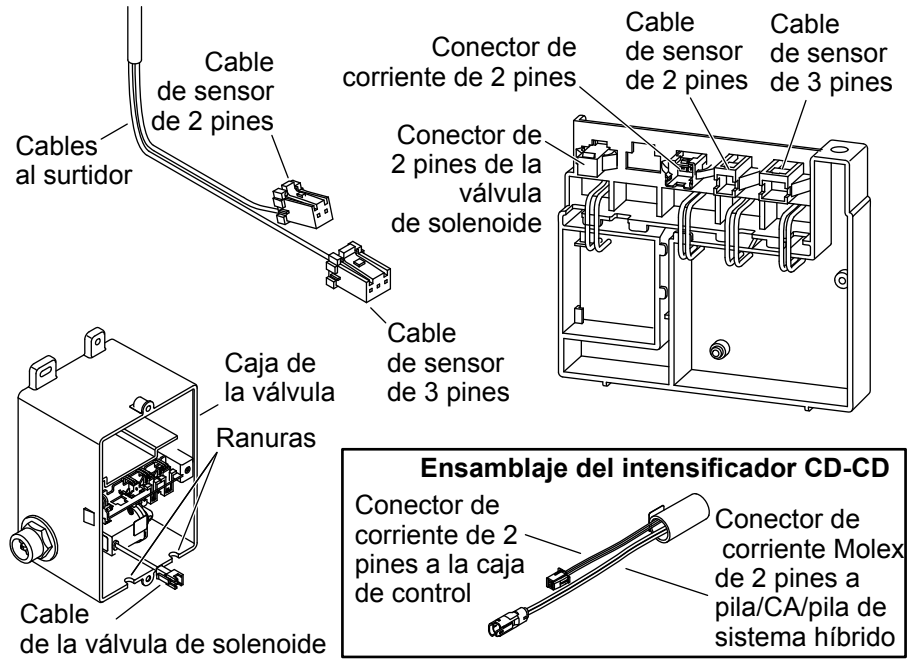


NOTA: Antes de conectar la caja de control a la pared, verifique que la manguera flexible pueda ser conectada a la llave de paso de suministro y a la entrada de la caja de control.

NOTA: Consulte la hoja de especificaciones para determinar el lugar de instalación de la caja de control.

- Coloque la caja de control abajo de la cubierta, y marque los lugares para los orificios de montaje.
- Verifique que el cable de sensor quede abajo de la encimera.
- Taladre orificios guía de 1/8" (3 mm).
- Use los anclajes estándar de pared (se incluyen) de acuerdo al material de la pared.
- Fije la caja de control a la pared con la flecha apuntando hacia arriba. Fije con los 2 tornillos (se incluyen).
- Saque los tornillos de la caja de control para quitar la cubierta.

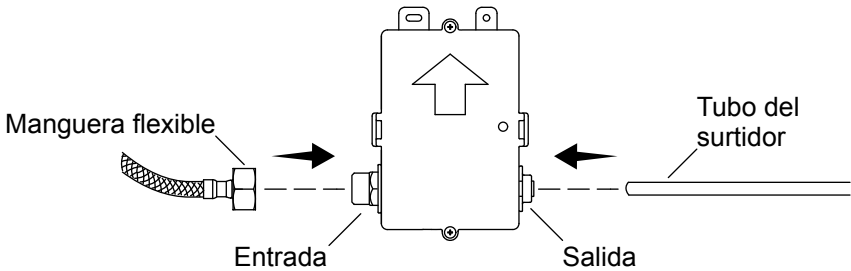
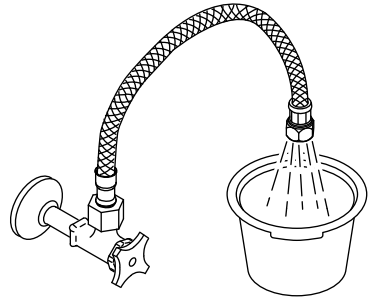
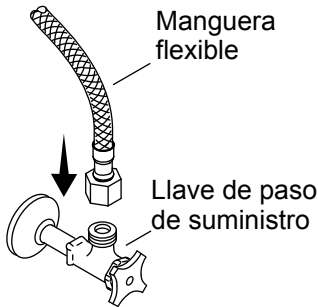
3. Conecte la caja de control



¡IMPORTANTE! La cubierta de la caja de control y la caja de control tienen ranuras para los cables de los sensores. Al instalar la cubierta, tenga cuidado de no pellizcar los cables de sensores.

- Conecte el conector de potencia de 2 pines (blanco) del ensamblaje del intensificador CD-CD al conector de potencia de 2 pines (blanco) de la caja de control.
- Conecte el cable de sensor de 3 pines de la cubierta de la válvula al cable de sensor de 3 pines del surtidor (cables rojo, blanco y verde).
- Conecte el cable de sensor de 2 pines de la cubierta de la válvula al cable de sensor de 2 pines del surtidor (cables naranja y negro).
- Tienda los cables de sensores a través de las ranuras en la caja de control.
- Fije, sin apretar, la cubierta a la caja de control para acceso futuro.

4. Conecte las líneas de suministro



Conexiones de entrada

- Conecte la manguera flexible a la llave de paso de suministro.
- Coloque un recipiente bajo la llave de paso de suministro, y abra el suministro de agua.
- Abra despacio la llave de paso de suministro para descargar los desperdicios.
- Cierre el agua.
- Conecte la manguera flexible que se incluye de la llave de paso de suministro a la caja de control.

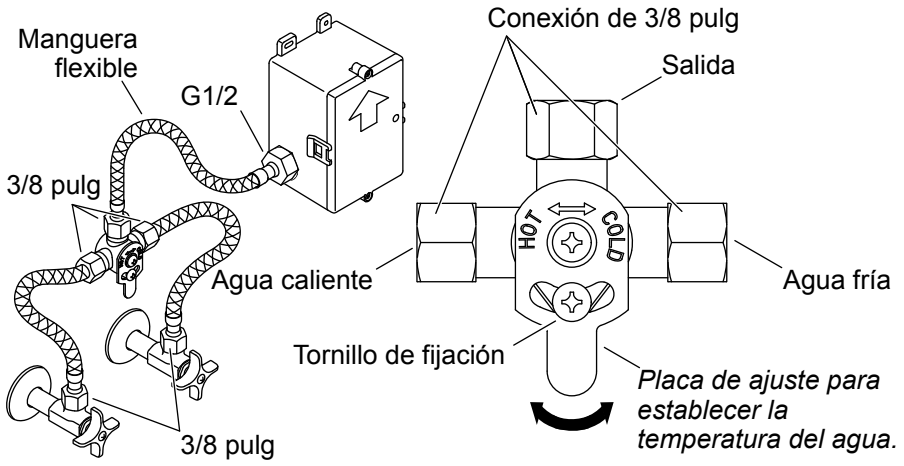
Conexiones de salida

- Verifique que el tubo del surtidor sea de la longitud adecuada para que llegue hasta la caja de control. De ser necesario, recorte el tubo. Retire las rebabas y los bordes filosos.

- Introduzca el tubo en el conector (extremo de salida de la caja de control) hasta que el tubo llegue a tope.
- Verifique que el tubo quede fijo.

5. Instale la válvula mezcladora (si se incluye)

ES

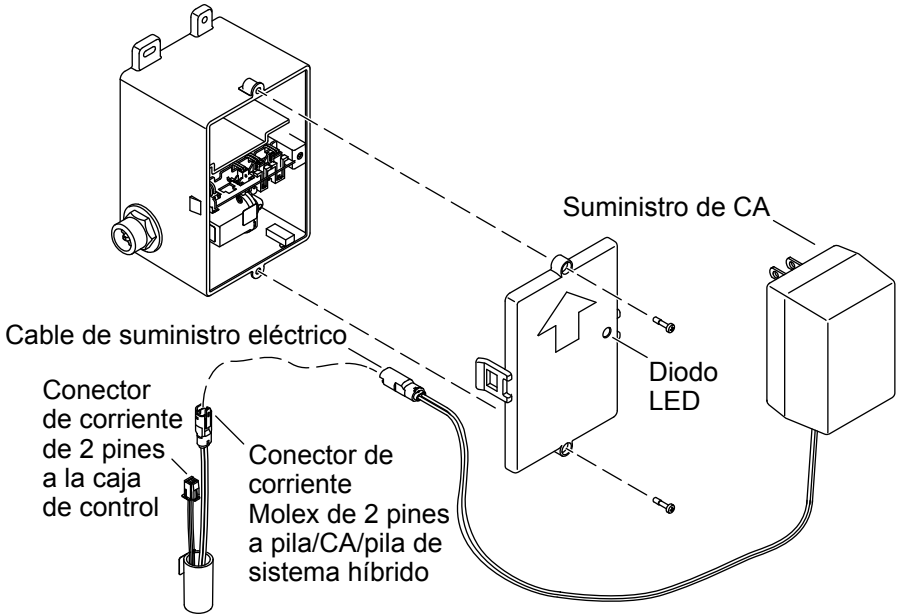


- Si la válvula mezcladora está incluida con su producto, conecte las mangueras flexibles como se indica.
- Conecte la manguera flexible, que se incluye, a la entrada de la caja de control y a la salida de la válvula mezcladora.
- Con una conexión de compresión de 3/8 plg (no se incluye), conecte el suministro de agua fría a la entrada de agua fría en la válvula mezcladora (marcada con la palabra COLD en la placa de ajuste).
- Con una conexión de compresión de 3/8 plg (no se incluye), conecte el suministro de agua caliente al extremo de entrada de agua caliente en la válvula mezcladora (marcada con la palabra HOT en la placa de ajuste).

Ajuste de temperatura

- Afloje el tornillo de fijación en la placa de ajuste.
- Gire la placa de ajuste para ajustar la temperatura.
- Vuelva a apretar el tornillo de fijación.

6. Instale un suministro sencillo de CA



Ensamblaje del intensificador CD-CD

¡IMPORTANTE! Asegúrese de seguir la instalación correcta del sistema de suministro eléctrico, de acuerdo a su número de modelo. En una instalación de una unidad de suministro de CA de múltiples salidas, consulte "Instale una fuente de suministro múltiple de CA". En una instalación de cableado directo, consulte "Instalación de cableado directo".

¡IMPORTANTE! Al instalar la cubierta, tenga cuidado de no pellizcar el tubo ni los cables.

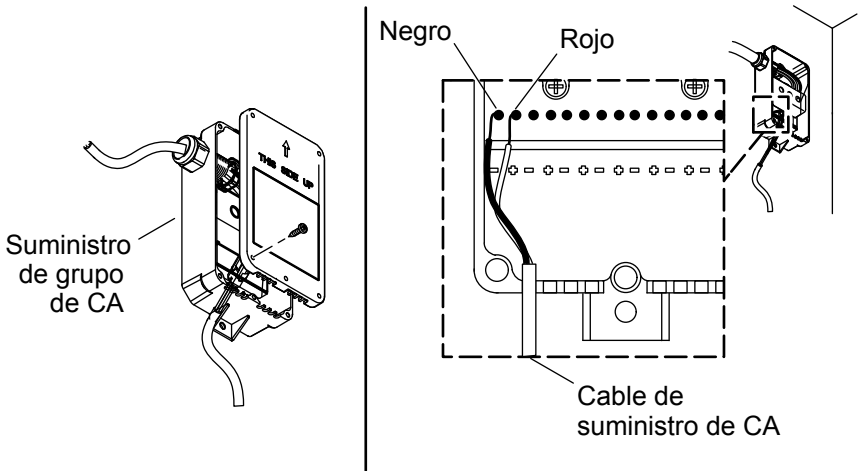
¡IMPORTANTE! No debe haber nada frente al sensor durante el ciclo de aprendizaje de 2 minutos, de lo contrario la grifería no funcionará correctamente.

NOTA: Cuando la grifería se conecta inicialmente a una fuente de CA o de CD, el diodo LED parpadea para indicar que el rango de detección del sensor se está ajustando automáticamente.

- Saque los tornillos de la caja de control para quitar la cubierta.
- Conecte los cables de suministro eléctrico.

- Enchufe el suministro de CA al tomacorriente de pared.
- Guarde el exceso de cable bajo la cubierta.
- Fije la cubierta de la caja de control a la caja de control.
- Espere 2 minutos para que el sensor cicle a través de la distancia de detección automática.

7. Instale la fuente de suministro múltiple de CA



E
S

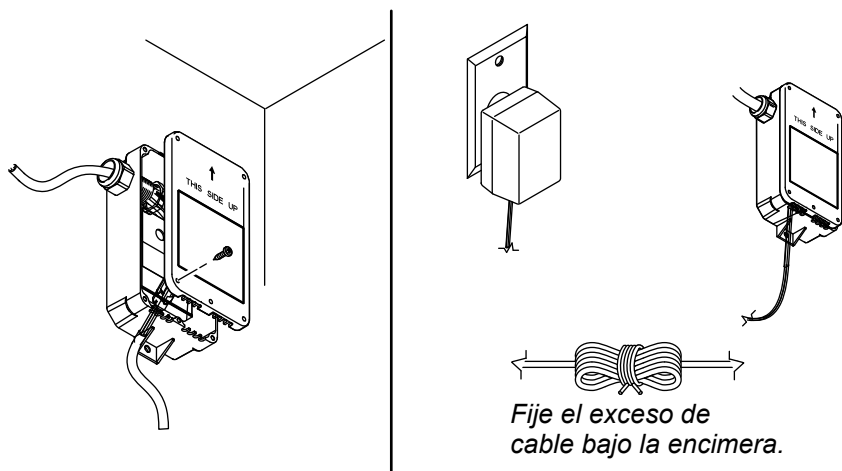
¡IMPORTANTE! No debe haber nada frente al sensor durante el ciclo de aprendizaje de 2 minutos, de lo contrario la grifería no funcionará correctamente.

NOTA: Si se requiere una instalación de cableado directo, consulte "Instalación de cableado directo".

- Instale el suministro de CA bajo la cubierta con los 2 tornillos que se incluyen. Oriente como se muestra.
- Retire la cubierta.
- Conecte el cable de la grifería a la grifería. Mantenga un lazo de goteo al hacer la conexión.
- De ser necesario, corte y pele los cables de la fuente de suministro de CA a la longitud deseada.
- Conecte los extremos pelados al bloque de terminales inferior en la caja de la fuente de alimentación.
- Fije la cubierta de la caja de terminales a la caja de terminales.
- Enchufe el suministro de CA a un tomacorriente no conmutado de 120 VCA.
- Guarde el exceso de cable bajo la cubierta.
- Espere 2 minutos para que el sensor cicle a través de la distancia de detección automática.

8. Instalación de cableado directo

ES



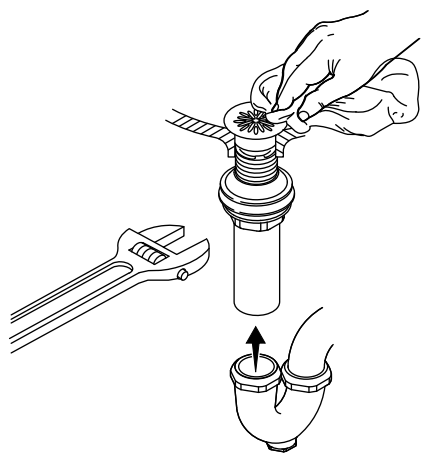
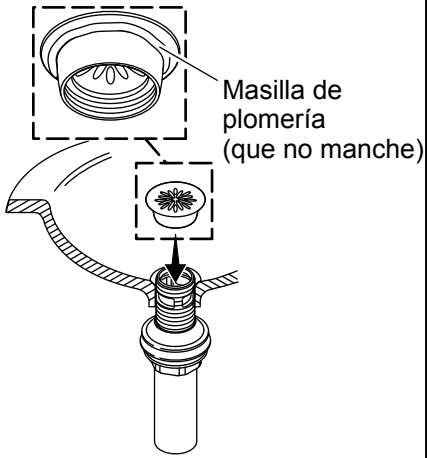
⚠ AVISO: Riesgo de sacudidas eléctricas. Desconecte el suministro eléctrico antes de realizar los siguientes procedimientos.

¡IMPORTANTE! No debe haber nada frente al sensor durante el ciclo de aprendizaje de 2 minutos, de lo contrario la grifería no funcionará correctamente.

NOTA: Si se requiere una instalación de cableado directo, es posible que sea necesario cambiar el protector contra tirones de acuerdo al cable que se utilice.

- Afloje los tornillos del bloque de terminales y retire los cables del bloque de terminales superior.
- Afloje la tuerca externa del protector contra tirones y retire el cable eléctrico.
- Introduzca los cables de la fuente de suministro a través del protector contra tirones, y conéctelos al bloque de terminales superior.
- Apriete la tuerca del protector contra tirones.
- Fije la cubierta de la caja de terminales a la caja de terminales.
- Encienda la fuente de suministro de CA.
- Guarde el exceso de cable bajo la cubierta.
- Espere 2 minutos para que el sensor cicle a través de la distancia de detección automática.

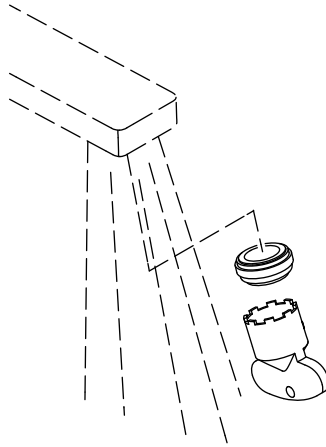
9. Instale el desagüe



- Desensamble el desagüe.
- Aplique masilla de plomería a la cara inferior de la brida, y una.
- Aplique cinta selladora de roscas a las roscas del tubo del desagüe. Apriete la tuerca.
- Conecte la boca de sifón. Limpie el exceso de masilla de plomería.

10. Complete la instalación

ES



NOTA: Evite el área frente al sensor durante 2 minutos después de terminar de hacer las conexiones. El sensor no funciona correctamente si es activado durante los 2 primeros minutos. Desconecte y vuelva a conectar el suministro eléctrico para restablecer el sensor.

- Si aplica, retire la tapa del desagüe.
- Tape provisionalmente el sensor en la grifería o cierre los suministros de agua.
- Con la llave que se incluye, instale el aireador al surtidor.
- Destape los sensores de las griferías o abra los suministros de agua.
- Instale la grifería y revise todas las conexiones para verificar que no haya fugas. Haga los ajustes necesarios.
- Deje correr agua por el surtidor durante 1 minuto. Revise que no haya fugas, y haga los ajustes necesarios.

Resolución de problemas

Esta guía de resolución de problemas está diseñada únicamente como ayuda general. Si tiene preguntas acerca de servicio e instalación, llame al 1-800-4KOHLER.

Síntomas	Causa probable	Acción recomendada
1. No hay flujo de agua.	<p>A. Las llaves de paso de suministro están cerradas.</p> <p>B. No hay suministro eléctrico, o hay conexiones mal hechas.</p> <p>C. Hay algún objeto en el rango del sensor.</p> <p>D. La lente del sensor está sucia.</p> <p>E. El tamiz de filtro está tapado.</p>	<p>A. Abra las llaves de paso de suministro.</p> <p>B. Revise el suministro eléctrico y la conexión.</p> <p>C. Retire el objeto.</p> <p>D. Limpie las lentes sensoras con un paño húmedo y suave. Seque con un paño seco y suave.</p> <p>E. Saque y limpie el tamiz de filtro.</p>
2. Flujo bajo.	<p>A. La presión del suministro es baja.</p> <p>B. El aireador está tapado.</p> <p>C. El tamiz de filtro está tapado.</p>	<p>A. Verifique la presión del suministro de agua. La presión debe ser por lo menos 20 psi (137 kPa).</p> <p>B. Retire y limpie el aireador. Para eliminar depósitos calcáreos o minerales, remoje el inserto de plástico del aireador en una solución a partes iguales de agua y vinagre. Remoje solamente el inserto, no remoje ningún otro componente.</p> <p>C. Saque y limpie el tamiz de filtro.</p>
3. Flujo de agua constante.	<p>A. La válvula de solenoide no está funcionando.</p>	<p>A. Pida e instale una válvula de solenoide nueva.</p>

Síntomas	Causa probable	Acción recomendada
4. Goteo constante de la grifería.	A. El diafragma de la válvula de solenoide está dañado.	A. Pida e instale un diafragma de válvula de solenoide nuevo.
5. Activación intermitente	A. La grifería se ha instalado a la cubierta a un ángulo incorrecto, o está desalineada con respecto al área del usuario. B. Los cables están pellizcados o dañados.	A. Verifique que la grifería esté instalada de acuerdo a las instrucciones de instalación. Asegúrese de que la grifería quede instalada en una posición arriba del reborde del lavabo. B. Desmunte el surtidor y verifique que los cables estén dentro del surtidor antes de volver a ensamblarlo.
6. El sensor parpadea una vez aproximadamente cada 2 segundos.	A. La conexión de CA no está bien hecha.	A. Vuelva a conectar el transformador de CA.

Conformidad

Este dispositivo cumple lo establecido en la sección 15 de las normas de la FCC. Su funcionamiento está sujeto a las siguientes 2 condiciones: (1) que este dispositivo no cause interferencia perjudicial y (2) que acepte cualquier interferencia, incluida la que pueda causar funcionamiento no deseado.

Cualquier modificación o cambio sin aprobación expresa de la parte responsable del cumplimiento podría invalidar el derecho del usuario a utilizar el equipo.

Este equipo ha sido probado, y se ha encontrado que satisface los límites de un aparato digital Clase B, de acuerdo a la sección 15 de las normas de la FCC. Estos límites están diseñados para ofrecer protección razonable contra interferencia perjudicial en una instalación residencial. Este equipo genera, usa y puede radiar energía de radiofrecuencia y, si no se instala y utiliza en cumplimiento de las instrucciones, puede causar interferencia perjudicial a las comunicaciones de radio. Sin embargo, no se garantiza que la interferencia no pudiera ocurrir en una

instalación en particular. Si este equipo causa interferencia perjudicial a la recepción de radio o televisión, lo que se puede determinar al encender y apagar el equipo, se le recomienda al usuario que trate de corregir la interferencia mediante una de las siguientes medidas:

- Cambiar la orientación o el lugar de la antena receptora.
- Aumentar la separación entre el equipo y el receptor.
- Conectar el equipo a un tomacorriente en un circuito diferente al que utiliza el receptor.
- Consultar al distribuidor o a un técnico con experiencia en radio y televisión, para obtener ayuda.

Este aparato digital Clase B cumple la norma canadiense ICES-003.

[kohler.com](https://www.kohler.com)

THE BOLD LOOK
OF **KOHLER**®

©2023 Kohler Co.



1562297-2

1562297-2-A