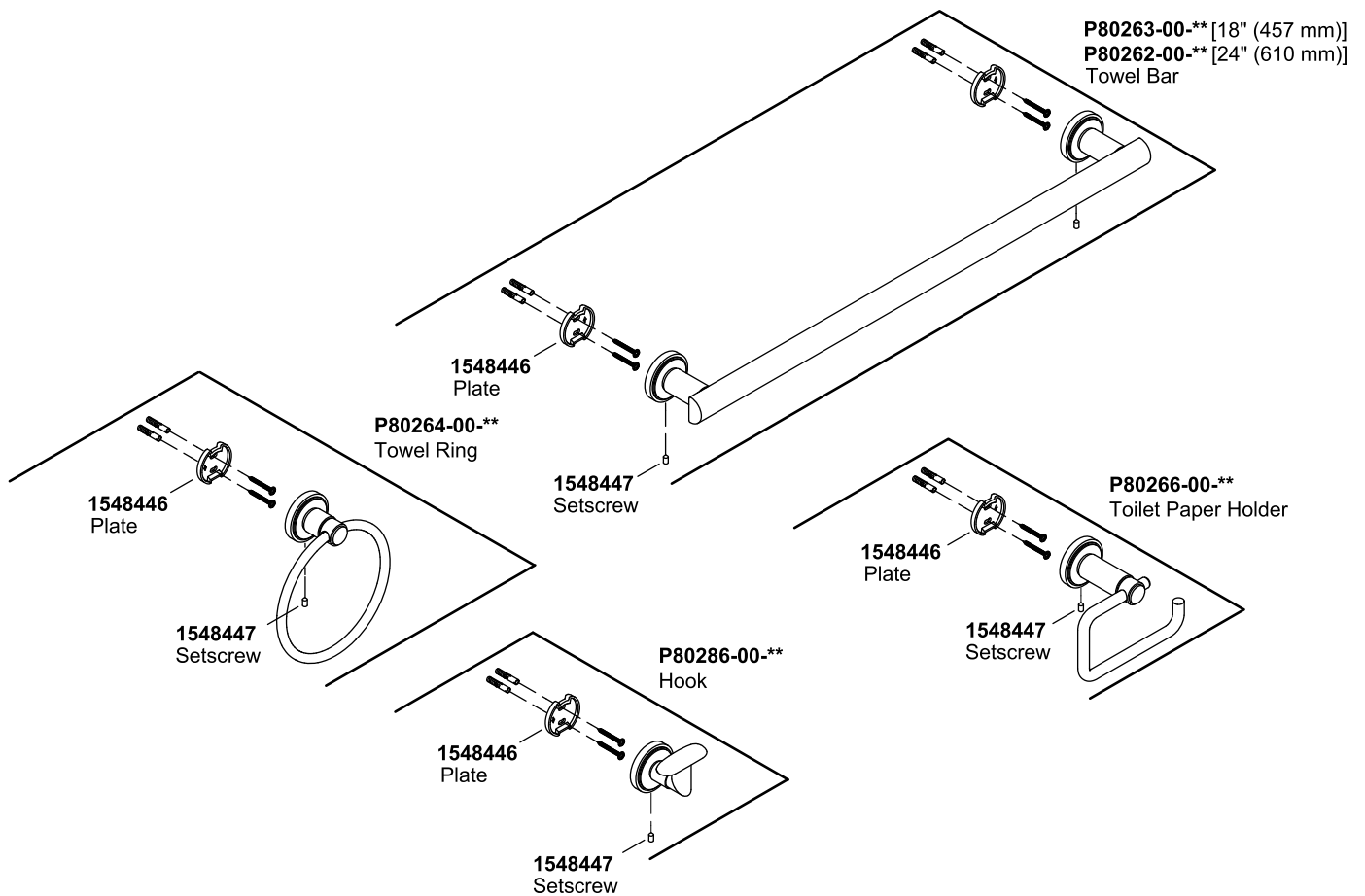
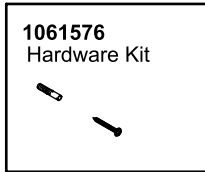


### Service Parts

P80262  
P80263  
P80264  
P80266  
P80286



\*\*Finish/color code must be specified when ordering.

We reserve the right to make revisions without notice in the design of products or in packaging unless this right has specifically been waived at the time the order is accepted.