

Installation Instructions

Sliding Shower Door

Record your model number:
Noter le numéro de modèle:
Anoté su número de modelo: _____

Français, page 37
Español, página 73

KOHLER[®]

Thank You for Choosing KOHLER

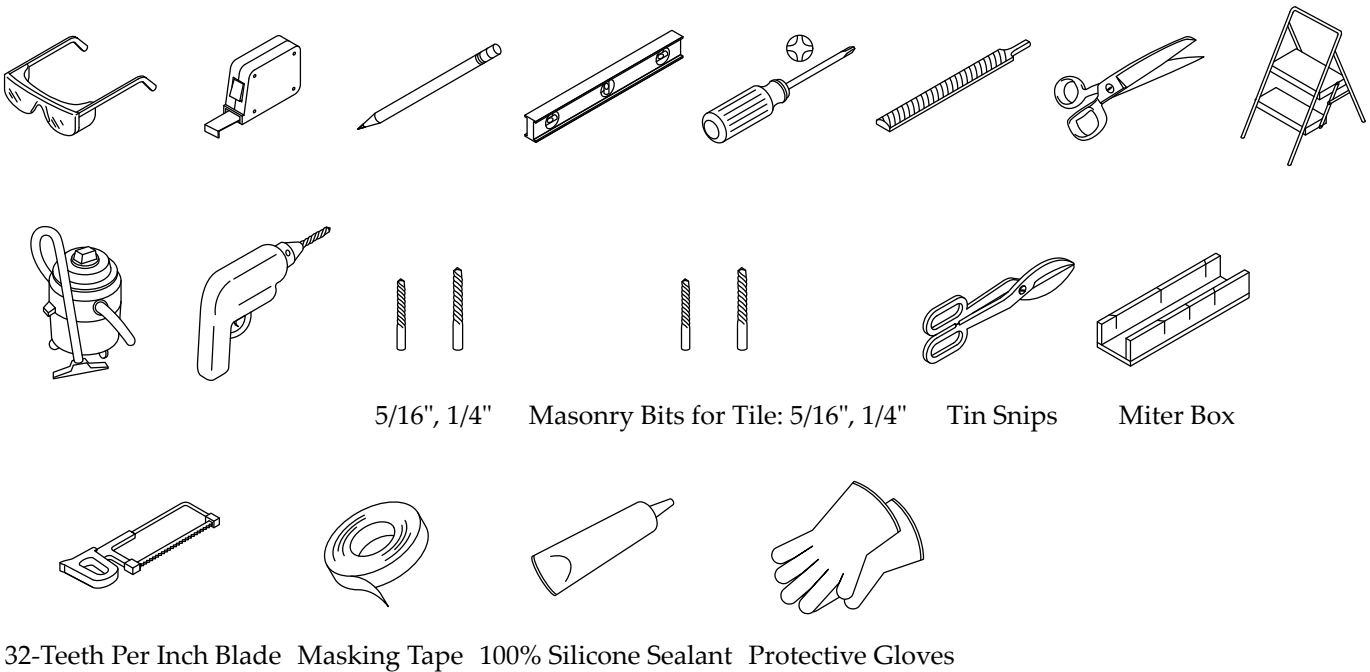
Need help? Contact our Customer Care Center.

- USA/Canada: 1-800-4KOHLER (1-800-456-4537) Mexico: 001-800-456-4537
- Service parts: kohler.com/serviceparts
- Care and cleaning: kohler.com/clean
- Patents: kohlercompany.com/patents

Warranty

This product is covered under the **KOHLER® Bath and Shower Doors Ten-Year Limited Warranty**, found at kohler.com/warranty. For a hardcopy of warranty terms, contact the Customer Care Center.








Tools and Materials



Plus:

- Metal-Cutting Chop Saw or Cut-Off Saw
- Spray Bottle

Before You Begin

-  **WARNING: Risk of serious injury.** Damage before installation can result in glass shattering. Inspect the glass and all parts for damage before installation.
-  **WARNING: Risk of serious injury.** Improper installation can result in glass shattering. Follow all installation instructions.
-  **WARNING: Risk of serious injury.** Do not cut tempered glass. Tempered glass will shatter if cut.
-  **WARNING: Risk of serious injury.** Shower door panels can shatter. Regularly inspect the glass and all parts for damage, missing, or loose parts.
-  **WARNING: Risk of serious injury.** Always wear safety glasses while cutting and drilling.
-  **CAUTION: Risk of personal injury.** Tempered glass should not contact hard surfaces or the glass may shatter. Do not touch the edge of the tempered glass panel with tools or any hard objects.
-  **CAUTION: Risk of personal injury.** Tempered glass may shatter. Wear long sleeves and protective clothing to prevent injury in the event of shattered glass.

IMPORTANT! Leave this manual for the end user. Read all instructions before installing or using this product.

IMPORTANT! This door is designed to accommodate walls that are up to 3/8" (10 mm) out of plumb. Verify that the area that the door will be attached to is within 3/8" (10 mm) of plumb. The door may not function properly if the wall is more than 3/8" (10 mm) out of plumb.

IMPORTANT! Do not install this door on a cast iron shower base.

IMPORTANT! Do not remove the corner protectors from the door panels until the door panels are installed.

NOTE: The handle may appear different than the one shown. The installation steps remain the same.

Cover the drain with tape to prevent the loss of small parts.

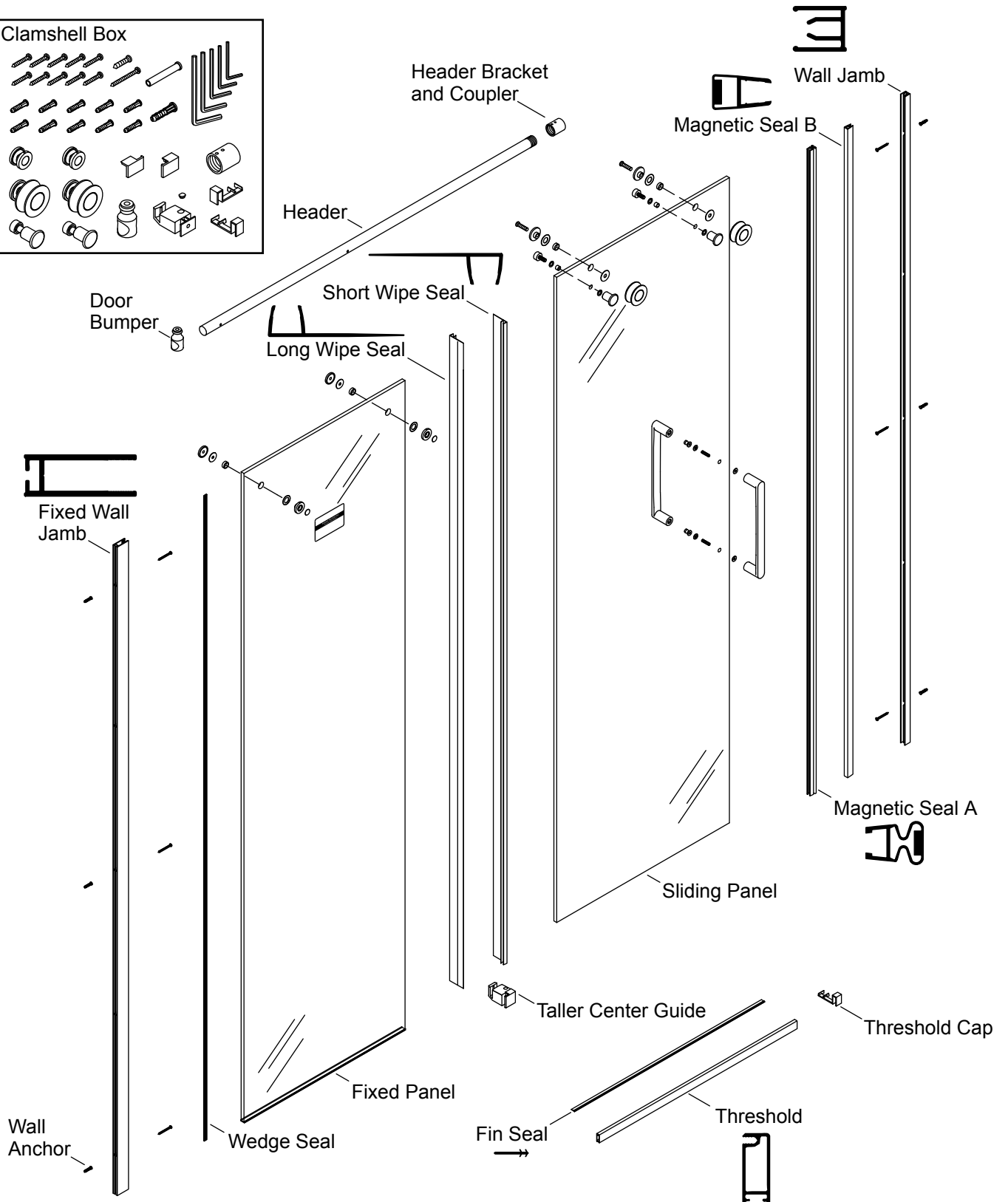
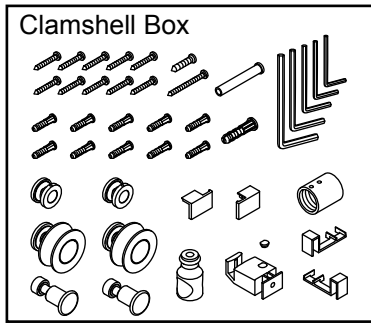
Identify all parts before installation. Inspect for damage.

Follow the silicone sealant manufacturer's instructions for application and curing time.

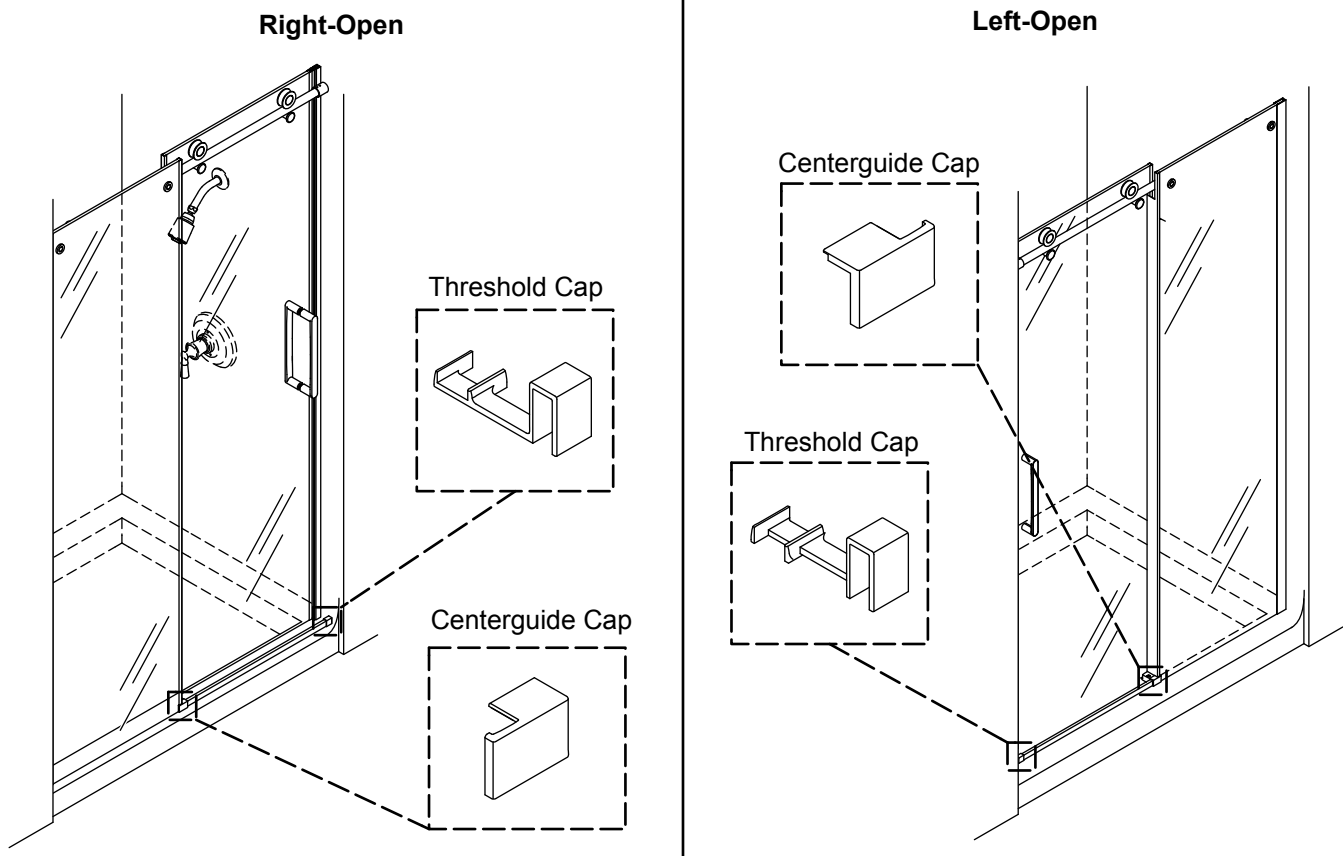
Two people should perform this installation.

The fixed panel should be installed on the opposite side of the showerhead.

Parts Identification



1. Determine the Door Configuration



IMPORTANT! Right-Open configuration is shown in the installation steps unless otherwise indicated.

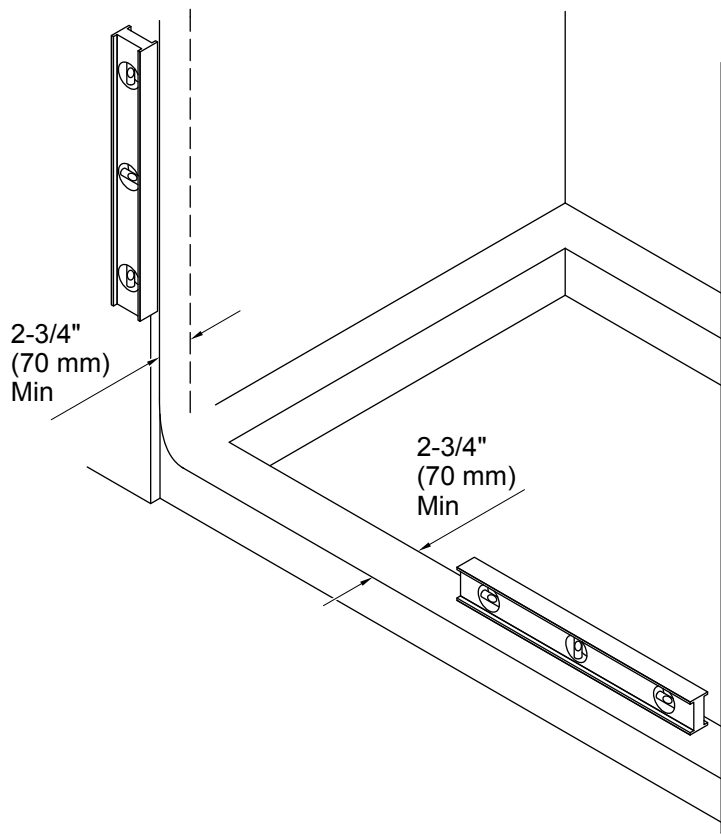
Determine whether the door will be installed in a Right-Open or Left-Open configuration.

It is recommended that the sliding panel be installed on the same side of the shower as the showerhead.

Select the centerguide cap that corresponds to the door configuration.

Select the threshold cap that corresponds to the door configuration.

2. Confirm Ledge and Wall Compatibility



IMPORTANT! For proper door alignment and operation, confirm that the shower base and walls meet the following requirements. Do not install the door if these requirements are not met.

IMPORTANT! Do not install this door on a cast iron shower base.

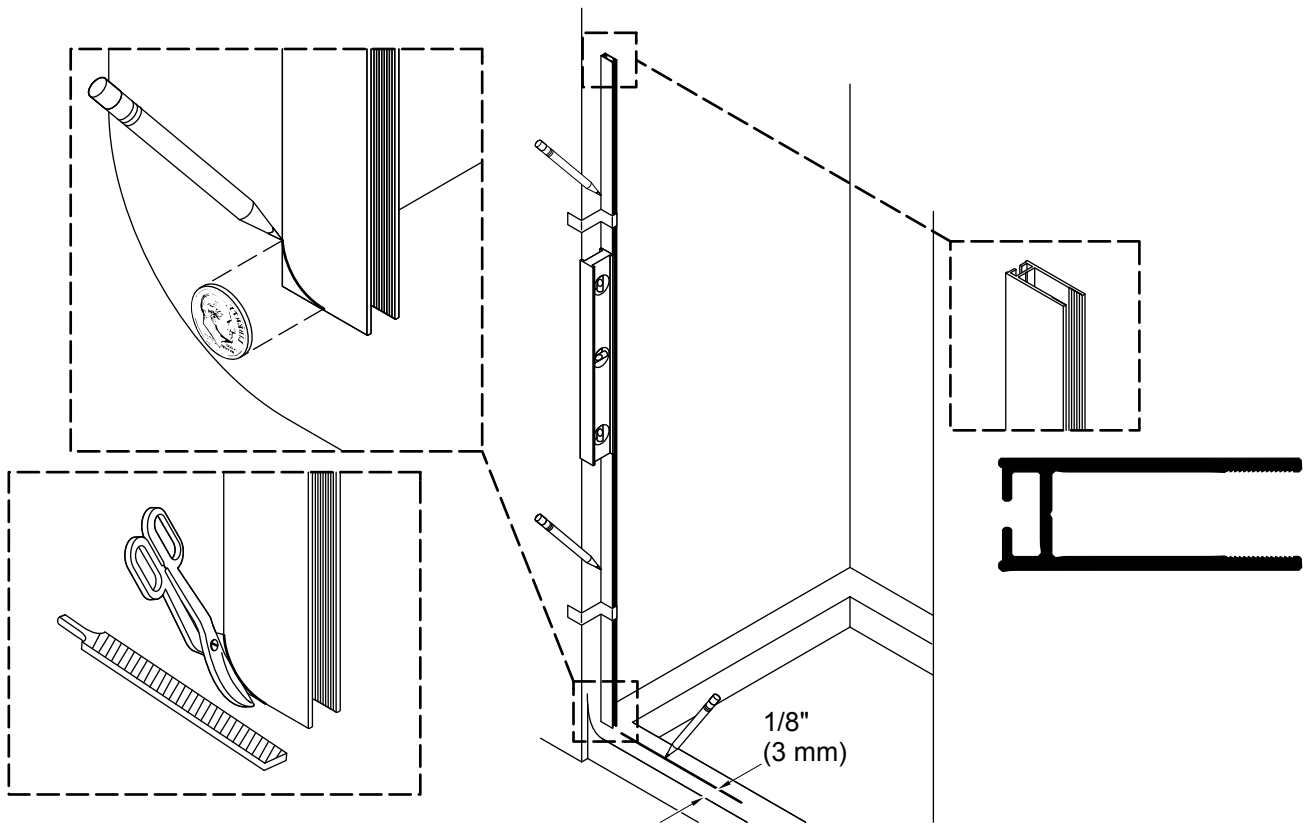
NOTE: Refer to the Specification Sheet to verify the proper door width.

There must be at least 2-3/4" (70 mm) of flat surface on the shower base and walls.

Walls must be within 3/8" (10 mm) of plumb.

The shower base must be level between the walls.

3. Prepare the Wall Jamb

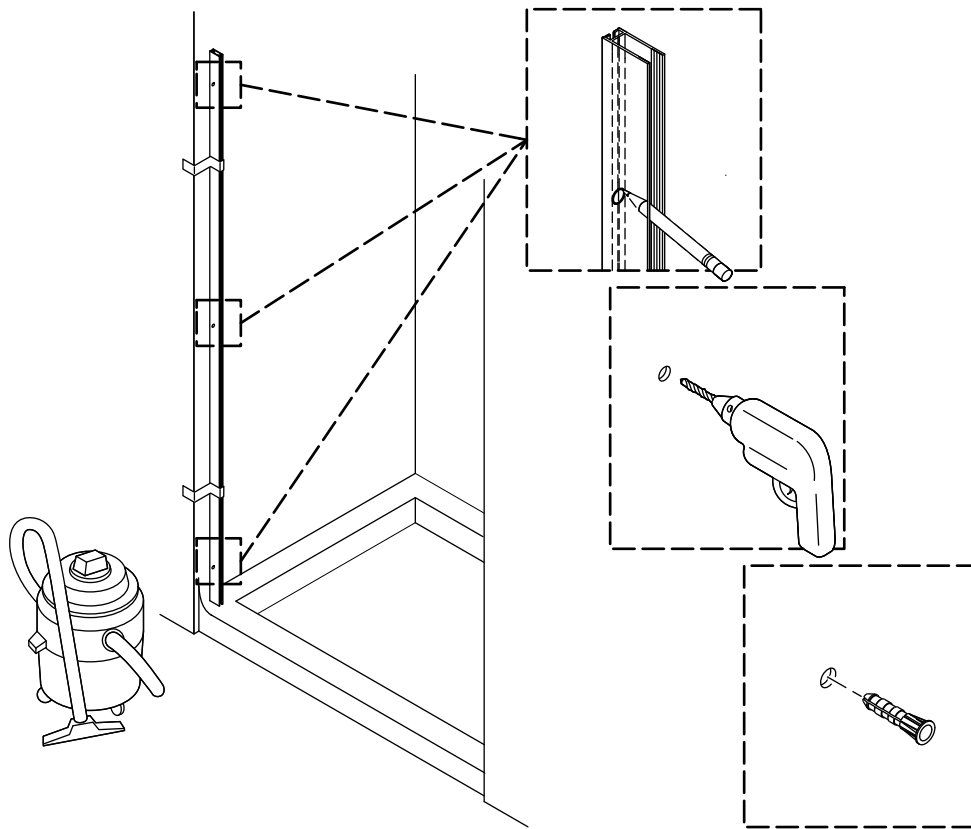


IMPORTANT! The wall jamb must fit tightly against the shower base and wall.

IMPORTANT! Right-Open configuration is shown in the installation steps unless otherwise indicated.

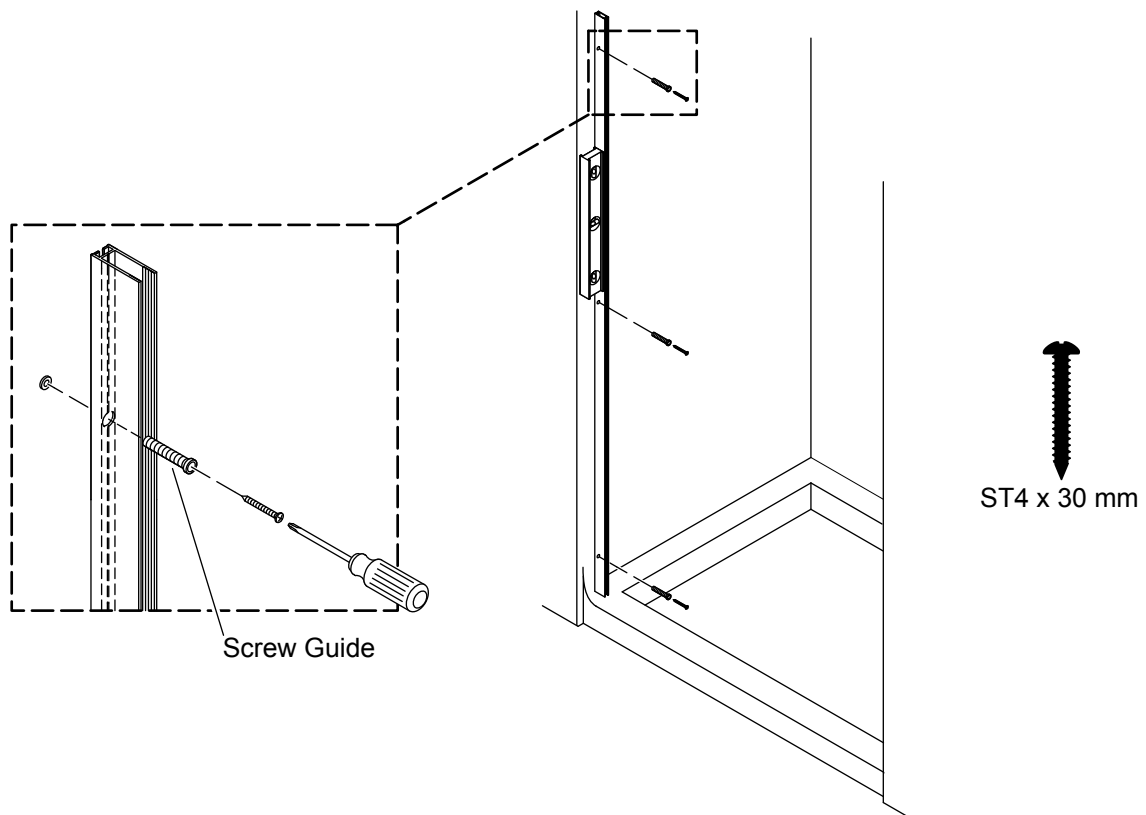
- Position the wall jamb against the wall so that it is 1/8" (3 mm) from the shower base front as shown. If the shower base has a front lip, measure from the flat surface inside the edge of the lip.
- If needed, shape and file the bottom corner to fit against the shower wall. Use a coin to match and transfer the corner radius.
- Plumb the wall jamb.
- Tape the wall jamb securely in place and mark the wall jamb location.

4. Mark the Wall Jamb Holes



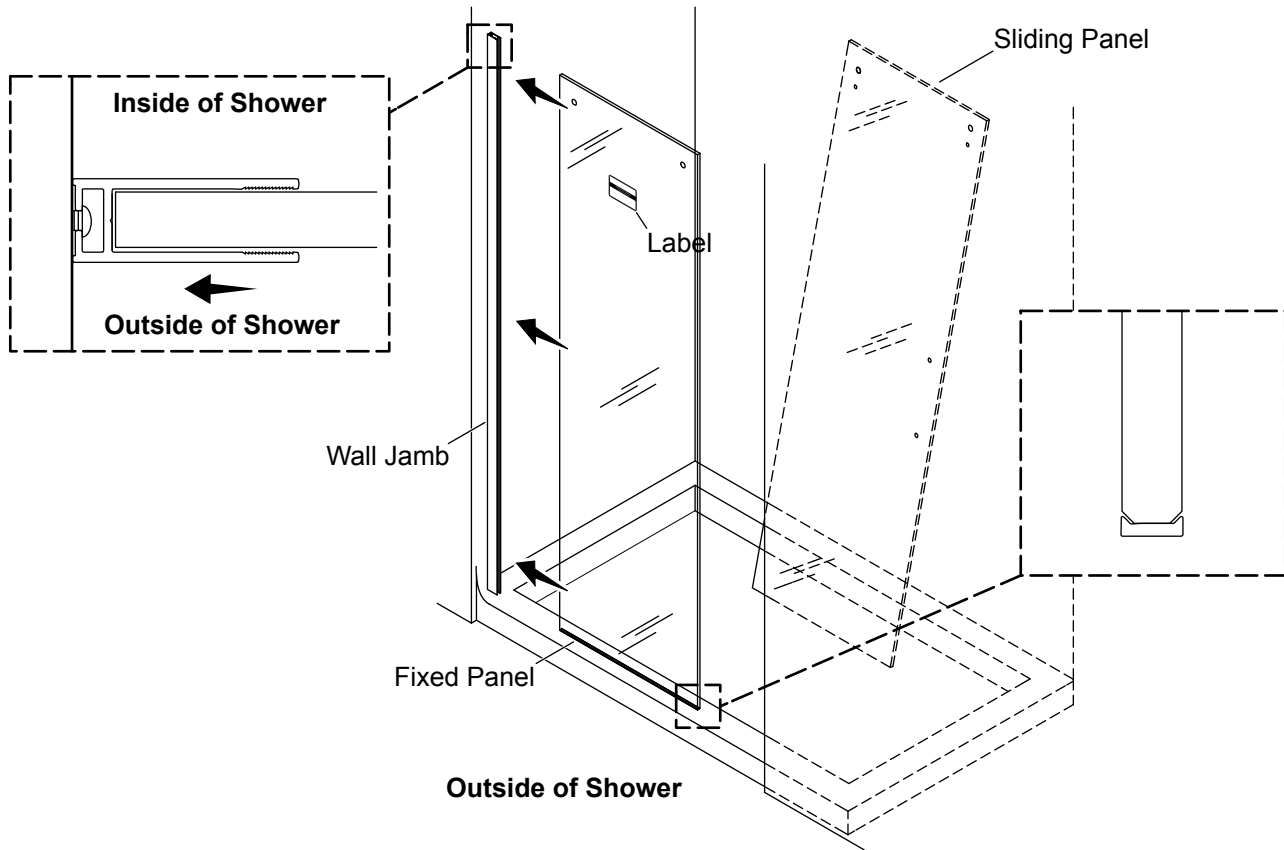
- Mark the three wall jamb anchor hole locations with a pencil.
- Remove the wall jamb and set aside.
- Drill a 1/4" hole at each marked location. Use a masonry bit for tile walls.
- Install the provided wall anchors. If necessary, gently tap the anchors until the anchors are flush against the wall.
- Thoroughly clean the shower base and walls.

5. Install the Wall Jamb



- Reposition the wall jamb, aligning with the anchor holes. Verify that the wall jamb is plumb.
- Use the screw guide to align and start each screw. Handtighten only.
- Secure the wall jamb with three of the provided ST4 x 30 mm screws.

6. Install the Fixed Panel



⚠ WARNING: The fixed panel is not secure in the wall jamb until the wedge seal and the header are installed. Use care until the installation is complete.

⚠ CAUTION: Risk of product damage. Verify that the clear plastic seal is present on the bottom edge of the fixed panel to prevent damage to the glass.

IMPORTANT! The sliding panel must be moved into the shower area before the header is installed.

IMPORTANT! The label on the fixed panel must face the outside of the shower.

NOTE: Perform the following procedure with two people.

NOTE: The fixed panel has only two holes at the top.

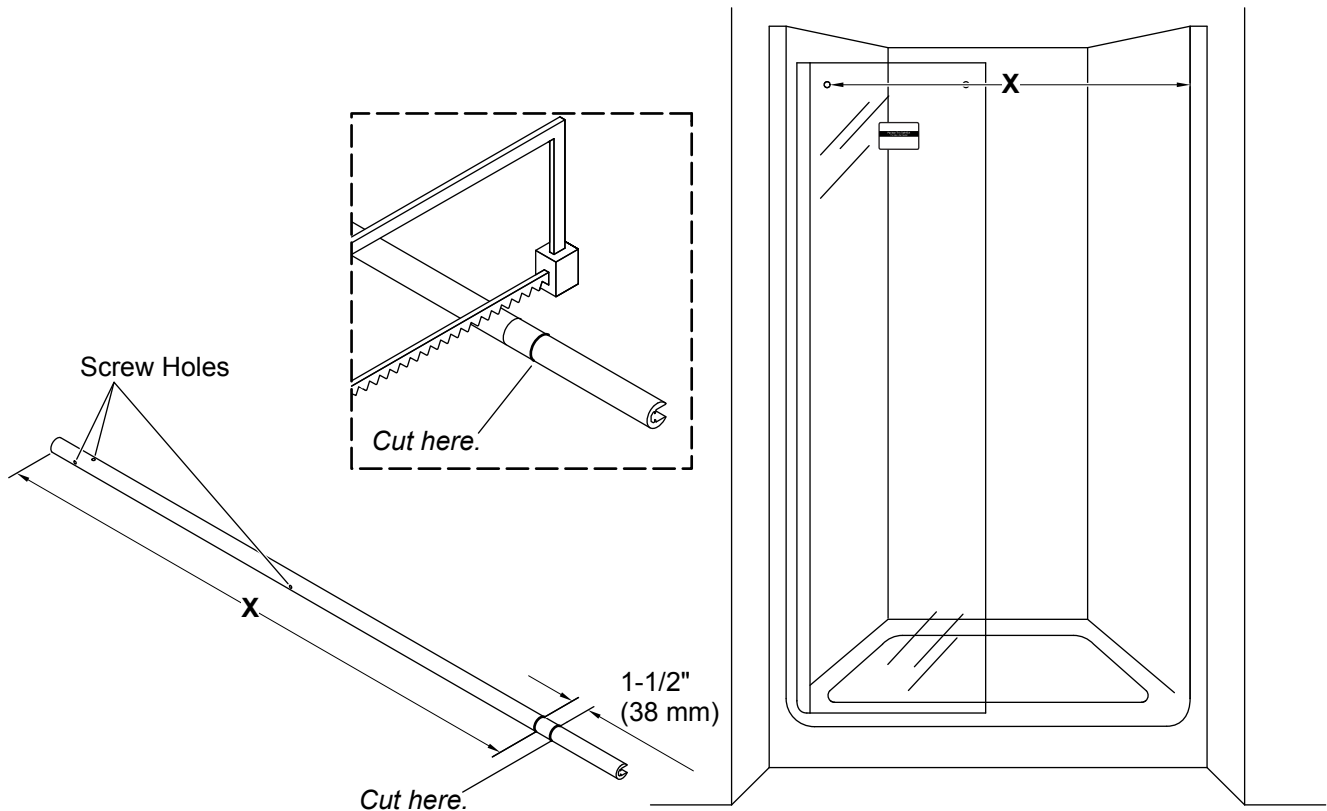
- With help, move the sliding panel completely into the shower area.
- Orient the sliding panel with the holes on top and the handle holes facing the showerhead.

NOTE: Do not remove the corner protectors from the sliding panel.

NOTE: The sliding panel will remain in the shower area until installation in the "Install the Sliding Panel" section.

- Remove the corner protectors from the fixed panel.
- With help, move the fixed panel into position with the label facing the outside of the shower and the holes at the top.

7. Measure and Cut the Header

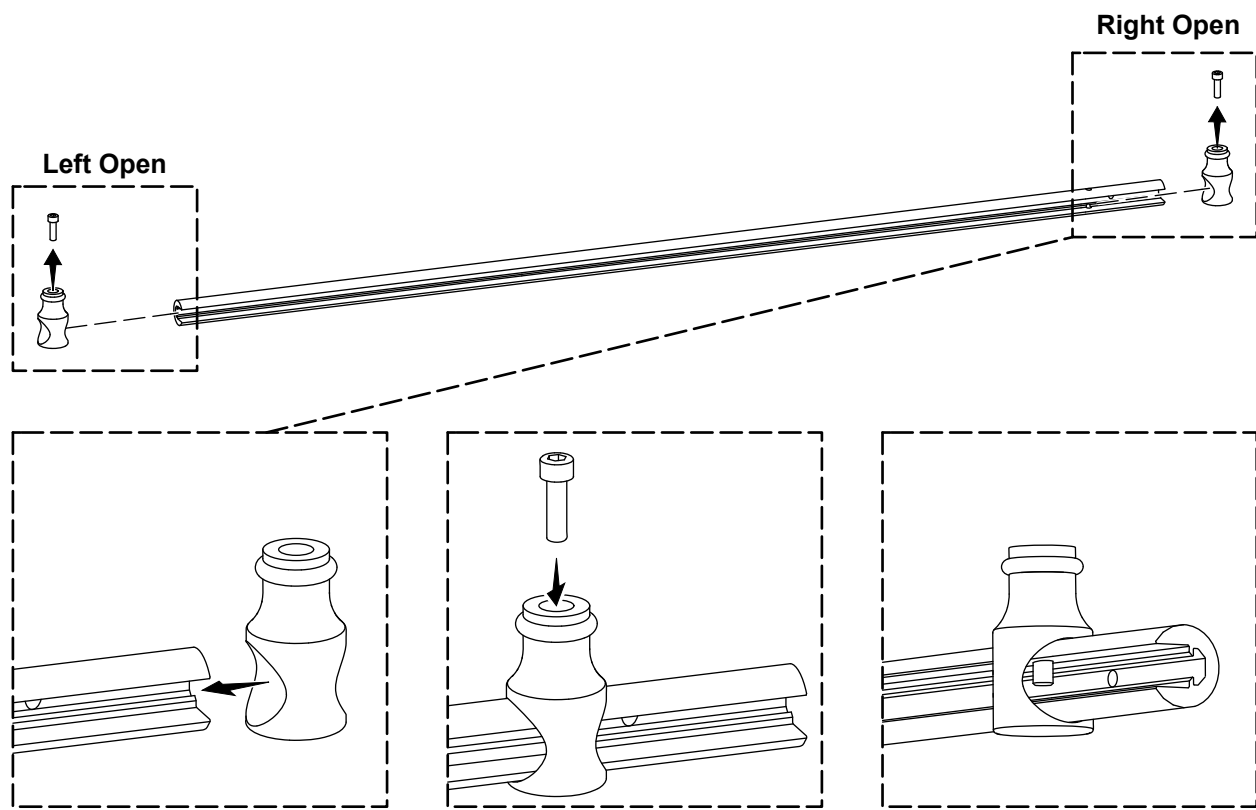


IMPORTANT! Confirm your measurements before cutting. Do not cut the header too short.

NOTICE: A metal-cutting chop saw or cut-off saw is recommended to cut the header. If unavailable, a hack saw and miter box will suffice.

- Identify the fixed panel hole closest to the wall. Measure "X" from the center of this hole to the opposite wall as shown.
- Measure "X" from the end of the header closest to the screw holes. Make a mark at "X" on the header.
- Measure an additional 1-1/2" (38 mm) from "X" as shown and make a second mark on the header. If the second mark lands past the end of the header, the header does not need to be cut.
- Cut the header at the second mark.
- File any rough edges.

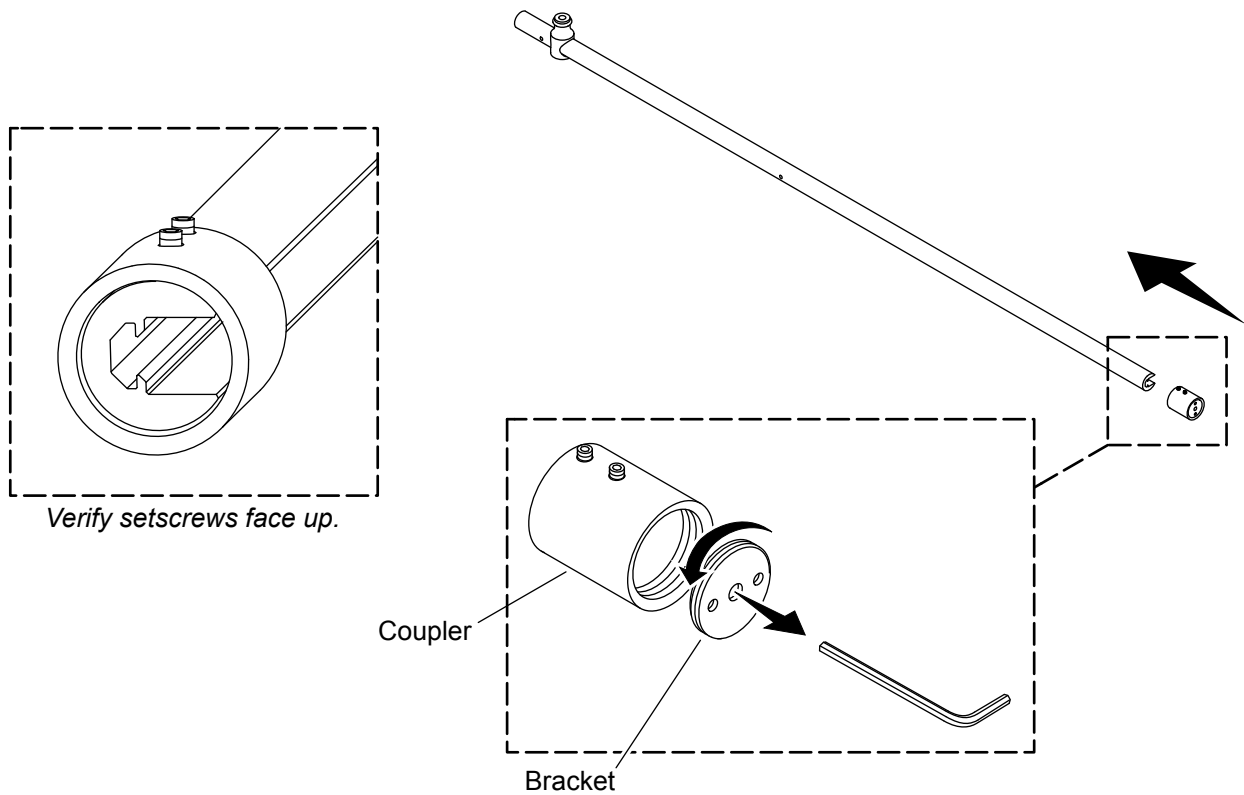
8. Install the Door Bumper



NOTE: Install the bumper according to the door configuration desired.

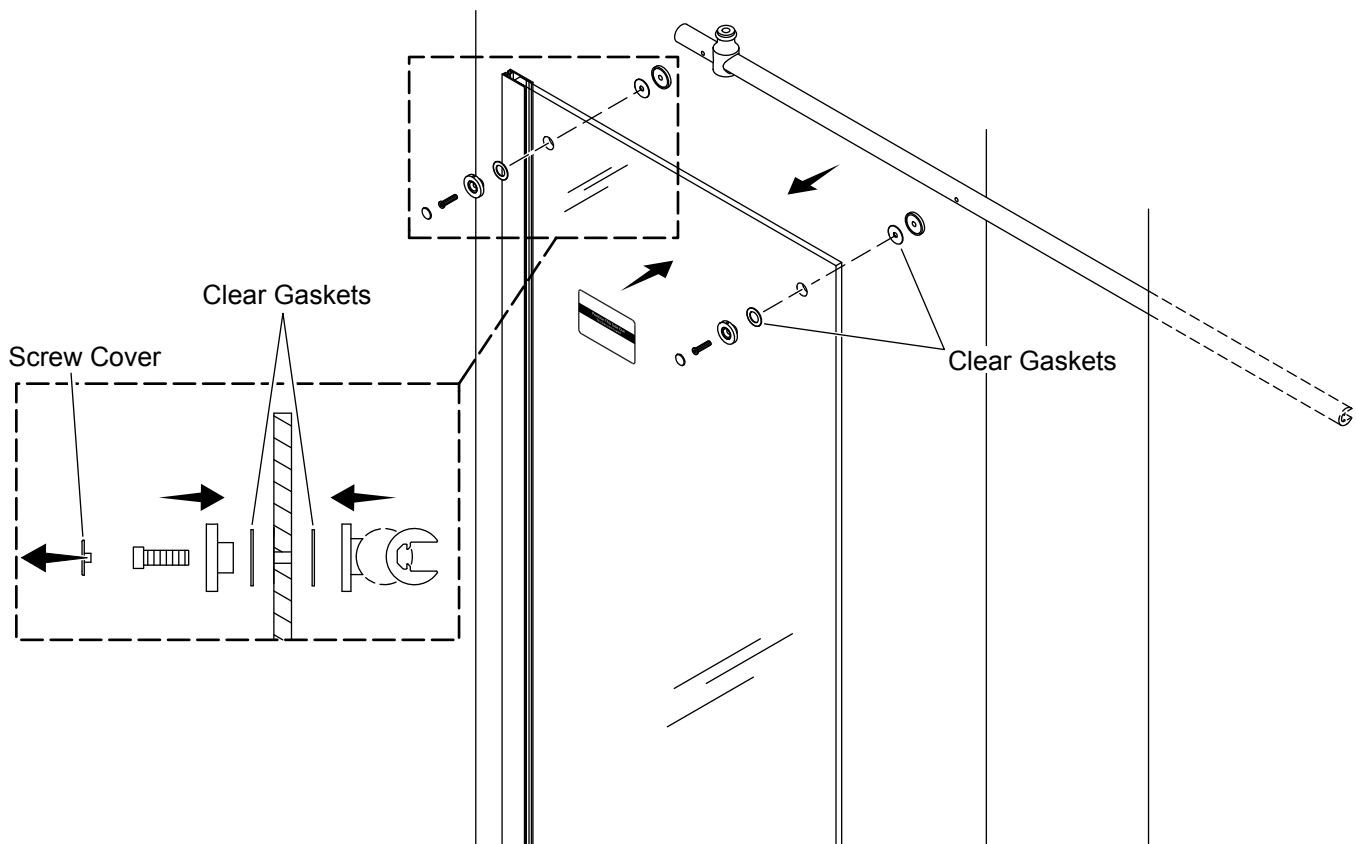
- Remove the shoulder screw from the door bumper.
- Slide the door bumper over the header on the side with threaded holes.
- Align the door bumper with the vertical header hole as shown, and insert the shoulder screw.
- Tighten the shoulder screw with the provided 5 mm hex wrench.

9. Install the Coupler



- Slide the coupler onto the end of the header until the header contacts the bracket.
- Verify that the setscrews face up.
- Lightly tighten the setscrew in the middle of the coupler with the provided 2.5 mm hex wrench to hold the coupler in place.
- Unthread the bracket from the coupler and set the bracket aside.

10. Install the Header

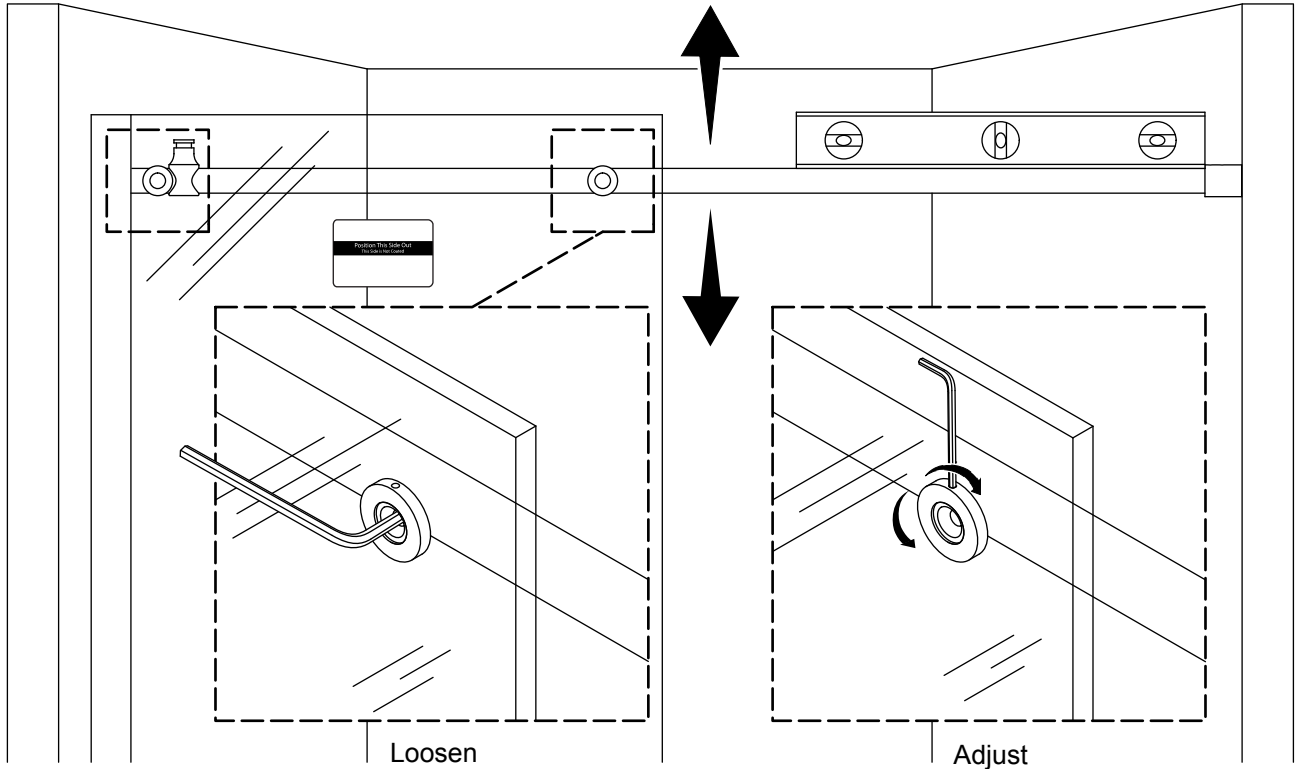


IMPORTANT! The header installs to the fixed panel on the inside of the shower.

NOTE: Remove the screw cover from the header mounts and set aside.

- Assemble the header mounts to the fixed panel as shown.
- Verify that the clear gaskets are in place on both sides of the header mounts. They may be difficult to see.
- From the outside of the shower, push a header mount bolt through each mount and thread into the screw holes in the header. Tighten the bolts with the provided 4 mm hex wrench. **Do not overtighten!**
- Verify that the header is fully seated in the curved surfaces of the header mounts.

11. Level the Header

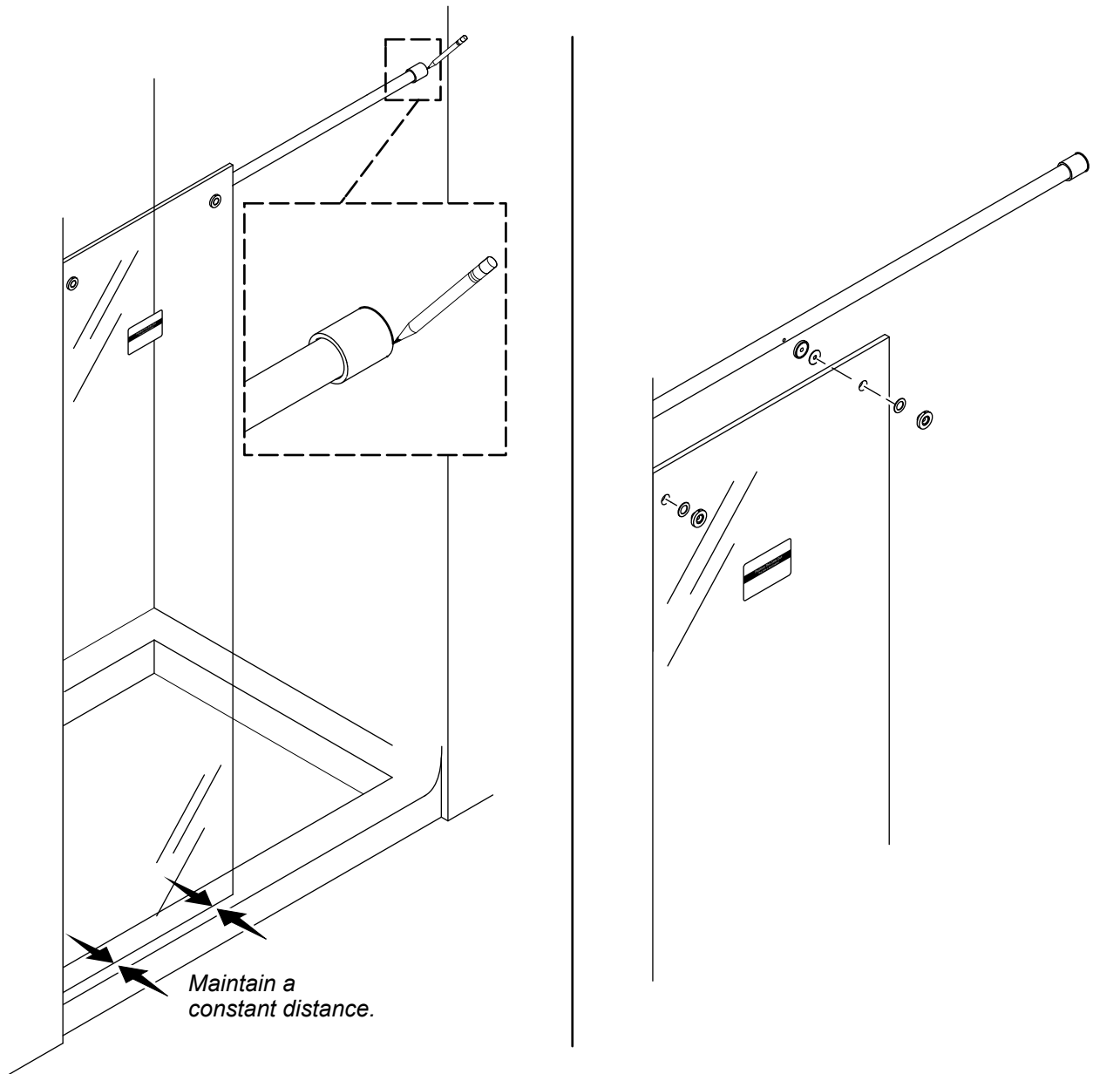


IMPORTANT! The header must be level before proceeding.

IMPORTANT! Verify that the fixed panel sits flat on the shower ledge.

- If the header requires leveling, slightly loosen the header mount screws with the provided 4 mm hex wrench.
- To adjust the header, place the provided 2 mm hex wrench in the small hole in the header mount. Turn the header mounts to level the header.
- When the header is level, tighten the header mount screws with the provided 4 mm hex wrench.

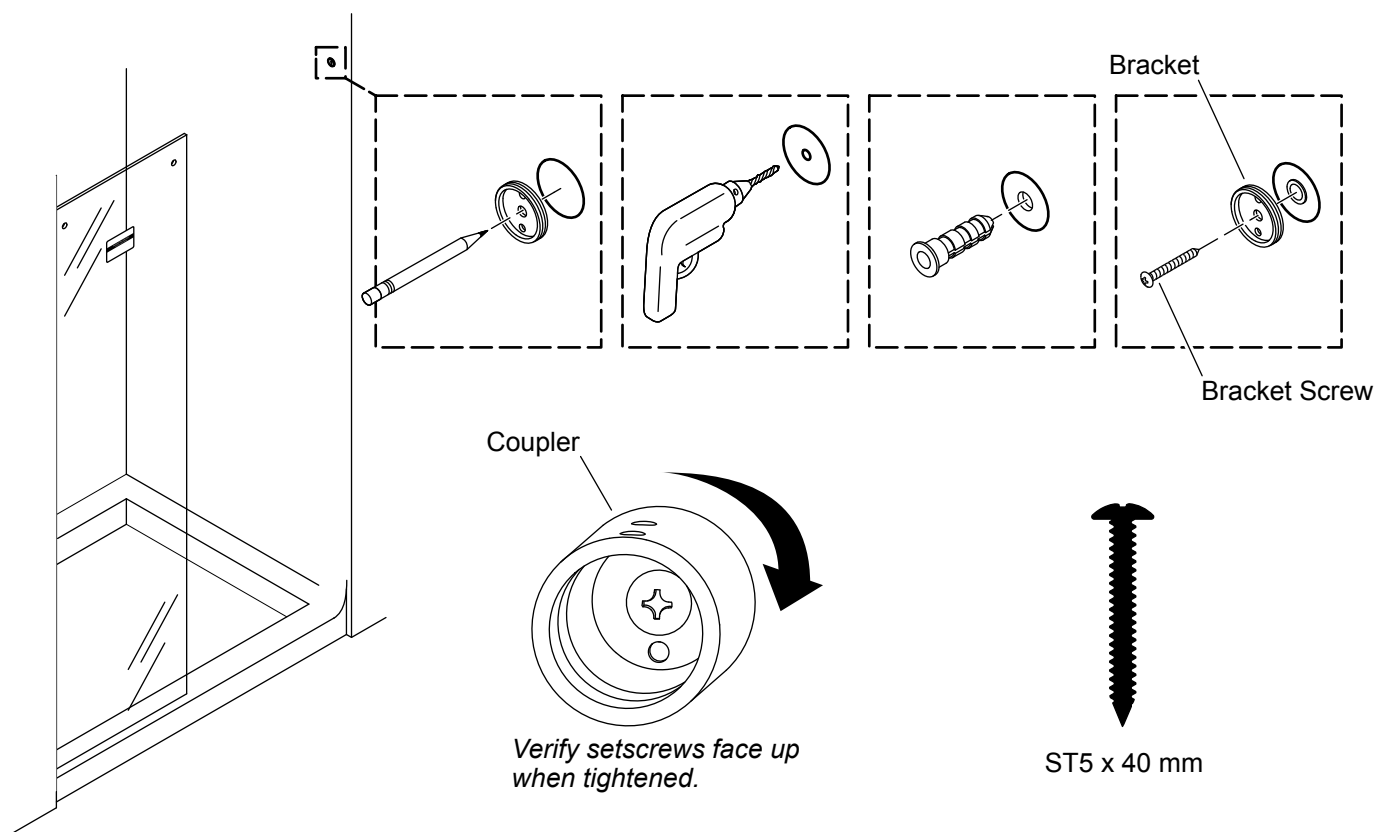
12. Mark the Header Mount



NOTICE: The header must be level and securely fastened to the fixed panel. If necessary, go back to the “Level the Header” section.

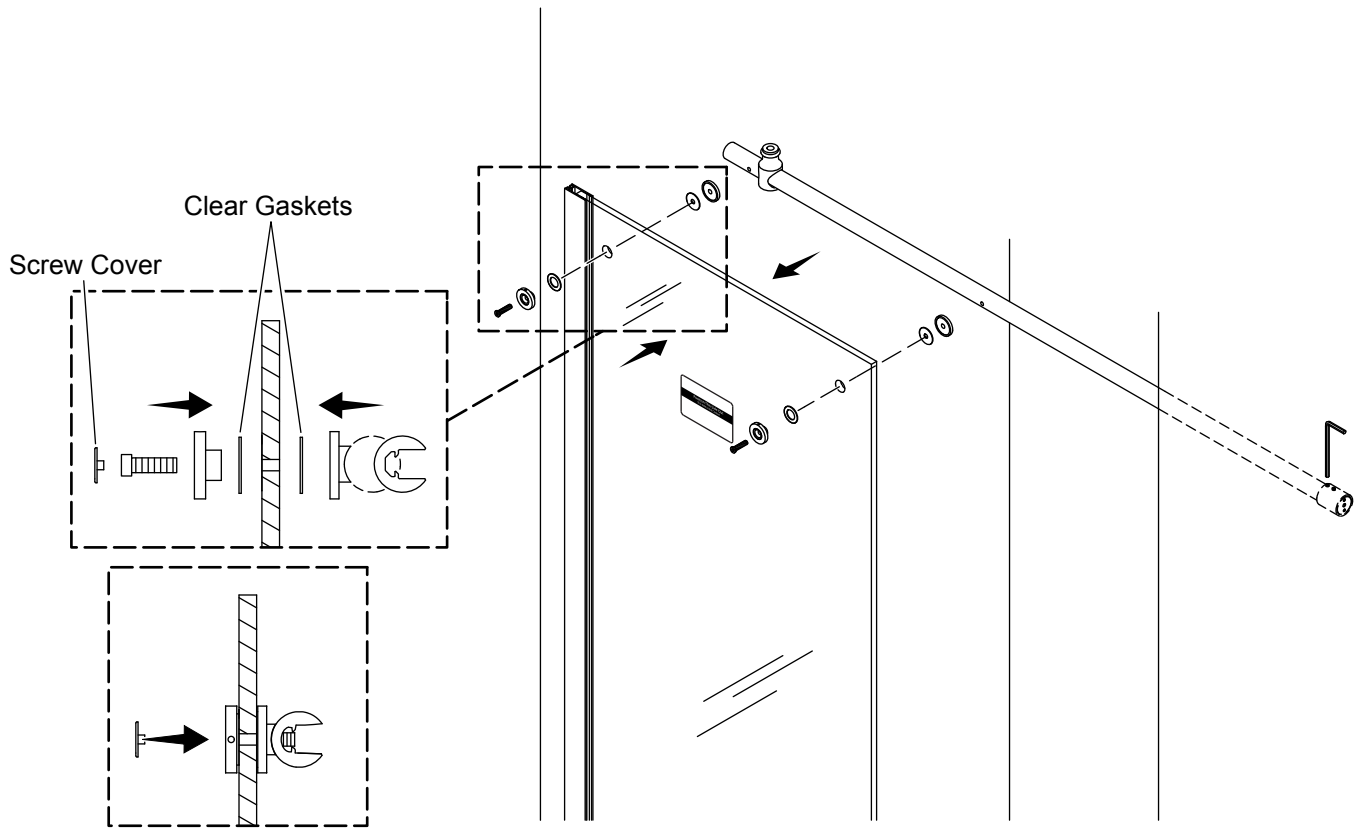
- Verify that the fixed panel is a constant distance from the shower base radius.
- Loosen the setscrews on the coupler. Slide the coupler to the wall and mark its location.
- Remove the coupler.
- Remove the header from the fixed panel.

13. Install the Header Bracket



- Align the header bracket with the mark on the wall. For better accuracy, the header bracket may be temporarily reinstalled in the coupler.
- Mark the header bracket center hole location on the wall.
- Drill a 5/16" hole at the header bracket center mark.
- Install the provided large wall anchor. Verify that the anchor is fully seated against the wall.
- Install the bracket with the provided ST5 x 40 mm screw.
- Rotate the coupler tightly to the wall, and verify that the setscrews face up.
- If the setscrews do not face up, loosen the bracket screw and rotate the coupler and bracket together until the setscrews face up. Tighten the bracket screw.
- Thoroughly clean the shower base and wall.

14. Reinstall the Header



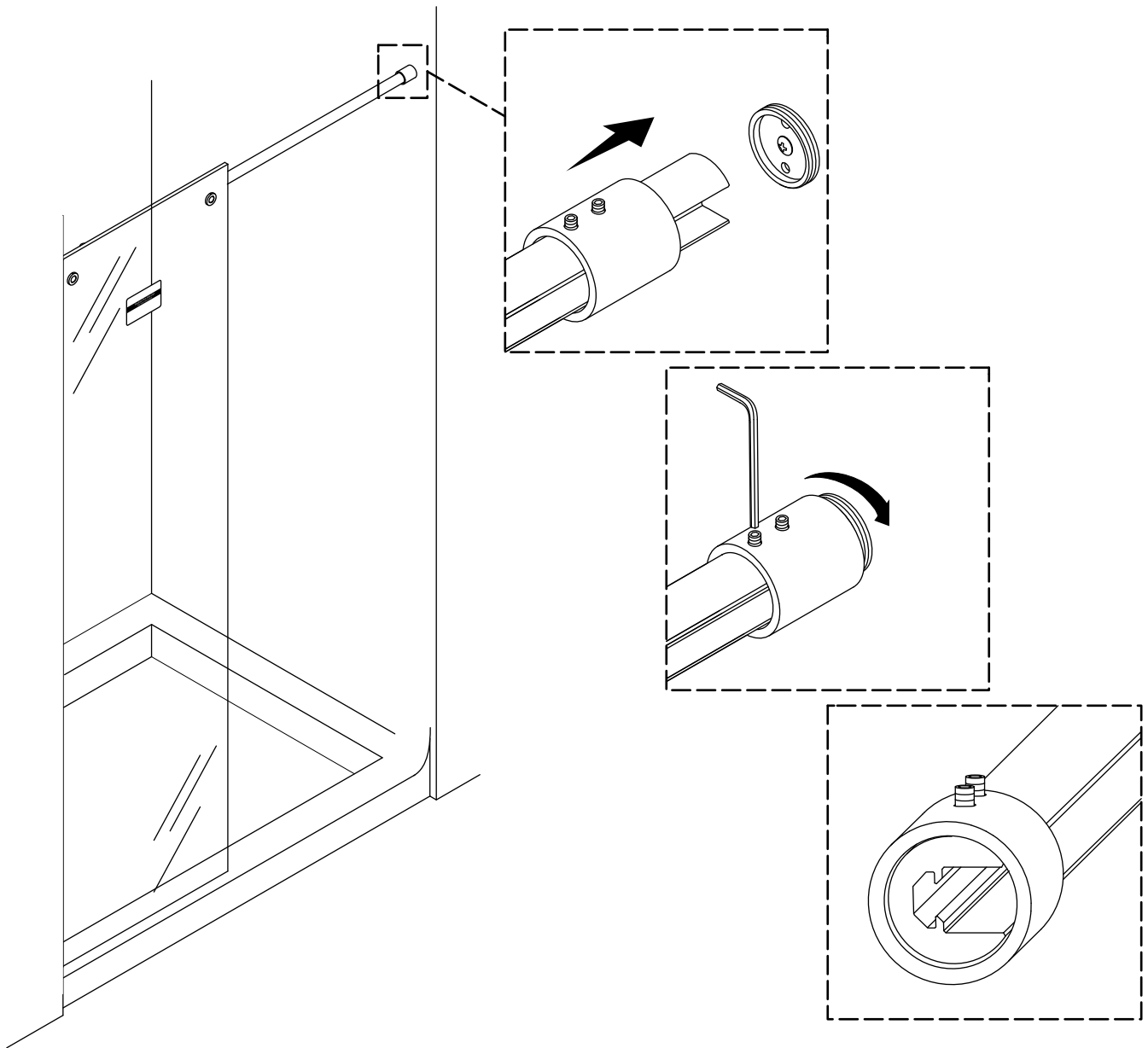
IMPORTANT! The header installs to the fixed panel on the inside of the shower.

- Unthread the bracket from the coupler and set the bracket aside.
- Assemble the header mounts to the fixed panel as shown.
- Verify that the clear gaskets are in place on both sides of the header mounts. They may be difficult to see.

NOTE: Hold the header against the inside header mount when tightening to maintain proper alignment.

- From the outside of the shower, push a header mount bolt through each mount and thread into the screw holes in the header. Tighten the bolts with the provided 4 mm hex wrench. **Do not overtighten!**
- Install the screw covers.
- Verify that the header is level. Refer to the "Level the Header" section.

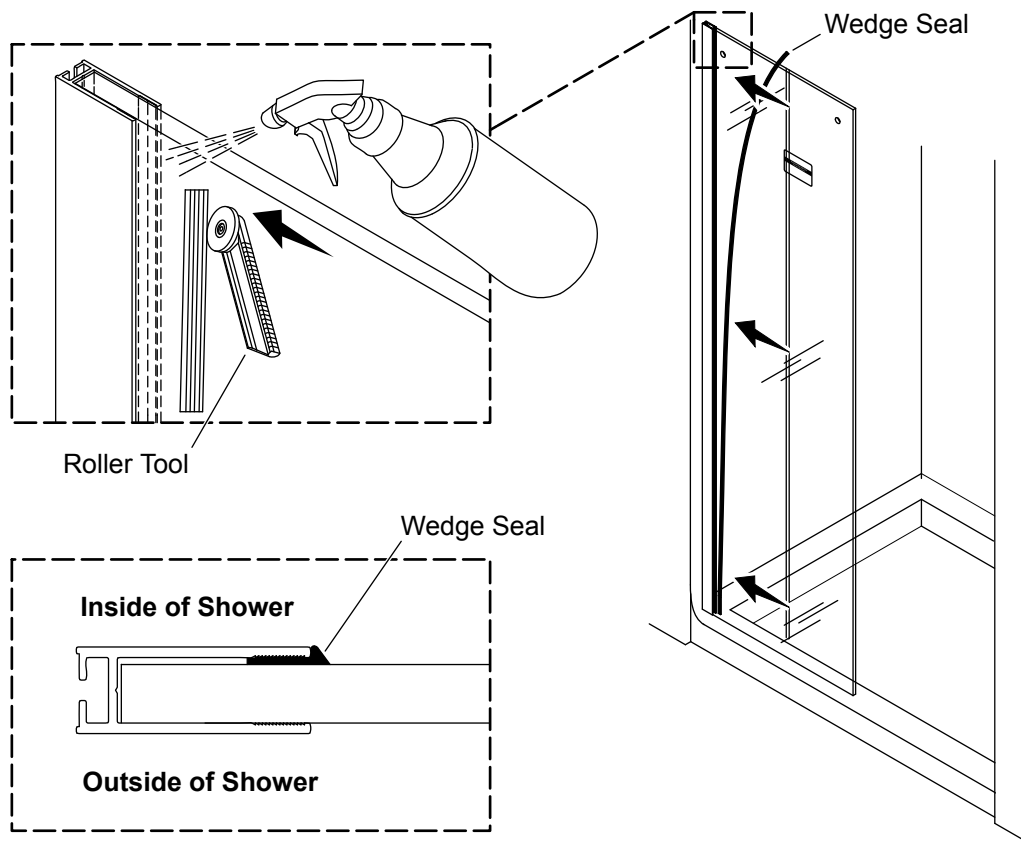
15. Secure the Header



IMPORTANT! Do not use force to align the header with the wall bracket. If the header does not align, check that the header is level and the fixed wall panel is seated properly. If necessary, make small adjustments according to the “Level the Header” section.

- Slide the coupler to the wall and thread onto the header mount bracket.
- Orient the coupler so that the setscrews face up. Tighten the setscrews with the provided 2.5 mm hex wrench.

16. Install the Wedge Seal

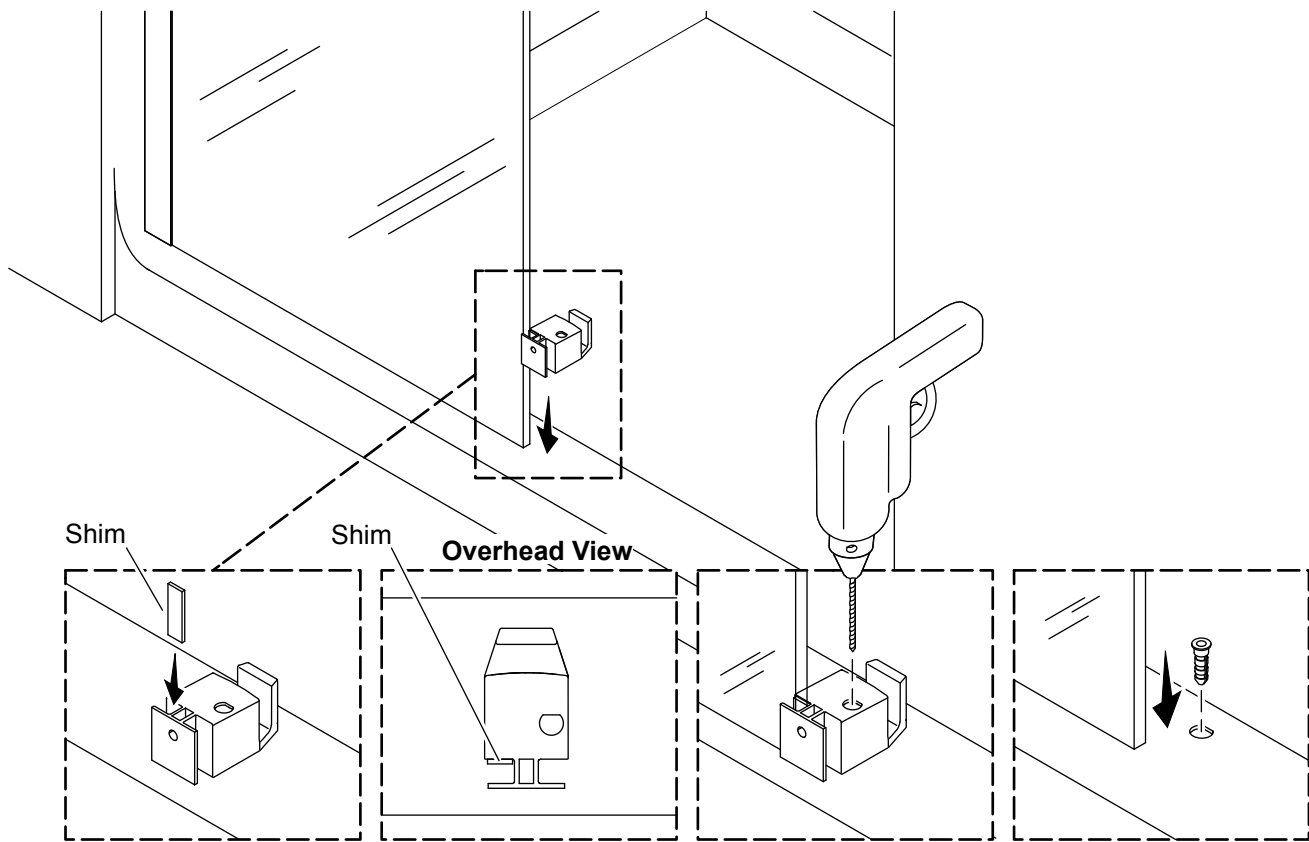


⚠ WARNING: Risk of product damage. Do not use sharp objects to push the wedge seal into place.

NOTE: Water can be used to help insert the wedge seal fully into the wall jamb.

- Starting at the bottom, use the provided roller tool to push the wedge seal completely between the wall jamb and the fixed panel, as shown.
- Trim any excess length of the wedge seal.

17. Prepare the Centerguide

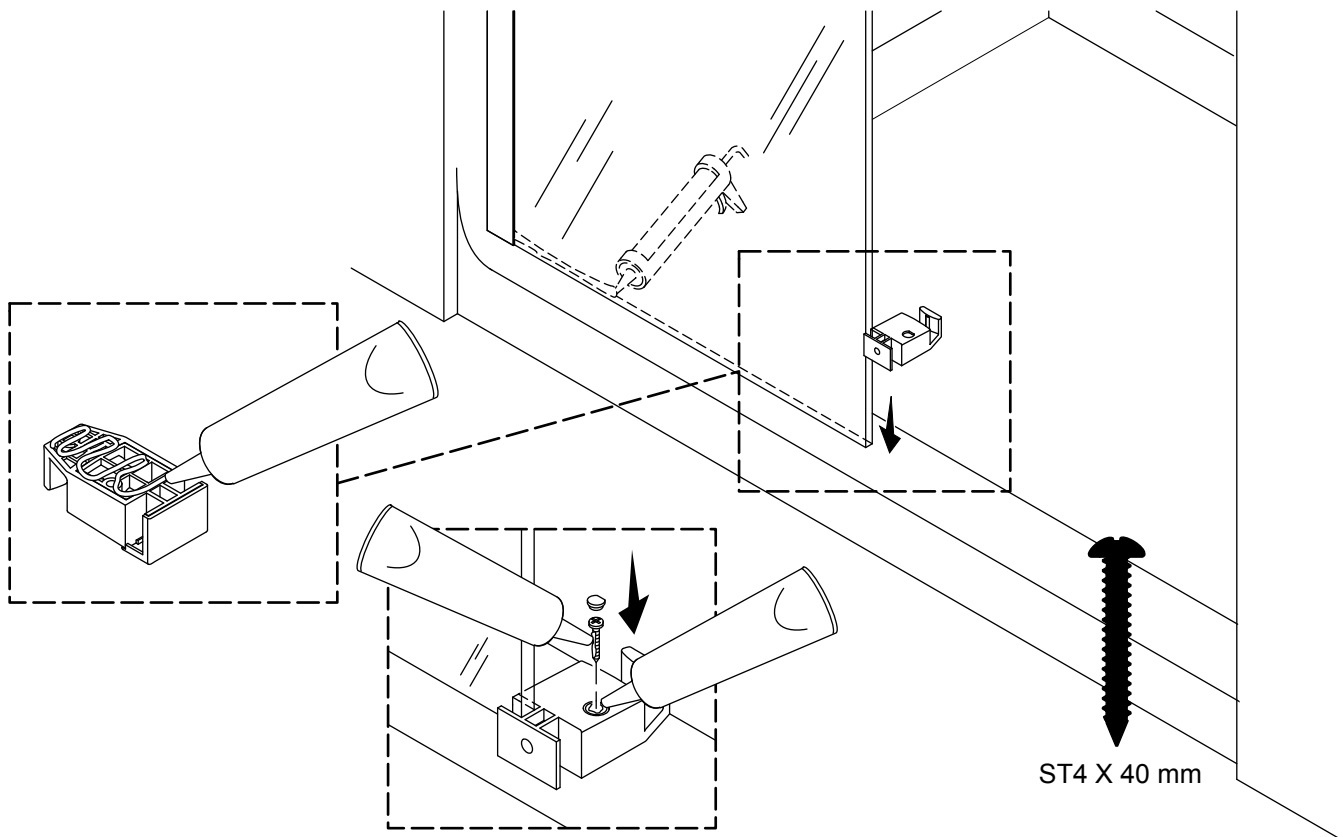


- Place the centerguide in position as shown to determine which side to install the shim. This position will vary from Right-Open to Left-Open configuration, as determined in the "Determine the Door Configuration" section. Remove the centerguide.

NOTE: The provided shim is only required for doors with a glass thickness of 5/16" (8 mm). Doors with a glass thickness of 3/8" (10 mm) do not require the shim.

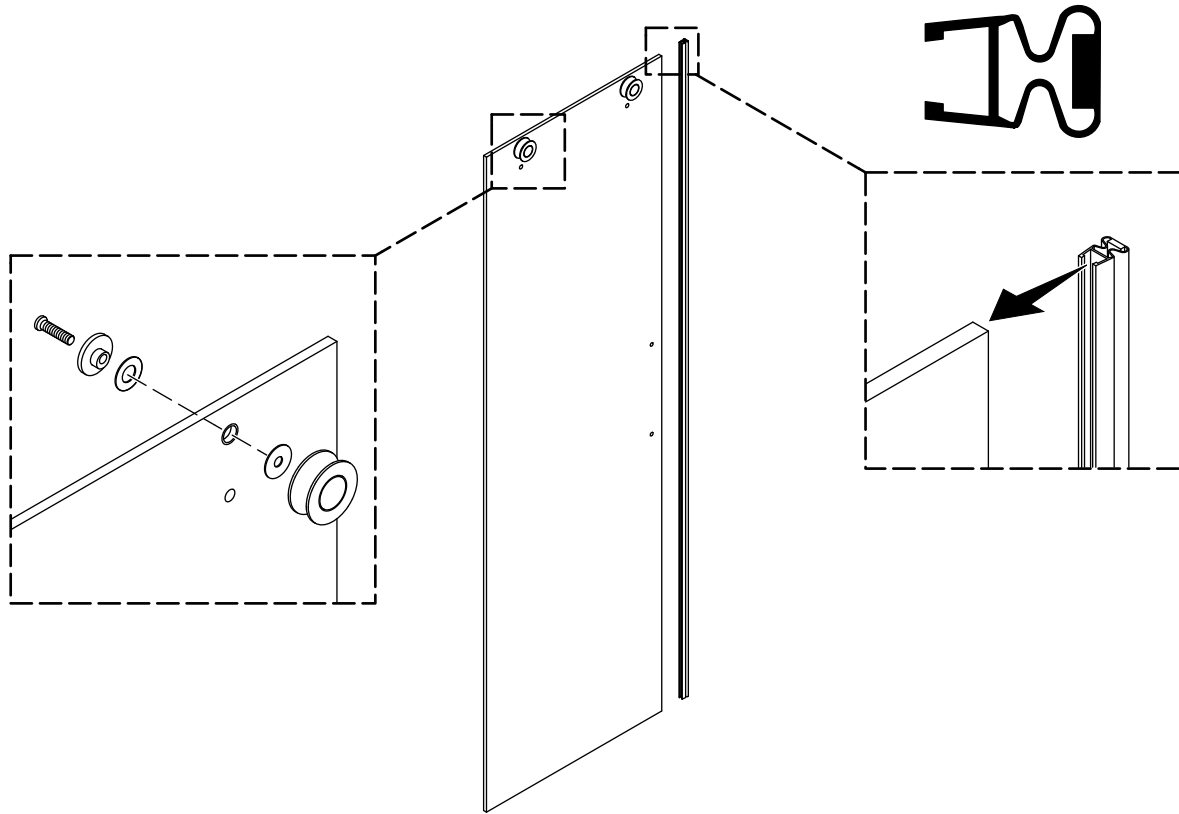
- Install the shim on the centerguide surface inside the shower facing the fixed panel.
- Locate the centerguide on the shower base so that the fixed panel is completely seated in the pocket.
- Using the hole in the centerguide as a guide, drill a 1/4" hole.
- Remove the centerguide and insert the anchor into the hole.

18. Install the Centerguide



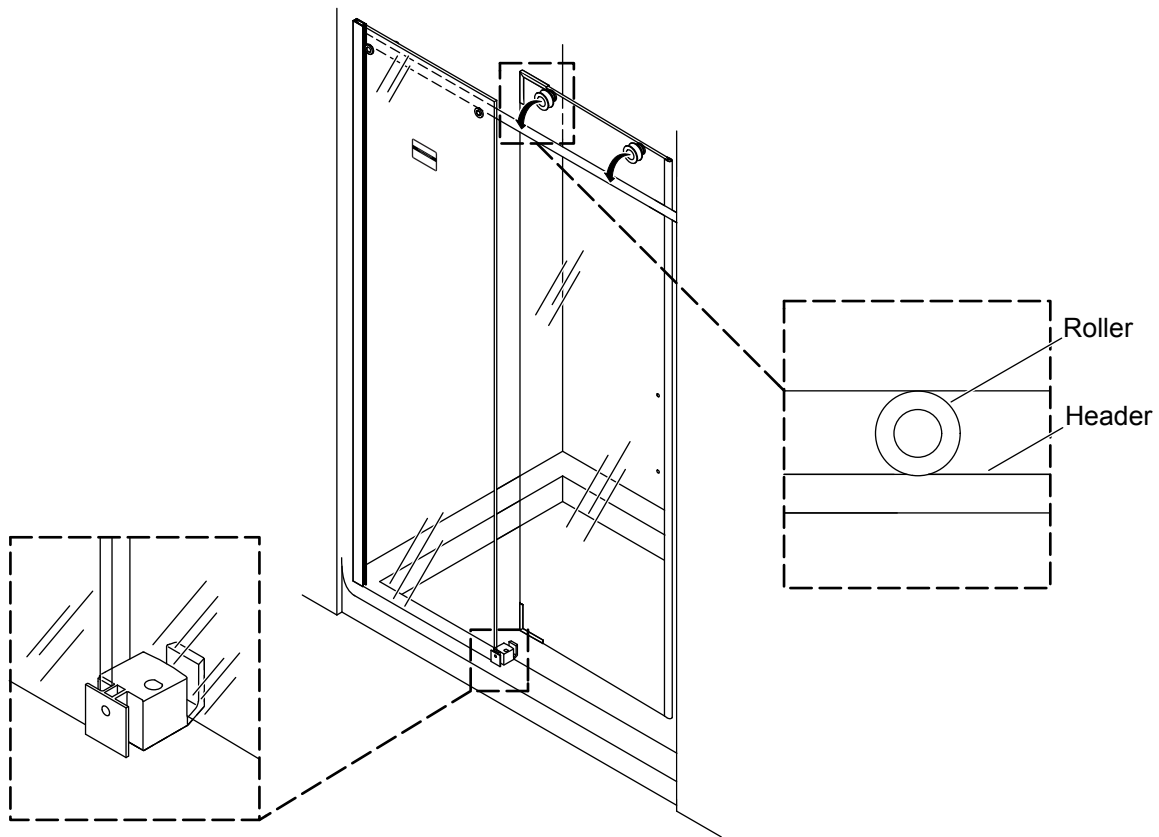
- Apply 100% silicone sealant to the bottom of the centerguide.
- Locate the centerguide on the shower base so that the fixed panel is completely seated in the pocket.
- Apply 100% silicone sealant to the centerguide hole.
- Apply 100% silicone sealant to the provided ST4 x 40 mm screw and secure the centerguide.
- Snap a cap over the screw hole.
- Apply 100% silicone sealant along the bottom of the fixed panel where it meets the shower base inside the shower.

19. Assemble the Sliding Panel



- Install a roller into each of the top holes in the sliding panel. The rollers must be positioned on the outside of the sliding panel.
- Secure each roller with a hex wrench.
- Push the magnetic seal onto the edge of the sliding panel nearest the holes. The magnetic seal should be flush with the top of the sliding panel.

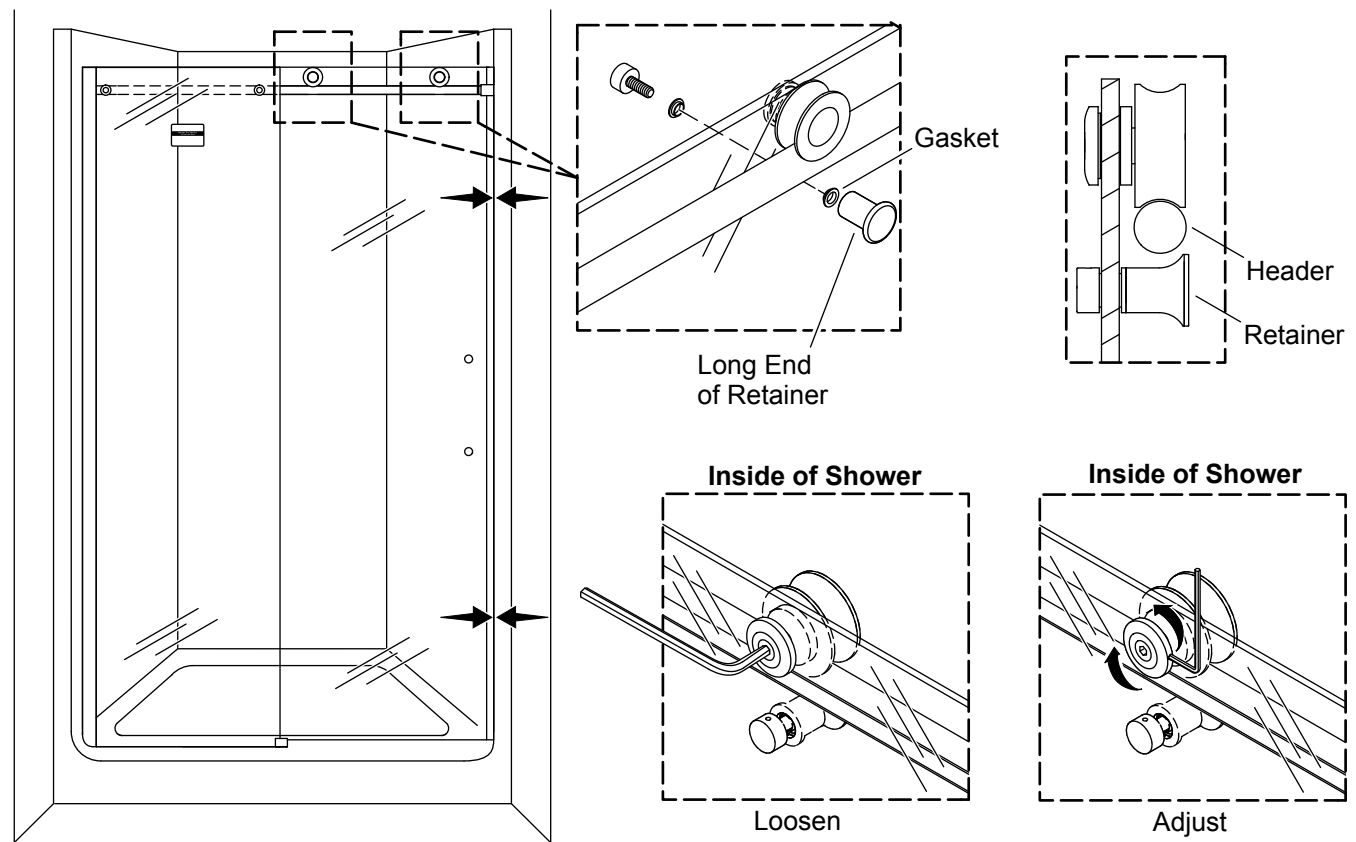
20. Install the Sliding Panel



NOTE: Perform the following procedure with two people.

- From inside the shower, lift the door panel and set the bottom edge into the rear channel of the centerguide.
- Set both rollers on top of the header.
- Remove corner protectors from the door panel.

21. Adjust the Sliding Panel



Install the Door Retainers

NOTE: The long end of the retainer faces the outside of the shower.

- In the hole closest to the closing side wall, install a door retainer in the sliding panel below the roller as shown. Rotate the retainer to its lowest position (furthest from the header), and handtighten the short end of the retainer. If needed, use a 2 mm hex wrench in the side hole to help tighten.
- Close the door. Install the remaining door retainer in its lowest position.

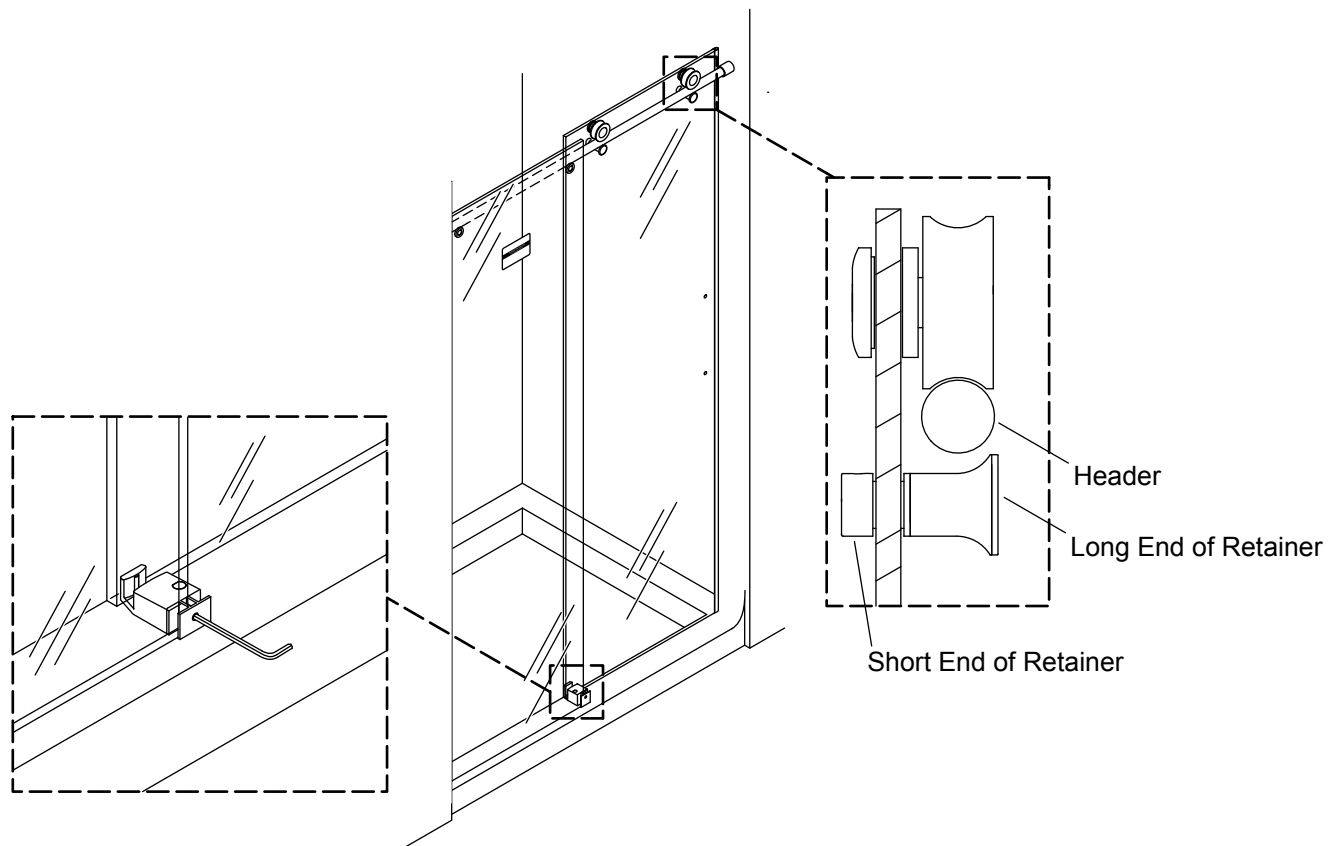
Adjust the Sliding Panel

NOTE: Place shims under the panel to tilt the panel as needed when adjusting. Remove the shims when adjustment is complete.

NOTE: When closed, the sliding panel must be flush with the wall. If there is a gap between the wall and the sliding panel anywhere along its length, adjust the sliding panel.

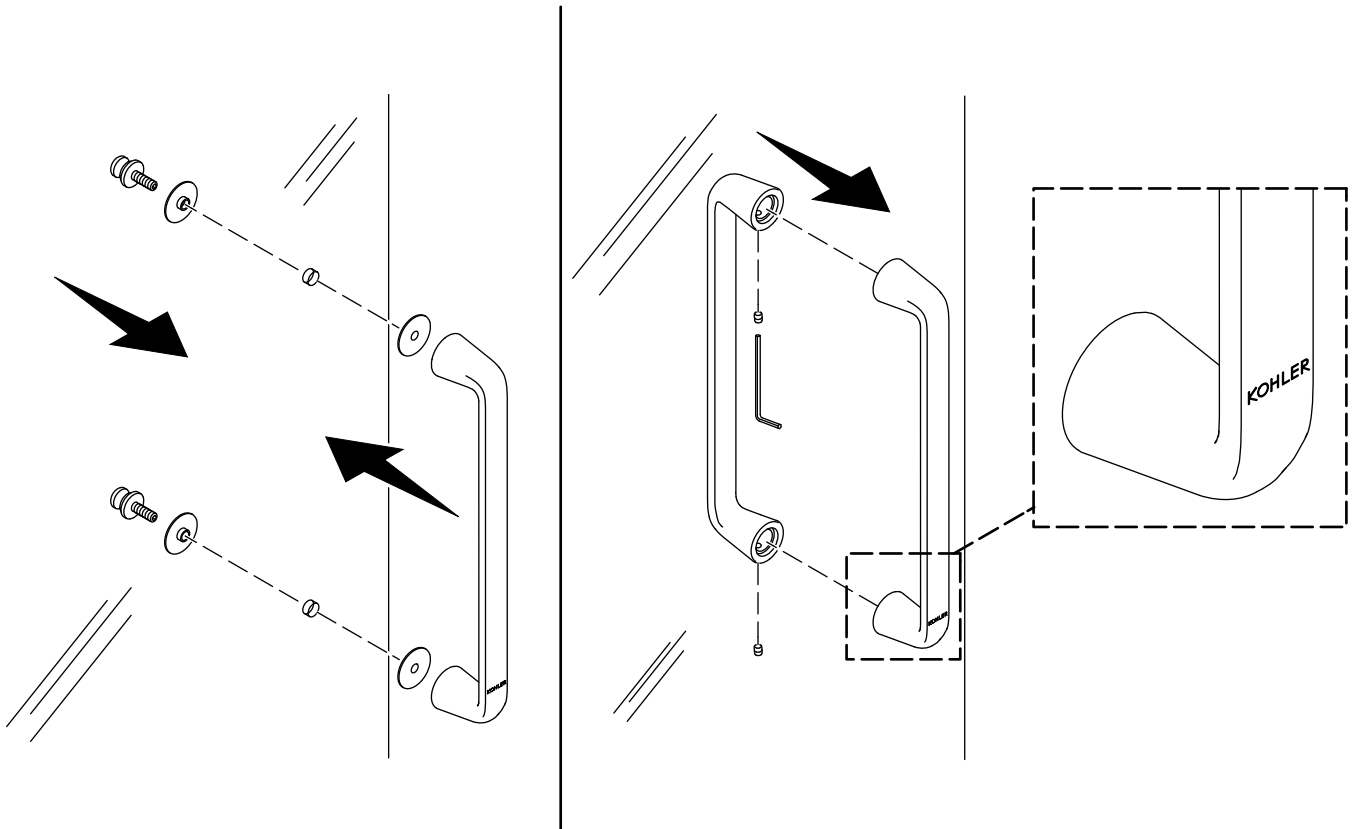
- From inside the shower, loosen the roller mount screws with the provided 5 mm hex wrench.
- Insert the provided 2 mm hex wrench into the roller mount adjustment hole and turn to adjust.
- Do not allow the sliding panel to contact the shower base.
- When the door closes flush with the wall at the top and bottom, securely tighten the roller mount screws.

22. Adjust the Door Retainers and Centerguide



- The door retainers are adjustable by rotating the retainer. Hand loosen the retainers for adjustment.
- Rotate the long end of the retainer to the desired position and hold in place while the short end is tightened securely.
- The retainer should be as close as possible to the header without touching, rubbing, or scraping.
- Use the provided 3 mm hex wrench to tighten the setscrew on the front of the centerguide until the door slides smoothly.

23. Install the Handles

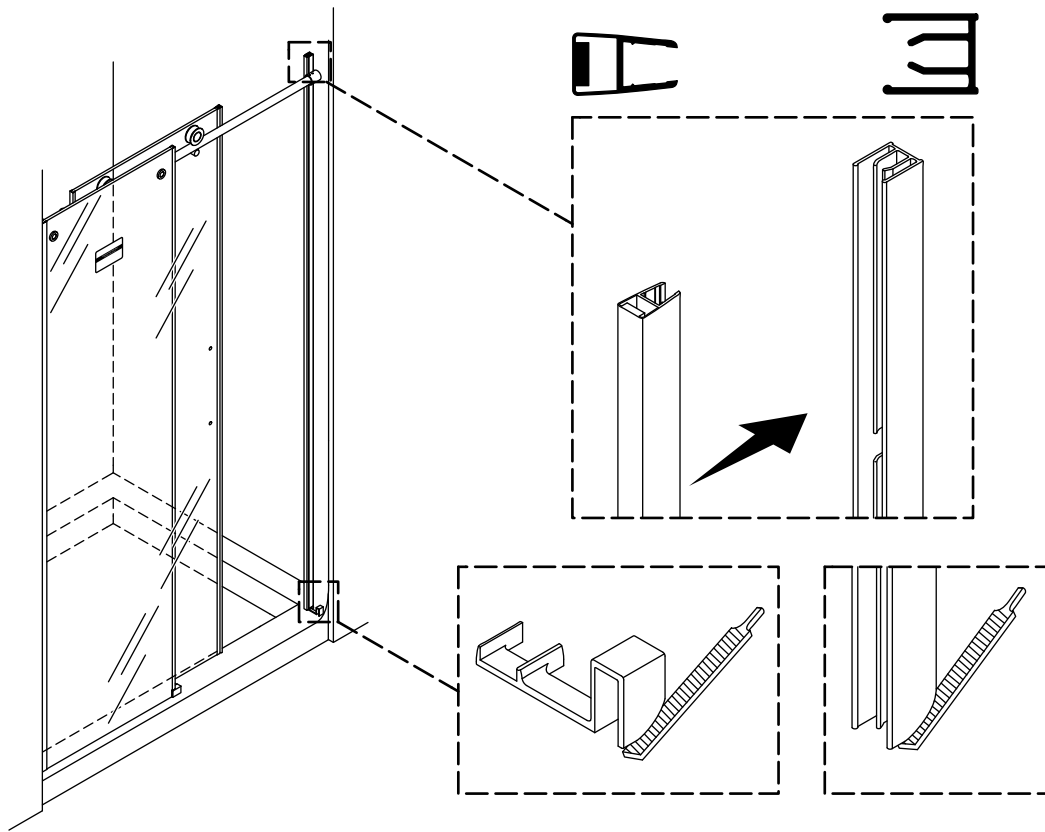


NOTE: The handle may appear different than the one shown. The installation steps remain the same.

NOTE: "KOHLER" lettering should be oriented on the bottom of the handle.

- Place a bushing into each side of each handle hole.
- From the inside of the shower, push a bolt through each handle hole.
- With the "KOHLER" lettering at the bottom, place the outside handle over the bolts. Thread the bolts into the handle.
- Tighten the bolts. **Do not overtighten!**
- Install the inside handle over the bolts.
- Secure the inside handle with the two setscrews. Tighten with the provided 2.5 mm hex wrench.

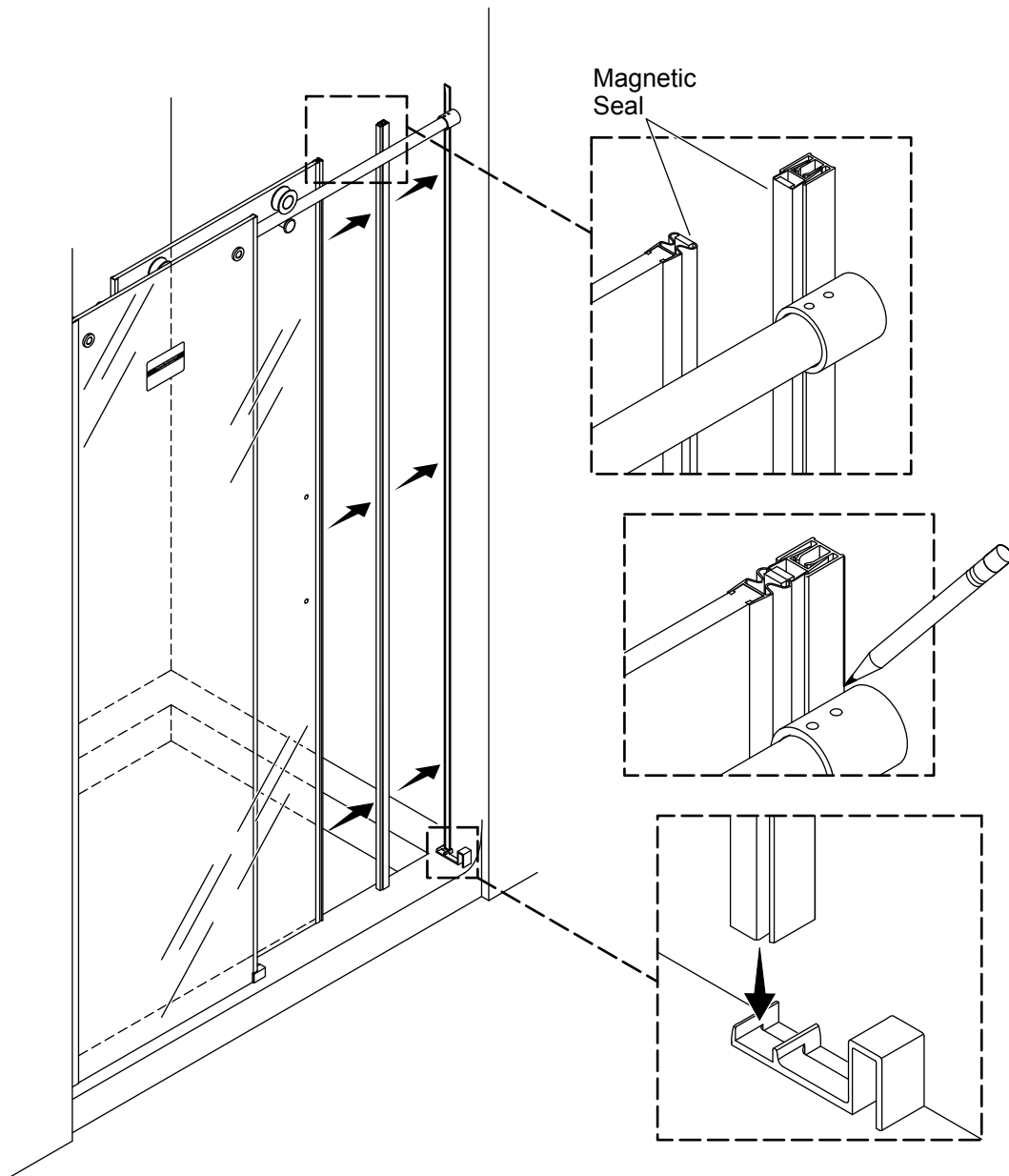
24. Prepare the Strike Jamb



NOTE: The strike jamb must fit tightly against the threshold cap and the wall.

- If needed, shape and file the bottom corners of the threshold cap to fit tight against the shower wall.
- If needed, shape and file the bottom corner of the strike jamb to fit against the shower wall.
- Position the strike jamb against the wall so that it is inside the header as shown.
- Push the magnetic seal into the strike jamb.

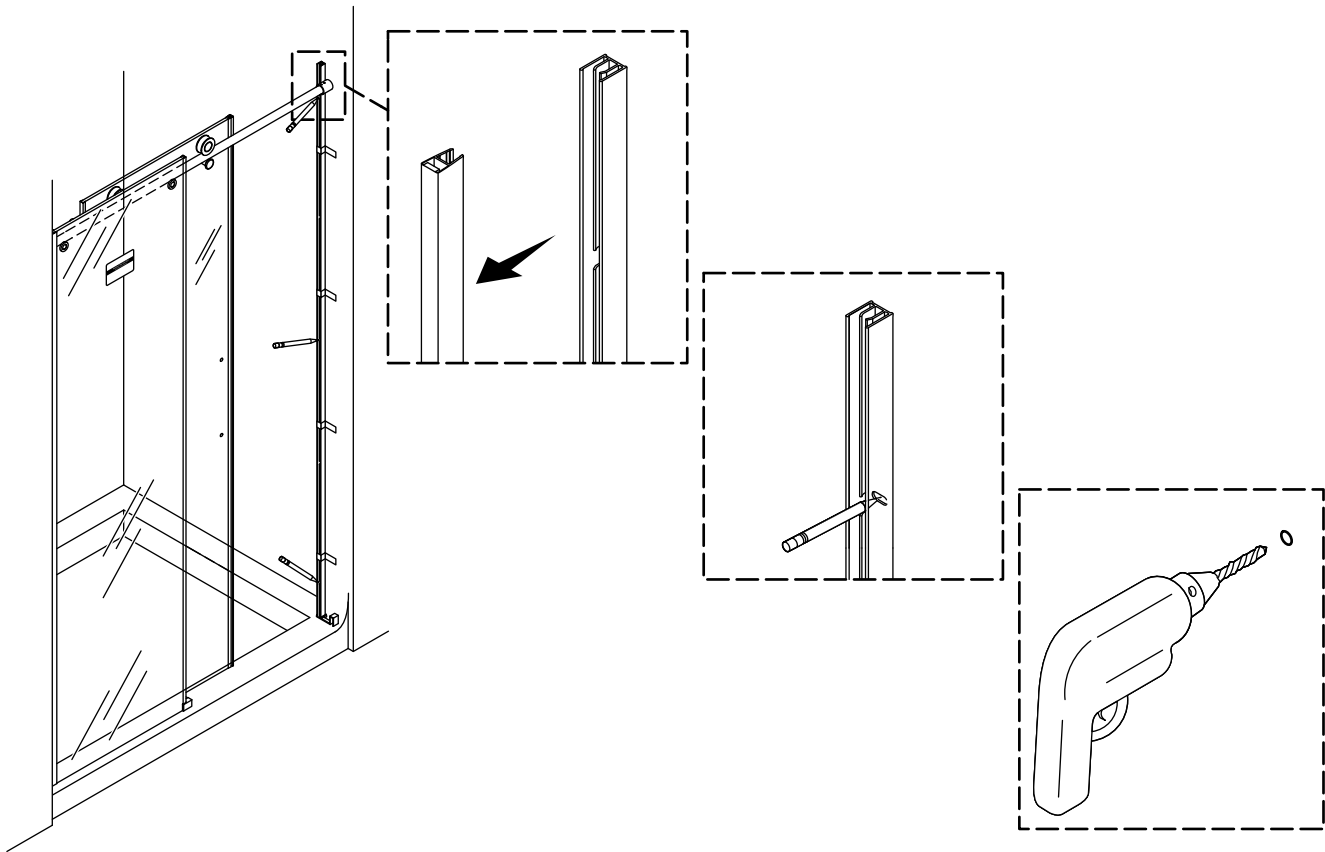
25. Mark the Strike Jamb Location



NOTE: The strike jamb must fit tightly against the threshold cap and the wall.

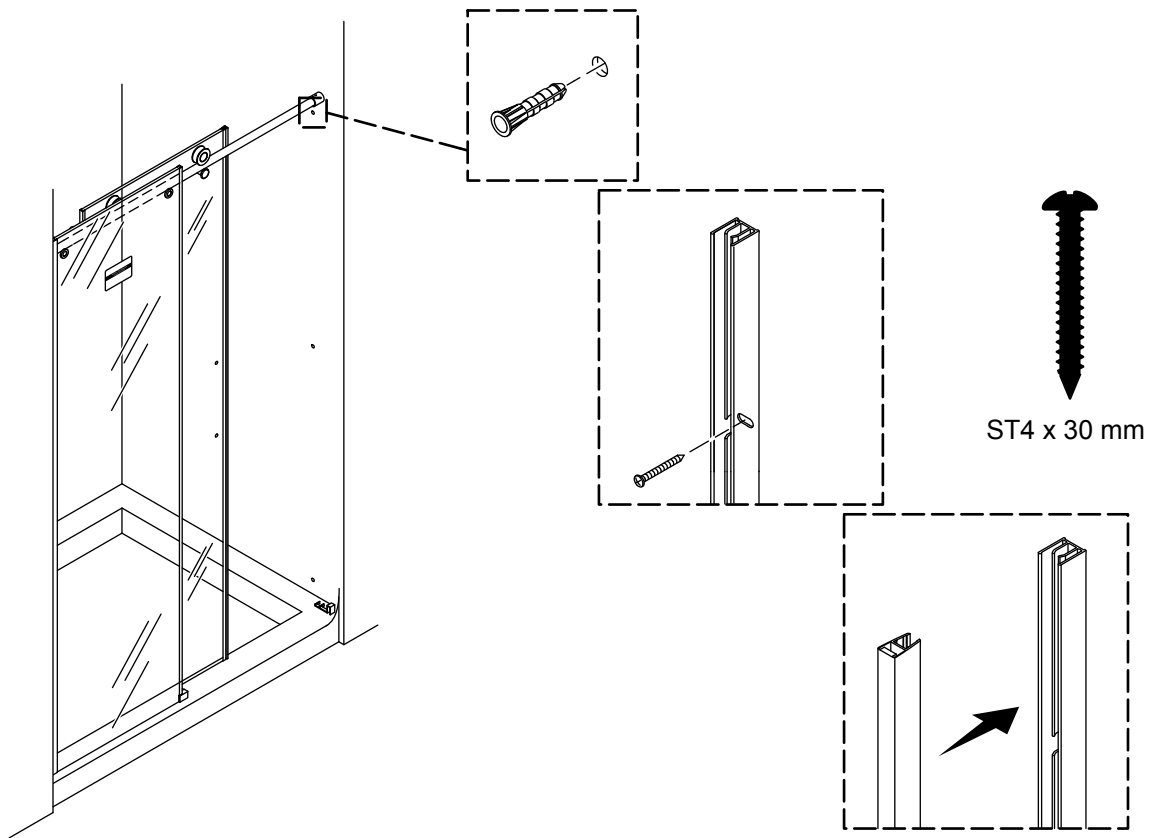
- Attach the magnetic seal to the seal already installed on the edge of the sliding panel.
- Slide the door closed, so that the strike jamb is against the wall.
- Slide the threshold cap underneath the strike jamb while the strike jamb is against the wall.
- Mark the strike jamb location on the wall.

26. Mark the Strike Jamb Holes



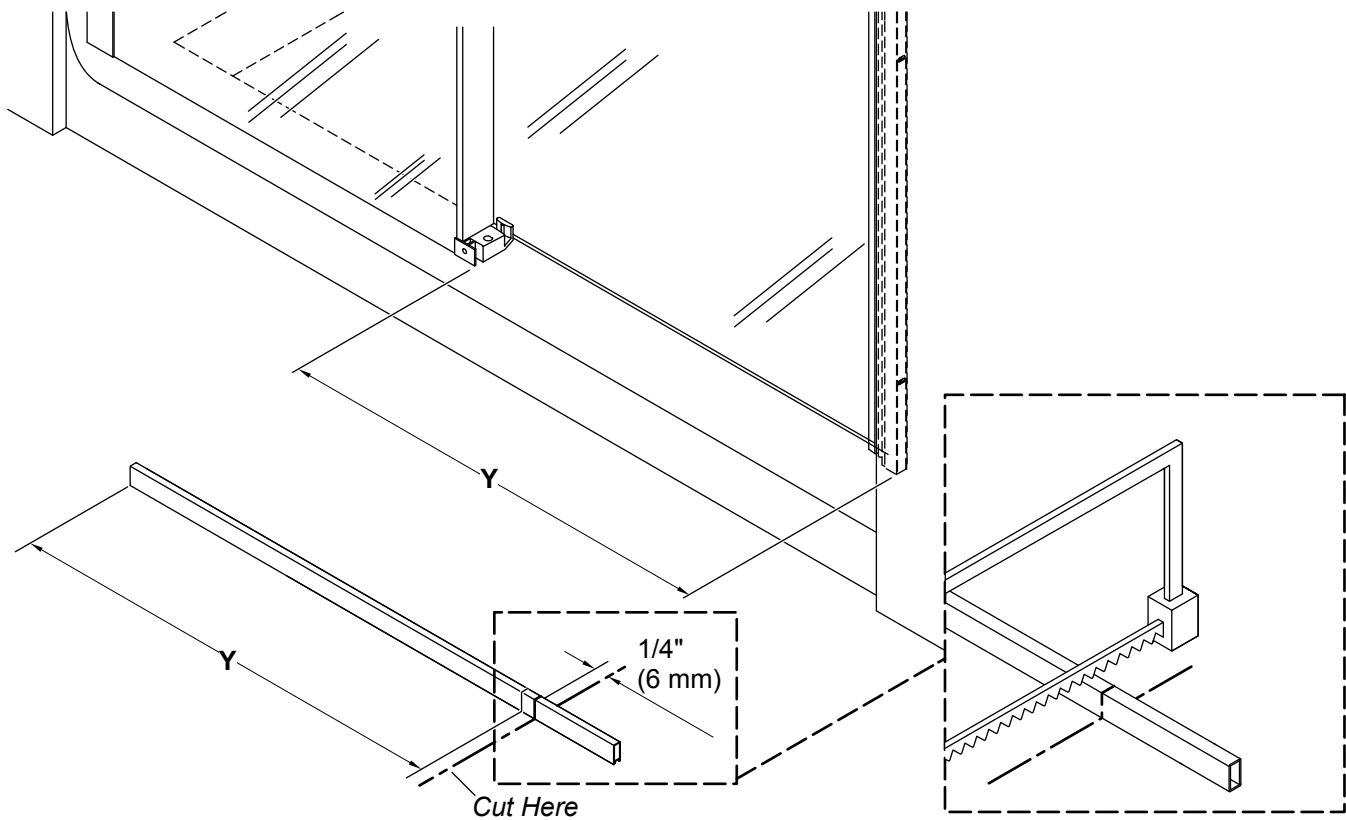
- Open the door and remove the strike jamb with the magnetic seal from the door.
- Remove the magnetic seal from inside the strike jamb.
- Set the strike jamb onto the threshold cap and align with the mark on the wall. Secure with the masking tape.
- Mark the three holes.
- Remove the strike jamb.
- Drill a 1/4" hole at each marked location. Use a masonry bit for tile walls.

27. Install the Strike Jamb



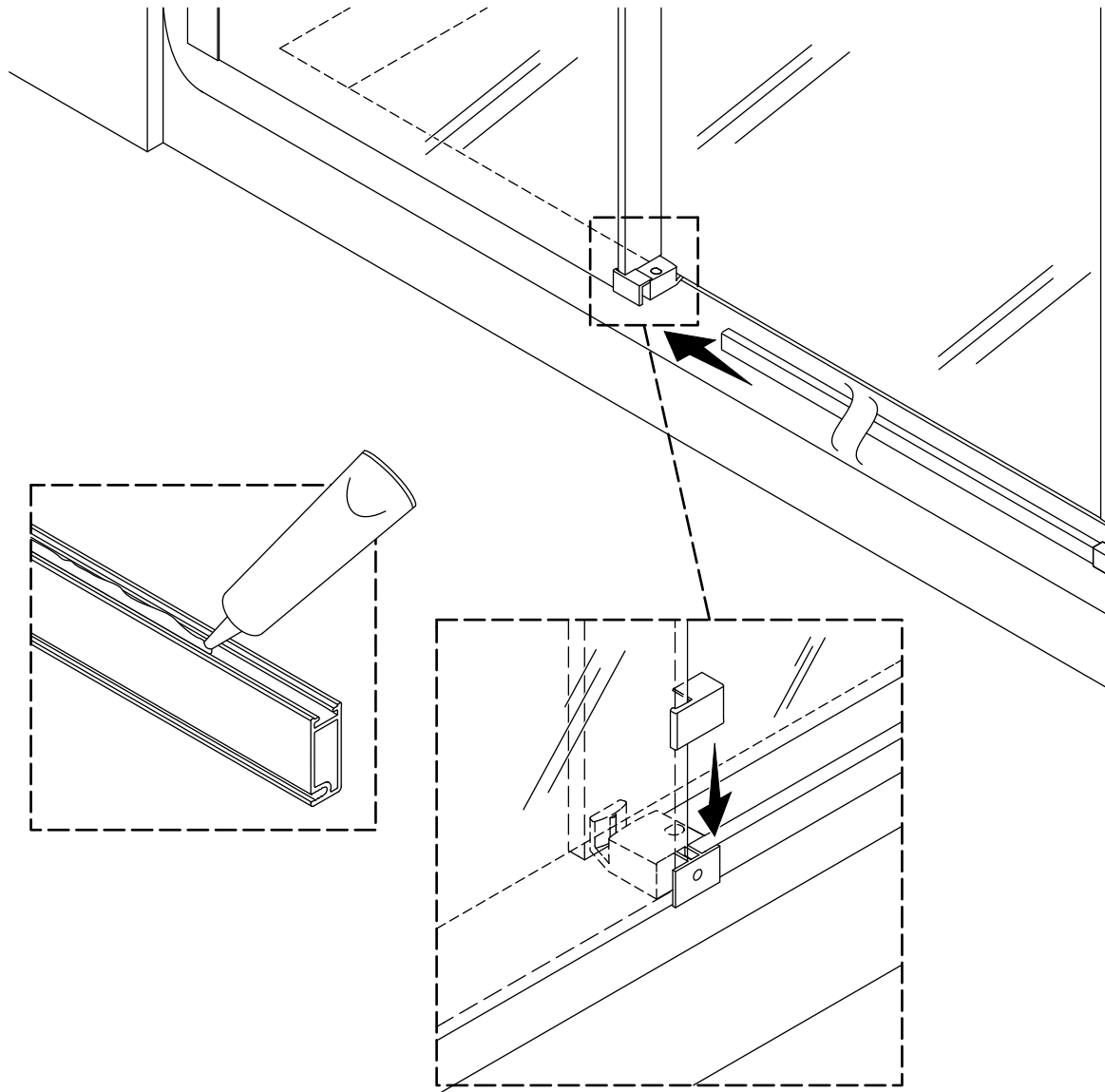
- Install the provided wall anchors. If necessary, gently tap the anchors until the anchors are flush against the wall.
- Replace the strike jamb and align with the anchor holes. Verify that the strike jamb is placed onto the threshold cap before securing.
- Secure the strike jamb to the wall with three of the provided ST4 x 30 mm screws.
- Replace the magnetic seal in the strike jamb.

28. Measure and Cut the Threshold



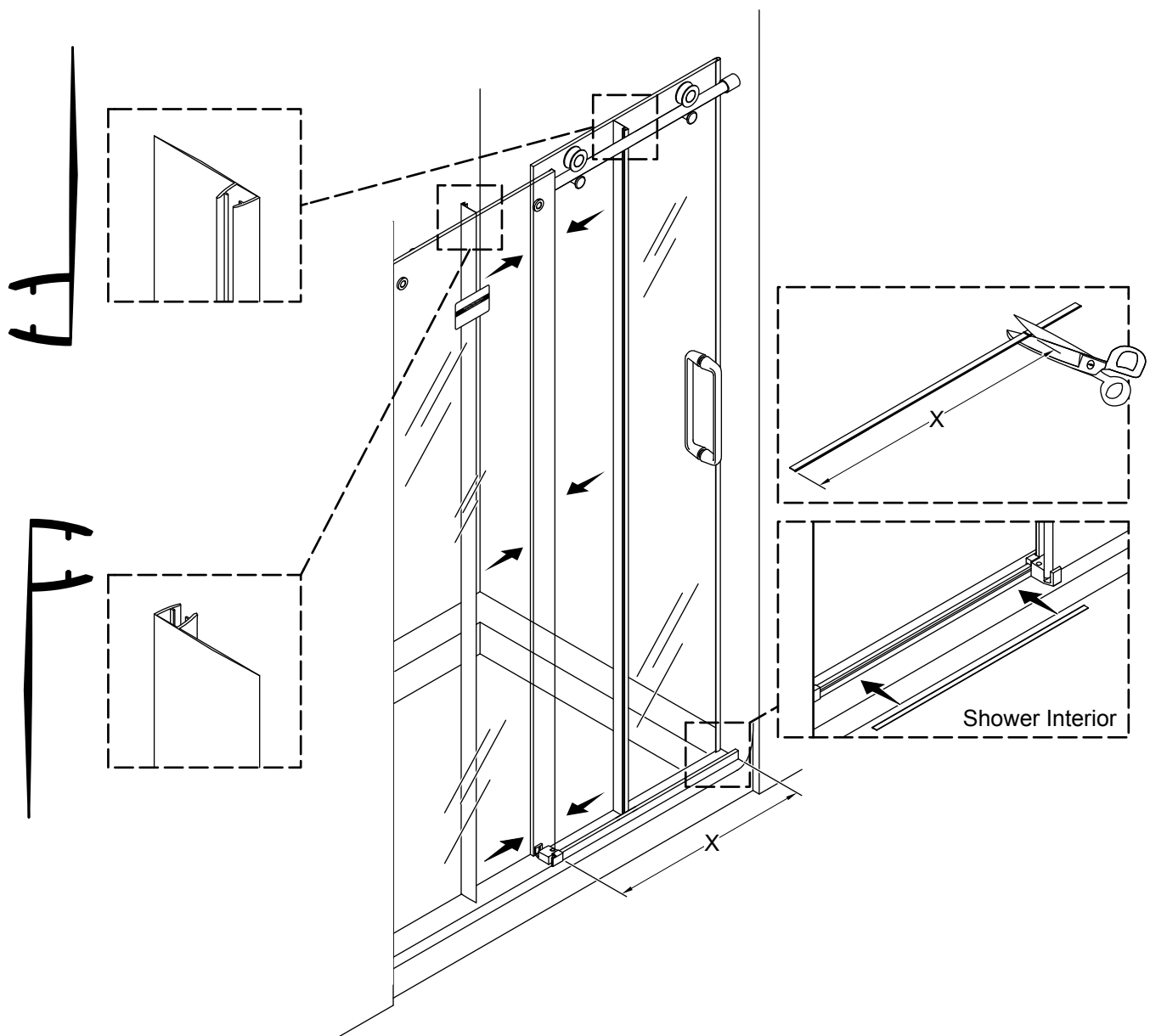
- If needed, shape and file the bottom corner of the threshold and the threshold corner to fit against the shower wall. Use a coin to match and transfer the radius.
- Measure "Y" between the edge of the centerguide and the wall on the strike jamb side.
- Mark "Y" on the threshold.
- Measure 1/4" (6 mm) from "Y" and make a second mark on the threshold as shown.
- Cut the threshold at the second mark and file any rough edges.

29. Install the Threshold



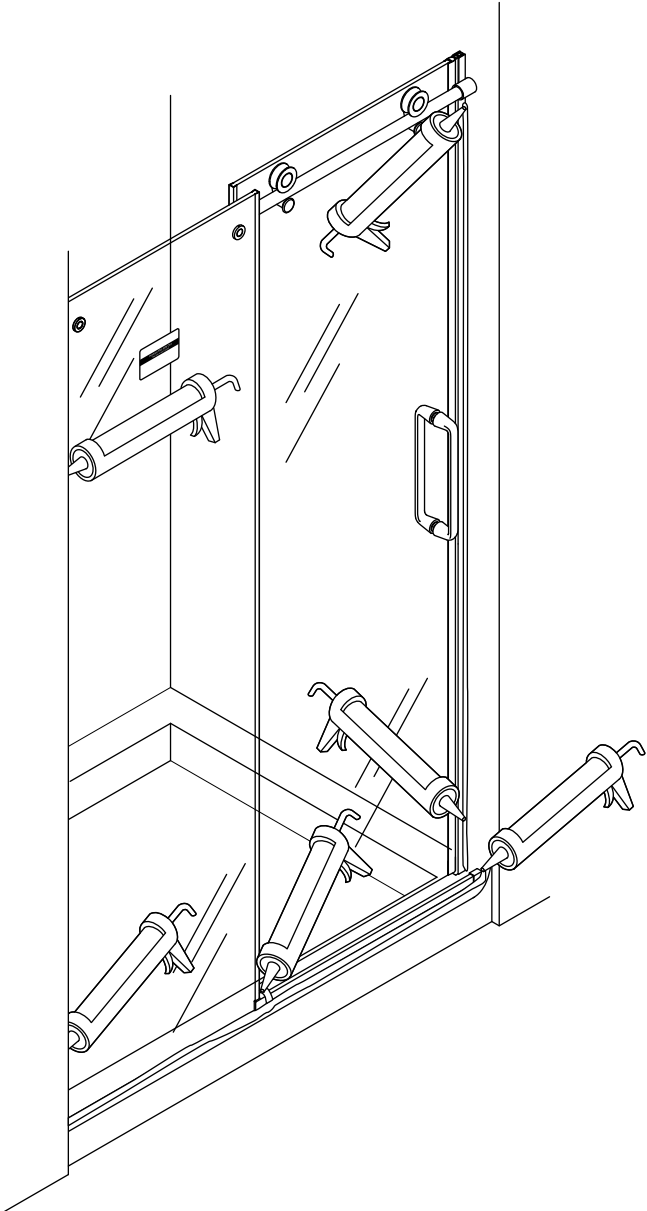
- Apply 100% silicone sealant into the groove(s) on the bottom of the threshold.
- Slide the threshold into the threshold cap and the centerguide.
- Snap the centerguide cap selected in the "Determine the Door Configuration" section down over the centerguide.

30. Install the Wipe Seals



- Press one of the wipe seals onto the edge of the sliding panel. Start at the bottom, lining up the bottom edge of the glass to the bottom edge of the seal.
- Starting at the top of the centerguide, press the other wipe seal onto the edge of the fixed panel as shown.
- Measure the distance between the centerguide and the threshold cap and mark the measurement on the threshold seal.
- Using a scissors, cut the threshold seal at the marked line.
- From the interior of the shower, press the threshold seal into the channel on the threshold.

31. Complete the Installation



□ Apply 100% silicone sealant along all remaining edges on the interior and exterior of the shower.

Troubleshooting

This troubleshooting guide is for general aid only. For service and installation issues or concerns, call 1-800-4KOHLER.

Symptoms	Probable Cause	Recommended Action
1. The door is noisy when opened or closed.	<p>A. The wedge seal between the fixed panel and the wall jamb is missing or not fully installed.</p> <p>B. The centerguide roller is worn or dirty.</p> <p>C. The sliding panel is too low and scrapes on the centerguide or shower base.</p> <p>D. The rollers are worn out and are noisy.</p>	<p>A. Install the wedge seal and push completely into place according to the "Install the Wedge Seal" and "Assemble the Header" sections.</p> <p>B. Remove the sliding panel and clean the centerguide roller. Replace the centerguide if necessary.</p> <p>C. Adjust the rollers to raise the sliding panel by following the instructions in the "Level the Header" section.</p> <p>D. Replace the rollers.</p>
2. The door is hard to move or does not open/close.	<p>A. The sliding panel is too low and scrapes on the centerguide or shower base.</p> <p>B. The centerguide roller is too tight.</p>	<p>A. Adjust the rollers to raise the sliding panel by following the instructions in the "Level the Header" section.</p> <p>B. Adjust the centerguide roller to relieve pressure on the sliding panel according to the instructions in the "Adjust the Door Retainers and Centerguide" section.</p>
3. The sliding panel will not stay closed.	<p>A. The sliding panel is too low and scrapes on the centerguide or shower base.</p>	<p>A. Adjust the rollers to raise the sliding panel by following the instructions in the "Level the Header" section.</p>
4. Water leaks.	<p>A. Water leaks under the fixed panel.</p> <p>B. Water leaks between the wall and wall jamb.</p> <p>C. Water leaks between the sliding panel and the fixed panel.</p>	<p>A. Apply 100% silicone sealant to the outside bottom edge of the fixed panel. Allow sealant to cure according to the manufacturer's instructions before using the shower.</p> <p>B. Apply 100% silicone sealant where the wall meets the wall jamb, both inside and outside the shower. Allow sealant to cure according to the manufacturer's instructions before using the shower.</p> <p>C. Verify that the vertical wipe seals are correctly installed.</p>

Instructions d'installation

Porte de douche coulissante

Merci d'avoir choisi KOHLER

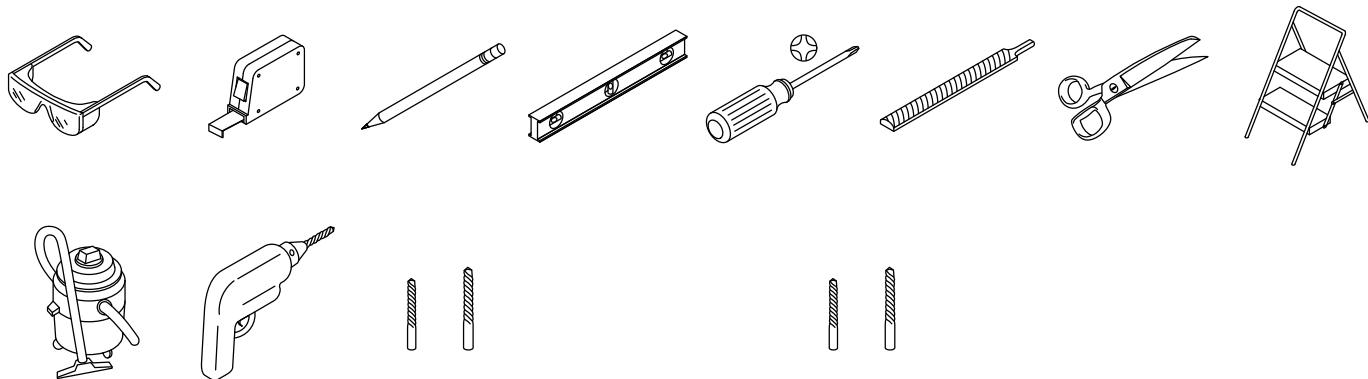
Besoin d'aide? Appeler notre centre de services à la clientèle.

- USA/Canada : 1-800-4KOHLER (1-800-456-4537) Mexique : 001-800-456-4537
- Pièces d'entretien : kohler.com/serviceparts
- Entretien et nettoyage : kohler.com/clean
- Brevets : kohlercompany.com/patents

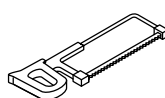
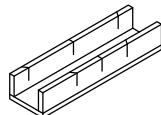
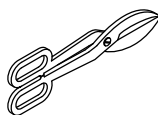
Garantie

Ce produit est couvert sous la garantie limitée de dix ans des portes de baignoires et de douches KOHLER®, fournie sur le [site kohler.com/warranty](http://site.kohler.com/warranty). Pour obtenir une copie imprimée des termes de la garantie, s'adresser au centre de services à la clientèle.

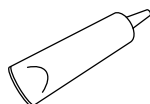
Outils et matériel



5/16 po, 1/4 po Mèches de maçonnerie pour carrelage : 5/16 po, 1/4 po



Cisailles de ferblantier Boîte à onglets Lame de 32 dents par pouce Ruban-cache



Mastic d'étanchéité à la silicone à 100 % Gants de protection

Plus :

- Scie à tronçonner qui coupe le métal ou scie de tronçonnage
- Flacon pulvérisateur

Avant de commencer

- ⚠ AVERTISSEMENT : Risque de blessures graves.** Des dommages avant l'installation peuvent entraîner des éclatements de verre. Inspecter le verre et toutes les pièces pour y rechercher des dommages éventuels avant l'installation.
- ⚠ AVERTISSEMENT : Risque de blessures graves.** Une installation incorrecte peut entraîner des éclatements de verre. Suivre toutes les instructions d'installation.
- ⚠ AVERTISSEMENT : Risque de blessures graves.** Ne pas couper le verre trempé. Le verre trempé éclate lorsqu'il est coupé.
- ⚠ AVERTISSEMENT : Risque de blessures graves.** Les panneaux de porte de la douche peuvent éclater. Inspecter régulièrement le verre et toutes les pièces pour y rechercher des dommages, ou des pièces manquantes ou desserrées.
- ⚠ AVERTISSEMENT : Risque de blessures graves.** Toujours porter des lunettes de sécurité pendant la découpe et le perçage.
- ⚠ ATTENTION : Risque de blessures.** Le verre trempé ne doit pas entrer en contact avec des surfaces dures, car le verre risquerait de se briser. Ne pas toucher le bord du panneau de verre trempé avec des outils ou des objets durs.
- ⚠ ATTENTION : Risque de blessures.** Le verre trempé pourrait éclater. Porter des manches longues et des vêtements de protection pour prévenir les blessures en cas d'éclatement de verre.

IMPORTANT! Laisser ce manuel pour l'utilisateur final. Lire toutes les instructions avant d'installer ou d'utiliser ce produit.

IMPORTANT! Cette porte est conçue pour s'adapter à des murs qui sont hors d'aplomb de moins de jusqu'à 3/8 po (10 mm). Vérifier que la zone sur laquelle la porte sera fixée est comprise dans un rayon de 3/8 po (10 mm) de l'aplomb. La porte risque de ne pas fonctionner correctement si le mur est hors d'aplomb de plus de 3/8 po (10 mm).

IMPORTANT! Ne pas installer cette porte sur une base de douche en fonte.

IMPORTANT! Ne pas retirer les protecteurs de coins des panneaux de porte avant d'avoir installé ces derniers.

REMARQUE : La poignée en question pourrait être différente de celle qui est illustrée. Les étapes d'installation restent les mêmes.

Recouvrir le drain avec du ruban adhésif afin d'éviter de perdre les petites pièces.

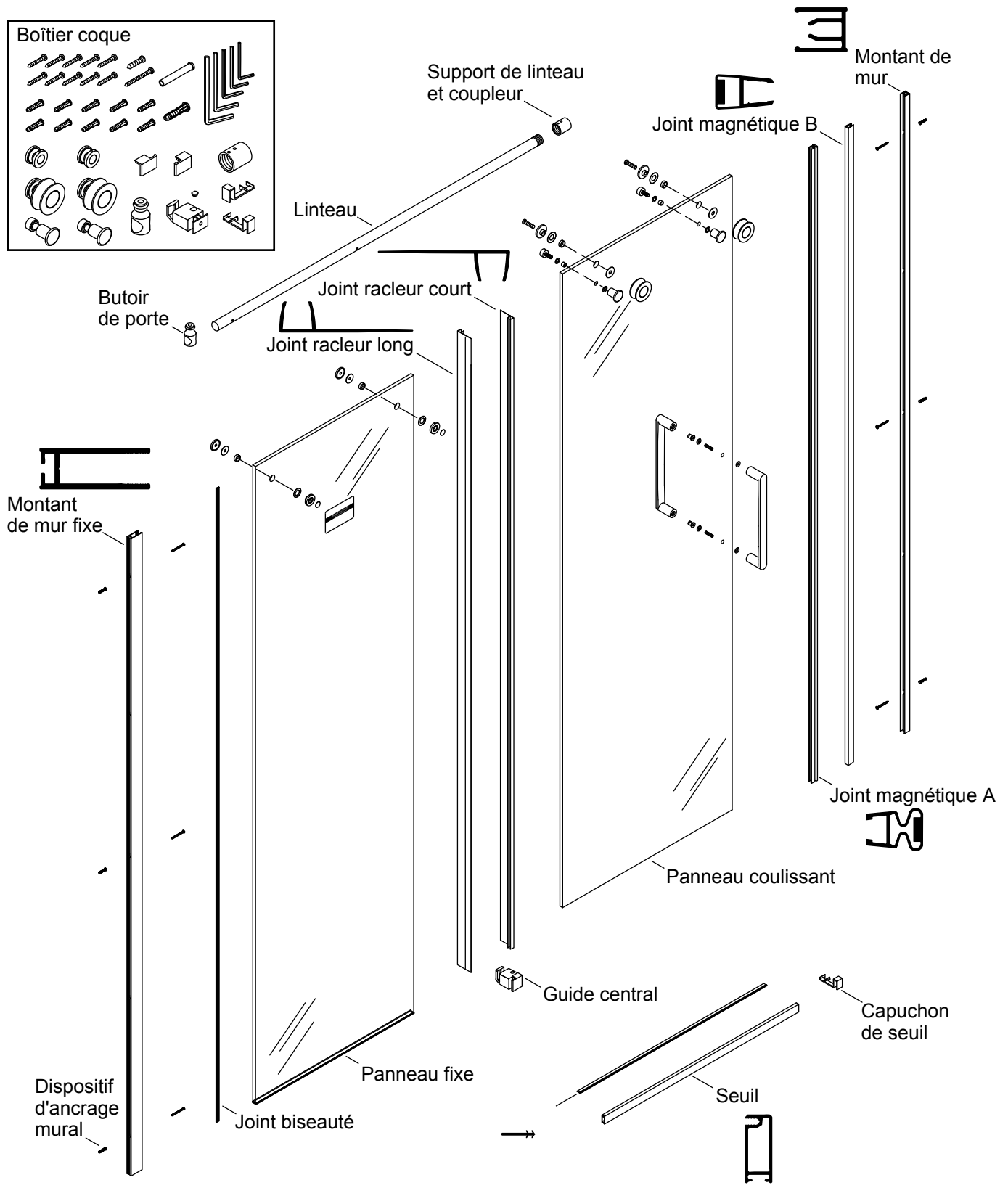
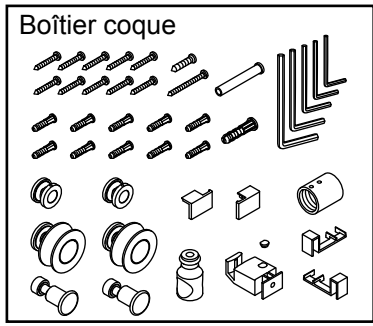
Identifier toutes les pièces avant l'installation. Vérifier qu'elles sont en bon état.

Suivre les instructions du fabricant du mastic d'étanchéité à la silicone en ce qui concerne l'application et le temps de prise.

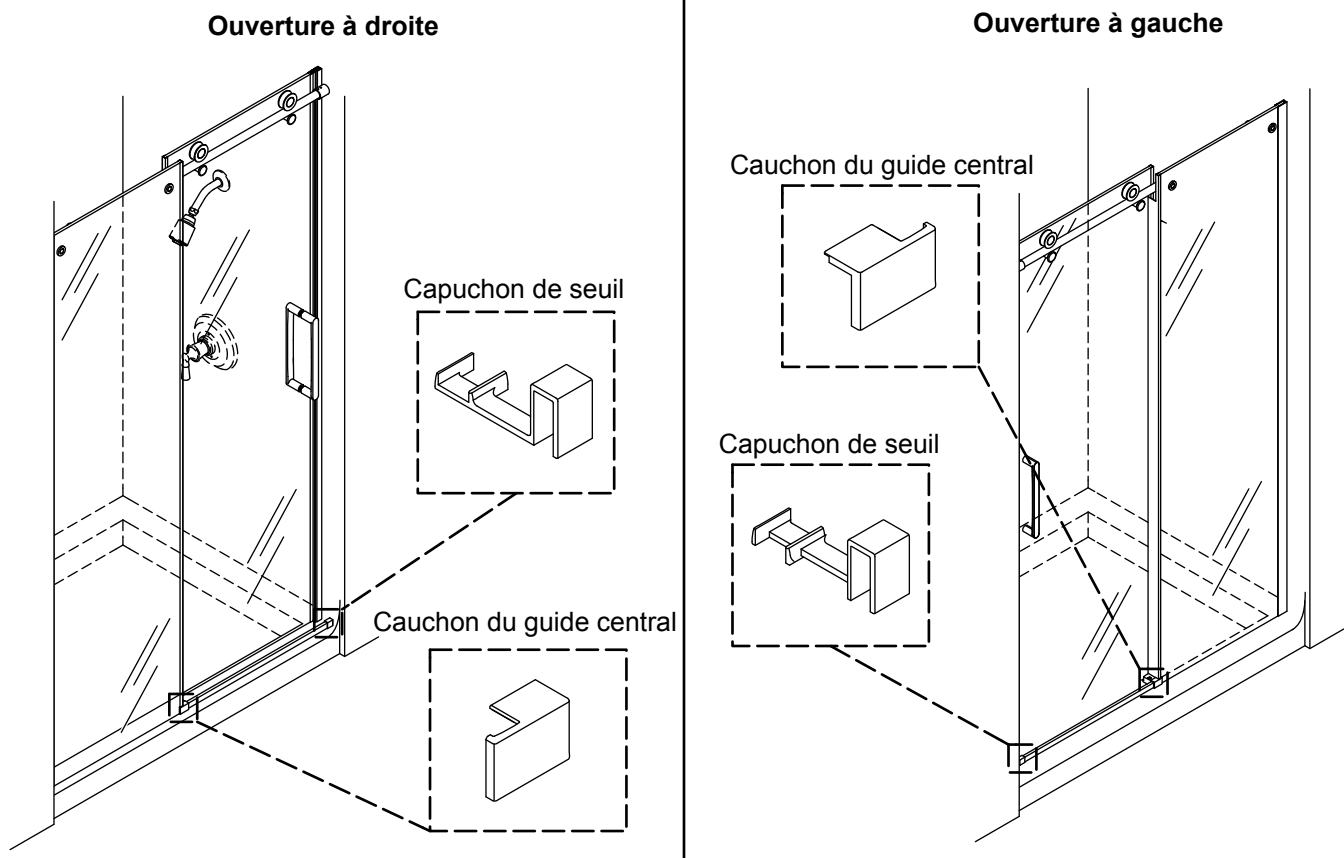
Deux personnes doivent effectuer cette installation.

Le panneau fixe devrait être installé sur le côté se trouvant à l'opposé de la pomme de douche.

Identification des pièces



1. Déterminer la configuration de la porte



IMPORTANT! Une configuration avec ouverture à droite est indiquée dans les étapes d'installation sauf sur indication contraire.

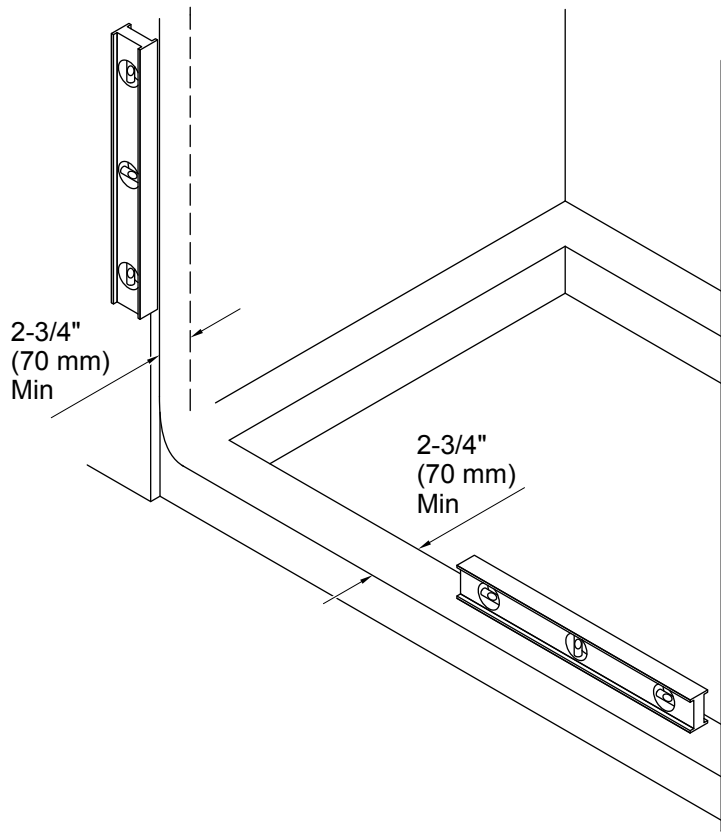
Déterminer si la porte sera installée dans une configuration avec ouverture à droite ou à gauche.

Il est recommandé d'installer le panneau coulissant sur le même côté de la douche que celui de la pomme de douche.

Choisir le couvercle de guide central qui correspond à la configuration de la porte.

Choisir le couvercle de seuil qui correspond à la configuration de la porte.

2. Vérifier la compatibilité entre le rebord et le mur



IMPORTANT! Pour un alignement et un fonctionnement adéquats de la porte, vérifier que les murs et la base de la douche sont conformes aux conditions requises suivantes. Ne pas installer la porte si ces conditions requises ne sont pas présentes.

IMPORTANT! Ne pas installer cette porte sur une base de douche en fonte.

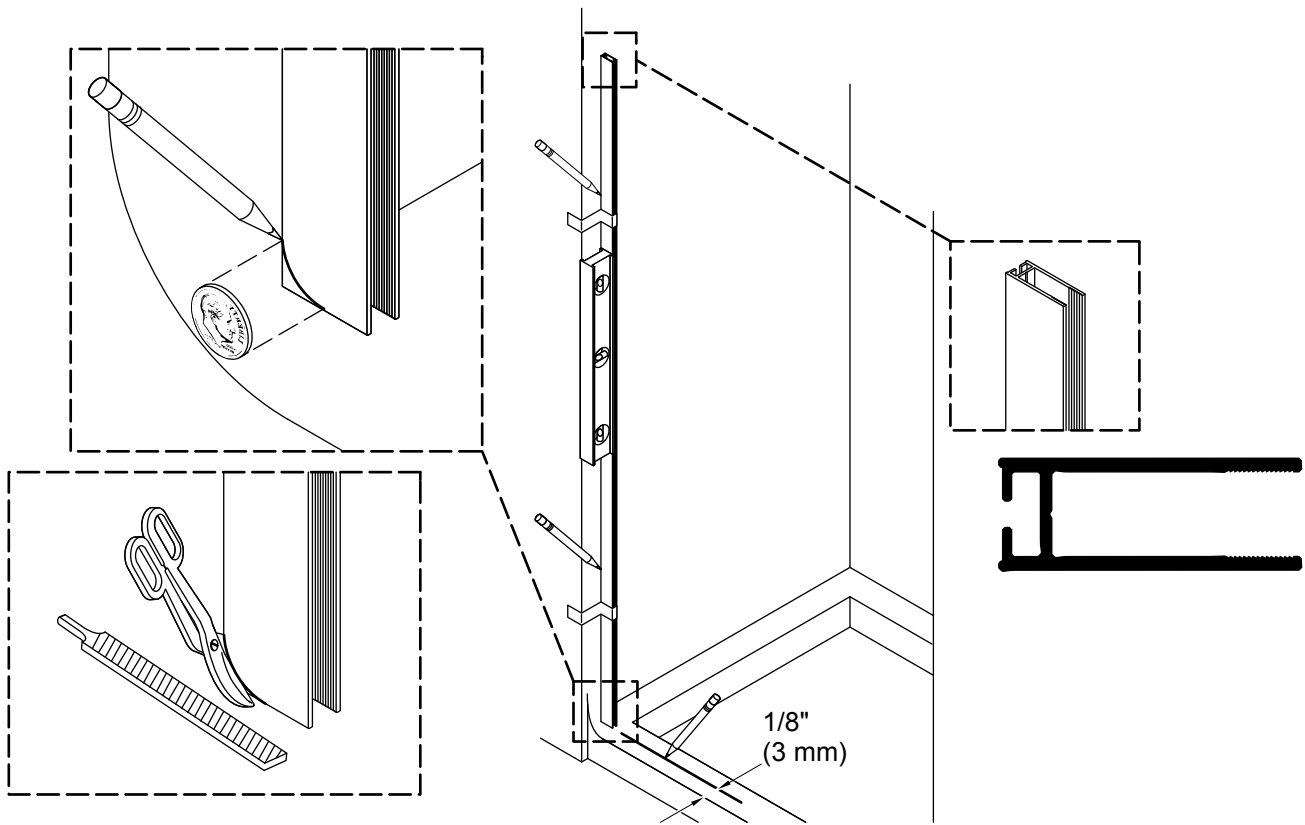
REMARQUE : Consulter la fiche de spécifications pour vérifier la largeur de porte adéquate.

Une surface plate de 2-3/4 po (70 mm) au moins doit être présente sur la base de la douche et les murs.

Les murs doivent être compris dans un rayon de 3/8 po (10 mm) de l'aplomb.

La base de la douche doit être à niveau entre les murs.

3. Préparer le montant mural

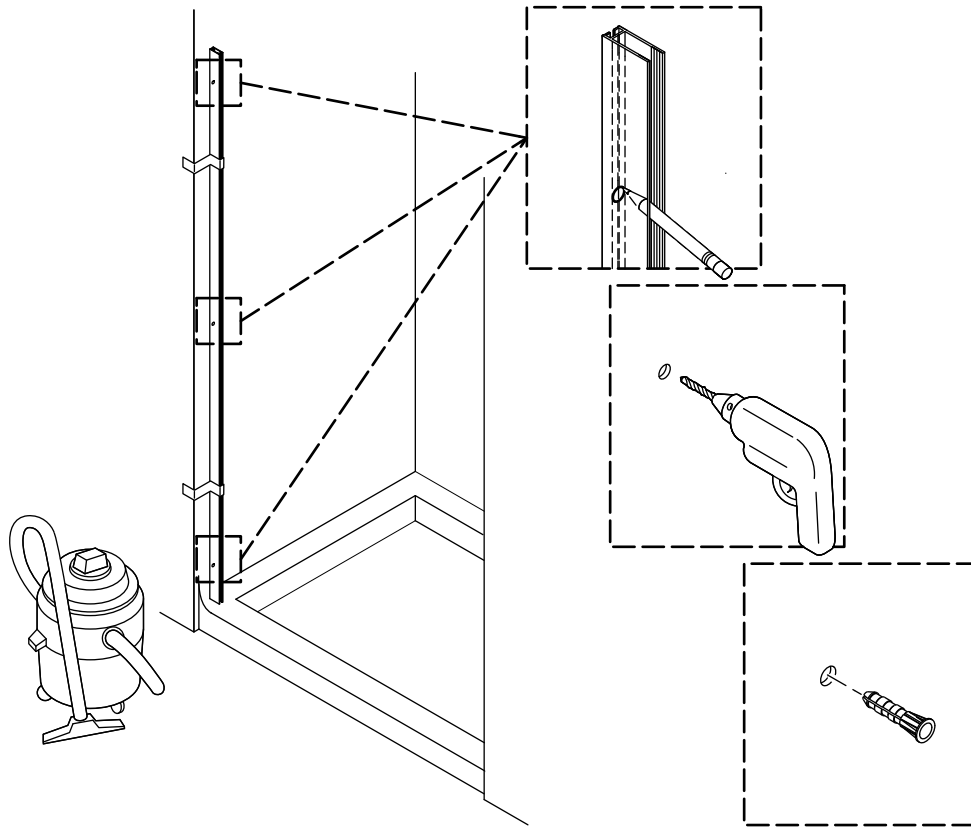


IMPORTANT! Le montant mural doit bien s'adapter contre la base de la douche et le mur.

IMPORTANT! Une configuration avec ouverture à droite est indiquée dans les étapes d'installation sauf sur indication contraire.

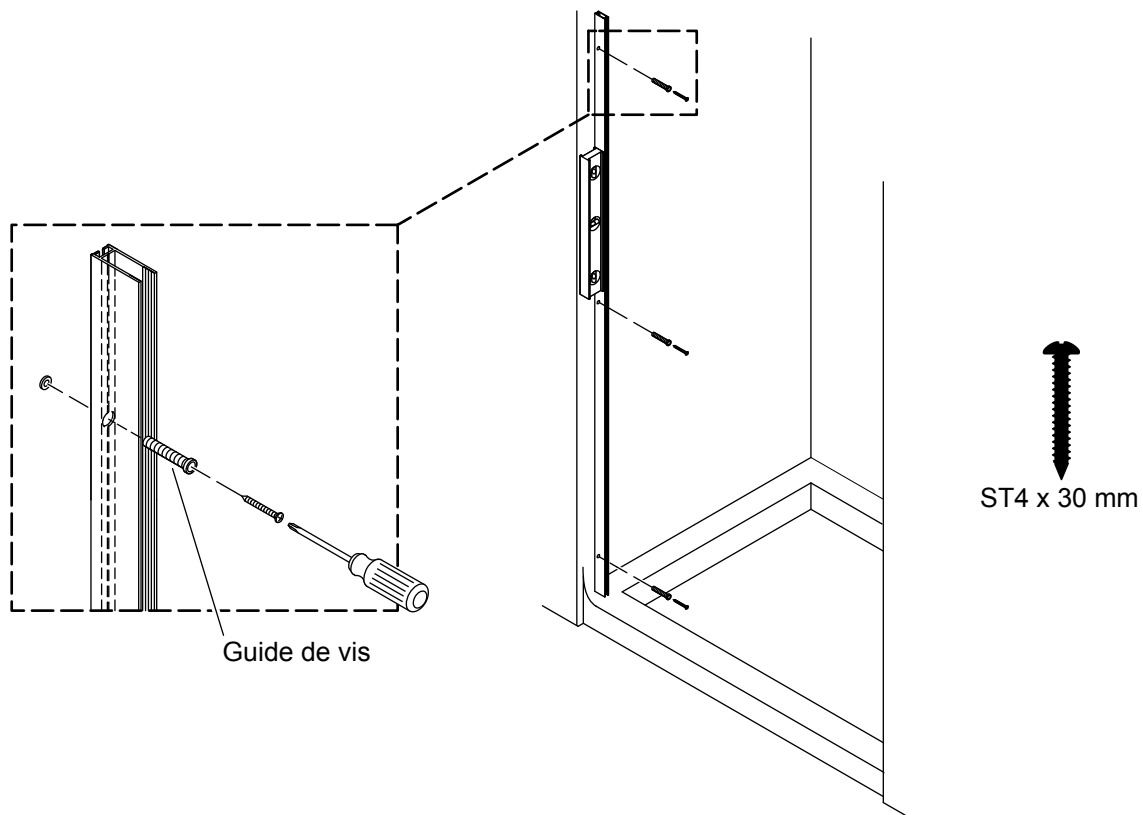
- Positionner le montant mural contre le mur de manière à ce qu'il se trouve dans un rayon de 1/8 po (3 mm) de l'avant de la base de la douche comme sur l'illustration. Si la base de la douche est dotée d'une lèvres avant, mesurer la surface plate à l'intérieur du rebord de la lèvres.
- Au besoin, former et limer le coin inférieur pour qu'il s'adapte contre le mur de la douche. Utiliser une pièce de monnaie pour faire correspondre et transférer le rayon de bec.
- Mettre le montant mural d'aplomb.
- Attacher le montant mural en place de manière sécuritaire avec du ruban adhésif et marquer l'emplacement du montant mural.

4. Marquer les trous du montant mural



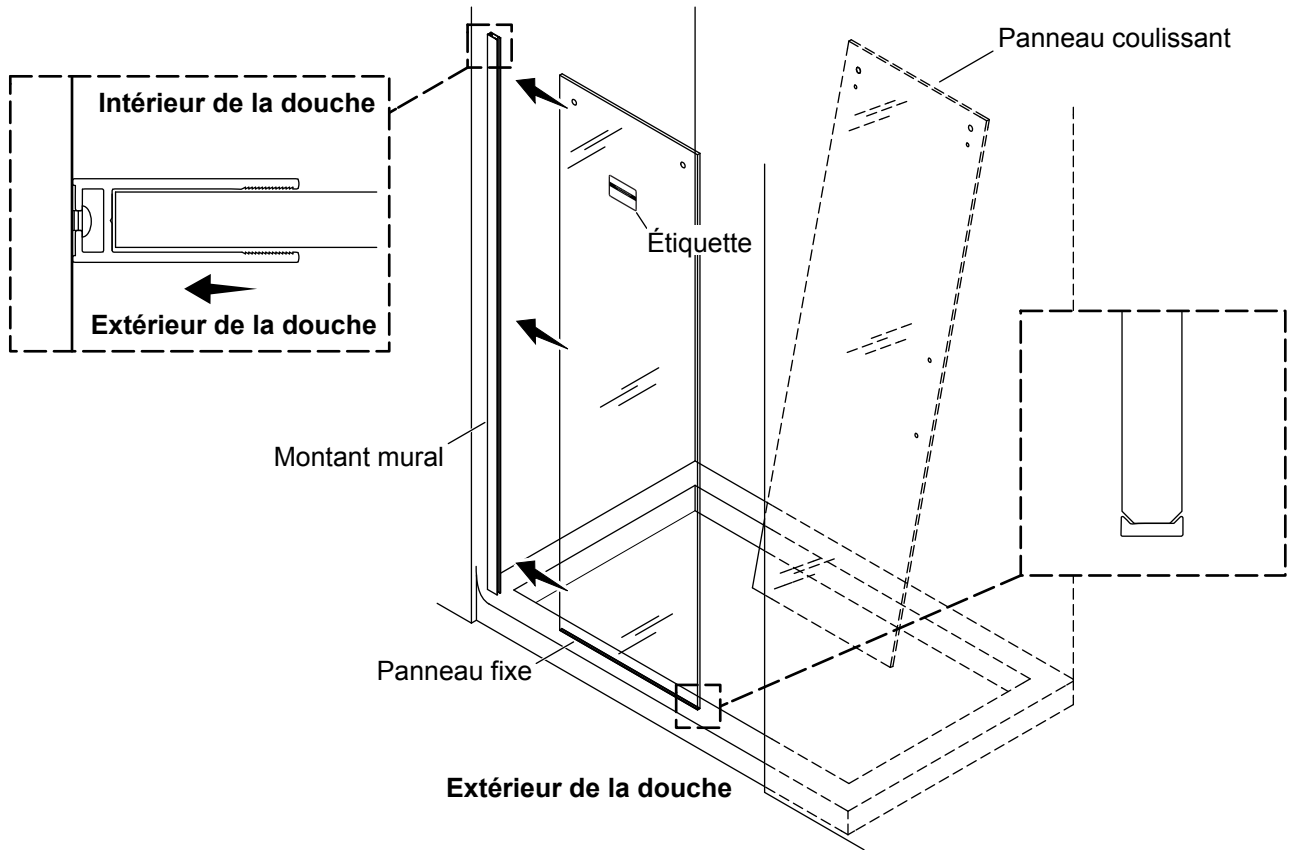
- Marquer au crayon les emplacements des trois trous des chevilles d'ancrage du montant mural.
- Retirer le montant mural et le mettre de côté.
- Percer un trou de 1/4 po à chaque emplacement marqué. Utiliser une mèche à maçonnerie pour les murs à carrelage.
- Installer les chevilles d'ancrage mural fournies. Si nécessaire, taper doucement sur les chevilles d'ancrage jusqu'à ce qu'elles soient à ras du mur.
- Bien nettoyer la base et les murs de la douche.

5. Installer le montant mural



- Repositionner le montant mural, en l'alignant avec les trous des chevilles d'ancrage. Vérifier que le montant mural est d'aplomb.
- Utiliser le guide de vis pour aligner et démarrer chaque vis. Serrer à la main seulement.
- Fixer le montant mural avec trois des vis ST4 x 30 mm fournies.

6. Installer le panneau fixe



⚠ AVERTISSEMENT : Le panneau fixe n'est pas sécurisé dans le montant mural tant que le joint biseauté et le linteau n'ont pas été installés. Procéder avec soin jusqu'à ce que l'installation soit terminée.

⚠ ATTENTION : Risque d'endommagement du produit. Vérifier que le joint d'étanchéité en plastique transparent est présent sur le bord inférieur du panneau fixe pour empêcher d'endommager le verre.

IMPORTANT! Le panneau coulissant doit être déplacé dans la zone de la douche avant d'installer le linteau.

IMPORTANT! L'étiquette se trouvant sur le panneau fixe doit être tournée vers l'extérieur de la douche.

REMARQUE : Effectuer la procédure suivante avec deux personnes.

REMARQUE : Le panneau fixe comprend deux trous seulement dans le haut.

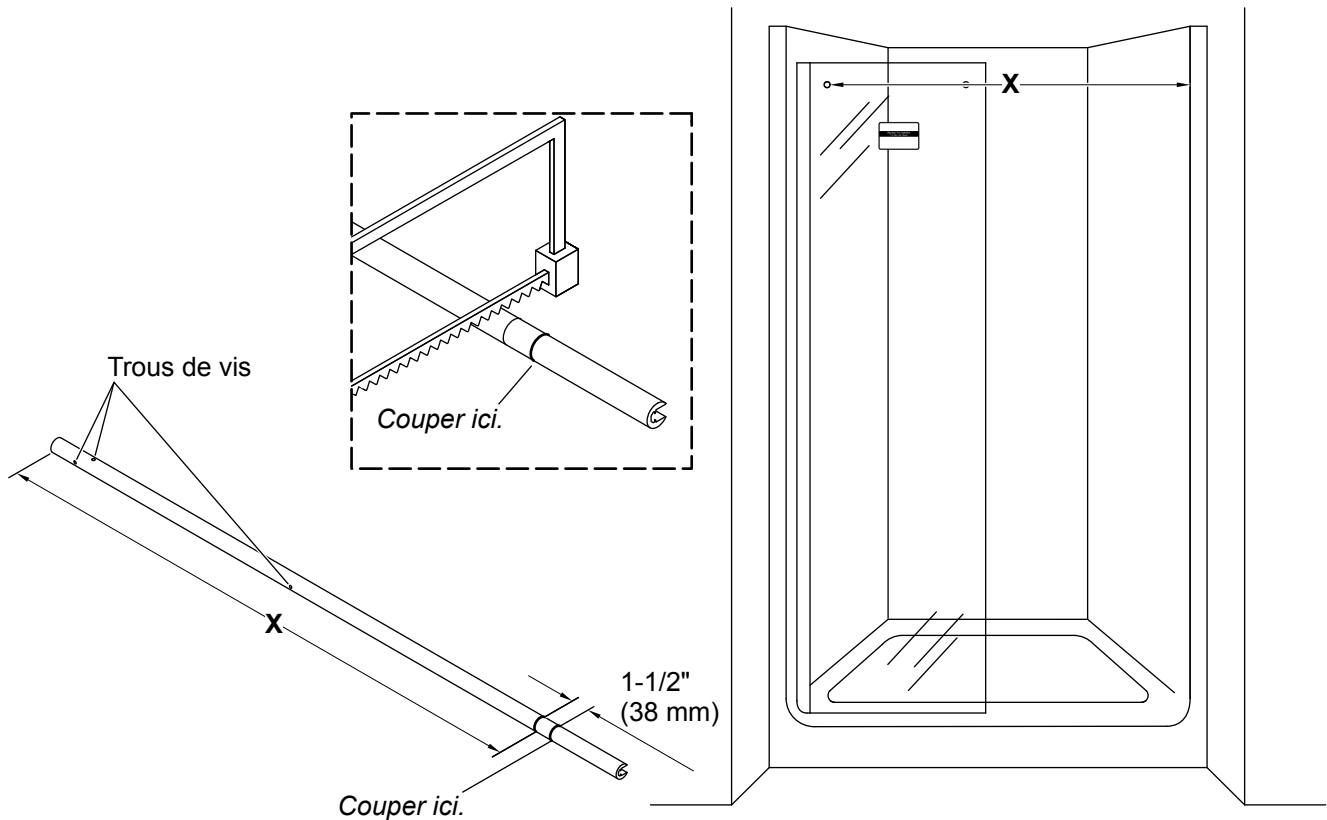
- Avec de l'aide, déplacer entièrement le panneau coulissant dans la zone de la douche.
- Orienter le panneau coulissant avec les trous sur le haut et les trous de la poignée dirigés vers la pomme de douche.

REMARQUE : Ne pas retirer les protecteurs de coins du panneau coulissant.

REMARQUE : Le panneau coulissant reste dans la zone de la douche jusqu'à l'installation dans la section « Installer le panneau coulissant ».

- Retirer les protecteurs de coins du panneau fixe.
- Avec de l'aide, déplacer et positionner le panneau fixe avec l'étiquette tournée vers l'extérieur de la douche et les trous sur le haut.

7. Mesurer et couper le linteau

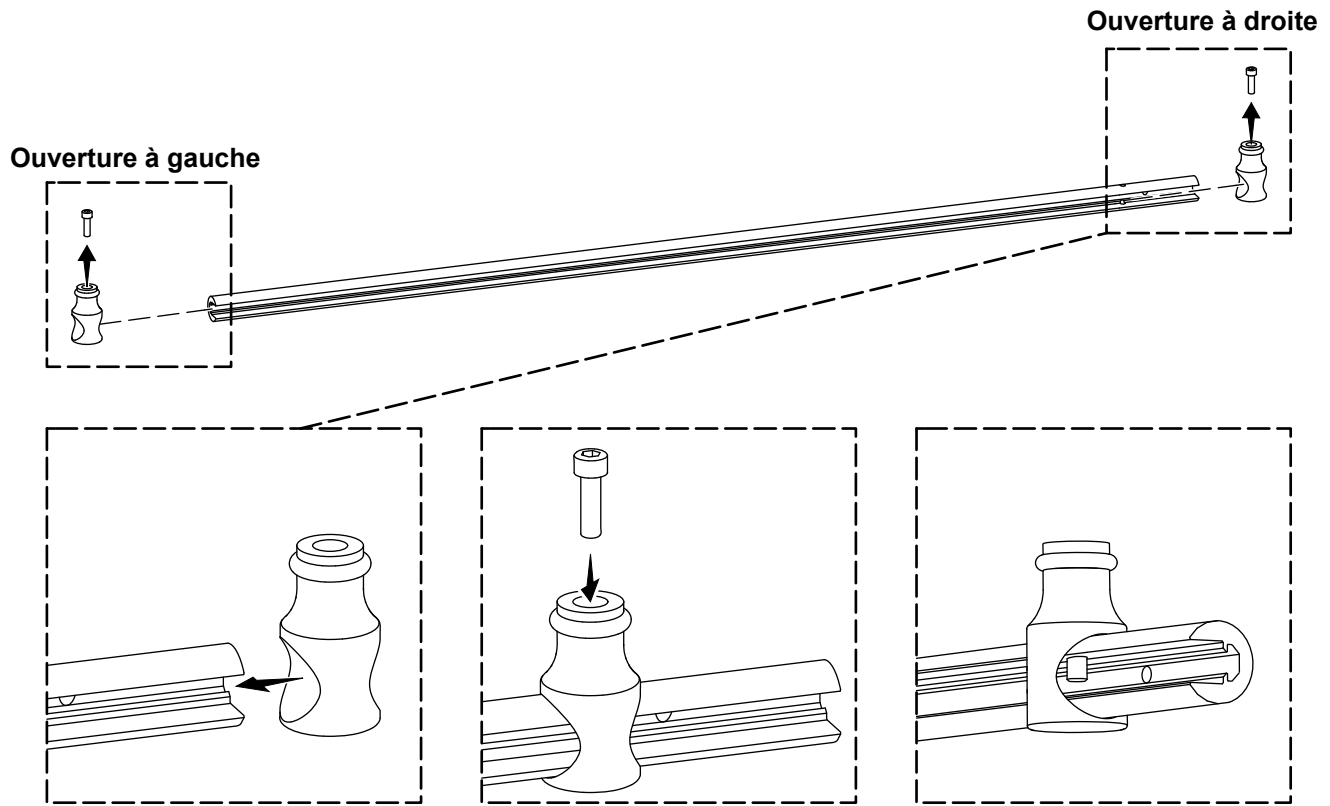


IMPORTANT! Vérifier les mesures avant de couper. Ne pas couper le linteau trop court.

AVIS : Une scie à tronçonner qui coupe le métal ou une scie de tronçonnage est recommandée pour couper le linteau. Si non disponible, une scie à métaux et une boîte à onglet seront suffisantes.

- Identifier le trou du panneau fixe le plus proche du mur. Mesurer « X » à partir du centre de ce trou jusqu'au mur opposé, comme sur l'illustration.
- Mesurer « X » à partir de l'extrémité du linteau le plus proche des trous de vis. Poser un repère au niveau du « X » sur le linteau.
- Mesurer une distance de 1-1/2 po (38 mm) supplémentaire à partir du « X » comme sur l'illustration et poser un deuxième repère sur le linteau. Si le deuxième repère atterrit au-delà de l'extrémité du linteau, il ne sera pas nécessaire de couper le linteau.
- Couper le linteau au niveau du deuxième repère.
- Limer tous les bords rugueux.

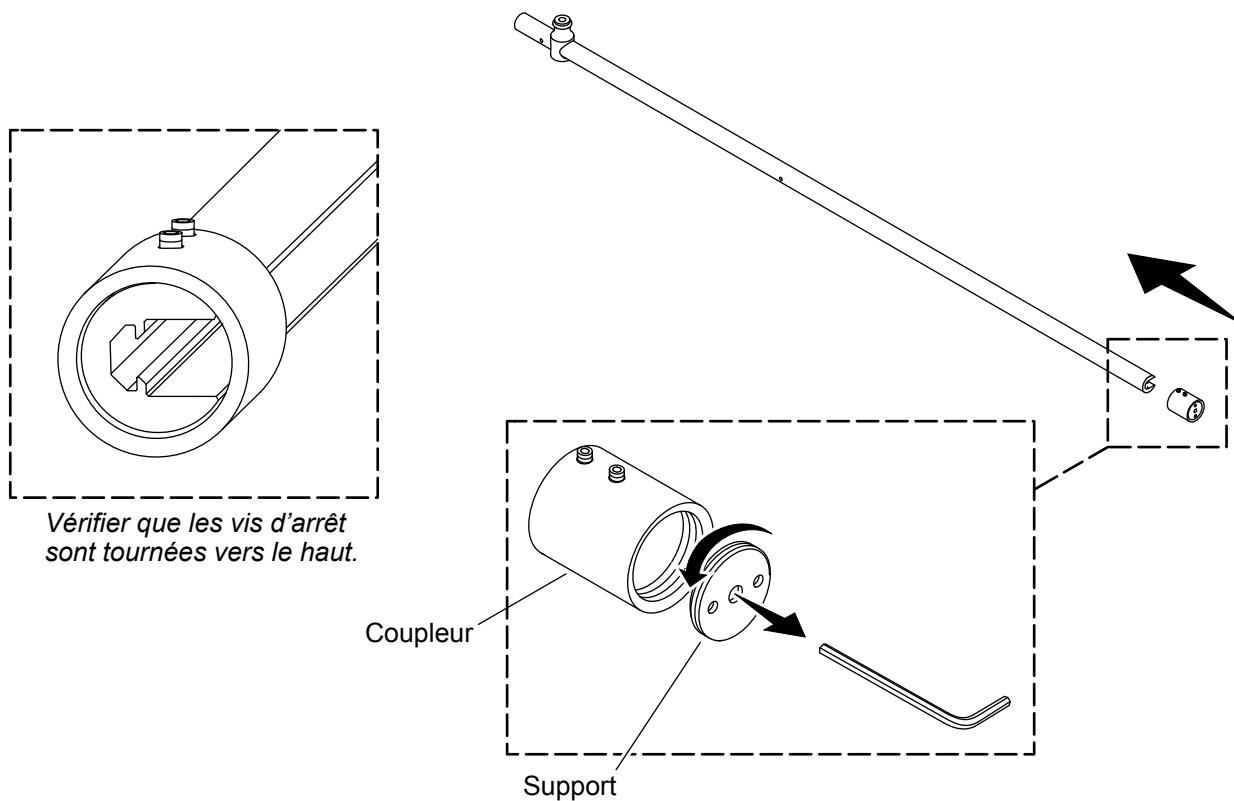
8. Installer le butoir de la porte



REMARQUE : Installer le butoir conformément à la configuration de porte souhaitée.

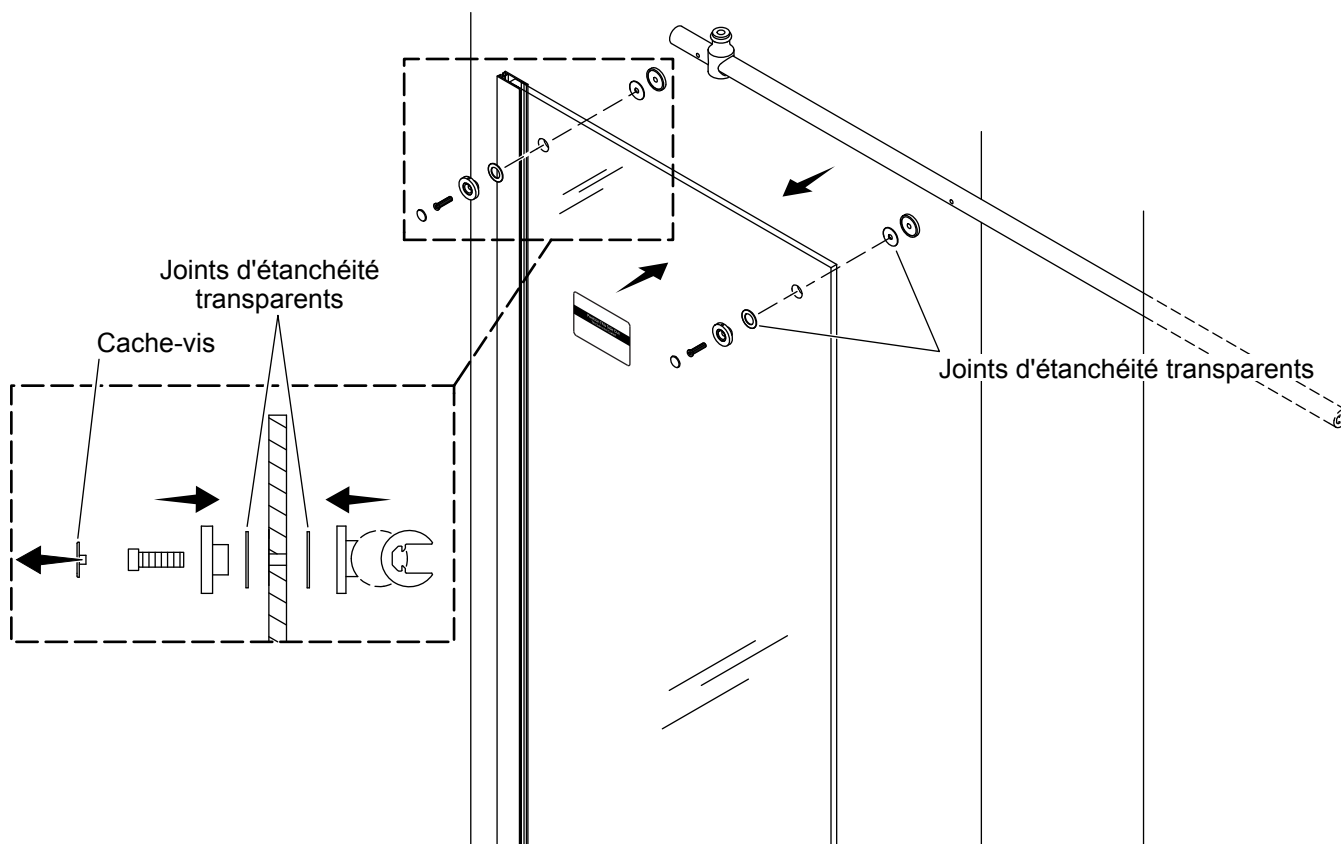
- Retirer la vis à épaulement du butoir de la porte.
- Glisser le butoir de la porte par-dessus le linteau sur le côté avec les trous filetés.
- Aligner le butoir de la porte avec le trou de linteau vertical comme sur l'illustration, et insérer la vis à épaulement.
- Serrer la vis à épaulement avec la clé hexagonale de 5 mm fournie.

9. Installer le coupleur



- Glisser le coupleur sur l'extrémité du linteau jusqu'à ce que ce dernier entre en contact avec le support.
- Vérifier que les vis d'arrêt sont tournées vers le haut.
- Serrer légèrement la vis d'arrêt dans le milieu du coupleur avec la clé hexagonale de 2,5 mm fournie pour maintenir le coupleur en place.
- Désenfiler le support du coupleur et mettre le support de côté.

10. Installer le linteau

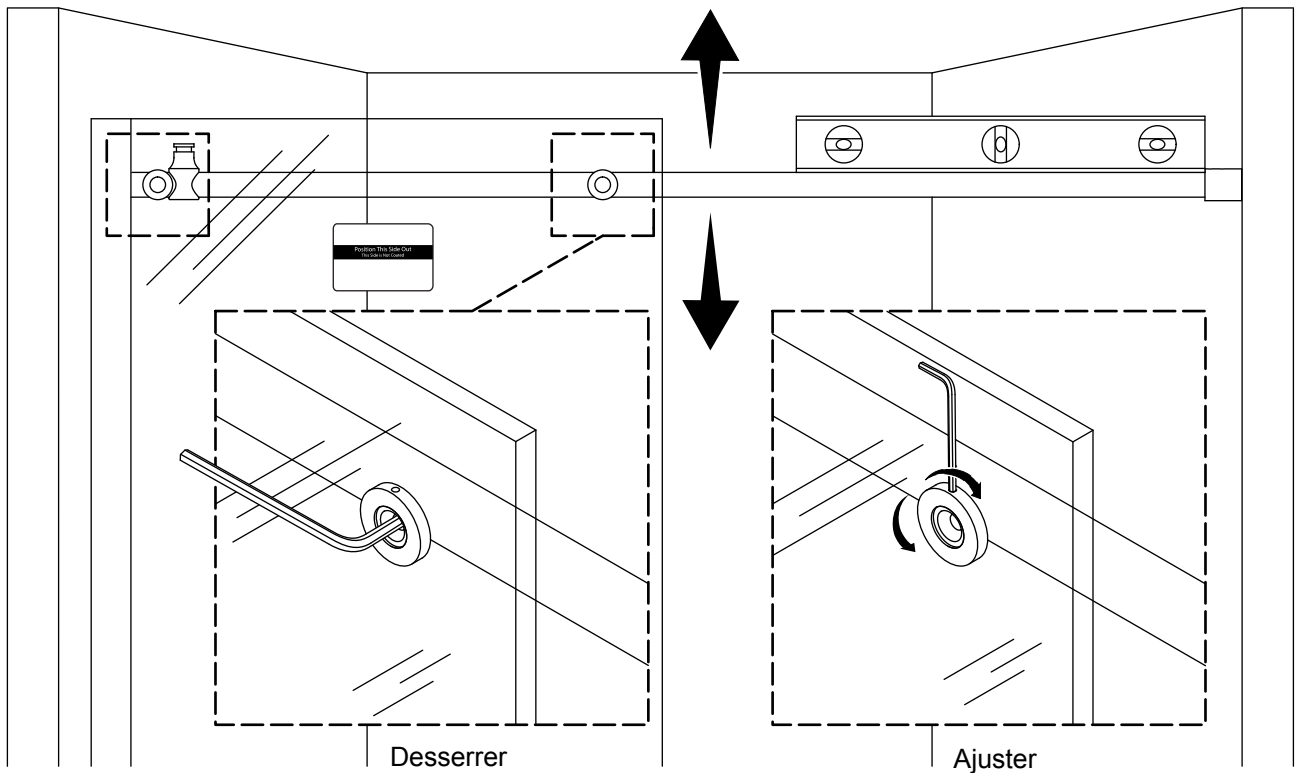


IMPORTANT! Le linteau est installé sur le panneau fixe à l'intérieur de la douche.

REMARQUE : Retirer le cache-vis des montures du linteau et le mettre de côté.

- Assembler les montures du linteau sur le panneau fixe comme sur l'illustration.
- Vérifier que les joints d'étanchéité transparents sont en place sur les deux côtés des montures du linteau. Ils pourraient être difficiles à voir.
- À partir de l'extérieur de la douche, pousser un boulon de montures du linteau à travers chaque monture et l'enfiler dans les trous de vis situés dans le linteau. Serrer les boulons avec la clé hexagonale de 4 mm fournie. **Ne pas trop serrer!**
- Vérifier que le linteau repose entièrement dans les surfaces courbées des montures du linteau.

11. Mettre le linteau à niveau

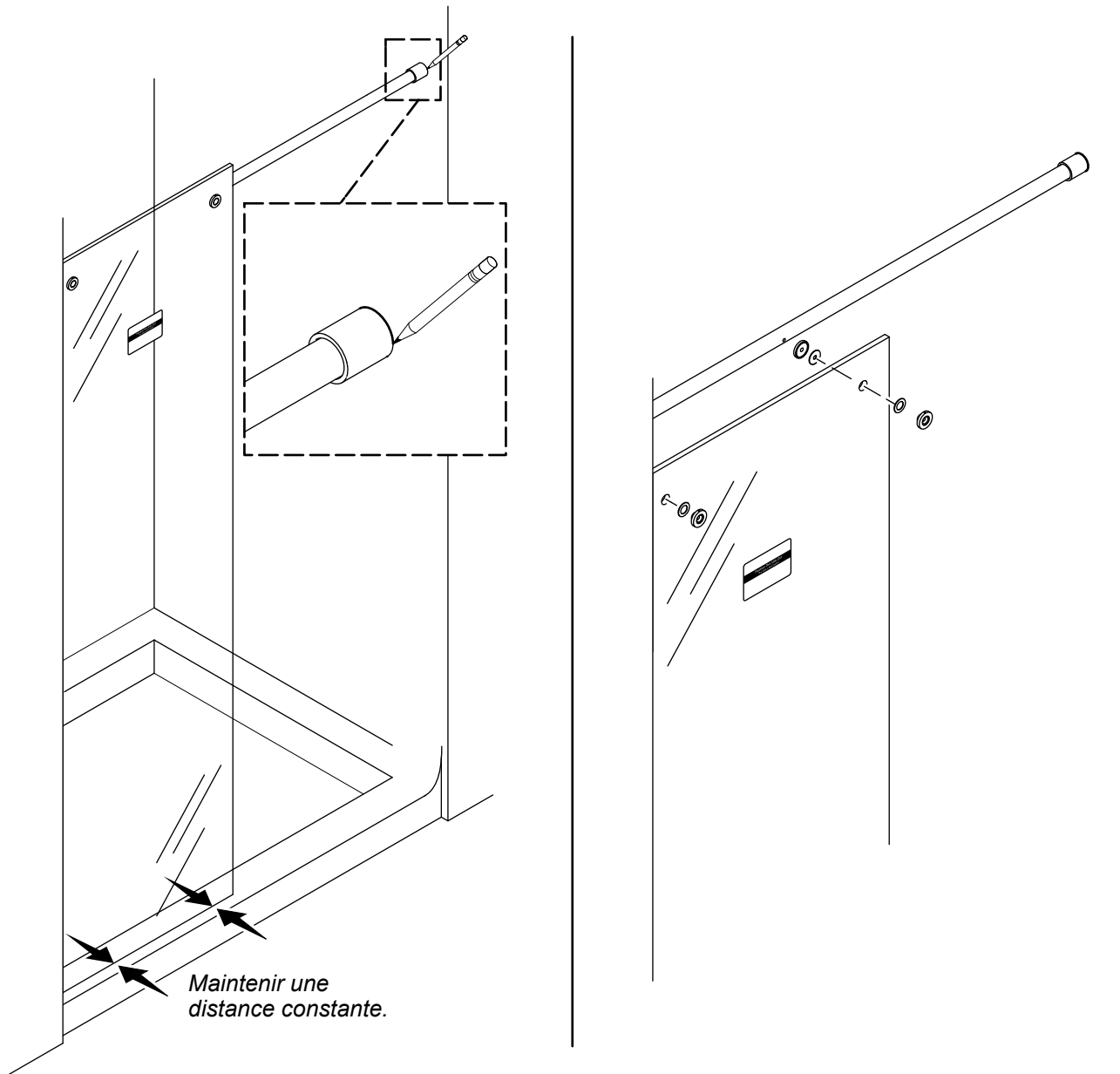


IMPORTANT! Le linteau doit être à niveau avant de continuer.

IMPORTANT! Vérifier que le panneau fixe repose à plat sur le rebord de la douche.

- Si le linteau doit être mis à niveau, desserrer légèrement les vis des montures du linteau avec la clé hexagonale de 4 mm fournie.
- Pour ajuster le linteau, placer la clé hexagonale de 2 mm fournie dans le petit trou dans la monture du linteau. Tourner les montures du linteau pour mettre le linteau à niveau.
- Si le linteau est à niveau, serrer les vis des montures du linteau avec la clé hexagonale de 4 mm fournie.

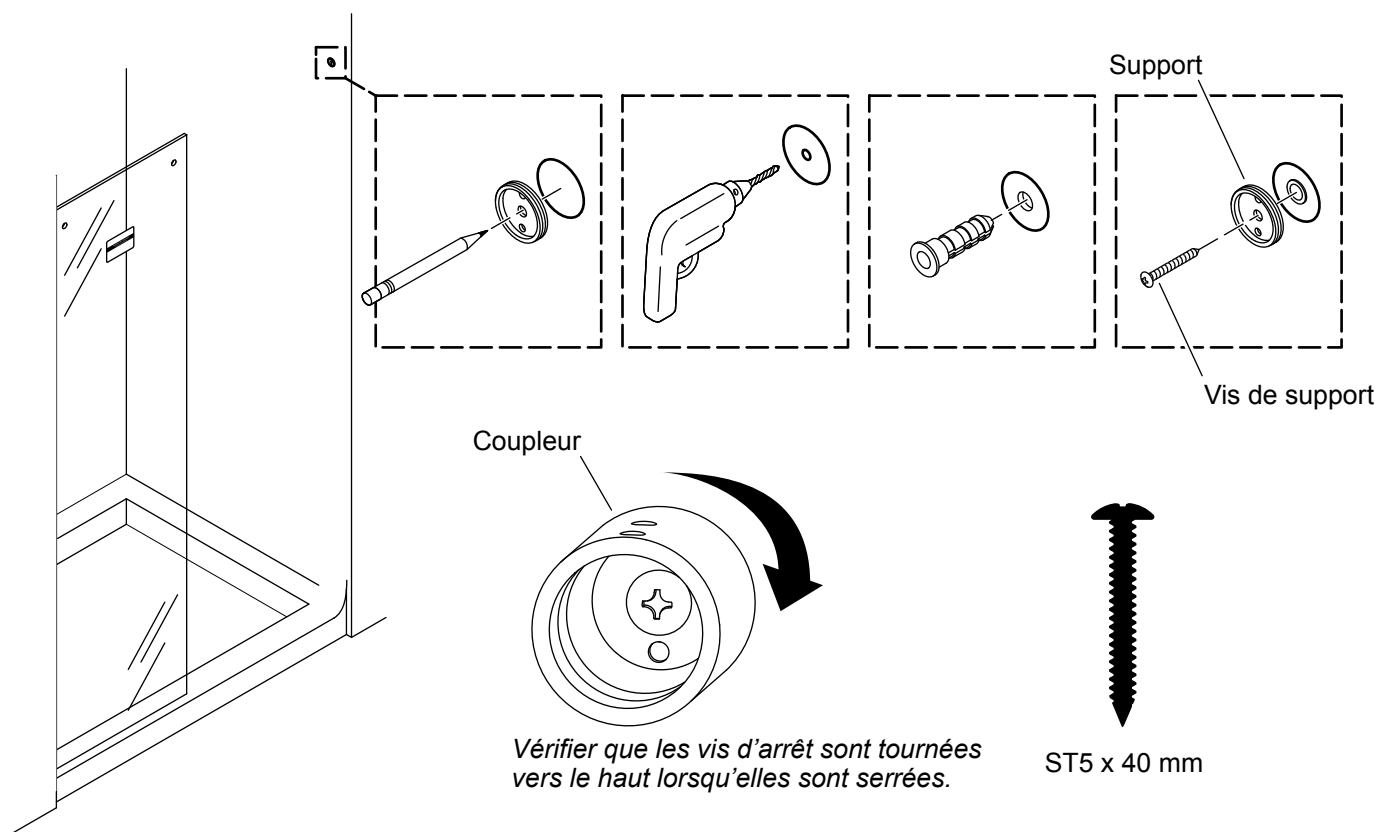
12. Marquer la monture du linteau



AVIS : Le linteau doit être à niveau et serré solidement sur le panneau fixe. Si nécessaire, retourner à la section « Mettre le linteau à niveau ».

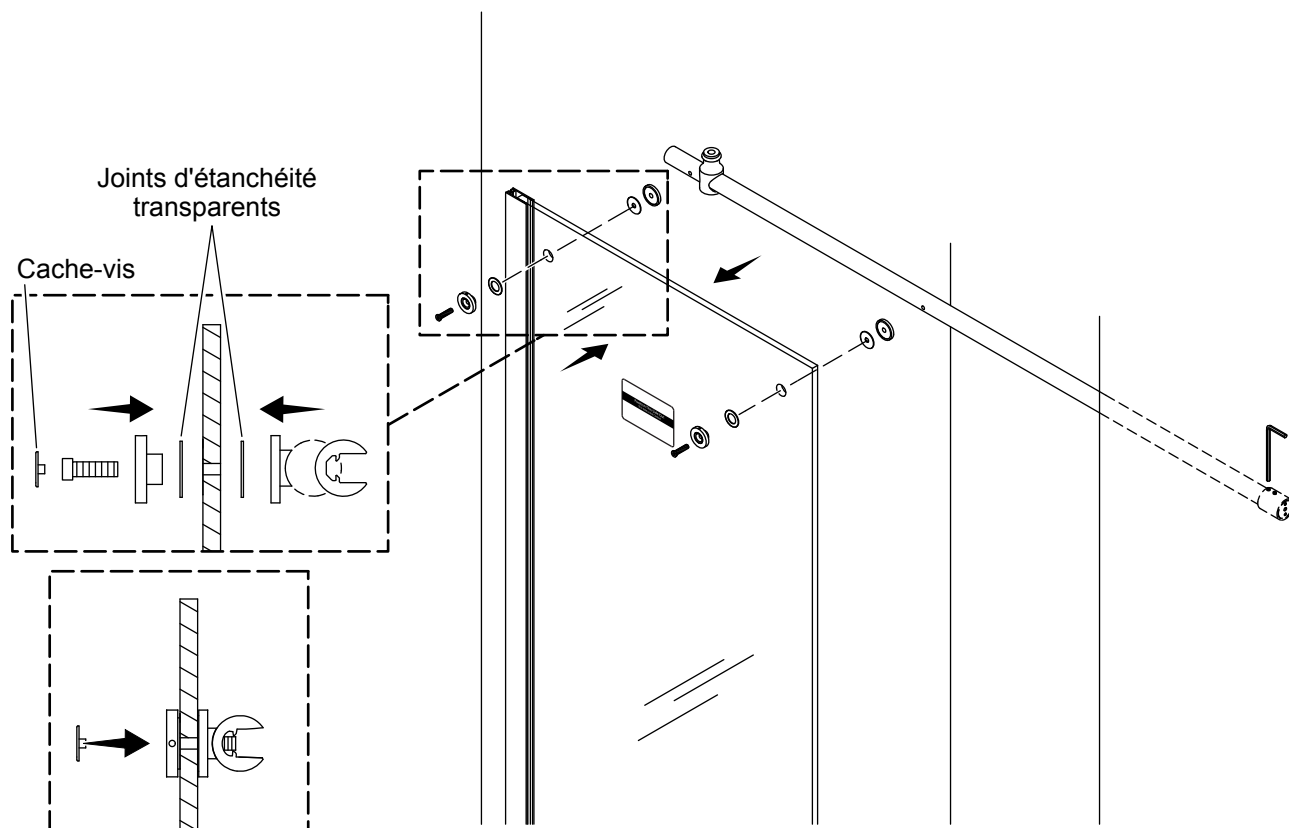
- Vérifier que le panneau fixe se trouve à une distance constante du rayon de la base de la douche.
- Desserrer les vis d'arrêt sur le coupleur. Glisser le coupleur sur le mur et marquer son emplacement.
- Retirer le coupleur.
- Retirer le linteau du panneau fixe.

13. Installer le support du linteau



- Aligner le support du linteau sur le repère du mur. Pour une meilleure précision, le support du linteau peut être réinstallé temporairement dans le coupleur.
- Marquer l'emplacement du trou du centre du support du linteau sur le mur.
- Percer un trou de 5/16 po au niveau du repère du centre du support du linteau.
- Installer la cheville d'ancrage mural de grande taille fournie. Vérifier que la cheville d'ancrage repose complètement contre le mur.
- Installer le support avec la vis ST5 x 40 mm fournie.
- Tourner le coupleur étroitement sur le mur, et vérifier que les vis d'arrêt sont tournées vers le haut.
- Si les vis d'arrêt ne sont pas tournées vers le haut, desserrer la vis du support et tourner le coupleur et le support ensemble, jusqu'à ce que les vis d'arrêt soient tournées vers le haut. Serrer la vis du support.
- Bien nettoyer la base de la douche et le mur.

14. Réinstaller le linteau



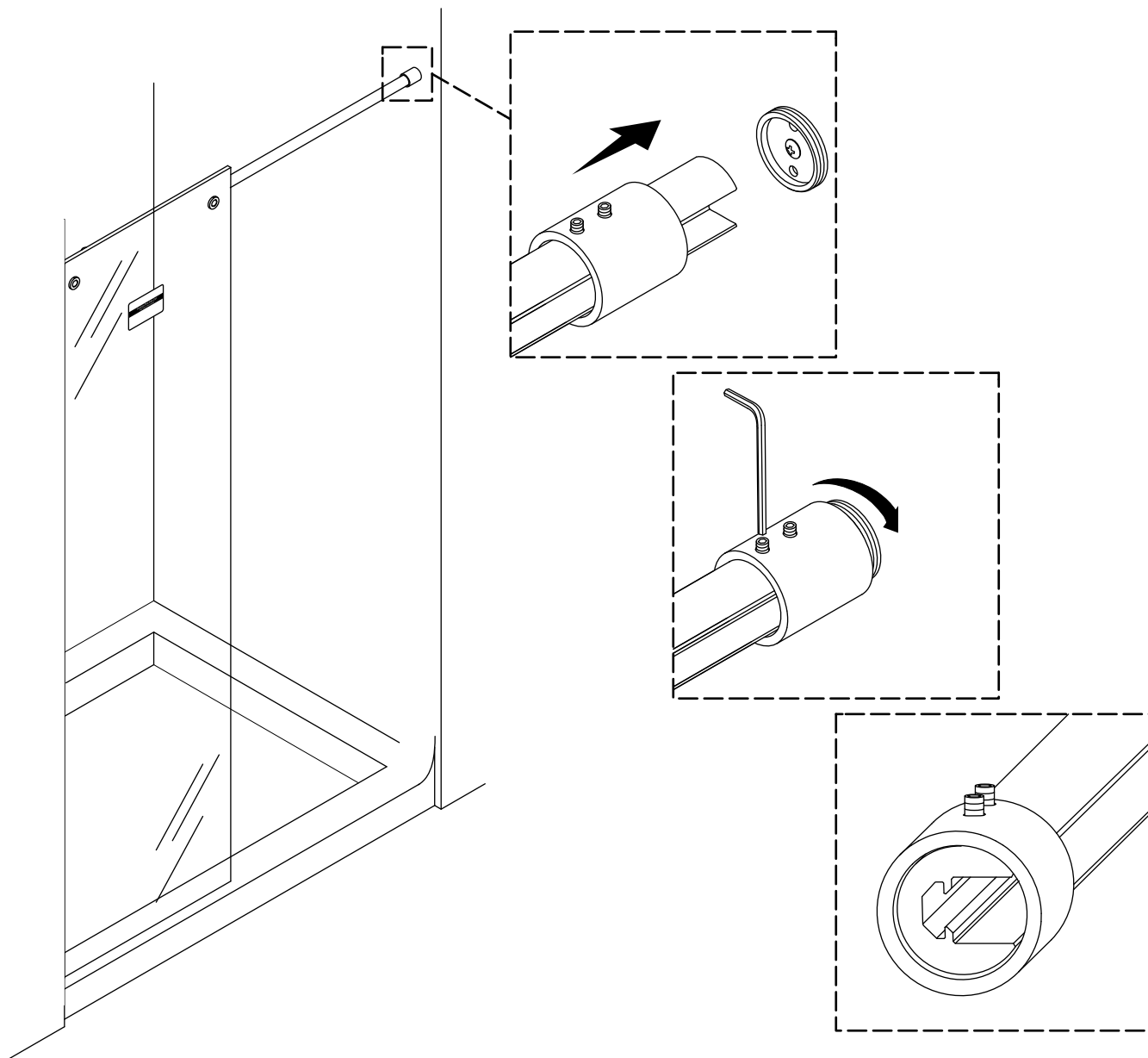
IMPORTANT! Le linteau est installé sur le panneau fixe à l'intérieur de la douche.

- Désenfiler le support du coupleur et le mettre de côté.
- Assembler les montures du linteau sur le panneau fixe comme sur l'illustration.
- Vérifier que les joints d'étanchéité transparents sont en place sur les deux côtés des montures du linteau. Ils pourraient être difficiles à voir.

REMARQUE : Tenir le linteau contre la monture de linteau intérieure lors du serrage afin de maintenir un alignement adéquat.

- À partir de l'extérieur de la douche, pousser un boulon de montures du linteau à travers chaque monture et l'enfiler dans les trous de vis situés dans le linteau. Serrer les boulons avec la clé hexagonale de 4 mm fournie. **Ne pas trop serrer!**
- Installer les couvercles de vis.
- Vérifier que le linteau est à niveau. Se reporter à la section « Mettre le linteau à niveau ».

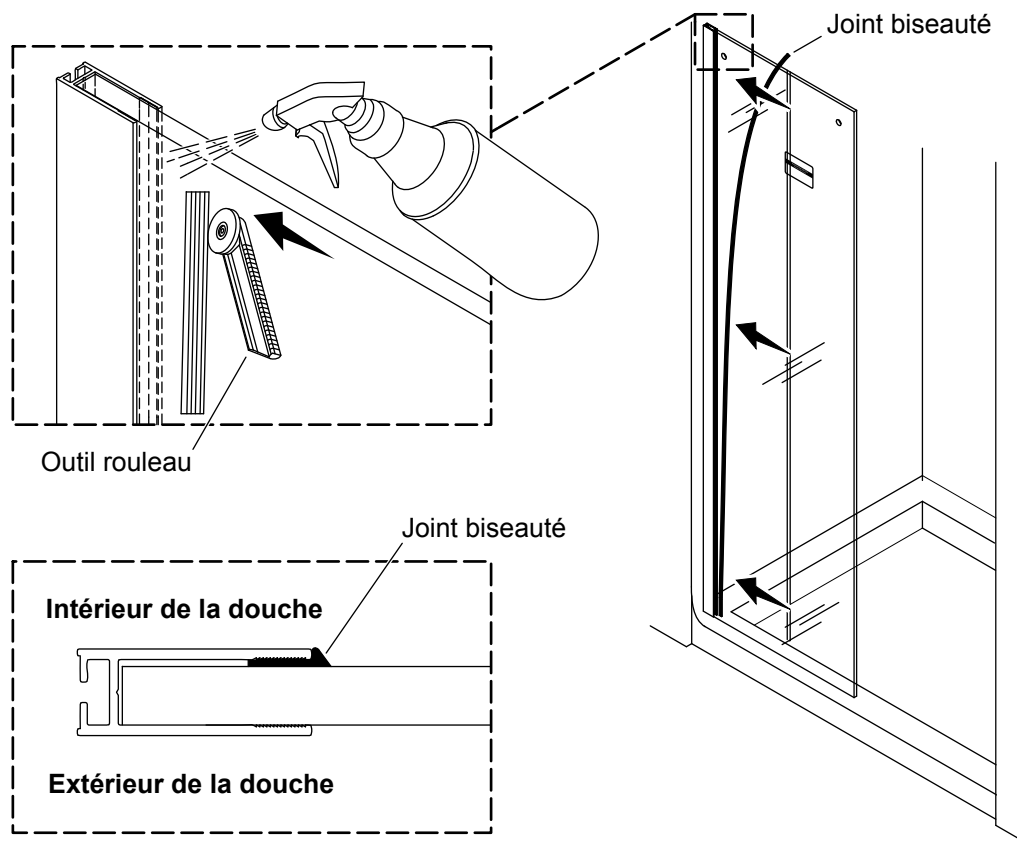
15. Fixer le linteau en place



IMPORTANT! Ne pas forcer pour aligner le linteau sur le support mural. Si le linteau ne s'aligne pas, vérifier que le linteau est à niveau et que le panneau mural fixe est assis correctement. Si nécessaire, effectuer quelques petits ajustements selon la section « Mettre le linteau à niveau ».

- Glisser le coupleur sur le mur et l'enfiler sur le support des montures du linteau.
- Orienter le coupleur de manière à ce que les vis d'arrêt soient tournées vers le haut. Serrer les vis d'arrêt avec la clé hexagonale de 2,5 mm fournie.

16. Installer le joint d'étanchéité biseauté

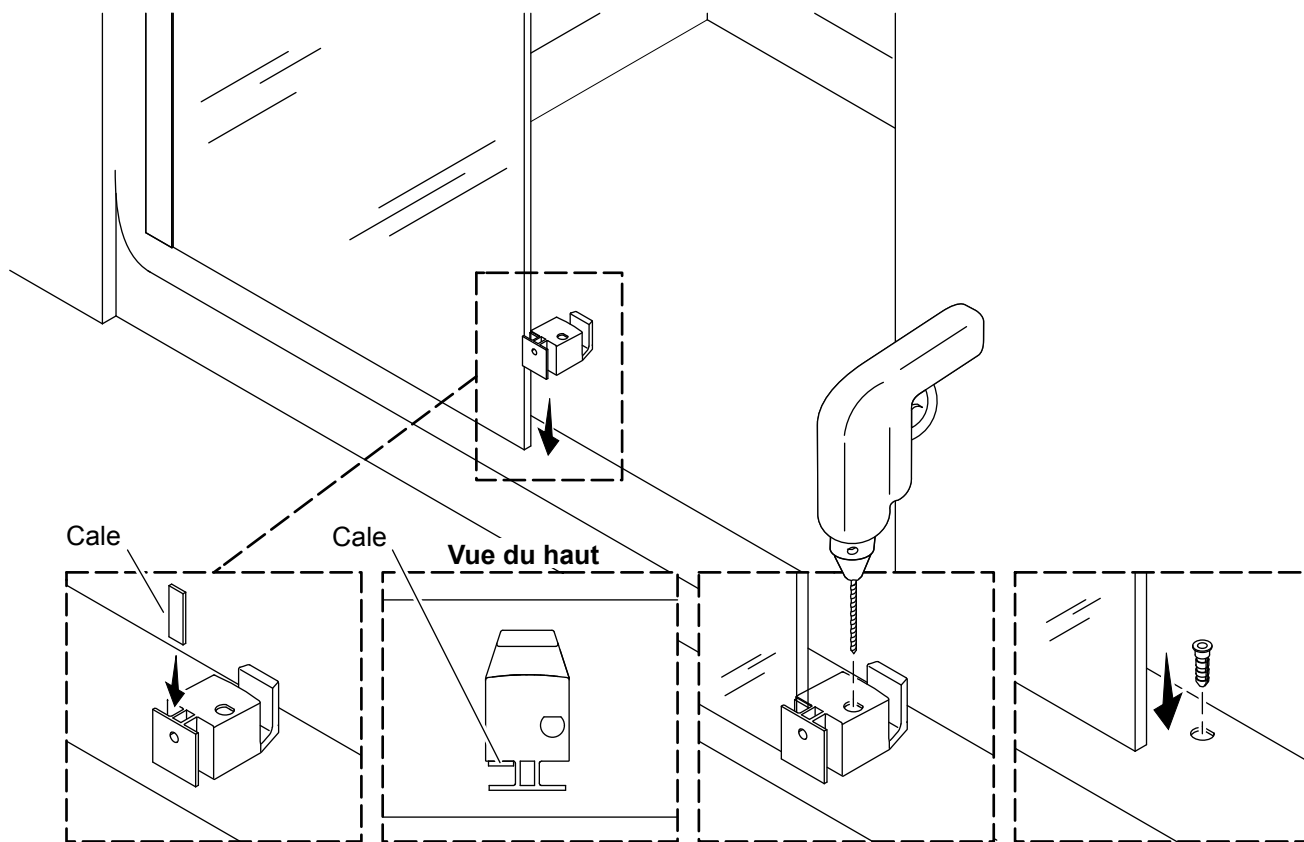


⚠ AVERTISSEMENT : Risque d'endommagement du produit. Ne pas utiliser des objets tranchants pour pousser le joint biseauté en place.

REMARQUE : Il est possible d'utiliser de l'eau pour faciliter l'insertion complète du joint biseauté dans le montant mural.

- À partir du bas, utiliser l'outil à rouleau fourni pour entièrement pousser le joint biseauté entre le montant mural et le panneau fixe, comme sur l'illustration.
- Couper toute longueur excessive du joint biseauté.

17. Préparer le guide central

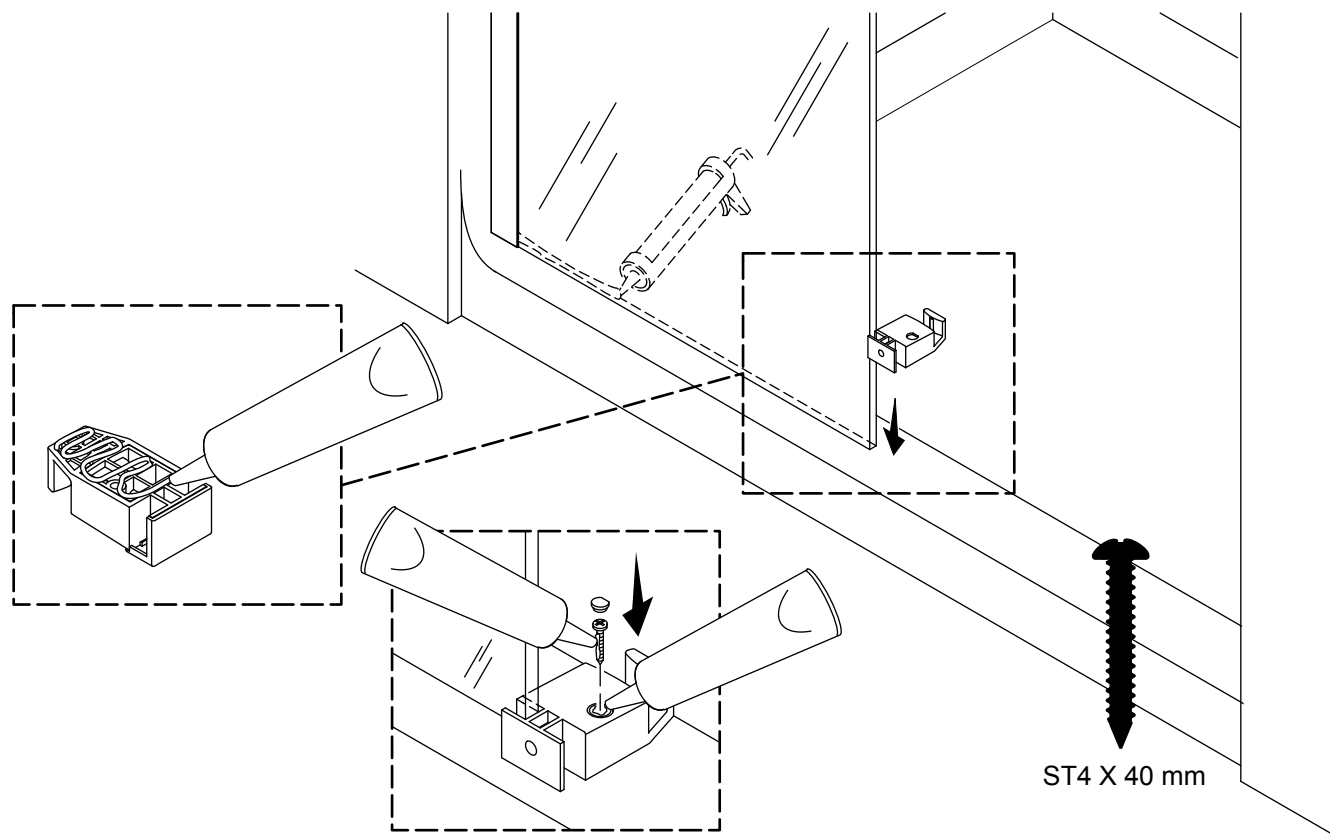


- Positionner le guide central comme sur l'illustration pour déterminer sur quel côté installer la cale. Cette position variera entre la configuration Droit ouvert et Gauche ouvert, comme déterminé dans la section « Déterminer la configuration de la porte ». Retirer le guide central

REMARQUE : La cale fournie est seulement requise pour les portes avec une épaisseur de verre de 5/16 po (8 mm). Les portes dont l'épaisseur de verre est de 3/8 po (10 mm) n'ont pas besoin de la cale.

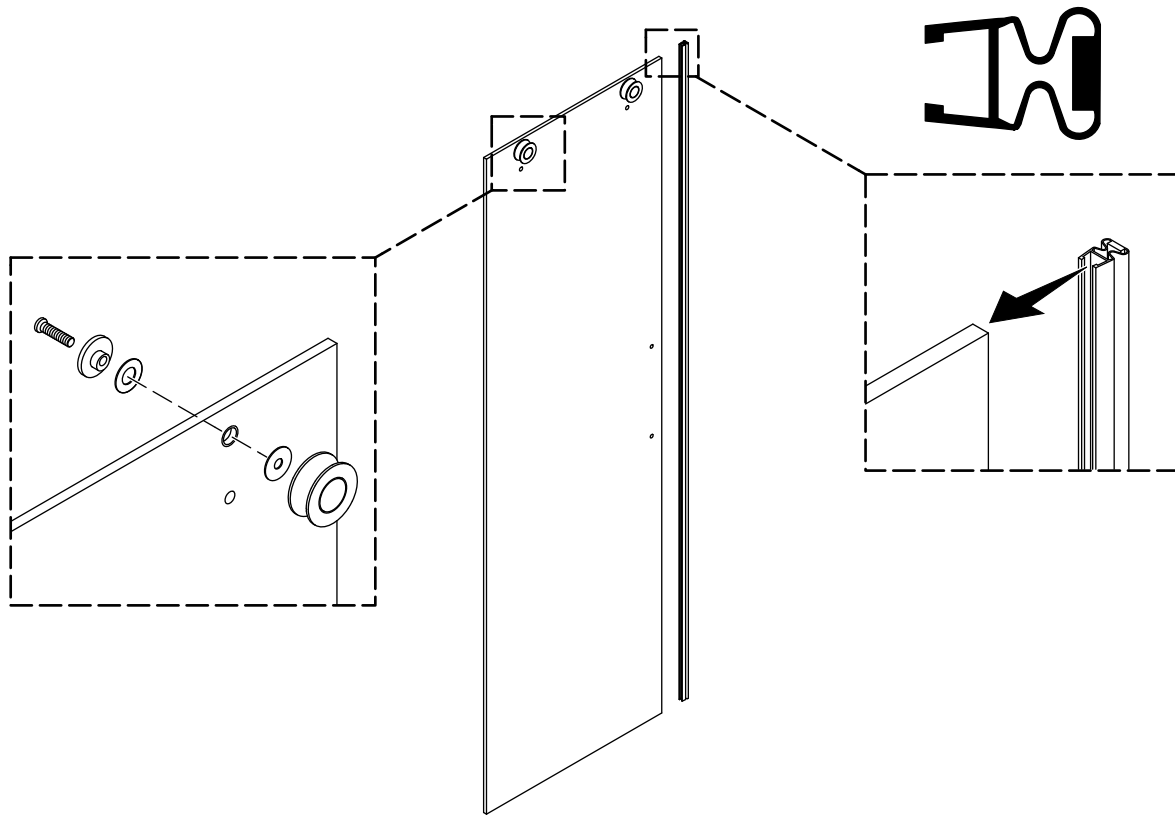
- Installer la cale sur la surface du guide central à l'intérieur de la douche, face au panneau fixe.
- Positionner le guide central sur la base de la douche de manière à ce que le panneau fixe soit complètement assis dans la poche.
- Percer un trou de 1/4 po en utilisant le trou dans le guide central comme guide.
- Retirer le guide central et insérer la cheville d'ancrage dans le trou.

18. Installer le guide central



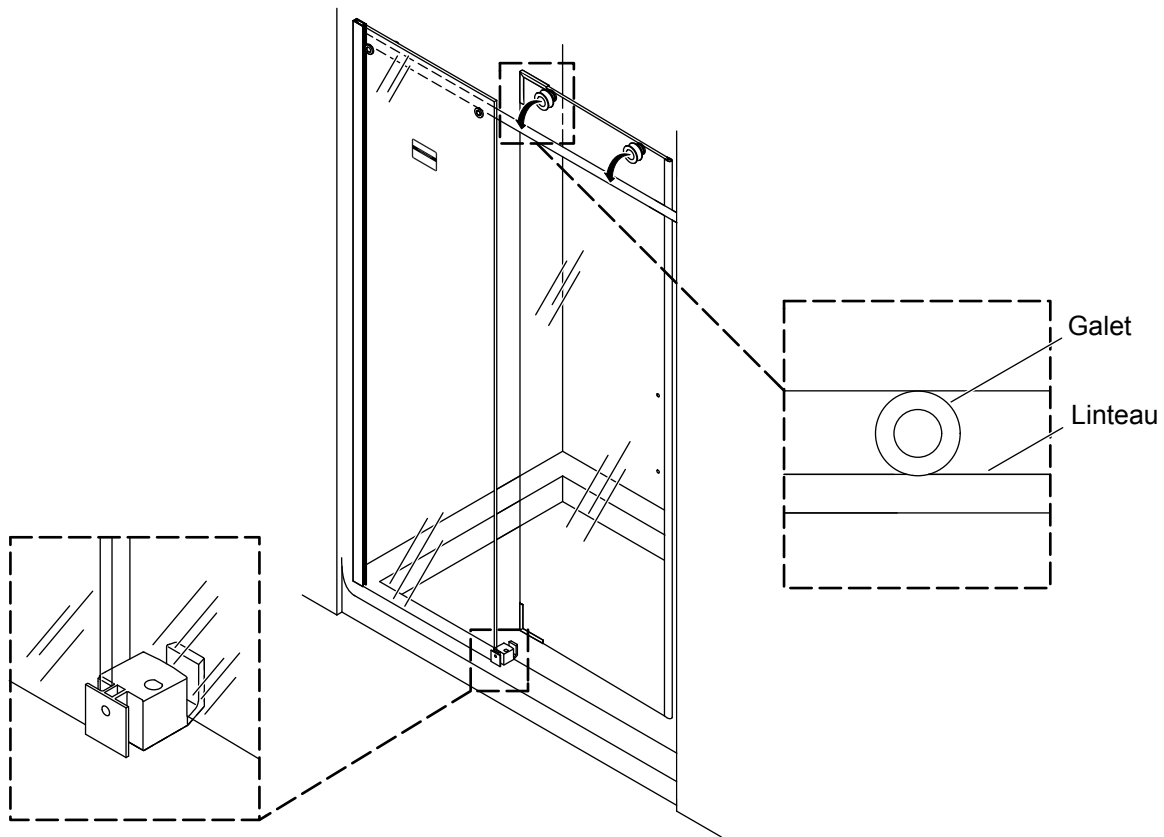
- Appliquer du mastic à la silicone à 100 % sur le fond du guide central.
- Positionner le guide central sur la base de la douche de manière à ce que le panneau fixe soit complètement assis dans la poche.
- Appliquer du mastic d'étanchéité à la silicone à 100 % sur le trou du guide central.
- Appliquer du mastic à la silicone à 100 % sur la vis ST4 x 40 mm fournie et sécuriser le guide central.
- Enclencher un capuchon par-dessus le trou de vis.
- Appliquer du mastic à la silicone à 100 % le long du bas du panneau fixe à l'emplacement où il entre en contact avec la base de la douche à l'intérieur de celle-ci.

19. Assembler le panneau coulissant



- Installer un galet dans chaque trou supérieur dans le panneau coulissant. Les galets doivent être positionnés sur l'extérieur du panneau coulissant.
- Sécuriser chaque galet avec une clé hexagonale.
- Pousser le joint magnétique sur le bord du panneau coulissant le plus proche des trous. Le joint magnétique doit être à ras du haut du panneau coulissant.

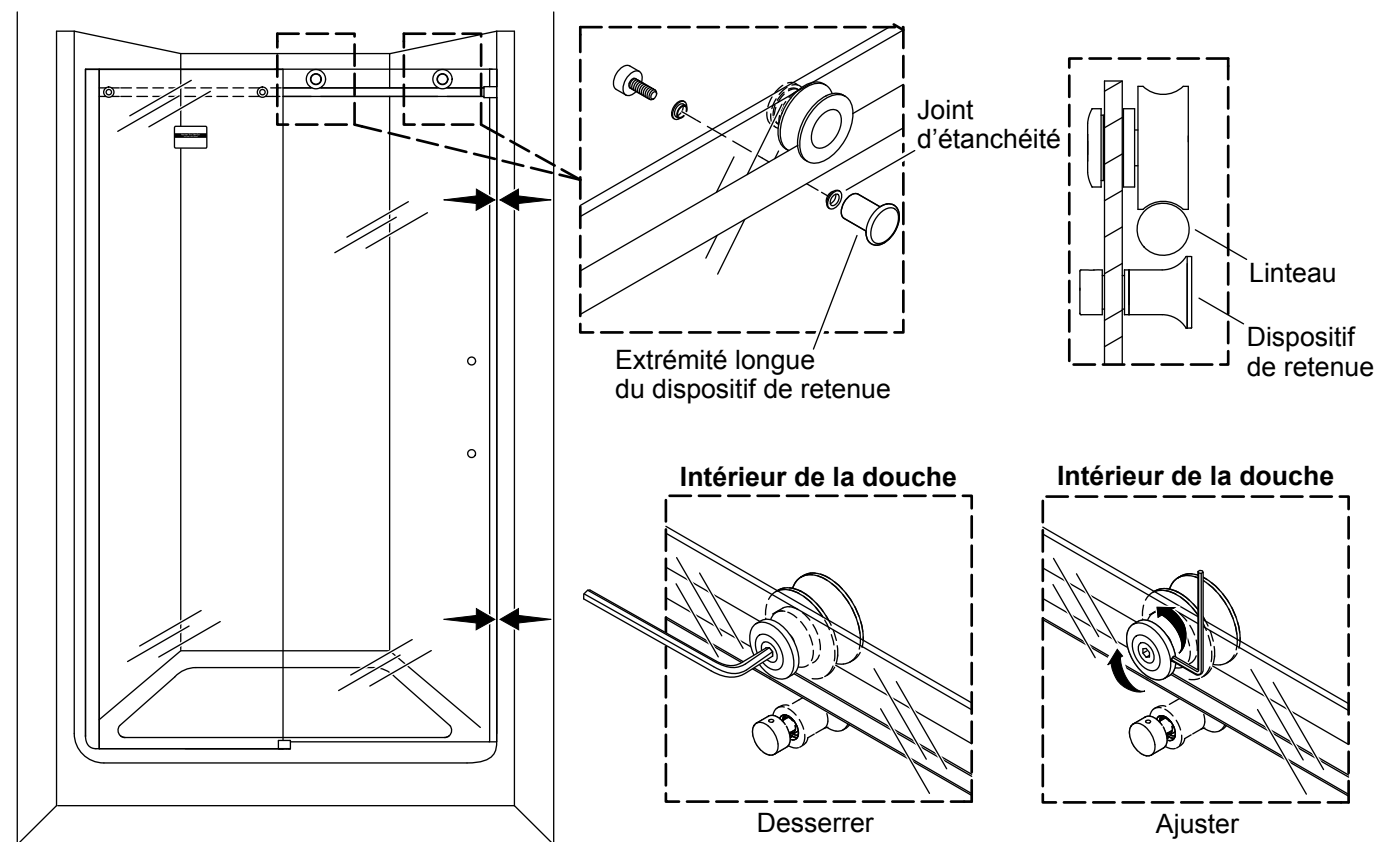
20. Installer le panneau coulissant



REMARQUE : Effectuer la procédure suivante avec deux personnes.

- À partir de l'intérieur de la douche, soulever le panneau de porte et poser le bord inférieur dans le canal arrière du guide central.
- Poser les deux galets sur le dessus du linteau.
- Retirer les protecteurs de coins du panneau de porte.

21. Ajuster le panneau coulissant



Installer les dispositifs de retenue de la porte

REMARQUE : L'extrémité longue du dispositif de retenue est tournée vers l'extérieur de la douche.

- Dans le trou le plus proche du mur sur le côté avec fermeture, installer un dispositif de retenue de porte dans le panneau coulissant sous le galet, comme sur l'illustration. Tourner le dispositif de retenue jusqu'à sa position la plus basse (la plus éloignée du linteau), et serrer à la main l'extrémité courte du dispositif de retenue. Au besoin, utiliser une clé hexagonale de 2 mm dans le trou latéral pour faciliter le serrage.
- Fermer la porte. Installer le dispositif de retenue de la porte restant dans sa position la plus basse.

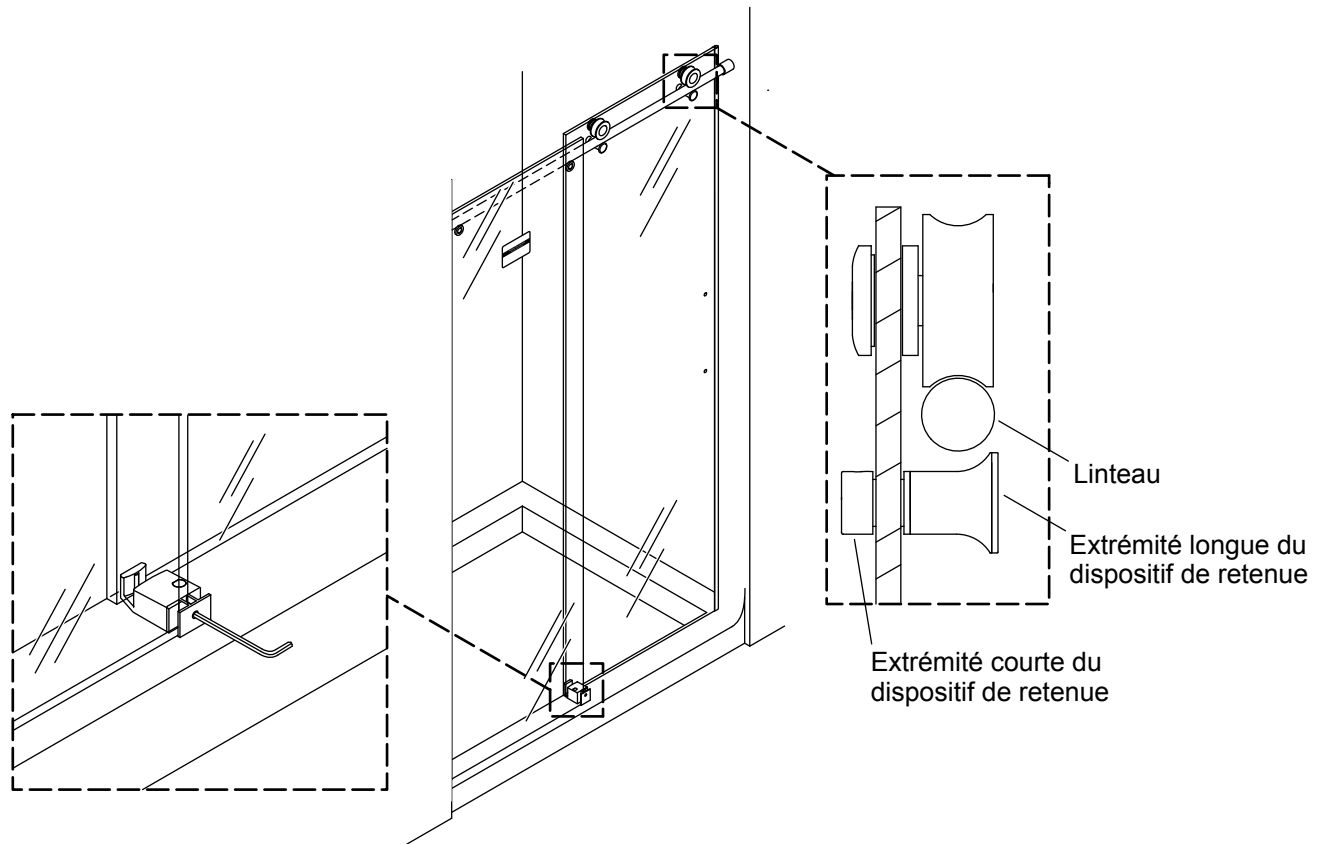
Ajuster le panneau coulissant

REMARQUE : Poser des cales sous le panneau afin de basculer celui-ci au besoin lors de l'ajustement. Retirer les cales lorsque l'ajustement est terminé.

REMARQUE : Lorsque fermé, le panneau coulissant doit être à ras du mur. Si un écart est présent entre le mur et le panneau coulissant à un endroit quelconque le long de sa longueur, ajuster le panneau coulissant.

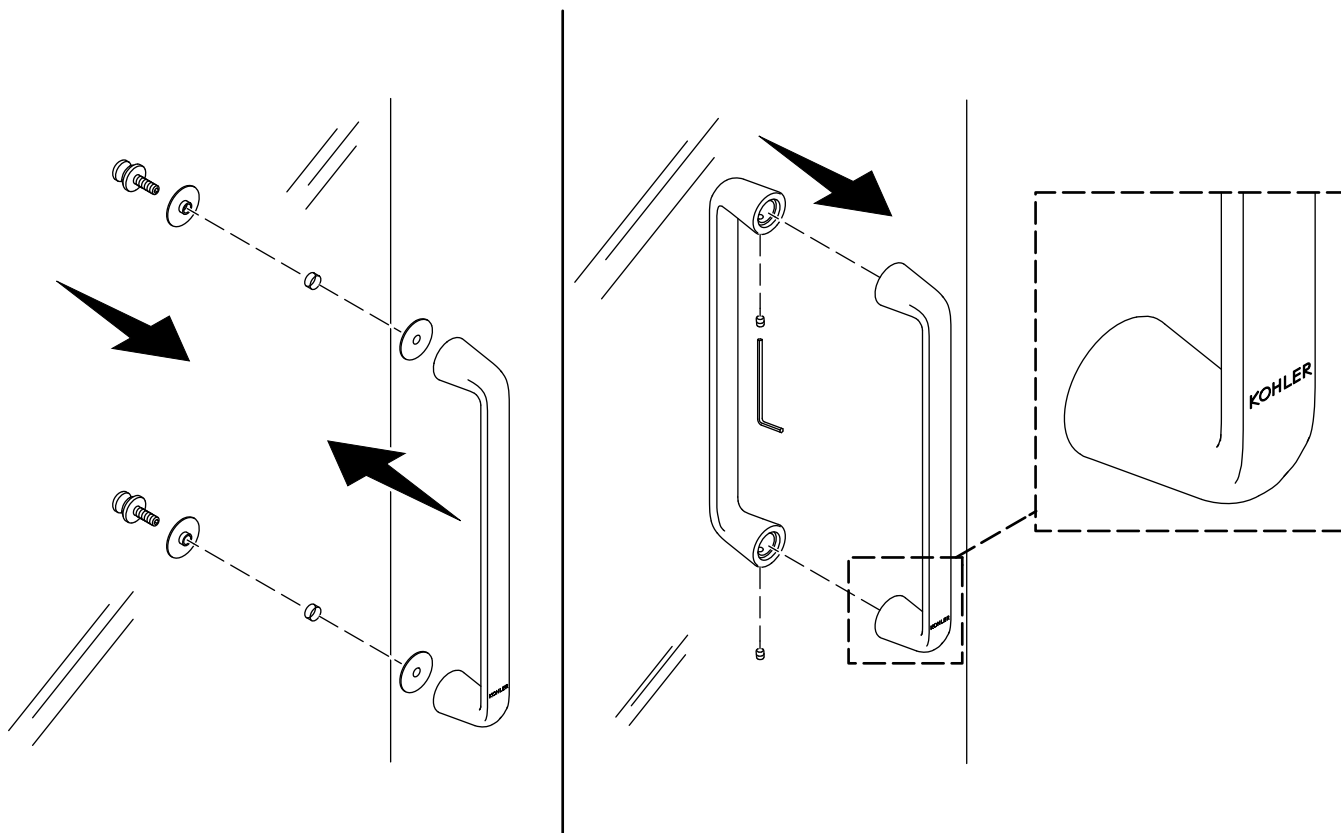
- À partir de l'intérieur de la douche, desserrer les vis de la monture des galets avec la clé hexagonale de 5 mm fournie.
- Insérer la clé hexagonale de 2 mm fournie dans le trou de réglage de la monture des galets et tourner pour ajuster.
- Ne pas laisser le panneau coulissant entrer en contact avec la base de la douche.
- Lorsque la porte se ferme à ras du mur dans le haut et le bas, serrer solidement les vis de la monture des galets.

22. Ajuster les dispositifs de retenue de la porte et le guide central



- Les dispositifs de retenue de la douche peuvent être réglés en tournant le dispositif de retenue. Desserrer les dispositifs de retenue à la main pour ajuster.
- Tourner l'extrémité longue du dispositif de retenue jusqu'à la position souhaitée et maintenir en place pendant que l'extrémité courte est serrée de manière sécuritaire.
- Le dispositif de retenue doit être aussi près que possible du linéau sans toucher, frotter ou racler.
- Utiliser la clé hexagonale de 3 mm fournie pour serrer la vis d'arrêt sur l'avant du guide central jusqu'à ce que la porte glisse sans à-coup.

23. Installer les poignées

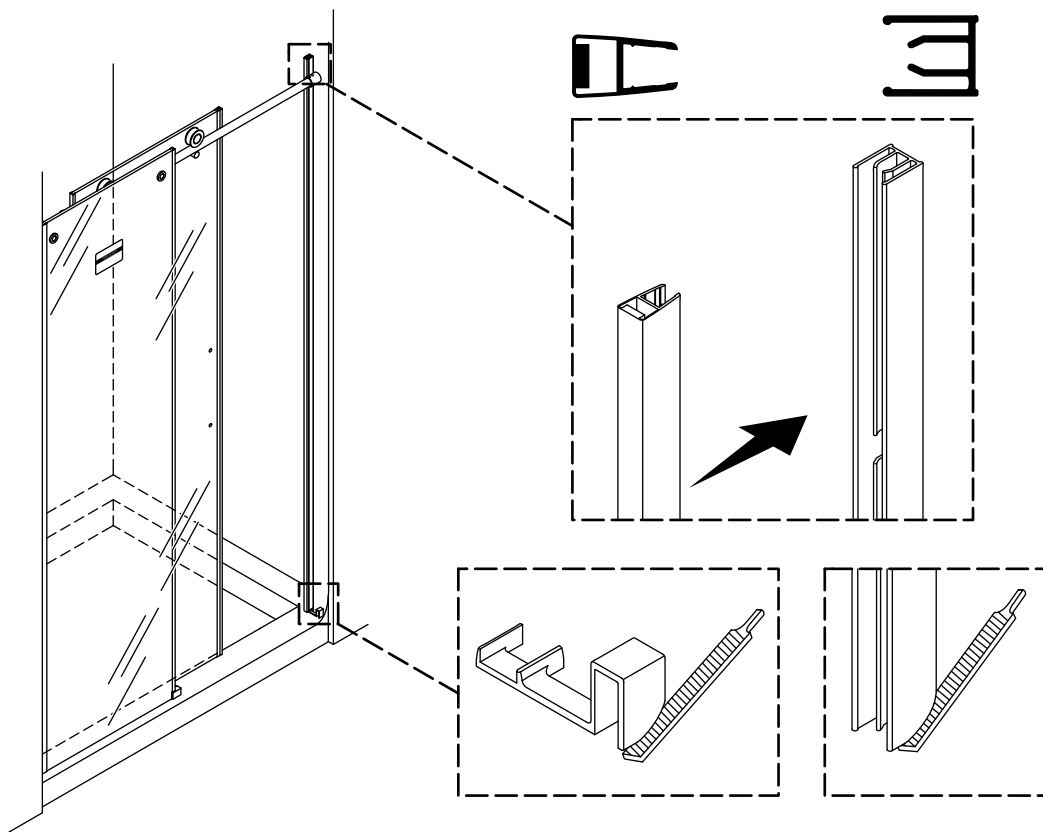


REMARQUE : La poignée en question pourrait être différente de celle qui est illustrée. Les étapes d'installation restent les mêmes.

REMARQUE : Le lettrage « KOHLER » doit être orienté sur le bas de la poignée.

- Placer une bague dans chaque côté de chaque trou de poignée.
- À partir de l'intérieur de la douche, pousser un boulon à travers chaque trou de poignée.
- Avec le lettrage « KOHLER » dans le bas, poser la poignée extérieure par-dessus les boulons. Enfiler les boulons dans la poignée.
- Serrer les boulons. **Ne pas trop serrer!**
- Installer la poignée intérieure par-dessus les boulons.
- Sécuriser la poignée intérieure avec les deux vis d'arrêt. Serrer avec la clé hexagonale de 2,5 mm fournie.

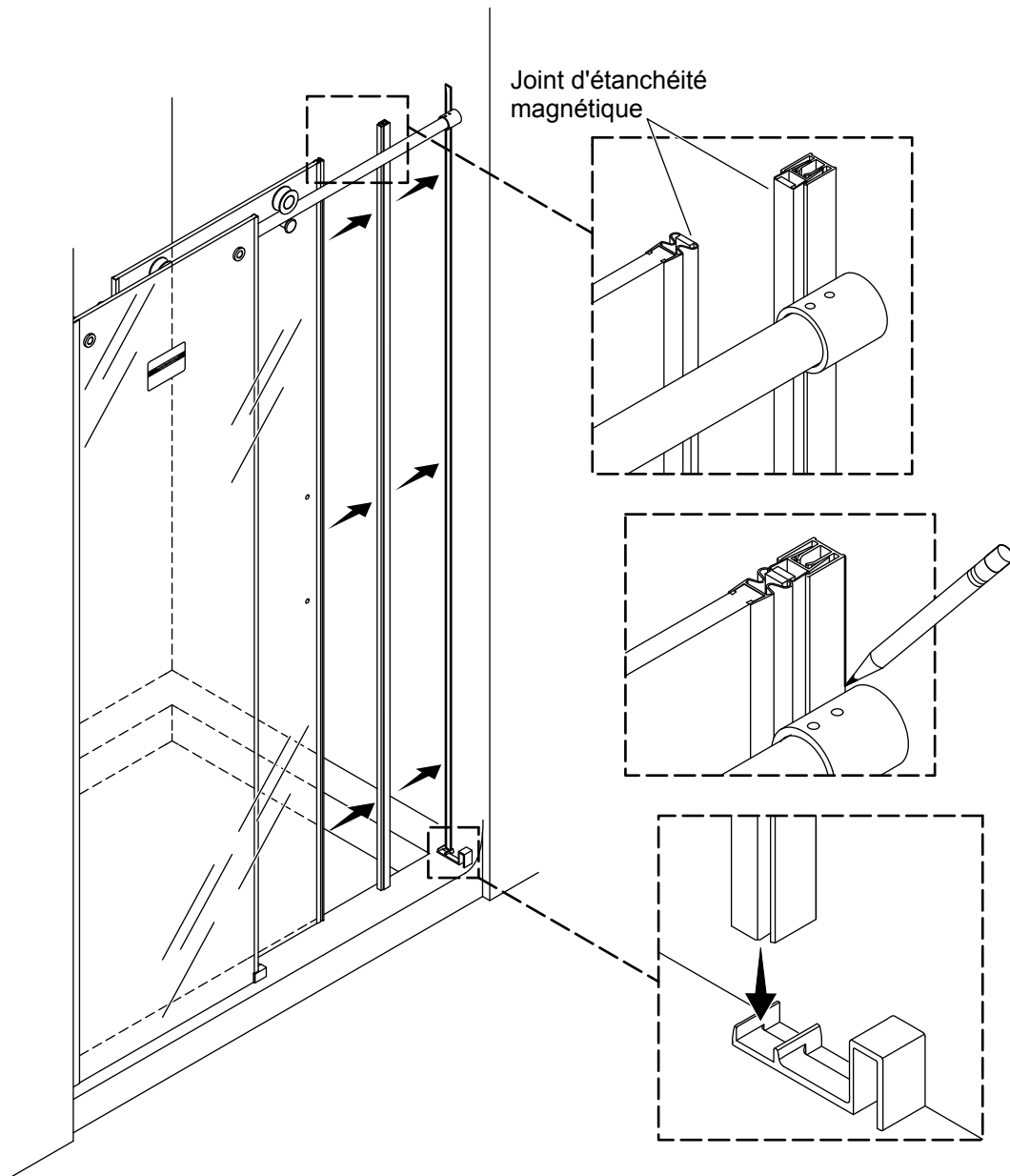
24. Préparer le montant avec gâche



REMARQUE : Le montant avec gâche doit bien s'adapter contre la couverture du seuil et le mur.

- Au besoin, former et limer les coin inférieurs de la couverture du seuil pour qu'elle s'adapte de manière serrée contre le mur de la douche.
- Au besoin, former et limer le coin inférieur du montant avec gâche pour qu'il s'adapte de manière serrée contre le mur de la douche.
- Positionner le montant avec gâche contre le mur de manière à ce qu'il se trouve à l'intérieur du linteau comme sur l'illustration.
- Enfoncer le joint magnétique dans le montant avec gâche.

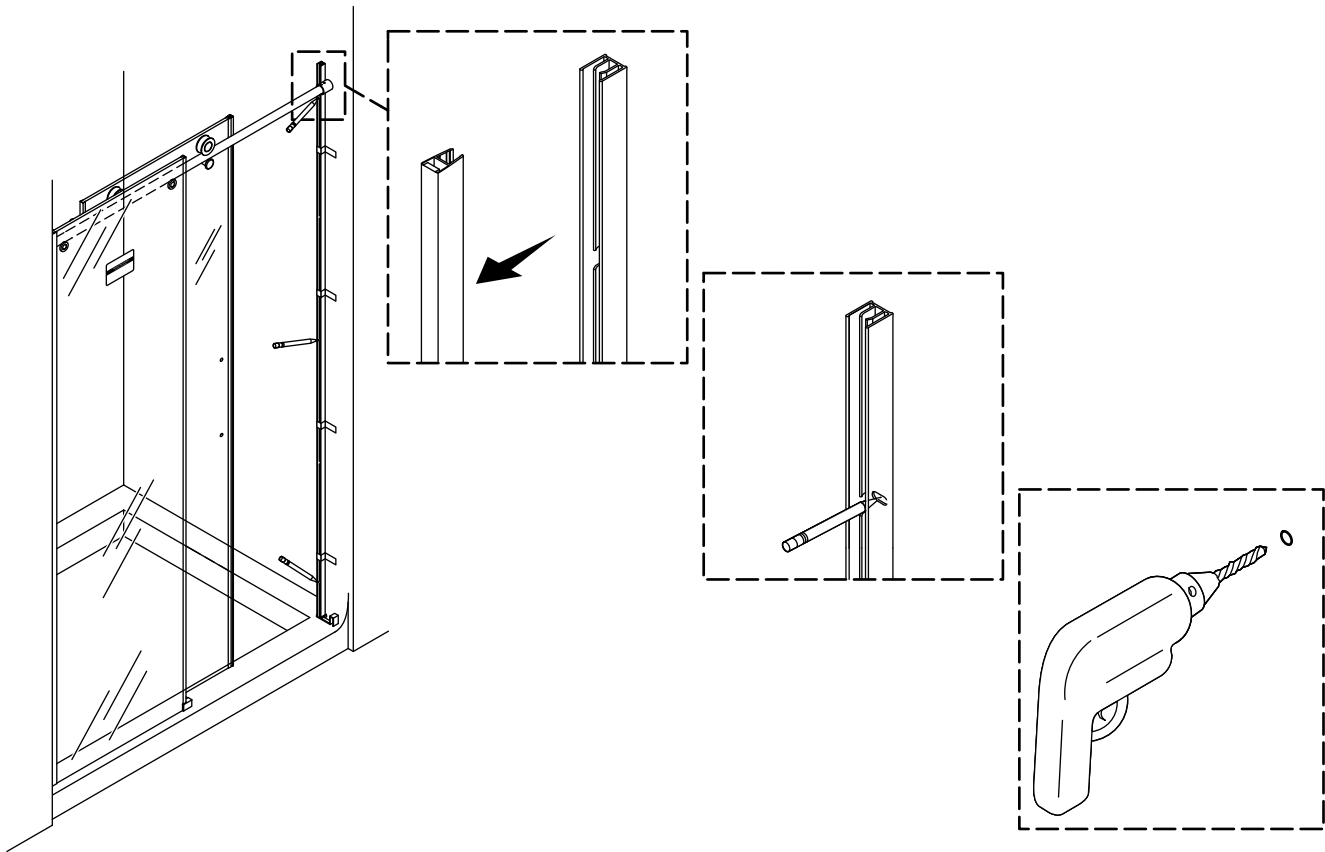
25. Marquer l'emplacement du montant avec gâche



REMARQUE : Le montant avec gâche doit bien s'adapter contre la couverture du seuil et le mur.

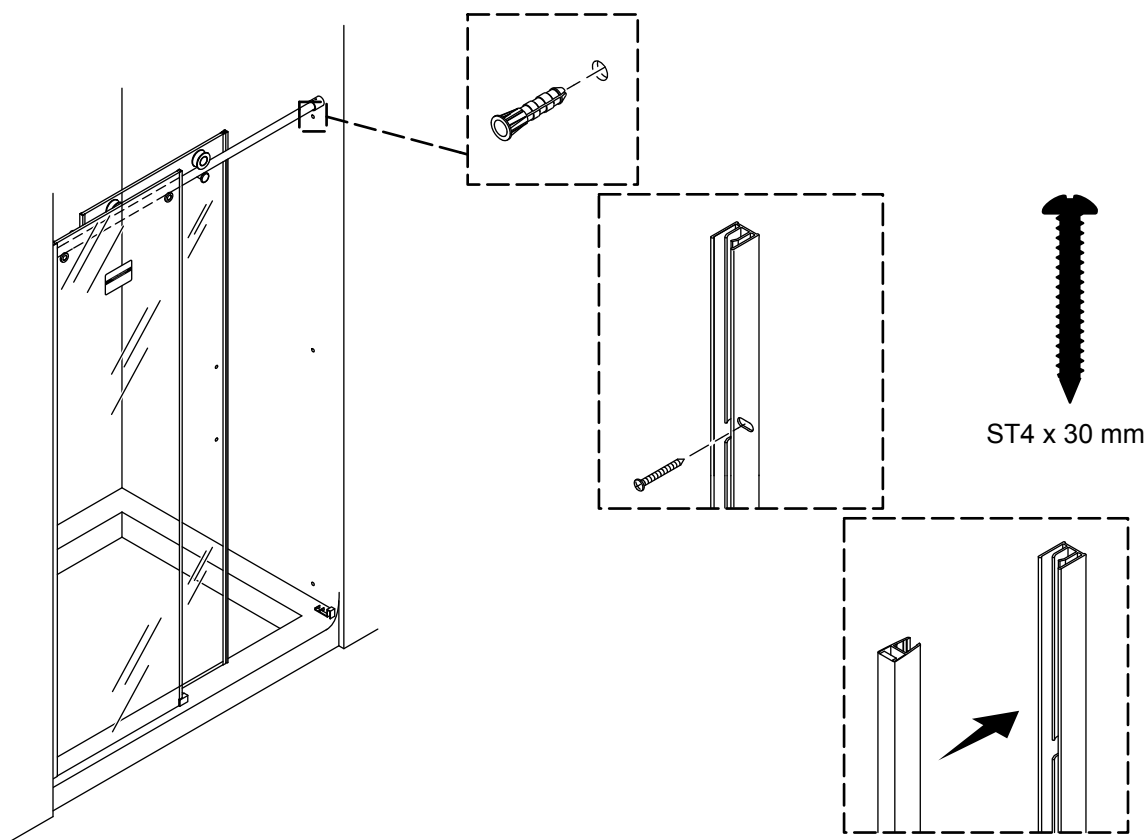
- Attacher le joint magnétique sur le joint d'étanchéité qui est déjà installé sur le bord du panneau coulissant.
- Glisser la porte pour la fermer, de manière à ce que le montant avec gâche soit contre le mur.
- Glisser la couverture du seuil sous le montant avec gâche tandis que le montant avec gâche est contre le mur.
- Marquer l'emplacement du montant avec gâche sur le mur.

26. Marquer les trous du montant avec gâche



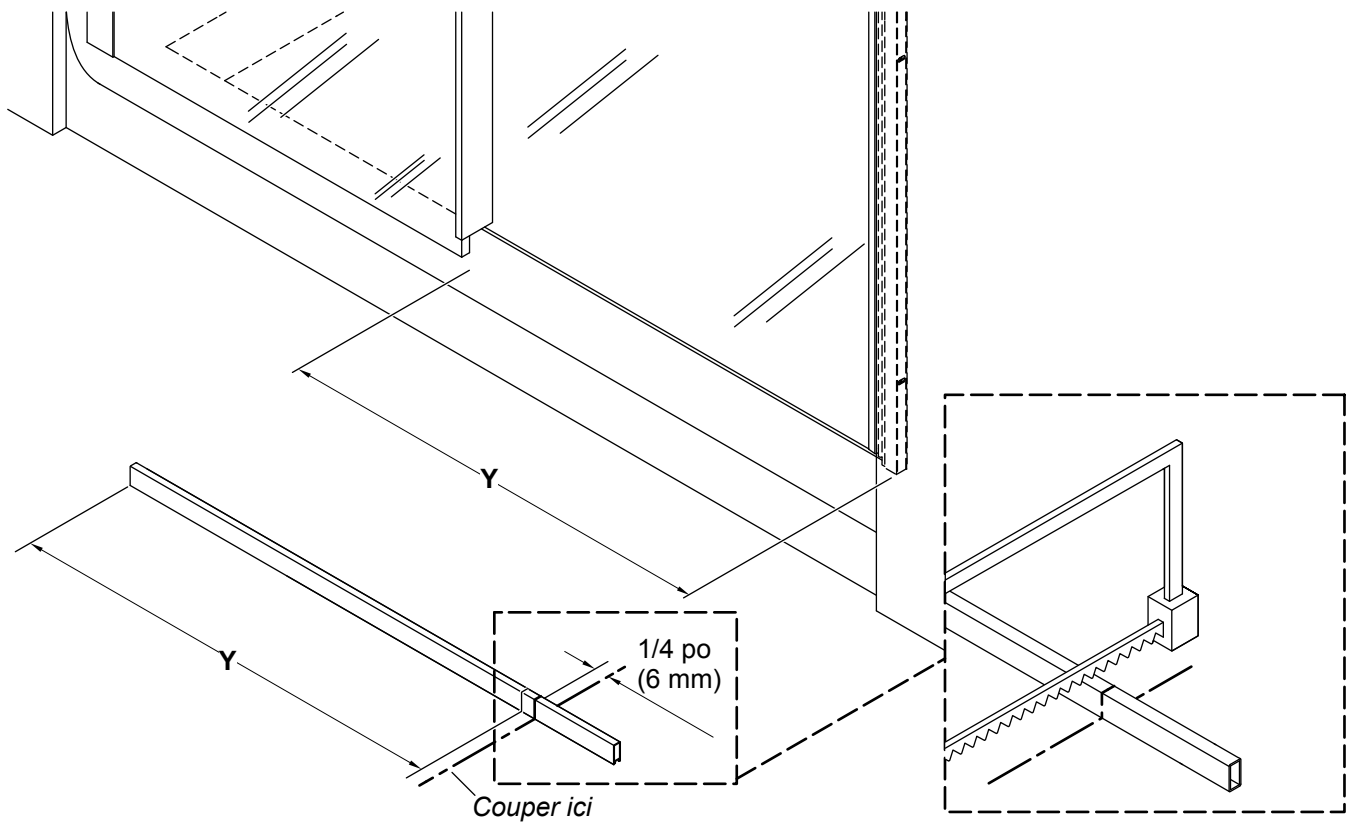
- Ouvrir la porte et retirer de la porte le montant avec gâche muni du joint d'étanchéité magnétique
- Retirer le joint magnétique de l'intérieur du montant avec gâche.
- Poser le montant avec gâche sur la couverture du seuil et aligner avec le repère sur le mur. Sécuriser avec le ruban-cache.
- Marquer les trois trous.
- Retirer le montant avec gâche.
- Percer un trou de 1/4 po à chaque emplacement marqué. Utiliser une mèche à maçonnerie pour les murs à carrelage.

27. Installer le montant avec gâche



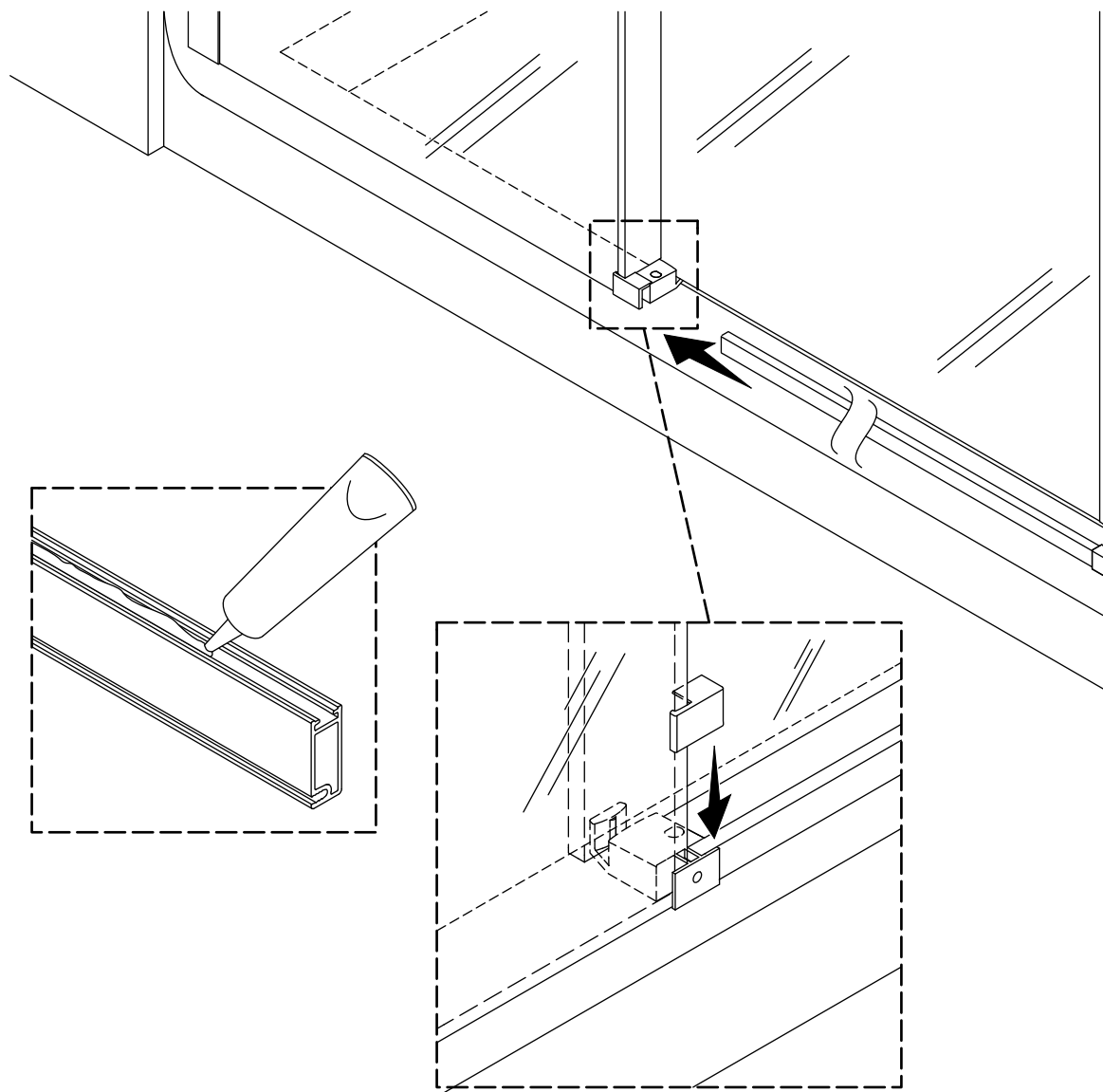
- Installer les chevilles d'ancrage mural fournies. Si nécessaire, taper doucement sur les chevilles d'ancrage jusqu'à ce qu'elles soient à ras du mur.
- Remettre le montant avec gâche en place et aligner avec les trous des chevilles d'ancrage. Vérifier que le montant avec gâche est posé sur la couverture du seuil avant de le fixer en place.
- Sécuriser le montant avec gâche sur le mur avec trois des vis ST4 x 30 mm fournies.
- Remettre le joint magnétique en place dans le montant avec gâche.

28. Mesurer et couper le seuil



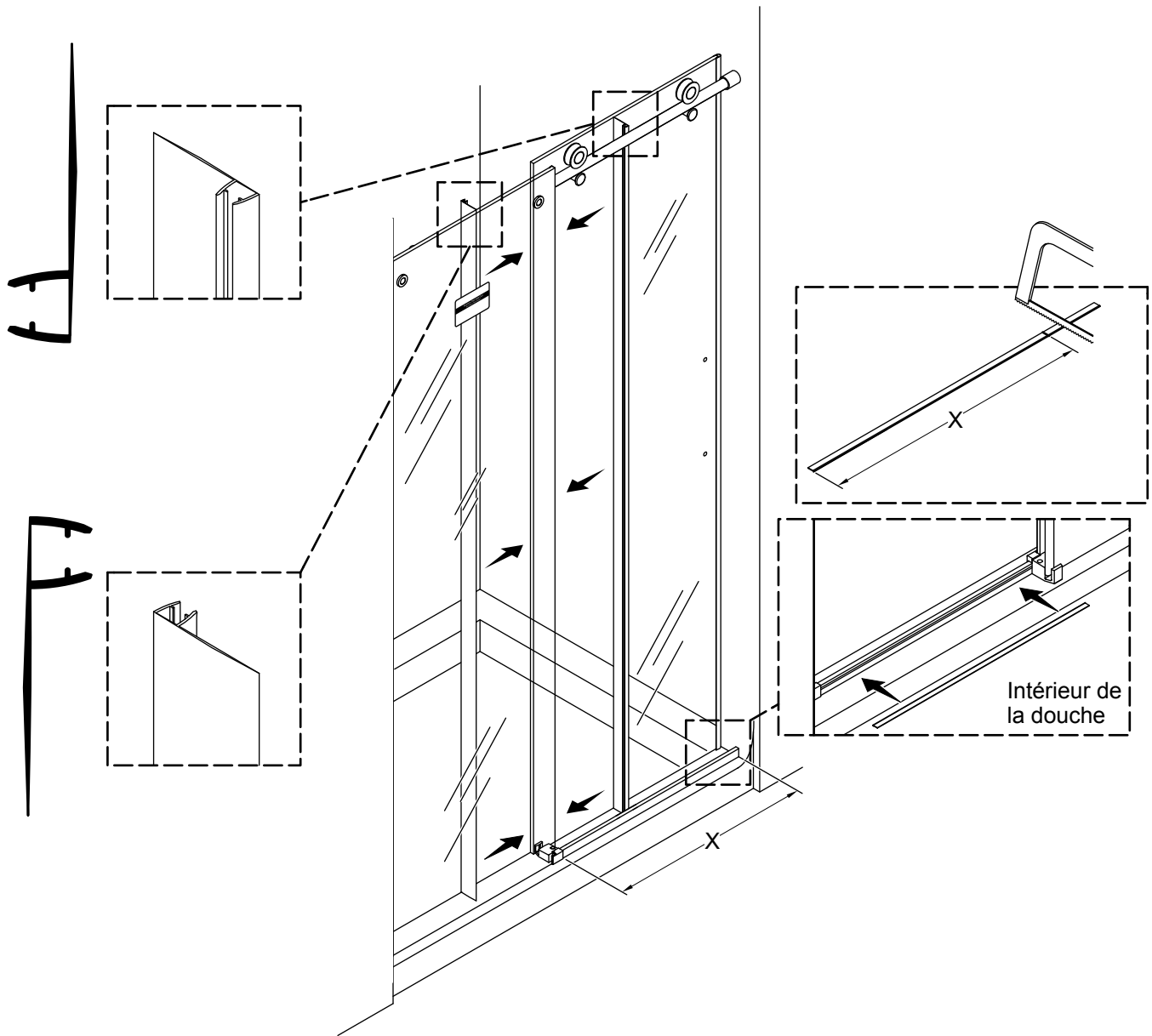
- Au besoin, former et limer le coin inférieur du seuil et le coin du seuil pour qu'il s'adaptent contre le mur de la douche. Utiliser une pièce de monnaie pour faire correspondre et transférer le rayon.
- Mesurer la distance « Y » entre le bord du guide central et le mur sur le côté du montant avec gâche.
- Marquer « Y » sur le seuil.
- Mesurer 1/4 po (6 mm) à partir de « Y » et mettre un deuxième repère sur le seuil comme sur l'illustration.
- Couper le seuil au niveau du deuxième repère et limer tous les bords bruts.

29. Installer le seuil



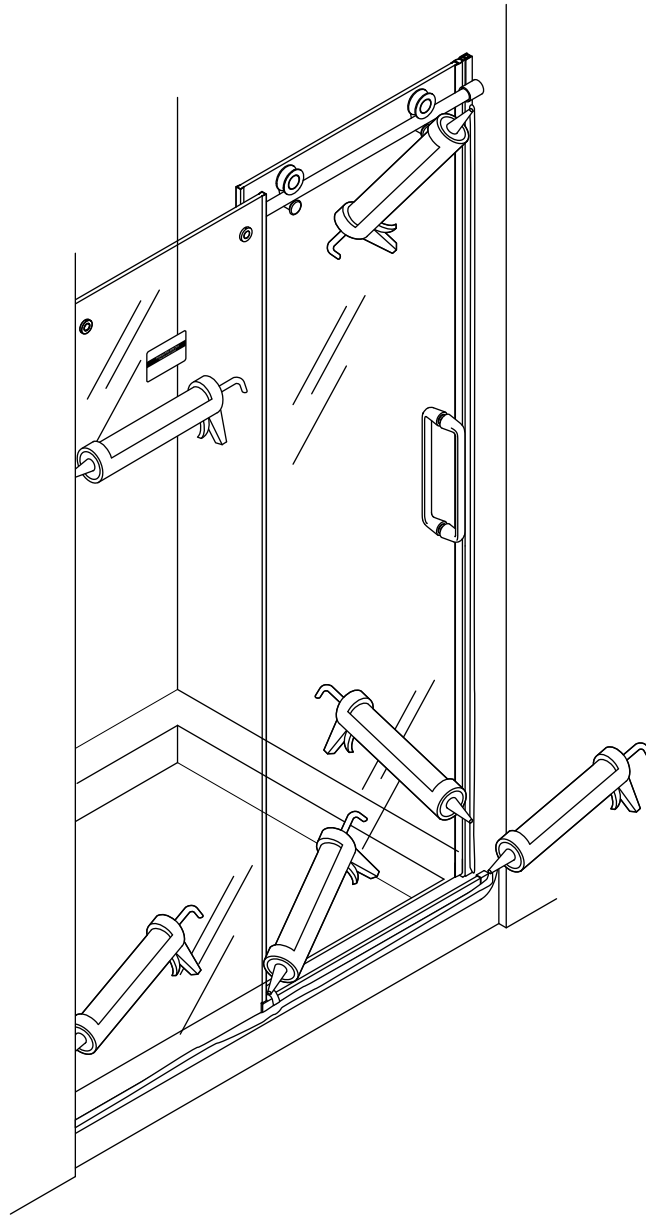
- Appliquer du mastic à la silicone à 100 % dans la ou les rainures sur le fond du seuil.
- Glisser le seuil dans la couverture du seuil et le guide central.
- Enclencher la couverture du guide central choisi dans la section « Déterminer la configuration de la porte » vers le bas par-dessus le guide central.

30. Installer les joints racleurs



- Enfoncer l'un des joints racleurs sur le bord du panneau coulissant. Commencer dans le bas, en alignant le bord inférieur du verre sur le bord inférieur du joint d'étanchéité.
- En commençant dans le haut du guide central, enfoncer l'autre joint racleur sur le bord du panneau fixe, comme sur l'illustration.
- Mesurer la distance entre le guide central et le capuchon de seuil et marquer la mesure sur le joint d'étanchéité du seuil.
- À l'aide de ciseaux, couper le joint d'étanchéité du seuil au niveau de la ligne marquée.
- À partir de l'intérieur de la douche, enfoncer le joint d'étanchéité du seuil dans le canal du seuil.

31. Terminer l'installation



- Appliquer du mastic à la silicone à 100 % le long de tous les bords restants de l'intérieur et de l'extérieur de la douche.

Dépannage

Ce guide de dépannage est destiné à fournir une aide d'ordre général uniquement. Pour des problèmes ou questions concernant l'entretien et l'installation, composer le 1-800-4KOHLER.

Symptômes	Cause probable	Action recommandée
1. La porte fait du bruit lorsqu'elle est ouverte ou fermée.	<p>A. Le joint biseauté entre le panneau fixe et le montant mural est manquant ou n'est pas complètement installé.</p> <p>B. Le galet du guide central est usé ou encrassé.</p> <p>C. Le panneau coulissant est trop bas et racle sur le guide central ou la base de la douche.</p> <p>D. Les galets sont usés et bruyants.</p>	<p>A. Installer le joint biseauté et le pousser complètement en place conformément aux sections « Installer le joint biseauté » et « Assembler le linteau ».</p> <p>B. Retirer le panneau coulissant et nettoyer le galet du guide central. Remplacer le guide central si nécessaire.</p> <p>C. Ajuster les galets pour élever le panneau coulissant en suivant les instructions dans la section « Mettre le linteau à niveau ».</p> <p>D. Remplacer les galets.</p>
2. Il est difficile de déplacer la porte ou elle ne s'ouvre/ne se ferme pas.	<p>A. Le panneau coulissant est trop bas et racle sur le guide central ou la base de la douche.</p> <p>B. Le galet du guide central est trop serré.</p>	<p>A. Ajuster les galets pour élever le panneau coulissant en suivant les instructions dans la section « Mettre le linteau à niveau ».</p> <p>B. Ajuster le galet du guide central pour relâcher la pression sur le panneau coulissant conformément aux instructions dans la section « Ajuster les dispositifs de retenue de la porte et le guide central ».</p>
3. Le panneau coulissant ne reste pas fermé.	<p>A. Le panneau coulissant est trop bas et racle sur le guide central ou la base de la douche.</p>	<p>A. Ajuster les galets pour élever le panneau coulissant en suivant les instructions dans la section « Mettre le linteau à niveau ».</p>
4. Fuites d'eau.	<p>A. Des fuites d'eau sont présentes sous le panneau fixe.</p> <p>B. Fuites d'eau entre le mur et le montant mural.</p> <p>C. Fuites d'eau entre le panneau coulissant et le panneau fixe.</p>	<p>A. Appliquer du mastic à la silicone à 100 % sur le rebord inférieur extérieur du panneau fixe. Laisser prendre le mastic d'étanchéité selon les instructions du fabricant avant d'utiliser la douche.</p> <p>B. Appliquer du mastic à la silicone à 100 % à l'emplacement où le mur entre en contact avec le montant mural, à l'intérieur et à l'extérieur de la douche. Laisser prendre le mastic d'étanchéité selon les instructions du fabricant avant d'utiliser la douche.</p> <p>C. Vérifier que les joints racleurs verticaux sont installés correctement.</p>

Instrucciones de instalación

Puerta corrediza de ducha

Gracias por elegir productos KOHLER

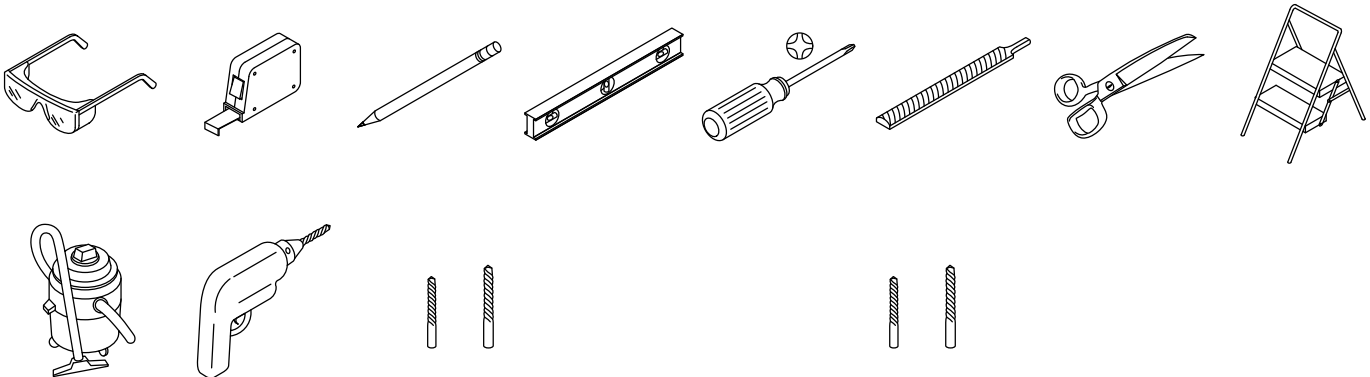
¿Necesita ayuda? Comuníquese con nuestro Centro de Atención al Cliente.

- EE. UU./Canadá: 1-800-4KOHLER (1-800-456-4537) México: 001-800-456-4537
- **Piezas de repuesto:** kohler.com/serviceparts
- **Cuidado y limpieza:** kohler.com/clean
- **Patentes:** kohlercompany.com/patents

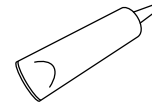
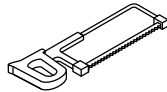
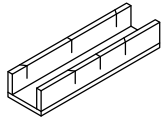
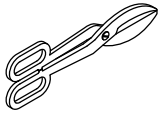
Garantía

A este producto lo cubre la garantía limitada de diez años para puertas de bañeras y de duchas de **KOHLER®**, que puede consultarse en kohler.com/warranty. Comuníquese con el Centro de Atención al Cliente para obtener una copia impresa de los términos de la garantía.

Herramientas y materiales



5/16 pulg, 1/4 pulg Broca para mampostería para azulejo: 5/16 pulg, 1/4 pulg



Tijeras para chapa Caja de ingletes Hoja de 32 dientes/pulg Cinta de enmascarar Sellador 100 % de silicona



Guantes de protección

Más:

- Tronzadora para metales o sierra circular
- Botella con rociador

Antes de comenzar

- ⚠ AVISO: Riesgo de lesiones graves.** Daños anteriores a la instalación pueden ocasionar que el vidrio se quiebre en pedazos. Antes de hacer la instalación, revise el vidrio y todas las piezas para ver si han sufrido daños.
- ⚠ AVISO: Riesgo de lesiones graves.** Si la instalación se hace de manera incorrecta, el vidrio podría quebrarse en pedazos. Siga todas las instrucciones de instalación.
- ⚠ AVISO: Riesgo de lesiones graves.** No intente recortar el vidrio templado. El vidrio templado se quiebra en pedazos al tratar de recortarlo.
- ⚠ AVISO: Riesgo de sufrir lesiones graves.** Los paneles de puerta de la ducha podrían quebrarse en pedazos. Revise con regularidad el vidrio y todas las piezas para ver si han sufrido daños, si algo falta o si hay piezas sueltas.
- ⚠ AVISO: Riesgo de lesiones graves.** Siempre use anteojos de seguridad al cortar y al taladrar.
- ⚠ PRECAUCIÓN: Riesgo de sufrir lesiones personales.** El vidrio templado no debe hacer contacto con superficies duras, ya que podría quebrarse en pedazos. No toque el borde de un panel de vidrio templado con herramientas ni con ningún otro objeto duro.
- ⚠ PRECAUCIÓN: Riesgo de sufrir lesiones personales.** El vidrio templado puede estrellarse. Use mangas largas y ropa de protección para evitar sufrir lesiones en caso de que el vidrio se estrellé.

¡IMPORTANTE! Deje este manual para el usuario final. Lea todas las instrucciones antes de instalar o usar este producto.

¡IMPORTANTE! Esta puerta está diseñada para paredes que estén hasta 3/8" (10 mm) de estar a plomo. Verifique que el área a la que se vaya a fijar la puerta esté a menos de 3/8" (10 mm) de estar a plomo. Es posible que la puerta no funcione correctamente si la pared está fuera de plomo más de 3/8" (10 mm).

¡IMPORTANTE! No instale esta puerta sobre una base de ducha de hierro fundido.

¡IMPORTANTE! No retire los protectores esquineros de los paneles de puerta, mientras no se hayan instalado estos paneles.

NOTA: La manija puede parecer distinta a la ilustrada. Los pasos de instalación son los mismos.

Cubra el desagüe con cinta de enmascarar para evitar perder piezas pequeñas.

Identifique todas las piezas antes de la instalación. Revise que no estén dañadas.

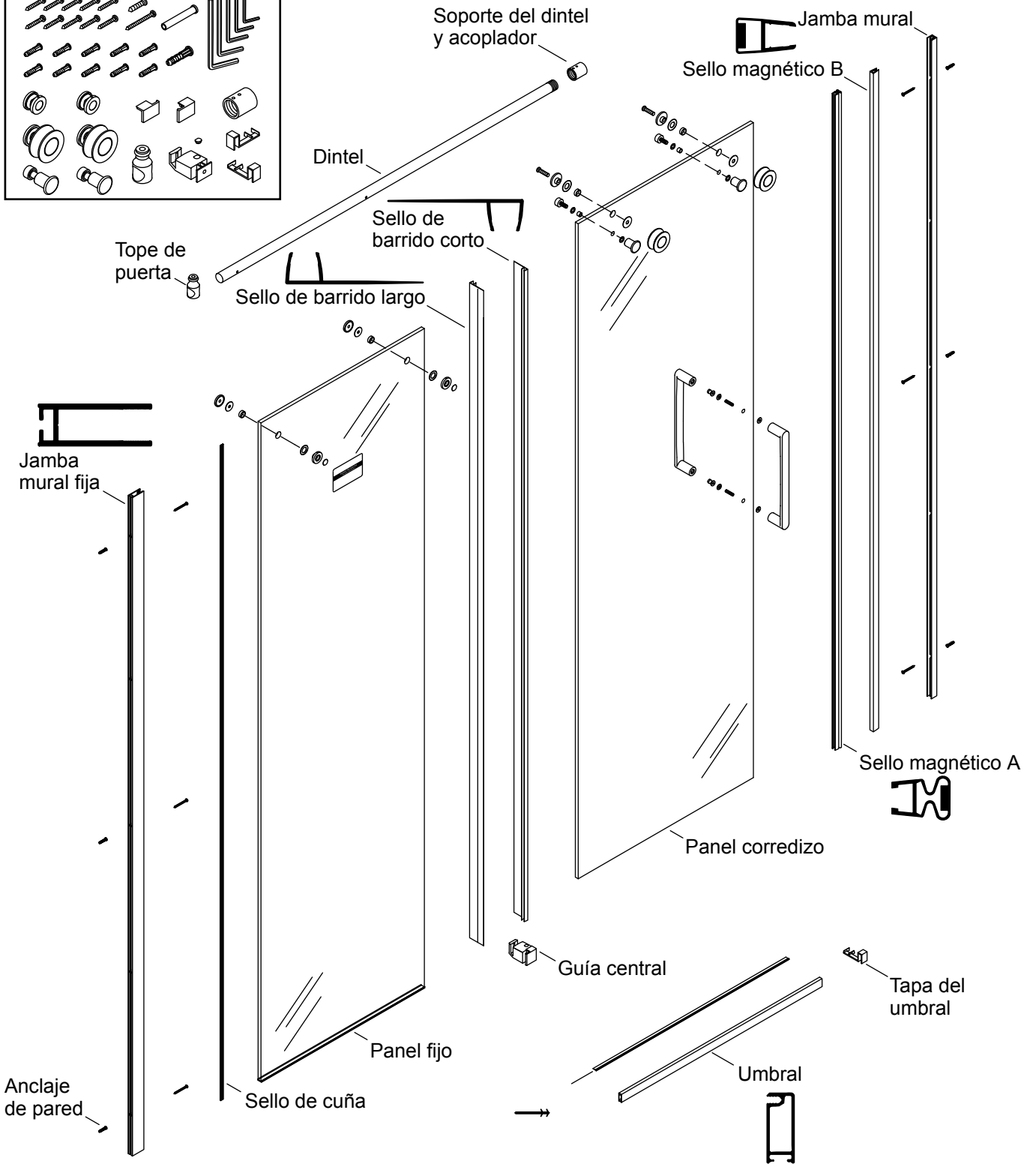
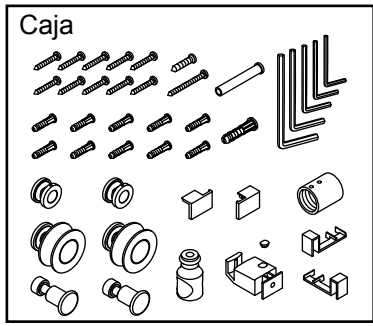
Siga las instrucciones de aplicación y de tiempo de secado del fabricante del sellador de silicona.

Se requieren 2 personas para hacer esta instalación.

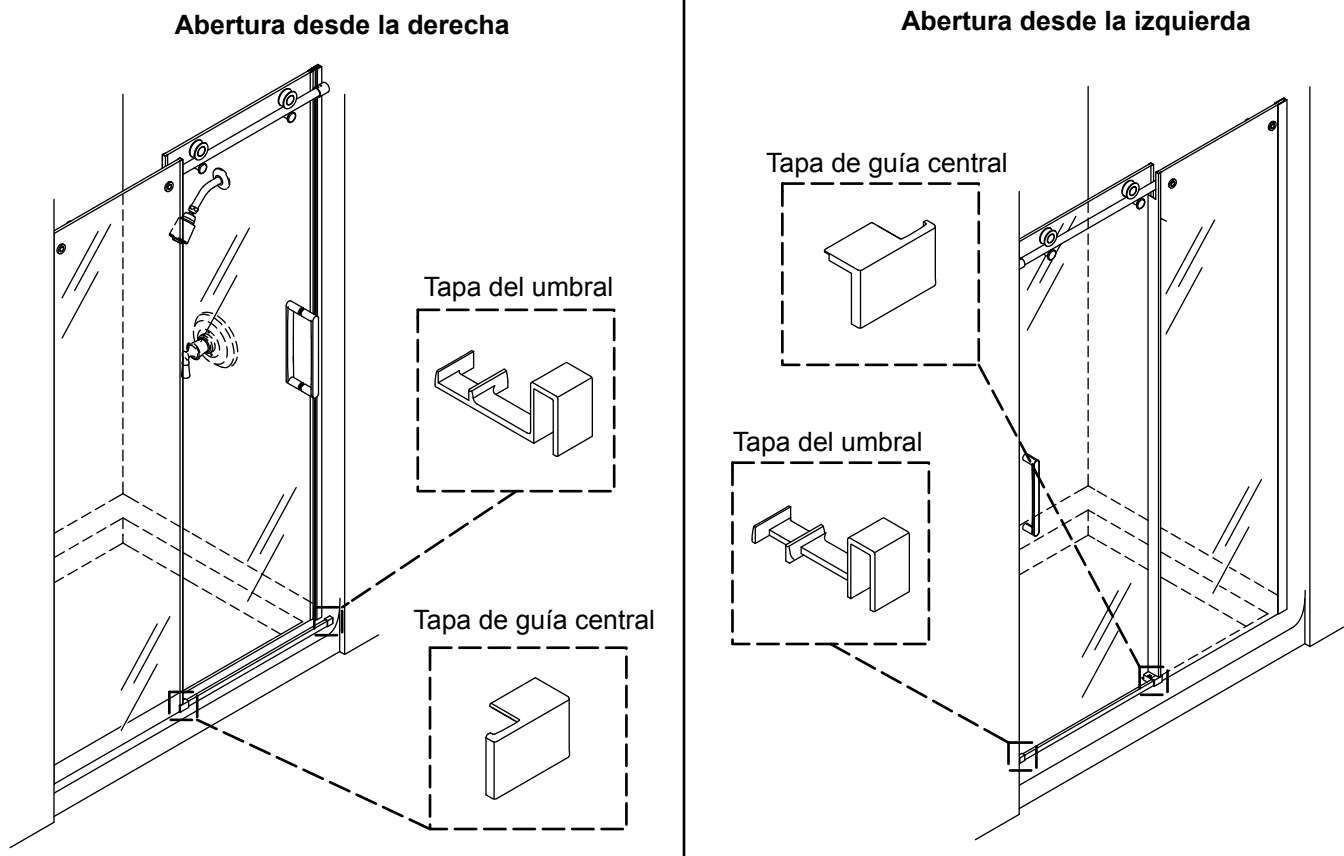
El panel fijo debe ser instalado en el lado opuesto a la cabeza de ducha.

Identificación de piezas

ES



1. Determine la configuración de la puerta



¡IMPORTANTE! En los pasos de instalación se muestra una configuración de abertura desde la derecha, a menos que se indique lo contrario.

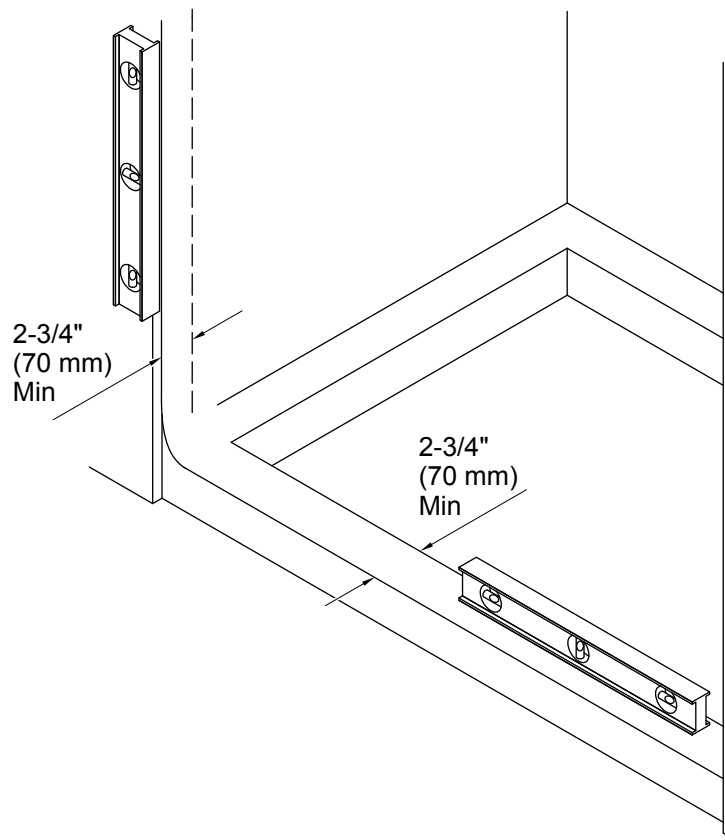
Determine si la puerta va a ser instalada en una configuración de abertura desde la derecha o desde la izquierda.

Se recomienda instalar el panel corredizo en el mismo extremo de la ducha donde se encuentra la cabeza de ducha.

Elija la tapa de guía central que corresponda a la configuración de la puerta.

Elija la tapa del umbral que corresponda a la configuración de su puerta.

2. Confirme la compatibilidad de los rebordes y las paredes



¡IMPORTANTE! Para asegurar la alineación y el funcionamiento correctos de la puerta, confirme que la base de la ducha y las paredes cumplan los siguientes requisitos. No instale la puerta si no se cumplen estos requisitos.

¡IMPORTANTE! No instale esta puerta sobre una base de ducha de hierro fundido.

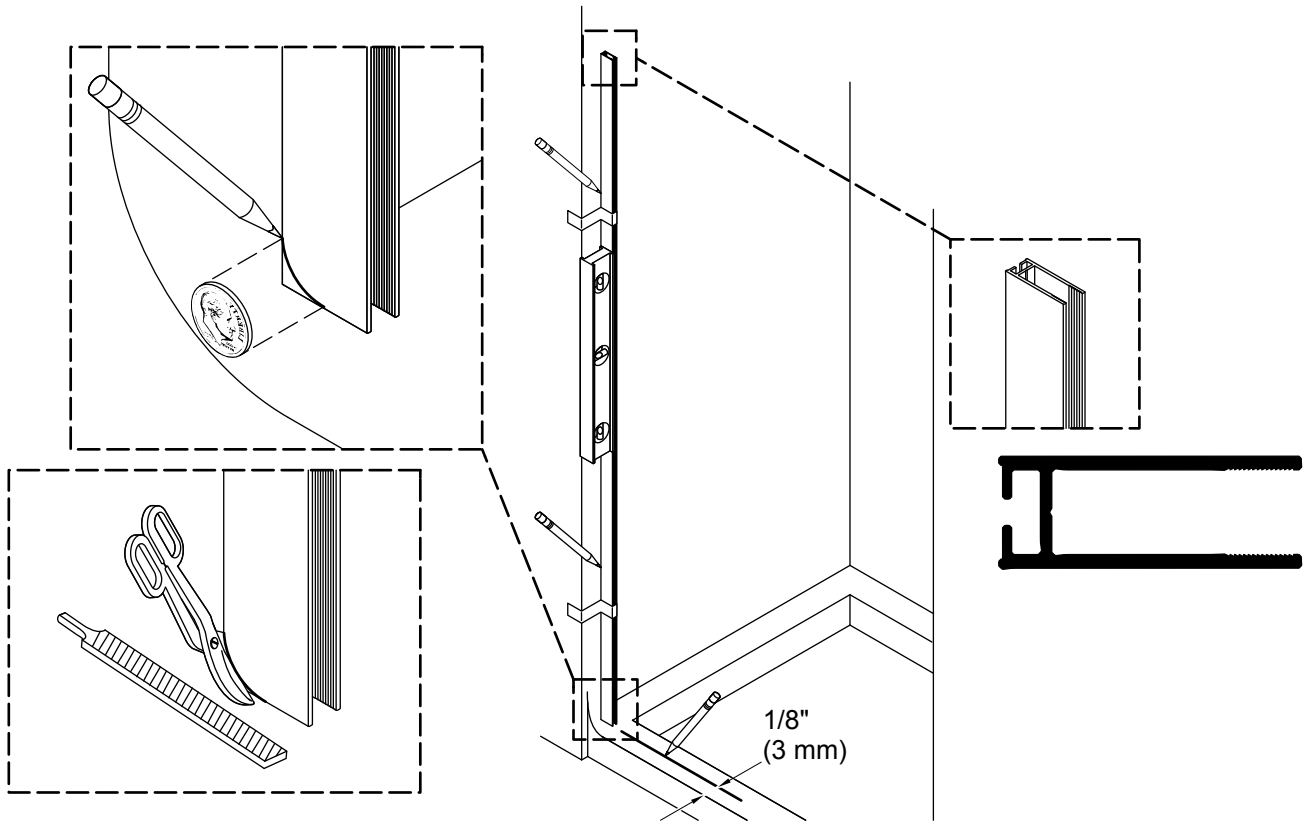
NOTA: Consulte la hoja de especificaciones para verificar la anchura adecuada de las puertas.

Debe haber por lo menos 2-3/4" (70 mm) de superficie plana en la base de la ducha y en las paredes.

Las paredes deben estar a menos de 3/8" (10 mm) de estar a plomo.

La base de la ducha debe estar nivelada entre las paredes.

3. Prepare la jamba mural



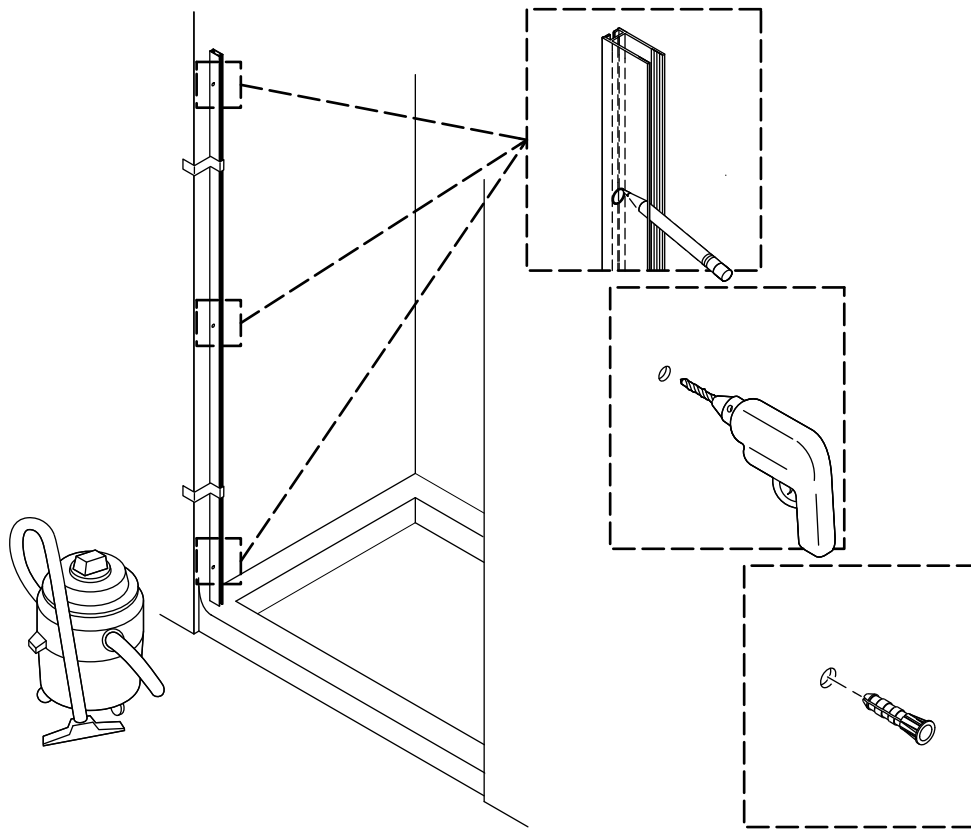
¡IMPORTANTE! La jamba mural debe quedar bien ajustada contra la base de la ducha y la pared.

¡IMPORTANTE! En los pasos de instalación se muestra una configuración de abertura desde la derecha, a menos que se indique lo contrario.

- Coloque la jamba mural contra la pared, de forma que quede a 1/8" (3 mm) a partir del frente de la base de la ducha, como se muestra. Si la base de la ducha tiene un labio frontal, mida a partir de la superficie plana dentro del borde del labio.
- De ser necesario, dé forma y lime cada esquina inferior para que ajuste contra la pared de la ducha. Con una moneda iguale y copie el radio de cada esquina.
- Coloque a plomo la jamba mural.
- Pegue bien la jamba mural en su lugar con cinta de enmascarar, y marque su lugar en la pared.

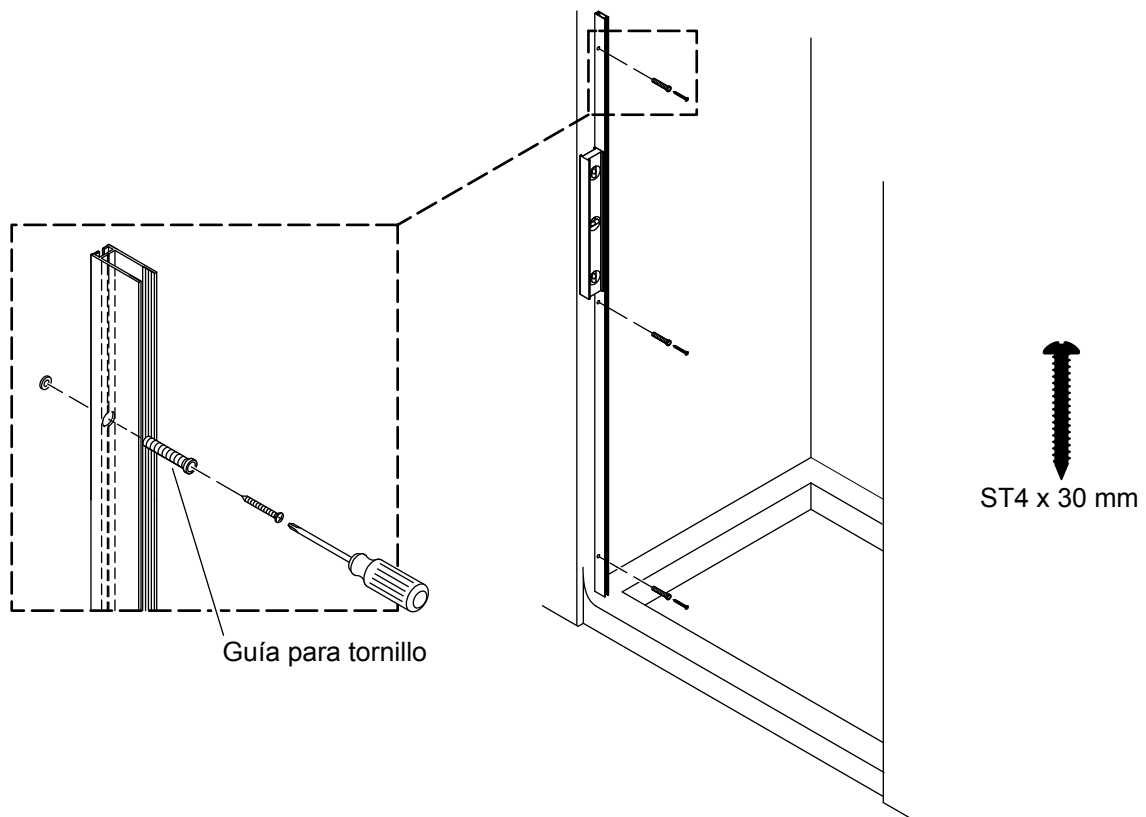
4. Marque los orificios de las jambas murales

ES



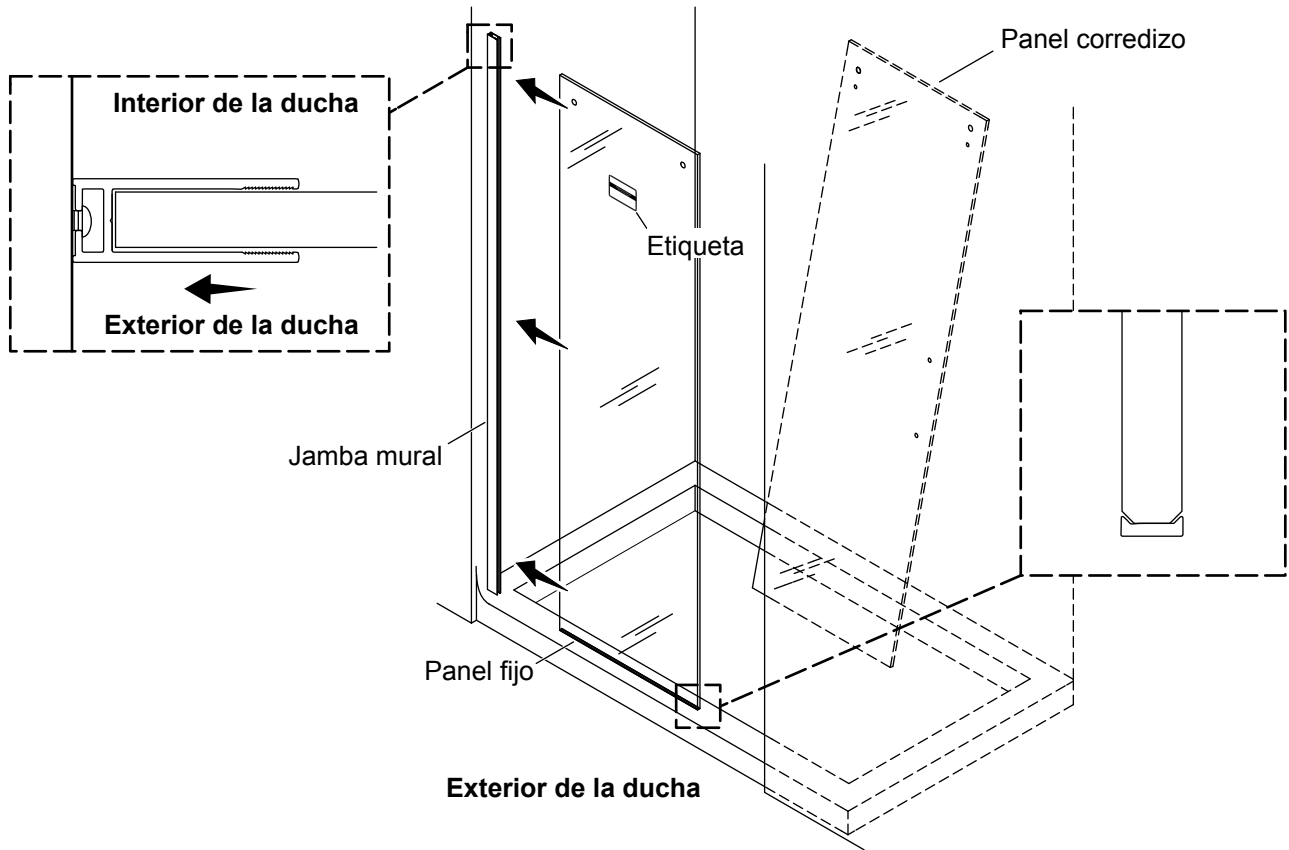
- Marque con un lápiz los 3 lugares para los orificios de anclaje de una jamba mural.
- Retire la jamba mural y colóquela a un lado.
- Taladre un orificio de 1/4 pulg en cada lugar marcado. En paredes de azulejo use una broca para mampostería.
- Instale los anclajes de pared que se incluyen. De ser necesario, dé golpes ligeros a los anclajes hasta que queden al ras contra la pared.
- Limpie por completo la base de la ducha y las paredes.

5. Instale la jamba mural



- Vuelva a colocar una de las jambas murales, alineada con los orificios de anclaje. Verifique que la jamba mural esté a plomo.
- Con una guía para tornillo, alinee cada tornillo y comience a atornillarlos. Solo apriete a mano.
- Fije la jamba mural con 3 de los tornillos ST4 x 30 mm, que se incluyen.

6. Instale el panel fijo



⚠ AVISO: El panel fijo no queda bien asegurado en la jamba mural mientras el sello en cuña y el dintel no hayan sido instalados. Tenga cuidado mientras completa la instalación.

⚠ PRECAUCIÓN: Riesgo de ocasionar daños al producto. Para evitar daños al vidrio, verifique que el sello de plástico transparente esté en el borde inferior del panel fijo.

¡IMPORTANTE! Antes de instalar el dintel, es necesario mover el panel corredizo hacia dentro del área de la ducha.

¡IMPORTANTE! La etiqueta en el panel fijo debe quedar hacia el exterior de la ducha.

NOTA: Realice el siguiente procedimiento entre 2 personas.

NOTA: El panel fijo puede ser identificado porque solo tiene 2 orificios en la parte superior.

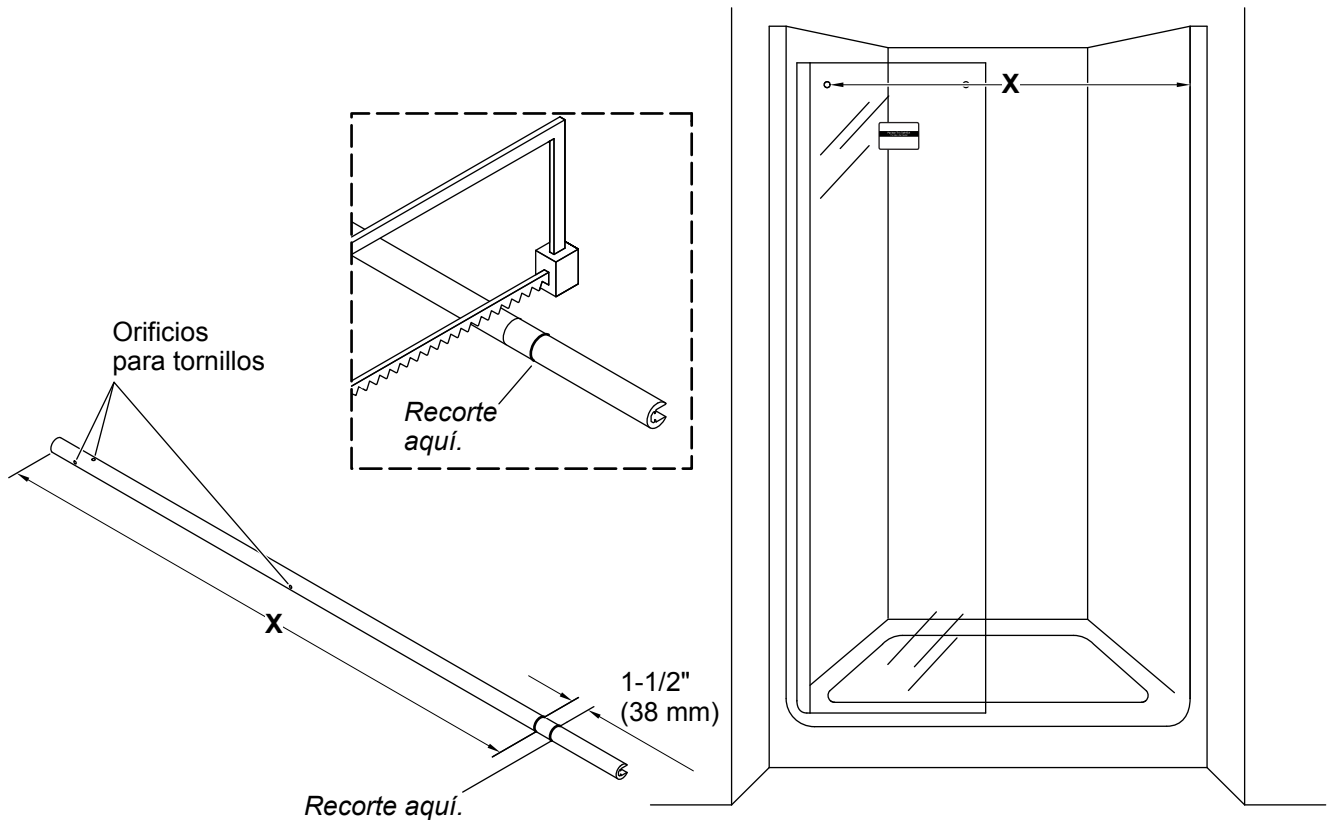
- Con ayuda, mueva el panel corredizo por completo hacia el área de la ducha.
- Oriente el panel corredizo con los orificios en la parte superior y los orificios para manija hacia la cabeza de ducha.

NOTA: No retire los protectores esquineros del panel corredizo.

NOTA: El panel corredizo permanece en el área de la ducha hasta llegar a la sección "Instale el panel corredizo".

- Retire los protectores esquineros del panel fijo.
- Con ayuda, mueva el panel fijo a su lugar con la etiqueta hacia el exterior de la ducha y los orificios en la parte superior.

7. Mida y recorte el dintel

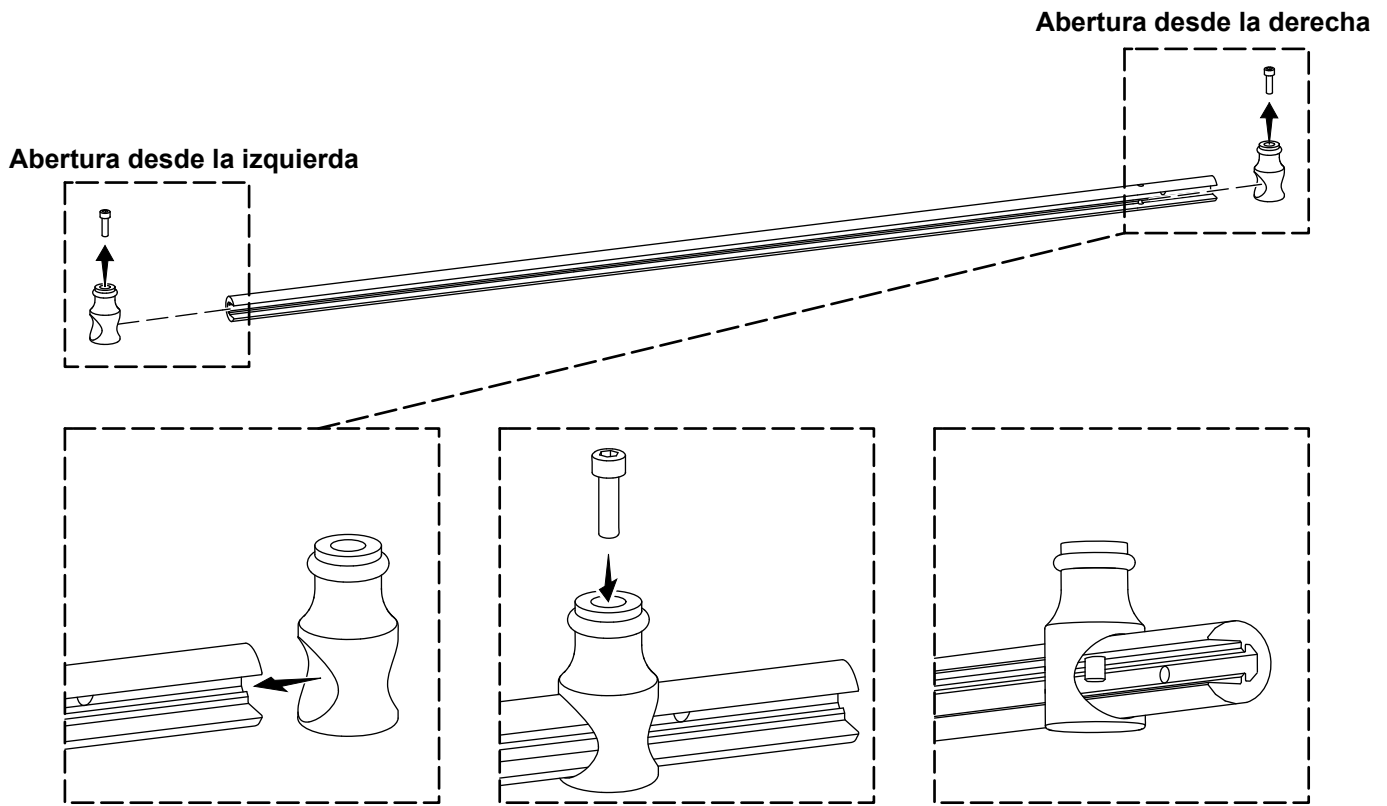


¡IMPORTANTE! Confirme sus medidas antes de recortar. No recorte el dintel demasiado corto.

AVISO: Para recortar el dintel recomendamos usar una tronzadora o una sierra circular para metales. Si no tiene una de estas, una sierra de arco para metales y una caja de ingletes serían suficientes.

- Identifique el orificio en el panel fijo más cercano a la pared. Mida la distancia "X" desde el centro de este orificio hasta la pared opuesta, como se muestra.
- Mida la distancia "X" desde el extremo del dintel más cercano hasta los orificios para tornillos. Haga una marca en "X" en el dintel.
- Mida 1-1/2" (38 mm) adicionales a partir de "X", como se muestra, y haga una segunda marca en el dintel. Si la segunda marca sobrepasa el extremo del dintel, no es necesario recortar el dintel.
- Recorte el dintel en la segunda marca.
- Lime los bordes ásperos.

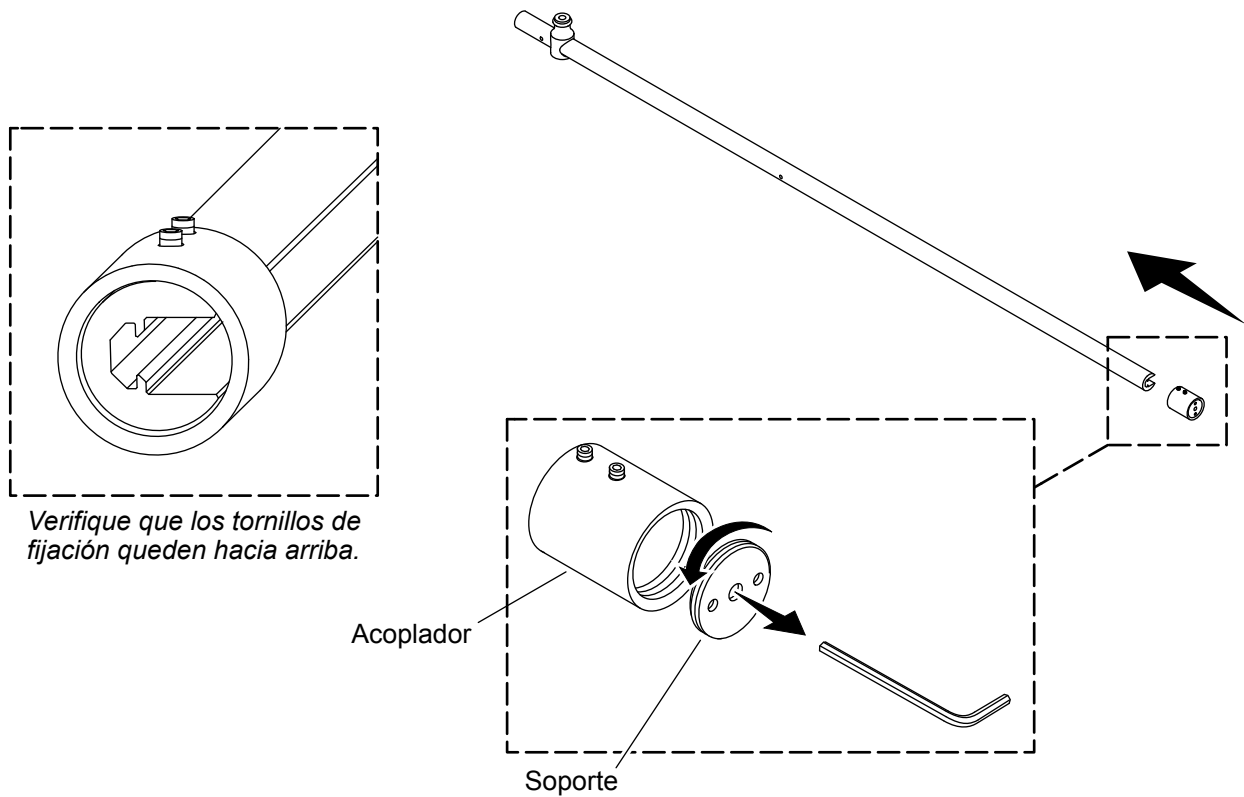
8. Instale el tope de la puerta



NOTA: Instale el tope de acuerdo a la configuración de puerta deseada.

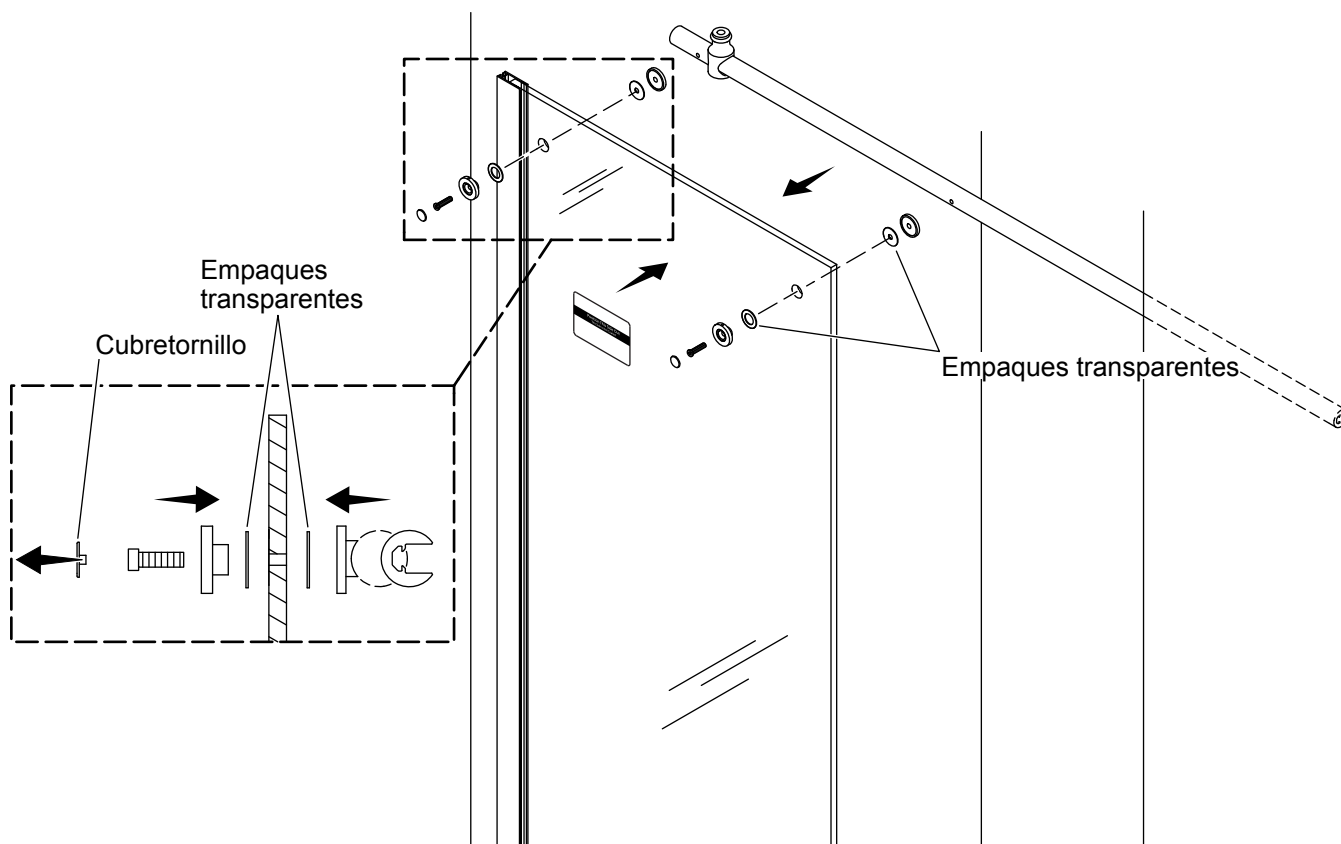
- Saque el tornillo de resalto del parachoques de la puerta.
- Deslice el parachoques de la puerta sobre el dintel en el lado que tiene orificios roscados.
- Alinee el parachoques de la puerta con el orificio vertical del dintel como se muestra, e introduzca el tornillo de resalto.
- Apriete el tornillo de resalto con la llave de apriete hexagonal de 5 mm, que se incluye.

9. Instale el acoplador



- Deslice el acoplador en el extremo del dintel hasta que el dintel haga contacto con el soporte.
- Verifique que los tornillos de fijación queden hacia arriba.
- Apriete ligeramente el tornillo de fijación en la mitad del acoplador con la llave de apriete hexagonal de 2,5 mm para sostener el acoplador en su lugar.
- Desenrosque el soporte del acoplador, y coloque el soporte a un lado.

10. Instale el dintel

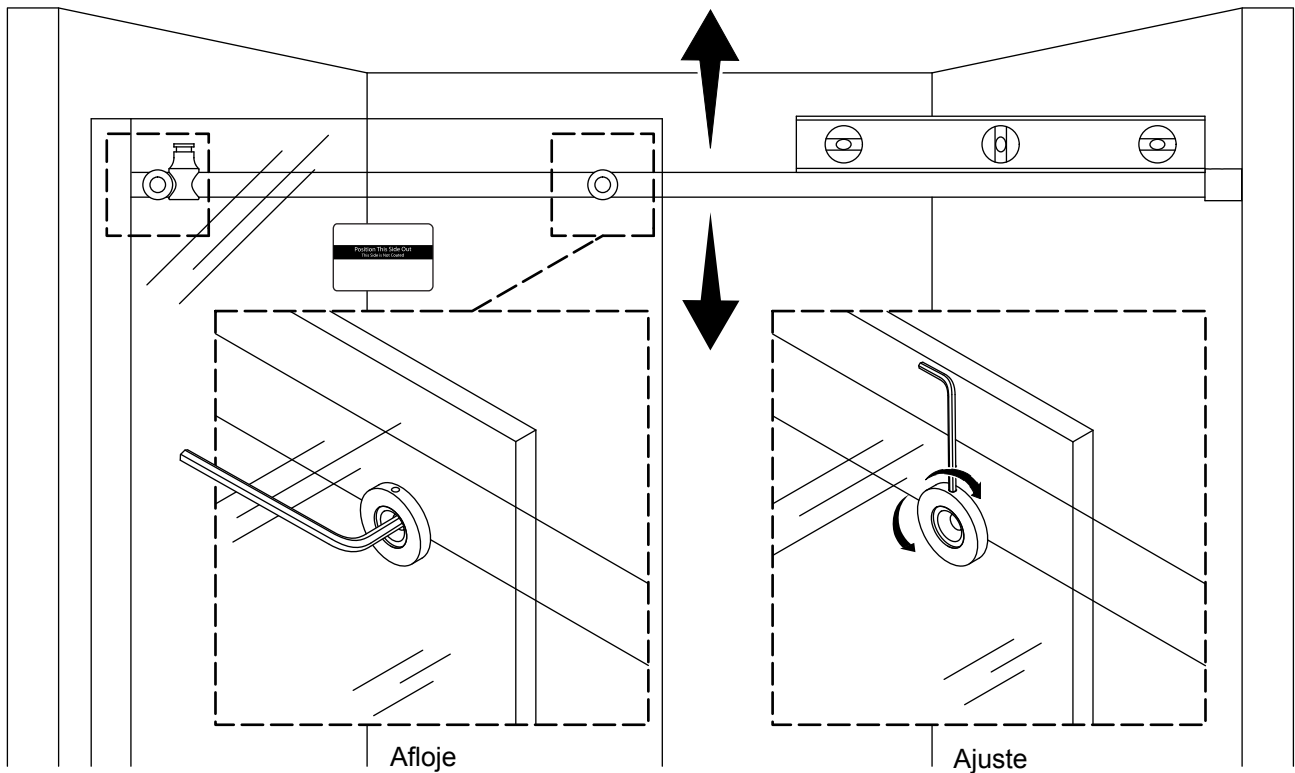


¡IMPORTANTE! El dintel se instala al panel fijo en el interior de la ducha.

NOTA: Retire el cubretornillo de cada uno de los montajes del dintel, y colóquelos a un lado.

- Ensamble los montajes del dintel en el panel fijo, como se muestra.
- Verifique que los empaques transparentes estén en su lugar a ambos lados de los montajes del dintel. Podría ser difícil verlos.
- Desde el exterior de la ducha, empuje un perno de montaje del dintel a través de cada montaje, y atorníllelo en los orificios para tornillos en el dintel. Apriete los pernos con la llave de apriete hexagonal de 4 mm, que se incluye. **¡No los apriete demasiado!**
- Verifique que el dintel quede asentado por completo en las superficies curvas de los montajes del dintel.

11. Nivele el dintel



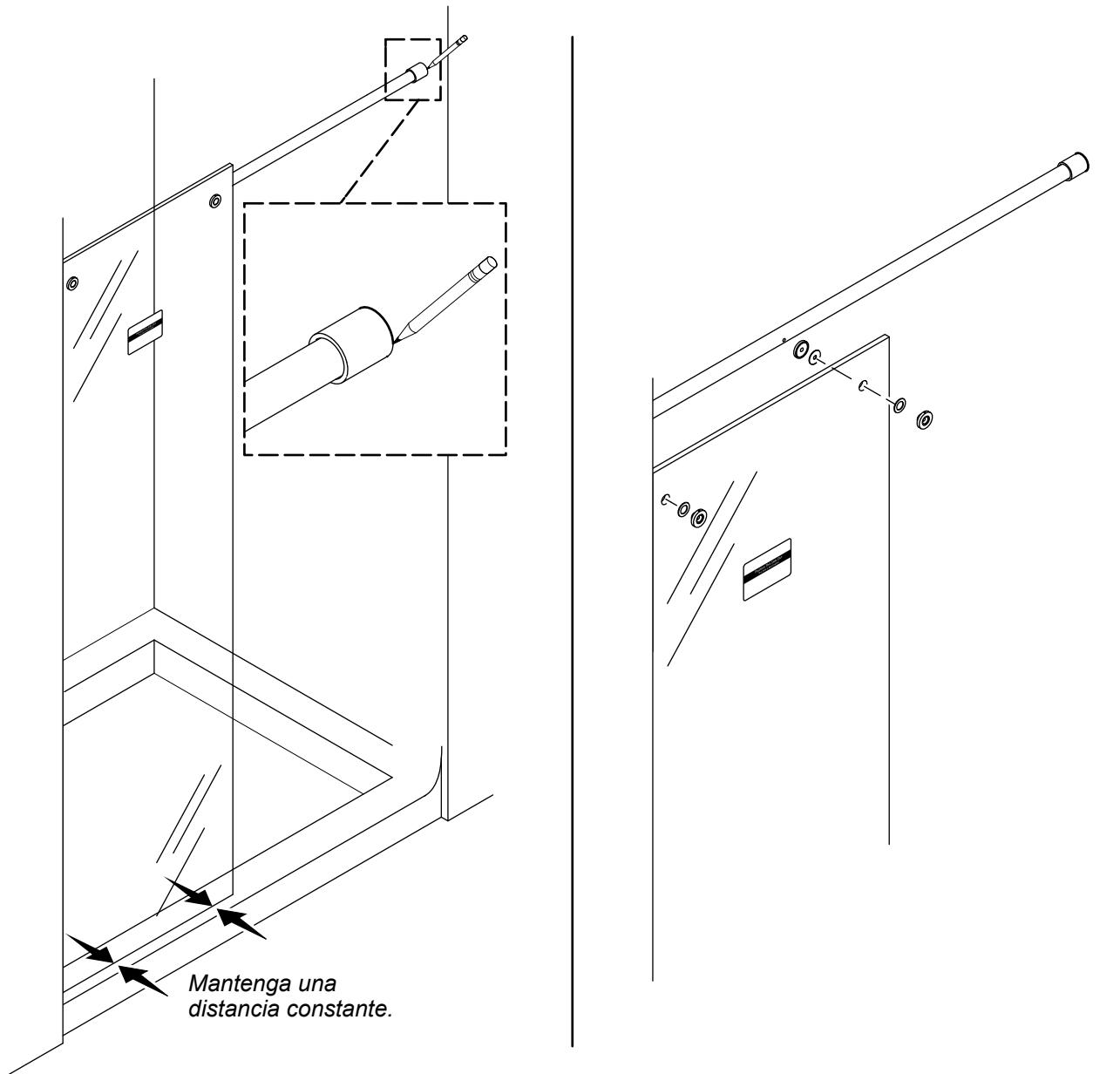
¡IMPORTANTE! El dintel debe estar nivelado antes de seguir adelante.

¡IMPORTANTE! Verifique que el panel fijo descansa plano sobre el reborde de la ducha.

- Si es necesario nivelar el dintel, afloje ligeramente los tornillos de montaje del dintel con la llave de apriete hexagonal de 4 mm.
- Para ajustar el dintel, coloque la llave de apriete hexagonal de 2 mm en el orificio pequeño en el montaje del dintel. Gire los montajes del dintel para nivelar el dintel.
- Cuando el dintel quede nivelado, apriete los tornillos de montaje del dintel con la llave de apriete hexagonal de 4 mm.

12. Marque el montaje del dintel

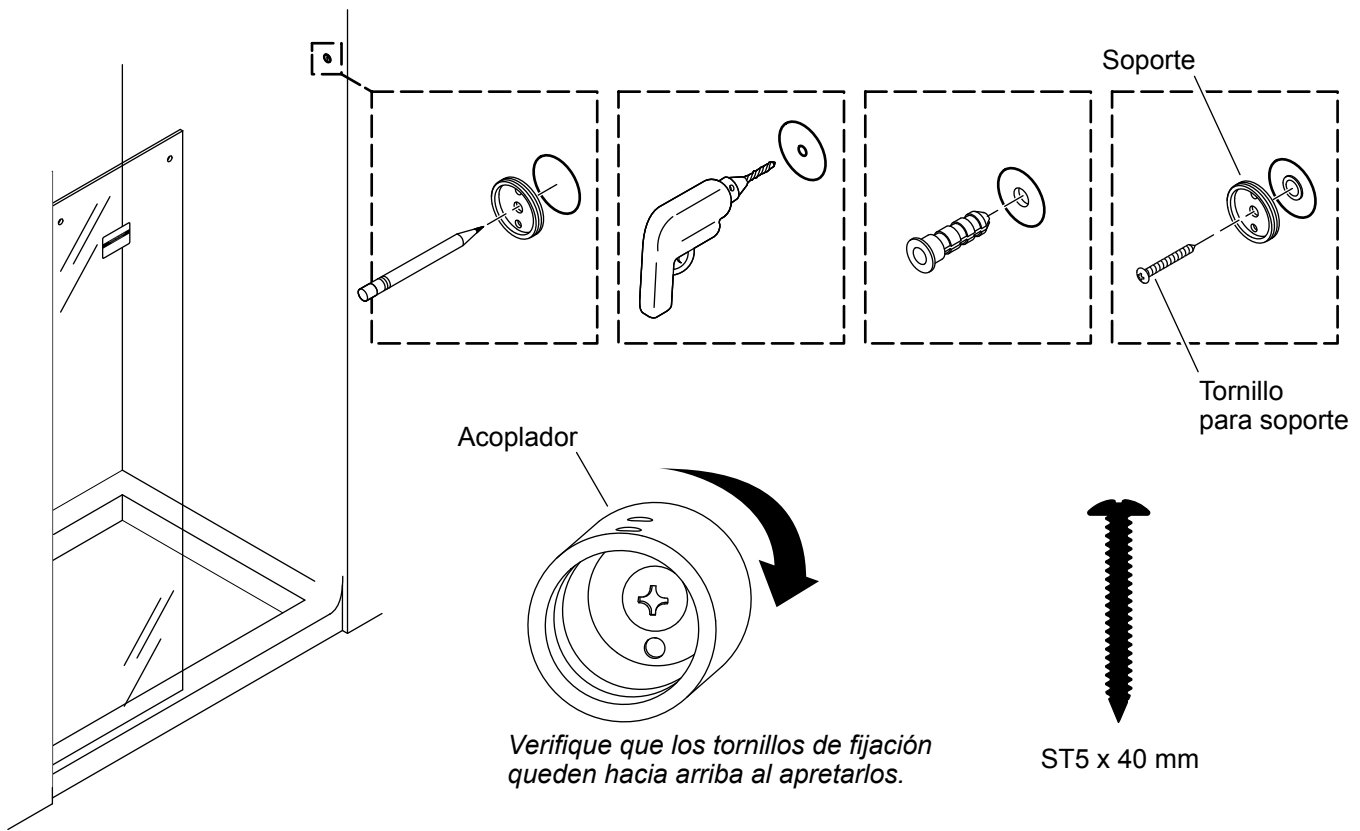
ES



AVISO: El dintel debe quedar nivelado y bien asegurado al panel fijo. Si es necesario, vuelva a la sección "Nivele el dintel".

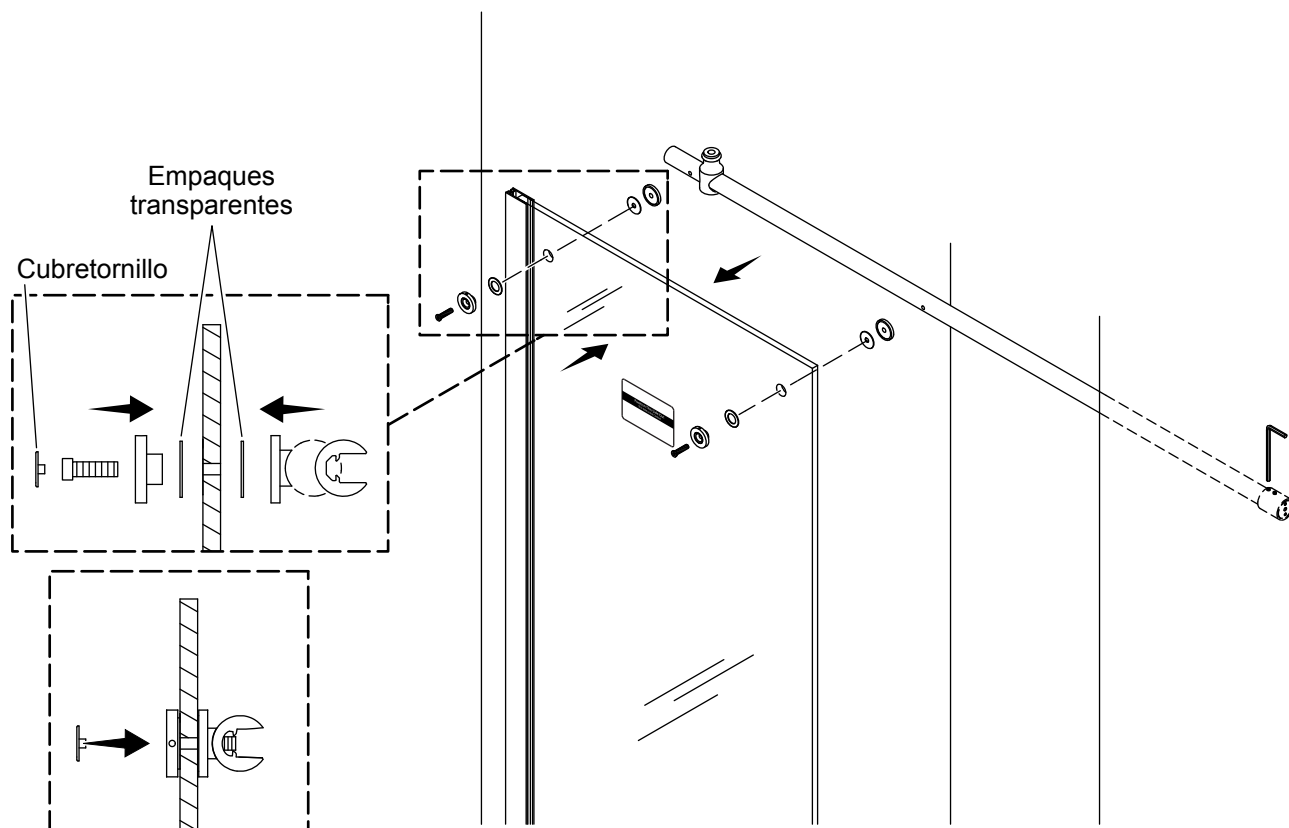
- Verifique que el panel fijo quede a una distancia constante del radio de la base de la ducha.
- Afloje los tornillos de fijación en el acoplador. Deslice el acoplador a la pared y marque su lugar.
- Retire el acoplador.
- Retire el dintel del panel fijo.

13. Instale el soporte del dintel



- Alinee el soporte del dintel con la marca en la pared. Para mayor exactitud, el soporte del dintel puede volverse a instalar temporalmente en el acoplador.
- Marque en la pared el lugar del orificio central del soporte del dintel.
- Taladre un orificio de 5/16 pulg en la marca central del soporte del dintel.
- Instale el anclaje grande de pared, que se incluye. Verifique que el anclaje quede asentado por completo contra la pared.
- Instale el soporte con el tornillo ST5 x 40 mm, que se incluye.
- Gire el acoplador con firmeza a la pared, y verifique que los tornillos de fijación queden hacia arriba.
- Si los tornillos de fijación no quedan hacia arriba, afloje el tornillo del soporte y gire el acoplador y el soporte juntos hasta que los tornillos de fijación queden hacia arriba. Apriete el tornillo del soporte.
- Limpie por completo la base de la ducha y la pared.

14. Vuelva a instalar el dintel



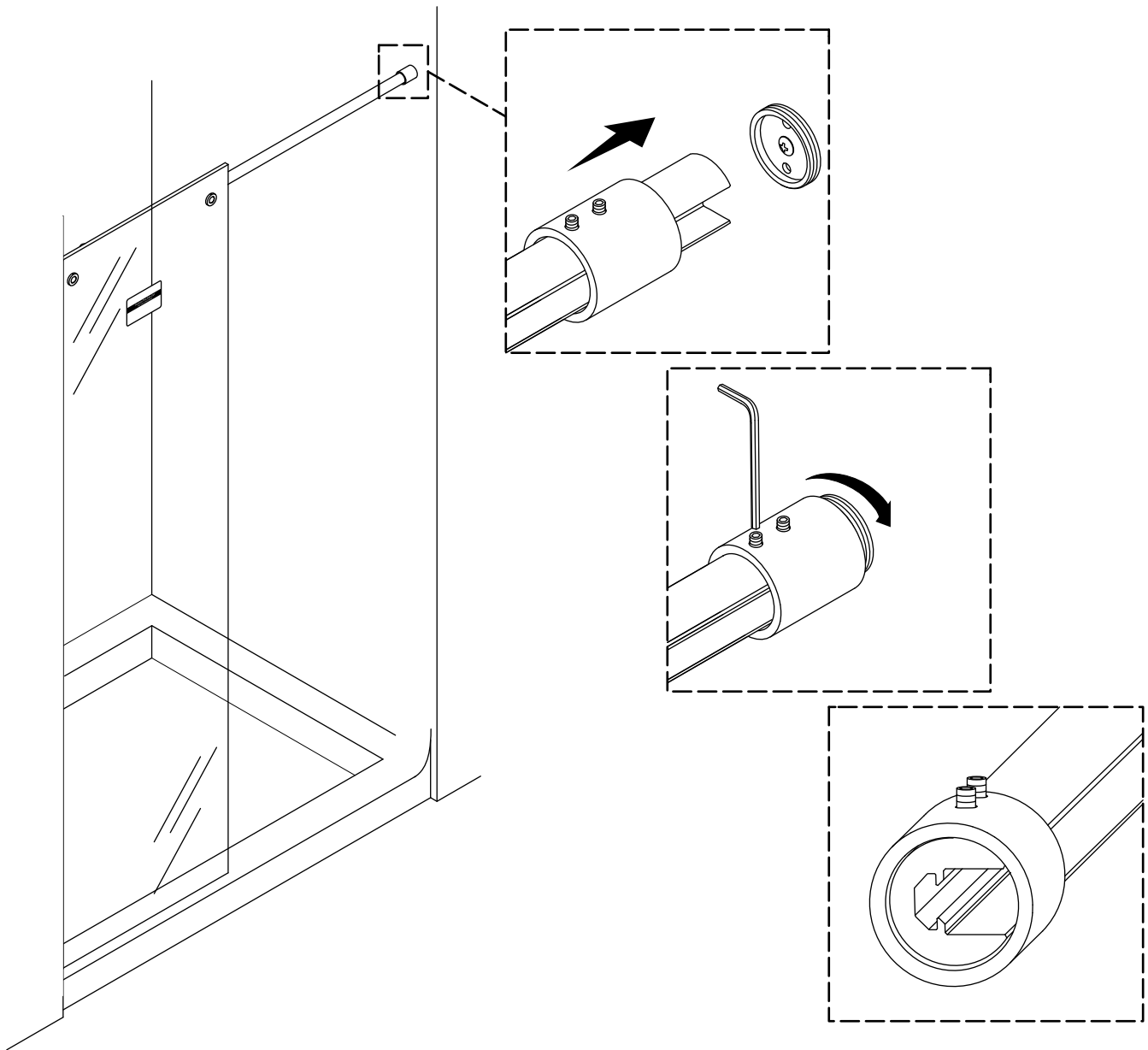
¡IMPORTANTE! El dintel se instala al panel fijo en el interior de la ducha.

- Desenrosque el soporte del acoplador, y coloque el soporte a un lado.
- Ensamble los montajes del dintel en el panel fijo, como se muestra.
- Verifique que los empaques transparentes estén en su lugar a ambos lados de los montajes del dintel. Podría ser difícil verlos.

NOTA: Para mantener la alineación apropiada, al apretar sostenga el dintel contra el montaje interior del dintel.

- Desde el exterior de la ducha, empuje un perno de montaje del dintel a través de cada montaje, y atorníllelo en los orificios para tornillos en el dintel. Apriete los pernos con la llave hexagonal de 4 mm, que se incluye. **¡No los apriete demasiado!**
- Instale las cubiertas de tornillos.
- Verifique que el dintel quede nivelado. Consulte la sección "Nivele el dintel".

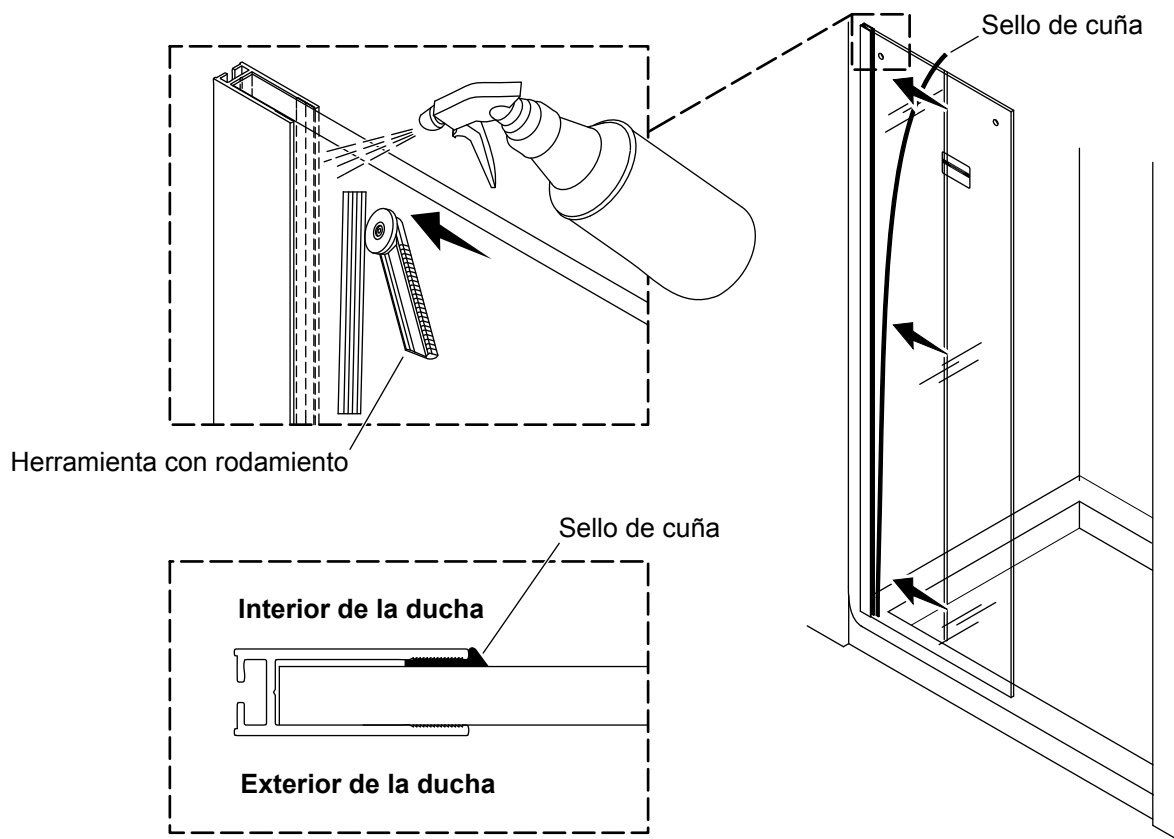
15. Fije el dintel



¡IMPORTANTE! No use fuerza para alinear el dintel con el soporte mural. Si el dintel no está alineado, revise que el dintel esté nivelado y que el panel mural fijo esté asentado correctamente. Si es necesario, haga pequeños ajustes de acuerdo con la sección “Nivele el dintel”.

- Deslice el acoplador hacia la pared, y atorníllelo al soporte de montaje del dintel.
- Oriente el acoplador de forma que los tornillos de fijación queden hacia arriba. Apriete los tornillos de fijación con la llave de apriete hexagonal de 2,5 mm, que se incluye.

16. Instale el sello en cuña

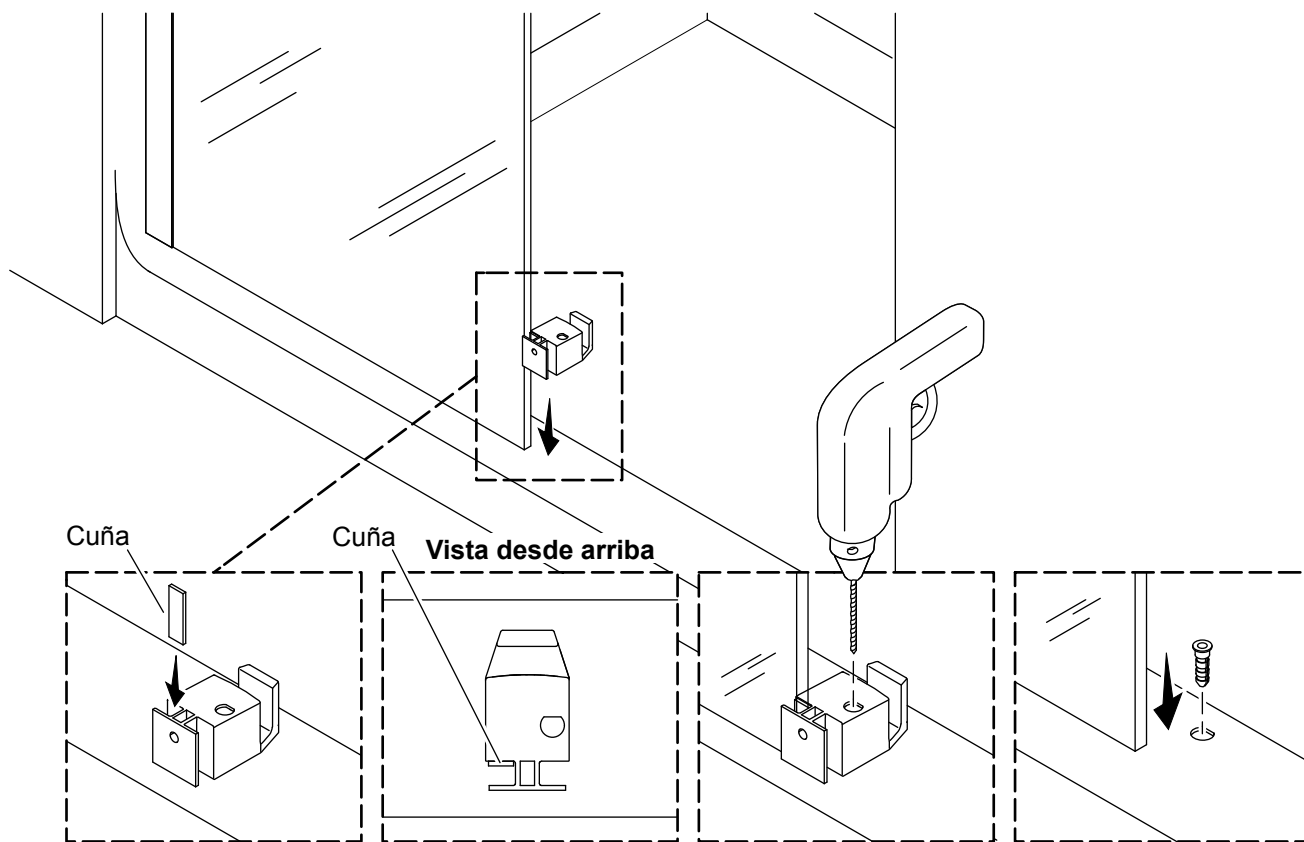


⚠ AVISO: Riesgo de ocasionar daños al producto. No use objetos filosos para empujar el sello en cuña dentro de su lugar.

NOTA: Se puede usar agua para introducir por completo más fácilmente el sello en cuña en la jamba mural.

- Comenzando por la parte inferior, con la herramienta con rodamiento que adjuntamos, empuje el sello de cuña por completo entre la jamba mural y el panel fijo, como se muestra.
- Recorte el exceso de longitud del sello de cuña.

17. Prepare la guía central

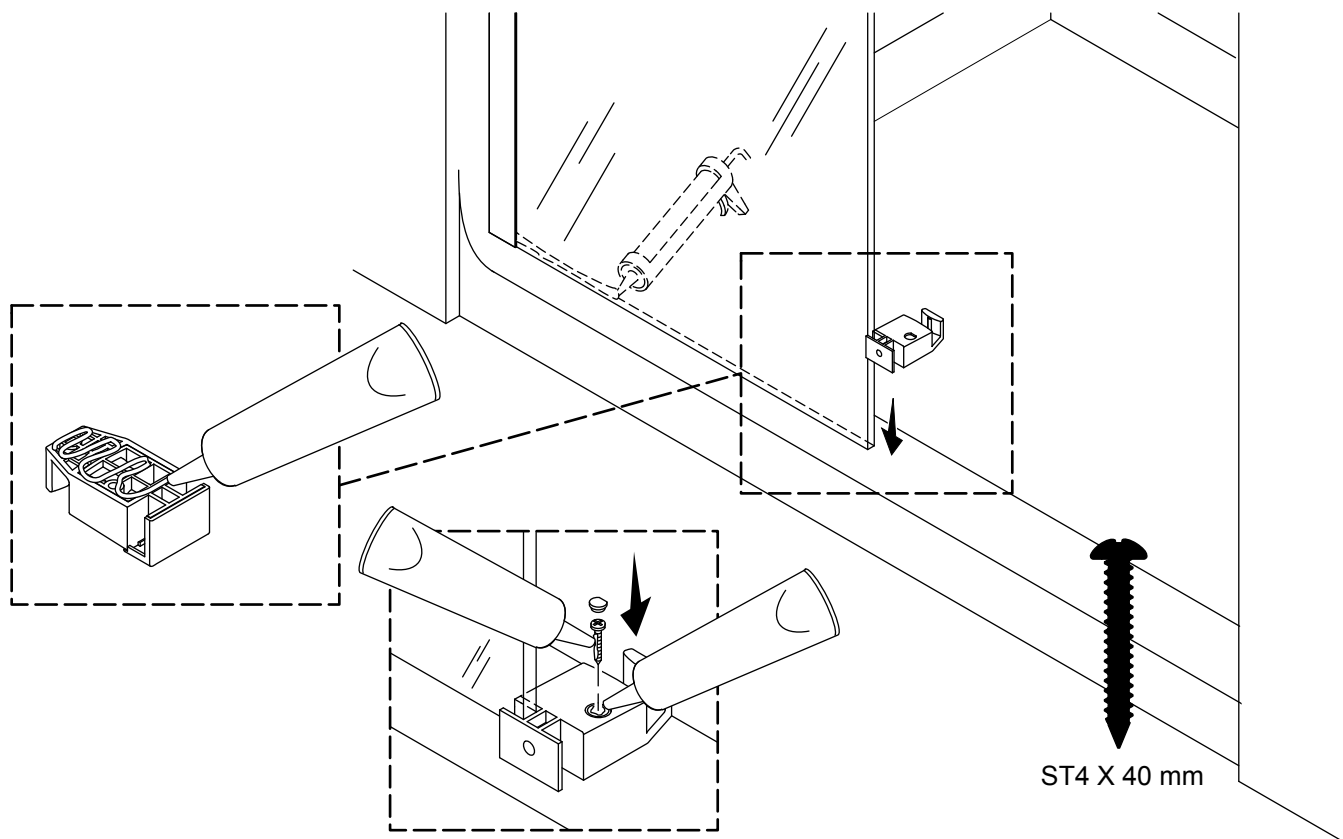


- Coloque la guía central en su lugar, como se muestra, para determinar en qué lado instalar la cuña. Esta posición varía de acuerdo a la configuración de la puerta de abrir desde la derecha a abrir desde la izquierda, como se determina en la sección "Determine la configuración de la puerta". Retire la guía central.

NOTA: La cuña que se incluye solo se requiere en puertas con un espesor de vidrio de 5/16" (8 mm). Las puertas con vidrio con espesor de 3/8" (10 mm) no requieren la cuña.

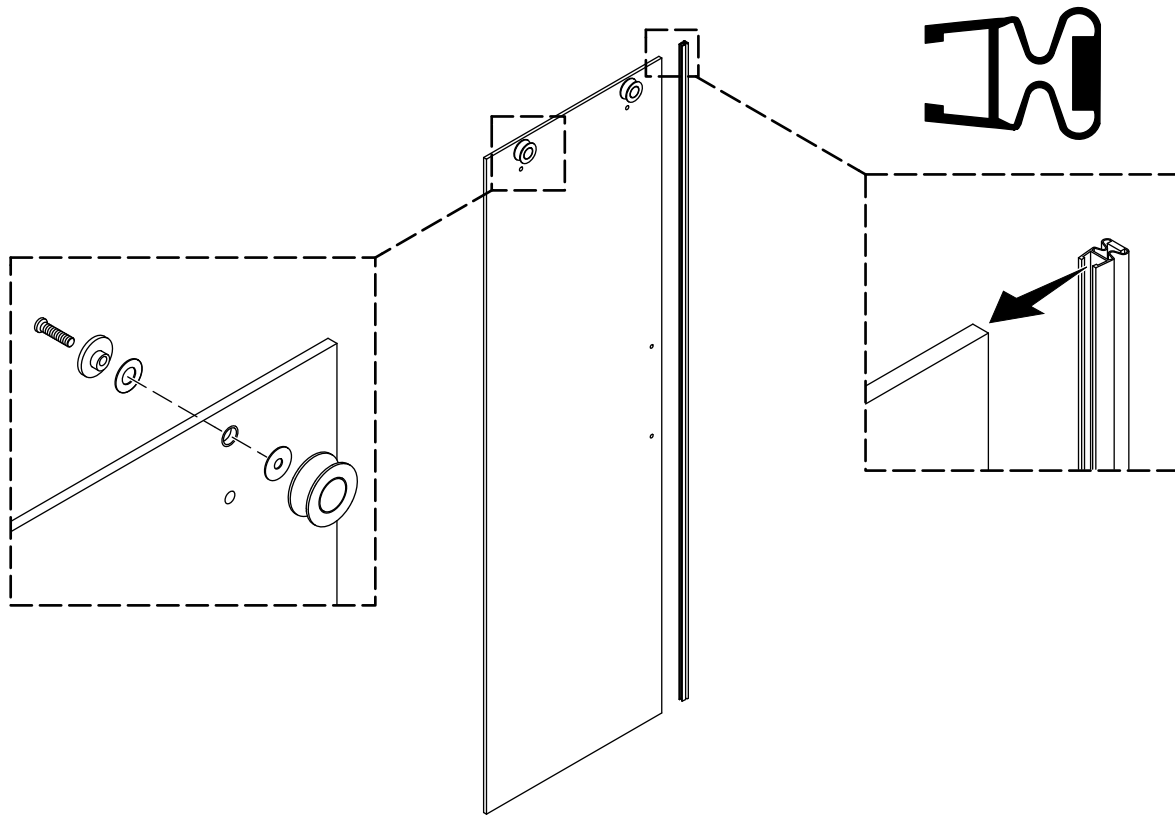
- Instale la cuña en la superficie de la guía central dentro de la ducha, de cara hacia el panel fijo.
- Coloque la guía central en la base de la ducha, de forma que el panel fijo quede asentado por completo en la cavidad.
- Utilizando el orificio en la guía central como guía, taladre un orificio de 1/4 pulg.
- Retire la guía central e introduzca el anclaje en el orificio.

18. Instale la guía central



- Aplique sellador 100 % de silicona a la parte inferior de la guía central.
- Coloque la guía central en la base de la ducha de forma que el panel fijo quede asentado por completo en la cavidad.
- Aplique sellador 100 % de silicona en el orificio de la guía central.
- Aplique sellador 100 % de silicona al tornillo ST4 x 40 mm, que se incluye, y fije la guía central.
- Meta a presión un tapaperno sobre el orificio para tornillo.
- Aplique sellador 100 % de silicona a lo largo del fondo del panel fijo donde se une a la base de la ducha dentro de la ducha.

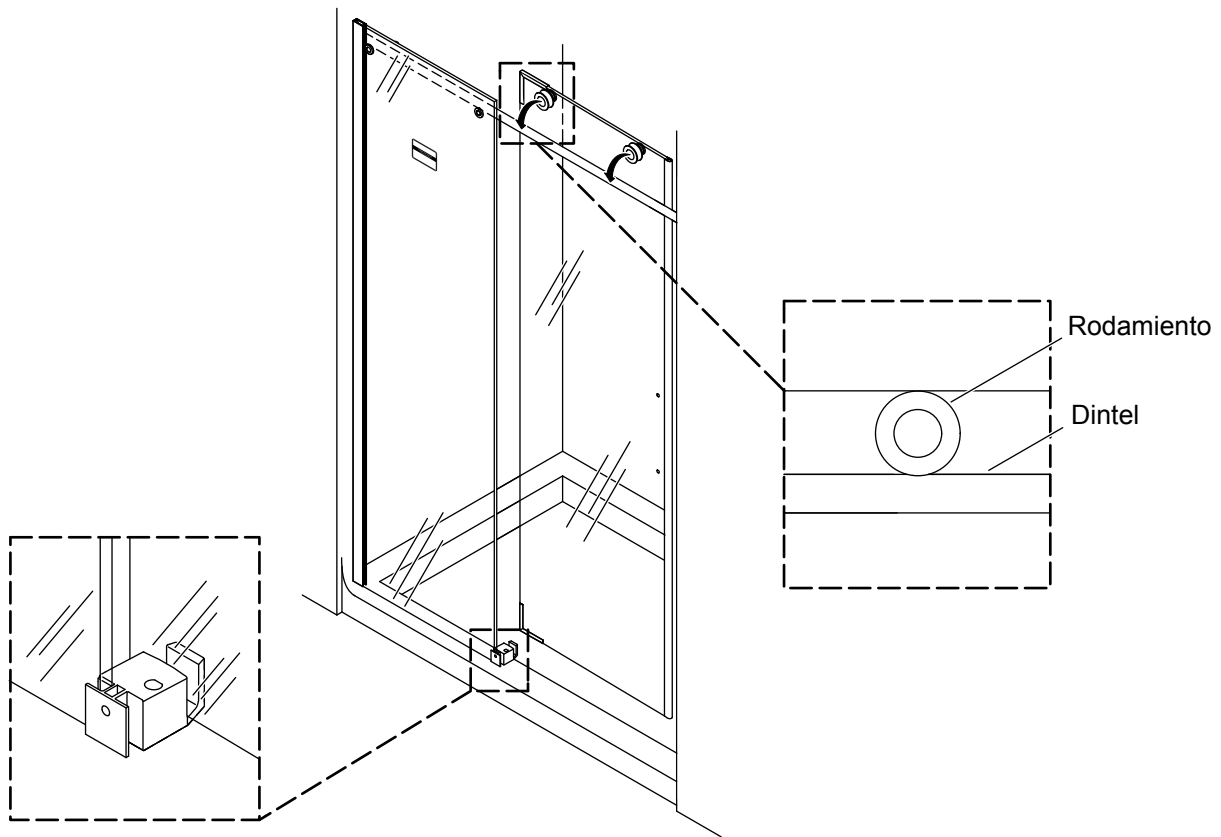
19. Ensamble el panel corredizo



- Instale una ruedita en cada uno de los orificios superiores del panel corredizo. Las rueditas deben colocarse en el lado exterior del panel corredizo.
- Apriete cada una de las rueditas con una llave de apriete hexagonal.
- Oprima el sello magnético contra el reborde más cercano a los orificios del panel corredizo. El sello magnético debe quedar al ras con la parte superior del panel corredizo.

20. Instale el panel corredizo

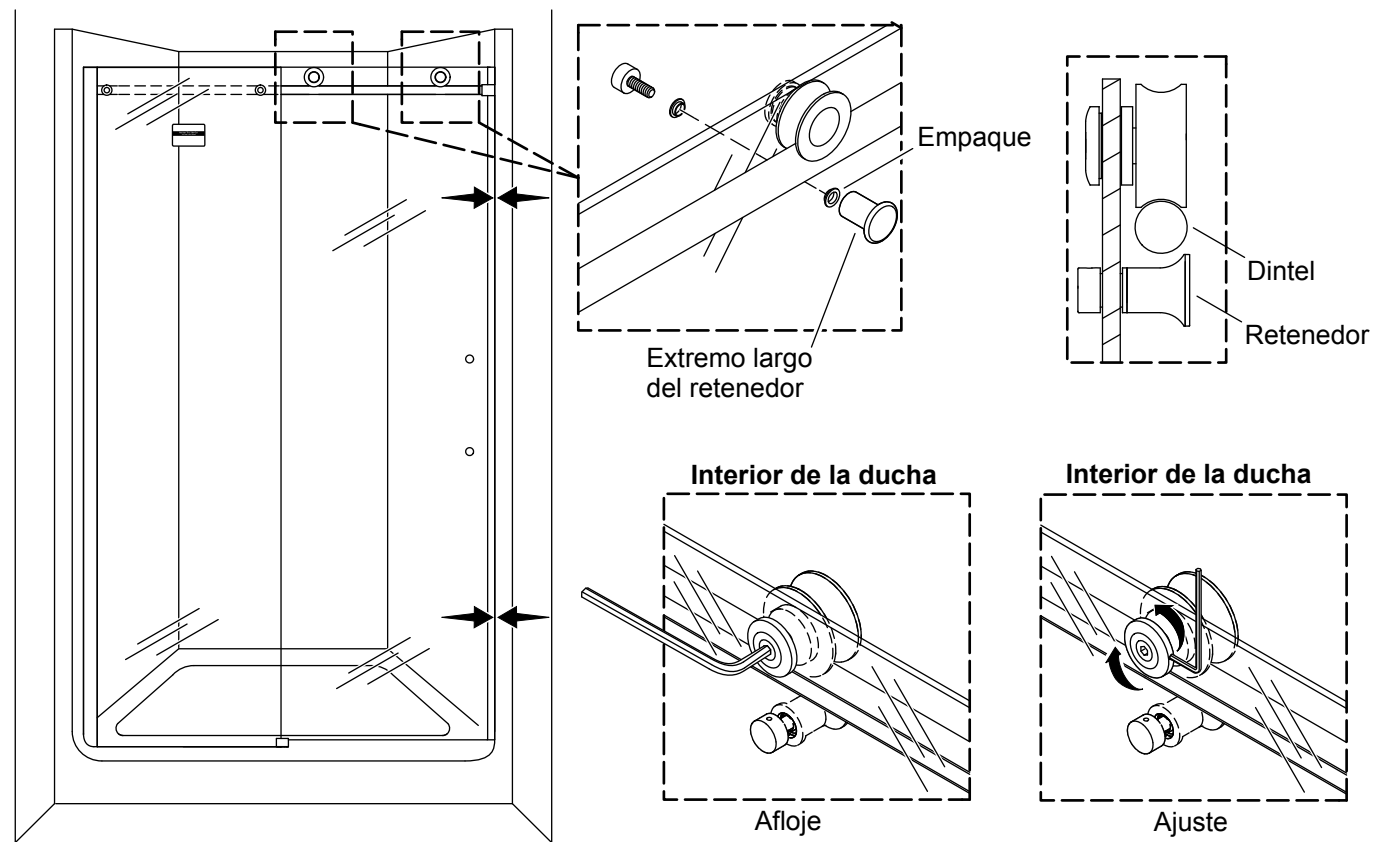
ES



NOTA: Realice el siguiente procedimiento entre 2 personas.

- Desde el interior de la ducha, levante el panel de la puerta y coloque el borde inferior en el canal posterior de la guía central.
- Coloque ambas rueditas en la parte superior del dintel.
- Retire los protectores esquineros del panel de la puerta.

21. Ajuste el panel corredizo



Instale los retenedores de la puerta

NOTA: El extremo largo del retenedor debe quedar hacia el exterior de la ducha.

- En el orificio más cercano a la pared del lado de cierre, instale un retenedor de puerta en el panel corredizo abajo del rodamiento, como se muestra. Gire el retenedor a su posición más baja (más alejada del dintel), y apriete a mano el extremo corto del retenedor. De ser necesario, apriete con una llave hexagonal de 2 mm en el orificio lateral.
- Cierre la puerta. Instale el retenedor restante de puerta en su posición más baja.

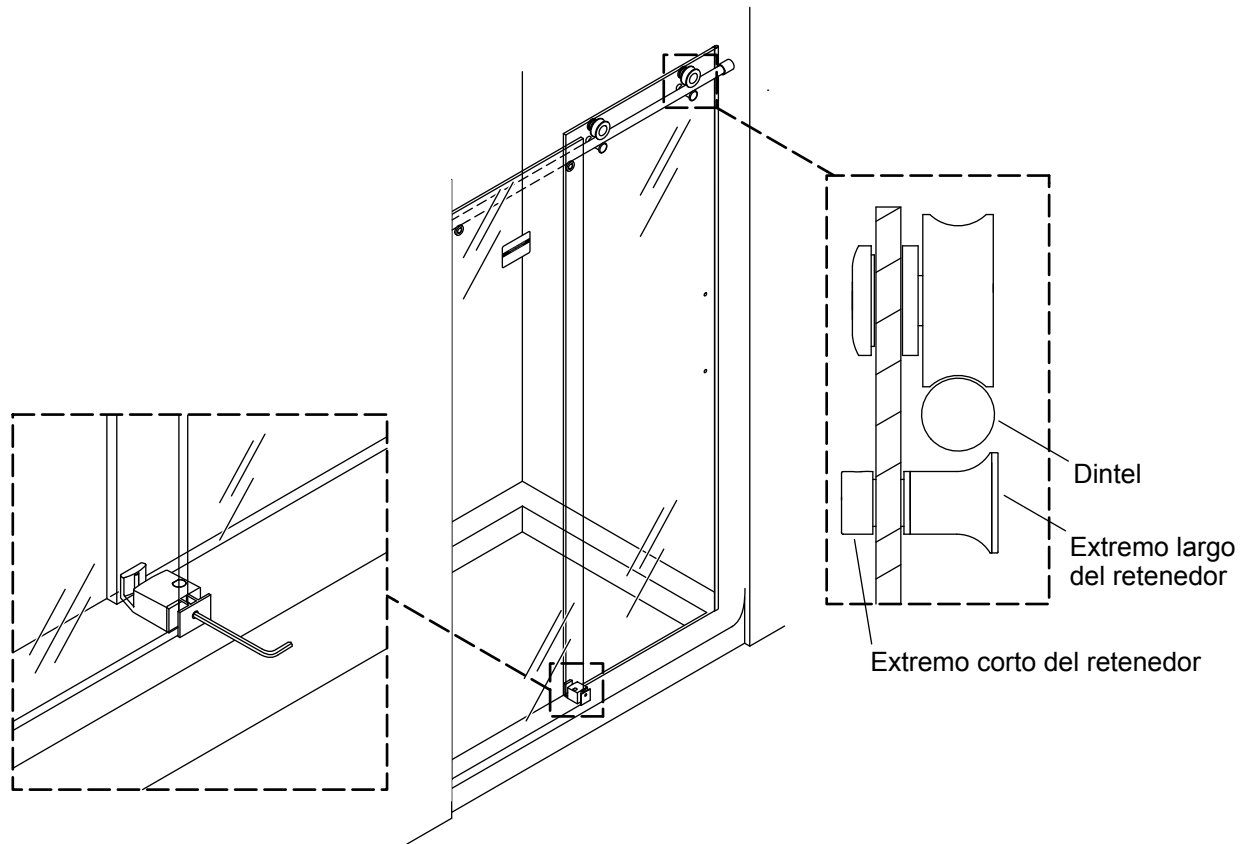
Ajuste el panel corredizo

NOTA: Coloque cuñas bajo el panel para inclinarlo, según se requiera al hacer ajustes. Retire las cuñas cuando termine de hacer los ajustes.

NOTA: Al estar cerrado, el panel corredizo debe quedar al ras con la pared. Si hay espacio entre la pared y el panel corredizo en cualquier lugar en toda su longitud, ajuste el panel corredizo.

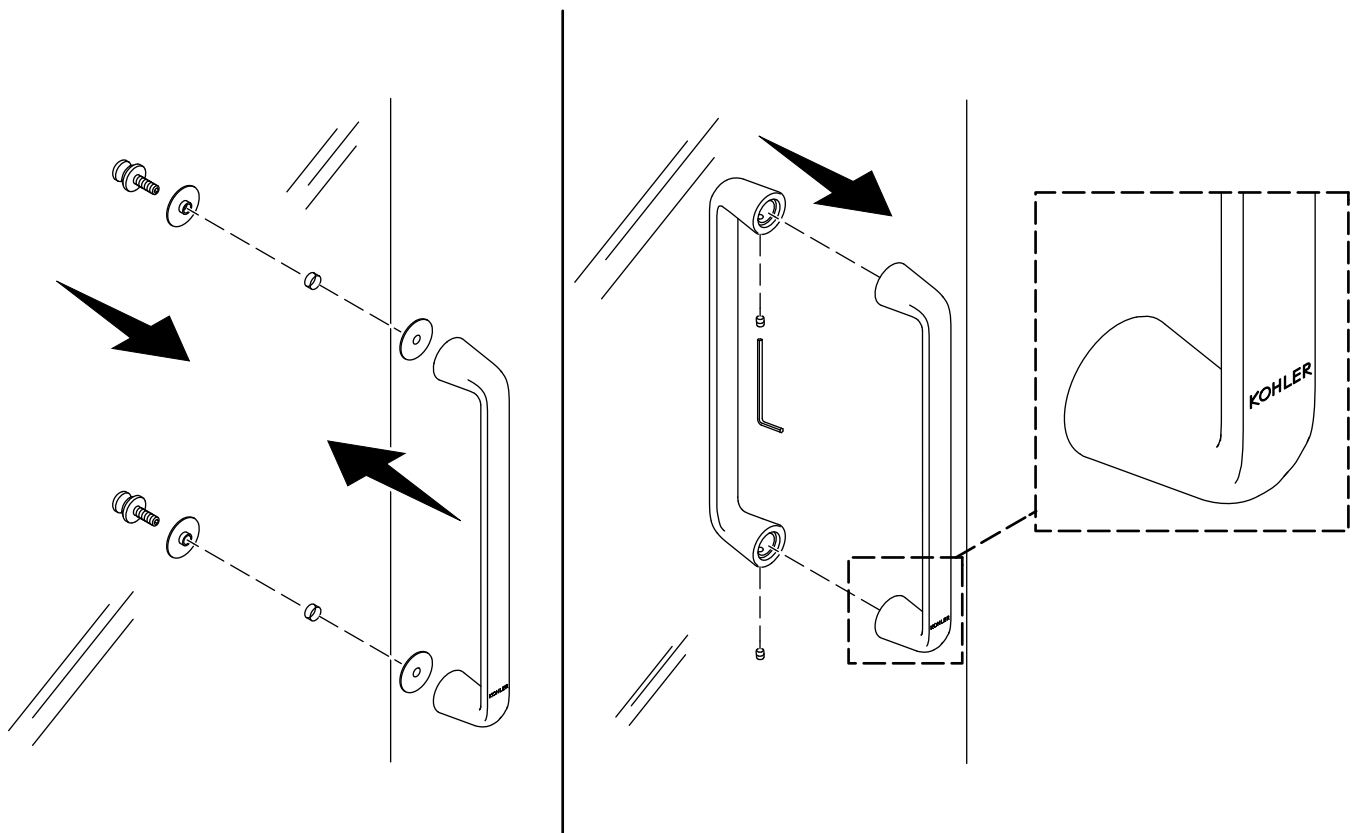
- Desde el interior de la ducha, afloje los tornillos de montaje de las rueditas con la llave de apriete hexagonal de 5 mm, que se incluye.
- Para ajustar, introduzca la llave de apriete hexagonal de 2 mm, que se incluye, en el orificio de ajuste del montaje de cada ruedita.
- No permita que el panel corredizo haga contacto con la base de la ducha.
- Cuando la puerta cierre al ras con la pared, tanto en la parte superior como en la inferior, apriete con firmeza los tornillos de montaje de las rueditas.

22. Ajuste los retenedores y la guía central de la puerta



- Los retenedores de la puerta son ajustables al rotar cada retenedor. Afloje a mano los retenedores para ajustarlos.
- Rote el extremo largo del retenedor hasta la posición deseada, y sosténgalo en su lugar mientras aprieta con firmeza el extremo corto.
- El retenedor debe estar lo más cerca posible al dintel sin llegar a hacer contacto con este, rozarlo o rallarlo.
- Con la llave de apriete hexagonal de 3 mm, que se incluye, apriete el tornillo de fijación en el frente de la guía central hasta que la puerta se deslice con facilidad.

23. Instale las manijas



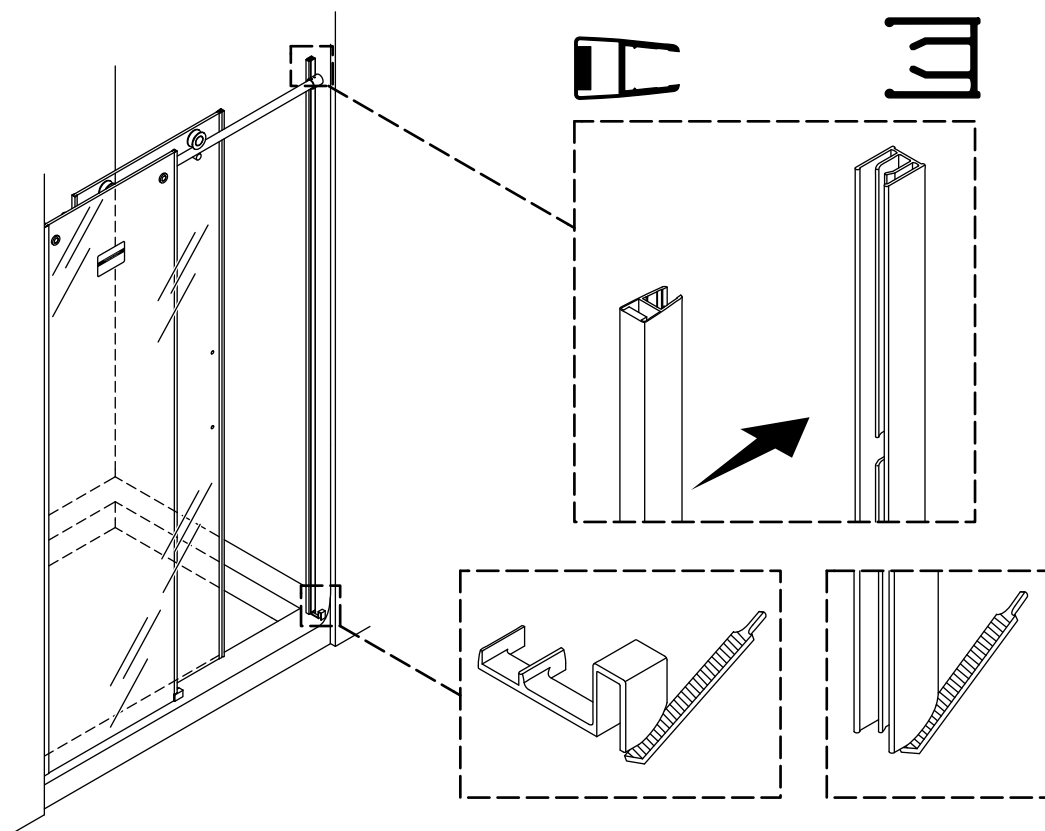
NOTA: La manija puede parecer distinta a la ilustrada. Los pasos de instalación son los mismos.

NOTA: La palabra "KOHLER" debe quedar orientada en la parte inferior de la manija.

- Coloque un buje a cada lado de cada orificio para manija.
- Desde el interior de la ducha, introduzca un perno a través de cada uno de los orificios para manija.
- Con las letras "KOHLER" en la parte inferior, coloque la manija exterior sobre los pernos. Atornille los pernos en la manija.
- Apriete los pernos. **¡No los apriete demasiado!**
- Instale la manija interior sobre los pernos.
- Fije la manija interior con los 2 tornillos de fijación. Apriete con la llave hexagonal de 2,5 mm, que se incluye.

24. Prepare la jamba de contacto

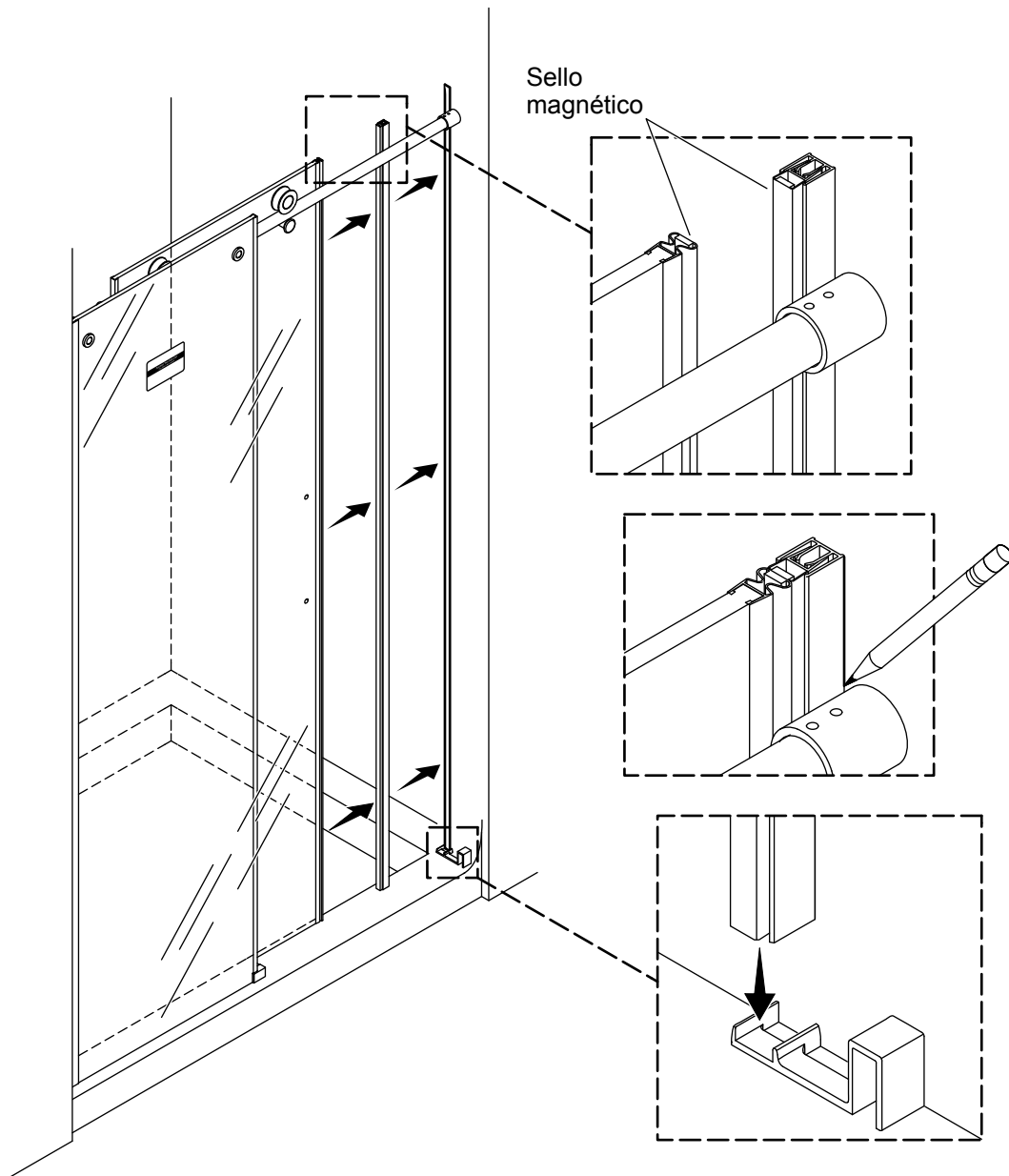
ES



NOTA: La jamba de contacto debe quedar bien ajustada contra la tapa del umbral y la pared.

- De ser necesario, dé forma y lime las esquinas inferiores de la tapa del umbral para que ajuste contra la pared de la ducha.
- De ser necesario, dé forma y lime cada esquina inferior para que ajuste contra la pared de la ducha.
- Coloque la jamba de contacto contra la pared, de forma que quede en el interior del dintel como se muestra.
- Oprima el sello magnético contra la jamba de contacto.

25. Marque el lugar para la jamba de contacto

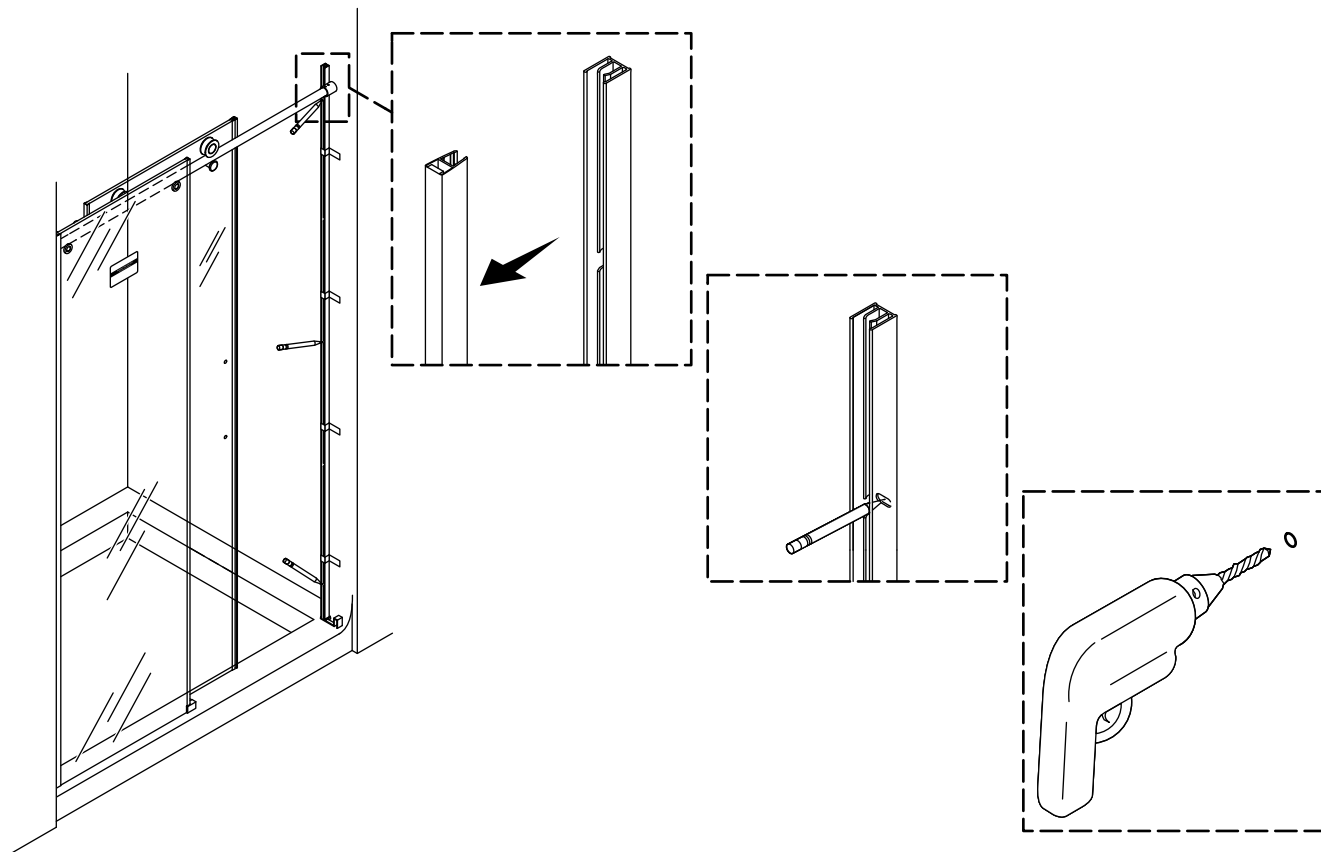


NOTA: La jamba de contacto debe quedar bien ajustada contra la tapa del umbral y la pared.

- Una el sello magnético al sello ya instalado en el borde del panel corredizo.
- Deslice la puerta para cerrarla, de tal forma que la jamba de contacto quede contra la pared.
- Deslice la tapa del umbral por abajo de la jamba de contacto mientras la jamba de contacto está contra la pared.
- Marque el lugar de la jamba de contacto en la pared.

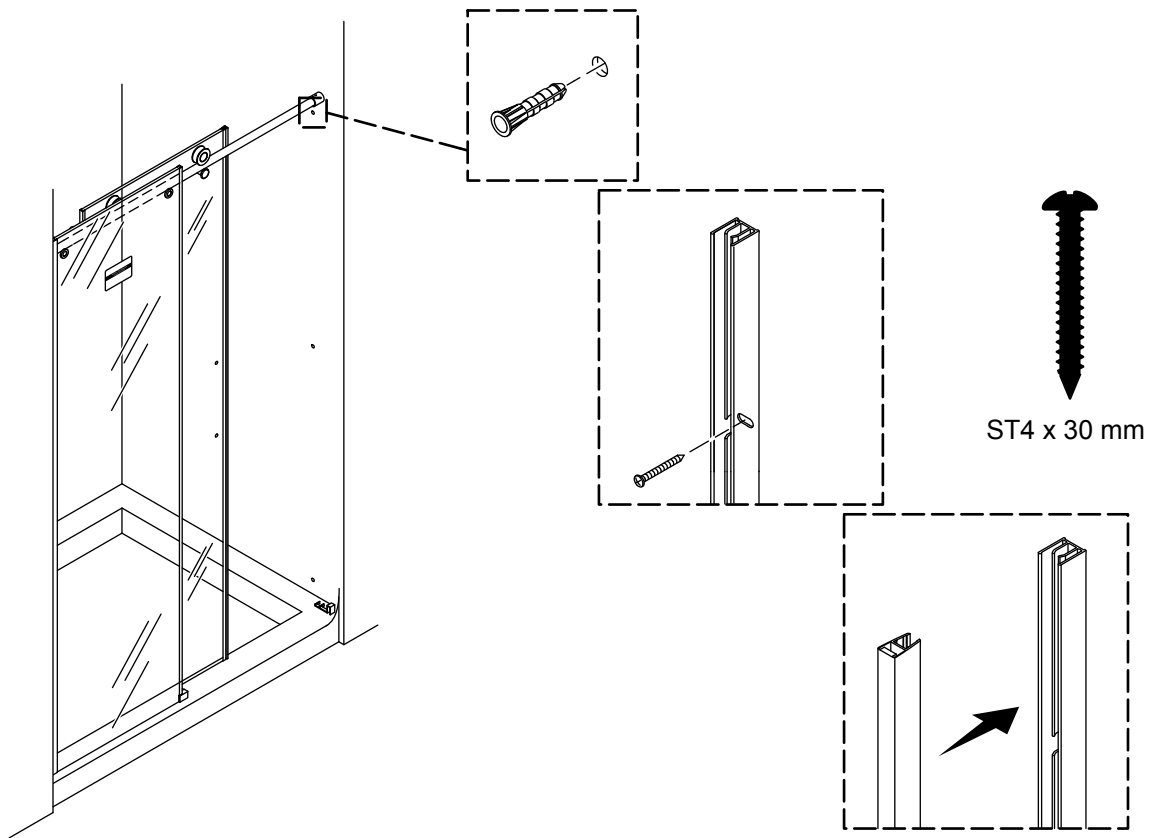
26. Marque los orificios para la jamba de contacto

ES



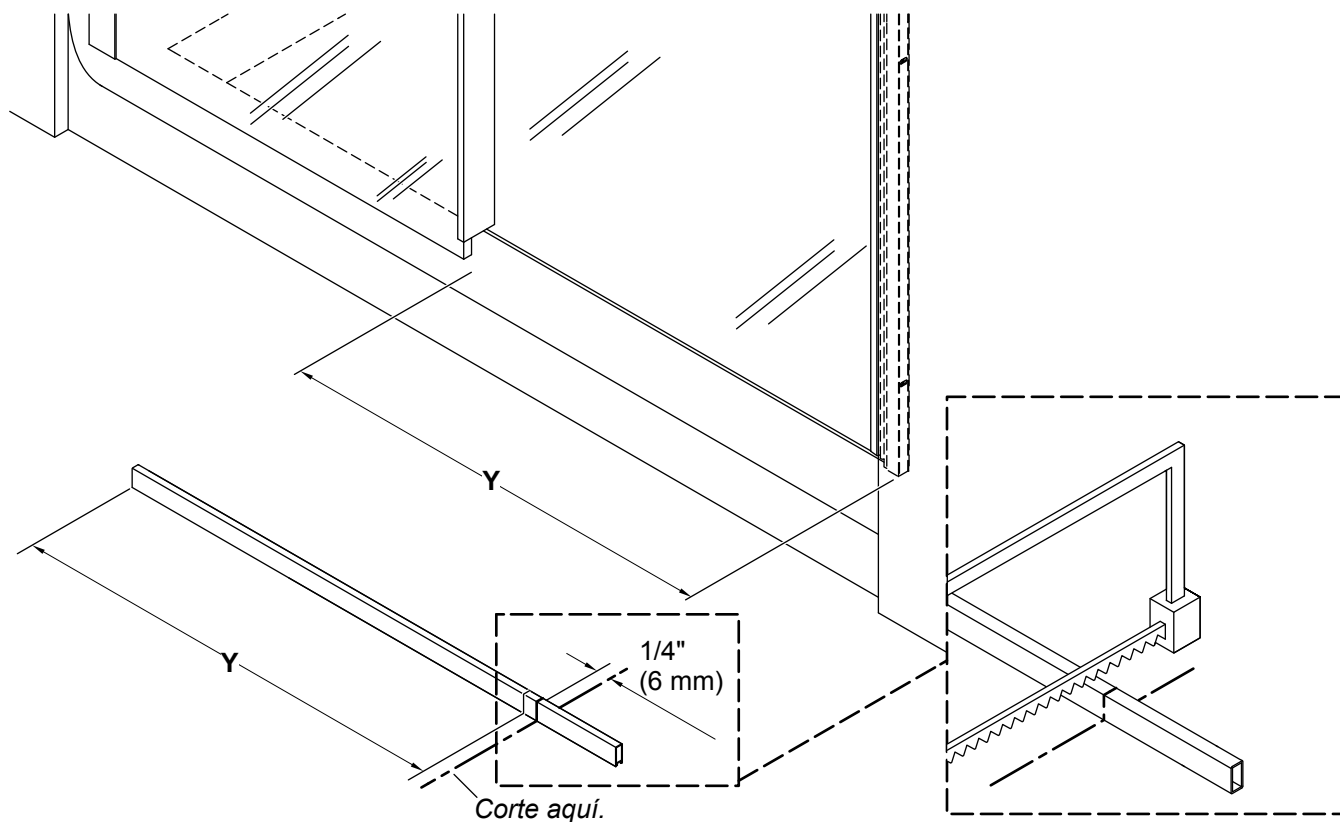
- Abra la puerta y retire de la puerta la jamba de contacto con el sello magnético.
- Retire el sello magnético del interior de la jamba de contacto.
- Fije la jamba de contacto en la tapa del umbral, y alinee con la marca en la pared. Fije con la cinta de enmascarar.
- Marque los 3 orificios.
- Retire la jamba de contacto.
- Taladre un orificio de 1/4 pulg en cada lugar marcado. En paredes de azulejo use una broca para mampostería.

27. Instale la jamba de contacto



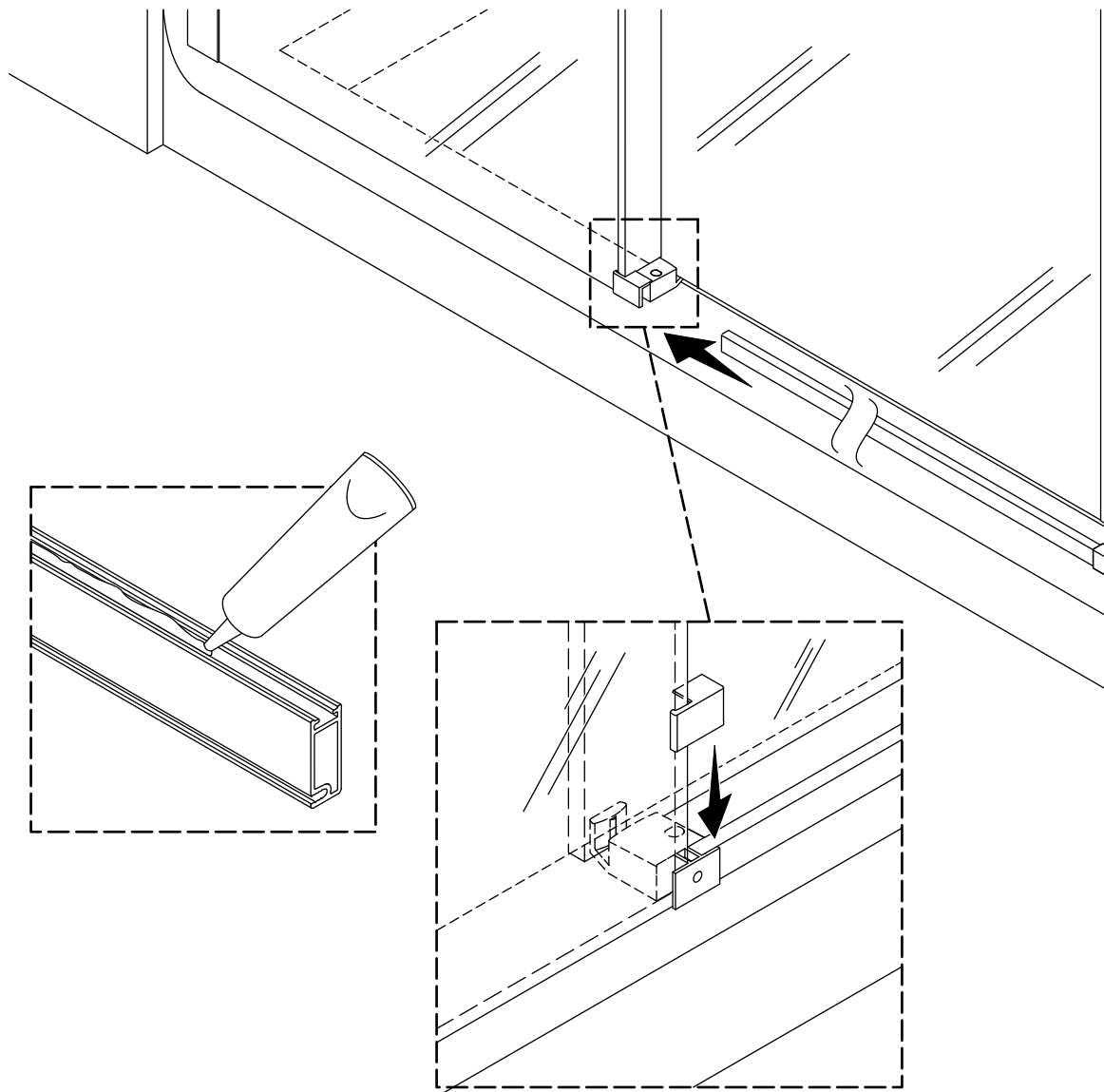
- Instale los anclajes de pared que se incluyen. De ser necesario, dé golpes ligeros a los anclajes hasta que queden al ras contra la pared.
- Vuelva a colocar la jamba de contacto a que quede alineada con los orificios de anclaje. Verifique que la jamba de contacto haya sido colocada en la tapa del umbral antes de fijarla.
- Fije la jamba de contacto a la pared con 3 de los tornillos ST4 x 30 mm, que se incluyen.
- Vuelva a colocar el sello magnético en la jamba de contacto.

28. Mida y recorte el umbral



- De ser necesario, dé forma y lime la esquina inferior del umbral y la esquina del umbral para que ajusten contra la pared de la ducha. Con una moneda iguale y copie el radio de las esquinas.
- Mida la distancia "Y" entre el borde de la guía central y la pared en el lado de la jamba de contacto.
- Marque "Y" en el umbral.
- Mida 1/4" (6 mm) a partir de "Y", y haga una segunda marca en el umbral, como se muestra.
- Recorte el umbral en la segunda marca, y lime los bordes ásperos.

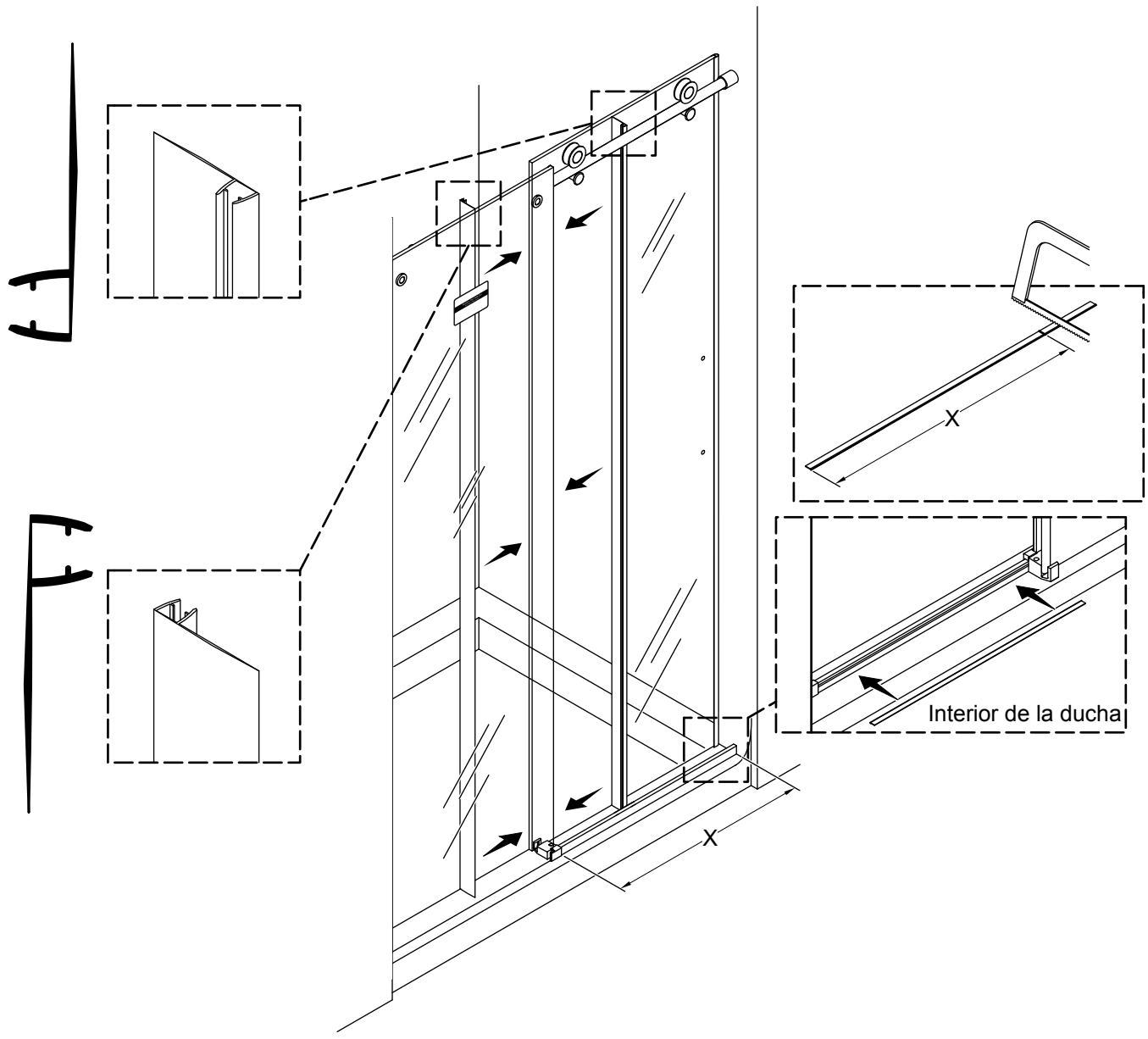
29. Instale el umbral



- Aplique sellador 100 % de silicona dentro de las ranuras en la parte inferior del umbral.
- Deslice el umbral hacia la tapa del umbral y la guía central.
- Meta a presión la tapa de la guía central seleccionada en la sección "Determine la configuración de las puertas" sobre la guía central.

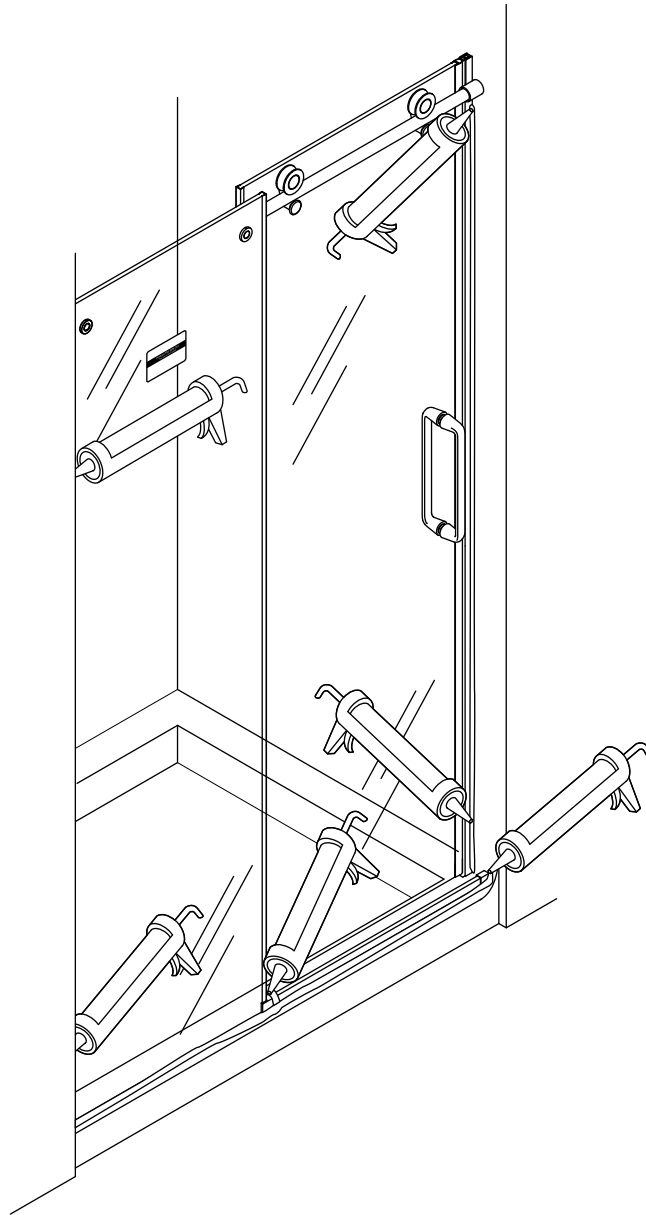
30. Instale los sellos de barrido

ES



- Presione uno de los sellos de barrido contra el borde del panel corredizo. Comenzando por la parte inferior, alinee el borde inferior del vidrio al borde inferior del sello.
- Comenzando en la parte superior de la guía central, oprima el otro sello de barrido contra el borde del panel fijo, como se muestra.
- Mesurer la distance entre le guide central et le capuchon de seuil et marquer la mesure sur le joint d'étanchéité du seuil.
- Con unas tijeras recorte el sello del umbral en la línea marcada.
- À partir de l'intérieur de la douche, enfoncez le joint d'étanchéité du seuil dans le canal du seuil.

31. Termine la instalación



- Aplique sellador 100 % de silicona a lo largo del resto de los bordes en el interior y en el exterior de la ducha.

Resolución de problemas

Esta guía de resolución de problemas está diseñada únicamente como ayuda general. Si tiene preguntas acerca de servicio e instalación, llame al 1-800-4KOHLER.

Síntomas	Causa probable	Acción recomendada
1. La puerta hace ruido al abrirla o cerrarla.	<p>A. El sello de cuña entre el panel fijo y la jamba mural falta o no está instalado por completo.</p> <p>B. El rodamiento de la guía central está desgastado o sucio.</p> <p>C. El panel corredizo está demasiado bajo y raspa contra la guía central o contra la base de la ducha.</p> <p>D. Las rueditas se han desgastado y hacen ruido.</p>	<p>A. Instale el sello de cuña y oprímalo por completo en su lugar de acuerdo con las secciones “Instale el sello de cuña” y “Ensamble el dintel”.</p> <p>B. Retire el panel corredizo y limpie el rodamiento de la guía central. De ser necesario, reemplace la guía central.</p> <p>C. Ajuste los rodamientos para elevar el panel corredizo de acuerdo a las instrucciones en la sección “Nivele el dintel”.</p> <p>D. Reemplace los rodamientos.</p>
2. Es difícil mover la puerta o no abre o cierra.	<p>A. El panel corredizo está demasiado bajo y raspa contra la guía central o contra la base de la ducha.</p> <p>B. El rodamiento de la guía central está demasiado apretado.</p>	<p>A. Ajuste los rodamientos para elevar el panel corredizo de acuerdo a las instrucciones en la sección “Nivele el dintel”.</p> <p>B. Ajuste el rodamiento de la guía central para eliminar presión en el panel corredizo, de acuerdo a las instrucciones en la sección “Ajuste los retenedores y la guía central de la puerta”.</p>
3. El panel corredizo no permanece cerrado.	<p>A. El panel corredizo está demasiado bajo y raspa contra la guía central o contra la base de la ducha.</p>	<p>A. Ajuste los rodamientos para elevar el panel corredizo de acuerdo a las instrucciones en la sección “Nivele el dintel”.</p>
4. Se fuga agua.	<p>A. Se fuga agua por abajo del panel fijo.</p> <p>B. Se fuga agua entre la pared y la jamba mural.</p> <p>C. Se fuga agua entre el panel corredizo y el panel fijo.</p>	<p>A. Aplique sellador 100 % de silicona al borde exterior inferior del panel fijo. Antes de usar la ducha, deje que el sellador se seque de acuerdo a las instrucciones del fabricante.</p> <p>B. Aplique sellador 100 % de silicona donde la pared hace contacto con la jamba mural, tanto en el interior como en el exterior de la ducha. Antes de usar la ducha, deje que el sellador se seque de acuerdo a las instrucciones del fabricante.</p> <p>C. Verifique que los sellos de barrido verticales estén instalados correctamente.</p>

[kohler.com](https://www.kohler.com)

THE BOLD LOOK
OF **KOHLER**®

©2024 Kohler Co.



1581088-2

1581088-2-A