

Installation Instructions

Sliding Shower Door

Record your model number:
Noter le numéro de modèle:
Anoté su número de modelo: _____

Français, page 32
Español, página 64

KOHLER®

Thank You for Choosing KOHLER

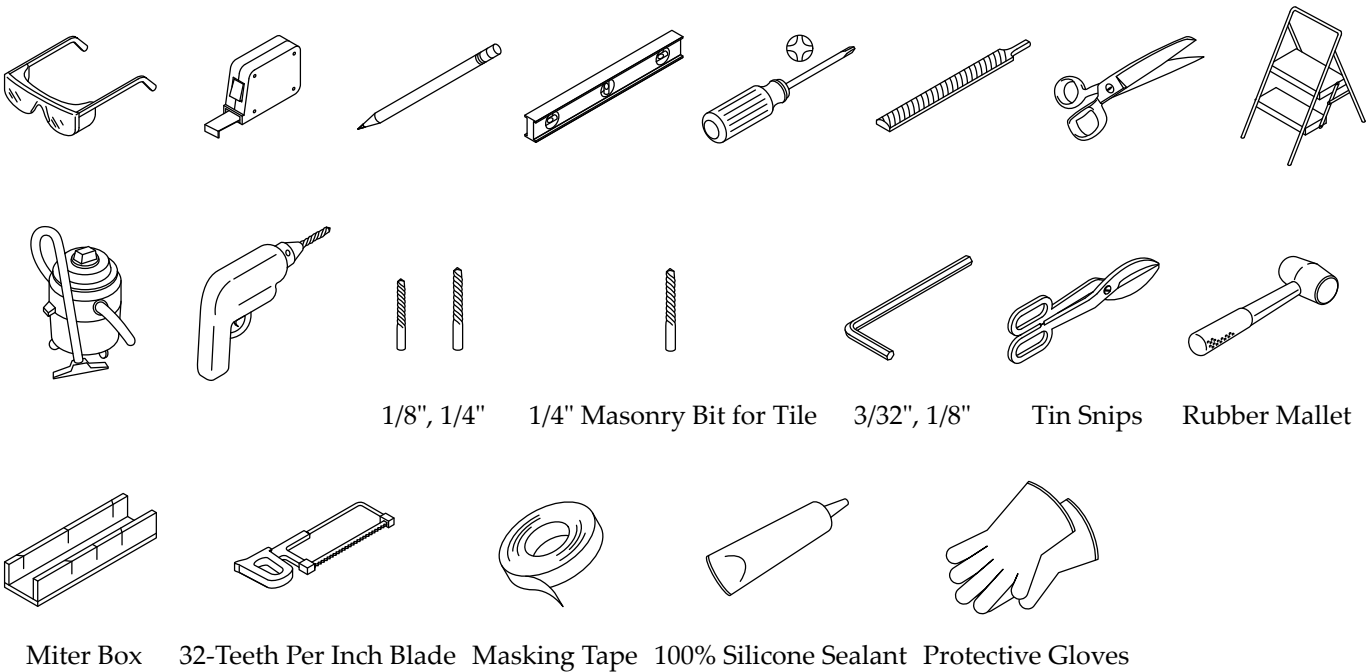
Need help? Contact our Customer Care Center.

- USA/Canada: 1-800-4KOHLER (1-800-456-4537) Mexico: 001-800-456-4537
- Service parts: kohler.com/serviceparts
- Care and cleaning: kohler.com/clean
- Patents: kohlercompany.com/patents








Warranty

This product is covered under the **KOHLER® Bath and Shower Doors Ten-Year Limited Warranty**, found at kohler.com/warranty. For a hardcopy of warranty terms, contact the Customer Care Center.

Tools and Materials



Before You Begin

-  **WARNING: Risk of serious injury.** Damage before installation can result in glass shattering. Inspect the glass and all parts for damage before installation.
-  **WARNING: Risk of serious injury.** Improper installation can result in glass shattering. Follow all installation instructions.
-  **WARNING: Risk of serious injury.** Do not cut tempered glass. Tempered glass will shatter if cut.
-  **WARNING: Risk of serious injury.** Shower door panels can shatter. Regularly inspect the glass and all parts for damage, missing, or loose parts.
-  **WARNING: Risk of serious injury.** Always wear safety glasses while cutting and drilling.
-  **CAUTION: Risk of personal injury.** Tempered glass should not contact hard surfaces or the glass may shatter. Do not touch the edge of the tempered glass panel with tools or any hard objects.
-  **CAUTION: Risk of personal injury.** Tempered glass may shatter. Wear long sleeves and protective clothing to prevent injury in the event of shattered glass.

IMPORTANT! Leave this manual for the end user. Read all instructions before installing or using this product.

IMPORTANT! This door is designed to accommodate walls that are up to 3/8" (10 mm) out of plumb. Verify that the area that the door will be attached to is within 3/8" (10 mm) of plumb. The door may not function properly if the wall is more than 3/8" (10 mm) out of plumb.

IMPORTANT! Do not remove the corner protectors from the door panels until the door panels are installed.

Cover the drain with tape to prevent the loss of small parts.

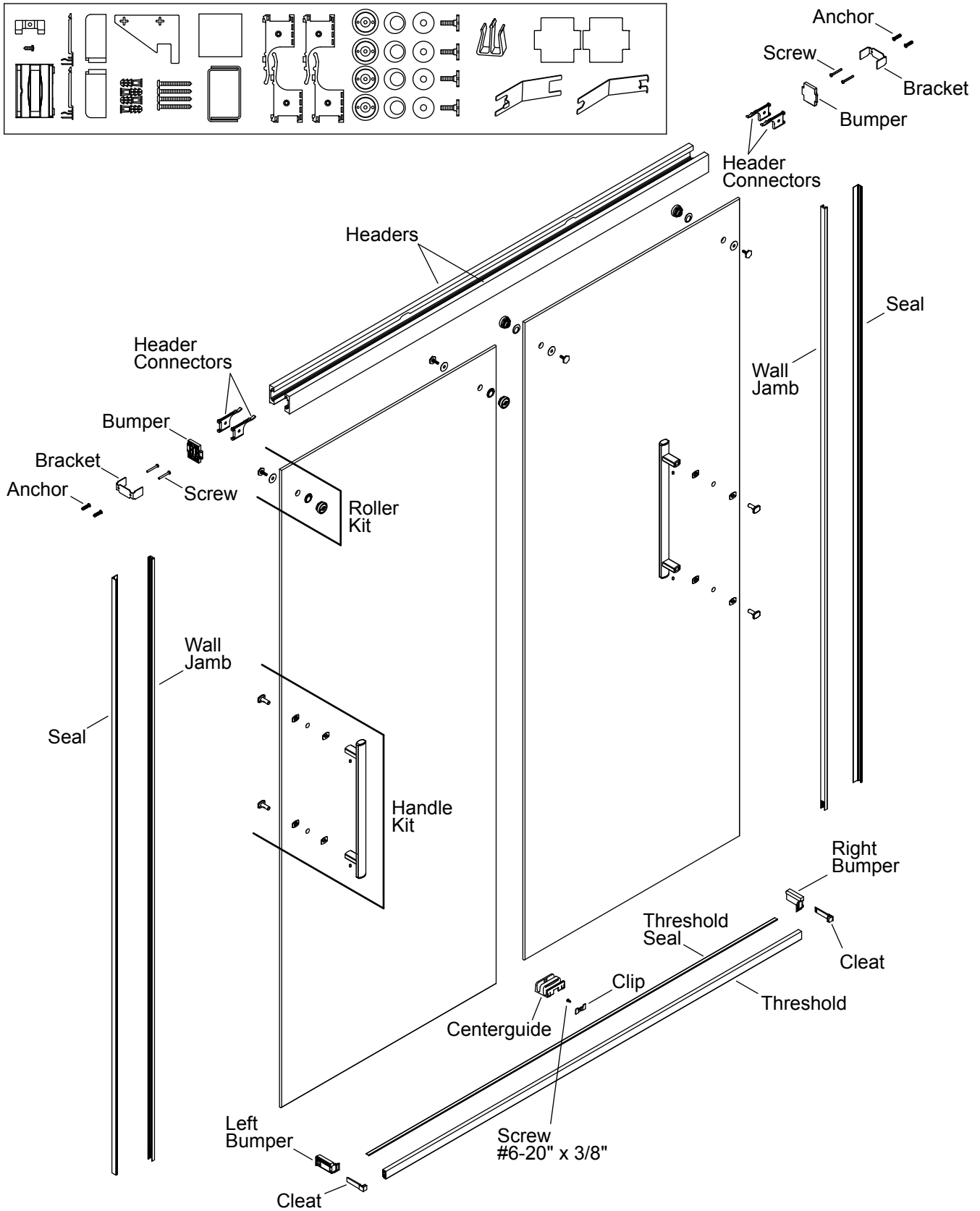
Identify all parts before installation. Inspect for damage.

Follow the silicone sealant manufacturer's instructions for application and curing time.

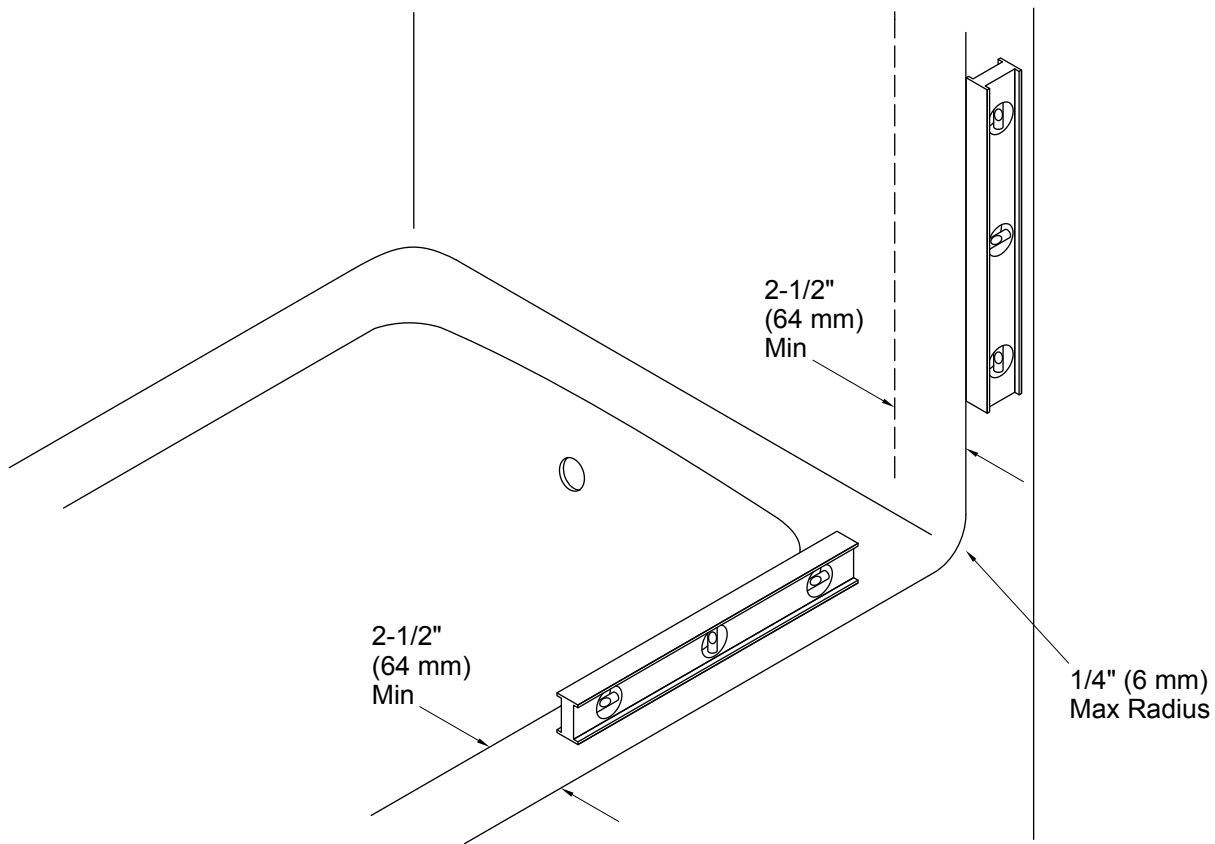
Two people should perform this installation.

Watch this installation online; visit kohler.com and search for your product number.

Parts Identification



1. Confirm Ledge and Wall Compatibility



IMPORTANT! For proper door alignment and operation, confirm that the shower base/bath ledge and walls meet the following requirements. Do not install the door if these requirements are not met.

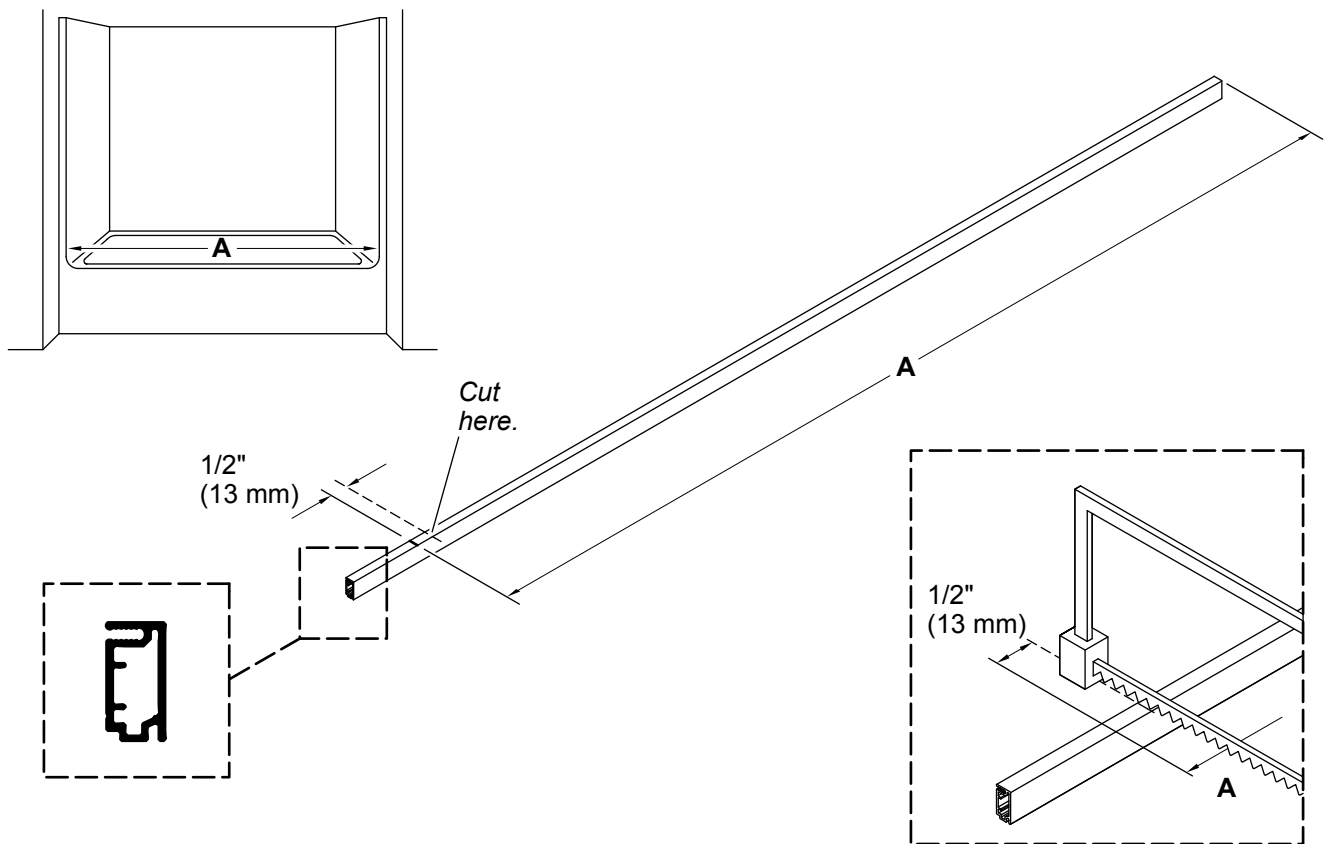
There must be at least 2-1/2" (64 mm) of flat surface on the shower base/bath ledge and walls.

Walls must be within 3/8" (10 mm) of plumb.

The shower base/bath ledge must be level between the walls.

The radius of the shower base/bath ledge where it meets the wall must be 1/4" (6 mm) or less.

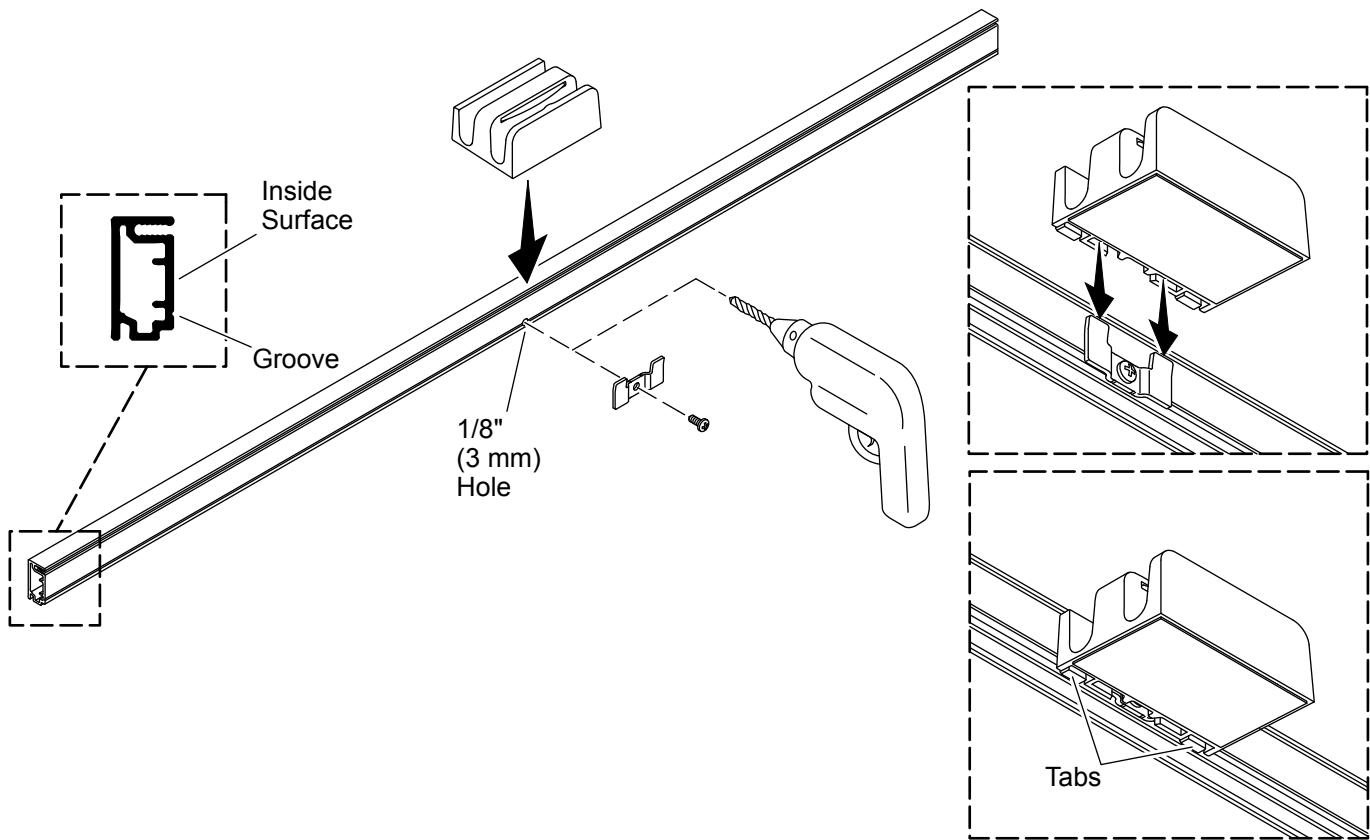
2. Measure and Cut the Threshold



⚠ WARNING: Risk of serious injury. Always wear safety glasses while cutting and drilling.

- Use a drop cloth to protect the shower surface.
- Measure distance "A" between the shower walls and mark the distance on the threshold.
- Measure 1/2" (13 mm) from "A" and make a second mark on the threshold, as shown.
- Cut the threshold at the second mark and file any rough edges.

3. Install the Centerguide

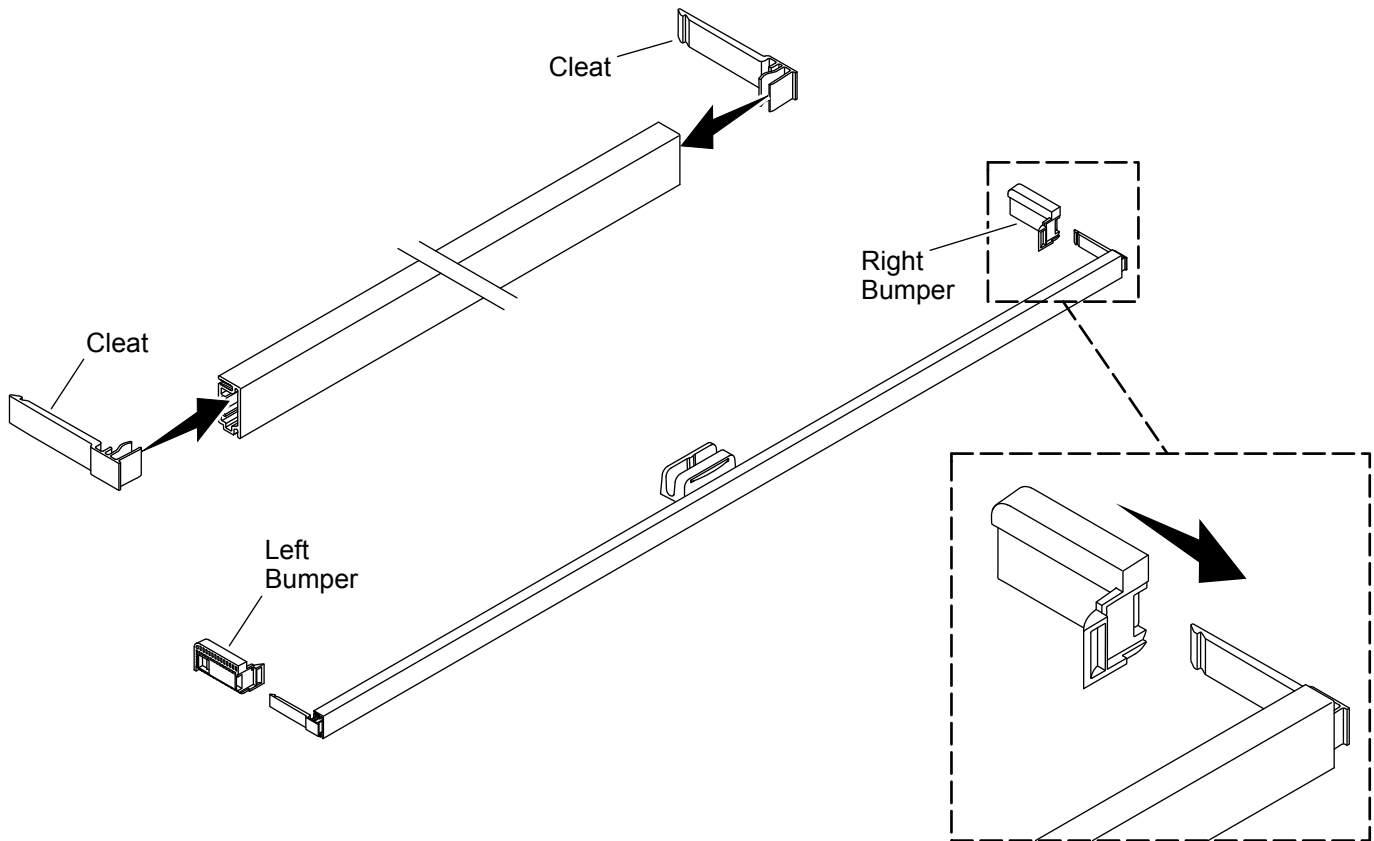


- Measure the center of the threshold. Mark the centerline near the groove on the inside surface of the threshold.

IMPORTANT! Drill through the inside surface only.

- Drill a 1/8" hole at the centerline on the groove of the inside surface of the threshold.
- Install the centerguide clip to the threshold with the supplied #6 x 3/8" screw.
- Press the centerguide over the clip. Make sure the centerguide is completely installed with the tabs snapped under the bottom of the threshold.

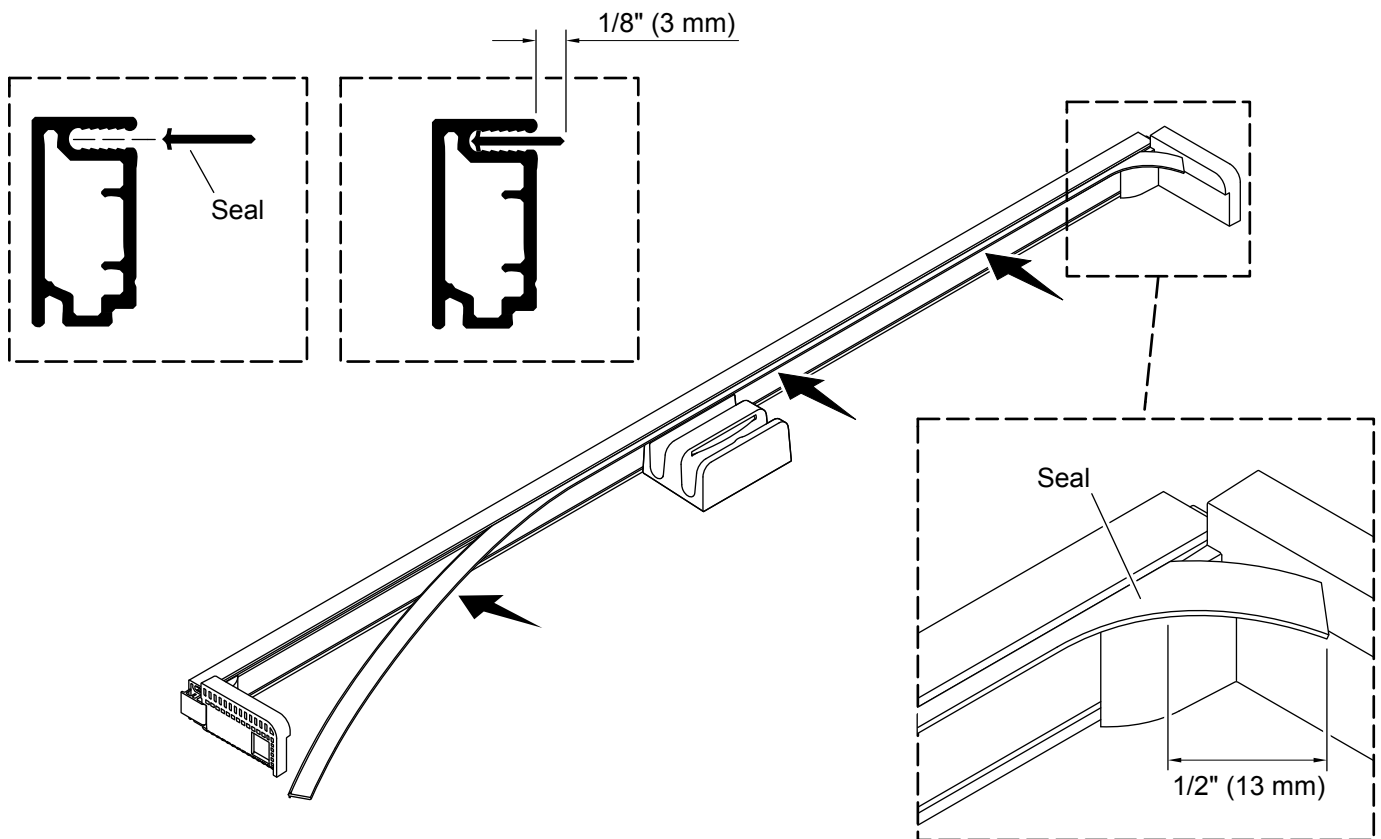
4. Install the Bumpers to the Threshold



NOTE: There is a left side and right side bumper. The cleats are identical.

- Install a cleat into each end of the threshold so that they point in the same direction as the centerguide.
- Press the left and right bumpers onto the cleats as shown.

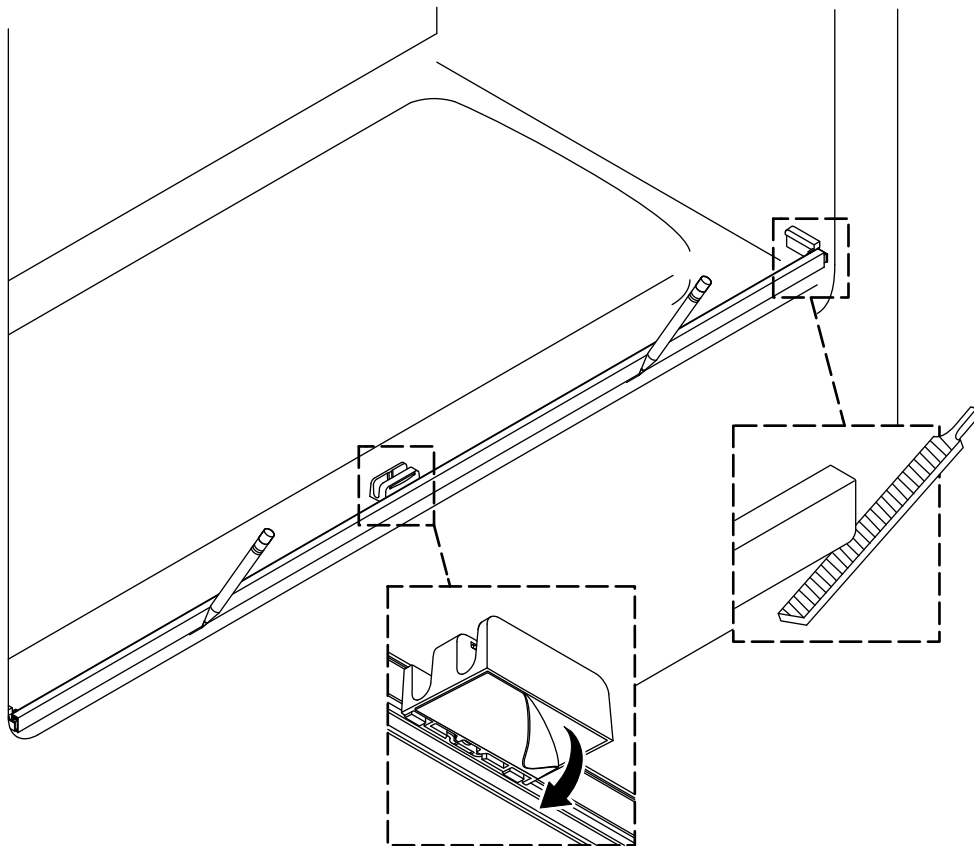
5. Install the Threshold Seal



IMPORTANT! The seal must be installed with at least 1/2" (13 mm) extending beyond each end of the threshold. The seal will be cut to fit after the threshold has been installed.

- Press the seal into the channel in the threshold, leaving approximately 1/2" (13 mm) extending beyond the end of the threshold. Wetting the seal will help ease the installation of the seal.

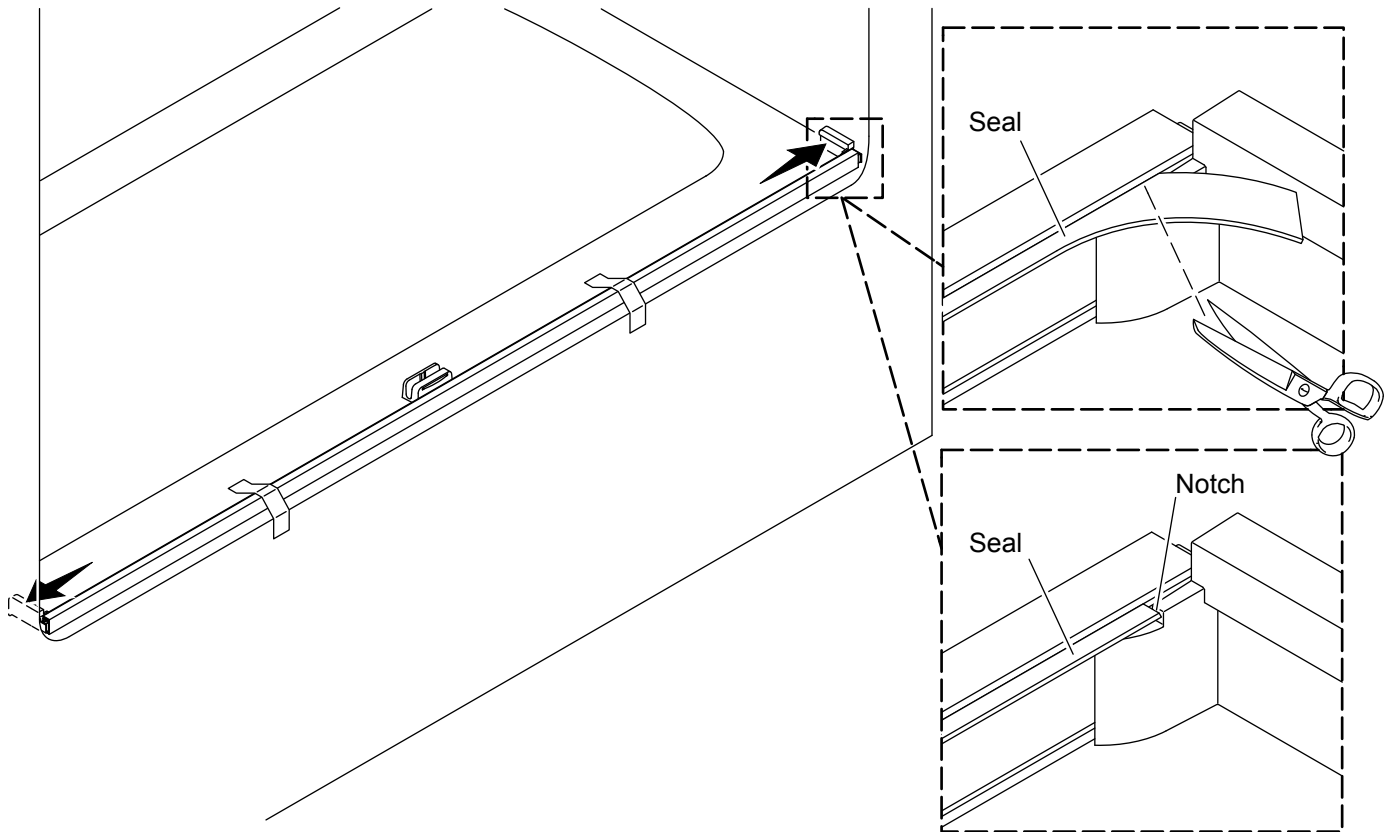
6. Position the Threshold



NOTICE: The threshold must sit on a flat surface.

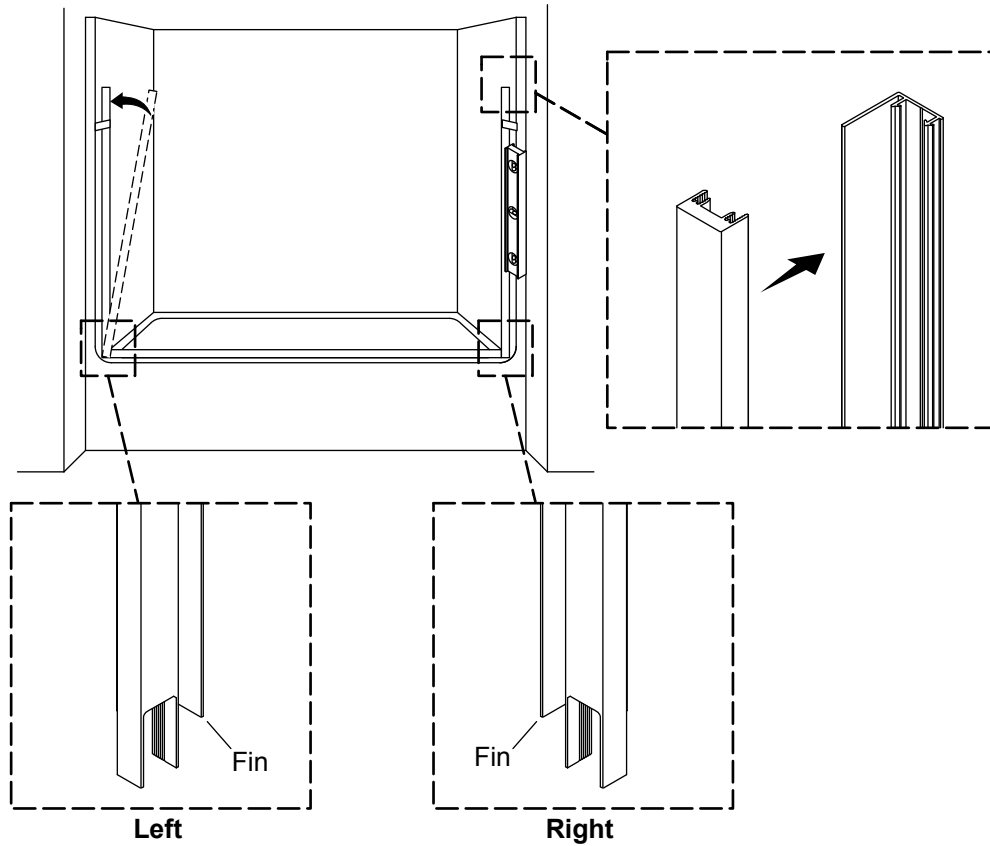
- Thoroughly clean the shower base/bath ledge before proceeding.
- If needed, file the ends of the threshold to match the corner radius of the shower wall.
- Set the threshold assembly on the flat surface of the shower base/bath ledge, as close to the outside edge as possible.
- Align the threshold even distance from the front of the shower base/bath ledge along its entire length.
- Mark the threshold location, then remove the threshold.
- Remove the film from the adhesive on the bottom of the centerguide.
- Install the threshold on the marks and press firmly on the centerguide to bond the adhesive.

7. Complete the Threshold Installation



- Use masking tape to temporarily secure the threshold in place until the wall jambs are installed.
- Press the bumpers against the walls.
- Use a scissors to trim the seal at each end of the threshold so that it mates with the notch in the bumper.

8. Prepare the Wall Jambs

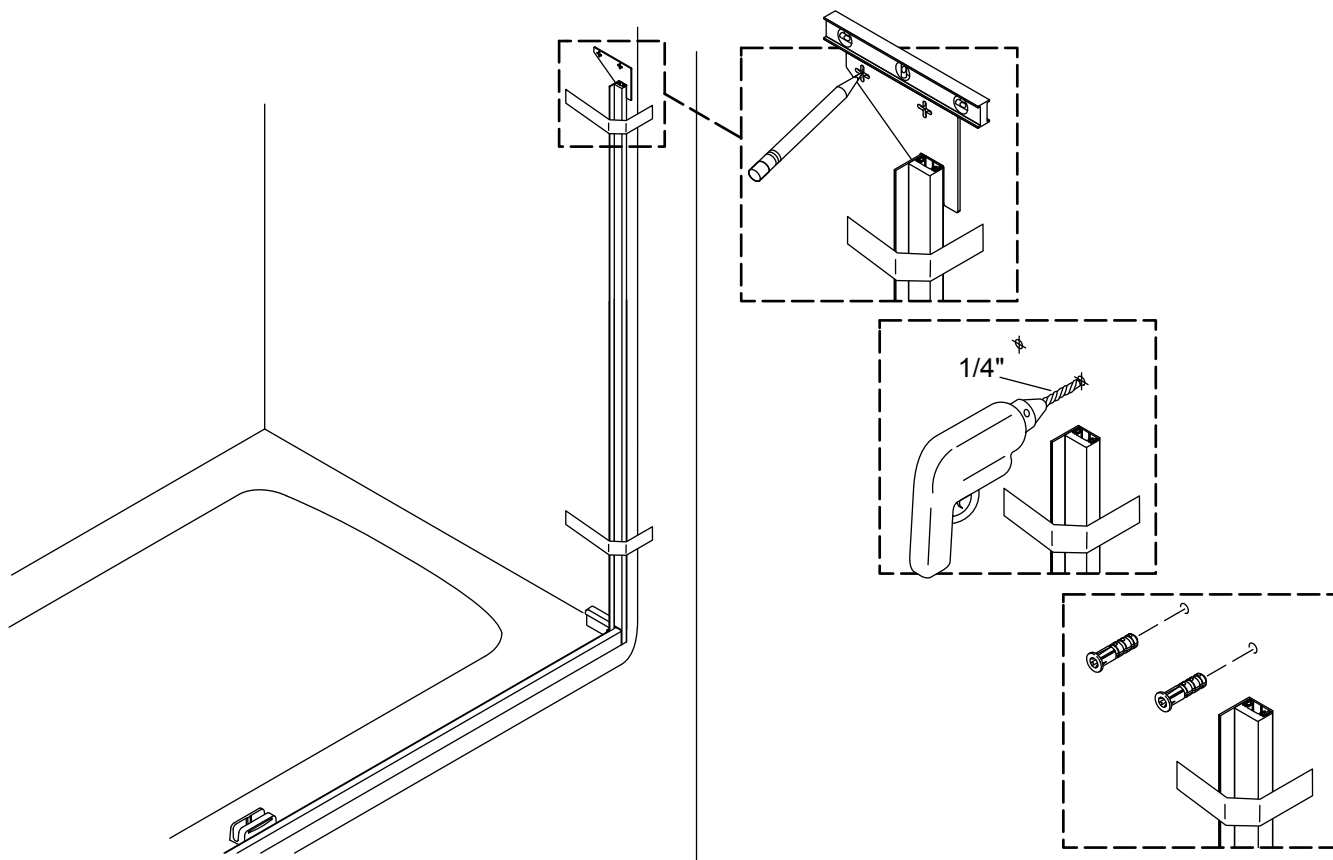


NOTE: The flexible fin of the seal is on the inside of the wall jambs.

NOTE: The wall jambs are longer than the seals.

- Starting at the top, press a seal onto each wall jamb so that there is a left-side assembly and a right-side assembly as shown.
- Position the wall jamb assemblies over the threshold so the flexible fin is on the inside of shower. If needed, trim the corners of the metal to fit the corner radius of the shower wall.
- Use a level to plumb the wall jambs and mark the locations on the wall.
- Use masking tape to temporarily secure the upper part of the wall jambs in place. Do not secure with the adhesive on the back of the seal at this time.

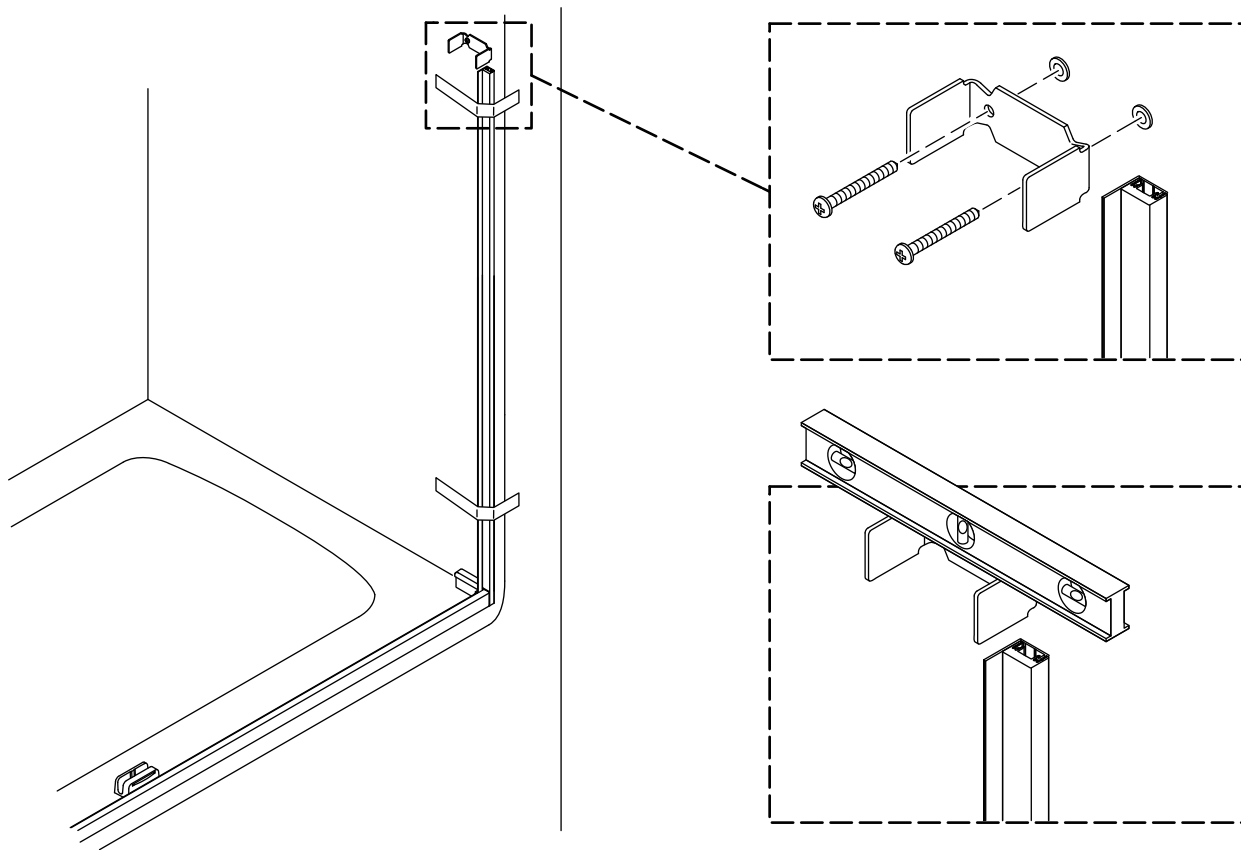
9. Prepare the Wall Bracket Holes



IMPORTANT! Hole locations for the wall brackets are critical. Verify that the holes are properly marked and drilled straight into the wall.

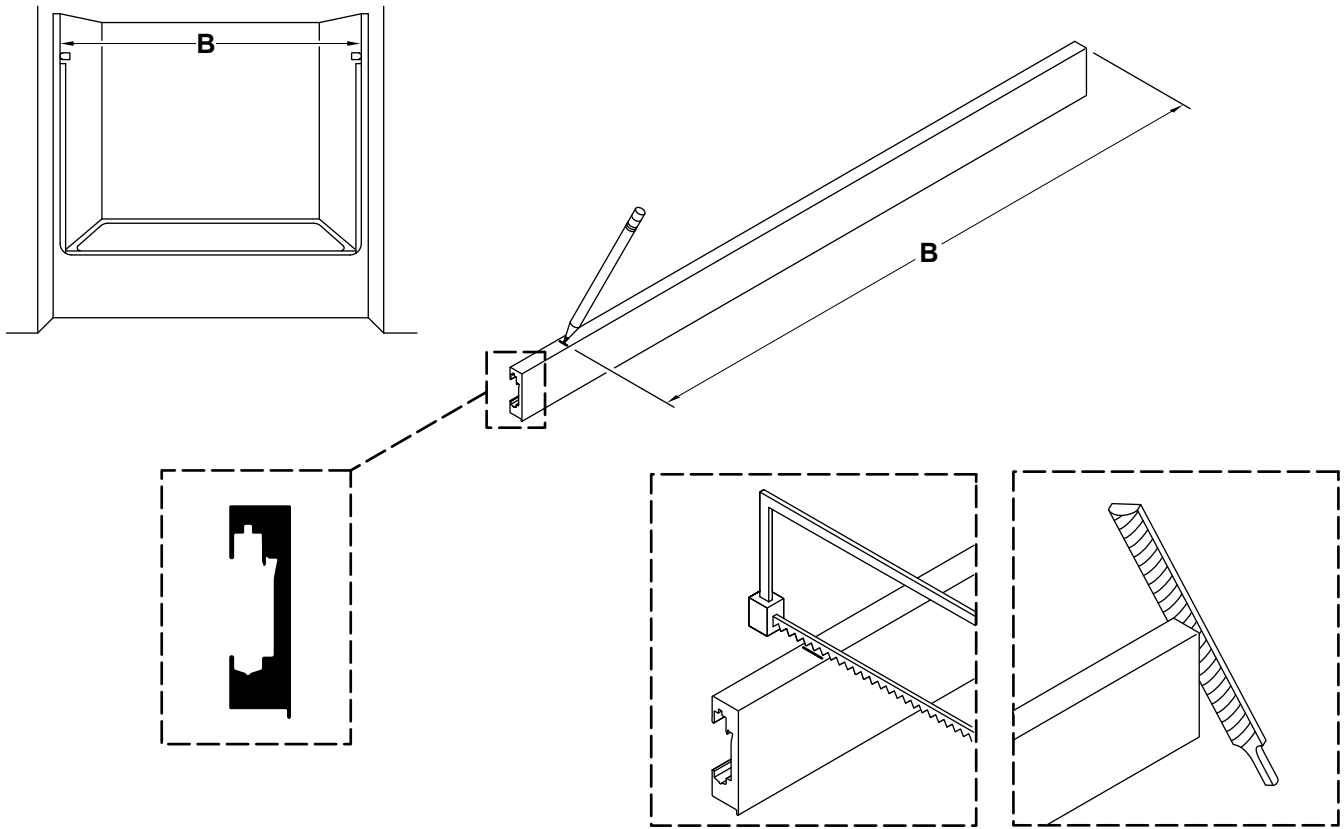
- Make sure the top of the wall jamb is secured in place with masking tape.
- Position the drill template over the wall jamb, pointing into the shower as shown.
- Verify that the template is fully seated over the wall jamb, flat against the wall, and level.
- Mark the hole locations and remove the template.
- Drill 1/4" holes straight into the wall at the marked locations. **Verify that the drill is not at an angle when drilling.**
- Install the provided wall anchors. Verify that the anchors are fully seated into the wall.
- Repeat for the opposite wall.

10. Install the Wall Brackets



- Thoroughly clean the wall and shower area before proceeding.
- Secure the bracket using two #8-18 x 1-1/2" screws (provided).
- Verify that the wall bracket is level. Loosen the screws and adjust the position if needed.
- Repeat for the opposite wall.

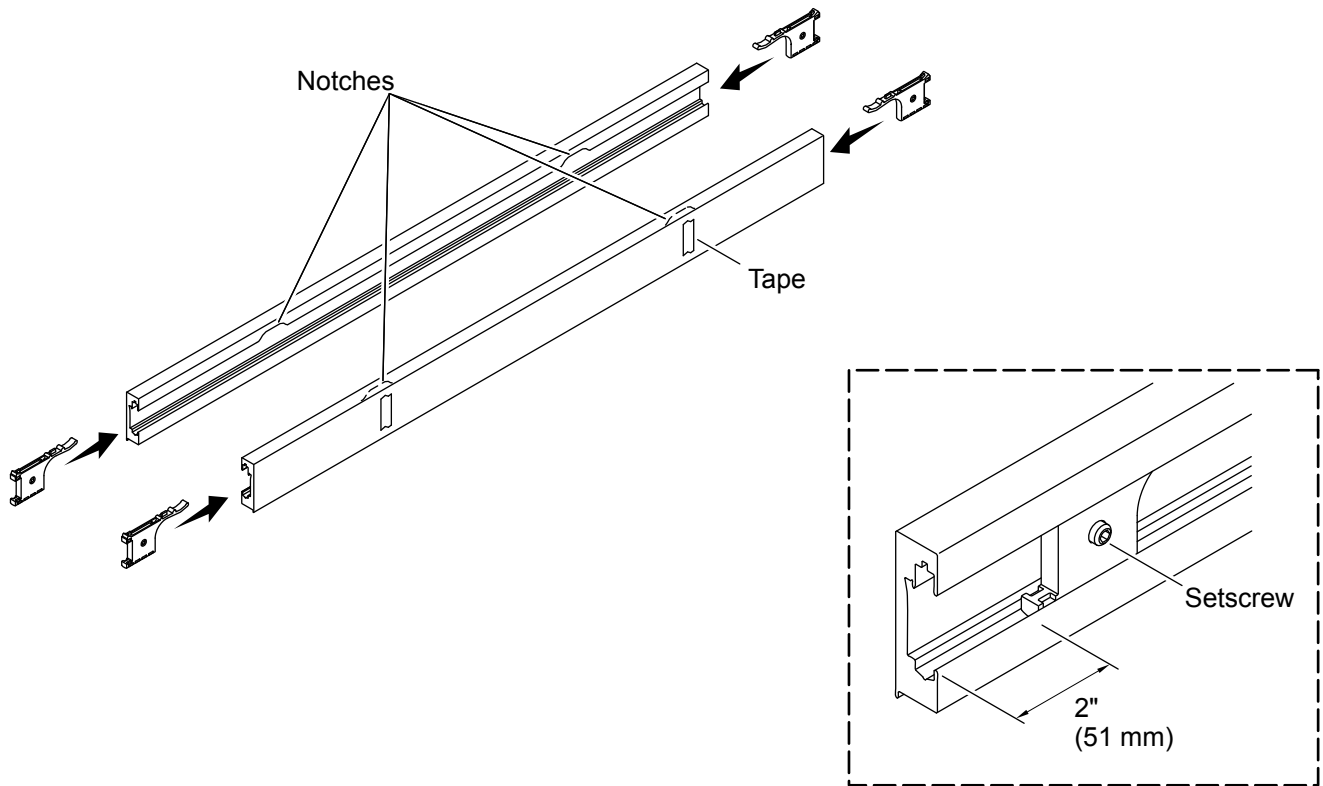
11. Measure and Cut the Headers



IMPORTANT! Confirm your measurements before cutting. Do not cut the header too short.

- Measure distance “B” between the shower walls and mark each of the two headers.
- Using a hand saw, cut each header just inside the marked line.
- File any rough edges and clean debris from the roller tracks.

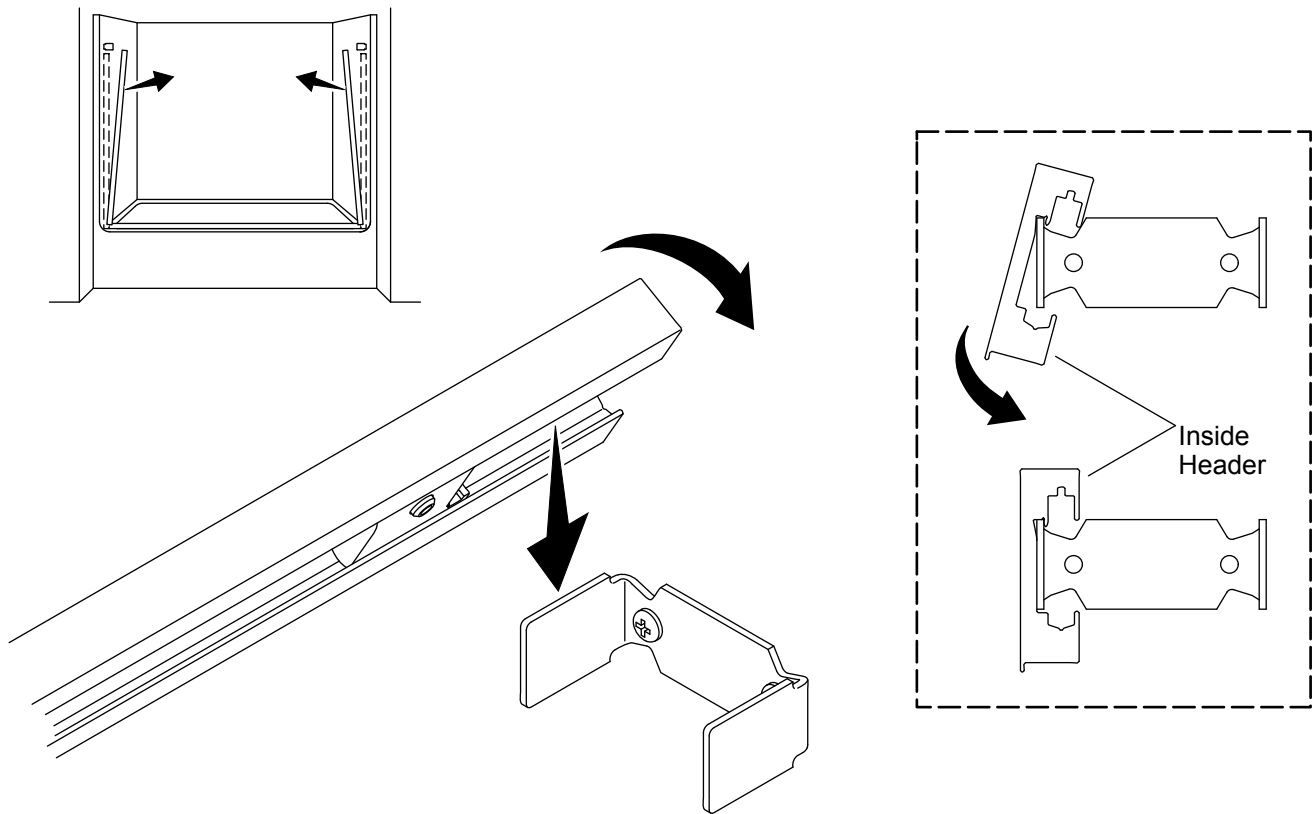
12. Install the Connectors to the Headers



NOTICE: The two headers are identical.

- Locate the notches along the inside tracks of the headers.
- Mark the locations with pieces of tape on the outside of the headers. This will help with door panel installation later.
- Push a header connector into the end of each header as shown. The hex screw head should be visible.
- Position each connector approximately 2" (51 mm) from the ends of the headers so they are clear of the brackets during header installation.

13. Position the Inside Header



IMPORTANT! Install only the inside header at this time.

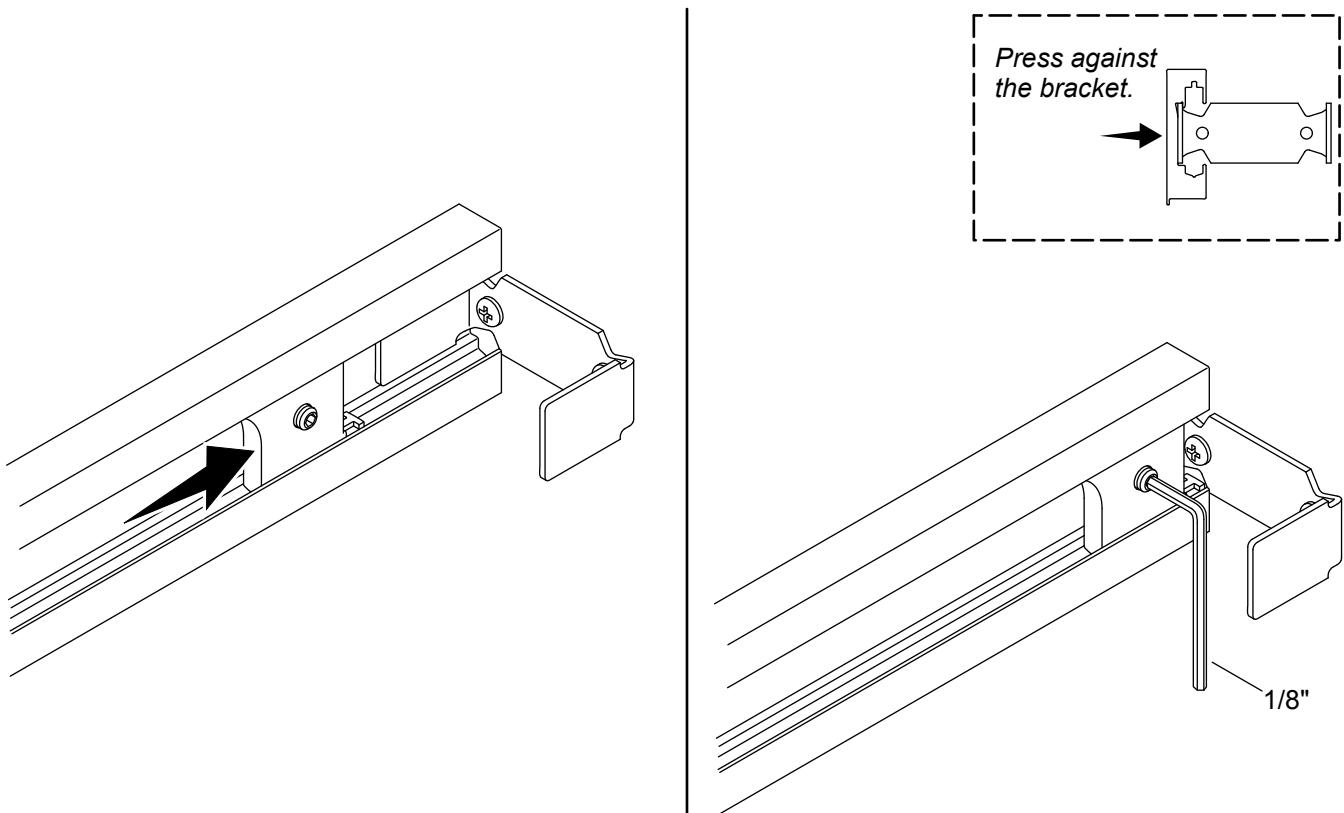
NOTICE: The two headers are identical.

- To ease installation of the header, remove the temporarily positioned wall jambs.
- With the flat face of the header facing the inside of the shower, tilt the header as shown and lower it on to both brackets at the same time.

NOTE: The header will be slightly loose. It will be secured in the next section.

- Rotate the header onto both brackets at the same time to a vertical position and flat against the brackets.

14. Secure the Inside Header



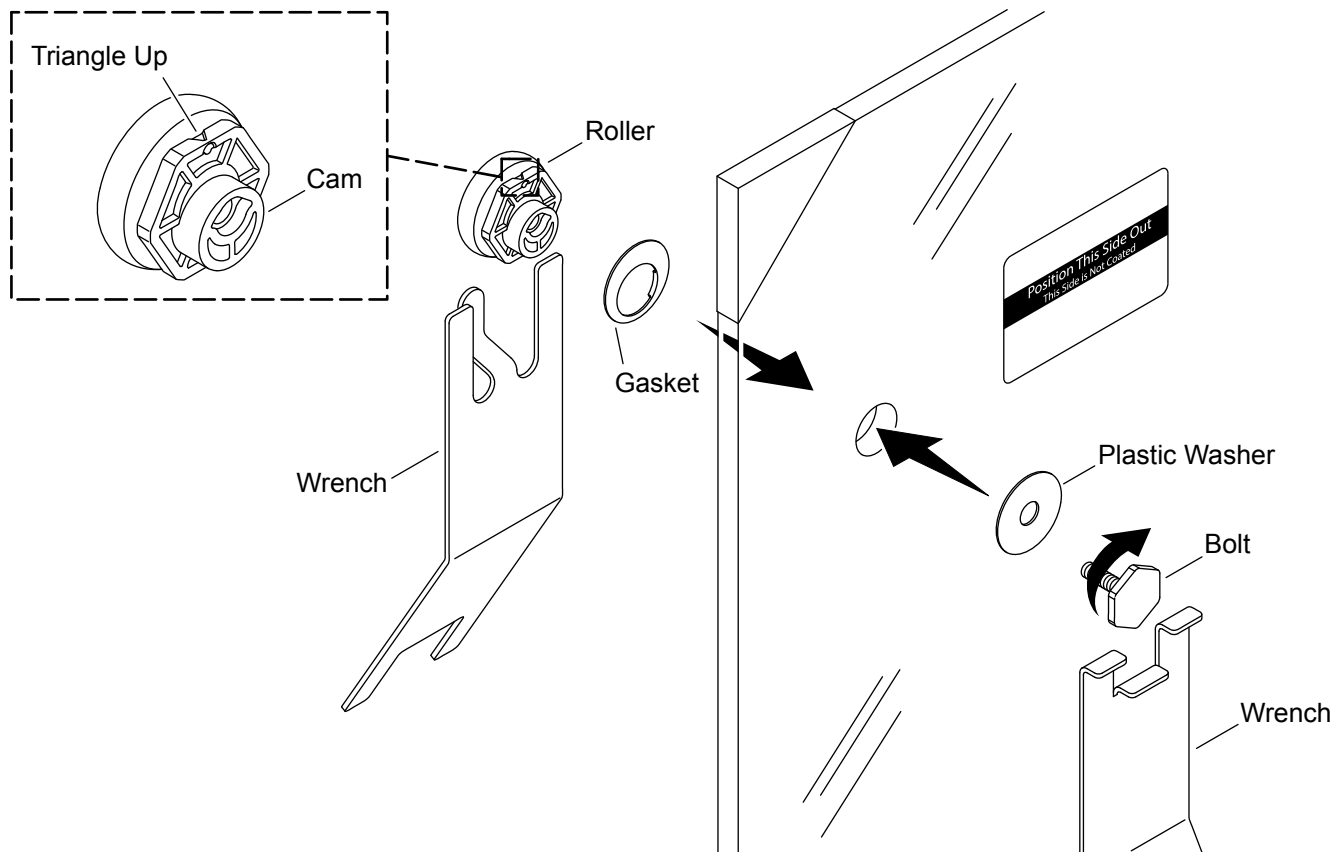
IMPORTANT! The header is secured to the brackets in this step so that the door panel may be hung.

- Press the header against the bracket, and slide the header connectors all the way to the wall at each end of the header.

NOTE: If the header connector does not slide over the bracket, either the screw must be loosened, the header is not properly installed on the bracket, or the bracket is tilted away from the wall. Make any adjustments as necessary.

- Secure the header by tightening each connector screw with a 1/8" hex wrench.

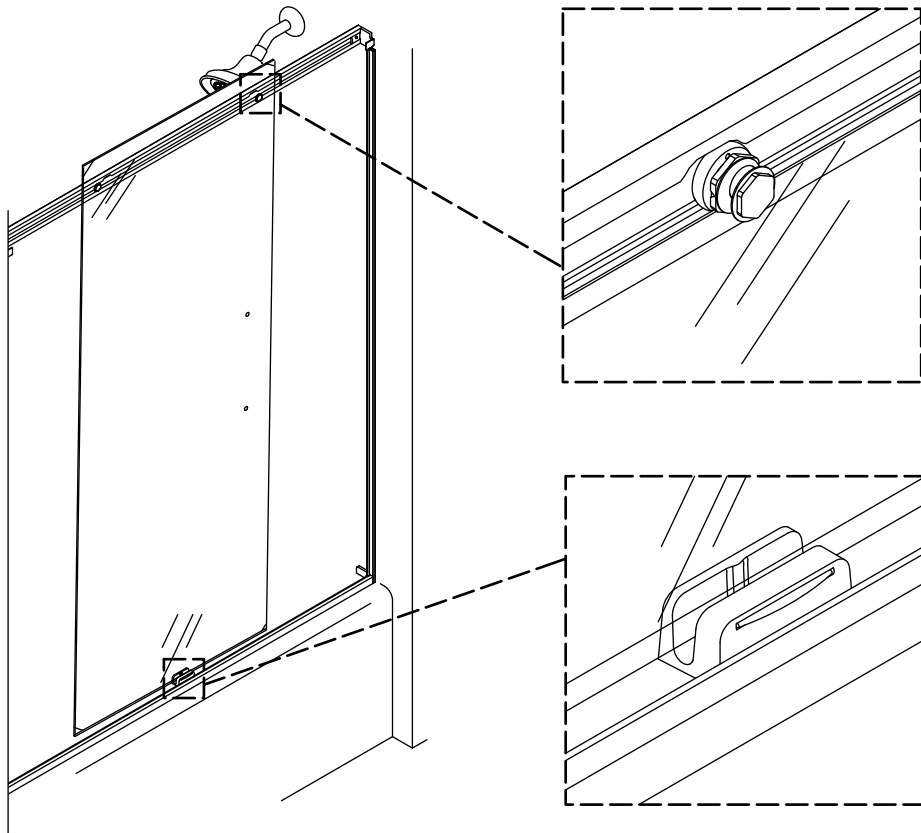
15. Install the Inside Panel Rollers



NOTICE: There is a triangle shape molded on one of the flats of the roller.

- Orient the door panel so that the handle holes are on the showerhead side and the label faces the outside of the shower.
- Position the roller and gasket on the opposite side of the panel as the label as shown, and insert the roller cam into the hole.
- Orient the roller so that the triangle is pointing up. This sets the door at its lowest position, making adjustments easier.
- Insert a plastic washer over the bolt and handtighten the bolt to the roller.
- Use both provided wrenches to firmly tighten the bolt.

16. Install the Inside Panel



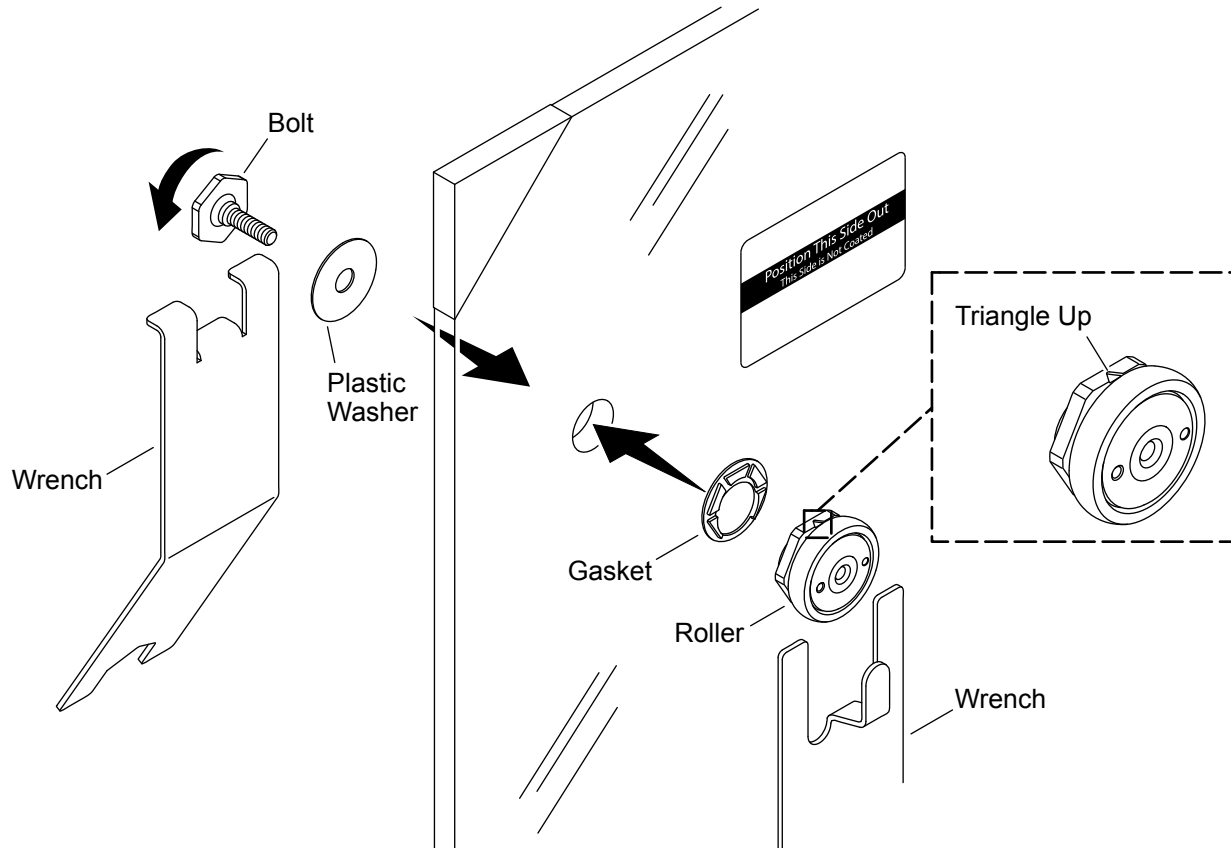
⚠ CAUTION: Risk of product damage. Once installed, do not move the panel close to the wall because the top bumpers are not installed at this time.

NOTE: The corner protectors should still be installed on the panel at this time.

NOTE: The rollers face the inside of the shower and the label faces the outside of the shower.

- With help, from outside the shower, lift the panel and place the bottom into the inside channel in the centerguide.
- Lift the panel just enough to place a roller into one notch on the header. Then slide the panel over so the second roller is aligned with the other notch in the header.
- Verify that the bottom of the door panel is still in the inside channel of the centerguide.

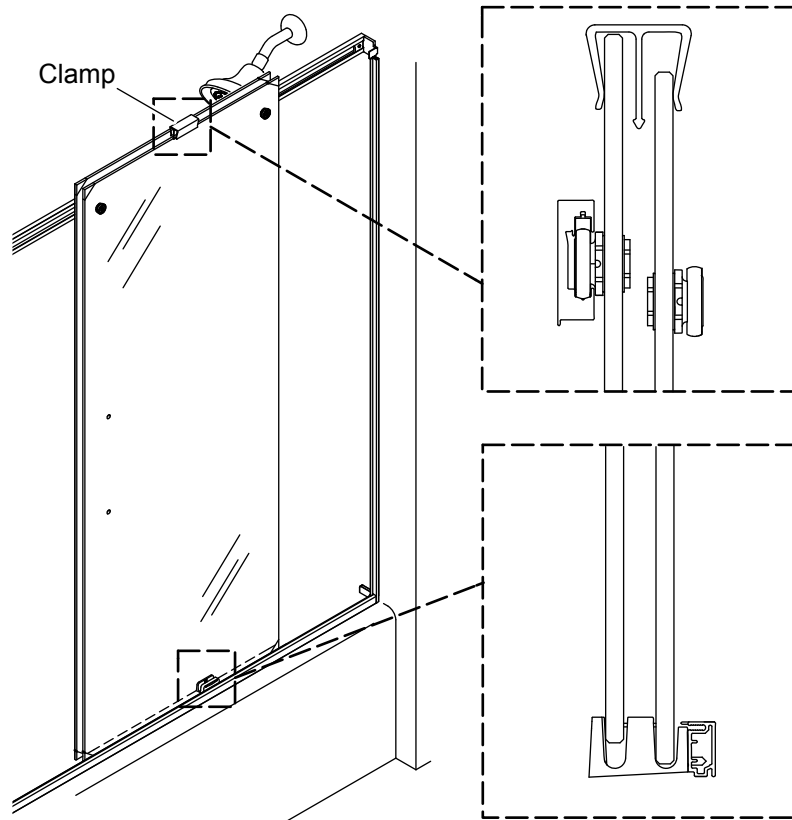
17. Install the Outside Panel Rollers



NOTICE: There is a triangle shape molded on one of the flats of the roller.

- Orient the door panel so that the handle holes are on the opposite side as the showerhead and the label faces the outside of the shower.
- Position the roller and gasket on the same side of the panel as the label as shown, and insert the roller cam into the hole.
- Orient the roller so that the triangle is pointing up. This sets the door at its lowest position, making adjustments easier.
- Firmly handtighten the roller to the glass with the gasket and bolt.
- Insert a plastic washer over the bolt and handtighten the bolt to the roller.
- Use both provided wrenches to firmly tighten the bolt.

18. Position the Outside Panel



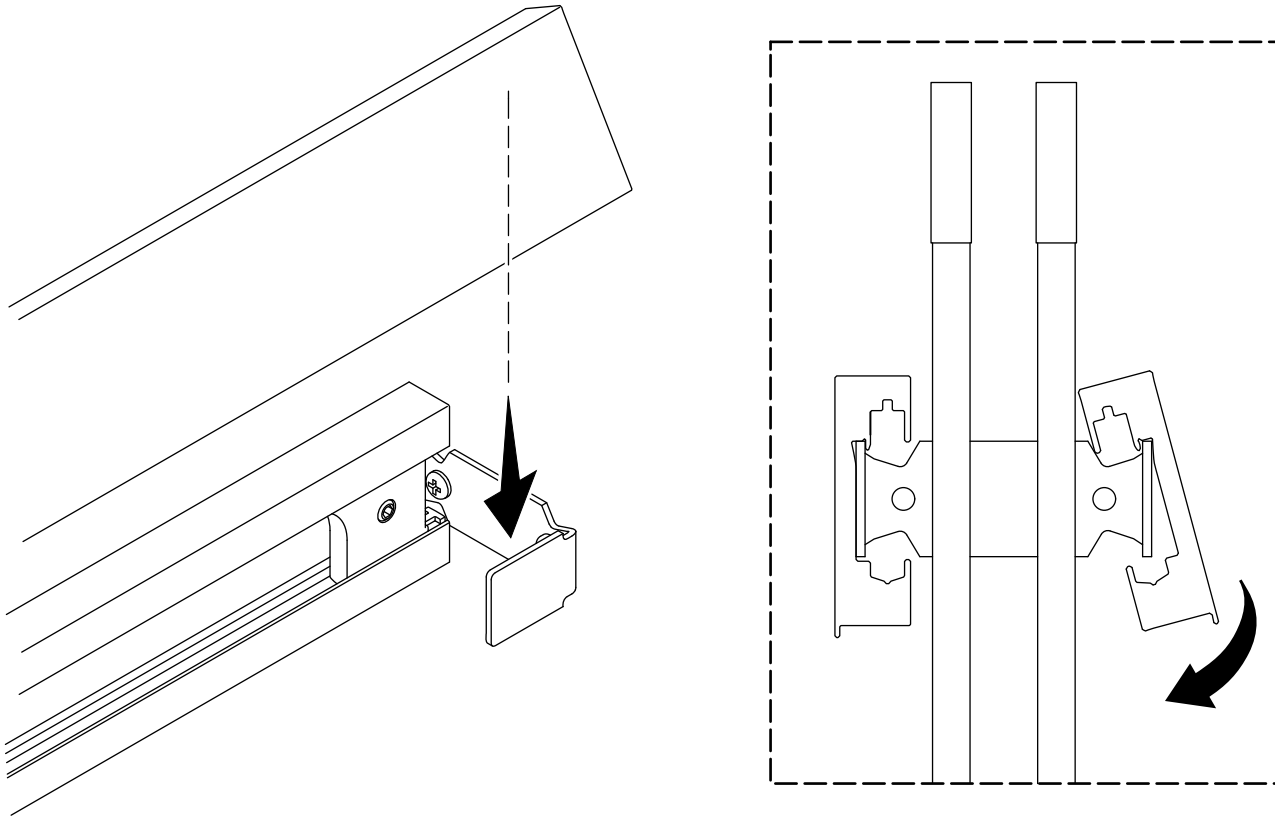
NOTE: The corner protectors should still be installed on the panel at this time.

NOTE: The rollers and the label face the outside of the shower.

NOTE: Place the installation clamp where you can reach it before this step, or place it on the top of the glass panel.

- With help, from outside the shower, lift the panel and place the bottom into the outside channel in the centerguide.
- Lean the panel against the inside panel and place the installation clamp over the top of both panels.

19. Position the Outside Header



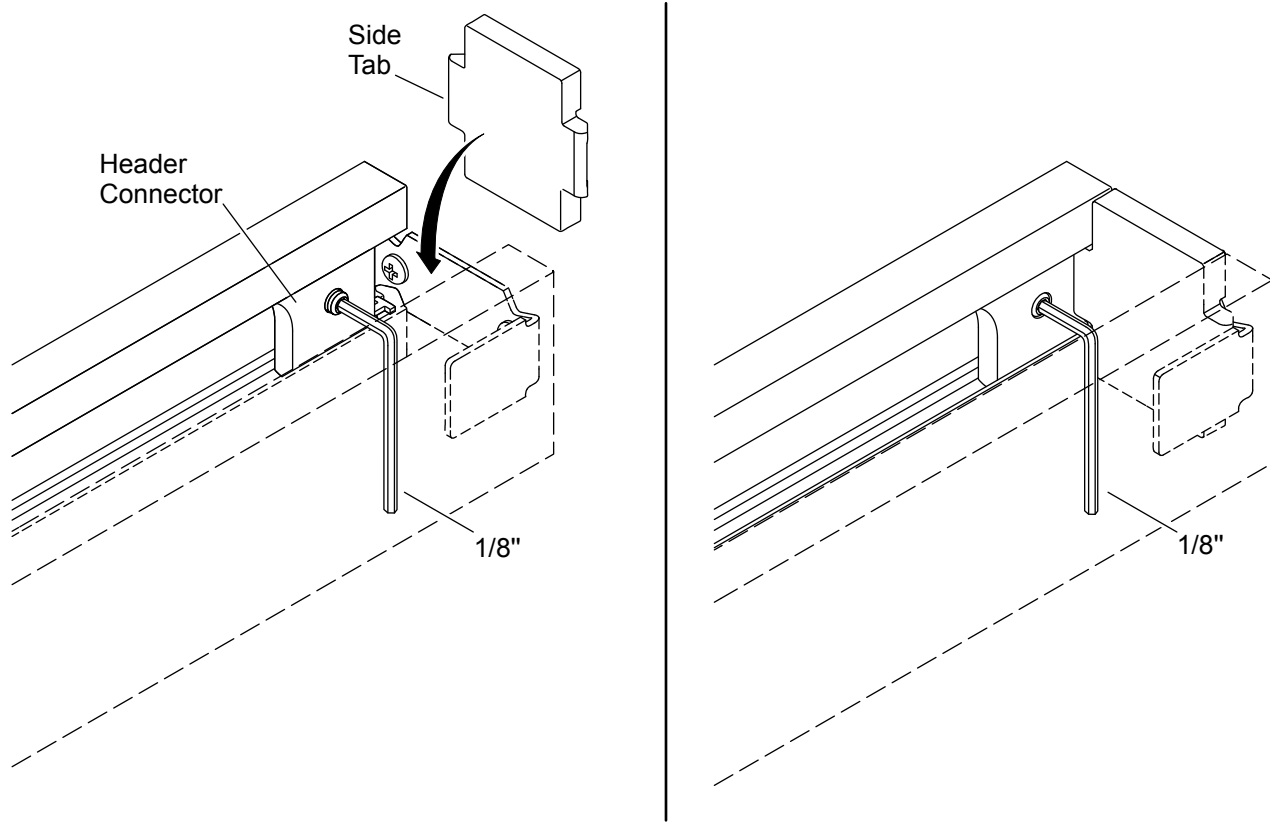
NOTICE: The two headers are identical.

- With the flat face of the header facing the outside of the shower, tilt the header as shown and lower it on to both brackets at the same time.

NOTE: The header will be slightly loose. It will be secured in the next section.

- Rotate the header onto both brackets at the same time to a vertical position and flat against the brackets.

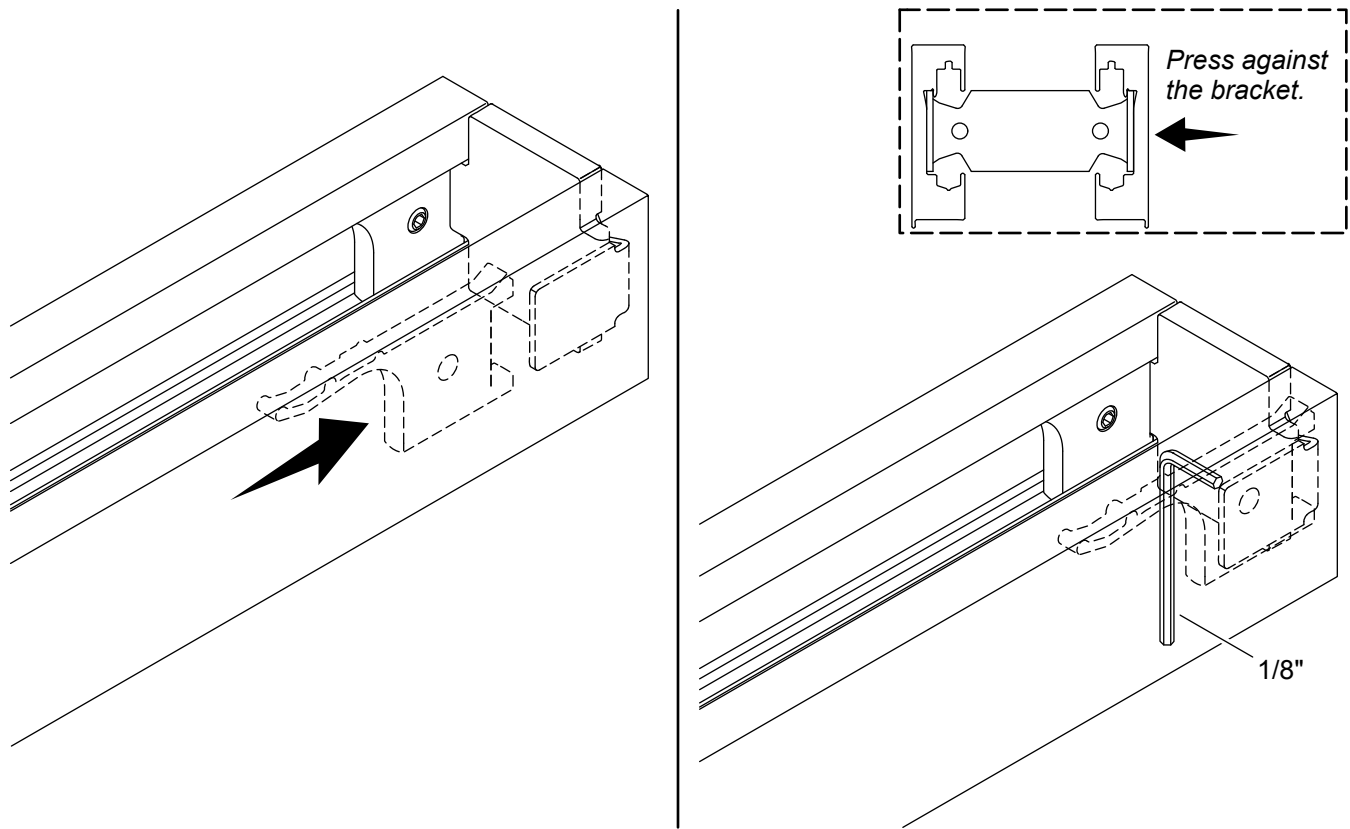
20. Install the Top Bumpers



NOTE: To ease bumper installation, the header connectors may need to be loosened and temporarily moved away from the bracket.

- Press the side tab of the bumper into the end of one of the headers behind the header connector. If the tab does not fit, use a 1/8" hex wrench to loosen the header connector.
- Rotate the bumper against the bracket, and press the opposite tab into the opposite header.
- Repeat for the second bumper on the opposite side.
- Make sure the header connectors are tight against the bumpers. Tighten the setscrew to secure in place.

21. Secure the Outside Header



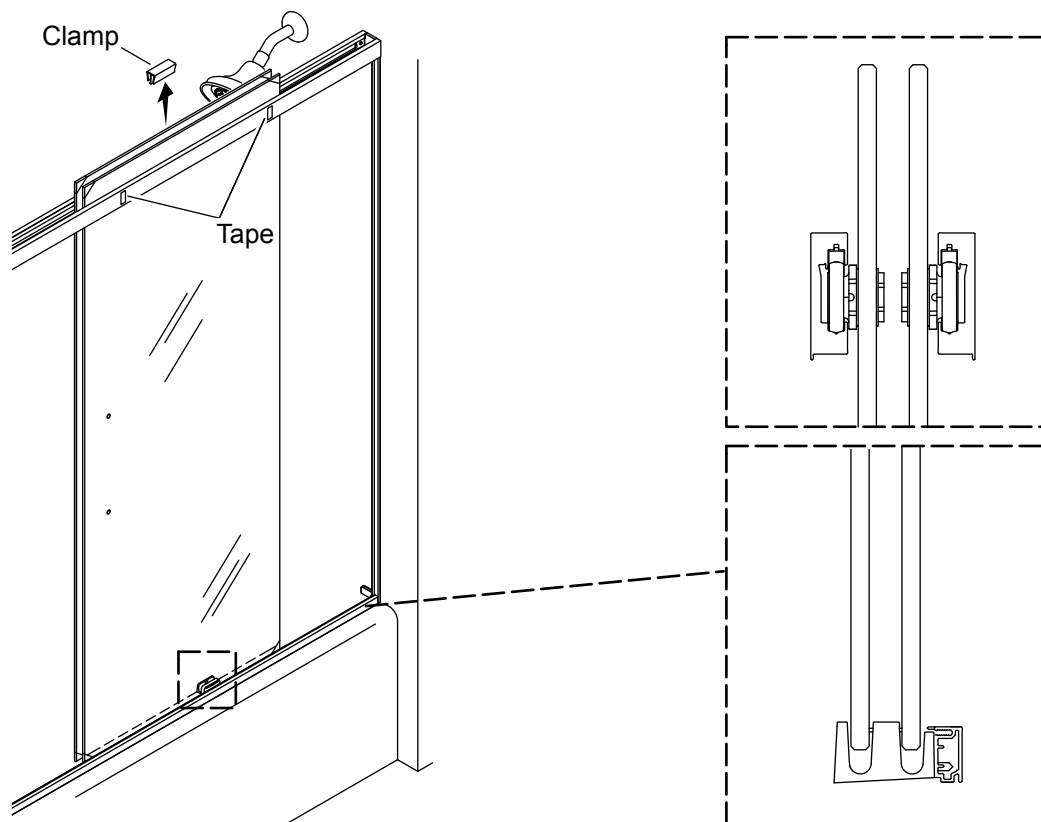
IMPORTANT! The header is secured to the brackets in this step so that the door panel may be hung.

- Press the header against the bracket, and slide the header connectors all the way to the wall at each end of the header.

NOTE: If the header connector does not slide over the bracket, either the screw must be loosened, the header is not properly installed on the bracket, or the bracket is tilted away from the wall. Make any adjustments as necessary.

- Secure the header by tightening each connector screw with a 1/8" hex wrench.

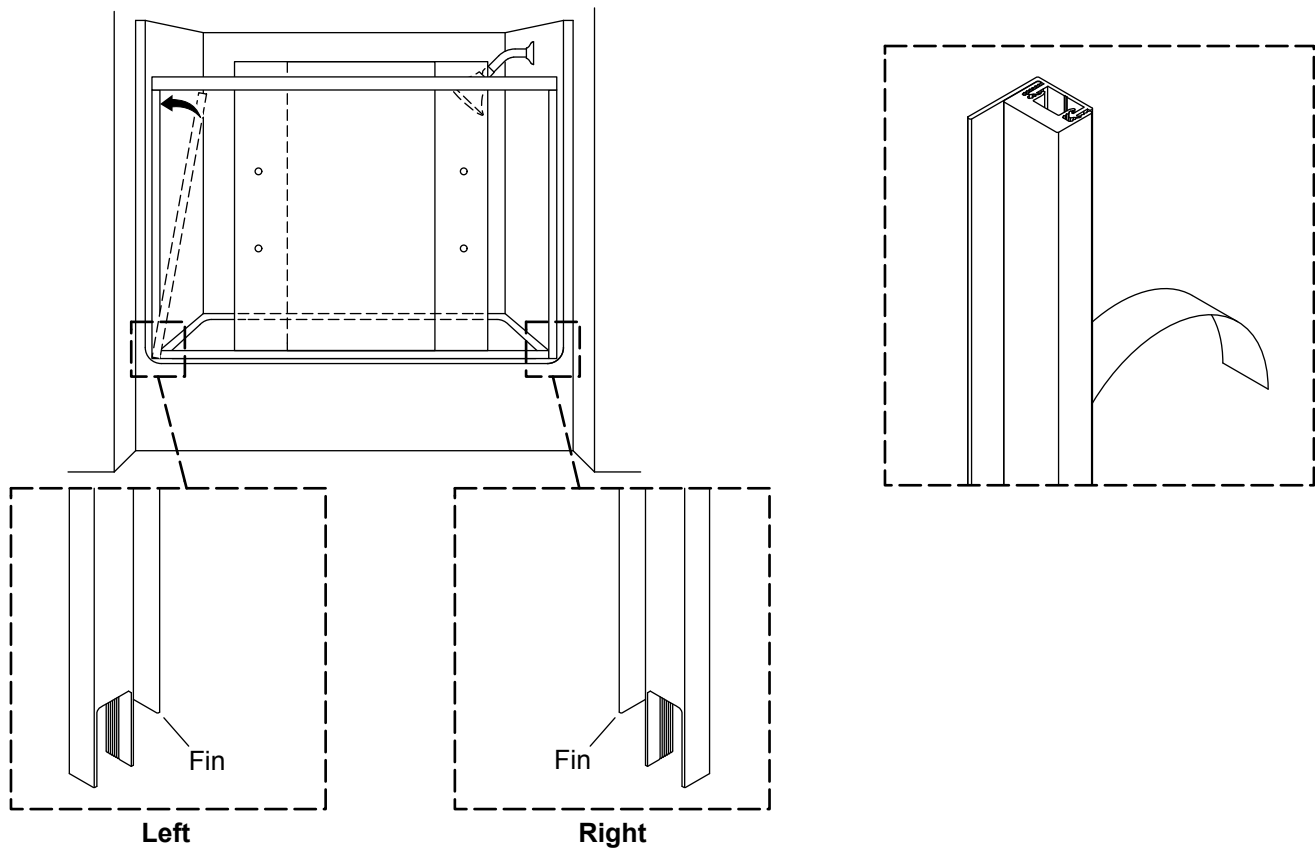
22. Install the Outside Panel



NOTE: The rollers and the label face the outside of the shower.

- Note the tape indicating the notch locations from the “Measure and Cut the Headers” section.
- Remove the clamp from the tops of the panels.
- With help, from outside the shower, lift the outside panel, align one roller with the notch in the outer header, and set the roller on the roller track.
- Lift the panel just enough to place a roller into one notch on the header. Then slide the panel over so the second roller is aligned with the other notch in the header.
- Verify that the bottom of the door panel is still in the centerguide channel.
- Remove the corner protectors from the panels.
- Make sure both panels move smoothly left to right.

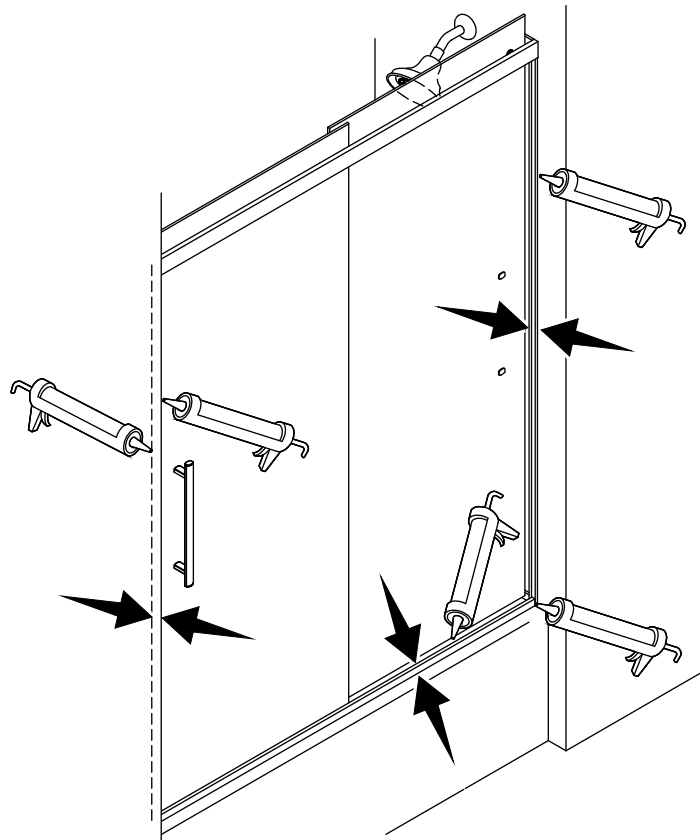
23. Install the Wall Jamb



NOTE: The fins on the wall jambs face the inside of the shower.

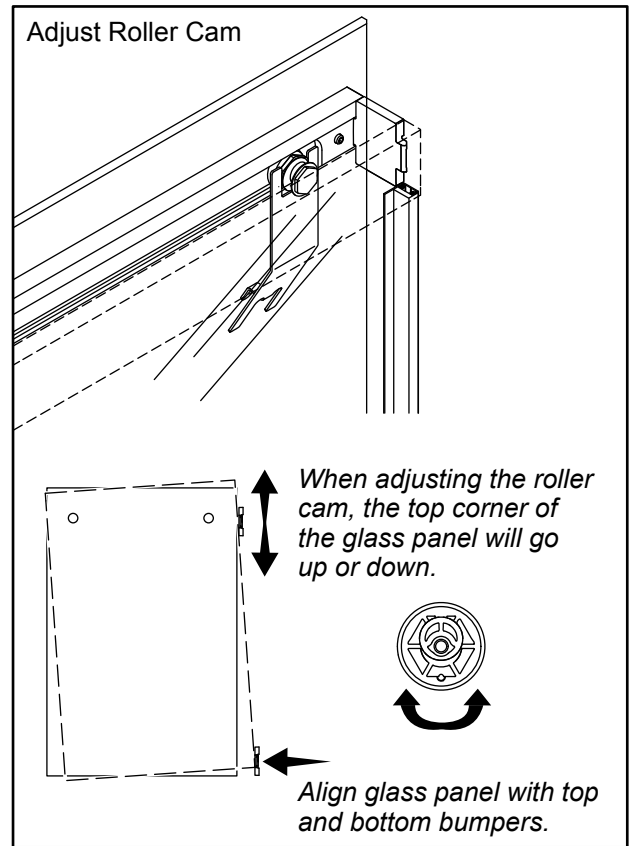
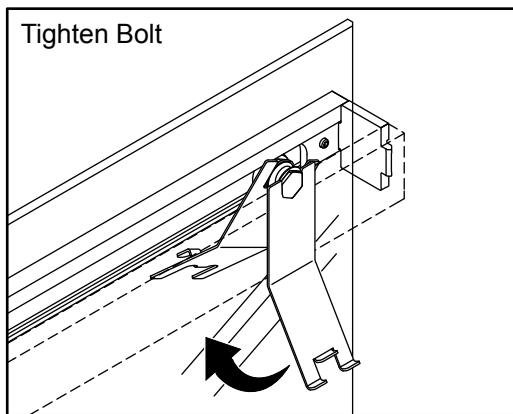
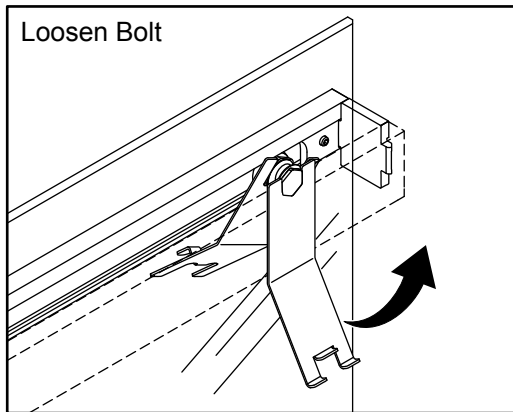
- Thoroughly clean the shower walls behind the wall jambs using the provided alcohol wipes before proceeding.
- Remove the film from the adhesive on the back of the wall jamb.
- Carefully align the bottom of the wall jamb over the threshold, then tilt up toward the wall. The top of the wall jamb should align with the header.
- Press firmly to bond the adhesive to the wall.
- Repeat for the second wall jamb.

24. Complete the Installation



- Install the handles following the instructions provided with the handles.
- Apply 100% silicone sealant along the wall jambs inside and outside the shower/bath.
- Apply 100% silicone sealant along the inside and outside edge of the threshold, around the centerguide, and around the left and right bottom bumpers.

Panel Adjustment and Maintenance



NOTICE: The panels may require adjustment to ensure that they touch the top and bottom bumpers in the proper closed position. The inside panel should close on the showerhead side, and the outside panel should close on the opposite side. Adjustment is easiest when done with the panel closed against the correct shower wall.

- To adjust the panels, loosen the roller bolt with the provided wrench. **Do not over-loosen!**
- Adjust the alignment of each end of the panel by turning the roller with the provided wrenches.
- Continue until the door operates smoothly, aligns evenly with the shower walls, and the door panels make contact with the top and bottom bumpers at the same time.
- When complete, securely tighten all four roller bolts.

Maintenance

- Check roller tightness annually.
- Retain the provided wrenches for future adjustment or retightening.

Troubleshooting

This troubleshooting guide is for general aid only. For service and installation issues or concerns, call 1-800-4KOHLER.

Symptoms	Probable Cause	Recommended Action
1. The door is noisy when opened or closed.	<p>A. The bracket may be installed too far out of level.</p> <p>B. The door panels are too low, rubbing on the base of the centerguide or the shower base/bath ledge.</p> <p>C. The rollers are loose.</p> <p>D. The rollers have worn and are noisy.</p>	<p>A. Remove the panels and headers, and level the bracket. If the bracket cannot be leveled, call the Customer Care Center.</p> <p>B. Adjust the rollers to raise the door panels. Refer to the "Panel Adjustment and Maintenance" section.</p> <p>C. Tighten the roller bolts using the supplied wrench.</p> <p>D. Replace the rollers.</p>
2. The door is hard to move or does not open.	<p>A. The door panels are too low, rubbing on the base of the centerguide or the shower base/bath ledge.</p> <p>B. The threshold seal is not fully seated, causing the door panel to rub.</p> <p>C. The headers are not secured to the brackets.</p> <p>D. The rollers are loose.</p>	<p>A. Adjust the rollers to raise the door panels. Refer to the "Panel Adjustment and Maintenance" section.</p> <p>B. Push the seal completely into the threshold.</p> <p>C. Verify that the header connectors are positioned over the brackets and secured in place with the setscrews.</p> <p>D. Tighten the roller bolts using the supplied wrench.</p>
3. The door panels are free to swing in and out of the shower.	<p>A. The centerguide is not installed.</p> <p>B. The centerguide is not installed in the correct location.</p> <p>C. The door panels are not correctly installed on the centerguide.</p> <p>D. The door panels are too high.</p>	<p>A. Install the centerguide according to the instructions.</p> <p>B. Install the centerguide on the center of the threshold.</p> <p>C. The glass panels should be positioned in the channels of the centerguide.</p> <p>D. Adjust the rollers to lower the panels. Refer to the "Panel Adjustment and Maintenance" section.</p>

Symptoms	Probable Cause	Recommended Action
<p>4. The centerguide is loose.</p>	<p>A. The centerguide is not installed over the clip.</p> <p>B. The centerguide clip is not installed.</p> <p>C. The screw connecting the centerguide clip is loose.</p> <p>D. The film on the adhesive on the bottom of the centerguide was not removed.</p>	<p>A. Remove the outside header and both door panels. Reinstall the centerguide over the clip. Reinstall the panels and outside header.</p> <p>B. Remove the outside header and both door panels. Install the clip, then install the centerguide over the clip. Reinstall the panels and outside header.</p> <p>C. Remove the outside header and both door panels. Tighten the clip screw. If the screw does not tighten, drill a new hole close to the original hole. Install the centerguide over the clip. Reinstall the panels and outside header.</p> <p>D. Remove the outside header and both door panels. Lift the centerguide off the clip, remove the film on the tape and reinstall the centerguide over the clip. Reinstall the panels and outside header.</p>
<p>5. Water leaks.</p>	<p>A. Water leaks under the threshold.</p> <p>B. Water leaks under a door panel.</p> <p>C. Water leaks under a door panel.</p> <p>D. Water leaks between door panels.</p> <p>E. Water leaks around the wall jamb.</p> <p>F. Water leaks at the bottom of the wall jamb and over the threshold.</p>	<p>A. Apply 100% silicone sealant to the outside edge of the threshold. See silicone sealant manufacturer's instructions before using shower.</p> <p>B. Adjust the rollers to lower the door panels closer to the shower base/bath ledge. Refer to the "Panel Adjustment and Maintenance" section.</p> <p>C. Check the height of the header. The header should sit on top of the wall jambs.</p> <p>D. When showering, make sure that the inside panel is closest to the showerhead.</p> <p>E. Adjust the door panel so the panel touches both the top and bottom bumpers. Try not to spray water directly onto the door panels.</p> <p>F. If there is a gap between the bottom of the wall jamb seal and the top of the threshold, silicone this area.</p>
<p>6. The wall jamb cannot be installed under the header.</p>	<p>A. The bracket is installed too low.</p>	<p>A. Adjust the bracket higher by loosening the screws and pushing upward on the bracket.</p>
<p>7. Wall jamb does not stay in place.</p>	<p>A. The wall jamb is not secured in place with 100% silicone sealant.</p> <p>B. The wall is not properly cleaned.</p> <p>C. The wall has a rough surface/texture.</p>	<p>A. Apply 100% silicone sealant along the inside and outside surface of the wall jamb. Let the silicone cure for 24 hours or as instructed by the silicone manufacturer.</p> <p>B. Contact the Customer Care Center for new parts and an alternative method to install wall jamb and seal. This will require the wall jamb and seal to be carefully removed or replacement parts will be needed.</p> <p>C. Contact the Customer Care Center for new parts and an alternative method to install wall jamb and seal. This will require the wall jamb and seal to be carefully removed or replacement parts will be needed.</p>

Instructions d'installation

Porte de douche coulissante

Merci d'avoir choisi KOHLER

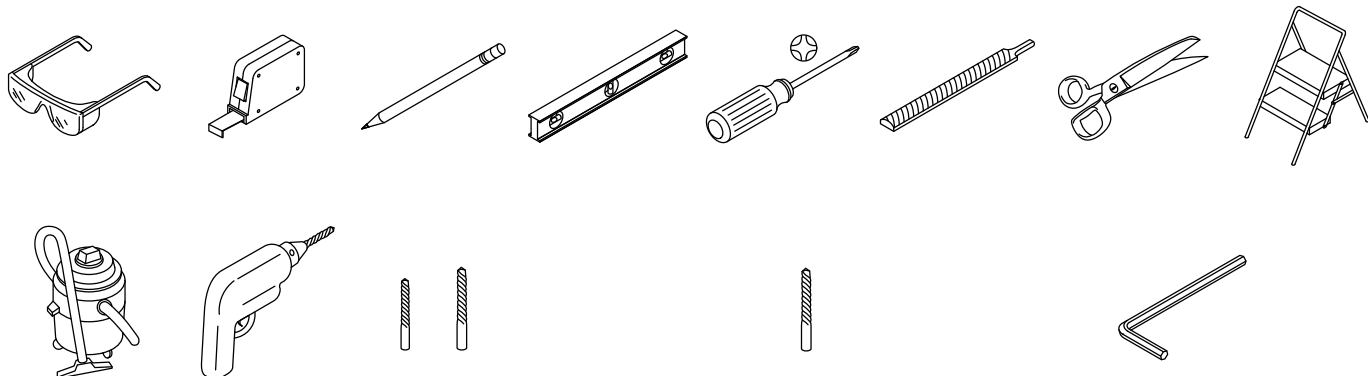
Besoin d'aide? Appeler notre centre de services à la clientèle.

- USA/Canada : 1-800-4KOHLER (1-800-456-4537) Mexique : 001-800-456-4537
- Pièces d'entretien : kohler.com/serviceparts
- Entretien et nettoyage : kohler.com/clean
- Brevets : kohlercompany.com/patents

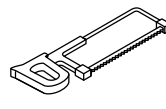
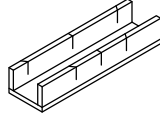
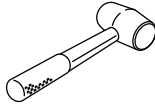
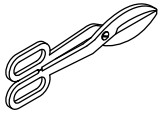
Garantie

Ce produit est couvert sous la garantie limitée de dix ans des portes de baignoires et de douches KOHLER®, fournie sur le [site kohler.com/warranty](http://site.kohler.com/warranty). Pour obtenir une copie imprimée des termes de la garantie, s'adresser au centre de services à la clientèle.

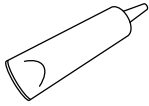
Outils et matériel



1/8 po, 1/4 po Mèche de maçonnerie de 1/4 po pour carrelage 3/32 po, 1/8 po










Cisailles de ferblantier Maillet en caoutchouc Boîte à onglets Lame de 32 dents par pouce Ruban-cache



Mastic d'étanchéité à la silicone à 100 % Gants de protection

Avant de commencer

-  **AVERTISSEMENT : Risque de blessures graves.** Des dommages avant l'installation peuvent entraîner des éclatements de verre. Inspecter le verre et toutes les pièces pour y rechercher des dommages éventuels avant l'installation.
-  **AVERTISSEMENT : Risque de blessures graves.** Une installation incorrecte peut entraîner des éclatements de verre. Suivre toutes les instructions d'installation.
-  **AVERTISSEMENT : Risque de blessures graves.** Ne pas couper le verre trempé. Le verre trempé éclate lorsqu'il est coupé.
-  **AVERTISSEMENT : Risque de blessures graves.** Les panneaux de porte de la douche peuvent éclater. Inspecter régulièrement le verre et toutes les pièces pour y rechercher des dommages, ou des pièces manquantes ou desserrées.
-  **AVERTISSEMENT : Risque de blessures graves.** Toujours porter des lunettes de sécurité pendant la découpe et le perçage.
-  **ATTENTION : Risque de blessures.** Le verre trempé ne doit pas entrer en contact avec des surfaces dures, car le verre risquerait de se briser. Ne pas toucher le bord du panneau de verre trempé avec des outils ou des objets durs.
-  **ATTENTION : Risque de blessures.** Le verre trempé pourrait éclater. Porter des manches longues et des vêtements de protection pour prévenir les blessures en cas d'éclatement de verre.

IMPORTANT! Laisser ce manuel pour l'utilisateur final. Lire toutes les instructions avant d'installer ou d'utiliser ce produit.

IMPORTANT! Cette porte est conçue pour s'adapter à des murs qui sont hors d'aplomb de moins de jusqu'à 3/8 po (10 mm). Vérifier que la zone sur laquelle la porte sera fixée est comprise dans un rayon de 3/8 po (10 mm) de l'aplomb. La porte risque de ne pas fonctionner correctement si le mur est hors d'aplomb de plus de 3/8 po (10 mm).

IMPORTANT! Ne pas retirer les protecteurs de coins des panneaux de porte avant d'avoir installé ces derniers.

Recouvrir le drain avec du ruban adhésif afin d'éviter de perdre les petites pièces.

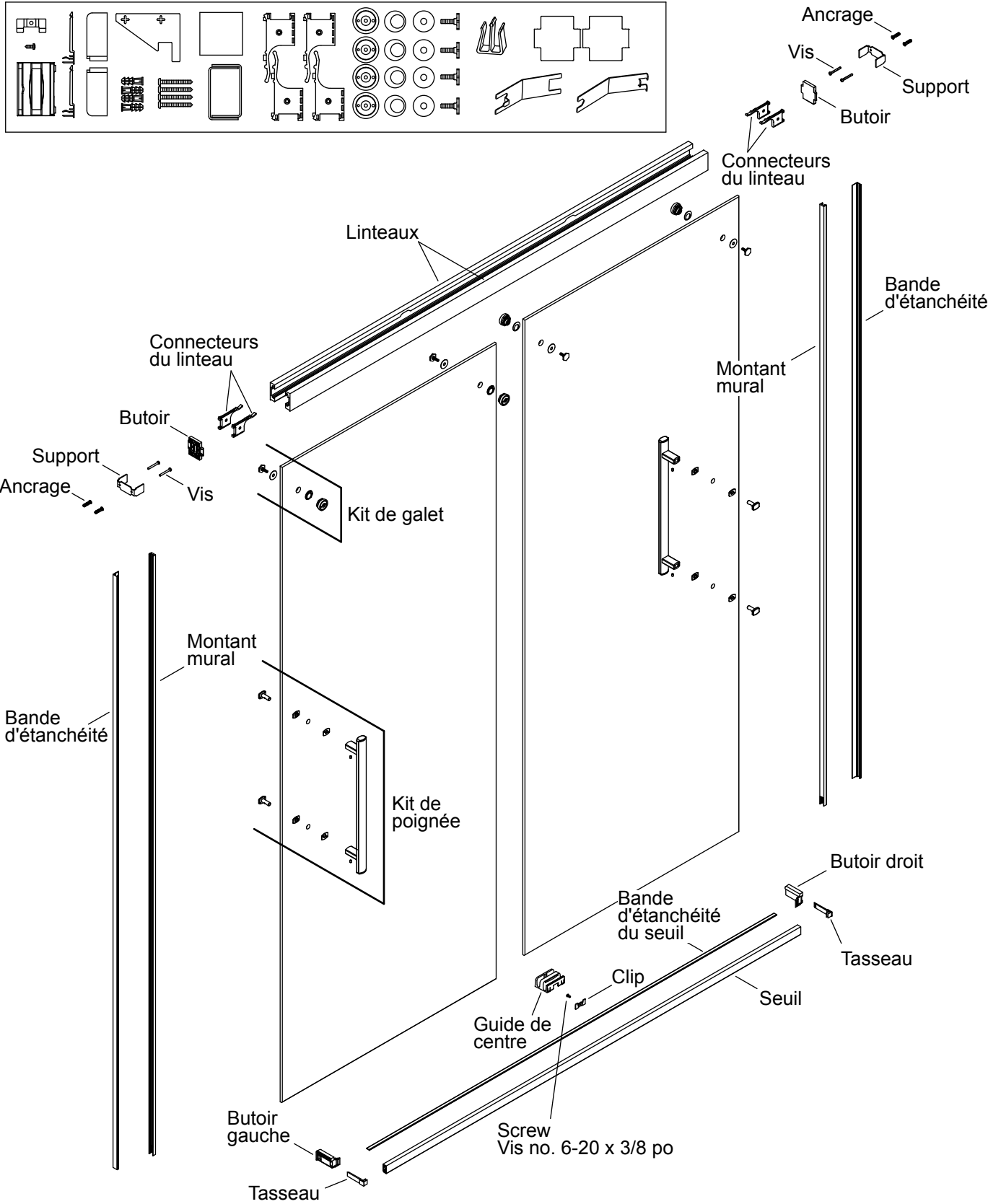
Identifier toutes les pièces avant l'installation. Vérifier qu'elles sont en bon état.

Suivre les instructions du fabricant du mastic d'étanchéité à la silicone en ce qui concerne l'application et le temps de prise.

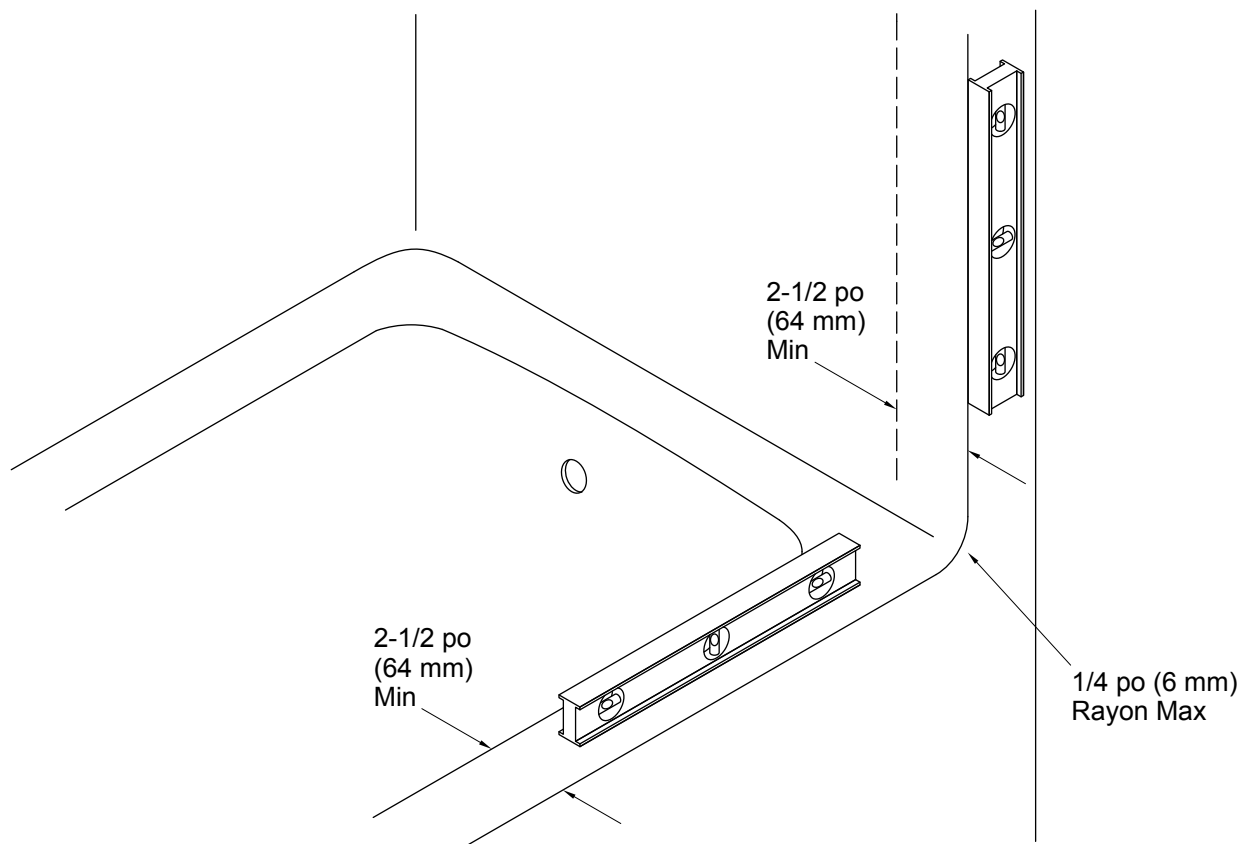
Deux personnes doivent effectuer cette installation.

Regarder cette installation en ligne; se rendre sur le site kohler.com et rechercher le numéro du produit en question.

Identification des pièces



1. Vérifier la compatibilité entre le rebord et le mur



IMPORTANT! Pour un alignement et un fonctionnement adéquats de la porte, vérifiez que les murs et le rebord de la baignoire/base de la douche sont conformes aux conditions requises suivantes. Ne pas installer la porte si ces conditions requises ne sont pas présentes.

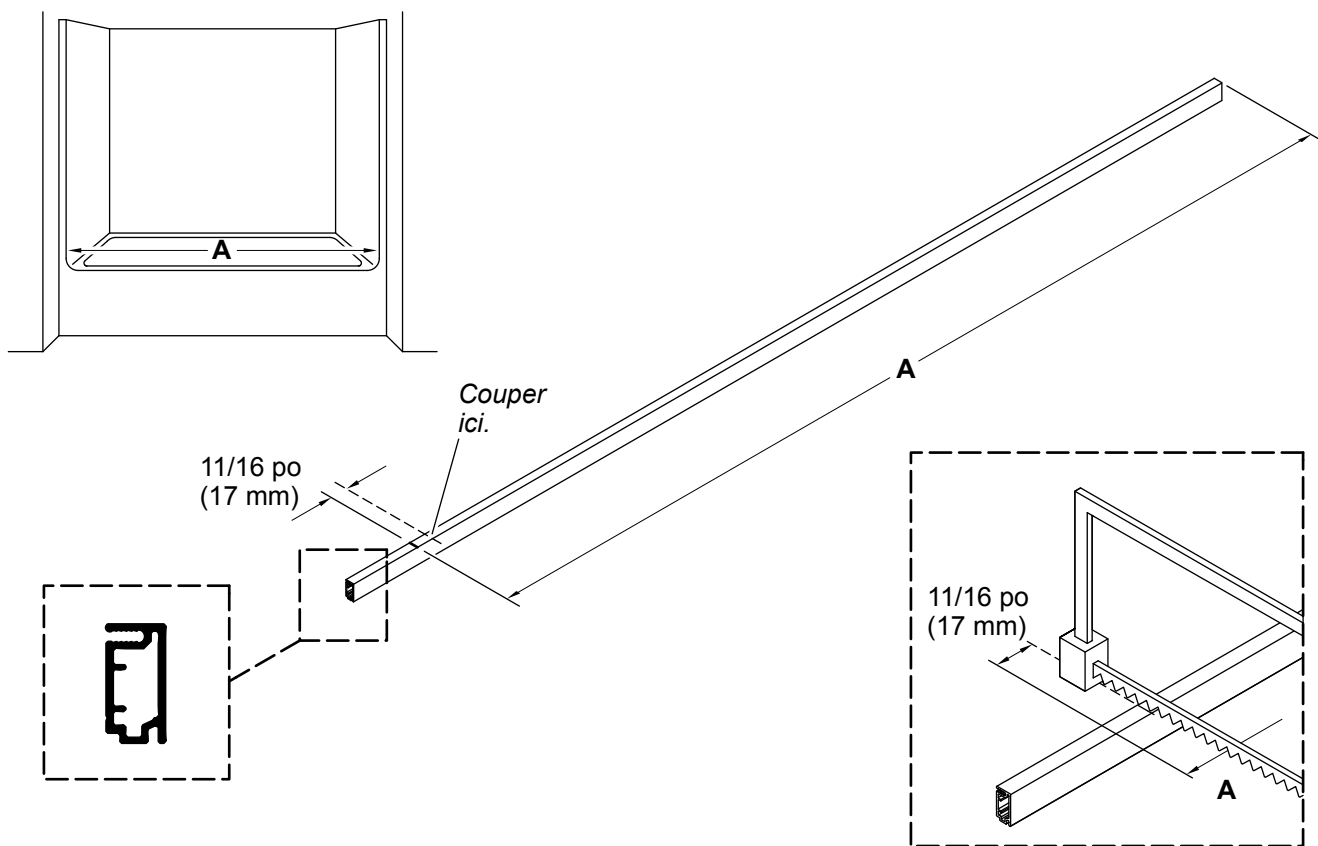
Une surface plate de 2-1/2 po (64 mm) au moins doit être présente sur les murs et le rebord de la baignoire/base de douche.

Les murs doivent être compris dans un rayon de 3/8 po (10 mm) de l'aplomb.

Le rebord de la baignoire/base de douche doit être à niveau entre les murs.

Le rayon du rebord de la baignoire/base de douche où il entre en contact avec le mur doit être de 1/4 po (6 mm) ou moins.

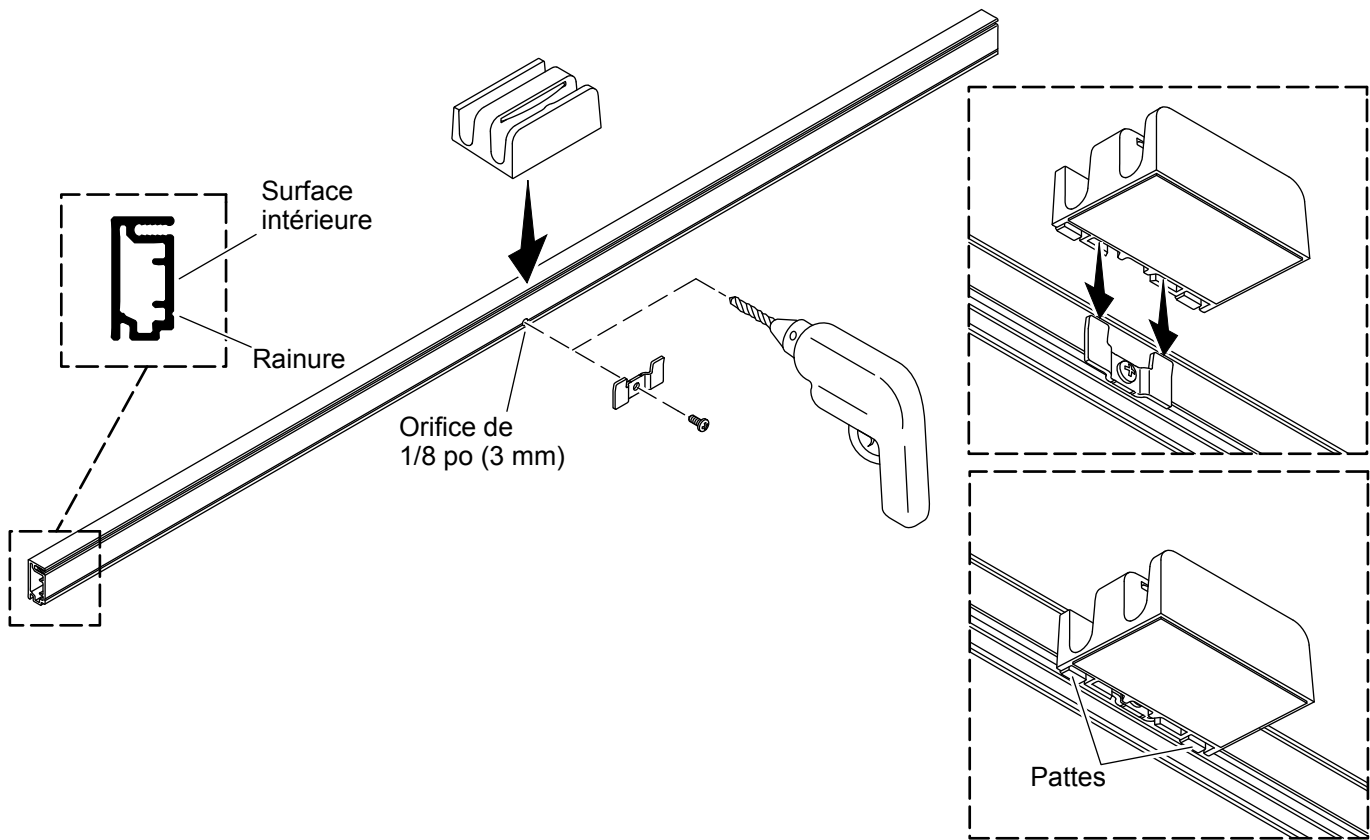
2. Mesurer et couper le seuil



⚠ AVERTISSEMENT : Risque de blessures graves. Toujours porter des lunettes de sécurité pendant la découpe et le perçage.

- Utiliser une toile de protection pour protéger la surface de la douche.
- Mesurer la distance « A » entre les murs de la douche et marquer la distance sur le seuil.
- Mesurer 1/2 po (13 mm) à partir de « A » et placer un deuxième repère sur le seuil, comme sur l'illustration.
- Couper le seuil au niveau du deuxième repère et limer tous les bords rugueux.

3. Installer le guide central

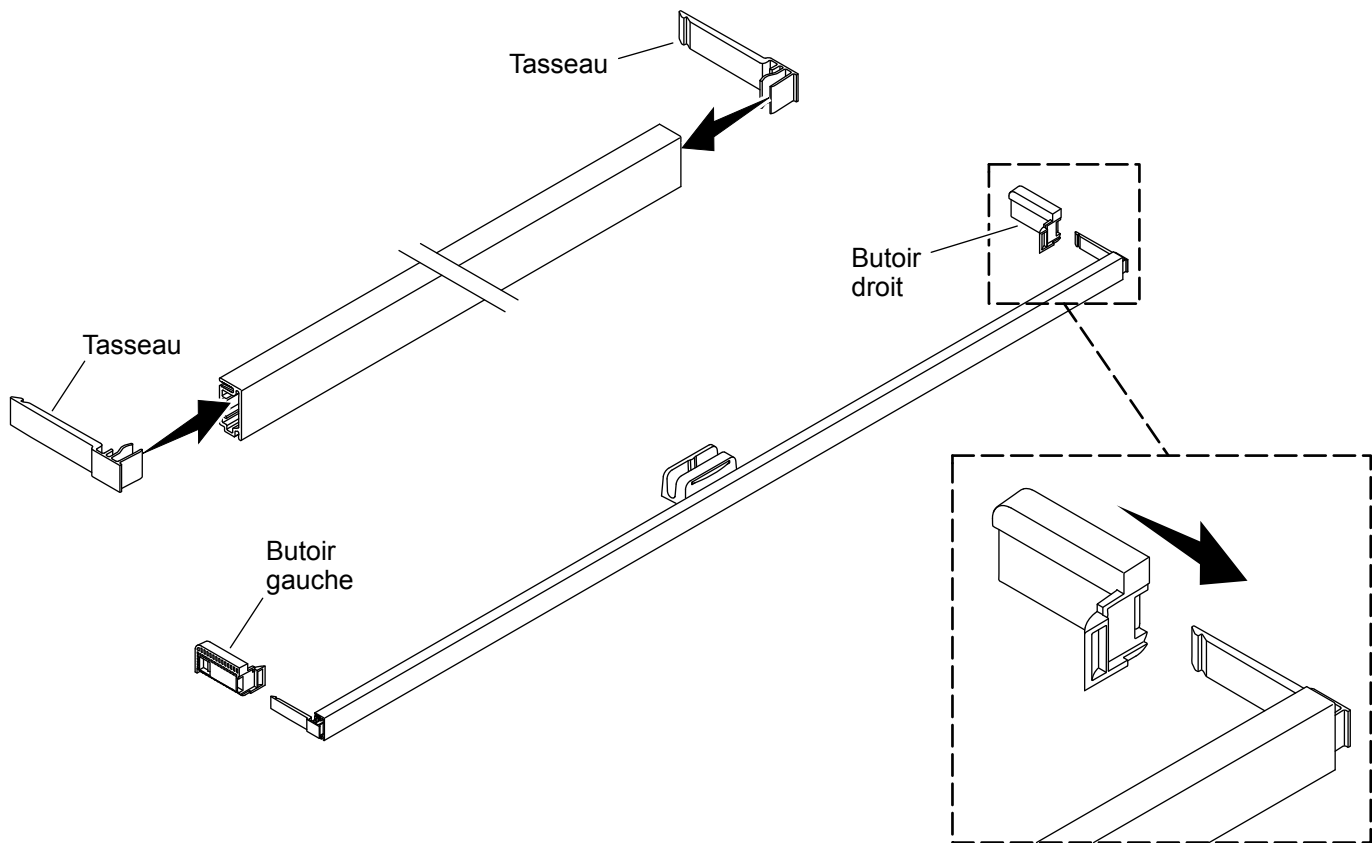


- Mesurer le centre du seuil. Marquer la ligne centrale à proximité de la rainure sur la surface intérieure du seuil.

IMPORTANT! Percer à travers la surface intérieure seulement.

- Percer un trou de 1/8 po au niveau de la ligne centrale sur la rainure de la surface intérieure du seuil.
- Installer le clip du guide central sur le seuil avec la vis n° 6 x 3/8 po fournie.
- Enfoncer le guide central par-dessus le clip. S'assurer que le guide central est entièrement installé avec les pattes enclenchées sous le dessous du seuil.

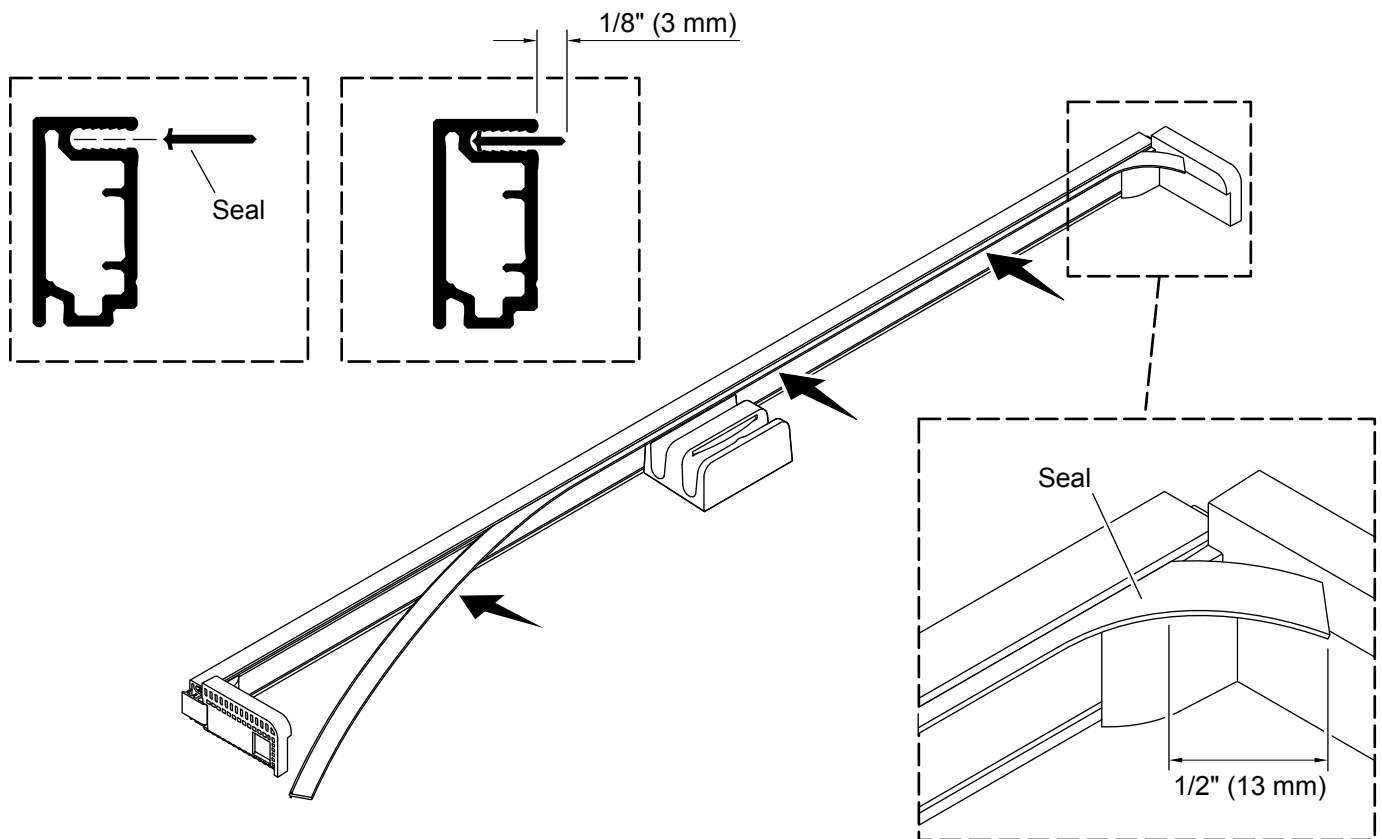
4. Installer les butoirs sur le seuil



REMARQUE : Il y a un butoir côté gauche et un butoir côté droit. Les tasseaux sont identiques.

- Installer un tasseau dans chaque extrémité du seuil de manière à ce qu'ils soient dirigés dans la même direction que celle du guide central.
- Enfoncez les butoirs gauche et droit sur les tasseaux comme sur l'illustration.

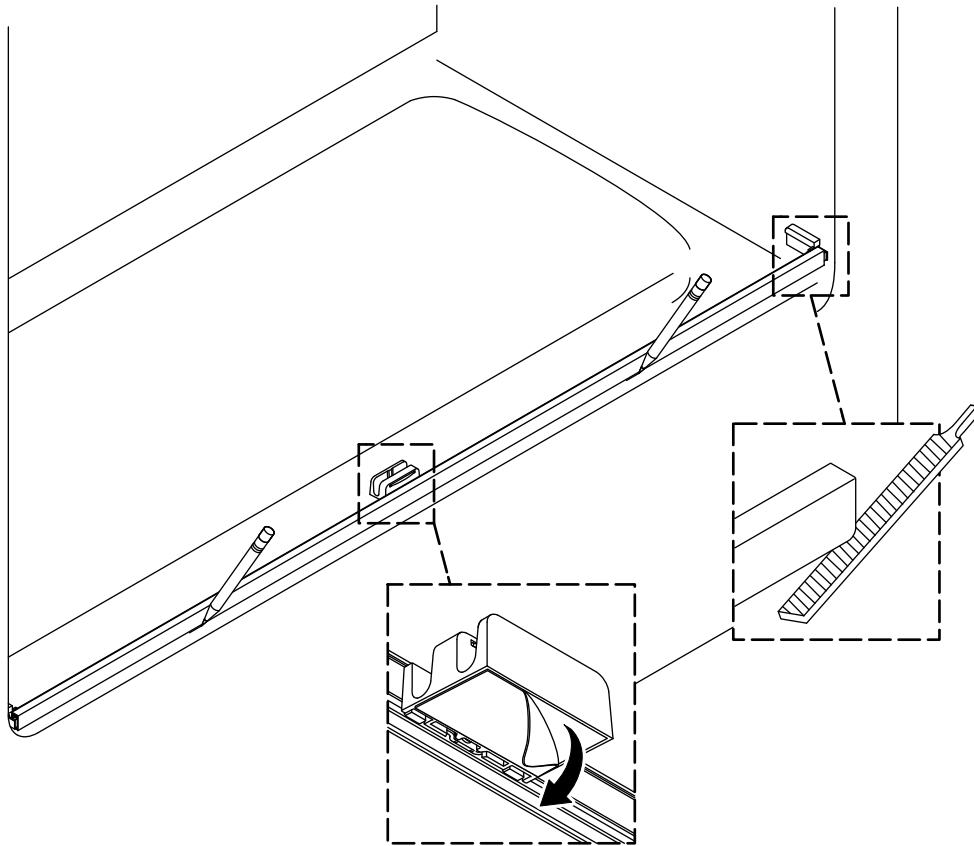
5. Installer le joint d'étanchéité du seuil



IMPORTANT! Le joint d'étanchéité doit être installé avec 1/2 po (13 mm) au moins se prolongeant au-delà de chaque extrémité du seuil. Le joint d'étanchéité sera coupé pour être adapté une fois que le seuil sera installé.

- Enfoncer la bande d'étanchéité dans le canal dans le seuil, en laissant 1/2 po (13 mm) environ se prolonger au-delà de l'extrémité du seuil. Le fait de mouiller le joint d'étanchéité facilitera l'installation de ce dernier.

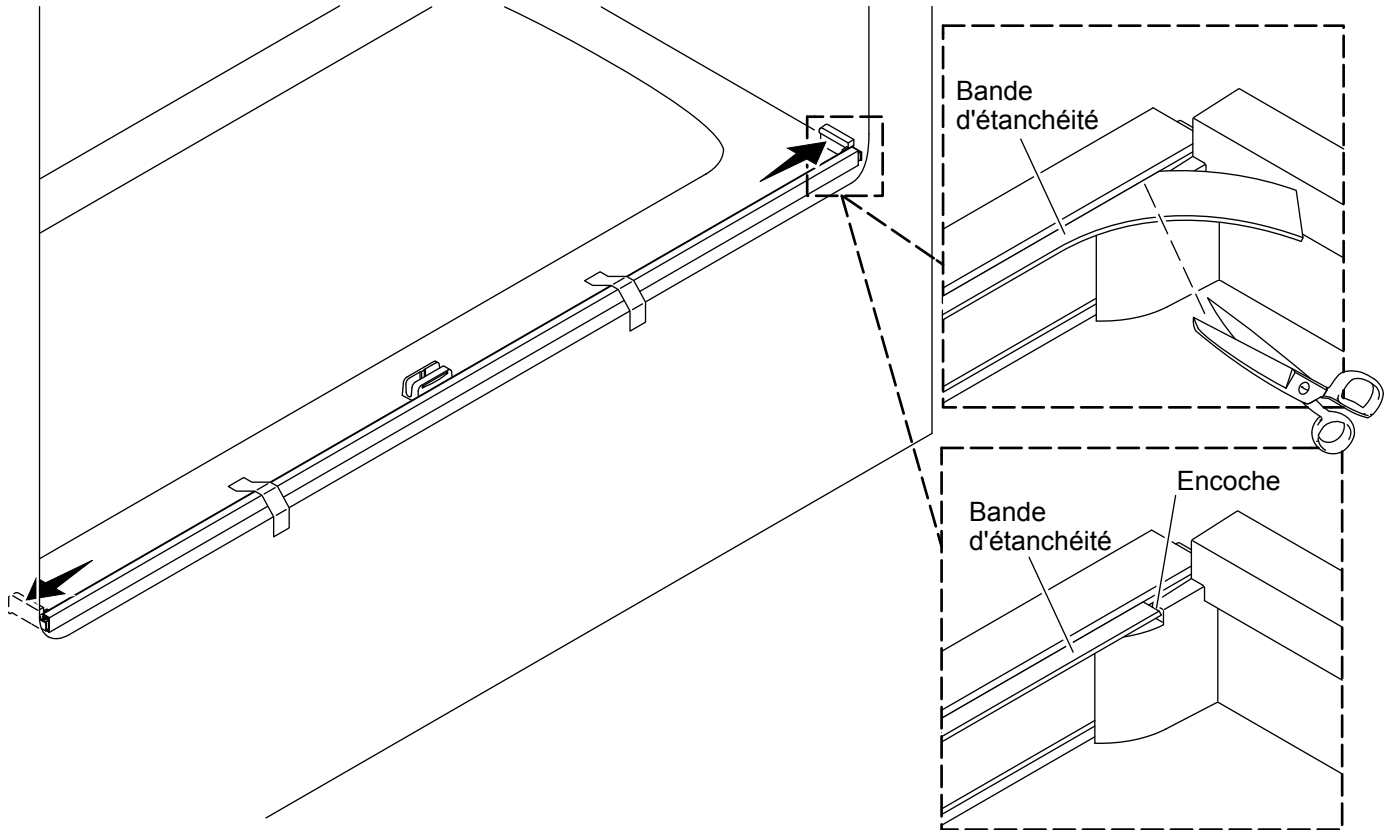
6. Positionner le seuil



AVIS : Le seuil doit reposer sur une surface plate.

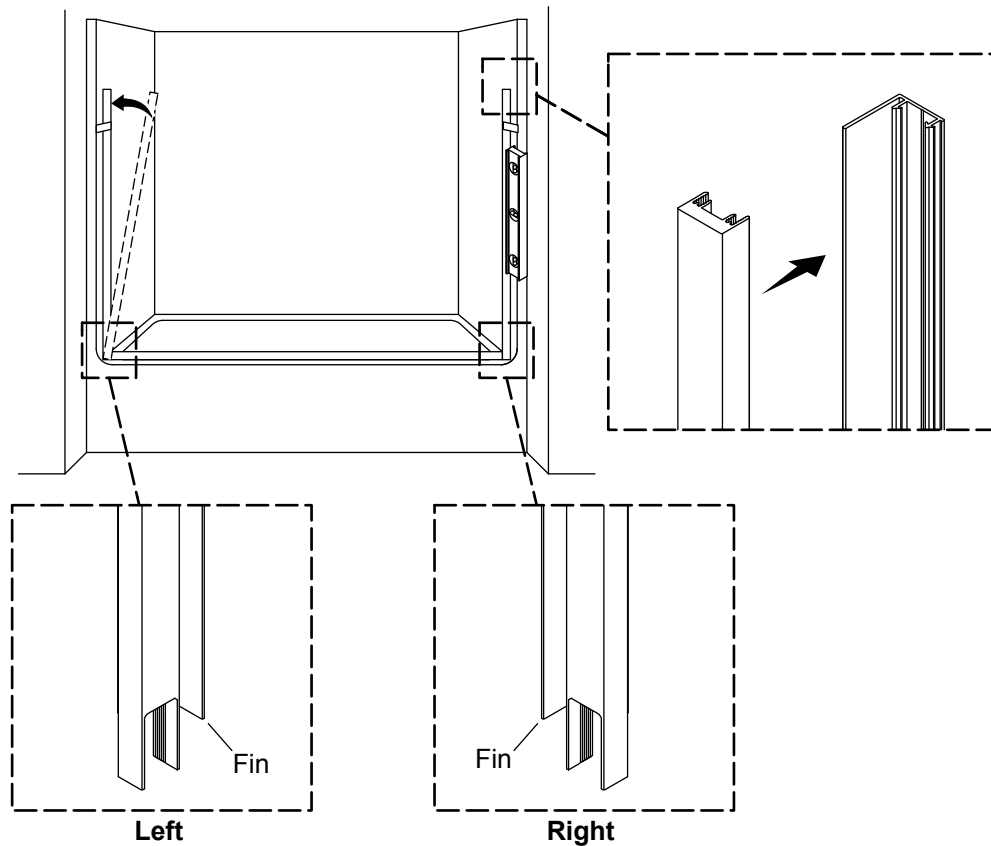
- Bien nettoyer le rebord de la baignoire/base de la douche avant de continuer.
- Au besoin, limer les extrémités du seuil pour les adapter au rayon de bec du mur de la douche.
- Poser l'ensemble du seuil sur la surface plate du rebord de la baignoire/base de la douche aussi près que possible du bord extérieur.
- Aligner le seuil de manière à ce qu'il soit à une distance égale de l'avant du rebord de la baignoire/base de la douche le long de toute sa longueur.
- Marquer l'emplacement du seuil, puis retirer le seuil.
- Retirer le film de l'adhésif sur le fond du guide central.
- Installer le seuil sur les repères et appuyer fermement sur le guide central pour coller l'adhésif.

7. Terminer l'installation du seuil



- Utiliser du ruban-cache pour fixer temporairement le seuil en place jusqu'à ce que les montants muraux soient installés.
- Appuyer les butoirs contre les murs.
- Utiliser des ciseaux pour couper le joint d'étanchéité à chaque extrémité du seuil de manière à ce qu'elle soit appariée avec l'encoche dans le butoir.

8. Préparer les montants muraux

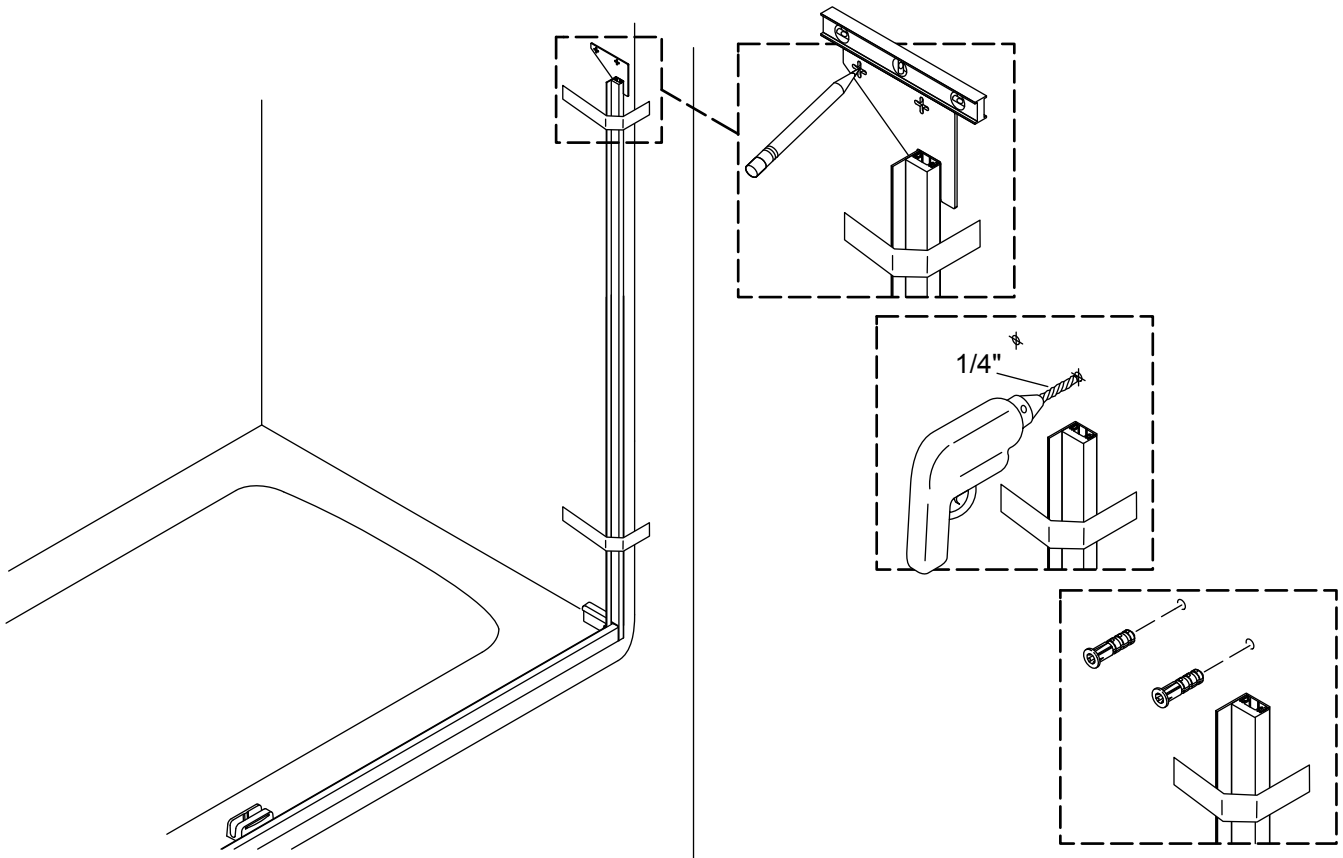


REMARQUE : L'ailette flexible du joint d'étanchéité se trouve sur l'intérieur des montants muraux.

REMARQUE : Les montants muraux sont plus longs que les joints d'étanchéité.

- En commençant dans le haut, enfoncer un joint d'étanchéité sur chaque montant de mur de manière à ce qu'il y ait un ensemble gauche et un ensemble droit comme sur l'illustration.
- Positionner les ensembles de montants muraux par-dessus le seuil de manière à ce que l'ailette flexible se trouve sur l'intérieur de la douche. Si nécessaire, découper les coins du métal pour adapter le rayon de coin du mur de la douche.
- Utiliser un niveau à bulle pour mettre les montants de mur d'aplomb et marquer les emplacements sur le mur.
- Utiliser du ruban-cache pour fixer temporairement la partie supérieure des montants de mur en place. Ne pas fixer avec l'adhésif sur l'arrière du joint d'étanchéité à ce point.

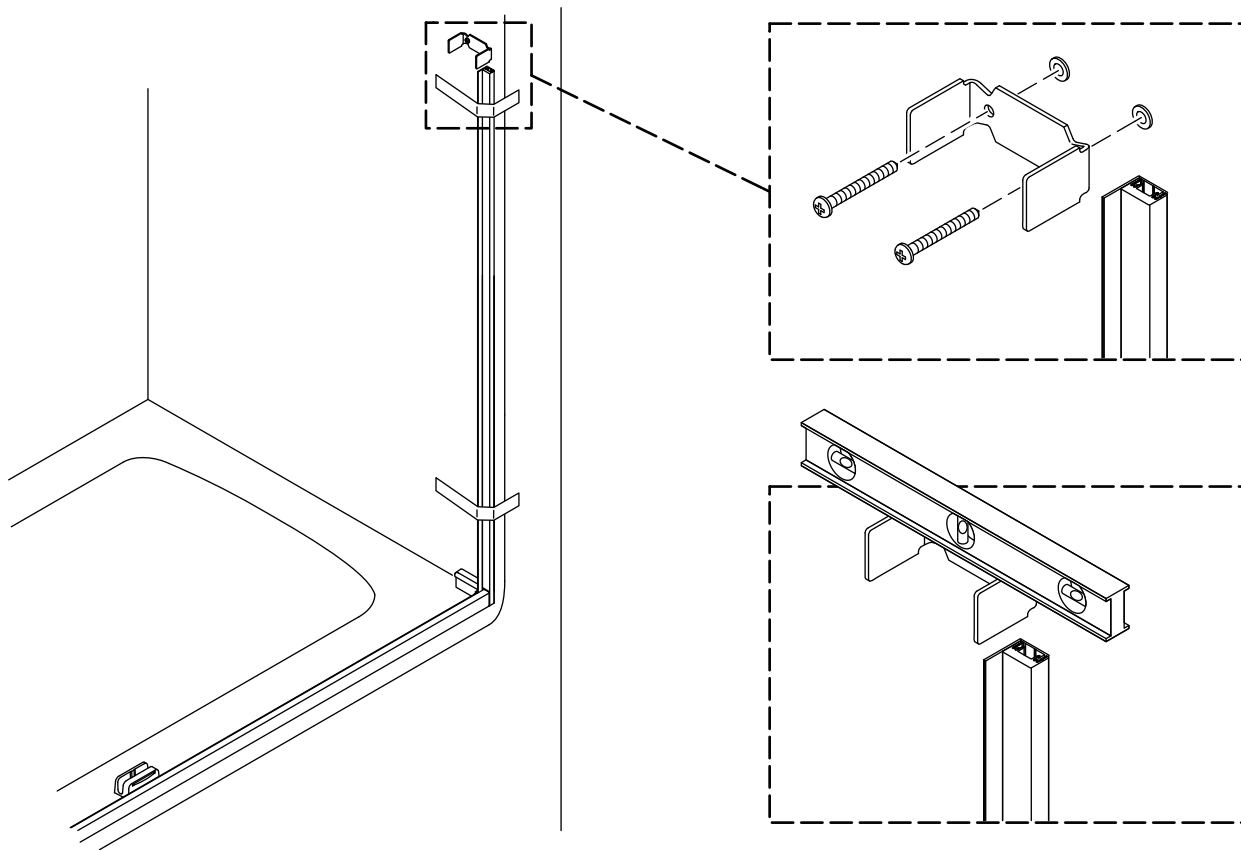
9. Préparer les trous du support mural



IMPORTANT! Les emplacements des trous pour les supports muraux sont de première importance. Vérifier que les trous sont marqués correctement et percés tout droit dans le mur.

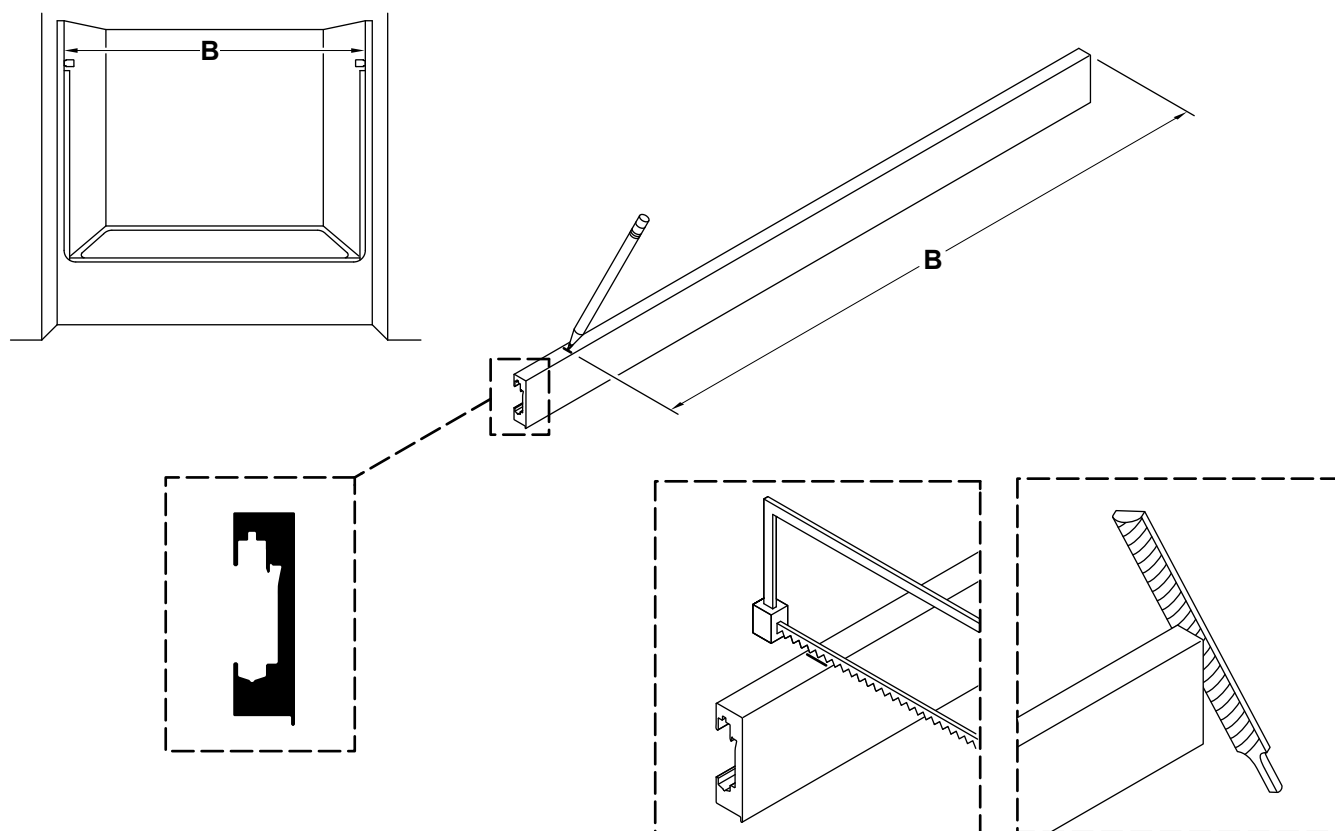
- S'assurer que le haut du montant de mur est fixé en place avec du ruban-cache.
- Positionner le gabarit de perçage par-dessus le montant de mur, en le pointant dans la douche comme sur l'illustration.
- Vérifier que le gabarit est entièrement assis par-dessus le montant de mur, à plat contre le mur, et de niveau.
- Marquer les autres emplacements des trous et retirer le gabarit.
- Percer des trous de 1/4 po dans le mur aux emplacements marqués. **Vérifier que la perceuse ne se trouve pas à un angle lors du perçage.**
- Installer les chevilles d'ancrage mural fournies. Vérifier que les chevilles d'ancrage sont entièrement assises dans le mur.
- Répéter pour le mur opposé.

10. Installer les supports muraux



- Bien nettoyer la surface du mur et de la douche avant de continuer.
- Fixer le support en utilisant deux vis n° 8-18 x 1-1/2 po (fournies).
- Vérifier que le support mural est de niveau. Desserrer les vis et ajuster la position au besoin.
- Répéter pour le mur opposé.

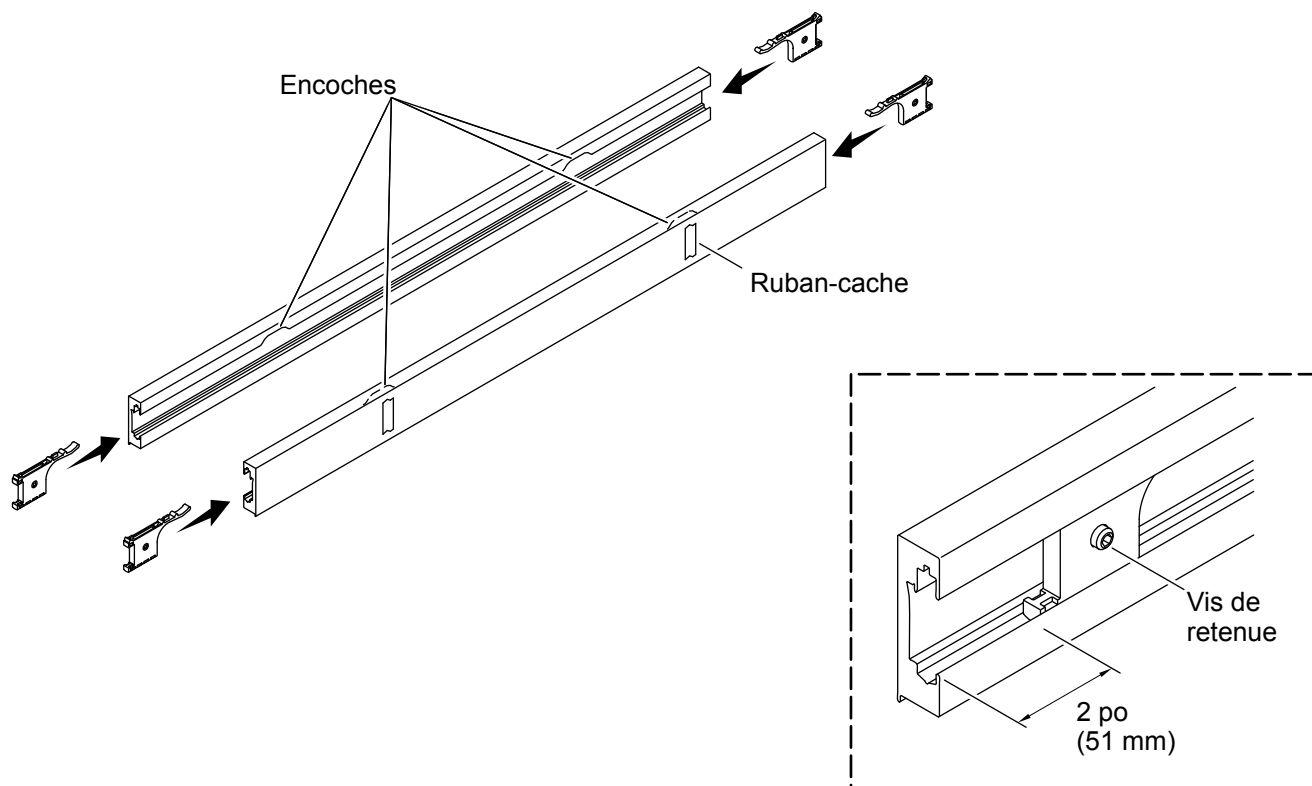
11. Mesurer et couper les linteaux



IMPORTANT! Vérifier les mesures avant de couper. Ne pas couper le linteau trop court.

- Mesurer la distance « **B** » entre les murs de la douche et marquer chacun des deux linteaux.
- À l'aide d'une scie égoïne, couper chaque linteau juste à l'intérieur de la ligne marquée.
- Limer tous les bords rugueux et éliminer les débris des rails des galets.

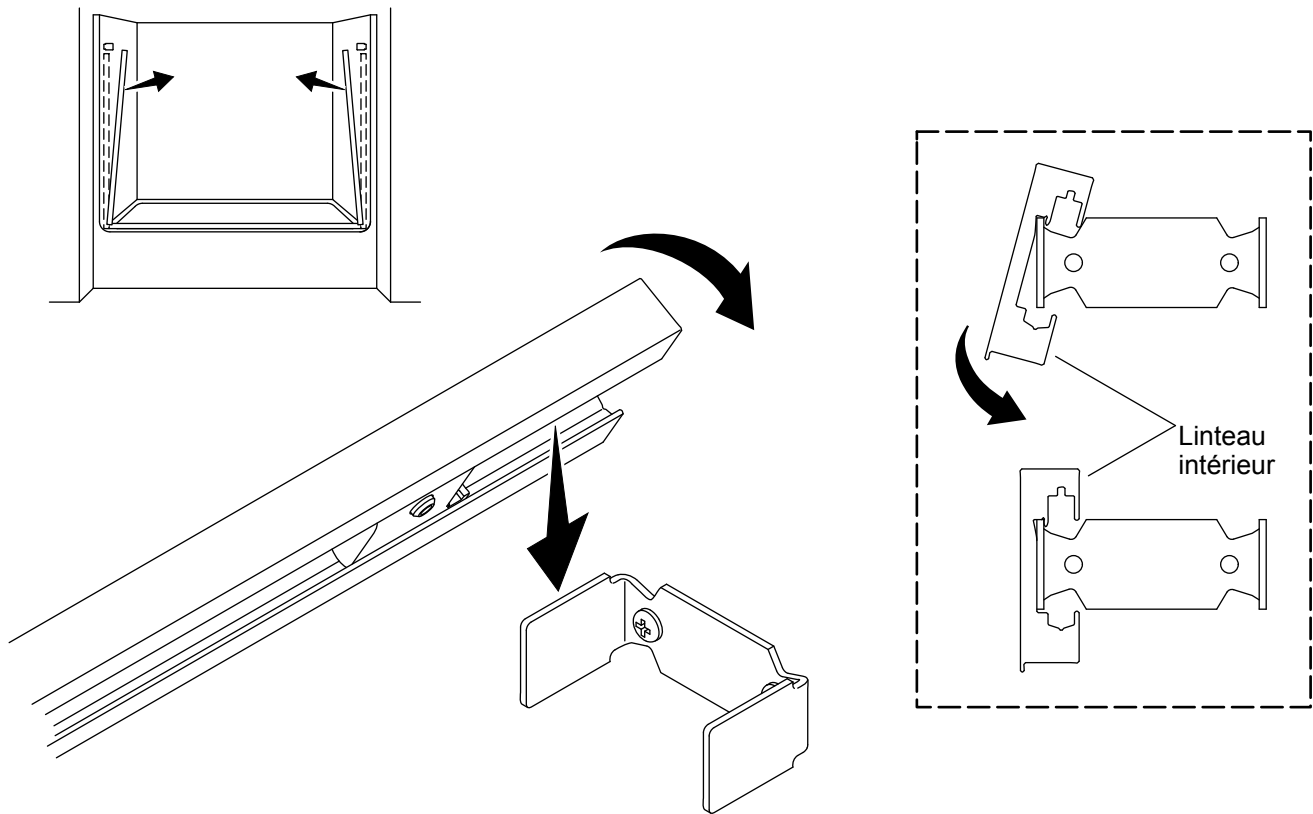
12. Installer les connecteurs sur les linteaux



AVIS : Les deux linteaux sont identiques.

- Repérer les encoches le long des rails intérieurs des linteaux.
- Marquer les emplacements avec des morceaux de ruban sur l'extérieur des linteaux. Cela facilitera l'installation du panneau de porte plus tard.
- Enfoncer un connecteur de linteau dans l'extrémité de chaque linteau comme sur l'illustration. La tête de la vis hexagonale doit être visible.
- Positionner chaque connecteur à 2 po (51 mm) environ des extrémités des linteaux de manière à ce qu'ils soient dégagés des supports pendant l'installation des linteaux.

13. Positionner le linteau intérieur



IMPORTANT! Seulement installer le linteau intérieur à ce point.

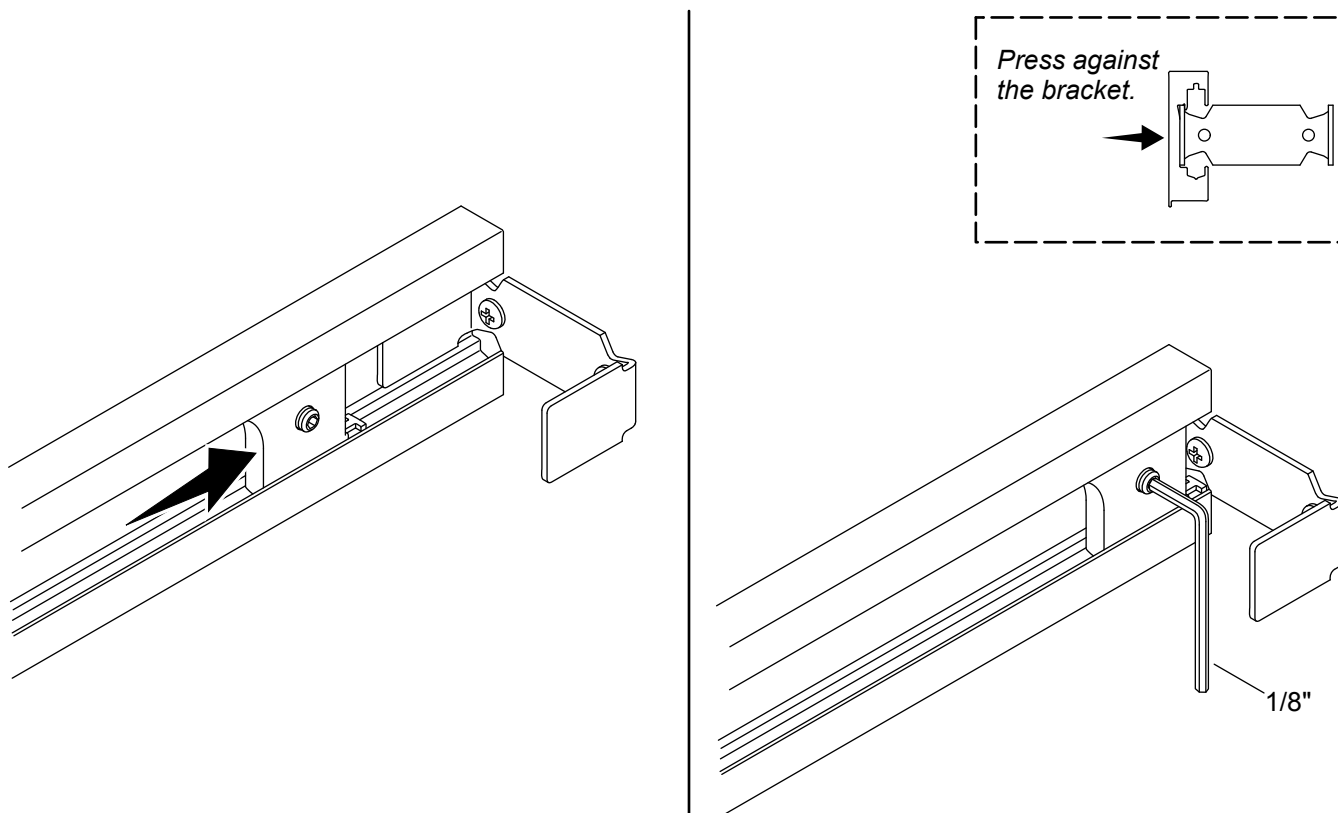
AVIS : Les deux linteaux sont identiques.

- Pour faciliter l'installation du linteau, retirer les montants muraux positionnés temporairement.
- Avec la face plate du linteau tournée vers l'intérieur de la douche, incliner le linteau comme sur l'illustration et l'abaisser sur les deux supports en même temps.

REMARQUE : Le linteau sera légèrement desserré. Il sera sécurisé au cours de la prochaine section.

- Tourner le linteau sur les deux supports en même temps en une position verticale et à plat contre les supports.

14. Fixer le linteau intérieur en place



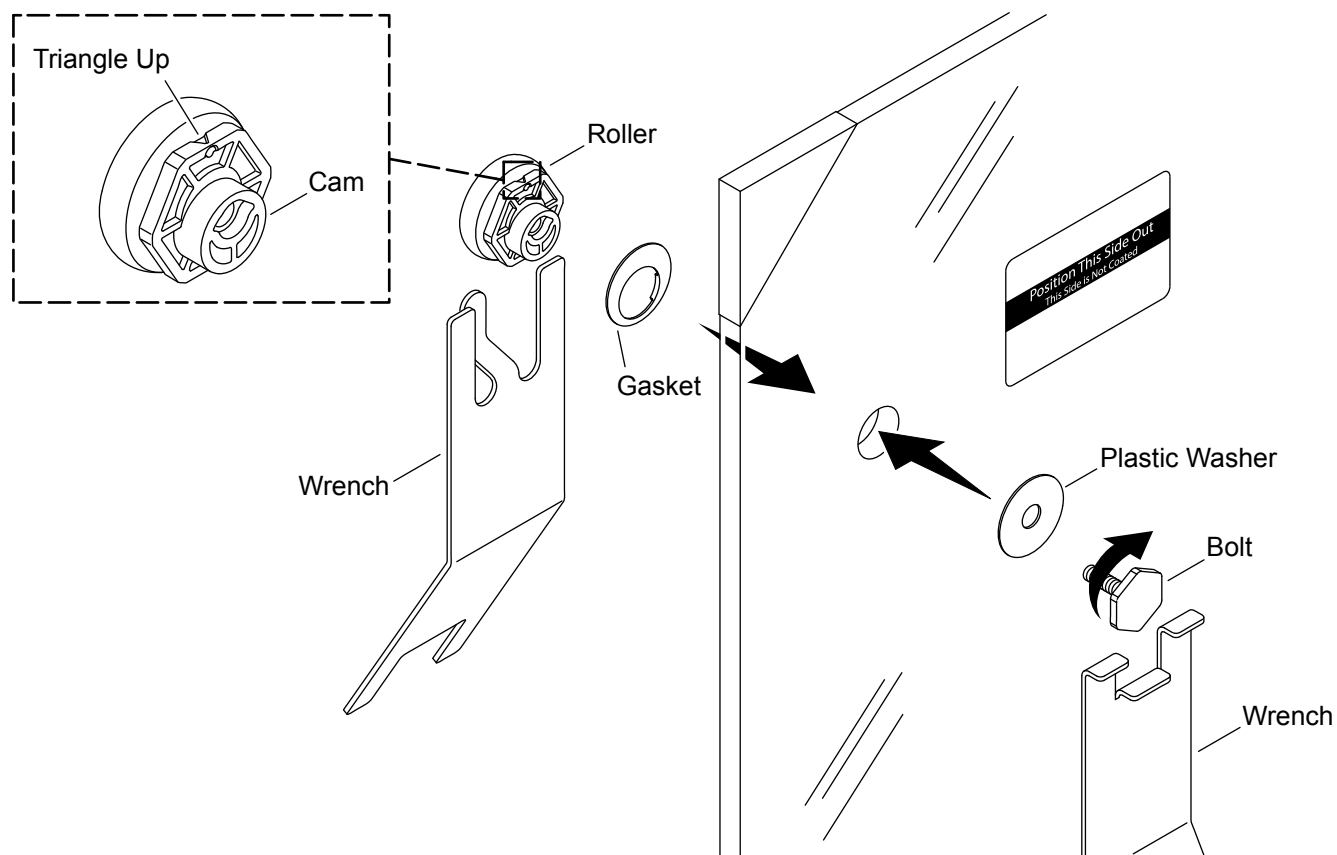
IMPORTANT! Le linteau est fixé sur les supports dans cette étape de manière à ce que le panneau de porte puisse être suspendu.

- Appuyer le linteau contre le support et glisser les connecteurs du linteau entièrement sur le mur à chaque extrémité du linteau.

REMARQUE : Si le connecteur du linteau ne glisse pas par-dessus le support, soit il sera nécessaire de desserrer la vis, soit le linteau n'est pas installé correctement sur le support, soit le support est incliné à l'écart du mur. Effectuer tous les réglages nécessaires.

- Fixer le linteau en serrant chaque vis de connecteur avec une clé hexagonale de 1/8 po.

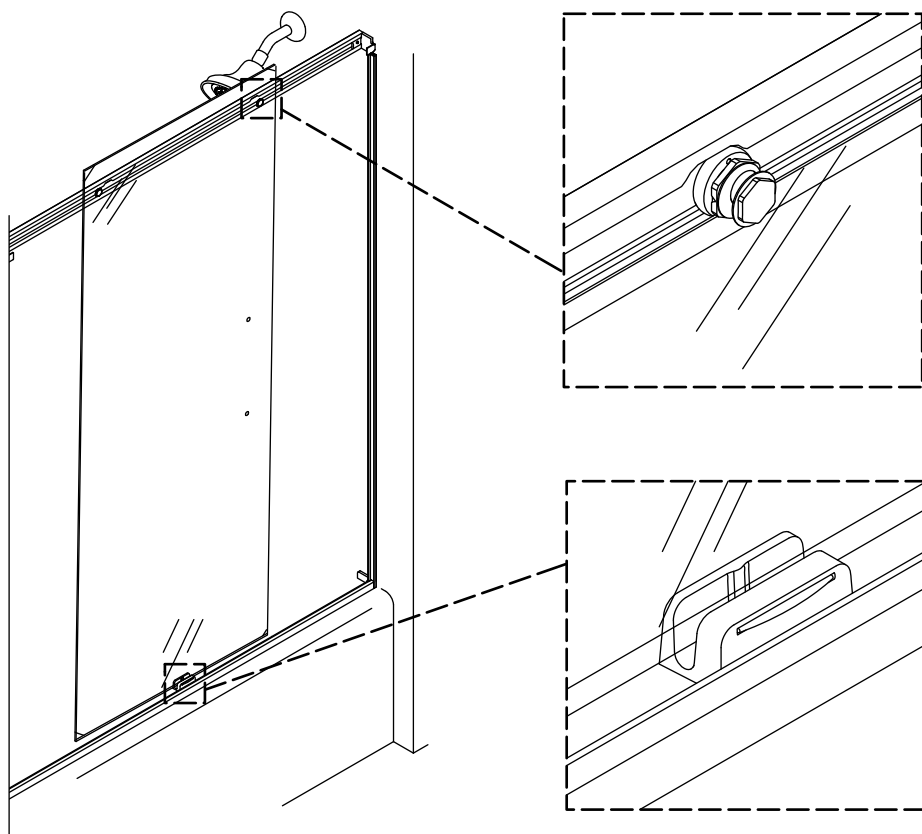
15. Installer les galets du panneau intérieur



AVIS : Une forme de triangle est moulée sur l'un des méplats du galet.

- Orienter le panneau de porte de manière à ce que les trous de la poignée se trouvent du côté pomme de douche et que l'étiquette soit tournée vers l'extérieur de la douche.
- Positionner le galet et le joint statique sur le côté opposé du panneau avec l'étiquette comme sur l'illustration, et insérer la came de galet dans le trou.
- Orienter le galet de manière à ce que le triangle soit pointé vers le haut. Cela met la porte à sa position la plus basse, ce qui facilite les réglages.
- Insérer une rondelle en plastique par-dessus le boulon et serrer le boulon à la main sur le galet.
- Utiliser les deux clés fournies pour solidement serrer le boulon.

16. Installer le panneau intérieur



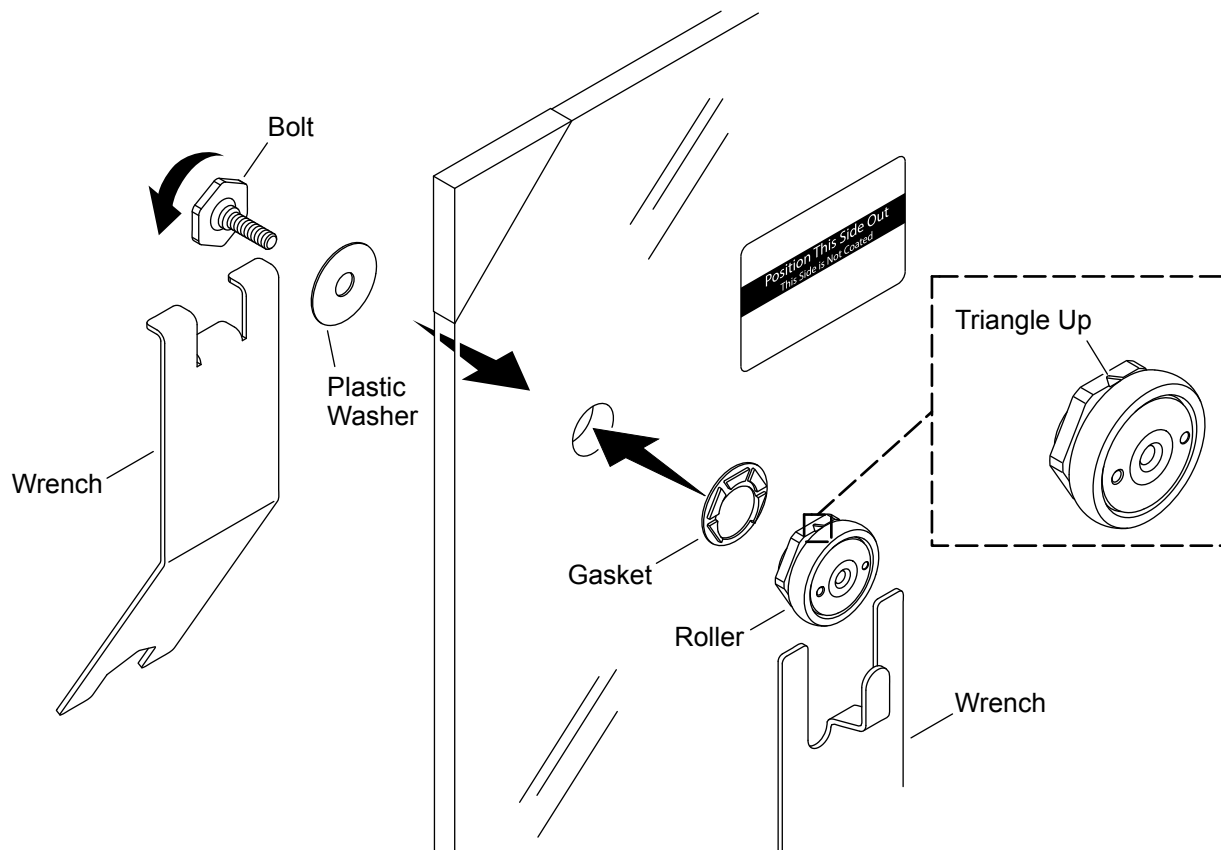
⚠ ATTENTION : Risque d'endommagement du produit. Une fois qu'il est installé, ne pas amener le panneau près du mur parce que les butoirs supérieurs ne sont pas installés à ce point.

REMARQUE : Les protecteurs de coins doivent encore être installés sur le panneau à ce point.

REMARQUE : Les galets sont tournés vers l'intérieur de la douche et l'étiquette fait face à l'extérieur de la douche.

- Avec de l'aide, à partir de l'extérieur de la douche, lever le panneau et positionner le bas dans le canal intérieur dans le guide central.
- Lever le panneau juste suffisamment pour placer un galet dans une encoche sur le linteau. Glisser ensuite le panneau de manière à ce que le deuxième galet soit aligné avec l'autre encoche dans le linteau.
- Vérifier que le bas du panneau de porte se trouve toujours dans le canal intérieur du guide central.

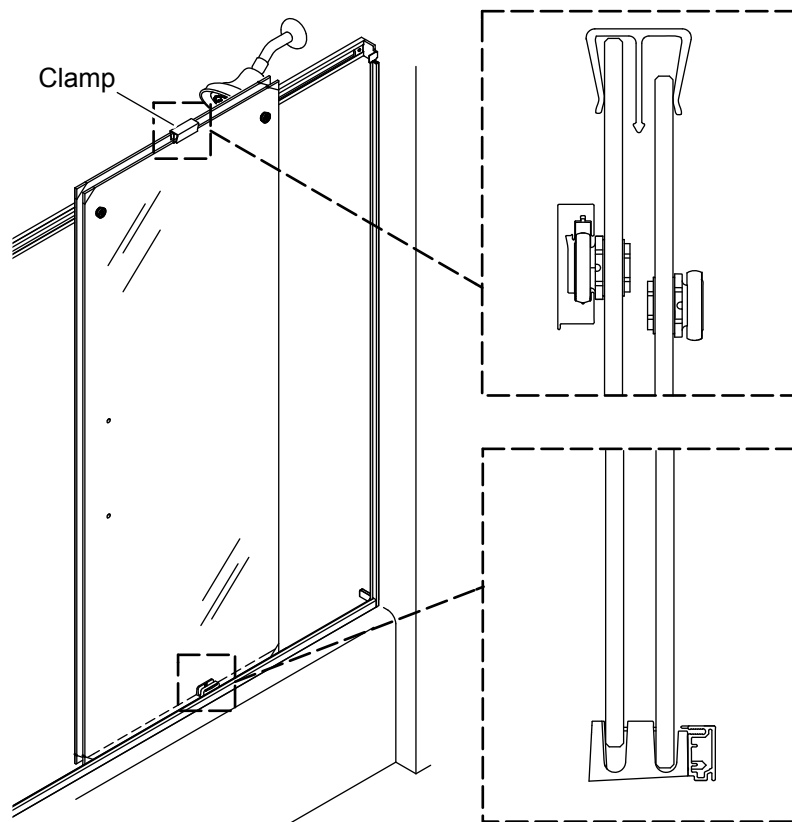
17. Installer les galets du panneau extérieur



AVIS : Une forme de triangle est moulée sur l'un des méplats du galet.

- Orienter le panneau de porte de manière à ce que les trous de la poignée se trouvent sur le côté opposé que celui de la pomme de douche et que l'étiquette soit tournée vers l'extérieur de la douche.
- Positionner le galet et le joint statique sur le même côté du panneau avec l'étiquette comme sur l'illustration, et installer la came de galet dans le trou.
- Orienter le galet de manière à ce que le triangle soit pointé vers le haut. Cela met la porte à sa position la plus basse, ce qui facilite les réglages.
- Serrer solidement le galet sur le verre à la main avec le joint statique et le boulon.
- Insérer une rondelle en plastique par-dessus le boulon et serrer le boulon à la main sur le galet.
- Utiliser les deux clés fournies pour solidement serrer le boulon.

18. Positionner le panneau extérieur



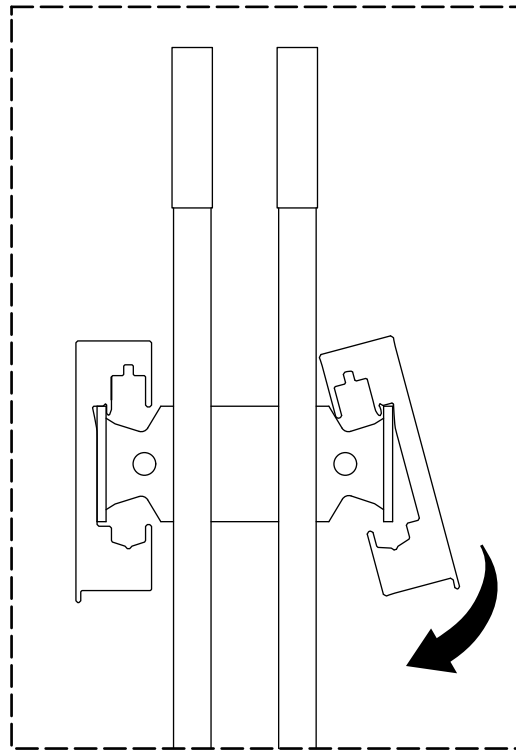
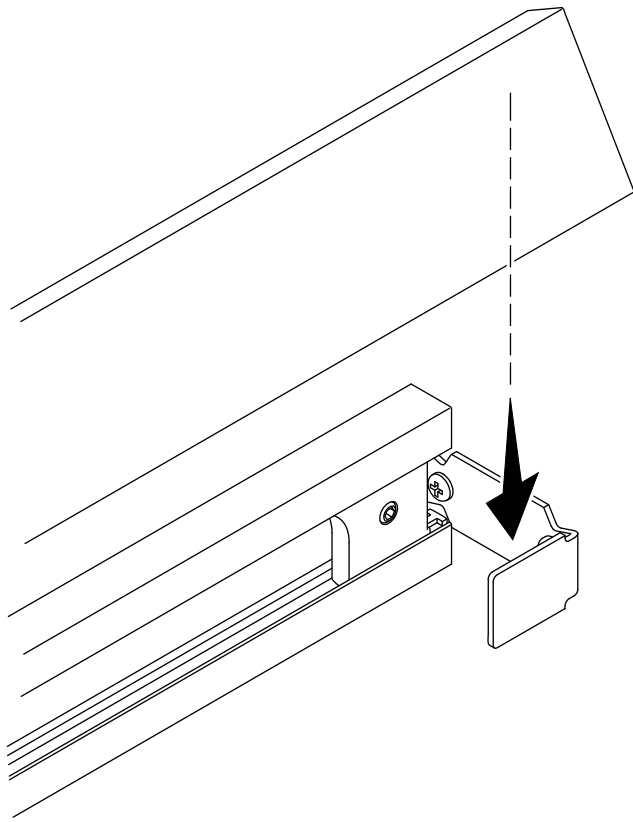
REMARQUE : Les protecteurs de coins doivent encore être installés sur le panneau à ce point.

REMARQUE : Les galets et l'étiquette sont tournés vers l'extérieur de la douche.

REMARQUE : Placer la bride d'installation à un emplacement où elle peut être atteinte avant cette étape, ou la placer sur le dessus du panneau en verre.

- Avec de l'aide, à partir de l'extérieur de la douche, lever le panneau et positionner le bas dans le canal extérieur dans le guide central.
- Pencher le panneau contre le panneau intérieur et placer la bride d'installation par-dessus le dessus des deux panneaux.

19. Positionner le linteau intérieur



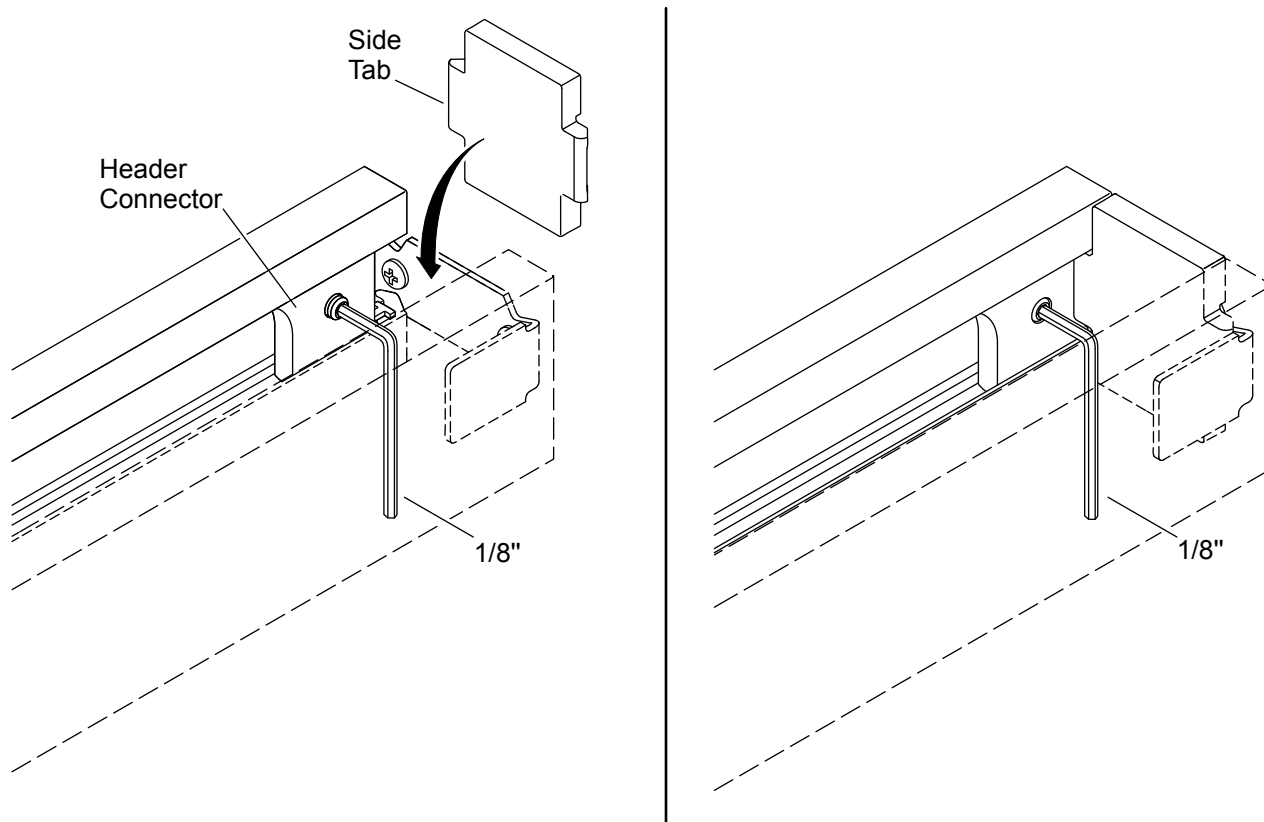
AVIS : Les deux linteaux sont identiques.

- Avec la face plate du linteau tournée vers l'extérieur de la douche, incliner le linteau comme sur l'illustration et l'abaisser sur les deux supports en même temps.

REMARQUE : Le linteau sera légèrement desserré. Il sera sécurisé au cours de la prochaine section.

- Tourner le linteau sur les deux supports en même temps en une position verticale et à plat contre les supports.

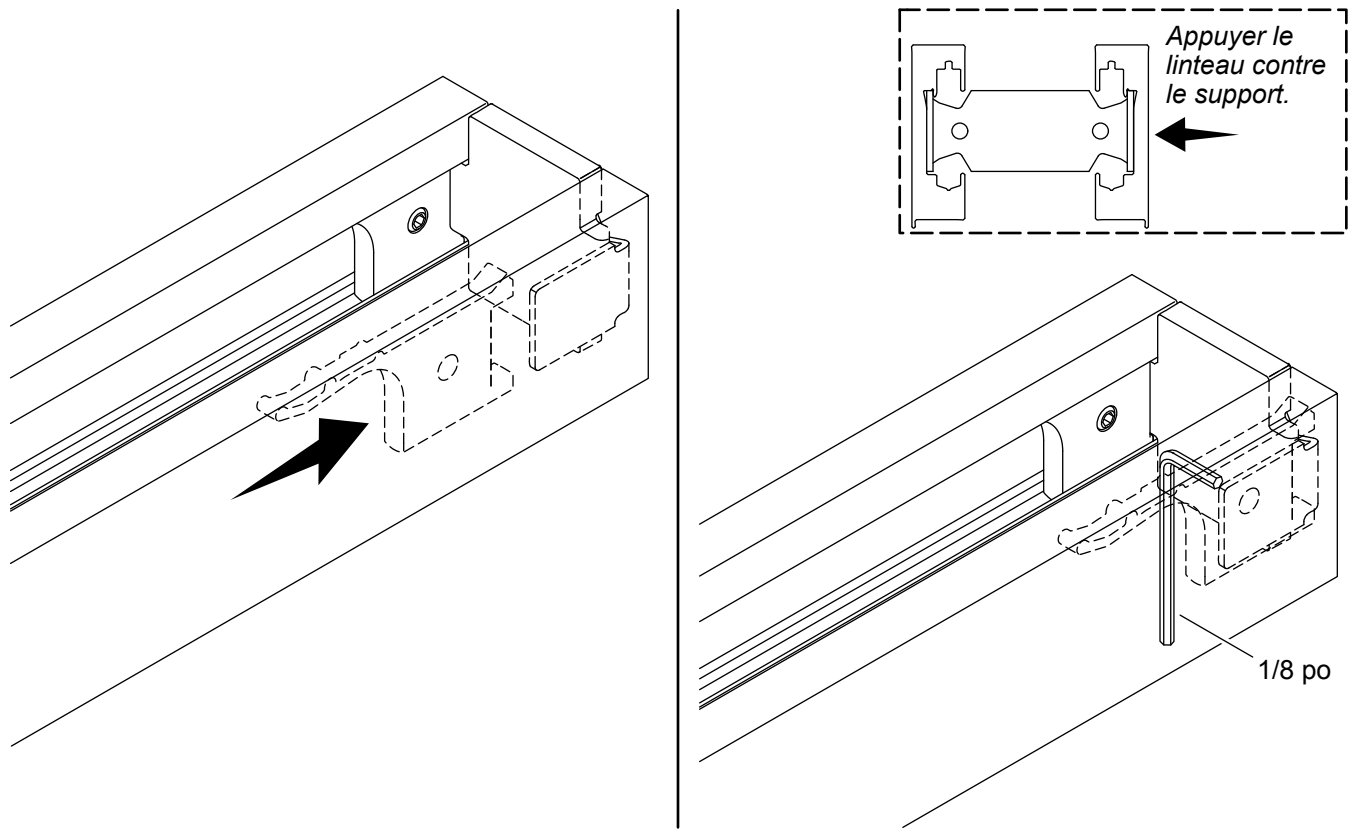
20. Installer les butoirs supérieurs



REMARQUE : Pour faciliter l'installation des butoirs, les connecteurs du linteau devront peut-être être desserrés et éloignés temporairement du support.

- Enfoncer la patte latérale du butoir dans l'extrémité de l'un des linteaux à l'arrière du connecteur du linteau. Si la patte ne s'adapte pas, utiliser une clé hexagonale de 1/8 po pour desserrer le connecteur du linteau.
- Tourner le butoir contre le support et enfoncer la patte opposée dans le linteau opposé.
- Répéter pour le deuxième butoir sur le côté opposé.
- S'assurer que les connecteurs du linteau sont bien à ras contre les butoirs. Serrer la vis d'arrêt pour fixer en place.

21. Fixer le linteau extérieur en place



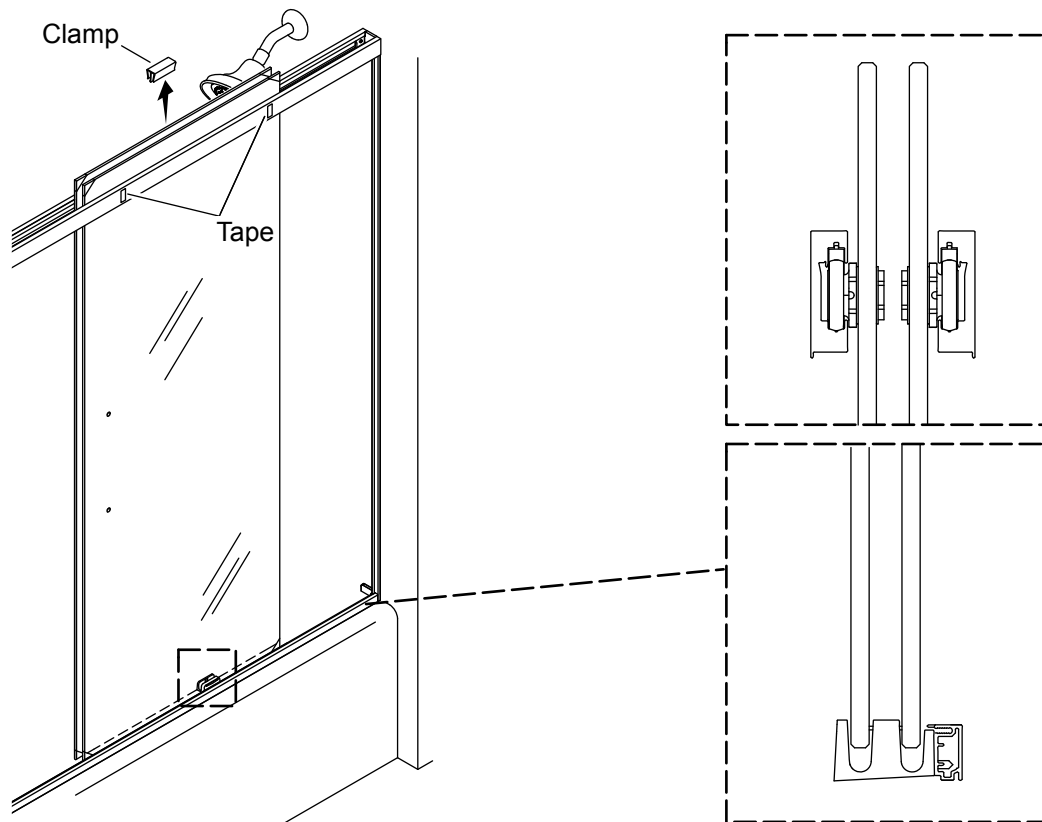
IMPORTANT! Le linteau est fixé sur les supports dans cette étape de manière à ce que le panneau de porte puisse être suspendu.

- Appuyer le linteau contre le support et glisser les connecteurs du linteau entièrement sur le mur à chaque extrémité du linteau.

REMARQUE : Si le connecteur du linteau ne glisse pas par-dessus le support, soit il sera nécessaire de desserrer la vis, soit le linteau n'est pas installé correctement sur le support, soit le support est incliné à l'écart du mur. Effectuer tous les réglages nécessaires.

- Fixer le linteau en serrant chaque vis de connecteur avec une clé hexagonale de 1/8 po.

22. Installer le panneau extérieur

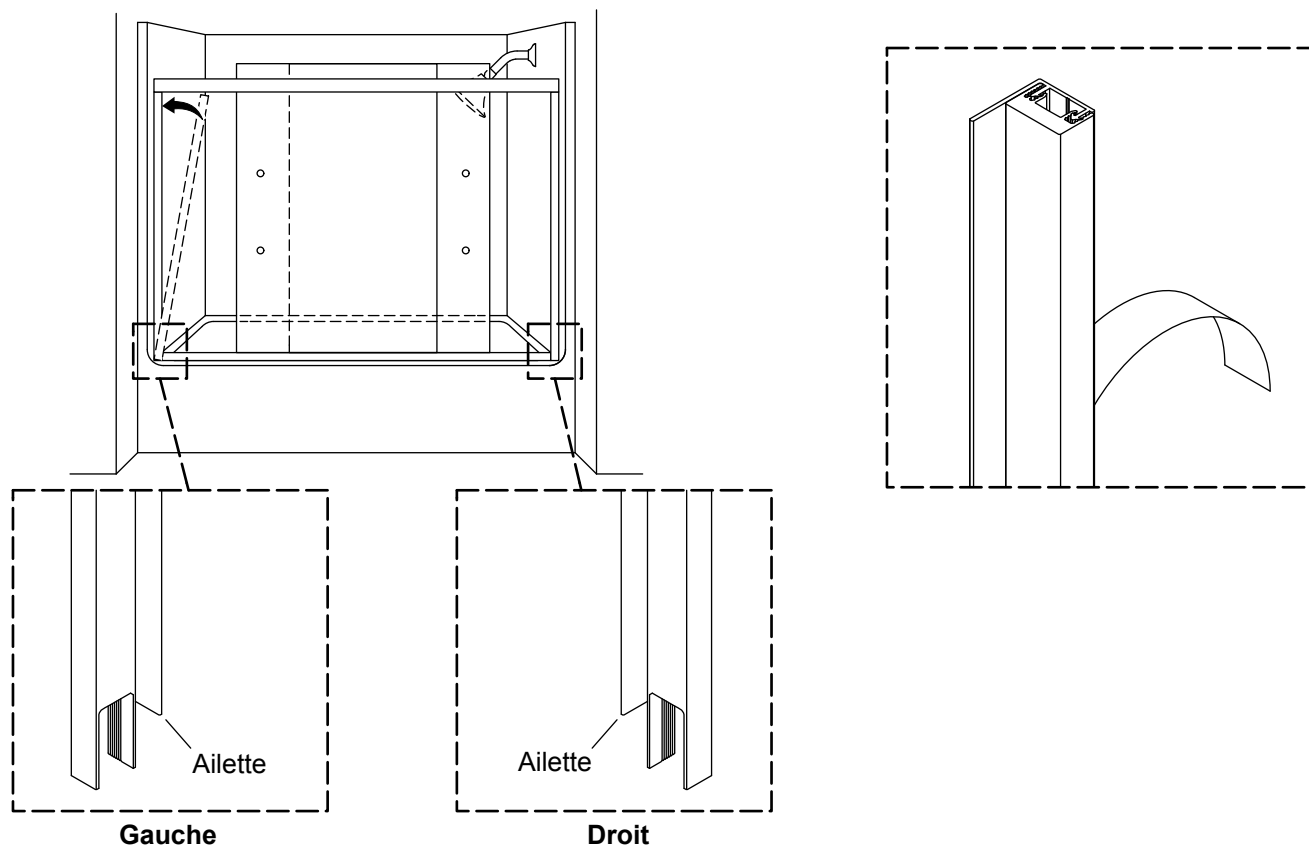


REMARQUE : Les galets et l'étiquette sont tournés vers l'extérieur de la douche.

- Noter le ruban indiquant les emplacements des encoches dans la section « Mesurer et couper les linteaux ».
- Retirer la bride des dessus des panneaux.
- Avec de l'aide, à partir de l'extérieur de la douche, lever le panneau extérieur, aligner un galet avec l'encoche dans le linteau extérieur, et mettre le galet sur le rail de galets.
- Lever le panneau juste suffisamment pour placer un galet dans une encoche sur le linteau. Glisser ensuite le panneau de manière à ce que le deuxième galet soit aligné avec l'autre encoche dans le linteau.
- Vérifier que le bas du panneau de porte se trouve toujours dans le canal du guide central.
- Retirer les protecteurs de coins des panneaux.
- S'assurer que les deux panneaux se déplacent avec souplesse de gauche à droite.

23. Installer les montants de mur

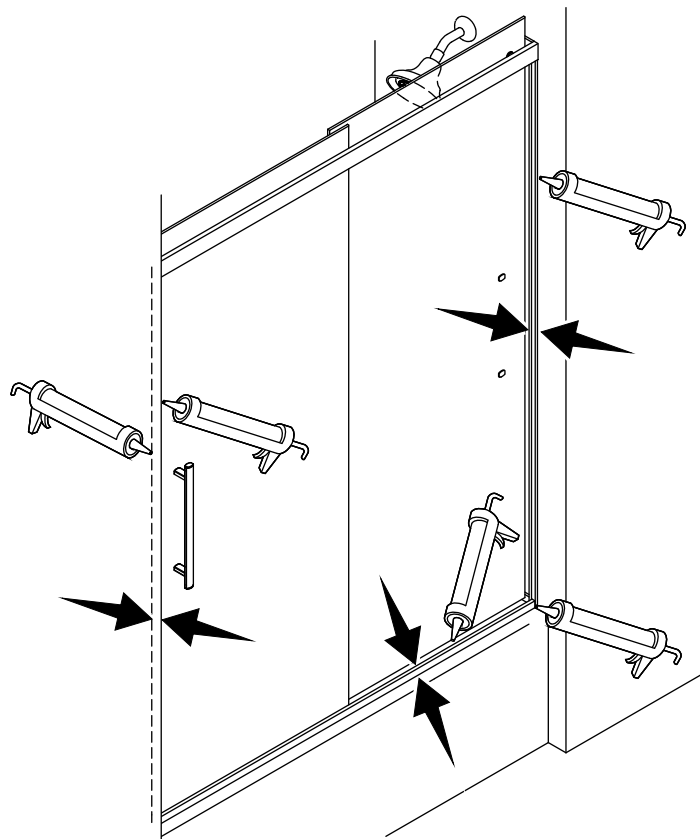
F
R



REMARQUE : Les ailettes se trouvant sur les montants muraux sont tournées vers l'intérieur de la douche.

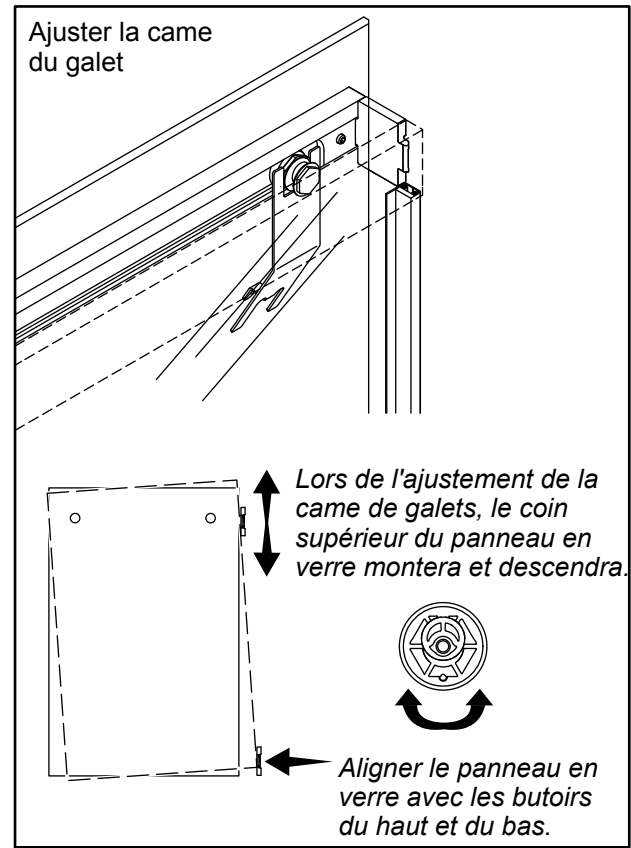
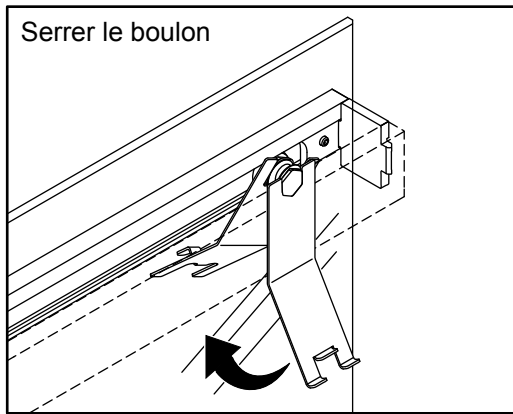
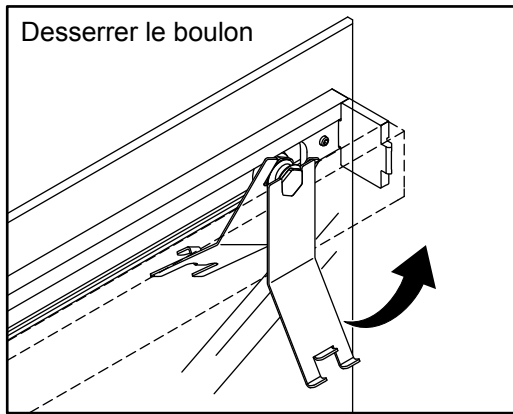
- Nettoyer rigoureusement les murs de la douche à l'arrière des montants de mur en utilisant les tampons à l'alcool fournis avant de continuer.
- Retirer le film de l'adhésif sur l'arrière du montant de mur.
- Aligner avec précaution le bas du montant de mur par-dessus le seuil, puis incliner vers le haut, en direction du mur. Le dessus du montant de mur doit s'aligner avec le linteau.
- Appuyer fermement pour coller l'adhésif sur le mur.
- Répéter pour le deuxième montant mural.

24. Terminer l'installation



- Installer les poignées en suivant les instructions fournies avec celles-ci.
- Appliquer du mastic à la silicone à 100 % le long des montants muraux à l'intérieur et à l'extérieur de la douche/de la baignoire.
- Appliquer du mastic d'étanchéité à la silicone à 100 % le long du bord intérieur et du bord extérieur du seuil, autour du guide central, et autour des butoirs inférieurs de gauche et de droite.

Ajustement et entretien des panneaux



AVIS : Les panneaux pourraient nécessiter un ajustement pour assurer qu'ils touchent les butoirs du haut et du bas dans la position fermée appropriée. Le panneau intérieur doit se fermer sur le côté pomme de douche, et le panneau extérieur doit se fermer sur le côté opposé. Un ajustement est effectué le plus facilement lorsque le panneau est fermé contre le mur de douche correct.

- Pour ajuster les panneaux, desserrer le boulon des galets avec la clé fournie. **Ne pas desserrer excessivement!**
- Ajuster l'alignement de chaque extrémité du panneau en tournant le galet avec les clés fournies.
- Continuer jusqu'à ce que la porte fonctionne avec souplesse, s'aligne uniformément avec les murs de la douche, et que les panneaux de porte touchent les butoirs du haut et du bas en même temps.
- Lorsque terminé, bien serrer les quatre boulons des galets.

Entretien

- Vérifier le serrage des galets tous les ans.
- Conserver les clés fournies pour un ajustement ou un resserrage ultérieurs.

Dépannage

Ce guide de dépannage est destiné à fournir une aide d'ordre général uniquement. Pour des problèmes ou questions concernant l'entretien et l'installation, composer le 1-800-4KOHLER.

Symptômes	Cause probable	Action recommandée
1. La porte fait du bruit lorsqu'elle est ouverte ou fermée.	<p>A. Le support pourrait être installé trop loin hors du niveau.</p> <p>B. Les panneaux de porte sont placés trop bas, et raclent la base du guide central ou la base de la douche/le rebord de la baignoire.</p> <p>C. Les galets sont desserrés.</p> <p>D. Les galets sont usés et bruyants.</p>	<p>A. Retirer les panneaux et le linteau, et égaliser le support. Si le support ne peut pas être égalisé, appeler le service à la clientèle.</p> <p>B. Ajuster les galets pour élever les panneaux de porte. Se reporter à la section « Ajustement et entretien de panneaux ».</p> <p>C. Serrer les boulons des galets avec la clé fournie.</p> <p>D. Remplacer les galets.</p>
2. Il est difficile de déplacer la porte ou elle ne s'ouvre pas.	<p>A. Les panneaux de porte sont placés trop bas, et raclent la base du guide central ou la base de la douche/le rebord de la baignoire.</p> <p>B. Le joint d'étanchéité du seuil n'est pas entièrement assis, ce qui fait frotter le panneau de porte.</p> <p>C. Les linteaux ne sont pas sécurisés sur les supports.</p> <p>D. Les galets sont desserrés.</p>	<p>A. Ajuster les galets pour élever les panneaux de porte. Se reporter à la section « Ajustement et entretien de panneaux ».</p> <p>B. Enfoncer le joint d'étanchéité entièrement dans le seuil.</p> <p>C. Vérifier que les connecteurs des linteaux sont positionnés par-dessus les supports et sécurisés en place avec les vis d'arrêt.</p> <p>D. Serrer les boulons des galets avec la clé fournie.</p>
3. Les panneaux de la porte peuvent basculer librement vers l'intérieur ou l'extérieur de la douche.	<p>A. Le guide central n'est pas installé.</p> <p>B. Le guide central n'est pas installé dans l'emplacement correct.</p> <p>C. Les panneaux de porte ne sont pas installés correctement sur le guide central.</p> <p>D. Les panneaux de porte sont trop élevés.</p>	<p>A. Installer le guide central selon les instructions.</p> <p>B. Installer le guide central sur le centre du seuil.</p> <p>C. Les panneaux en verre doivent être positionnés dans les canaux du guide central.</p> <p>D. Ajuster les galets pour abaisser les panneaux. Se reporter à la section « Ajustement et entretien de panneaux ».</p>

Symptômes	Cause probable	Action recommandée
<p>4. Le guide central est desserré.</p>	<p>A. Le guide central n'est pas installé par-dessus l'agrafe.</p> <p>B. L'agrafe du guide central n'est pas installée.</p> <p>C. La vis qui connecte l'agrafe du guide central est desserrée.</p> <p>D. Le film sur l'adhésif sur le bas du guide central n'a pas été retiré.</p>	<p>A. Retirer le linteau extérieur et les deux panneaux de porte. Réinstaller le guide central par-dessus l'agrafe. Réinstaller les panneaux et le linteau extérieur.</p> <p>B. Retirer le linteau extérieur et les deux panneaux de porte. Installer l'agrafe, puis installer le guide central par-dessus l'agrafe. Réinstaller les panneaux et le linteau extérieur.</p> <p>C. Retirer le linteau extérieur et les deux panneaux de porte. Serrer la vis de l'agrafe.. Si la vis ne se serre pas, percer un nouveau trou à proximité du trou d'origine. Enfoncez le guide central par-dessus l'agrafe. Réinstaller les panneaux et le linteau extérieur.</p> <p>D. Retirer le linteau extérieur et les deux panneaux de porte. Lever le guide central hors de l'agrafe, retirer le fil sur le ruban et réinstaller le guide central par-dessus l'agrafe. Réinstaller les panneaux et le linteau extérieur.</p>
<p>5. Fuites d'eau.</p>	<p>A. Fuites d'eau sous le seuil.</p> <p>B. Fuites d'eau sous un panneau de porte.</p> <p>C. Fuites d'eau sous un panneau de porte.</p> <p>D. Fuites d'eau entre les panneaux de porte.</p> <p>E. Fuites d'eau autour du montant de mur.</p> <p>F. Fuites d'eau dans le bas du montant de mur et par-dessus le seuil.</p>	<p>A. Appliquer du mastic d'étanchéité à la silicone à 100% sur le bord extérieur du seuil. Voir les instructions du fabricant du mastic d'étanchéité à la silicone avant d'utiliser la douche.</p> <p>B. Ajuster les galets pour abaisser les panneaux de porte et les rapprocher du rebord de la baignoire/base de douche. Se reporter à la section « Ajustement et entretien de panneaux ».</p> <p>C. Vérifier la hauteur du linteau. Le linteau doit être assis sur le dessus des montants de mur.</p> <p>D. S'assurer que le panneau intérieur soit le panneau le plus proche de la pomme de douche lorsqu'on prend une douche.</p> <p>E. Ajuster le panneau de porte de manière à ce que le panneau touche les butoirs du haut et du bas. Essayer de ne pas projeter de l'eau directement sur les panneaux de porte.</p> <p>F. Si un écart est présent entre le bas du joint d'étanchéité du montant de mur et le haut du seuil, siliconer cette zone.</p>
<p>6. Le montant de mur ne peut pas être installé sous le linteau.</p>	<p>A. Le support est installé trop bas.</p>	<p>A. Ajuster le support plus haut en desserrant les vis et en poussant vers le haut sur le support.</p>

Symptômes	Cause probable	Action recommandée
<p>7. Le montant de mur ne reste pas en place.</p>	<p>A. Le montant de mur n'est pas fixé en place avec du mastic d'étanchéité à la silicone à 100%.</p> <p>B. Le mur n'est pas nettoyé de manière adéquate.</p> <p>C. Le mur a une surface/ texture rugueuse.</p>	<p>A. Appliquer du mastic d'étanchéité à la silicone à 100% le long de la surface intérieure et extérieure du montant de mur. Laisser la silicone sécher pendant 24 heures ou tel qu'indiqué par le fabricant de la silicone.</p> <p>B. S'adresser au centre de services à la clientèle pour obtenir de nouvelles pièces et une autre méthode d'installation du montant de mur et du joint d'étanchéité. Cela exigera que le montant de mur et le joint d'étanchéité soient retirés avec précaution, sinon des pièces de rechange seront nécessaires.</p> <p>C. S'adresser au centre de services à la clientèle pour obtenir de nouvelles pièces et une autre méthode d'installation du montant de mur et du joint d'étanchéité. Cela exigera que le montant de mur et le joint d'étanchéité soient retirés avec précaution, sinon des pièces de rechange seront nécessaires.</p>

Instrucciones de instalación

Puerta corrediza de ducha

ES

Gracias por elegir productos KOHLER

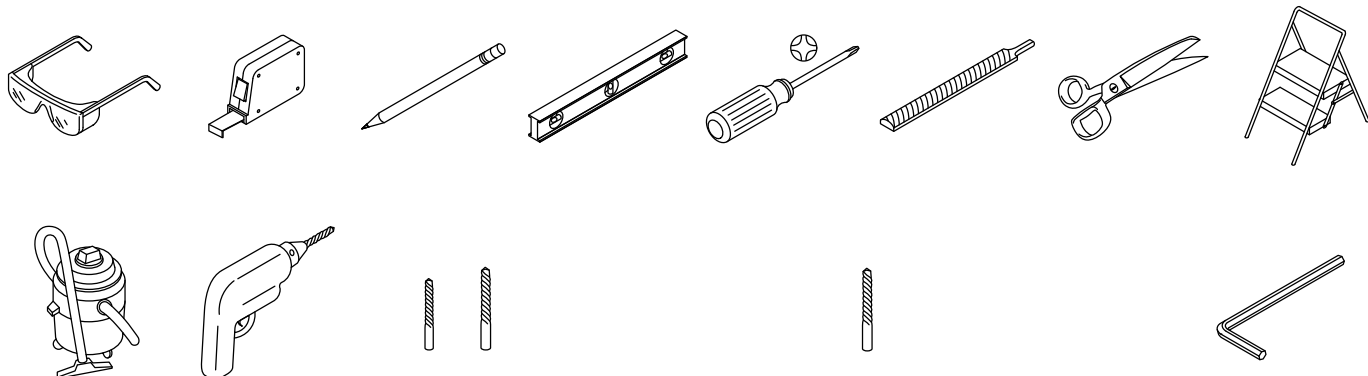
¿Necesita ayuda? Comuníquese con nuestro Centro de Atención al Cliente.

- EE. UU./Canadá: 1-800-4KOHLER (1-800-456-4537) México: 001-800-456-4537
- Piezas de repuesto: kohler.com/serviceparts
- Cuidado y limpieza: kohler.com/clean
- Patentes: kohlercompany.com/patents

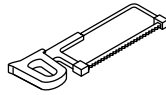
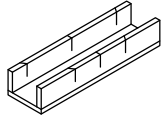
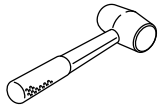
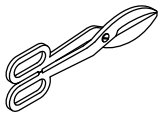
Garantía

A este producto lo cubre la garantía limitada de diez años para puertas de bañeras y de duchas de **KOHLER®**, que puede consultarse en kohler.com/warranty. Comuníquese con el Centro de Atención al Cliente para obtener una copia impresa de los términos de la garantía.

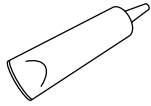
Herramientas y materiales



1/8 pulg, 1/4 pulg Broca para mampostería de 1/4 pulg para azulejo 3/32 pulg, 1/8 pulg










Tijeras para chapa Mazo de goma Caja de ingletes Hoja de 32 dientes/pulg Cinta de enmascarar



Sellador 100 % de silicona Guantes de protección

Antes de comenzar

- ES**
-  **AVISO: Riesgo de lesiones graves.** Daños anteriores a la instalación pueden ocasionar que el vidrio se quiebre en pedazos. Antes de hacer la instalación, revise el vidrio y todas las piezas para ver si han sufrido daños.
 -  **AVISO: Riesgo de lesiones graves.** Si la instalación se hace de manera incorrecta, el vidrio podría quebrarse en pedazos. Siga todas las instrucciones de instalación.
 -  **AVISO: Riesgo de lesiones graves.** No intente recortar el vidrio templado. El vidrio templado se quiebra en pedazos al tratar de recortarlo.
 -  **AVISO: Riesgo de sufrir lesiones graves.** Los paneles de puerta de la ducha podrían quebrarse en pedazos. Revise con regularidad el vidrio y todas las piezas para ver si han sufrido daños, si algo falta o si hay piezas sueltas.
 -  **AVISO: Riesgo de lesiones graves.** Siempre use anteojos de seguridad al cortar y al taladrar.
 -  **PRECAUCIÓN: Riesgo de sufrir lesiones personales.** El vidrio templado no debe hacer contacto con superficies duras, ya que podría quebrarse en pedazos. No toque el borde de un panel de vidrio templado con herramientas ni con ningún otro objeto duro.
 -  **PRECAUCIÓN: Riesgo de sufrir lesiones personales.** El vidrio templado puede estrellarse. Use mangas largas y ropa de protección para evitar sufrir lesiones en caso de que el vidrio se estrelle.

¡IMPORTANTE! Deje este manual para el usuario final. Lea todas las instrucciones antes de instalar o usar este producto.

¡IMPORTANTE! Esta puerta está diseñada para paredes que estén hasta 3/8" (10 mm) de estar a plomo. Verifique que el área a la que se vaya a fijar la puerta esté a menos de 3/8" (10 mm) de estar a plomo. Es posible que la puerta no funcione correctamente si la pared está fuera de plomo más de 3/8" (10 mm).

¡IMPORTANTE! No retire los protectores esquineros de los paneles de puerta, mientras no se hayan instalado estos paneles.

Cubra el desagüe con cinta de enmascarar para evitar perder piezas pequeñas.

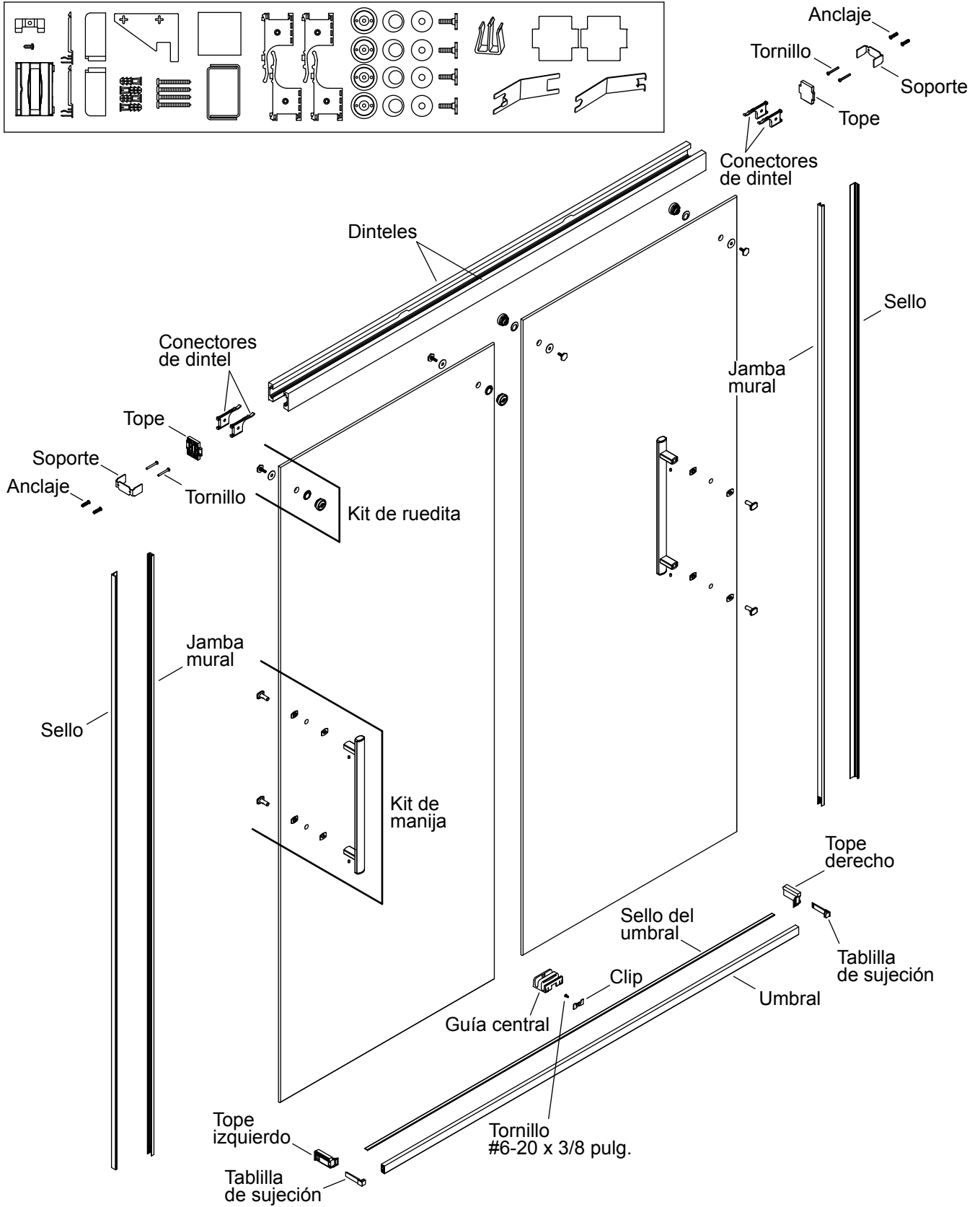
Identifique todas las piezas antes de la instalación. Revise que no estén dañadas.

Siga las instrucciones de aplicación y de tiempo de secado del fabricante del sellador de silicona.

Se requieren 2 personas para hacer esta instalación.

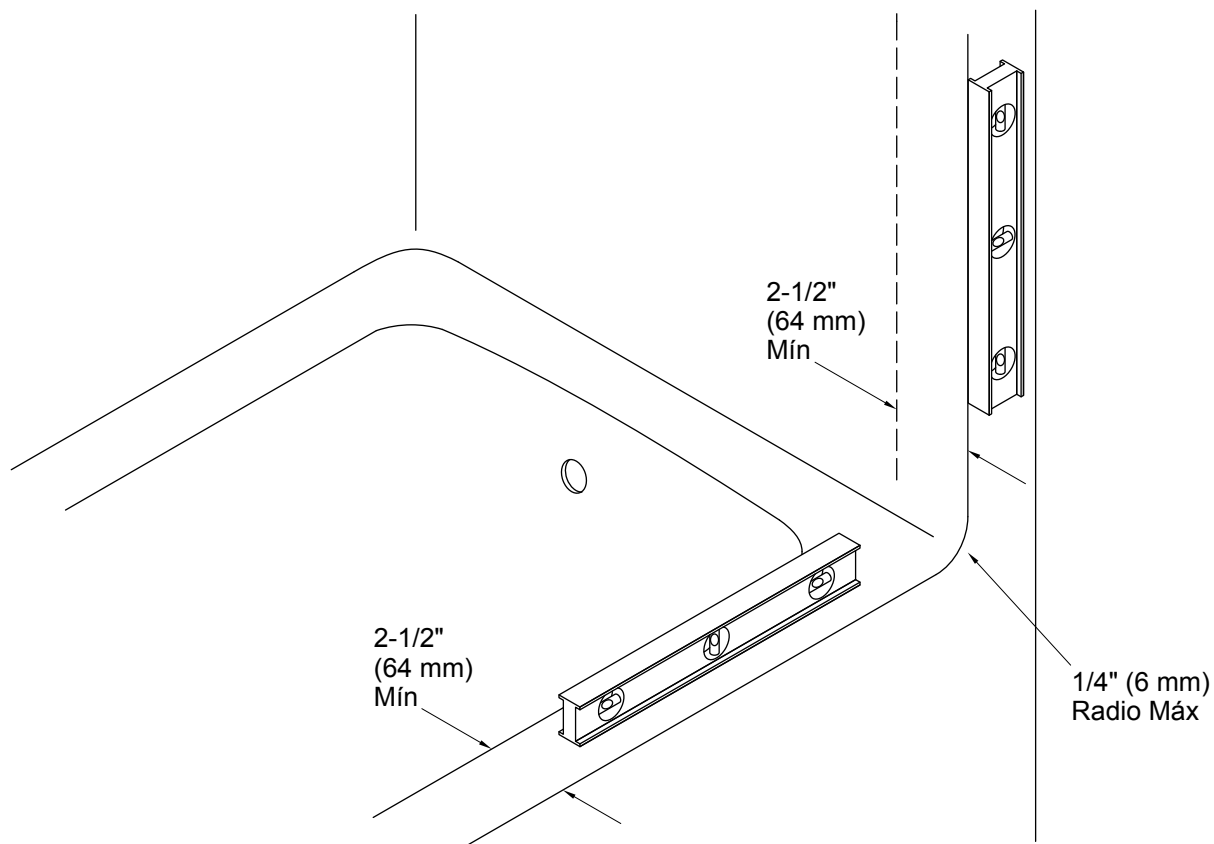
Para ver esta instalación en Internet, visite kohler.com y busque el número de su producto.

Identificación de piezas



E
S

1. Confirme la compatibilidad de los rebordes y las paredes



¡IMPORTANTE! Para asegurar la alineación y el funcionamiento correctos, confirme que la base de la ducha o el reborde de la bañera y las paredes cumpla los siguientes requisitos. No instale la puerta si no se cumplen estos requisitos.

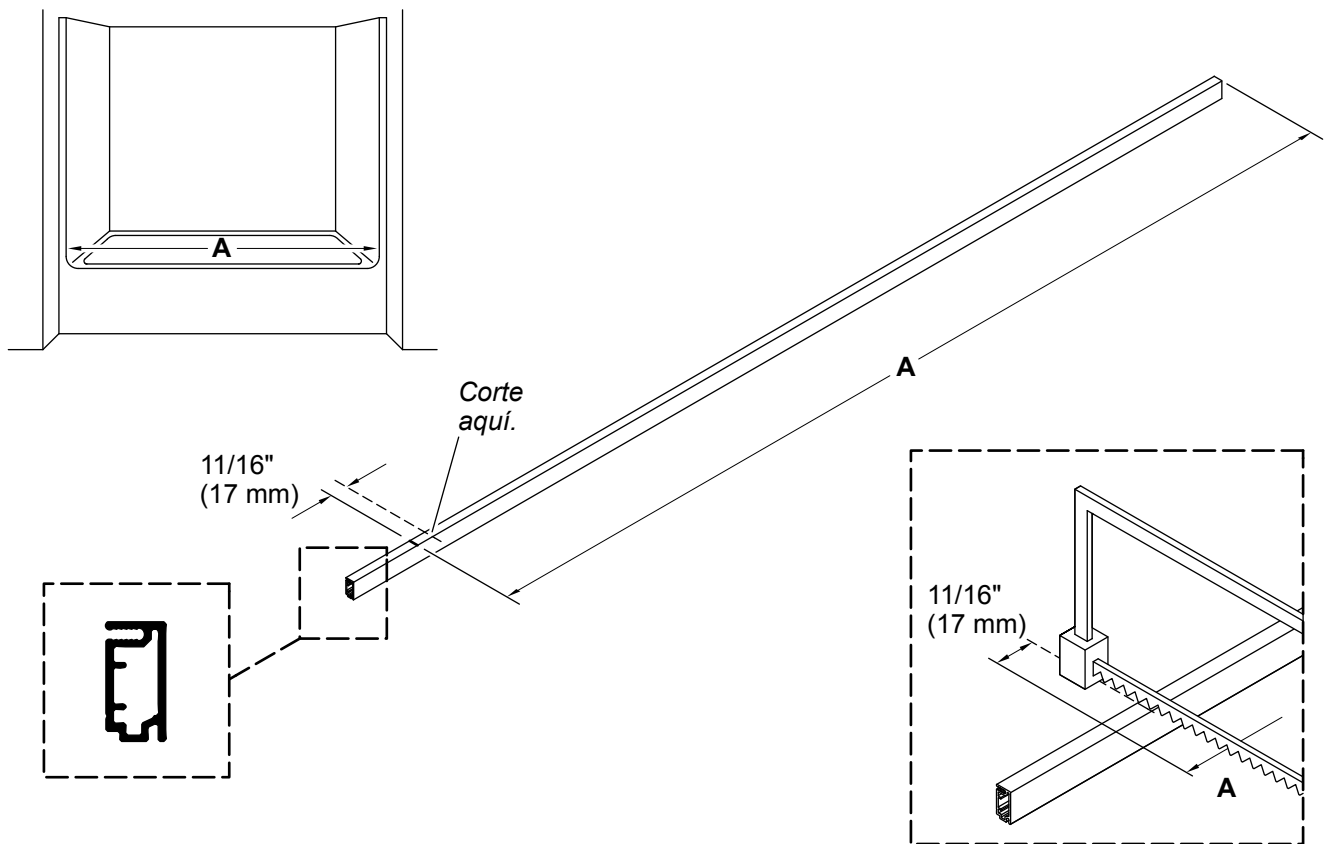
Debe haber por lo menos $2\frac{1}{2}$ " (64 mm) de superficie plana en la base de la ducha o en el reborde de la bañera y en las paredes.

Las paredes deben estar a menos de $\frac{3}{8}$ " (10 mm) de estar a plomo.

La base de la ducha o el reborde de bañera deben estar nivelados entre las paredes.

El radio de la base de la ducha o del reborde de la bañera donde hace contacto con la pared debe ser de $\frac{1}{4}$ " (6 mm) o menos.

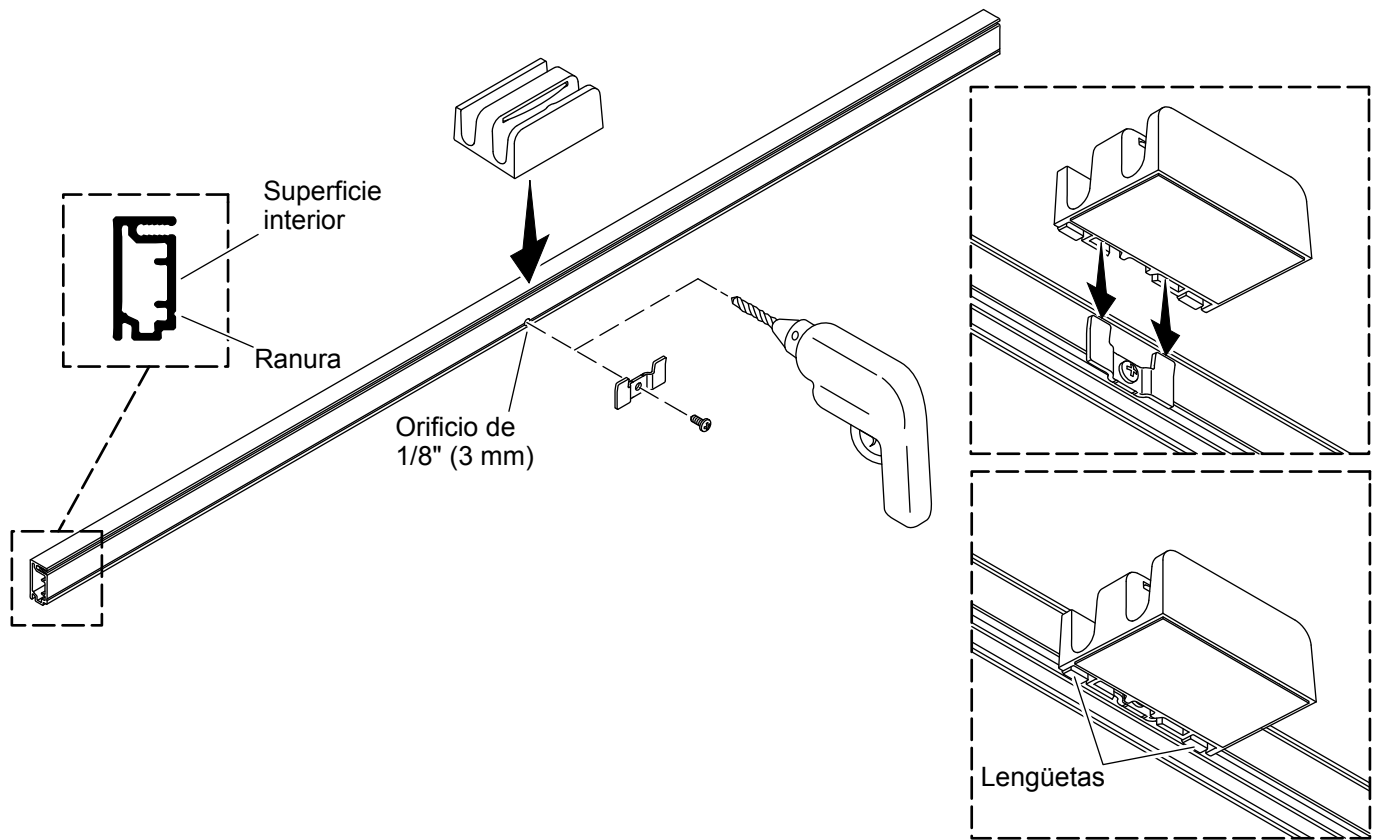
2. Mida y corte el umbral



⚠ AVISO: Riesgo de lesiones graves. Siempre use anteojos de seguridad al cortar y al taladrar.

- Proteja la superficie de la ducha con una lona.
- Mida la distancia "A" entre las paredes de la ducha, y marque la distancia en el umbral.
- Mida 1/2" (13 mm) a partir de la marca "A", y ahí haga una segunda marca en el umbral, como se indica.
- Recorte el umbral en la segunda marca, y lime los bordes ásperos.

3. Instale la guía central

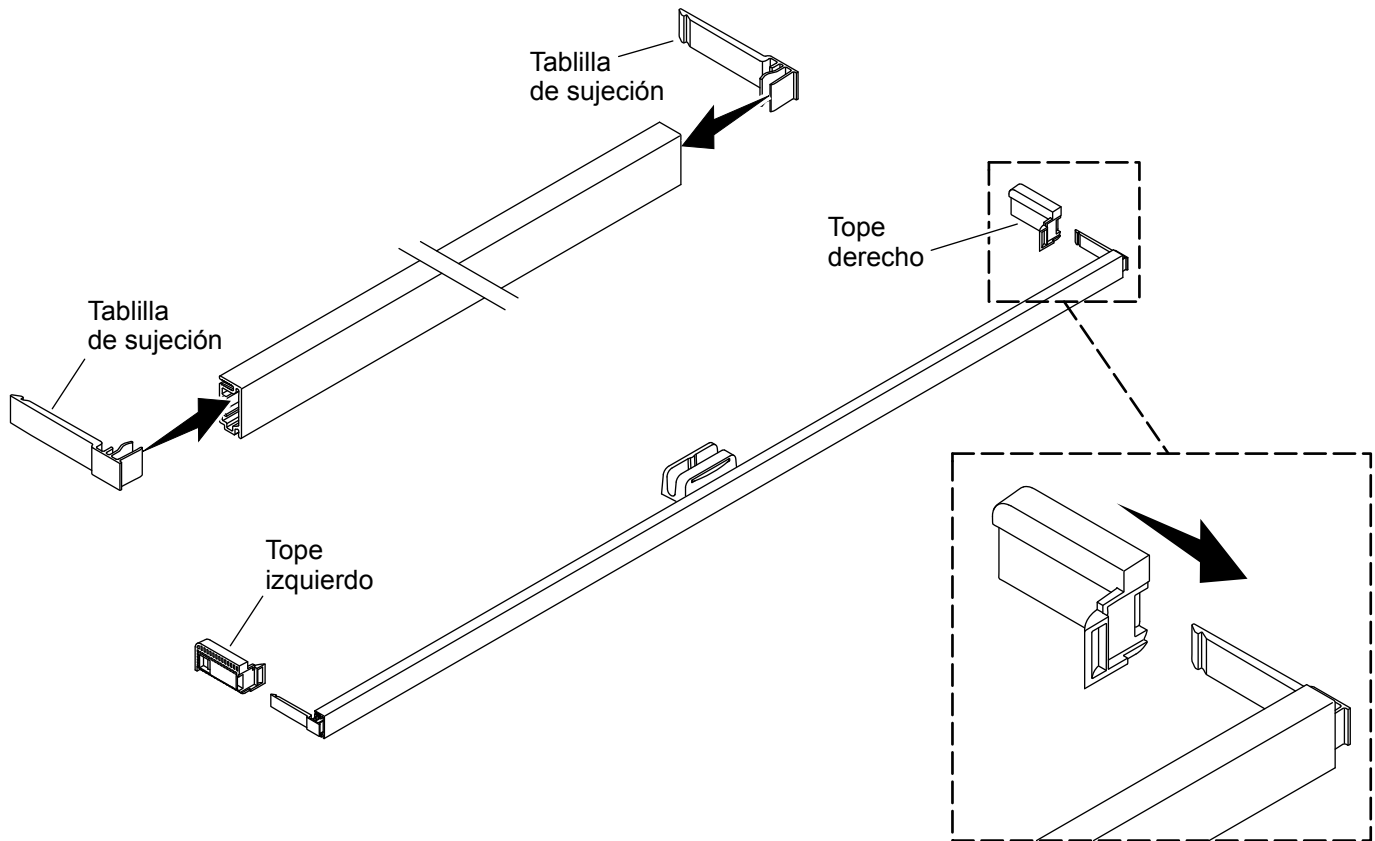


- Mida el centro del umbral. Marque la línea central cerca de la ranura en la superficie interior del umbral.

¡IMPORTANTE! Solo taladre a través de la superficie interior.

- Taladre un orificio de 1/8 pulg en la línea central en la ranura de la superficie interior del umbral.
- Instale el clip de la guía central al umbral con el tornillo #6 x 3/8 pulg., que se incluye.
- Oprima la guía central sobre el clip. Asegúrese de que la guía central esté completamente instalada con las lengüetas dobladas bajo la parte inferior del umbral.

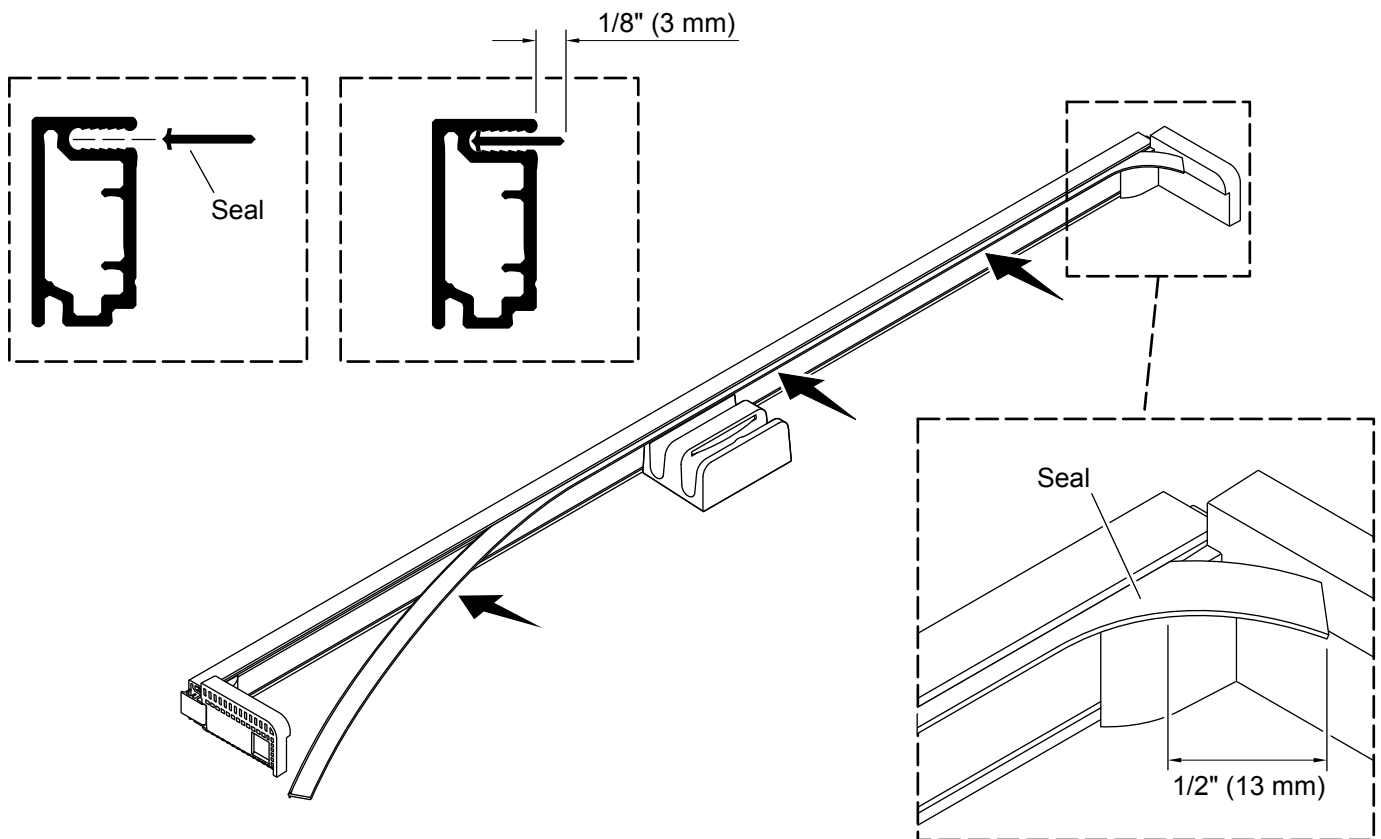
4. Instale los topes al umbral



NOTA: Hay un parachoques para el lado izquierdo y otro para el derecho. Las tablillas de sujeción son idénticas.

- Instale una tablilla de sujeción en cada extremo del umbral, de forma que queden apuntando en la misma dirección que la guía central.
- Oprima los parachoques izquierdo y derecho contra las tablillas de sujeción, como se muestra.

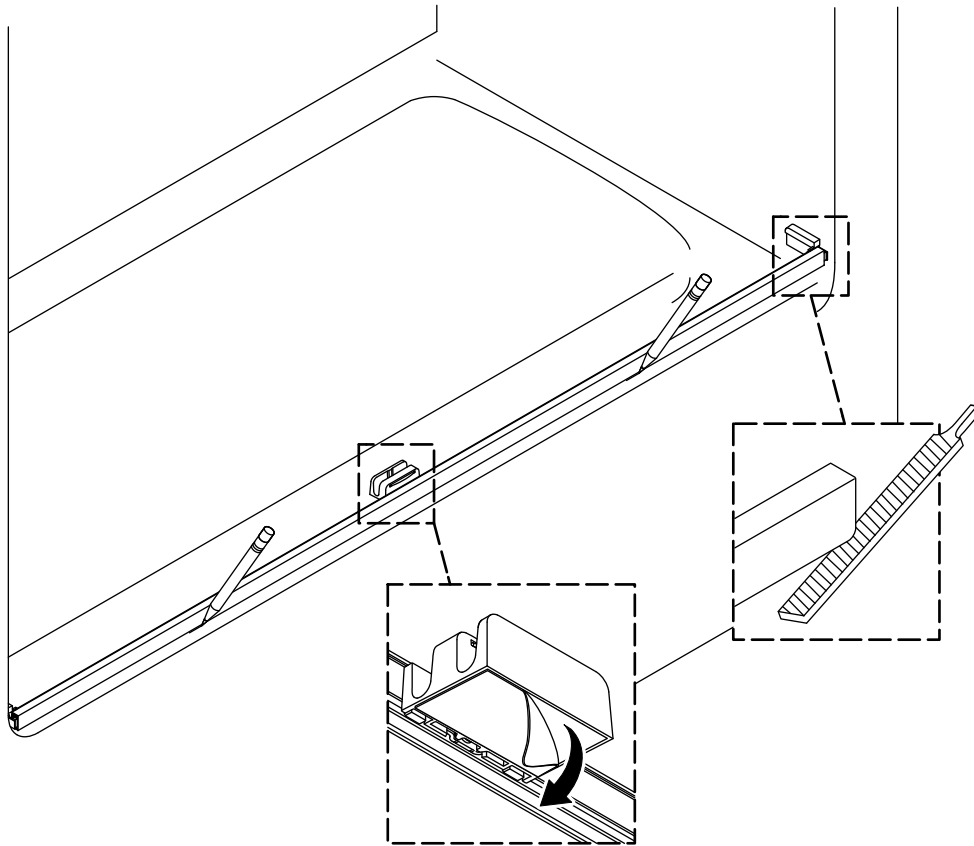
5. Instale el sello del umbral



¡IMPORTANTE! El sello debe instalarse con por lo menos 1/2" (13 mm) sobresaliendo de cada extremo del umbral. El sello se recortará a que ajuste después de haber instalado el umbral.

- Oprima el sello hacia dentro de la canaleta en el umbral, dejando que sobresalga aproximadamente 1/2" (13 mm) del extremo del umbral. Humedecer el sello facilita su instalación.

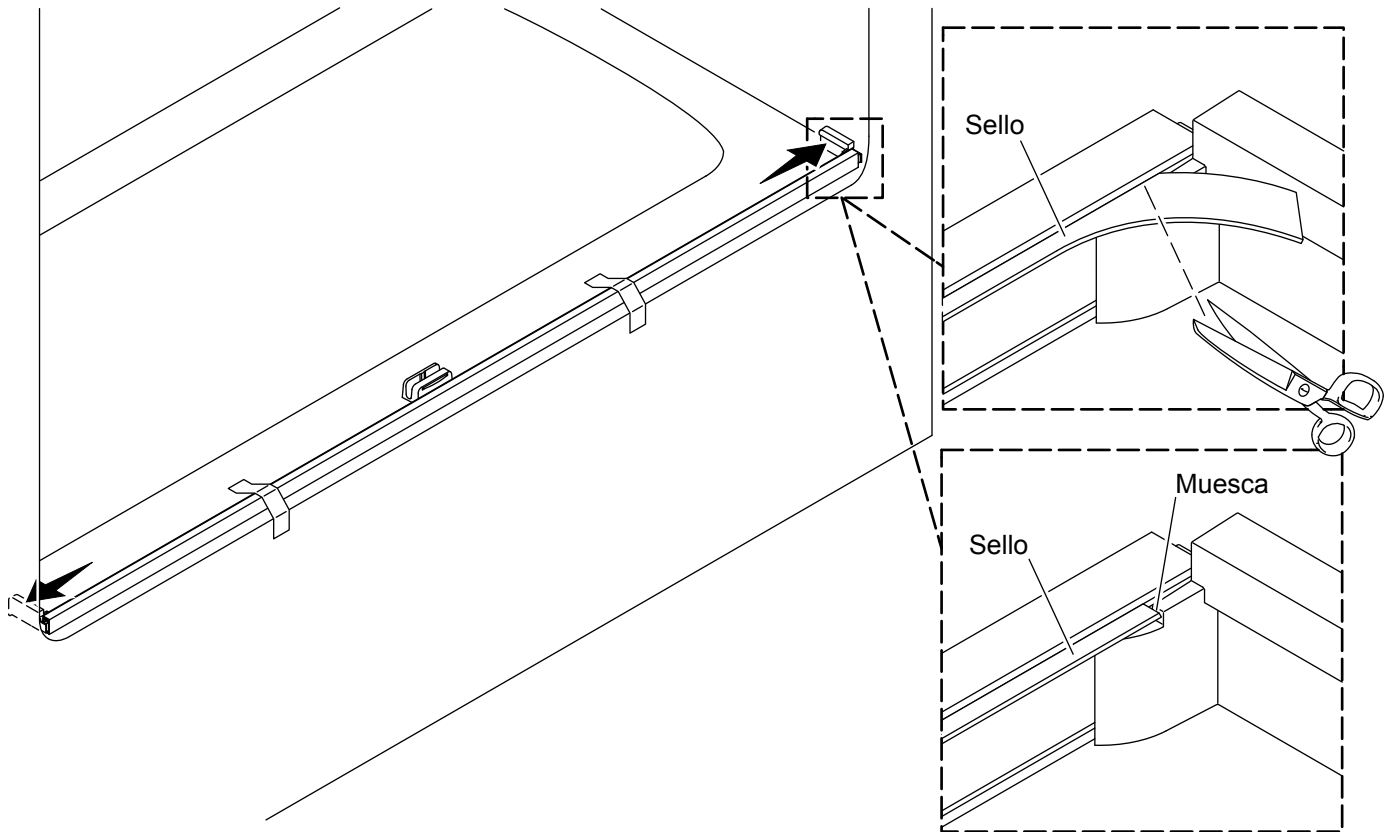
6. Coloque el umbral en su lugar



AVISO: El umbral debe quedar asentado sobre una superficie plana.

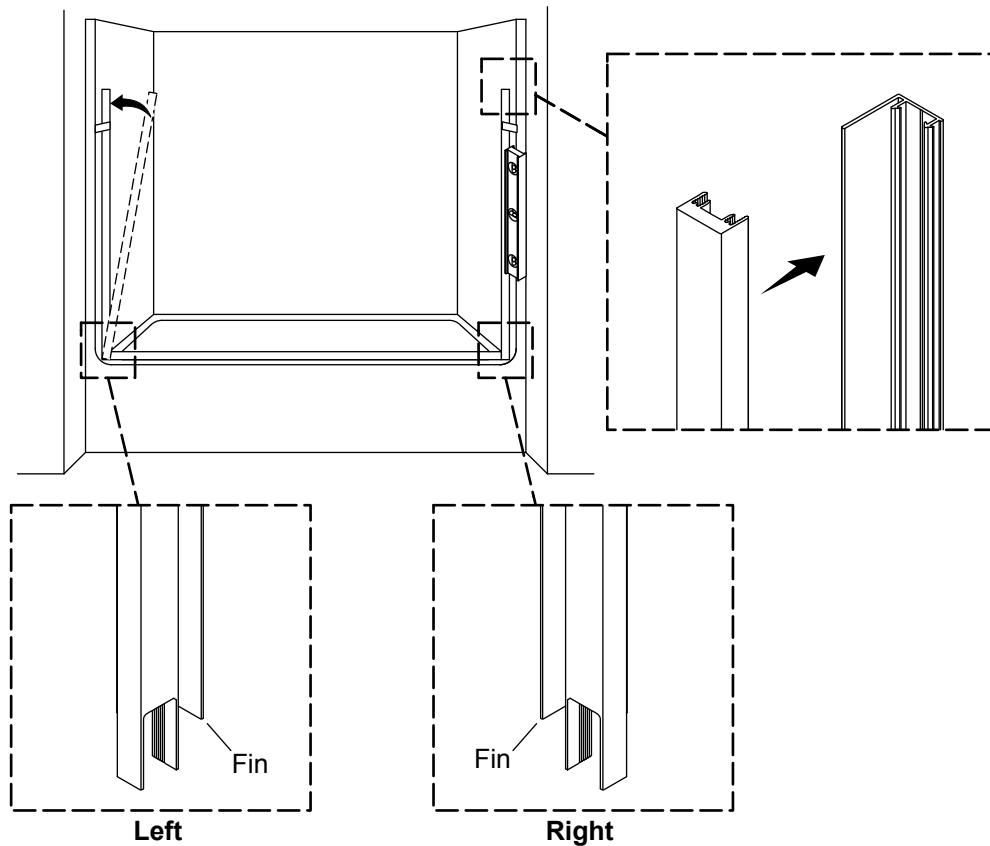
- Antes de seguir adelante, limpie por completo la base de la ducha o el reborde de la bañera.
- De ser necesario, lime los extremos del umbral para igualarlos al radio de las esquinas de la pared de la ducha.
- Coloque el ensamblaje del umbral sobre una superficie plana de la base de la ducha o del reborde de la bañera, lo más cerca posible del borde exterior.
- Coloque el umbral alineado, de forma que quede a la misma distancia del frente de la base de la ducha o del reborde de la bañera, a todo lo largo.
- Marque el lugar del umbral, y luego retírelo.
- Retire la película del adhesivo de la parte inferior de la guía central.
- Instale el umbral en las marcas, y oprima con firmeza en la guía central para que el adhesivo pegue.

7. Complete la instalación del umbral



- Con cinta de enmascarar fije provisionalmente el umbral en su lugar, hasta que las jambas murales queden instaladas.
- Oprima los parachoques contra las paredes.
- Recorte, con tijeras, cada extremo del umbral de forma que se ajuste a la muesca en el parachoques.

8. Prepare las jambas murales

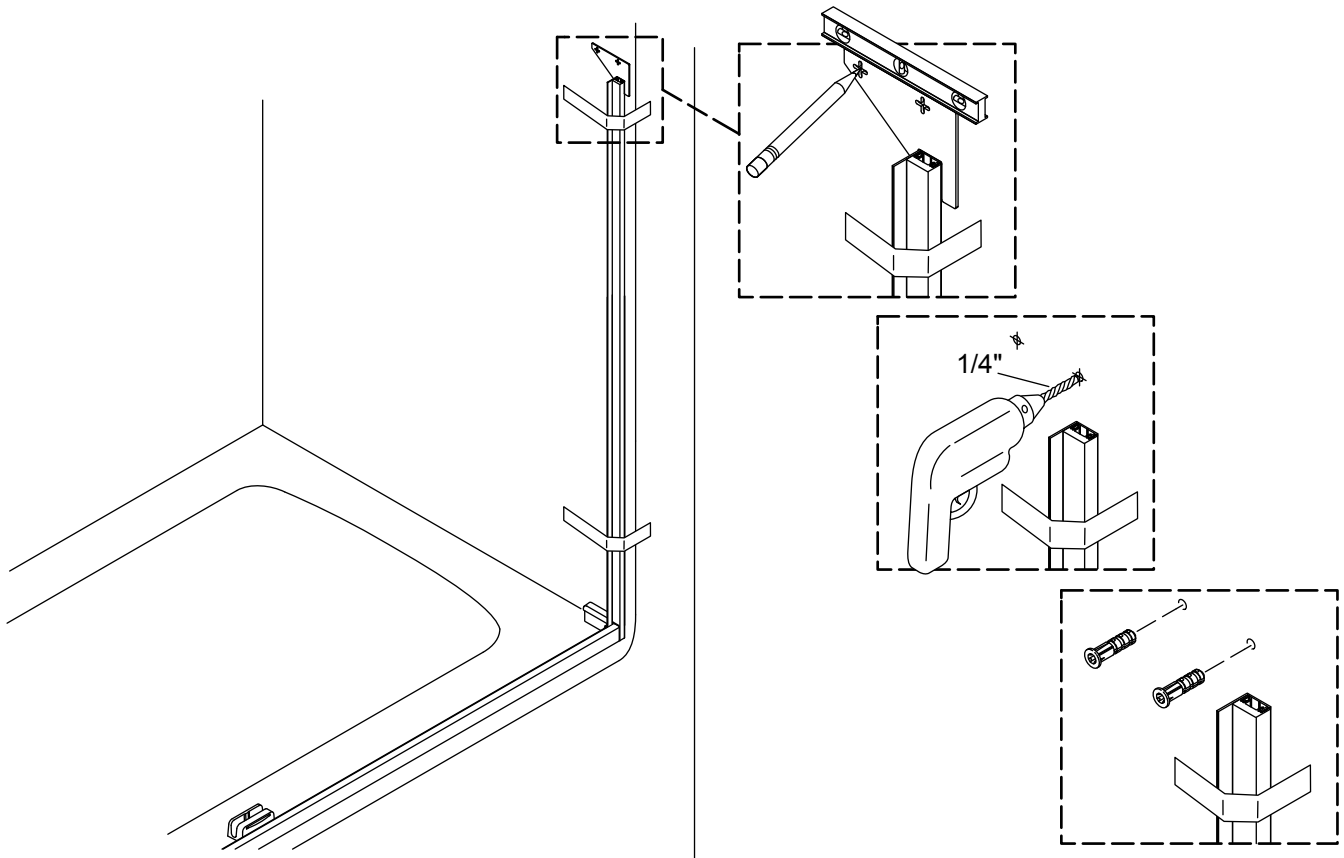


NOTA: La aleta flexible del sello está en el interior de las jambas murales.

NOTA: Las jambas murales son más largas que los sellos.

- Comenzando por la parte superior, oprima un sello contra una jamba mural, y otro contra otra, de forma que quede un ensamblaje izquierdo y uno derecho, como se muestra.
- Coloque los ensamblajes de jambas murales sobre el umbral, de forma que la aleta flexible quede en el interior de la ducha. De ser necesario, recorte las esquinas del metal para igualarlas al radio de las esquinas de la pared de la ducha.
- Con un nivel coloque a plomo las jambas murales, y marque los lugares en la pared.
- Con cinta de enmascarar fije temporalmente en su lugar la parte superior de las jambas murales. En este momento no fije con el adhesivo en la parte posterior del sello.

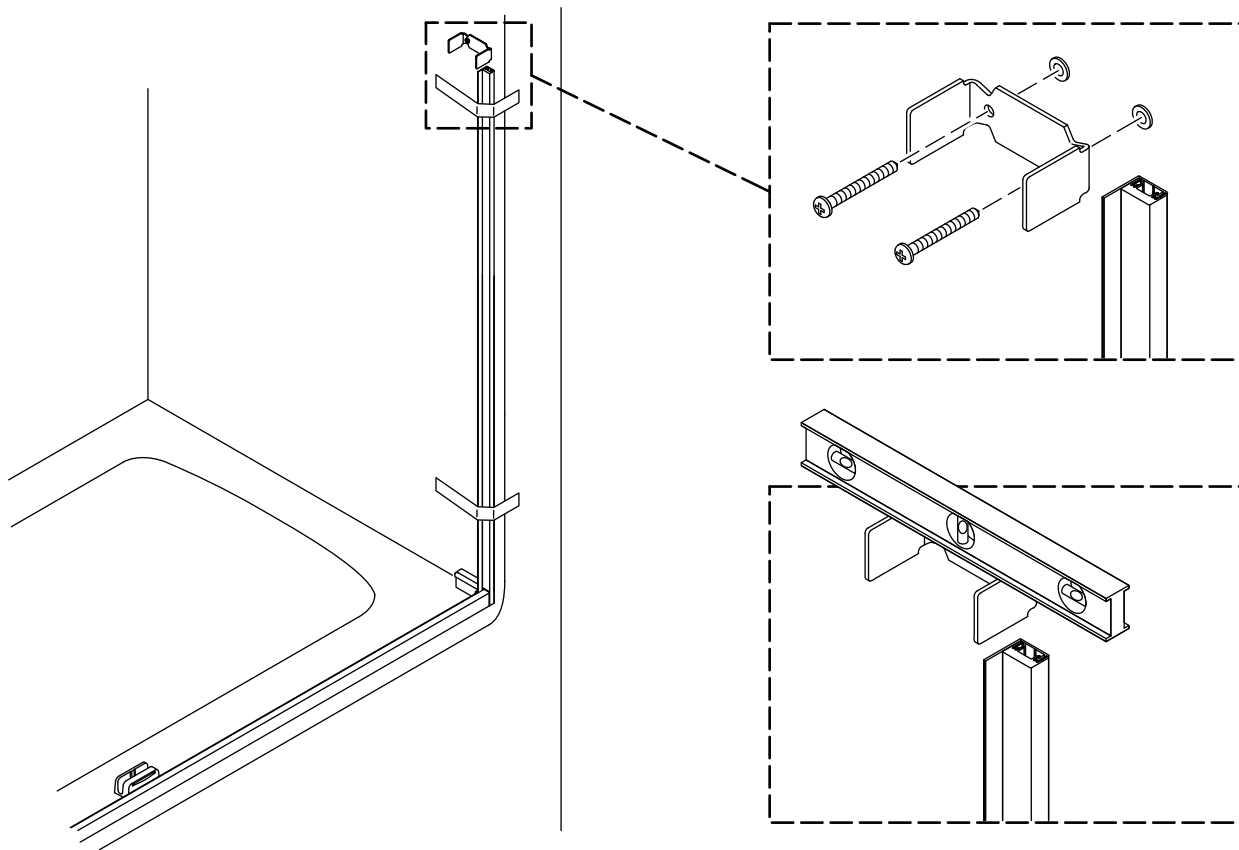
9. Prepare los orificios de los soportes murales



¡IMPORTANTE! La ubicación de los orificios para las ménsulas de pared es crítica. Verifique que los orificios estén correctamente marcados, y taladrados perpendiculares a la pared.

- Asegúrese de que la parte superior de la jamba mural esté fija en su lugar con cinta de enmascarar.
- Coloque la plantilla para taladrar sobre la jamba mural, apuntando hacia dentro de la ducha, como se muestra.
- Verifique que la plantilla quede bien asentada sobre la jamba mural, plana contra la pared, y nivelada.
- Marque los lugares para los orificios, y retire la plantilla.
- Taladre orificios de 1/4 pulg. perpendiculares a la pared en los lugares marcados. **Verifique que al taladrar el taladro no esté diagonal.**
- Instale los anclajes de pared que se incluyen. Verifique que los anclajes queden bien asentados en la pared.
- Repita en la pared opuesta.

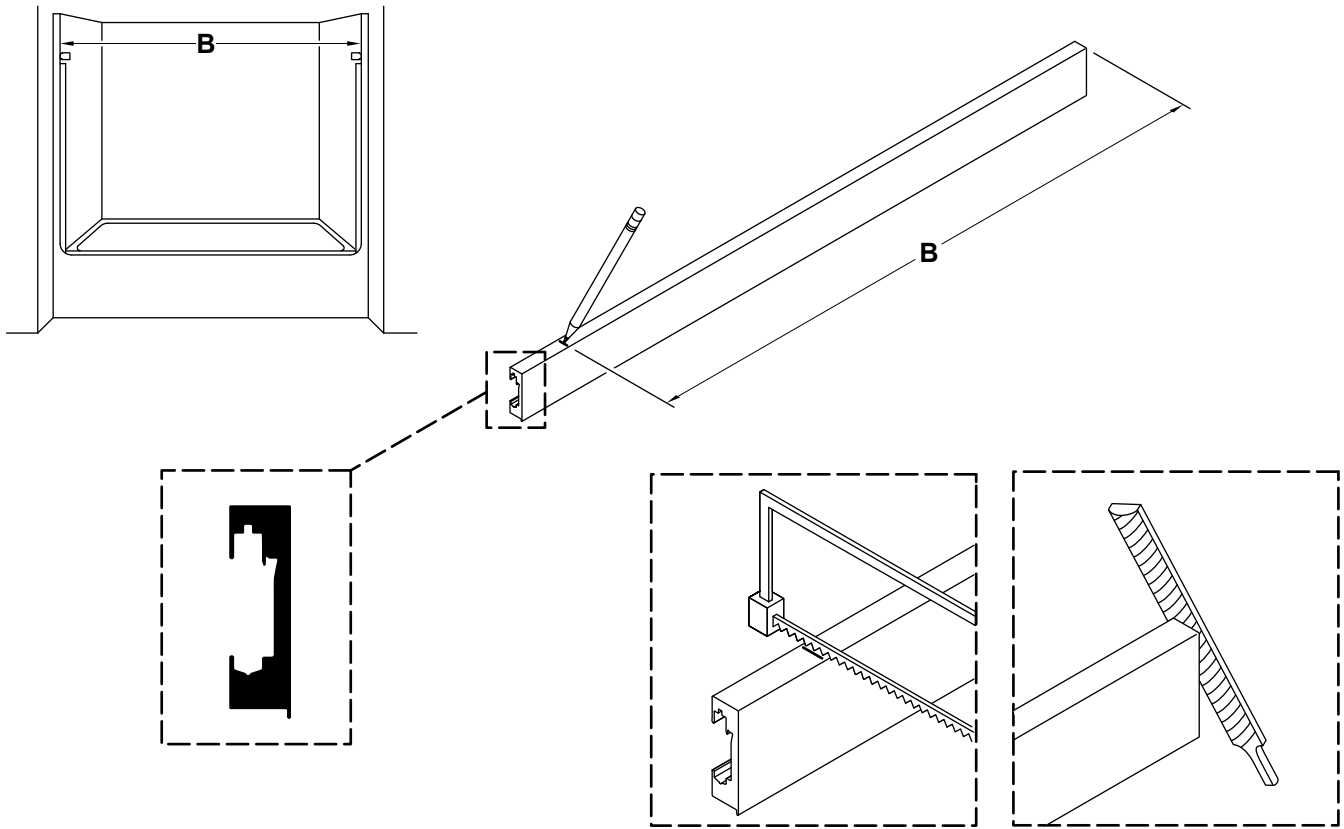
10. Instale los soportes murales



- Antes de seguir adelante, limpie por completo las paredes y el área de la ducha.
- Fije cada uno de los soportes murales con 2 tornillos #8-18 x 1-1/2 pulg. (se incluyen).
- Verifique que el soporte mural quede nivelado. Afloje los tornillos y ajuste la posición, de ser necesario.
- Repita en la pared opuesta.

11. Mida y corte los dinteles

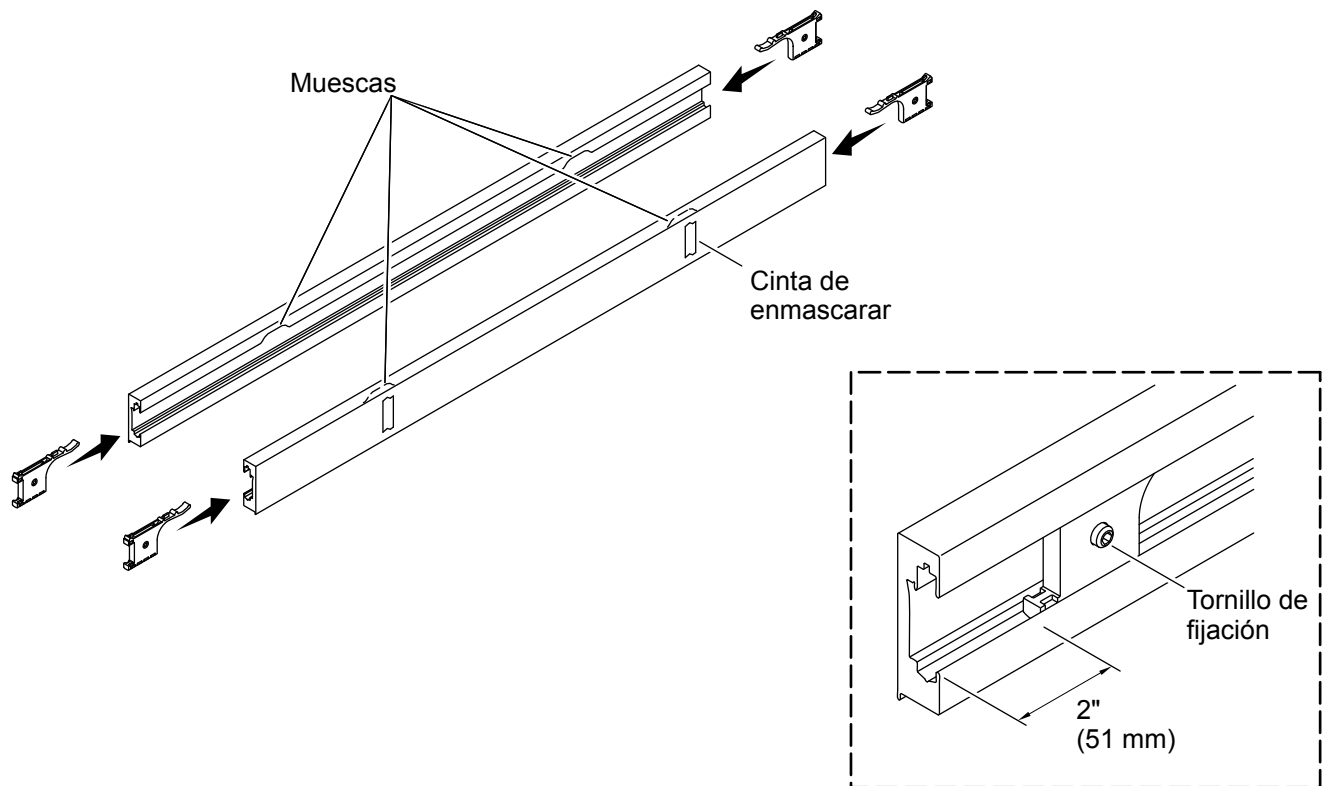
ES



¡IMPORTANTE! Confirme sus medidas antes de recortar. No recorte el dintel demasiado corto.

- Mida la distancia "B" entre las paredes de la ducha, y márquela en cada uno de los 2 dinteles.
- Con una sierra de mano, recorte cada dintel justo en el interior de la línea marcada.
- Lime los bordes ásperos, y quite los desperdicios de los carriles para las rueditas.

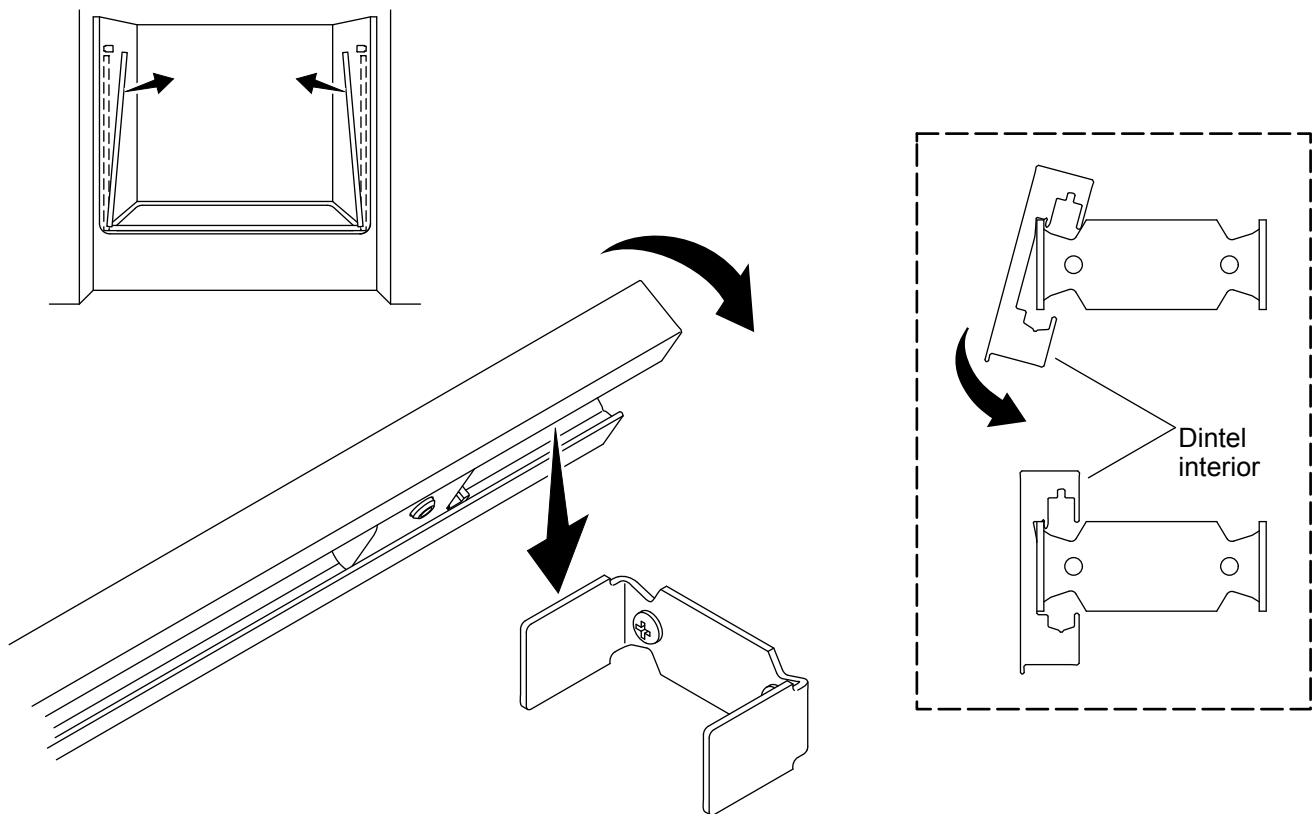
12. Instale los conectores a los dinteles



AVISO: Los 2 dinteles son idénticos.

- Ubique las muescas a lo largo de los carriles interiores de los dinteles.
- Marque los lugares con trozos de cinta de enmascarar en la parte exterior de los dinteles. Esto le ayudará al instalar los paneles de puerta más adelante.
- Empuje un conector de dintel en el extremo de cada dintel, como se indica. La cabeza del tornillo hexagonal debe quedar visible.
- Coloque cada uno de los conectores aproximadamente a 2" (51 mm) de los extremos de los dinteles, de forma que libren las ménsulas durante la instalación de los dinteles.

13. Coloque el dintel interior



¡IMPORTANTE! En este momento solo instale el dintel interior.

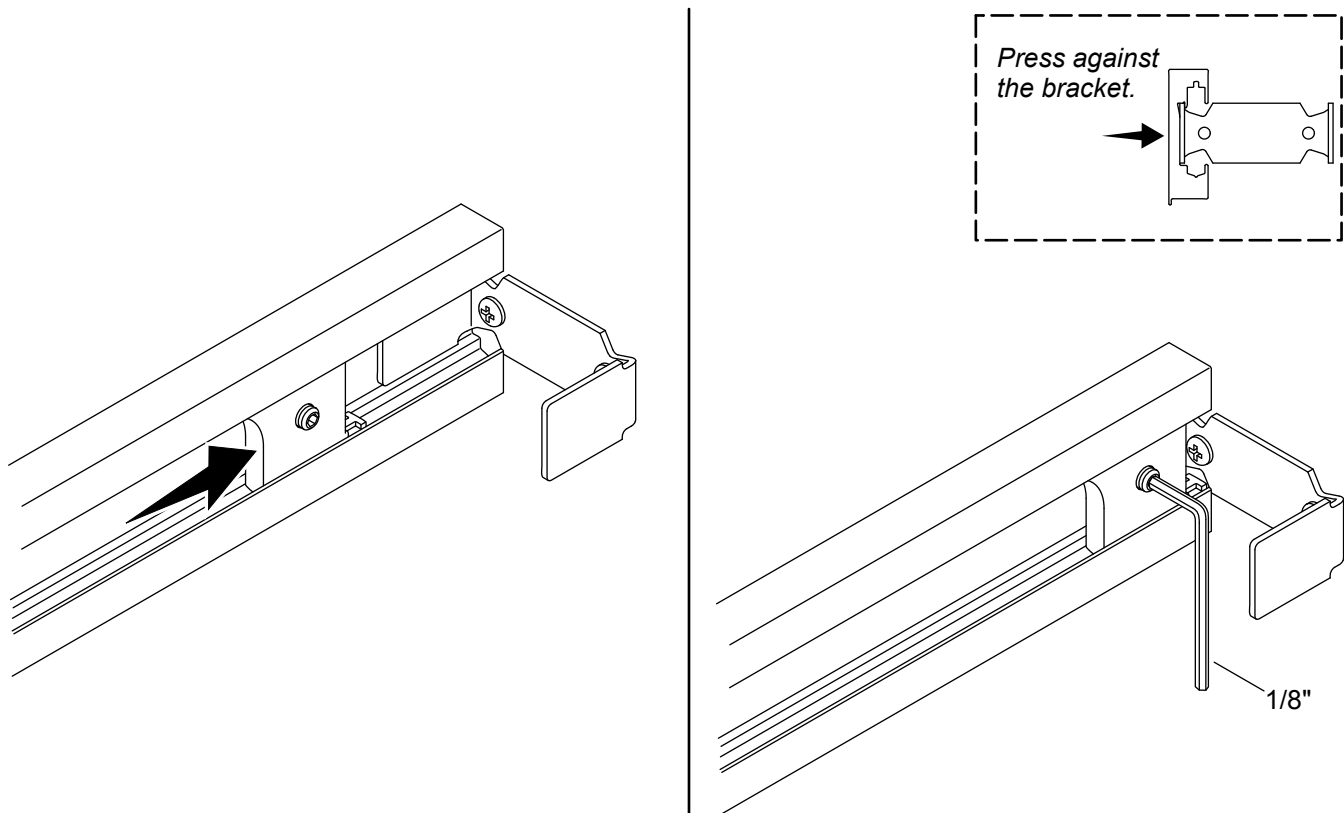
AVISO: Los 2 dinteles son idénticos.

- Para facilitar la instalación del dintel, retire las jambas murales que colocó temporalmente.
- Con la cara plana del dintel hacia el interior de la ducha, incline el dintel como se muestra y bájelo sobre ambas ménsulas al mismo tiempo.

NOTA: El dintel quedará ligeramente suelto. Se fijará en la siguiente sección.

- Gire el dintel sobre ambas ménsulas al mismo tiempo, de forma que quede vertical y plano contra ellas.

14. Fije el dintel interior



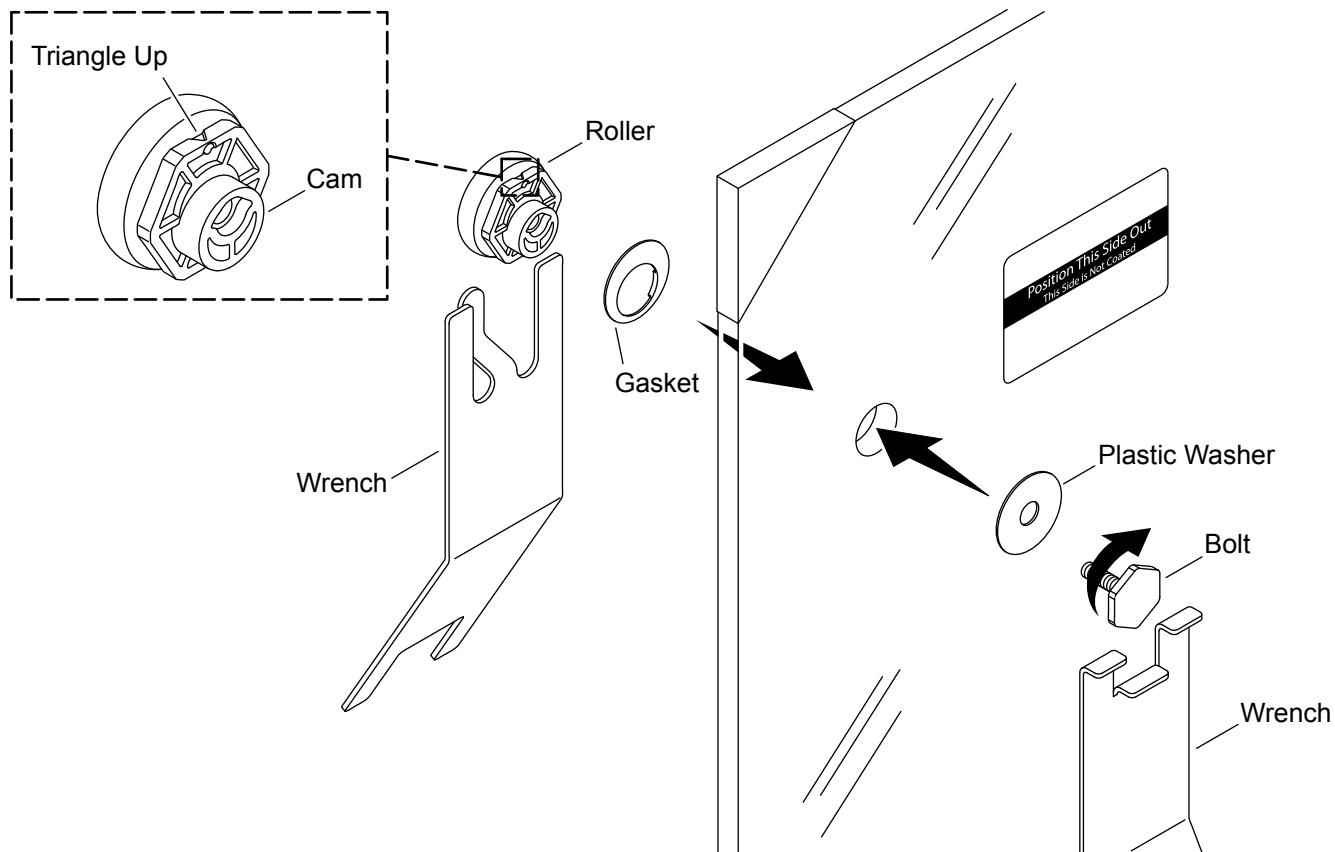
¡IMPORTANTE! En este paso se fija el dintel a las ménsulas, de forma que se pueda colgar el panel de la puerta.

- Oprima el dintel contra la ménsula, y deslice los conectores de dintel por completo hasta la pared a cada extremo del dintel.

NOTA: Si el conector del dintel no se desliza sobre la ménsula, es posible que el tornillo deba ser aflojado, que el dintel no esté bien instalado en la ménsula, o que la ménsula esté inclinada alejada de la pared. Haga los ajustes necesarios.

- Fije el dintel apretando cada uno de los tornillos de conector con una llave hexagonal de 1/8 pulg.

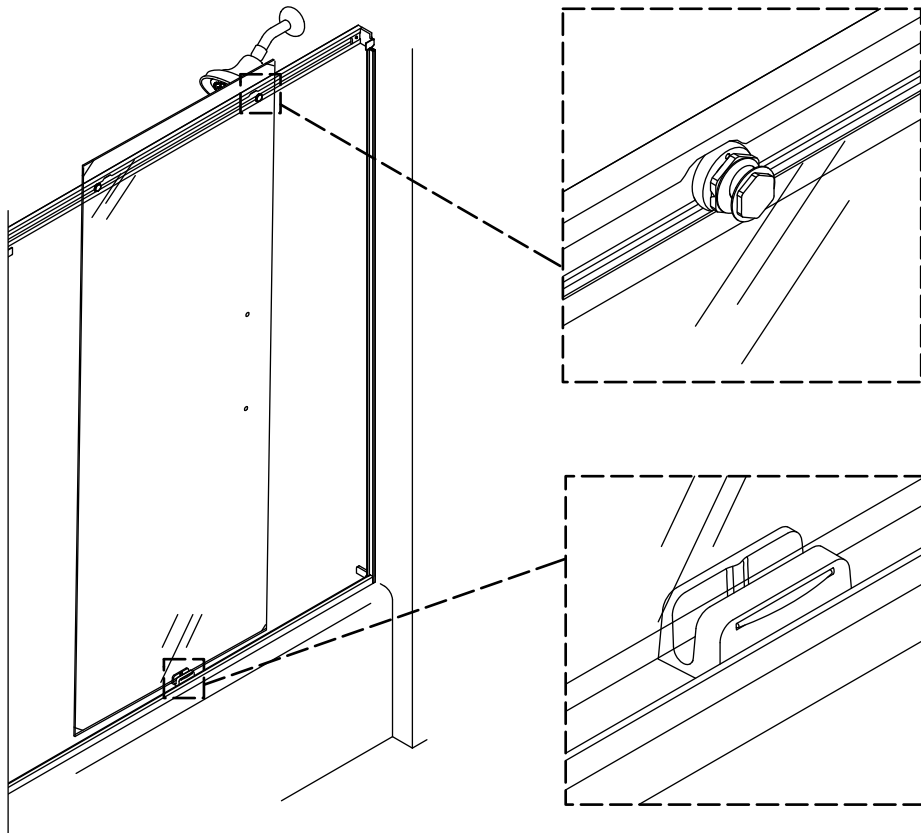
15. Instale las rueditas del panel interior



AVISO: Hay una figura de triángulo moldeada en una de las caras planas de cada ruedita.

- Oriente el panel de la puerta de forma que los orificios para manija queden del lado de la cabeza de ducha, y que la etiqueta quede hacia el exterior de la ducha.
- Coloque la ruedita y el empaque en el lado opuesto del panel donde se encuentra la etiqueta, como se indica, e introduzca la leva de la ruedita en el orificio.
- Oriente la ruedita de forma que el triángulo apunte hacia arriba. Esto coloca la puerta en su posición más baja, lo que facilita hacer ajustes.
- Introduzca una arandela de plástico sobre el perno, y apriete a mano el perno a la ruedita.
- Apriete el perno con ambas llaves de apriete, que se incluyen.

16. Instale el panel interior



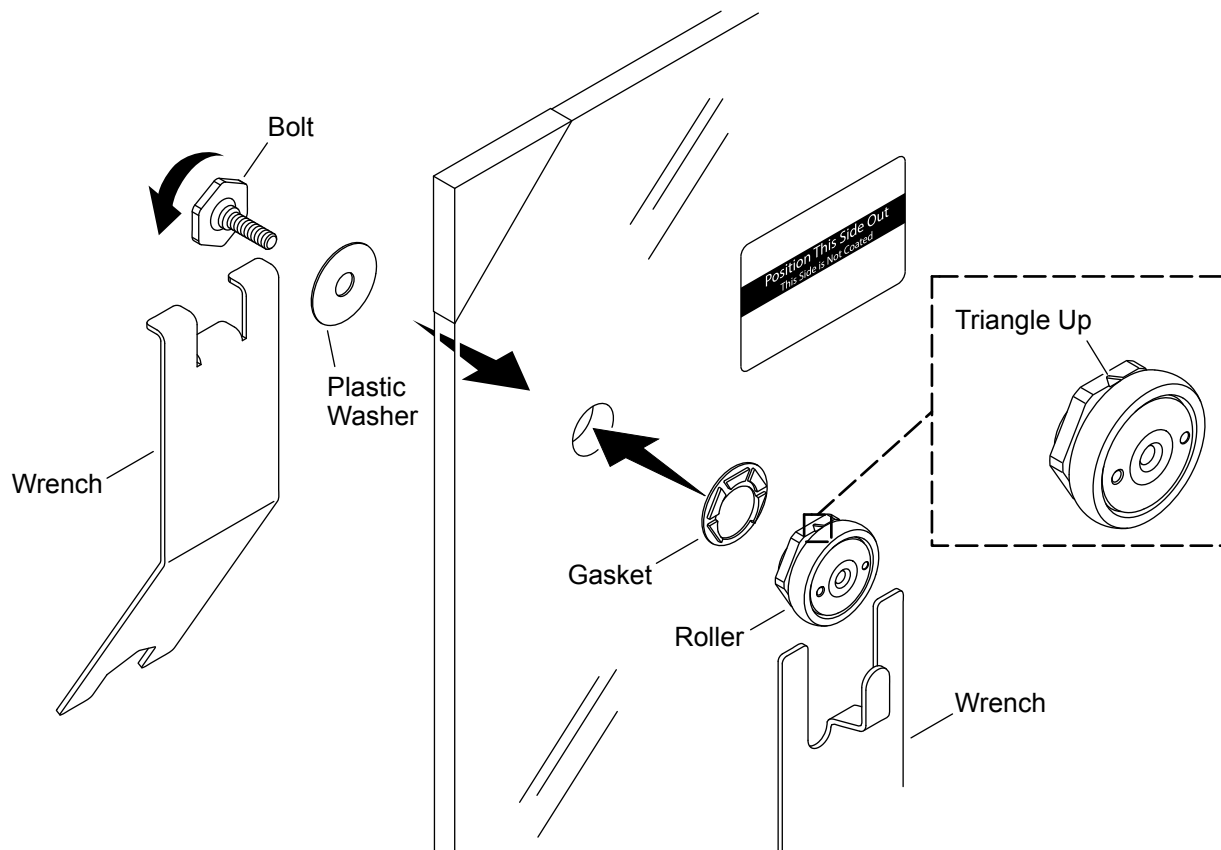
⚠ PRECAUCIÓN: Riesgo de ocasionar daños al producto. Una vez instalado, no mueva el panel cercano a la pared porque los parachoques superiores todavía no han sido instalados.

NOTA: En este momento los protectores esquineros deben seguir instalados en el panel.

NOTA: Las rueditas quedan hacia el interior de la ducha y la etiqueta queda hacia el exterior de la ducha.

- Con ayuda, desde afuera de la ducha, levante el panel y coloque su parte inferior dentro de la canaleta interior en la guía central.
- Levante el panel justo lo necesario para colocar una ruedita dentro de una muesca en el dintel. Luego deslice el panel de forma que la segunda ruedita quede alineada con la otra muesca en el dintel.
- Verifique que la parte inferior del panel de la puerta siga estando en la canaleta interior de la guía central.

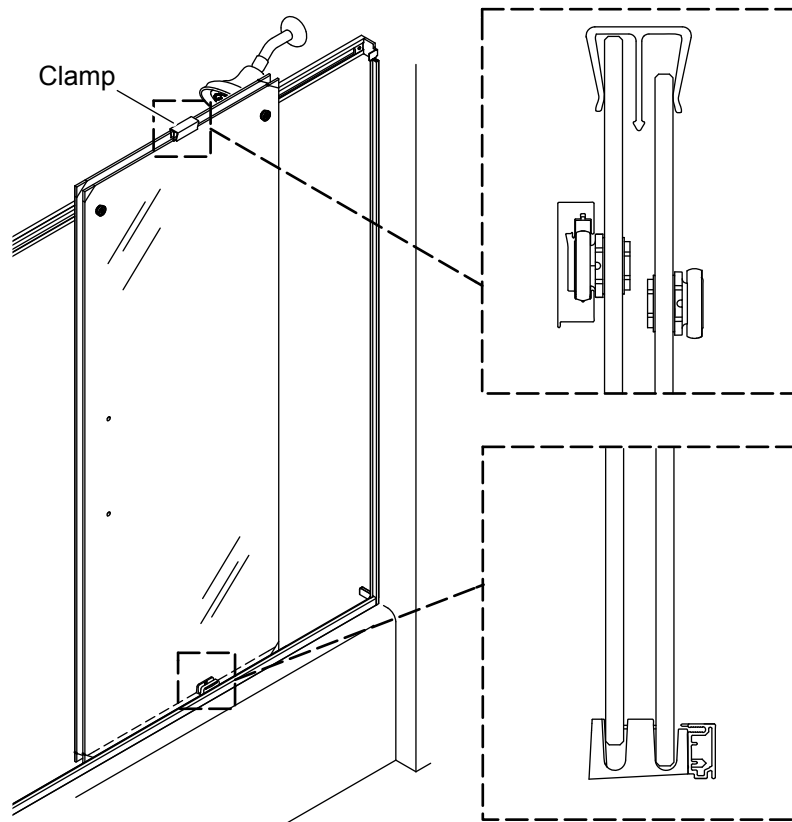
17. Instale las rueditas del panel exterior



AVISO: Hay una figura de triángulo moldeada en una de las caras planas de cada ruedita.

- Oriente el panel de la puerta de forma que los orificios para manija queden del lado opuesto de la cabeza de ducha, y que la etiqueta quede hacia el exterior de la ducha.
- Coloque la ruedita y el empaque en el mismo lado del panel donde se encuentra la etiqueta, como se indica, e introduzca la leva de la ruedita en el orificio.
- Oriente la ruedita de forma que el triángulo apunte hacia arriba. Esto coloca la puerta en su posición más baja, lo que facilita hacer ajustes.
- Apriete a mano con firmeza la ruedita contra el vidrio con el empaque y el perno.
- Introduzca una arandela de plástico sobre el perno, y apriete a mano el perno a la ruedita.
- Apriete el perno con ambas llaves de apriete, que se incluyen.

18. Coloque el panel exterior



NOTA: En este momento los protectores esquineros deben seguir instalados en el panel.

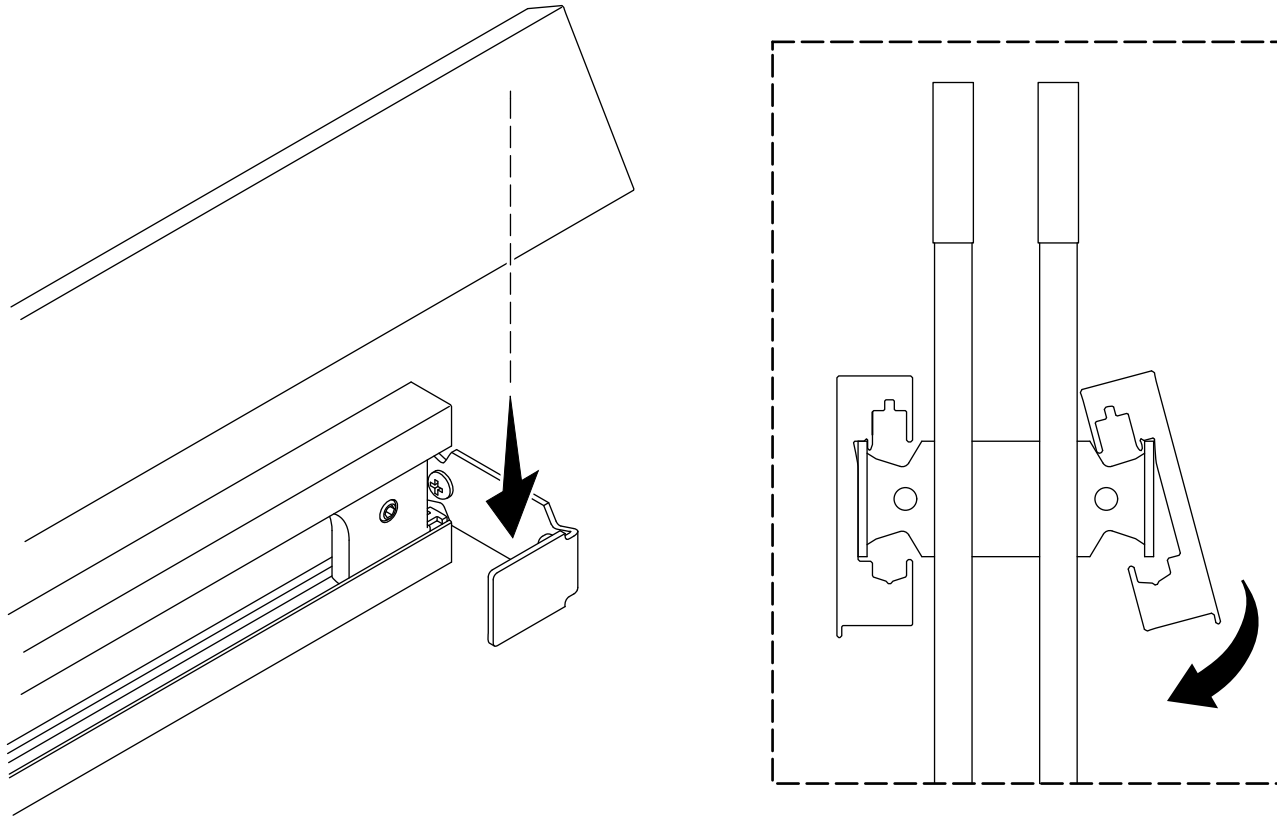
NOTA: Las rueditas y la etiqueta deben quedar hacia el exterior de la ducha.

NOTA: Antes de hacer este paso, coloque la abrazadera de instalación donde la pueda alcanzar, o colóquela en la parte superior del panel de vidrio.

- Con ayuda, desde afuera de la ducha, levante el panel y coloque su parte inferior dentro de la canaleta exterior en la guía central.
- Incline el panel contra el panel interior y coloque la abrazadera de instalación sobre la parte superior de ambos paneles.

19. Coloque el dintel exterior

ES



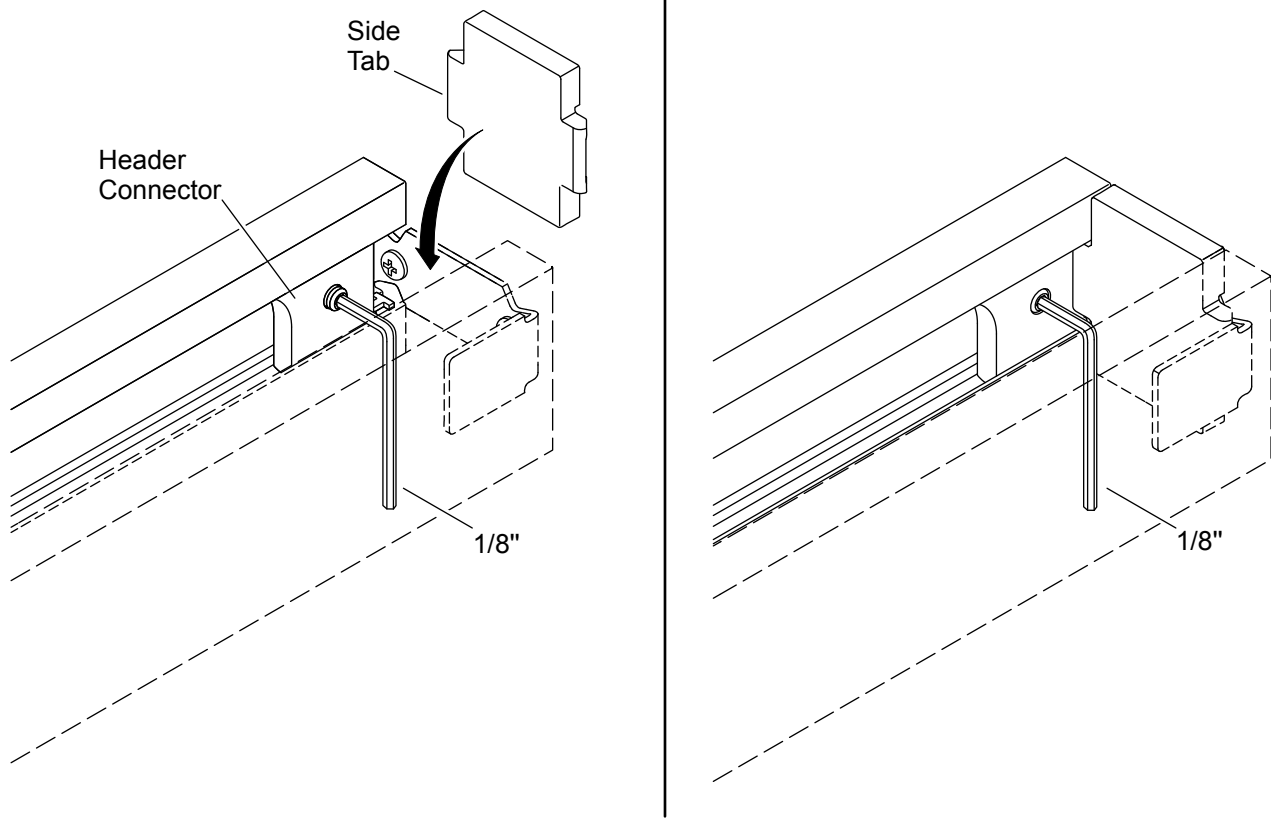
AVISO: Los 2 dinteles son idénticos.

- Con la cara plana del dintel hacia el exterior de la ducha, incline el dintel como se muestra y bájelo sobre ambas ménsulas al mismo tiempo.

NOTA: El dintel quedará ligeramente suelto. Se fijará en la siguiente sección.

- Gire el dintel sobre ambas ménsulas al mismo tiempo, de forma que quede vertical y plano contra ellas.

20. Instale los parachoques superiores

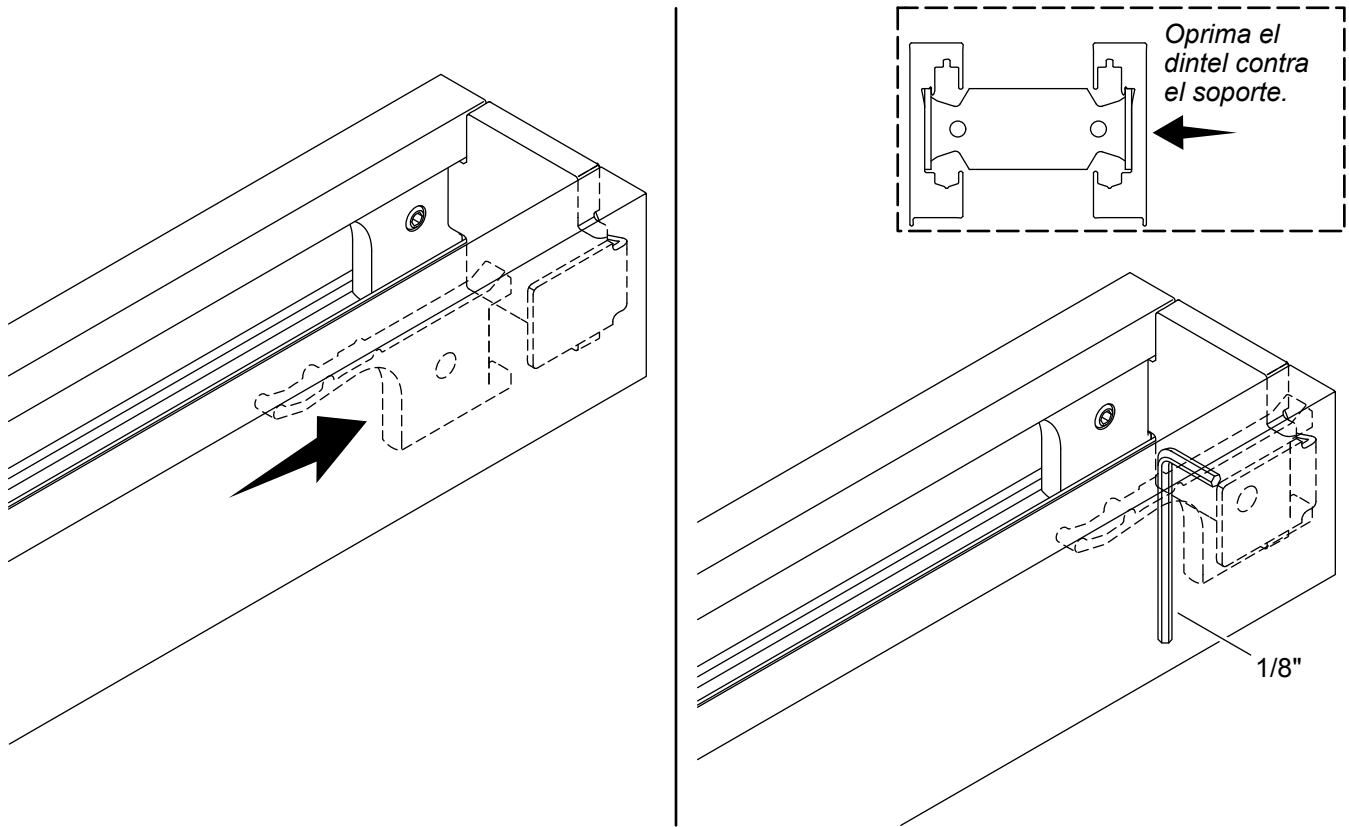


NOTA: Para facilitar la instalación de los parachoques, es posible que sea necesario aflojar los conectores de los dinteles y alejarlos temporalmente de la ménsula.

- Oprima la lengüeta lateral del parachoques en el extremo de uno de los dinteles detrás del conector de dintel. Si la lengüeta no entra, afloje el conector de dintel con una llave hexagonal de 1/8 pulg.
- Gire el parachoques contra la ménsula, y oprima la lengüeta opuesta en el dintel opuesto.
- Repita estos pasos con el segundo parachoques en el lado opuesto.
- Asegúrese de que los conectores de dintel queden apretados contra los parachoques. Apriete el tornillo de fijación para fijar en su lugar.

21. Fije el dintel exterior

ES



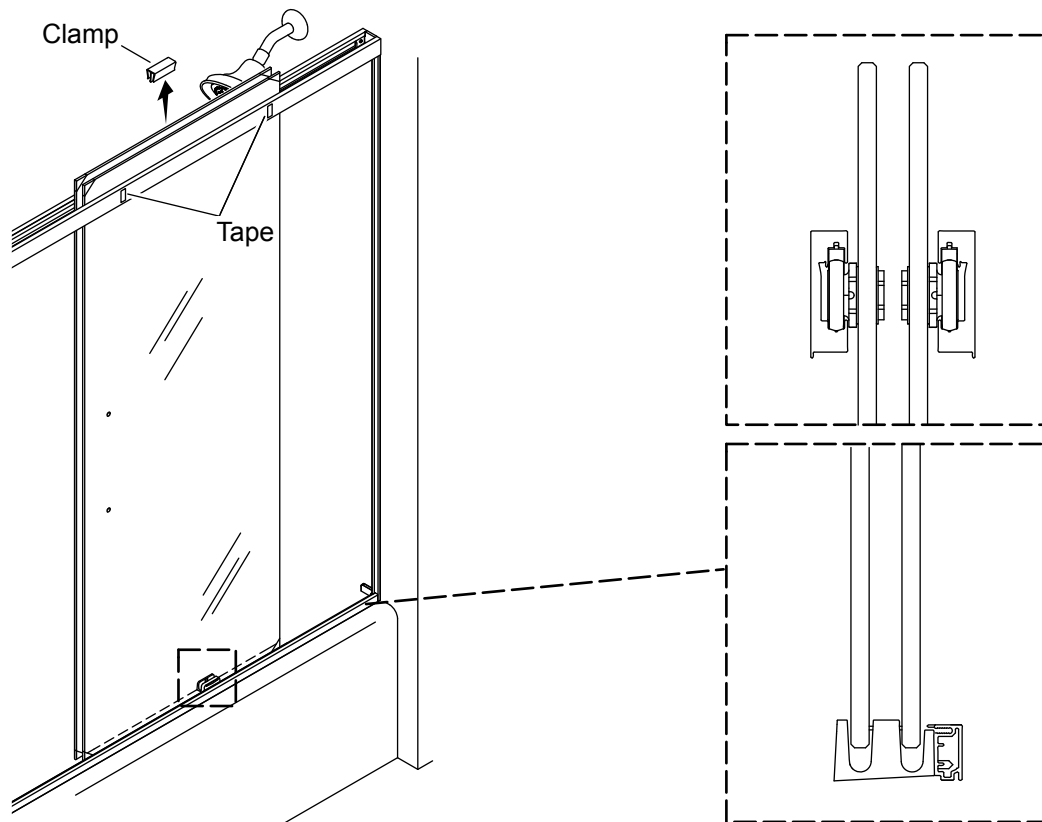
¡IMPORTANTE! En este paso se fija el dintel a las ménsulas, de forma que se pueda colgar el panel de la puerta.

- Oprima el dintel contra la ménsula, y deslice los conectores de dintel por completo hasta la pared a cada extremo del dintel.

NOTA: Si el conector del dintel no se desliza sobre la ménsula, es posible que el tornillo deba ser aflojado, que el dintel no esté bien instalado en la ménsula, o que la ménsula esté inclinada alejada de la pared. Haga los ajustes necesarios.

- Fije el dintel apretando cada uno de los tornillos de conector con una llave hexagonal de 1/8 pulg.

22. Instale el panel exterior

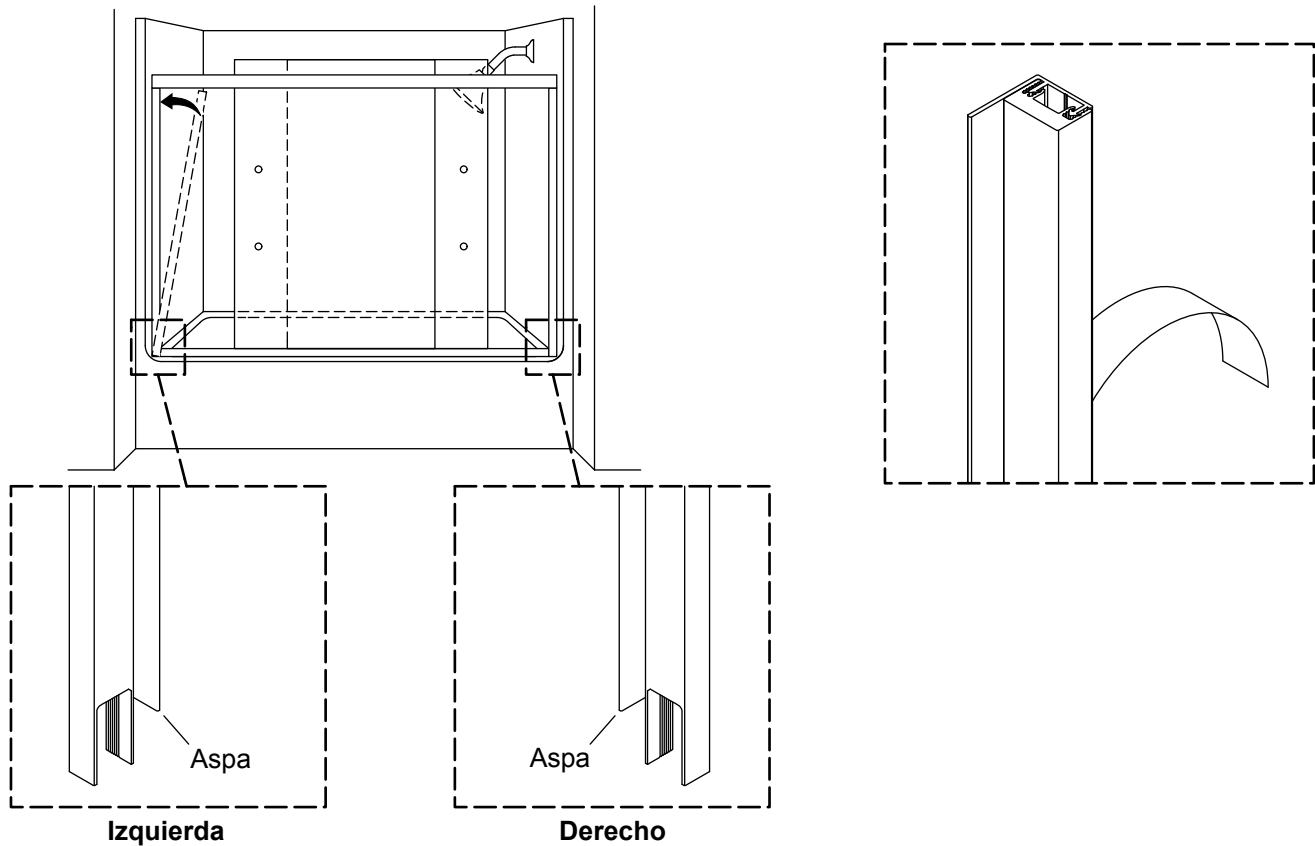


NOTA: Las rueditas y la etiqueta deben quedar hacia el exterior de la ducha.

- Fíjese en la cinta de enmascarar que indica la ubicación de las muescas, que marcó en la sección “Mida y recorte los dinteles”.
- Retire la abrazadera de la parte superior de los paneles.
- Con ayuda, desde el exterior de la ducha, levante el panel exterior, alinee una ruedita con la muesca en el dintel exterior, y coloque la ruedita en el carril para rueditas.
- Levante el panel justo lo necesario para colocar una ruedita dentro de una muesca en el dintel. Luego deslice el panel de forma que la segunda ruedita quede alineada con la otra muesca en el dintel.
- Verifique que la parte inferior del panel de puerta siga estando dentro de la canaleta de la guía central.
- Retire los protectores esquineros de los paneles.
- Asegúrese de que ambos paneles se muevan fácilmente de izquierda a derecha.

23. Instale las jambas murales

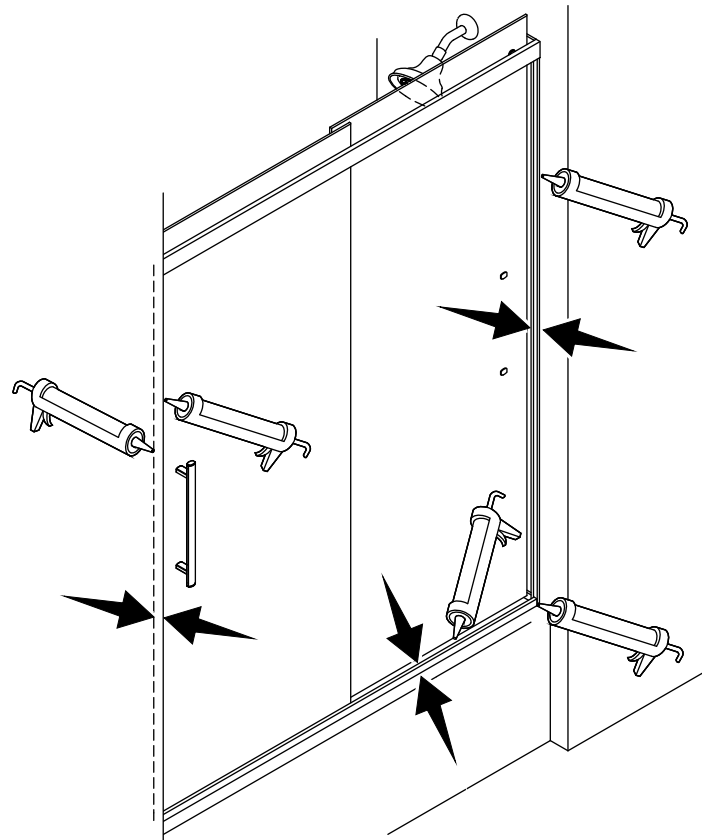
ES



NOTA: Las aletas en las jambas murales deben quedar hacia el interior de la ducha.

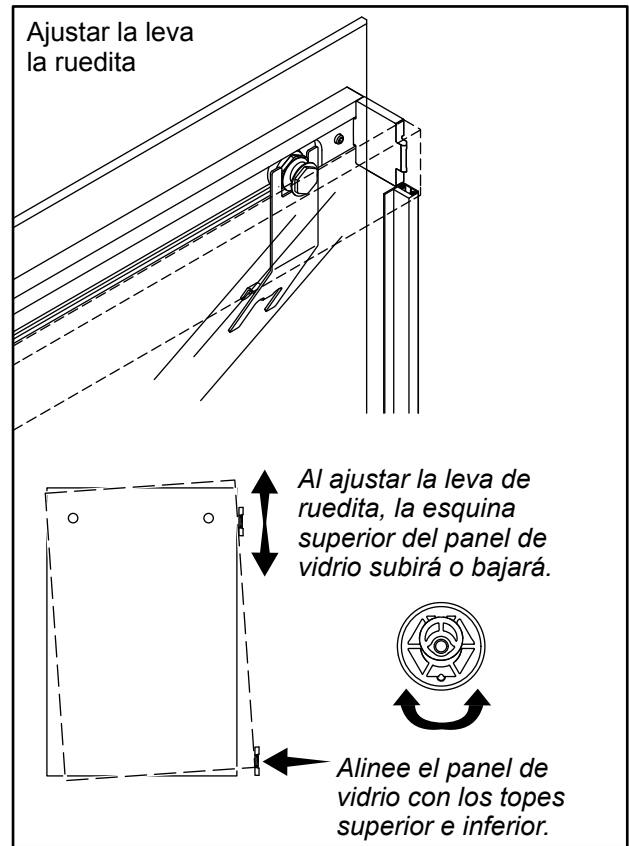
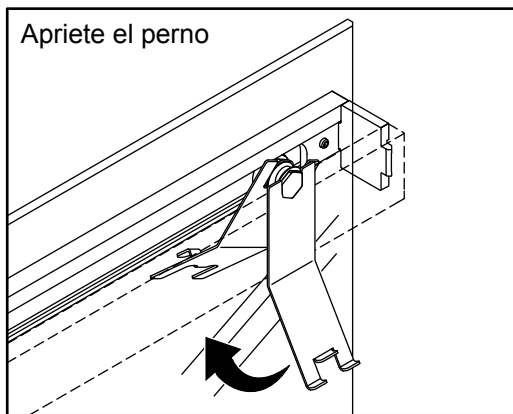
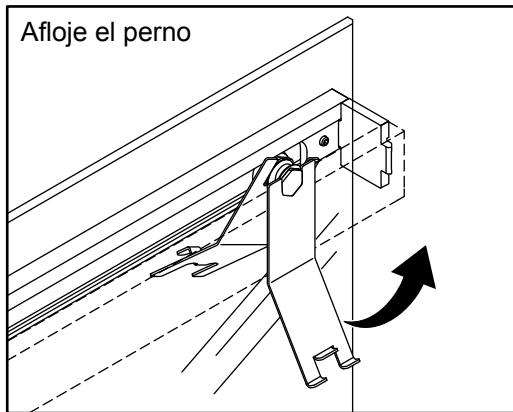
- Antes de seguir adelante, limpie bien las paredes de la ducha detrás de las jambas murales con los paños humedecidos en alcohol, que se incluyen.
- Retire la película del adhesivo en la parte posterior de la jamba mural. Retire la película del adhesivo en la parte inferior de la guía central.
- Con cuidado coloque la parte inferior de la jamba mural alineada sobre el umbral, y luego inclínela hacia la pared. La parte superior de la jamba mural debe quedar alineada con el dintel.
- Oprima con firmeza para pegar el adhesivo a la pared.
- Repita este procedimiento con la segunda jamba mural.

24. Termine la instalación



- Instale las manijas de acuerdo a las instrucciones incluidas con las manijas.
- Aplique sellador 100 % de silicona a lo largo de las jambas murales dentro y fuera de la ducha o bañera.
- Aplique sellador 100 % de silicona a lo largo de los bordes interior y exterior del umbral, alrededor de la guía central, y alrededor de los parachoques izquierdo y derecho.

Ajuste y mantenimiento de paneles



AVISO: Es posible que sea necesario ajustar los paneles para asegurar que hagan contacto con los parachoques superior e inferior en la posición cerrada. El panel interior debe cerrar del lado de la cabeza de ducha, y el panel exterior debe cerrar en el lado opuesto. Se facilita hacer los ajustes cuando se hacen con el panel cerrado contra la pared correcta de la ducha.

- Para ajustar los paneles, afloje el perno de la ruedita con la llave de apriete que se adjunta. **¡No afloje demasiado!**
- Para ajustar la alineación de cada uno de los extremos del panel, haga girar la ruedita con las llaves de apriete que se incluyen.
- Continúe hasta que la puerta funcione bien, que quede alineada por parejo con las paredes de la ducha, y que los paneles de puerta hagan contacto con los parachoques superior e inferior al mismo tiempo.
- Cuando termine, apriete con firmeza los 4 pernos de las rueditas.

Mantenimiento

- Revise anualmente que las rueditas estén apretadas.
- Retenga las llaves de apriete que se incluyen para hacer ajustes o volver a apretar en el futuro.

Resolución de problemas

Esta guía de resolución de problemas está diseñada únicamente como ayuda general. Si tiene preguntas acerca de servicio e instalación, llame al 1-800-4KOHLER.

Síntomas	Causa probable	Acción recomendada
1. La puerta hace ruido cuando se abre o se cierra.	<p>A. Es posible que el soporte esté instalado muy desnivelado.</p> <p>B. Los paneles de puerta están demasiado bajos, raspan contra la base de la guía central o contra la base de la ducha o el reborde de la bañera.</p> <p>C. Las rueditas están sueltas.</p> <p>D. Las rueditas se han desgastado y hacen ruido.</p>	<p>A. Retire los paneles y los dinteles, y nivele los soportes. Si no es posible nivelar los soportes, llame a servicio al cliente.</p> <p>B. Ajuste las rueditas para elevar los paneles de puerta. Consulte la sección "Ajuste y mantenimiento de paneles".</p> <p>C. Apriete los pernos de las rueditas con la llave de apriete que se incluye.</p> <p>D. Cambie las rueditas.</p>
2. Es difícil mover la puerta o no abre.	<p>A. Los paneles de puerta están demasiado bajos, raspan contra la base de la guía central o contra la base de la ducha o el reborde de la bañera.</p> <p>B. El sello del umbral no está bien asentado, lo que ocasiona que raspe el panel de la puerta.</p> <p>C. Los dinteles no están fijos a los soportes.</p> <p>D. Las rueditas están sueltas.</p>	<p>A. Ajuste las rueditas para elevar los paneles de puerta. Consulte la sección "Ajuste y mantenimiento de paneles".</p> <p>B. Empuje el sello a que entre por completo en el umbral.</p> <p>C. Verifique que los conectores de dintel estén colocados sobre los soportes, y fíjelos en su lugar con los tornillos de fijación.</p> <p>D. Apriete los pernos de las rueditas con la llave de apriete que se incluye.</p>
3. Los paneles de puerta están sueltos y se columpian hacia dentro y hacia fuera de la ducha.	<p>A. La guía central no está instalada.</p> <p>B. La guía central no está instalada en el lugar correcto.</p> <p>C. Los paneles de puerta no están bien instalados en la guía central.</p> <p>D. Los paneles de puerta están demasiado elevados.</p>	<p>A. Instale la guía central de acuerdo con las instrucciones.</p> <p>B. Instale la guía central en el centro del umbral.</p> <p>C. Los paneles de vidrio deben colocarse en las canaletas de la guía central.</p> <p>D. Ajuste las rueditas para bajar los paneles. Consulte la sección "Ajuste y mantenimiento de paneles".</p>

Síntomas	Causa probable	Acción recomendada
<p>4. La guía central está suelta.</p>	<p>A. La guía central no está instalada sobre el clip. B. La guía central no está instalada. C. El tornillo que conecta el clip de la guía central está suelto. D. No se quitó la película del adhesivo en el fondo de la guía central.</p>	<p>A. Retire el dintel exterior y ambos paneles de puerta. Vuelva a instalar la guía central sobre el clip. Vuelva a instalar los paneles y el umbral exterior. B. Retire el dintel exterior y ambos paneles de puerta. Instale el clip, y luego instale la guía central sobre el clip. Vuelva a instalar los paneles y el umbral exterior. C. Retire el dintel exterior y ambos paneles de puerta. Apriete el tornillo del clip Si el tornillo no aprieta, taladre un nuevo orificio cerca del orificio original. Instale la guía central sobre el clip. Vuelva a instalar los paneles y el umbral exterior. D. Retire el dintel exterior y ambos paneles de puerta. Levante la guía central del clip, retire la película en la cinta y vuelva a instalar la guía central sobre el clip. Vuelva a instalar los paneles y el umbral exterior.</p>
<p>5. Se fuga el agua.</p>	<p>A. Se fuga agua por debajo del umbral. B. Se fuga agua por debajo de un panel de puerta. C. Se fuga agua por debajo de un panel de puerta. D. Se fuga agua entre los paneles de puerta. E. Se fuga agua alrededor de la jamba mural. F. Se fuga agua por la parte inferior de la jamba mural y sobre el umbral.</p>	<p>A. Aplique sellador 100 % de silicona al borde exterior del umbral. Siga las instrucciones del fabricante del sellador de silicona antes de usar la ducha. B. Ajuste las rueditas para bajar los paneles de puerta y acercarlos a la base de la ducha o al reborde de la bañera. Consulte la sección “Ajuste y mantenimiento de paneles”. C. Revise la altura del dintel. El dintel debe quedar asentado sobre las jambas murales. D. Al tomar una ducha, asegúrese de que el panel interior quede más cerca a la cabeza de ducha. E. Ajuste el panel de puerta de forma que el panel haga contacto con los topes superior e inferior. Trate de que no caiga agua directamente a los paneles de puerta. F. Si hay una separación entre la parte inferior del sello de la jamba mural y la parte superior del umbral, aplique silicona a esa área.</p>
<p>6. No se puede instalar la jamba mural bajo el dintel.</p>	<p>A. El soporte está instalado demasiado bajo.</p>	<p>A. Para ajustar el soporte más arriba, afloje los tornillos y empuje el soporte hacia arriba.</p>
<p>7. La jamba mural no se mantiene en su lugar.</p>	<p>A. La jamba mural no se fijó en su lugar con sellador 100 % de silicona. B. No se ha limpiado la pared correctamente. C. La pared tiene una superficie o textura áspera.</p>	<p>A. Aplique sellador 100 % de silicona a lo largo de la superficie interior y exterior de la jamba mural. Deje que el sellador de silicona se seque durante 24 horas o según lo indique el fabricante de la silicona B. Comuníquese con el Centro de Atención al Cliente para solicitar piezas nuevas y un método alternativo para instalar la jamba mural y el sello. Para esto es necesario que la jamba mural y el sello sean retirados con cuidado, o se requerirán piezas de repuesto. C. Comuníquese con el Centro de Atención al Cliente para solicitar piezas nuevas y un método alternativo para instalar la jamba mural y el sello. Para esto es necesario que la jamba mural y el sello sean retirados con cuidado, o se requerirán piezas de repuesto.</p>

[kohler.com](https://www.kohler.com)

THE BOLD LOOK
OF **KOHLER**®

©2024 Kohler Co.



1582332-2

1582332-2-A