

Installation Instructions

Sliding Shower Door

Record your model number:
Noter le numéro de modèle:
Anoté su número de modelo: _____

Français, page 30
Español, página 58

KOHLER[®]

Thank You for Choosing KOHLER

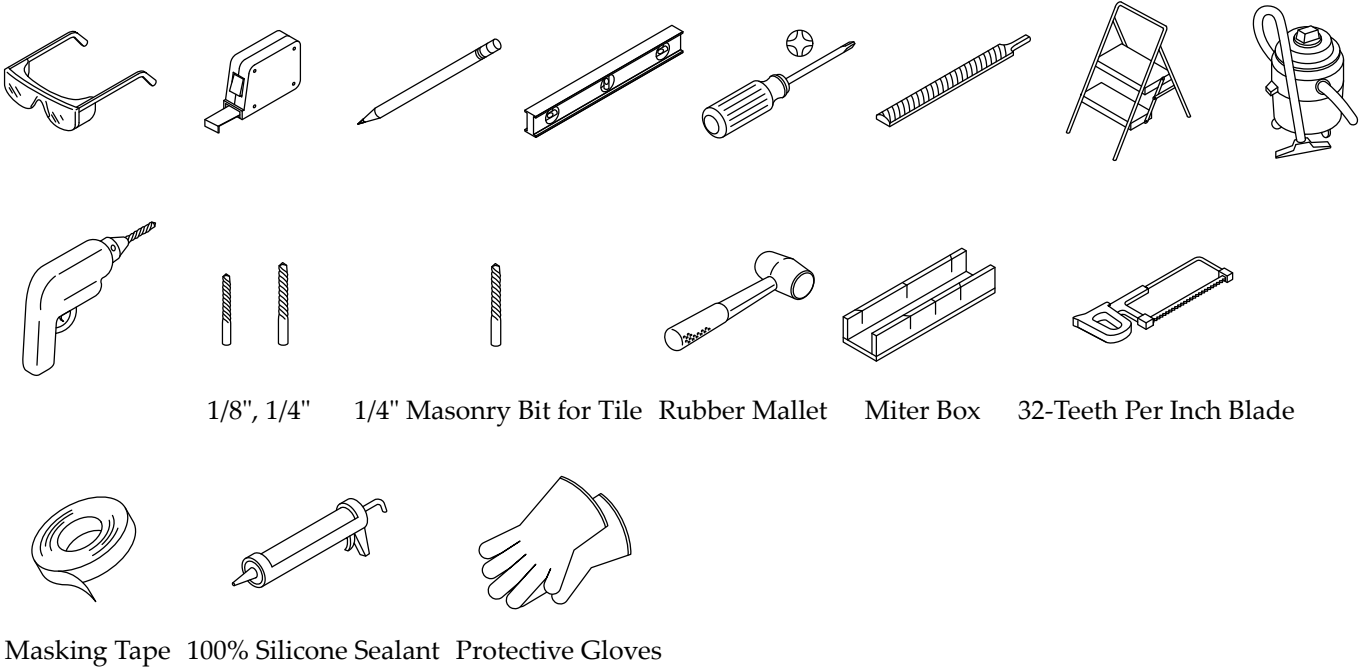
Need help? Contact our Customer Care Center.

- USA/Canada: 1-800-4KOHLER (1-800-456-4537) Mexico: 001-800-456-4537
- Service parts: kohler.com/serviceparts
- Care and cleaning: kohler.com/clean
- Patents: kohlercompany.com/patents








Warranty

This product is covered under the **KOHLER® Bath and Shower Doors Ten-Year Limited Warranty**, found at kohler.com/warranty. For a hardcopy of warranty terms, contact the Customer Care Center.

Tools and Materials



Before You Begin

-  **WARNING: Risk of serious injury.** Damage before installation can result in glass shattering. Inspect the glass and all parts for damage before installation.
-  **WARNING: Risk of serious injury.** Improper installation can result in glass shattering. Follow all installation instructions.
-  **WARNING: Risk of serious injury.** Do not cut tempered glass. Tempered glass will shatter if cut.
-  **WARNING: Risk of serious injury.** Shower door panels can shatter. Regularly inspect the glass and all parts for damage, missing, or loose parts.
-  **WARNING: Risk of serious injury.** Always wear safety glasses while cutting and drilling.
-  **CAUTION: Risk of personal injury.** Tempered glass should not contact hard surfaces or the glass may shatter. Do not touch the edge of the tempered glass panel with tools or any hard objects.
-  **CAUTION: Risk of personal injury.** Tempered glass may shatter. Wear long sleeves and protective clothing to prevent injury in the event of shattered glass.

IMPORTANT! Leave this manual for the end user. Read all instructions before installing or using this product.

IMPORTANT! This door is designed to accommodate walls that are up to 3/8" (10 mm) out of plumb. Verify that the area that the door will be attached to is within 3/8" (10 mm) of plumb. The door may not function properly if the wall is more than 3/8" (10 mm) out of plumb.

IMPORTANT! Do not remove the corner protectors from the door panels until the door panels are installed.

Cover the drain with tape to prevent the loss of small parts.

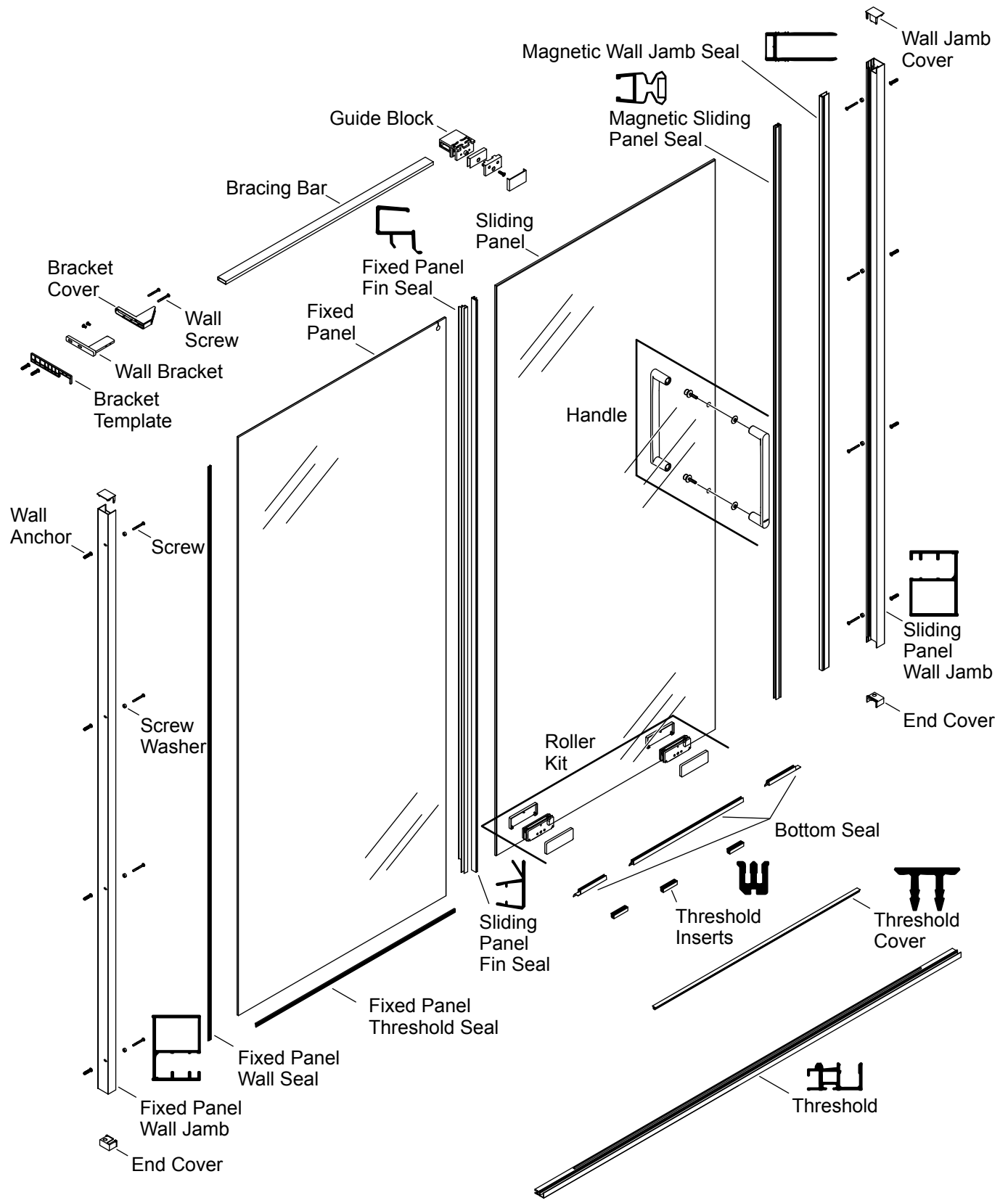
Identify all parts before installation. Inspect for damage.

Follow the silicone sealant manufacturer's instructions for application and curing time.

Two people should perform this installation.

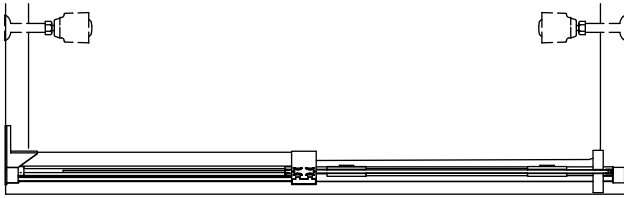
The fixed panel should be installed on the opposite side of the showerhead.

Parts Identification

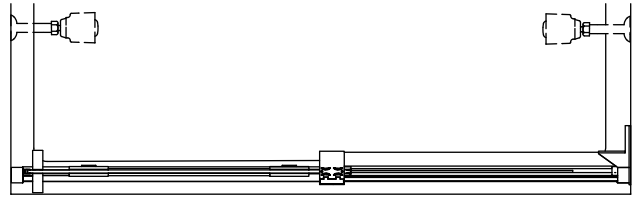


1. Determine the Door Configuration

Door Orientation

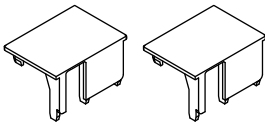


Left Side Fixed Panel

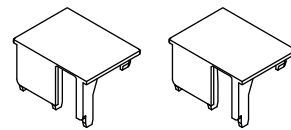


Right Side Fixed Panel

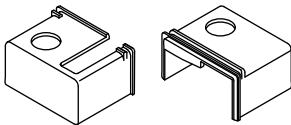
Wall Jamb Covers



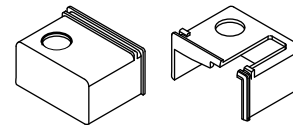
Wall Jamb Covers



End Covers



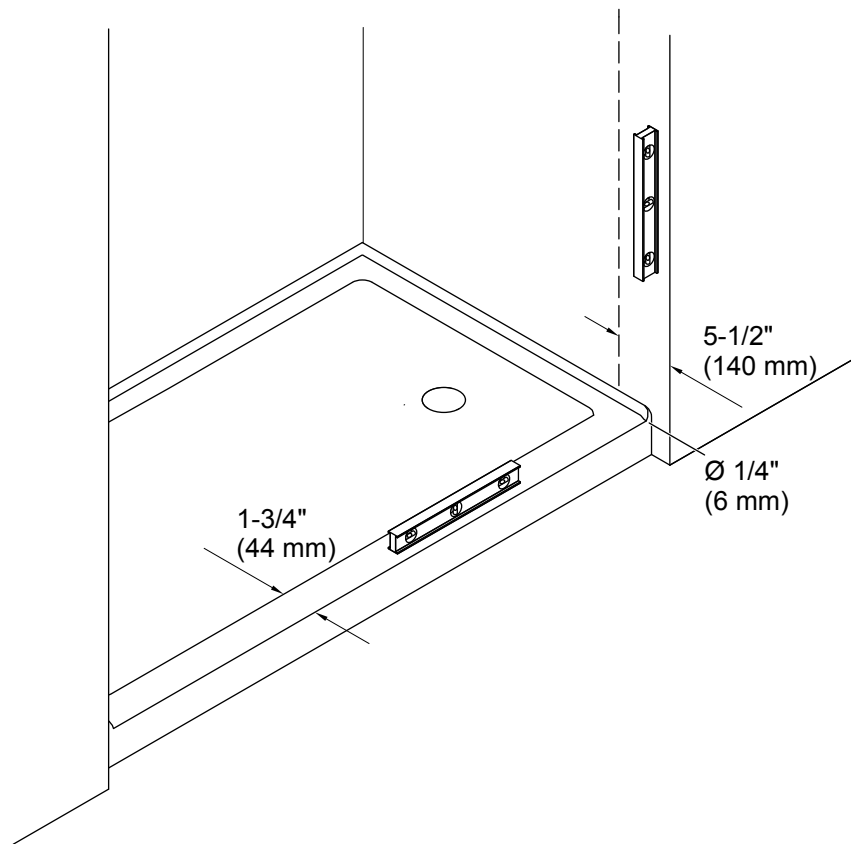
End Covers



IMPORTANT! Left fixed panel configuration is shown in the installation steps unless otherwise indicated.

- Determine whether the door will be installed with the fixed panel on the right or the left side of the shower.
- Select the end covers and wall jamb covers that correspond to the door configuration.

2. Confirm Ledge and Wall Compatibility



IMPORTANT! For proper door alignment and operation, confirm that the shower base/bath ledge and walls meet the following requirements. Do not install the door if these requirements are not met.

There must be at least 5-1/2" (140 mm) of flat surface on the shower base/bath walls.

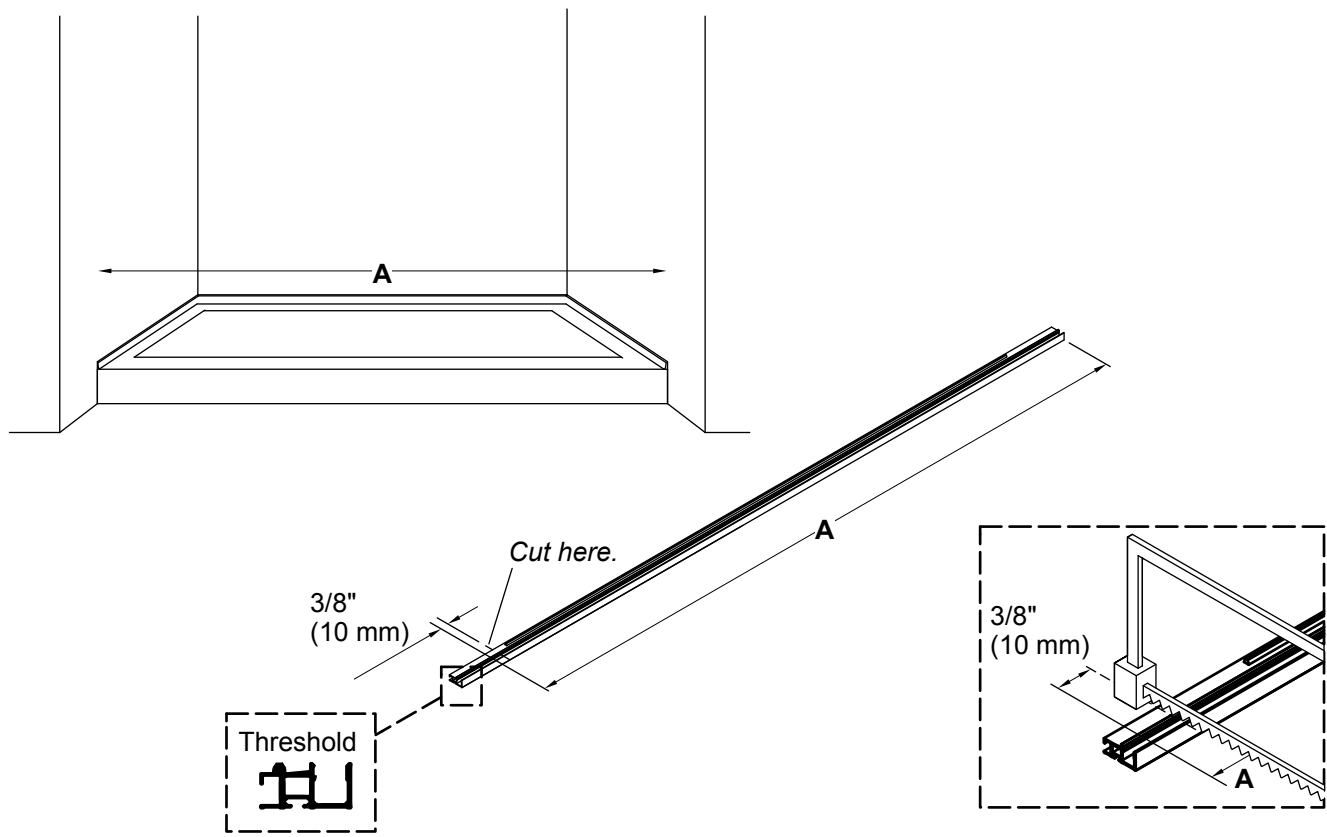
There must be at least 1-3/4" (44 mm) of flat surface on the shower base/bath ledge.

Walls must be within 3/8" (10 mm) of plumb.

The shower base/bath ledge must be level between the walls.

The radius of the shower base/bath ledge where it meets the wall must be 1/4" (6 mm) or less.

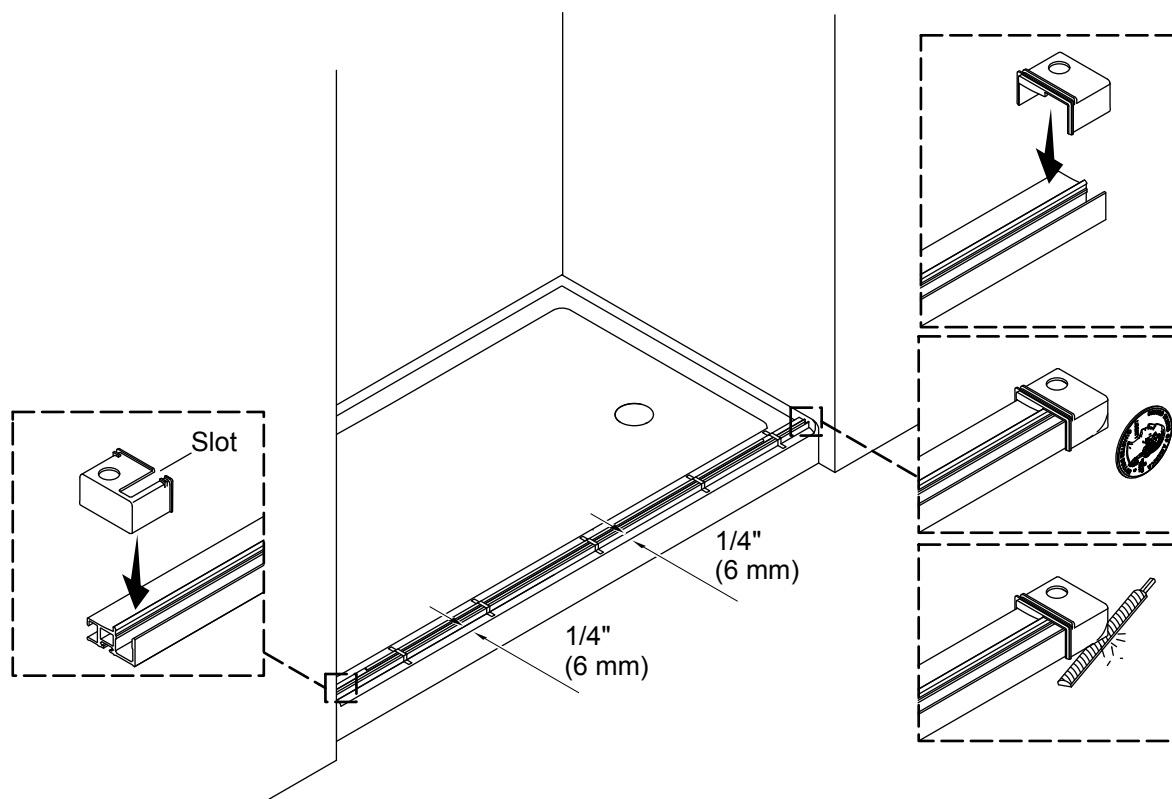
3. Measure and Cut the Threshold



⚠ WARNING: Risk of serious injury. Always wear safety glasses while cutting and drilling.

- Use a drop cloth to protect the shower surface.
- Measure distance "A" between the shower walls and mark the distance on the threshold.
- Measure 3/8" (10 mm) from "A" and make a second mark on the threshold, as shown.
- Cut the threshold at the second mark and file any rough edges.

4. Position the Threshold



NOTICE: The threshold must sit on a flat surface.

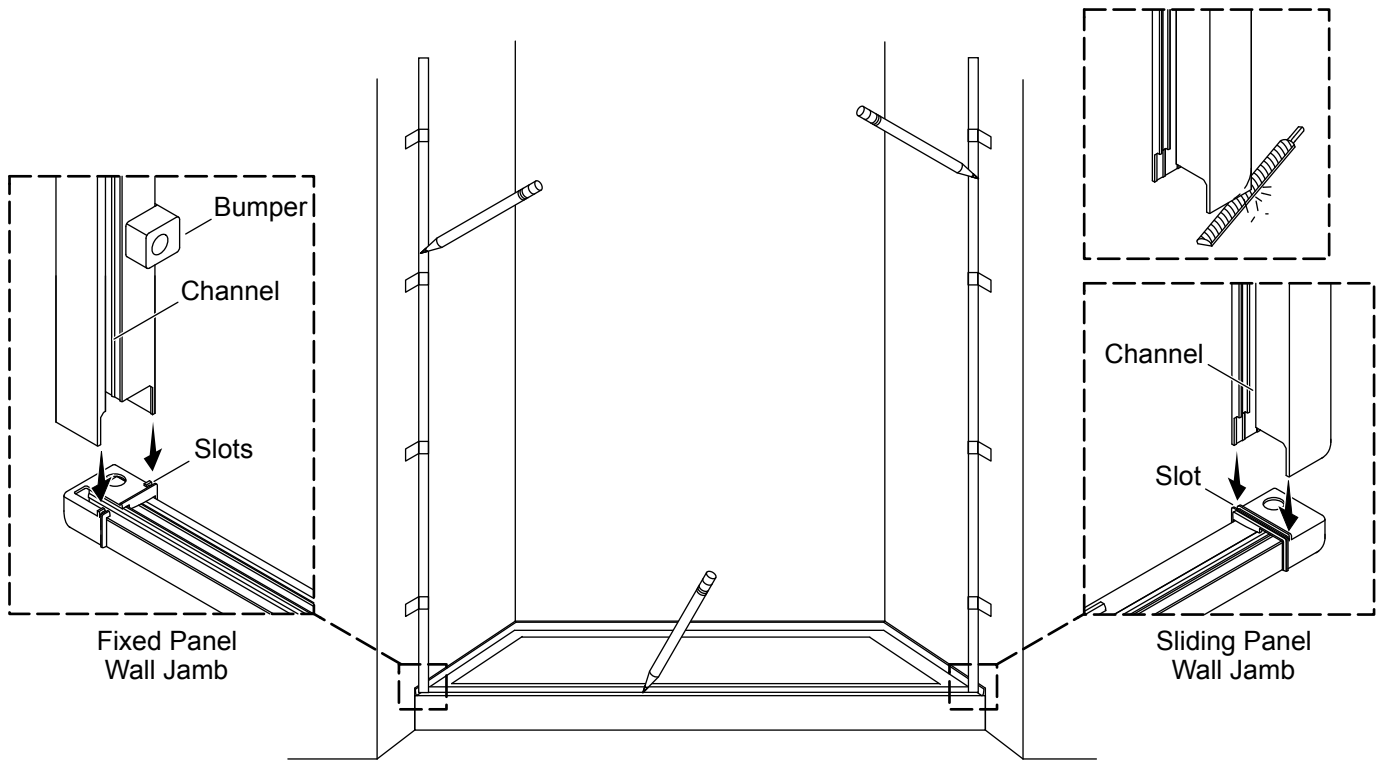
- Align the threshold 1/4" (6 mm) from the shower base/bath ledge along the entire length and mark the location.
- Tape the threshold securely in place along the mark, centered between the walls.

NOTE: Select the correct end covers according to the door's orientation as shown in the "Determine the Door Configuration" section.

NOTE: The end cover with the slot installs on the side with the fixed panel.

- Press an end cover onto each end of the threshold.
- If needed, file the ends of the threshold and the end covers to fit against the shower walls. Use a coin to match and transfer the corner radius.

5. Position the Wall Jambs



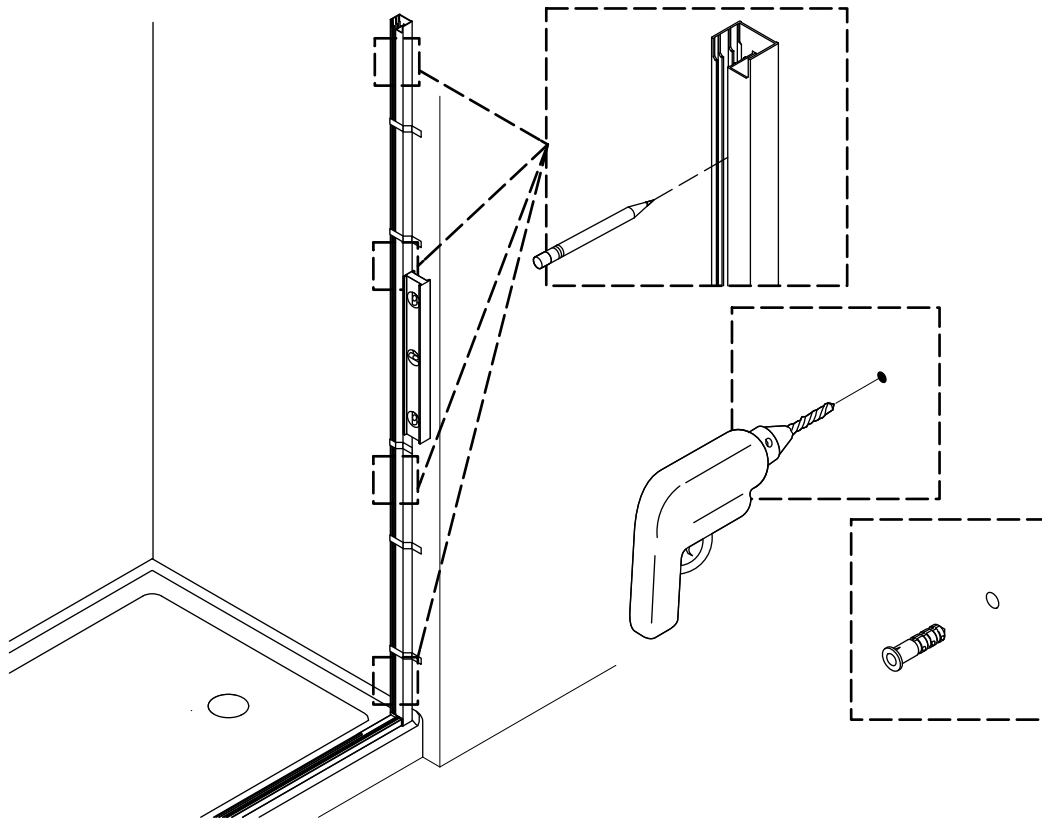
NOTE: The channel on the fixed panel wall jamb will be closer to the exterior of the shower.

NOTE: The channel on the sliding panel wall jamb will be closer to the interior of the shower.

NOTE: The wall jambs will position into the slots on the end covers.

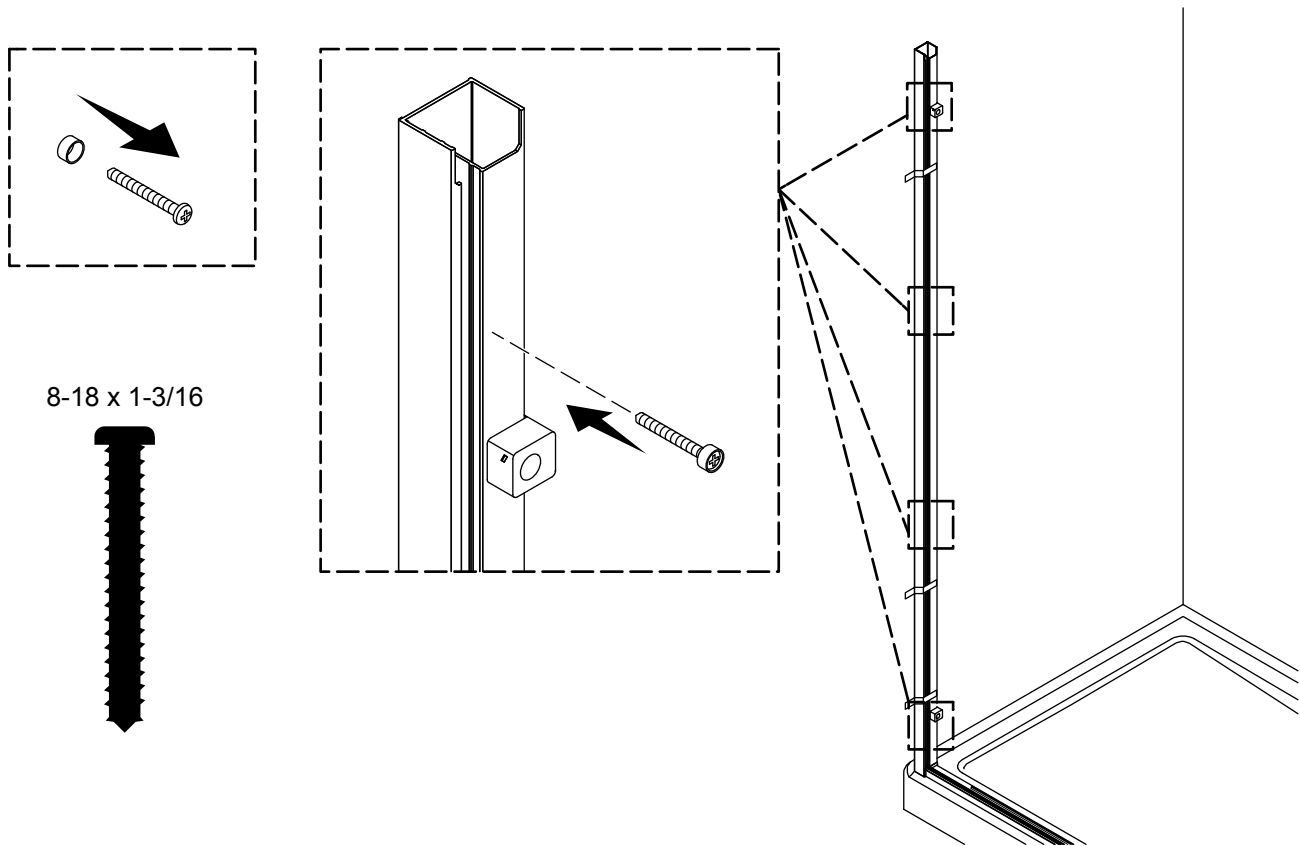
- Position the wall jamb containing bumpers onto the threshold on the fixed panel side against the wall.
- If needed, file the bottom of the wall jambs to match the corner radius of the shower wall.
- Plumb the wall jamb.
- Tape the wall jamb securely in place and mark the wall jamb location.
- Repeat for the second wall jamb.
- Verify that the threshold is parallel with the front of the shower base/bath ledge.

6. Mark the Wall Jamb Locations

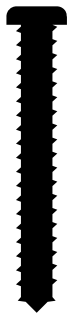


- Mark the anchor hole locations on each wall jamb with a pencil or drill bit.
- Remove both wall jambs and set the wall jambs aside.
- Drill a 1/4" hole at each marked location. Use a masonry bit for tile walls.
- Install the provided wall anchors. If necessary, gently tap the anchors until the anchors are flush against the wall.
- Thoroughly clean the shower base and walls.

7. Install the Wall Jambs



8-18 x 1-3/16



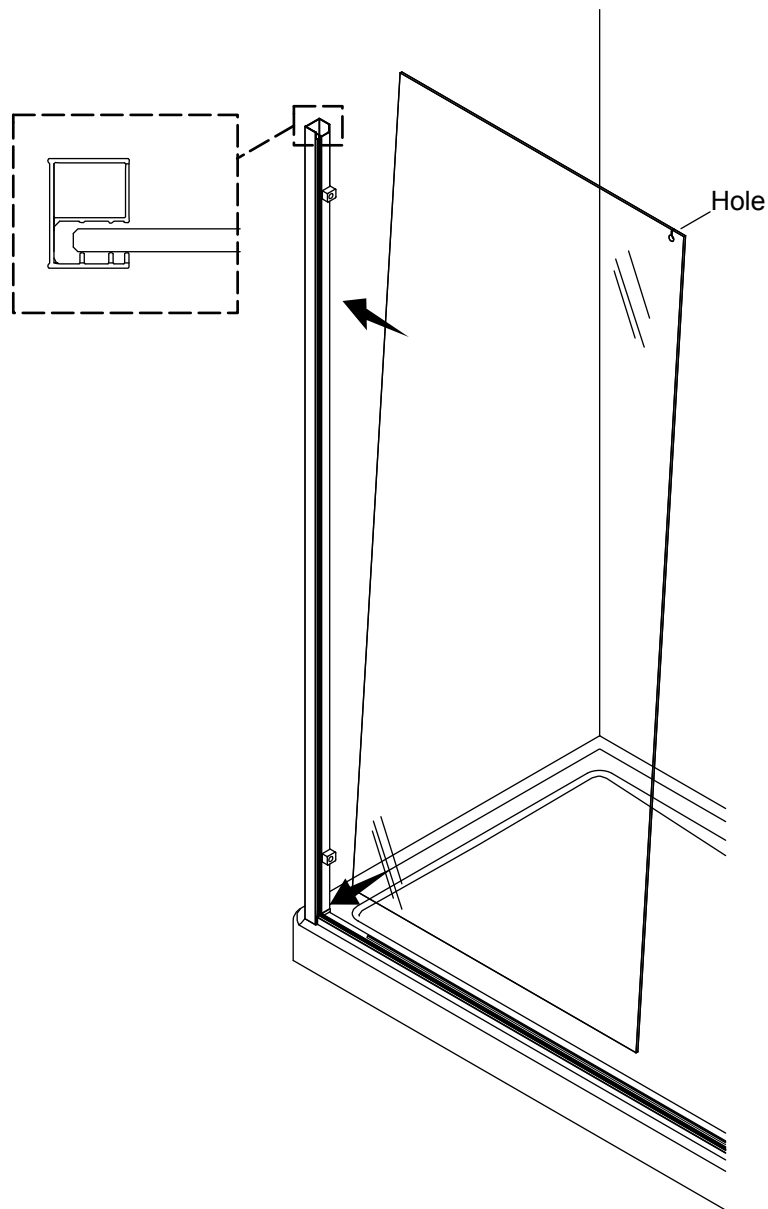
⚠ CAUTION: Risk of product damage. Installation of the screw washers is critical to prevent glass breakage.

- Reposition the fixed panel wall jamb, aligning with the anchor holes.
- Press a screw washer onto each screw until the screwhead is recessed into the screw washer.
- Secure the wall jamb with four #8-18 x 1-3/16" screws.

NOTE: Screw washers are not needed for the sliding panel wall jamb.

- Repeat for the second wall jamb.

8. Install the Fixed Panel

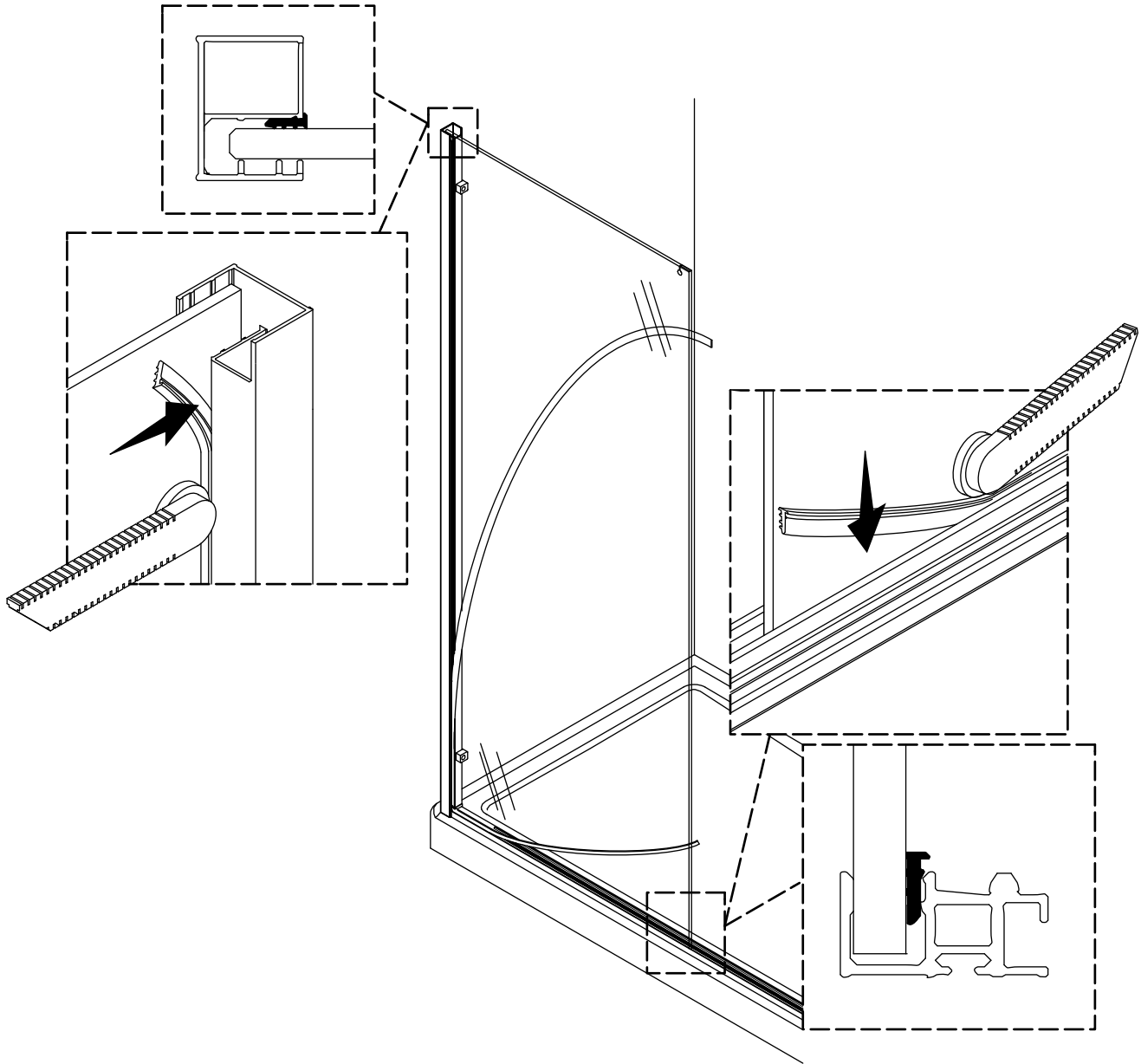


⚠ CAUTION: Risk of personal injury. Tempered glass should not contact hard surfaces or the glass may shatter. Do not touch the edge of the tempered glass panel with tools or any hard objects.

IMPORTANT! The hole on the fixed panel should be oriented as shown above.

- With assistance, install the fixed panel into the threshold and the fixed panel wall jamb until the panel contacts the screw washers.

9. Install the Wedge Seals

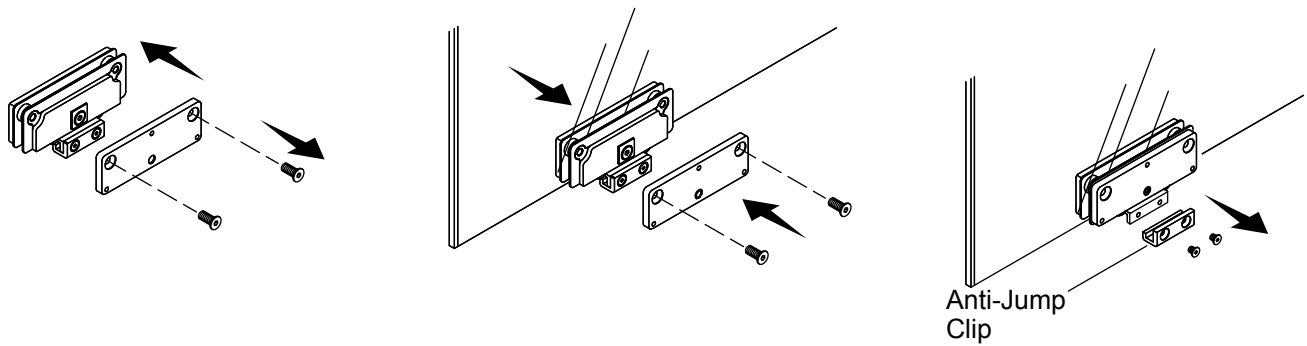


⚠ CAUTION: Risk of product damage. Use the provided installation tool to push the wedge seals into place. **Do not** use sharp objects to push the wedge seals into place.

NOTICE: Wedge seal installation should begin at the bottom inside corner of the fixed panel.

- From inside the shower, begin installing the short wedge seal at the bottom corner of the fixed panel.
- From inside the shower, begin installing the long wedge seal at the bottom corner of the fixed panel.
- Trim any excess length of the wedge seals that extend beyond the fixed panel.

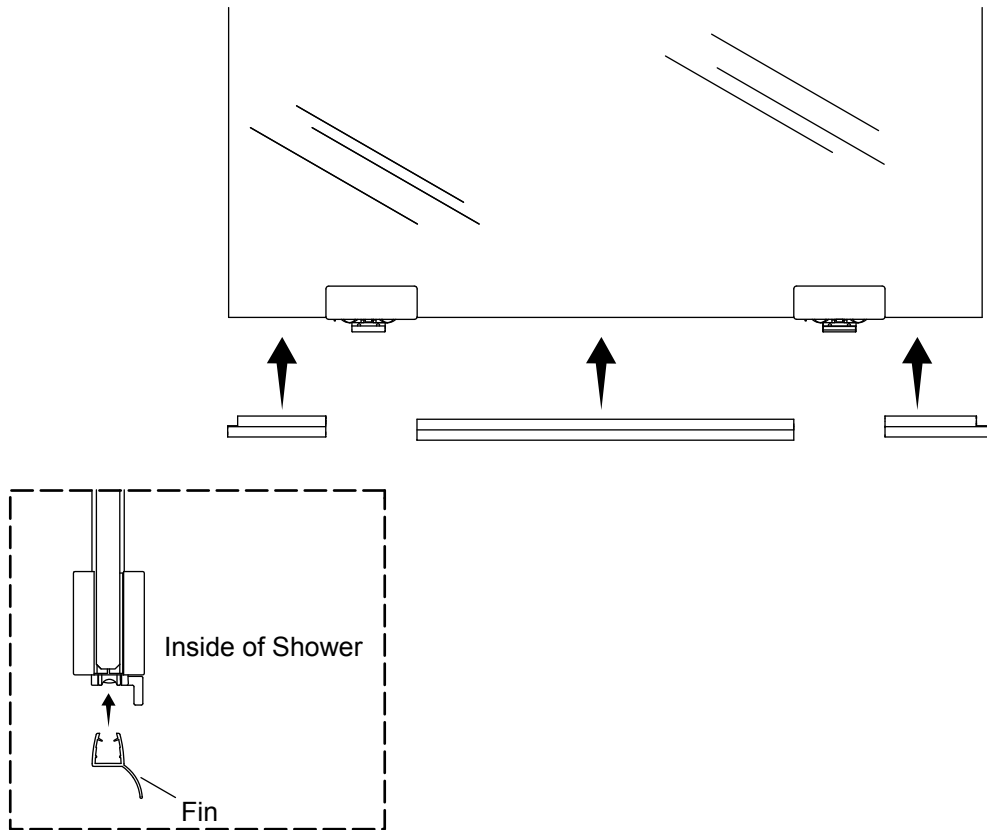
10. Install the Sliding Panel Rollers



IMPORTANT! The anti-jump clips should face the interior of the shower when the rollers are installed.

- Using the provided 3 mm hex wrench, disassemble each roller assembly.
- Reassemble each roller assembly onto the sliding panel.
- Using the provided 2.5 mm hex wrench, remove the anti-jump clip from each roller assembly and set aside for future installation.

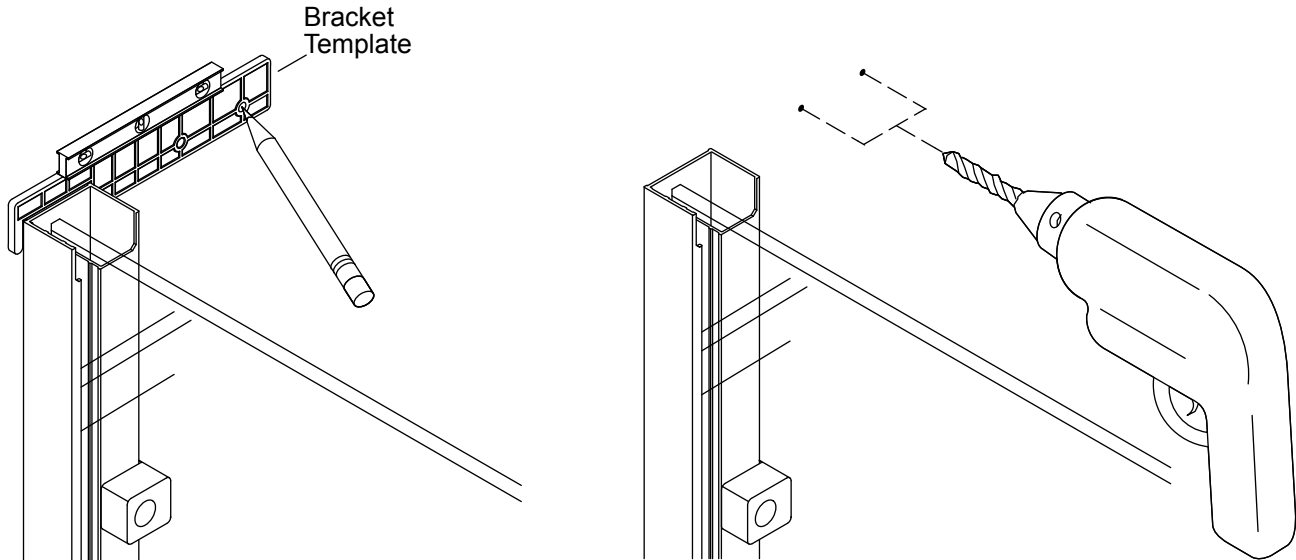
11. Install the Bottom Seals



NOTE: The fin will face the interior of the shower.

- Press the three seals onto the bottom of the sliding panel.

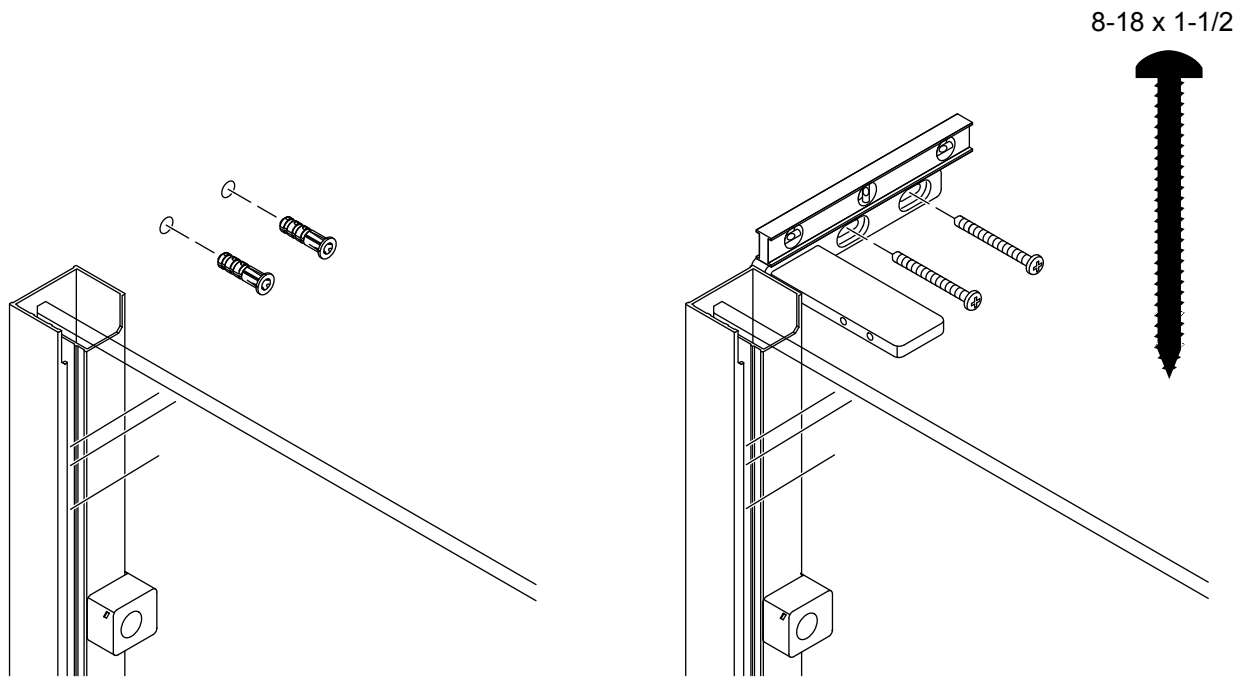
12. Drill Wall Bracket Holes



IMPORTANT! Hole locations for the wall bracket are critical. Verify that the holes are properly marked and drilled straight into the wall.

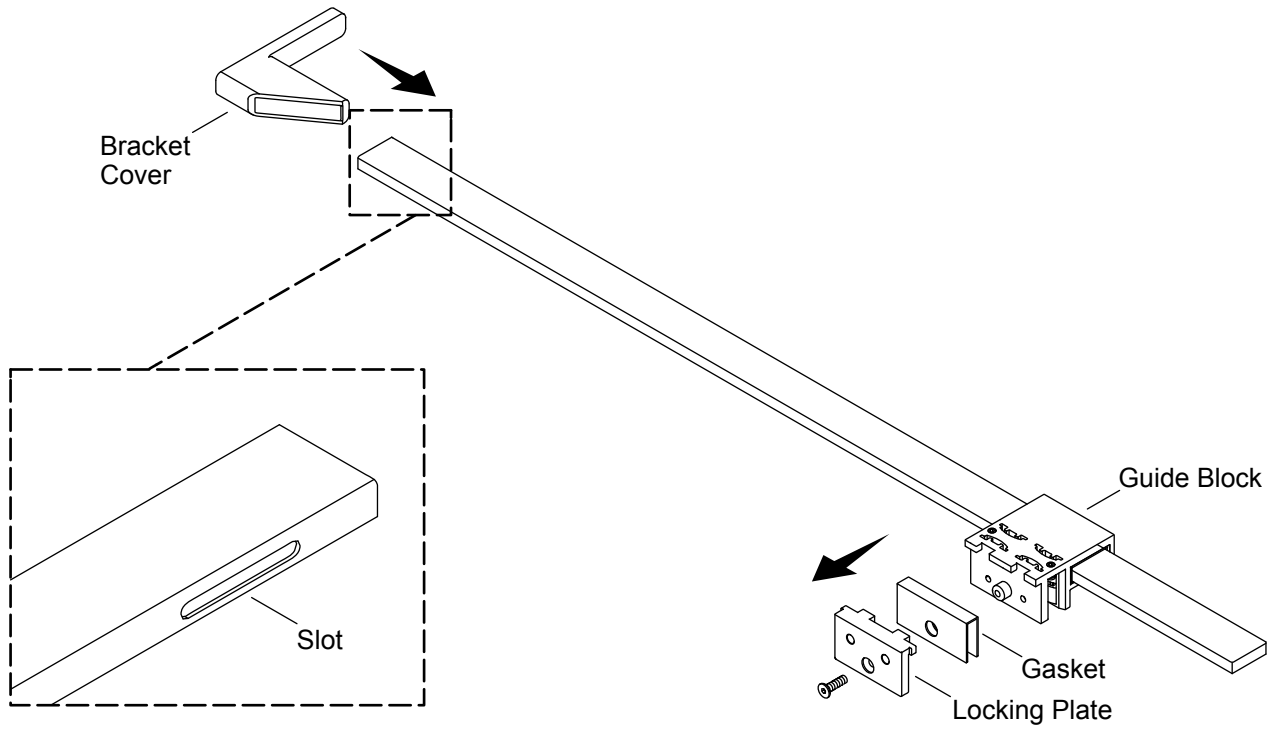
- Position the bracket template over the fixed panel wall jamb, pointing into the shower as shown.
- Verify that the template is fully seated over the fixed panel wall jamb, flat against the wall, and level.
- Mark the hole locations and remove the template.
- Drill 1/4" holes straight into the wall at the marked locations. **Verify that the drill is not at an angle when drilling.**

13. Install the Wall Bracket



- Install the provided wall anchors. Verify that the anchors are fully seated into the wall.
- Position the wall bracket over the wall anchors as shown.
- Secure the bracket using two #8-18 x 1-1/2" screws (provided).
- Verify that the wall bracket is level. Loosen the screws and adjust the position if needed.

14. Prepare the Bracing Bar

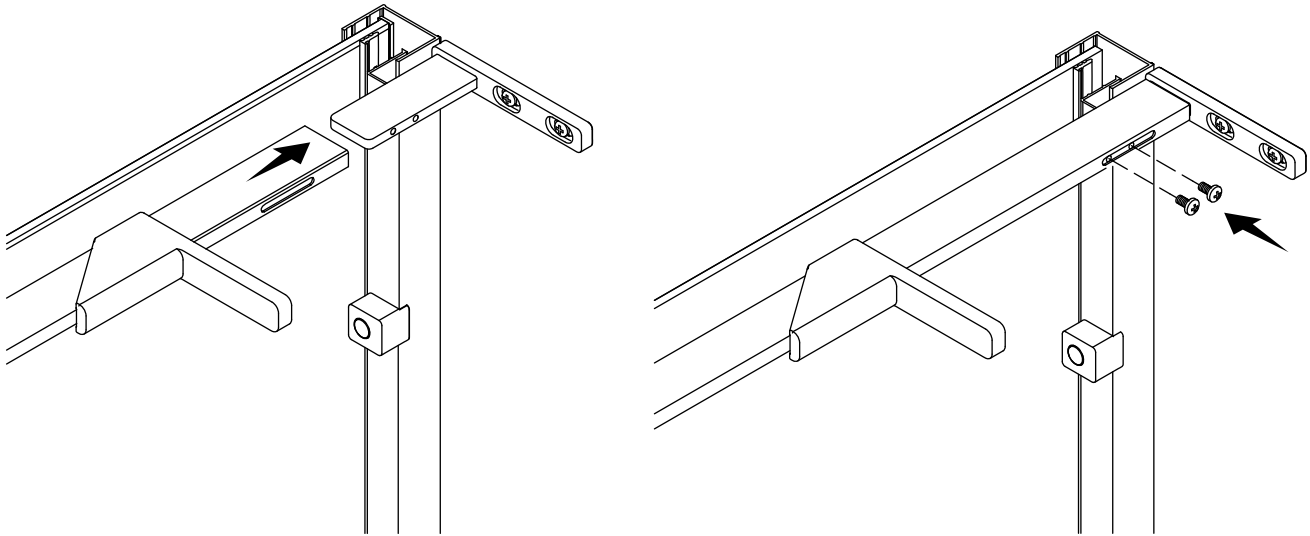


- Remove the locking plate and gasket from the guide block and set aside for future installation.

NOTE: The slot in the bracing bar faces the inside of the shower and points toward the wall.

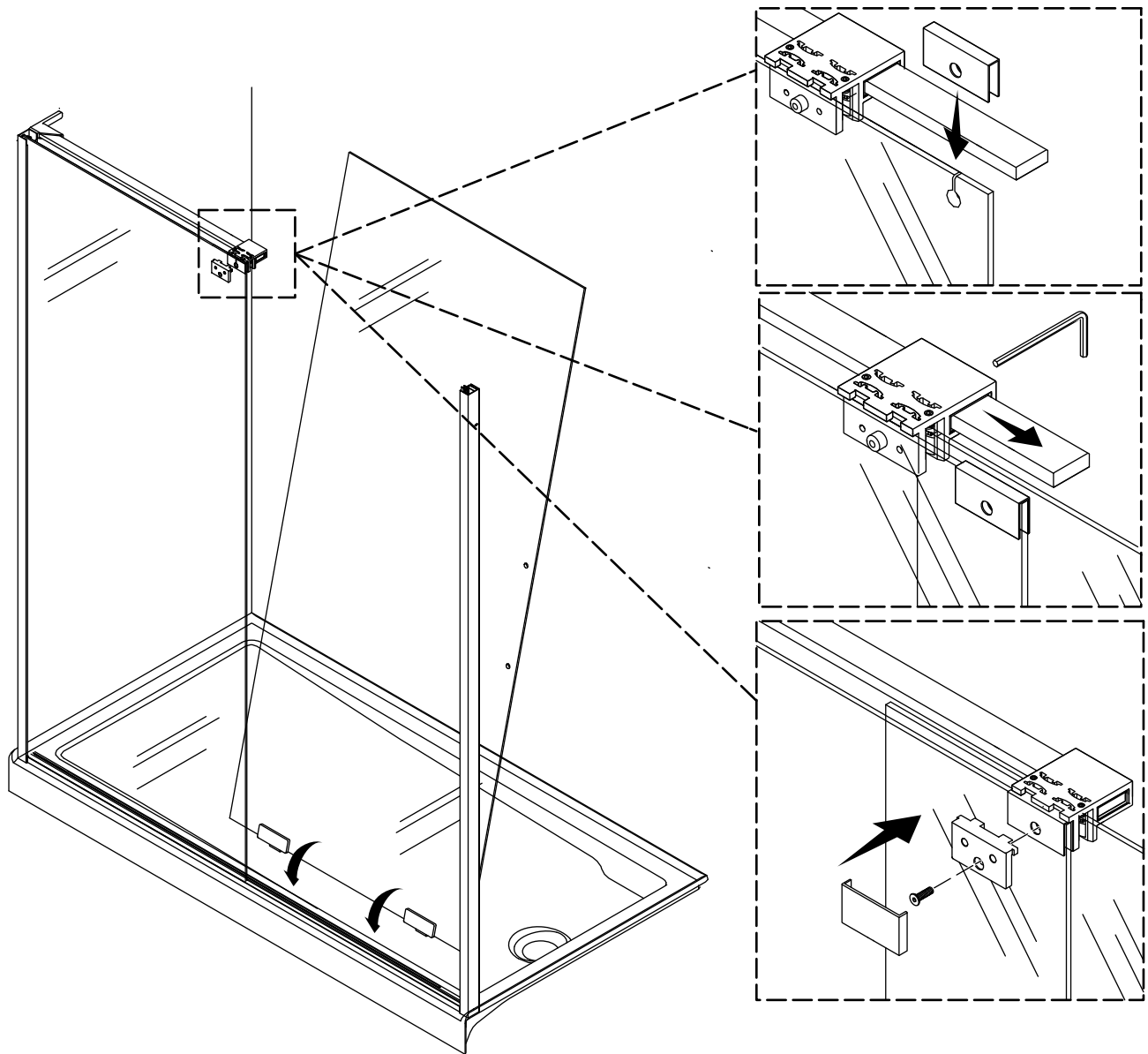
- Slide the bracket cover onto the end of the bracing bar.

15. Install the Bracing Bar



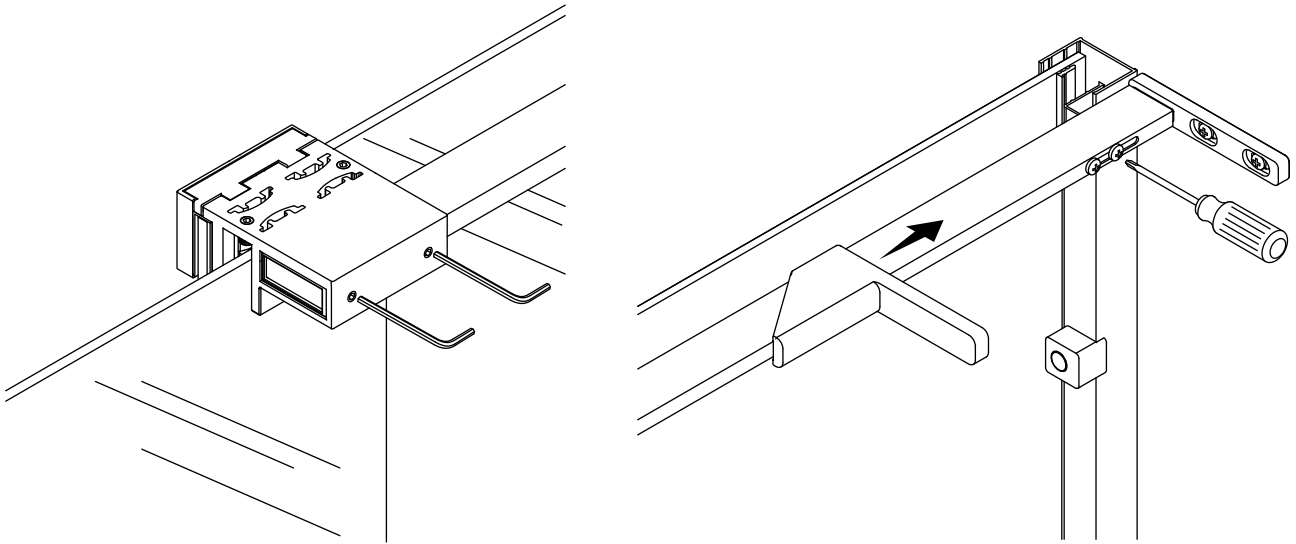
- Slide the bracing bar onto the wall bracket.
- Loosely secure two M4x8 mm screws (provided) through the slot in the bracing bar.

16. Install the Sliding Panel



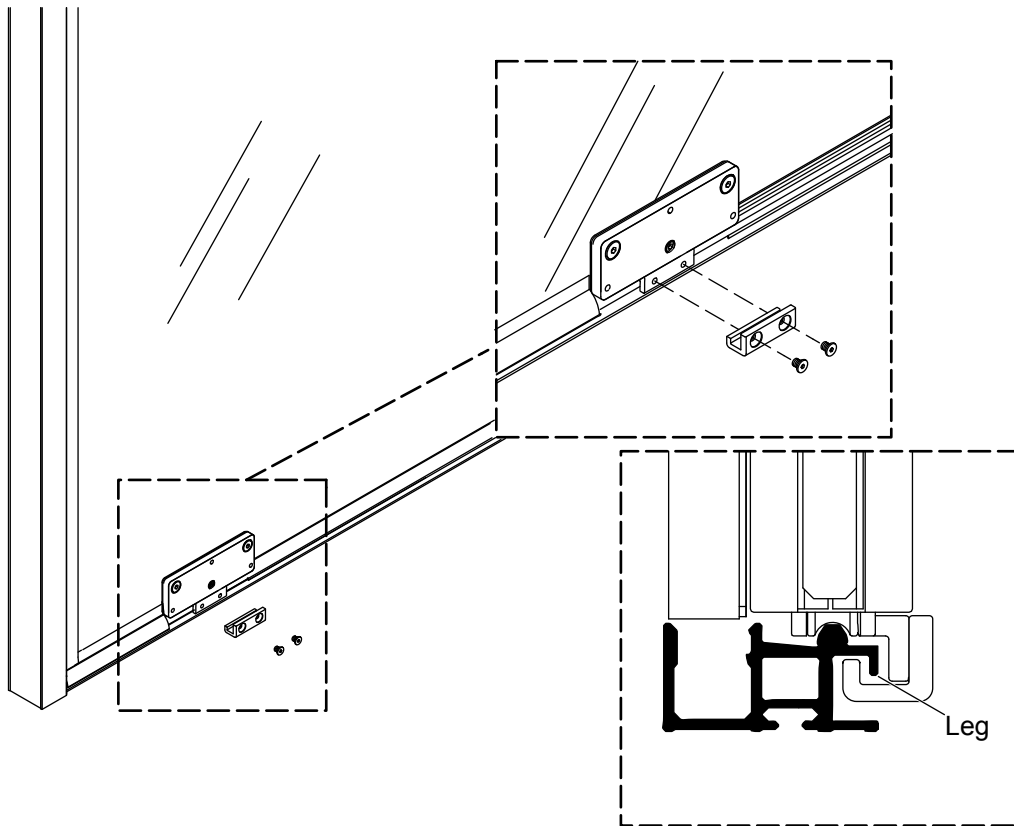
- Press the gasket onto the fixed panel aligning the hole in the gasket with the hole in the fixed panel.
- With assistance, set the sliding panel rollers into place on the threshold track and tip the panel to a vertical position.
- Loosen the two setscrews on the back of the guide block.
- Slide the guide block down the bracing bar until the channel slides over the sliding panel and the guide block aligns with the hole on the fixed panel.
- Using the provided 3 mm hex wrench, secure the locking plate onto the guide block through the hole on the fixed panel.
- Press the cover onto the locking plate.

17. Secure the Bracing Bar



- Verify the end of the bracing bar is flush with the guide block.
- Using the provided 2.5 mm hex wrench, tighten the two screws on the back of the guide block.
- Tighten the two screws on the wall bracket.
- Slide the bracket cover onto the wall bracket.

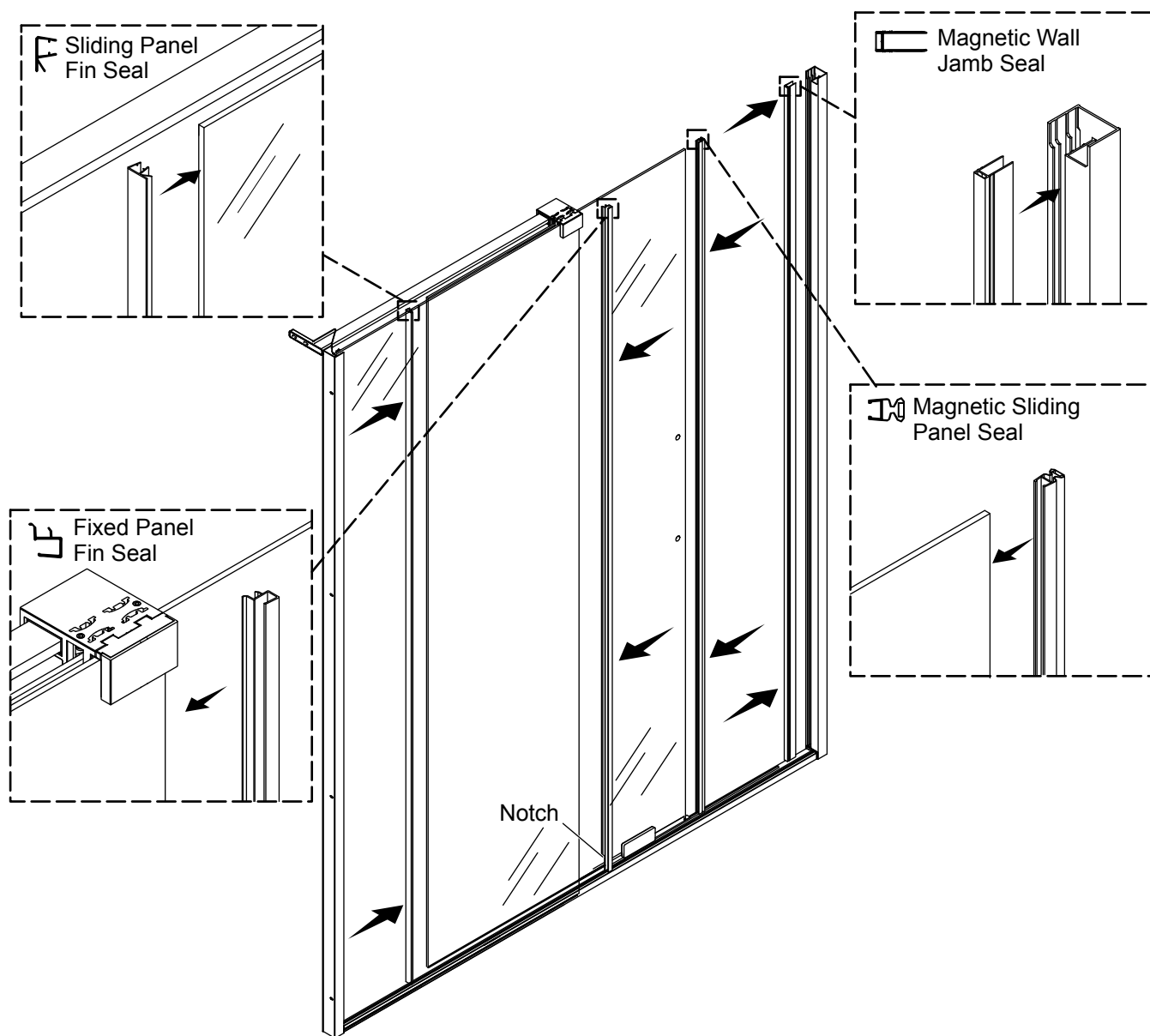
18. Install the Anti-Jump Clips



⚠ CAUTION: Risk of personal injury. Verify the anti-jump clips are engaged with the leg on the threshold.

□ Using the provided 2.5 mm hex wrench, install an anti-jump clip to each roller on the sliding panel.

19. Install the Remaining Seals

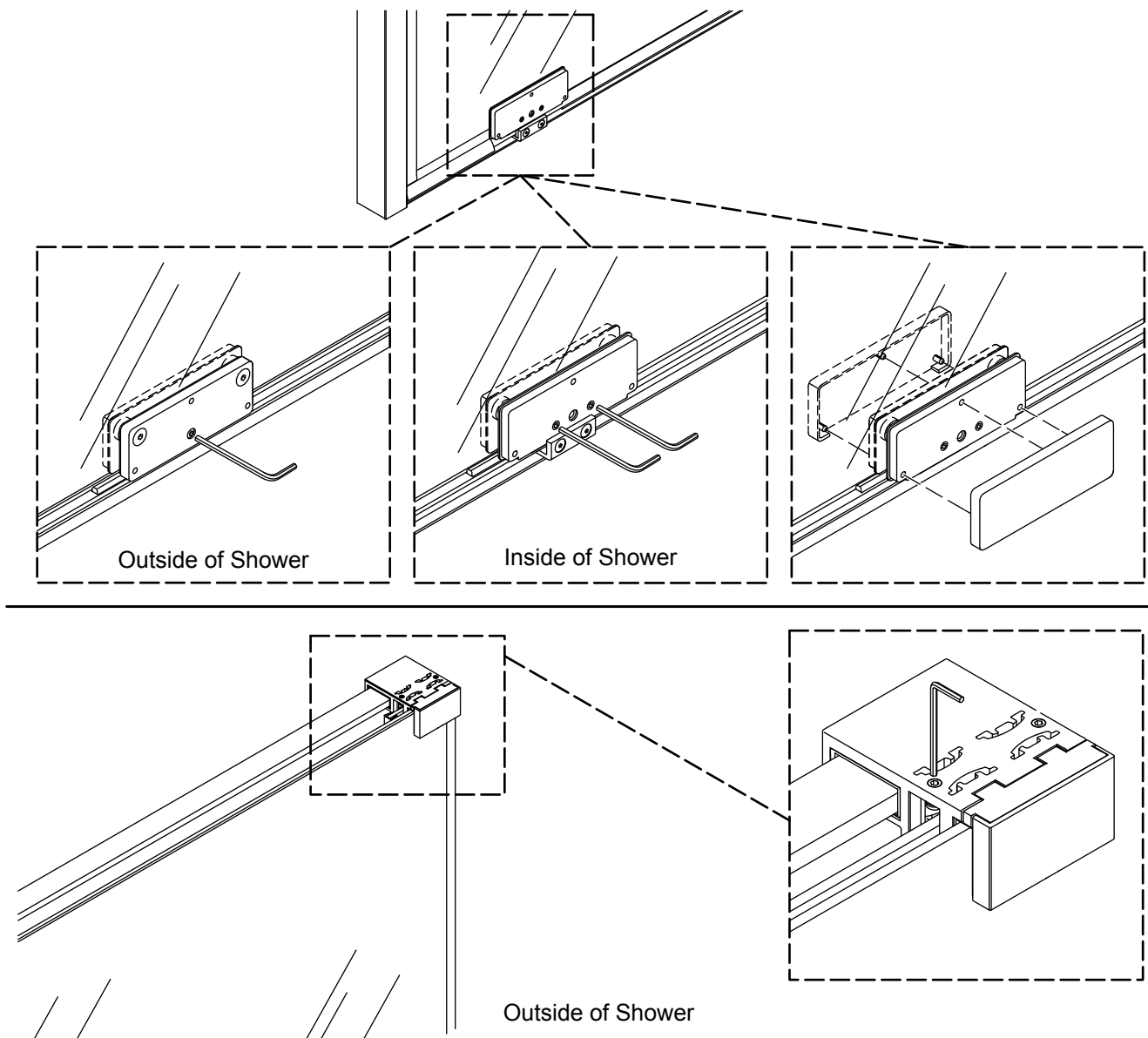


- Install a magnetic wall jamb seal into the channel on the sliding panel wall jamb.
- Install a magnetic sliding panel seal onto the sliding panel edge that contacts the sliding panel wall jamb.
- Install the fixed panel fin seal onto the edge of the fixed panel.

NOTE: The fixed panel fin seal will have a notch on each end. The top notch will be trimmed off.

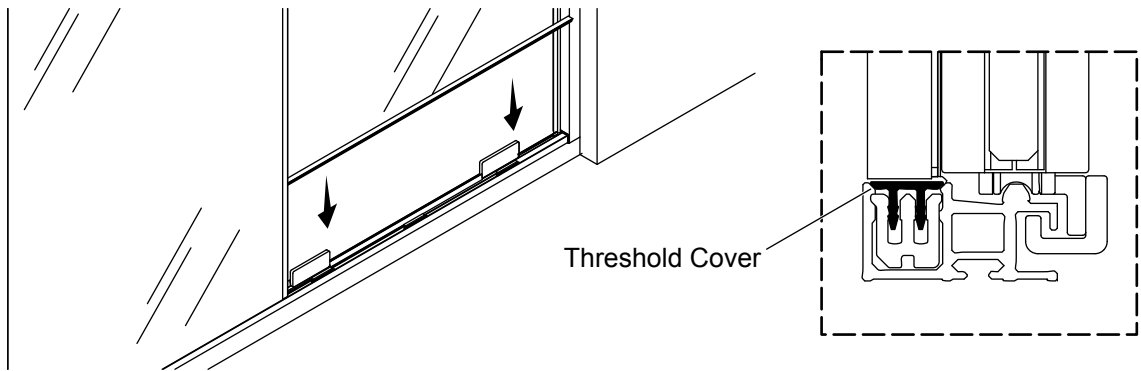
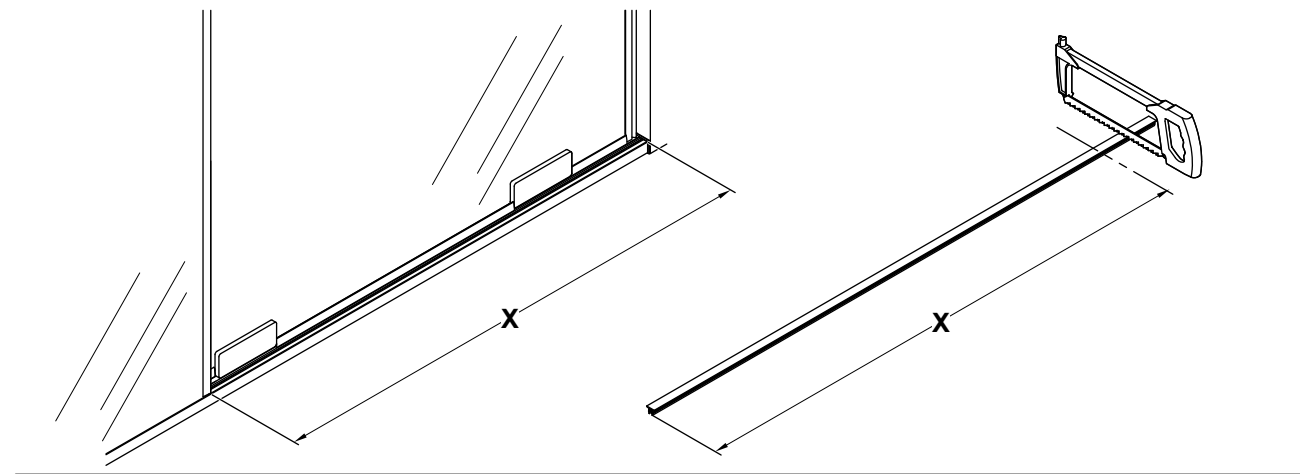
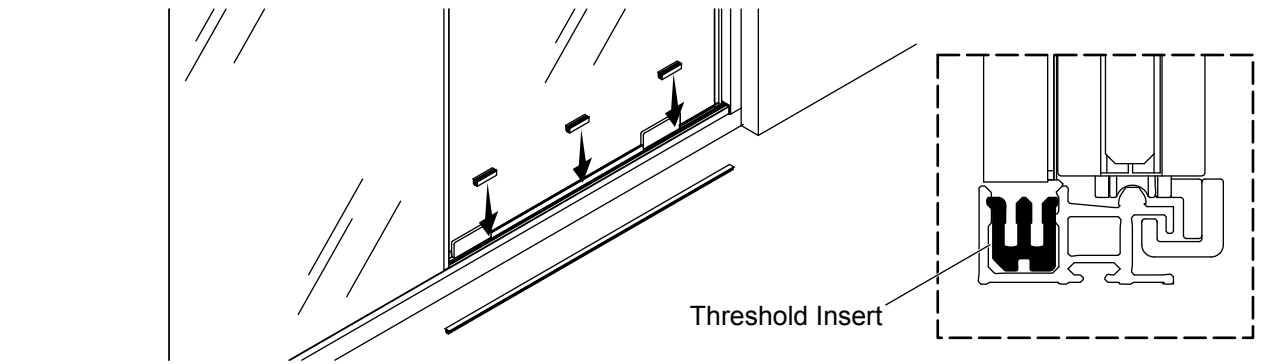
- Trim the top notch so the fixed panel fin seal fits below the guide block.
- Install the sliding panel fin seal onto the end of the sliding panel.

20. Adjust the Sliding Panel



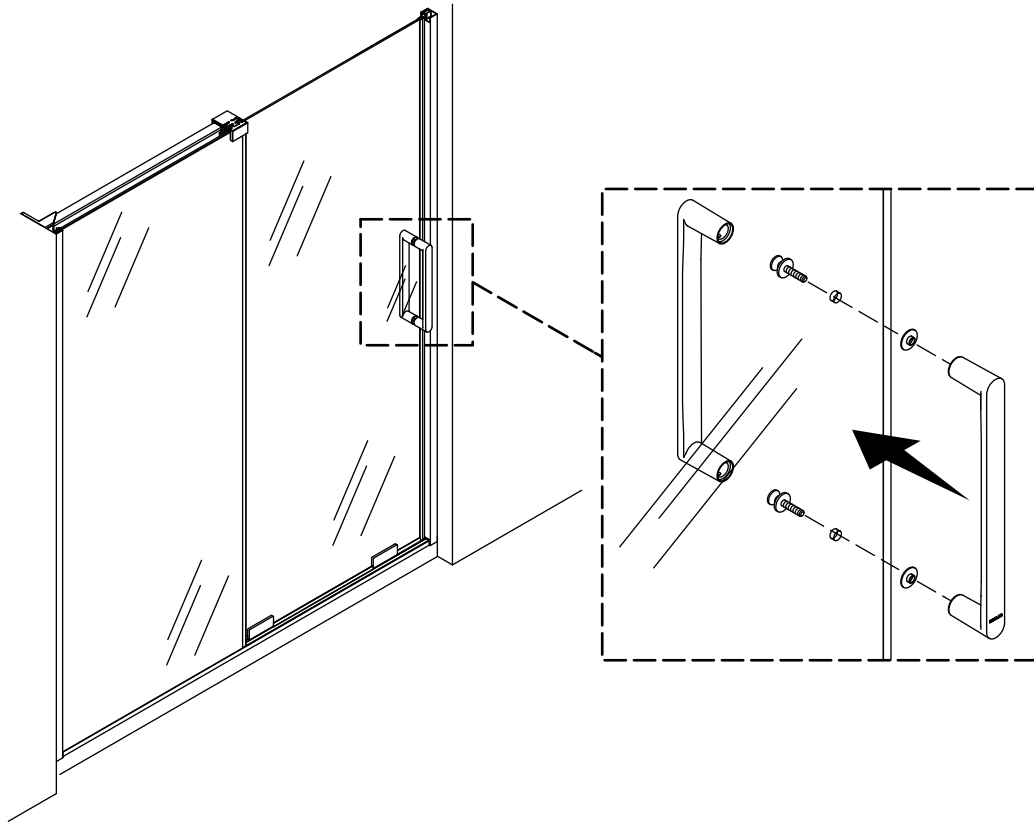
- On the shower exterior side of each roller, turn the setscrew to adjust the sliding panel using the provided 3 mm hex wrench.
- Adjust the sliding panel so the magnetic seal on the panel and the magnetic seal on the wall jamb fully contact each other.
- Tighten the two setscrews on the shower interior side of each roller to secure the sliding panel position. **Check the tightness of the rollers and anti-jump clips every 6 months.**
- Press a roller cover onto both sides of each roller assembly. If needed, remove the sliding panel to allow for enough room to install the exterior covers. Re-install the sliding panel.
- Using the provided 2.5 mm hex wrench, turn the setscrews on the top of the guide block until they are flush with the top of the guide block.
- Loosen the setscrews by a quarter turn if they contact the sliding panel.

21. Install the Threshold Cover



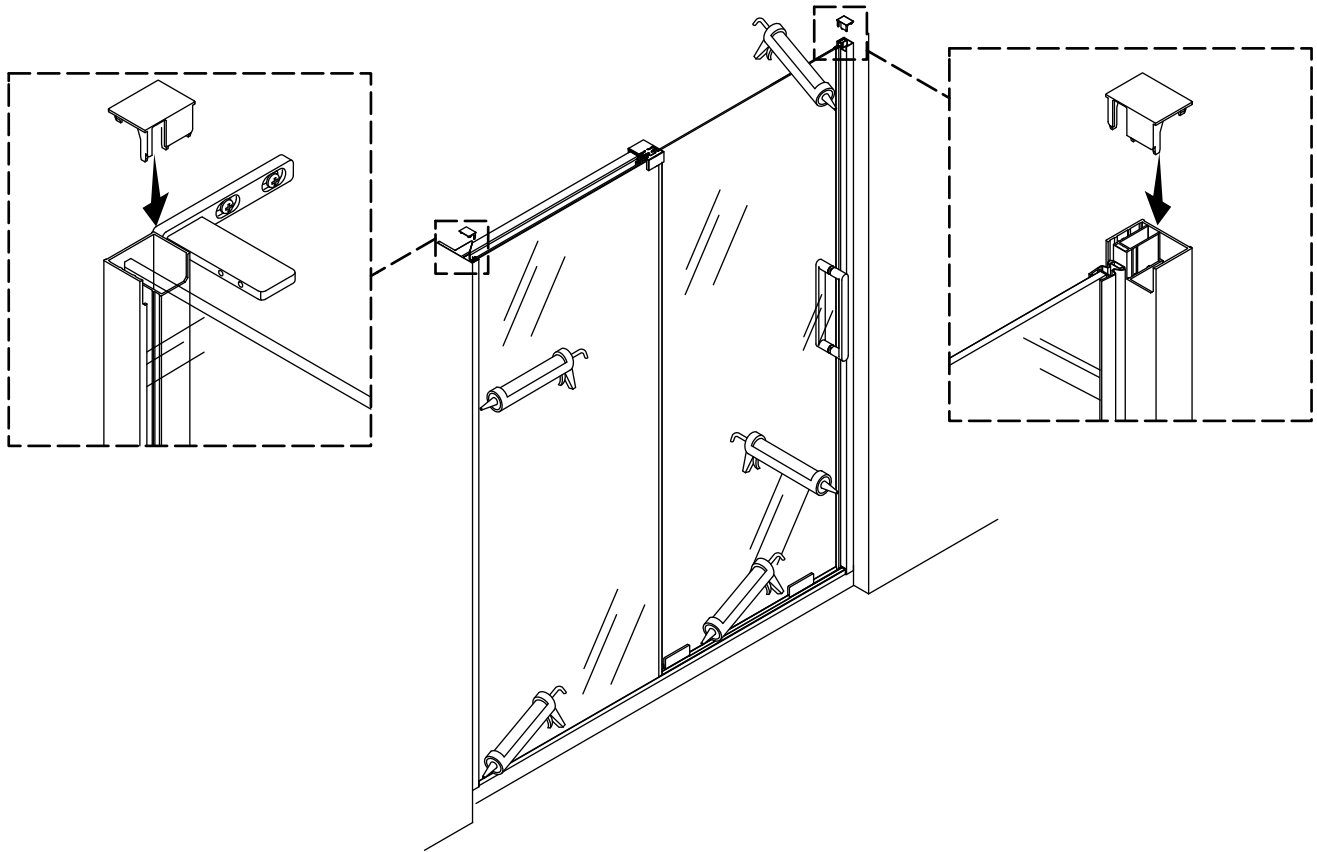
- Evenly space the clear threshold inserts and press them into the threshold.
- Measure from the edge of the fixed panel to the sliding panel wall jamb and mark the measurement on the threshold cover.
- Using a hand saw, cut the threshold cover at the marked line. File any rough edges.
- Press the threshold cover onto the threshold inserts until the threshold snaps into place.

22. Install the Handles



- Place a bushing into each side of each handle hole.
- From the inside of the shower, push a bolt through each handle hole.
- With the “KOHLER” lettering at the bottom, place the outside handle over the bolts. Thread the bolts into the handle.
- Tighten the bolts with a screwdriver. **Do not overtighten!**
- Install the inside handle over the bolts.
- Secure the inside handle with the two setscrews. Tighten with the provided 2.5 mm hex wrench.

23. Complete the Installation



NOTE: Select the correct wall jamb covers according to the door's orientation as shown in the "Determine the Door Configuration" section.

- Press a wall jamb cover into the top of each wall jamb.
- Apply 100% silicone sealant along the outside edge of the threshold.
- Apply 100% silicone sealant along the outside and inside edge of each wall jamb.

Troubleshooting

This troubleshooting guide is for general aid only. For service and installation issues or concerns, call 1-800-4KOHLER.

Symptoms	Probable Cause	Recommended Action
1. The door is noisy when opened or closed.	<p>A. The door panel is adjusted too high and is rubbing on the guide block.</p> <p>B. The rollers are loose.</p> <p>C. The rollers have worn.</p>	<p>A. Loosen the nylon setscrews on the top of the guide block 1/4 turn so that it is no longer contacting the top of the panel.</p> <p>B. Tighten the roller screws using the necessary tools and supplied hex wrench.</p> <p>C. Replace the rollers.</p>
2. The door is difficult to move or does not open.	<p>A. The door panel is adjusted too high and is rubbing on the guide block.</p> <p>B. The rollers are loose.</p> <p>C. The rollers have worn.</p>	<p>A. Loosen the nylon setscrews on the top of the guide block 1/4 turn so that it is no longer contacting the top of the panel.</p> <p>B. Tighten the roller screws using the necessary tools and supplied hex wrench.</p> <p>C. Replace the rollers.</p>
3. The bracket cover does not stay tight to the wall.	<p>A. The crush ribs are worn and no longer holding the cover to the wall.</p>	<p>A. Apply 100% silicone sealant between the bracket cover and the bracket. Allow the sealant to cure for 24 hours.</p>
4. The magnetic seal on the door panel does not align with the magnetic seal on the wall jamb.	<p>A. The door panel is not adjusted to match the wall jamb.</p>	<p>A. Adjust the rollers to align the door panel even with the wall jamb. This can be done by turning the adjustment screw of each roller.</p>
5. Water leaks.	<p>A. Water leaks under the threshold.</p> <p>B. Water leaks under a door panel.</p> <p>C. Water leaks around the wall jamb.</p> <p>D. Water leaks between the wall and wall jamb.</p> <p>E. Water leaks where the fixed panel and door panel overlap.</p>	<p>A. Apply 100% silicone sealant along the outside edge of the threshold. See the silicone sealant manufacturer's instructions before using the shower.</p> <p>B1. Adjust the rollers to lower the door panel closer to the shower ledge. Refer to the "Adjust the Sliding Panel" section.</p> <p>B2. Verify that the three bottom seals are installed on the bottom of the door panel.</p> <p>C1. Adjust the door panel so the magnetic seals are contacting the full height of the door.</p> <p>C2. Verify that the wedge seals are installed between the glass and wall jamb for the full height of the panel.</p> <p>D. Apply 100% silicone sealant where the wall meets the wall jamb, both inside and outside the shower. See silicone sealant manufacturer's instructions before using shower.</p> <p>E. Install a fin seal onto each panel according to the "Install the Remaining Seals" section. Verify that the fin seal is tight to the top of the threshold and even with the bottom of each door panel.</p>
6. The handle hits the fixed panel when the door is opened.	<p>A. The fixed panel is not fully engaged in the wall jamb.</p>	<p>A. Push the fixed panel into the wall jamb until the fixed panel contacts the washers around each screwhead.</p>

Symptoms	Probable Cause	Recommended Action
7. The fixed panel does not fit into the wall jamb.	A. The channel in the threshold does not align with the channel in the wall jamb.	A. Check the orientation of the threshold and wall jamb. The bumpers on the wall jamb will be facing into the shower. The channel with the threshold will be aligned with the channel in the wall jamb.

Instructions d'installation

Porte de douche coulissante

Merci d'avoir choisi KOHLER

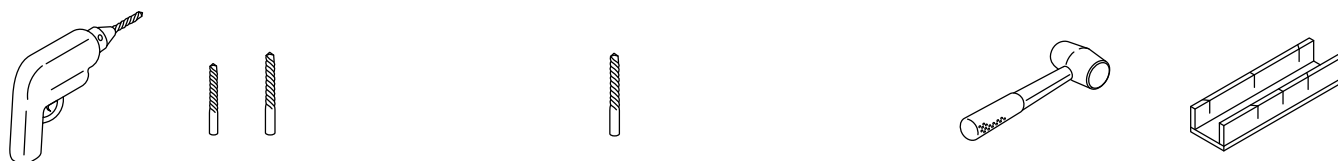
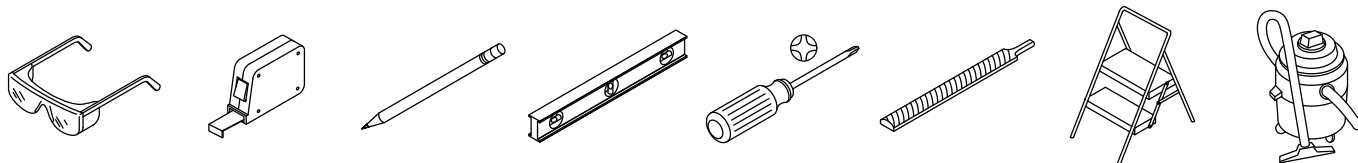
Besoin d'aide? Appeler notre centre de services à la clientèle.

- USA/Canada : 1-800-4KOHLER (1-800-456-4537) Mexique : 001-800-456-4537
- Pièces d'entretien : kohler.com/serviceparts
- Entretien et nettoyage : kohler.com/clean
- Brevets : kohlercompany.com/patents

Garantie

Ce produit est couvert sous la garantie limitée de dix ans des portes de baignoires et de douches KOHLER®, fournie sur le [site kohler.com/warranty](http://site.kohler.com/warranty). Pour obtenir une copie imprimée des termes de la garantie, s'adresser au centre de services à la clientèle.

Outils et matériel










1/8 po, 1/4 po Mèche de maçonnerie de 1/4 po pour carrelage Maillet en caoutchouc Boîte à ongles



Lame de 32 dents par pouce Ruban-cache Mastic d'étanchéité à la silicone à 100 % Gants de protection

Avant de commencer

-  **AVERTISSEMENT : Risque de blessures graves.** Des dommages avant l'installation peuvent entraîner des éclatements de verre. Inspecter le verre et toutes les pièces pour y rechercher des dommages éventuels avant l'installation.
-  **AVERTISSEMENT : Risque de blessures graves.** Une installation incorrecte peut entraîner des éclatements de verre. Suivre toutes les instructions d'installation.
-  **AVERTISSEMENT : Risque de blessures graves.** Ne pas couper le verre trempé. Le verre trempé éclate lorsqu'il est coupé.
-  **AVERTISSEMENT : Risque de blessures graves.** Les panneaux de porte de la douche peuvent éclater. Inspecter régulièrement le verre et toutes les pièces pour y rechercher des dommages, ou des pièces manquantes ou desserrées.
-  **AVERTISSEMENT : Risque de blessures graves.** Toujours porter des lunettes de sécurité pendant la découpe et le perçage.
-  **ATTENTION : Risque de blessures.** Le verre trempé ne doit pas entrer en contact avec des surfaces dures, car le verre risquerait de se briser. Ne pas toucher le bord du panneau de verre trempé avec des outils ou des objets durs.
-  **ATTENTION : Risque de blessures.** Le verre trempé pourrait éclater. Porter des manches longues et des vêtements de protection pour prévenir les blessures en cas d'éclatement de verre.

IMPORTANT! Laisser ce manuel pour l'utilisateur final. Lire toutes les instructions avant d'installer ou d'utiliser ce produit.

IMPORTANT! Cette porte est conçue pour s'adapter à des murs qui sont hors d'aplomb de moins de jusqu'à 3/8 po (10 mm). Vérifier que la zone sur laquelle la porte sera fixée est comprise dans un rayon de 3/8 po (10 mm) de l'aplomb. La porte risque de ne pas fonctionner correctement si le mur est hors d'aplomb de plus de 3/8 po (10 mm).

IMPORTANT! Ne pas retirer les protecteurs de coins des panneaux de porte avant d'avoir installé ces derniers.

Recouvrir le drain avec du ruban adhésif afin d'éviter de perdre les petites pièces.

Identifier toutes les pièces avant l'installation. Vérifier qu'elles sont en bon état.

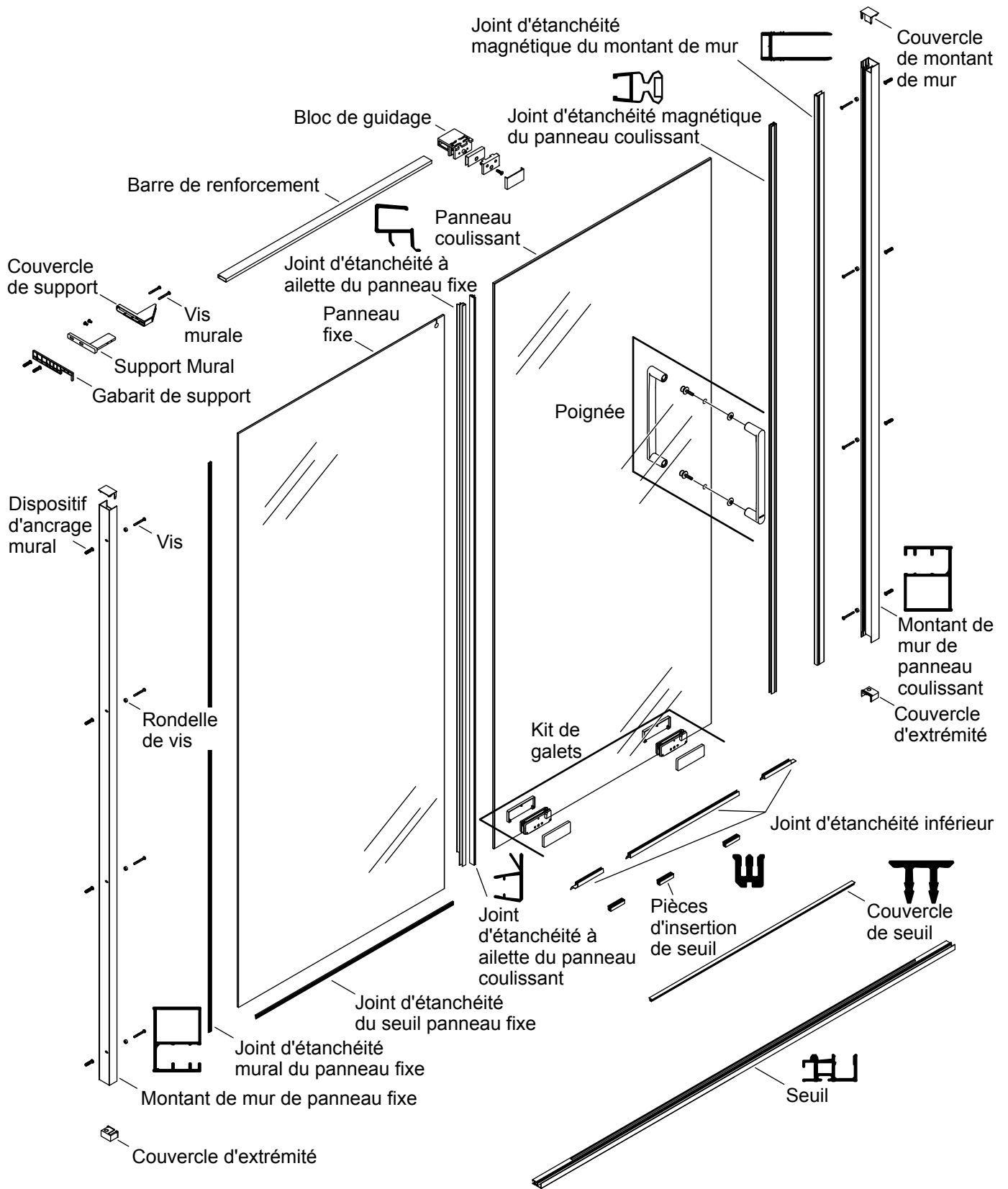
Suivre les instructions du fabricant du mastic d'étanchéité à la silicone en ce qui concerne l'application et le temps de prise.

Deux personnes doivent effectuer cette installation.

Le panneau fixe devrait être installé sur le côté se trouvant à l'opposé de la pomme de douche.

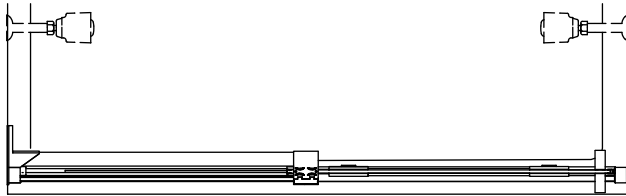
Identification des pièces

FR

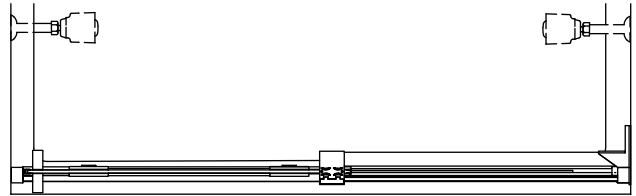


1. Déterminer la configuration de la porte

Orientation de la porte

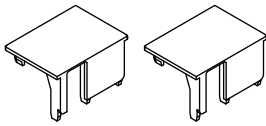


Panneau fixe du côté gauche

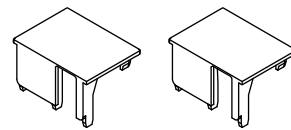


Panneau fixe du côté droit

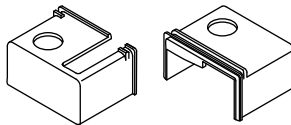
Couvercles de montant de mur



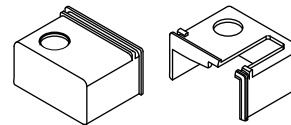
Couvercles de montant de mur



Couvercles d'extrémité



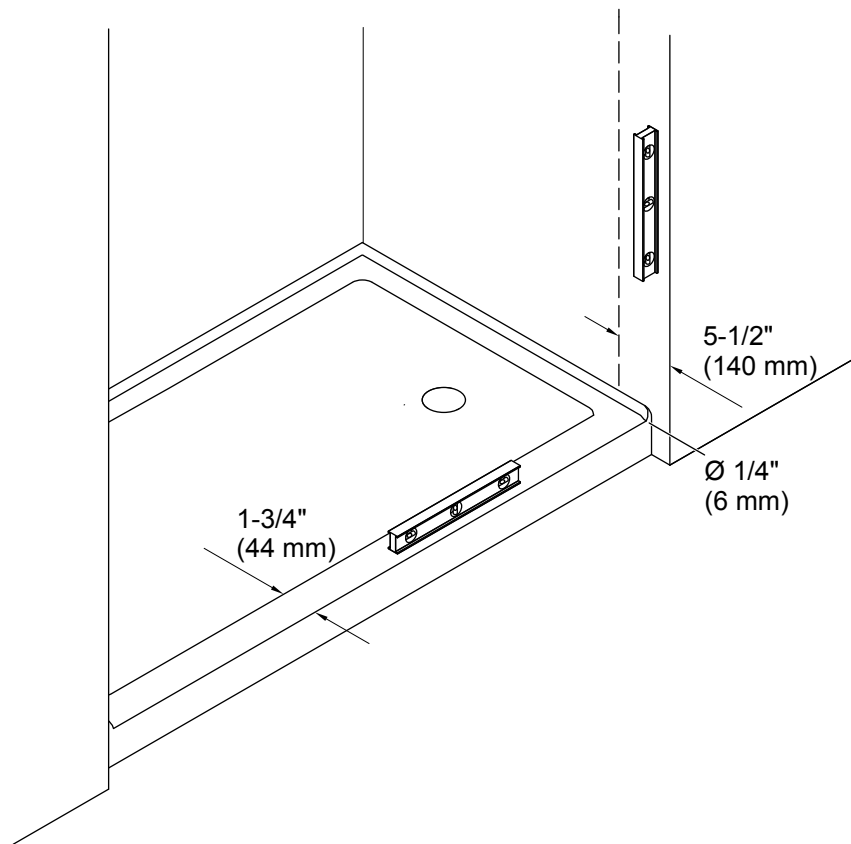
Couvercles d'extrémité



IMPORTANT! La configuration du panneau fixe côté gauche est illustrée dans les étapes d'installation sauf sur indication contraire.

- Déterminer si la porte sera installée avec le panneau fixe sur le côté droit ou le côté gauche de la douche.
- Sélectionner les couvercles d'extrémité et les couvercles de montant de mur qui correspondent à la configuration de la porte.

2. Vérifier la compatibilité entre le rebord et le mur



IMPORTANT! Pour un alignement et un fonctionnement adéquats, vérifier que la base de la douche/le rebord de la baignoire et les murs sont conformes aux conditions requises suivantes. Ne pas installer la porte si ces conditions requises ne sont pas présentes.

Une surface plate de 5-1/2 po (140 mm) au moins doit être présente sur les murs de la baignoire/base de douche.

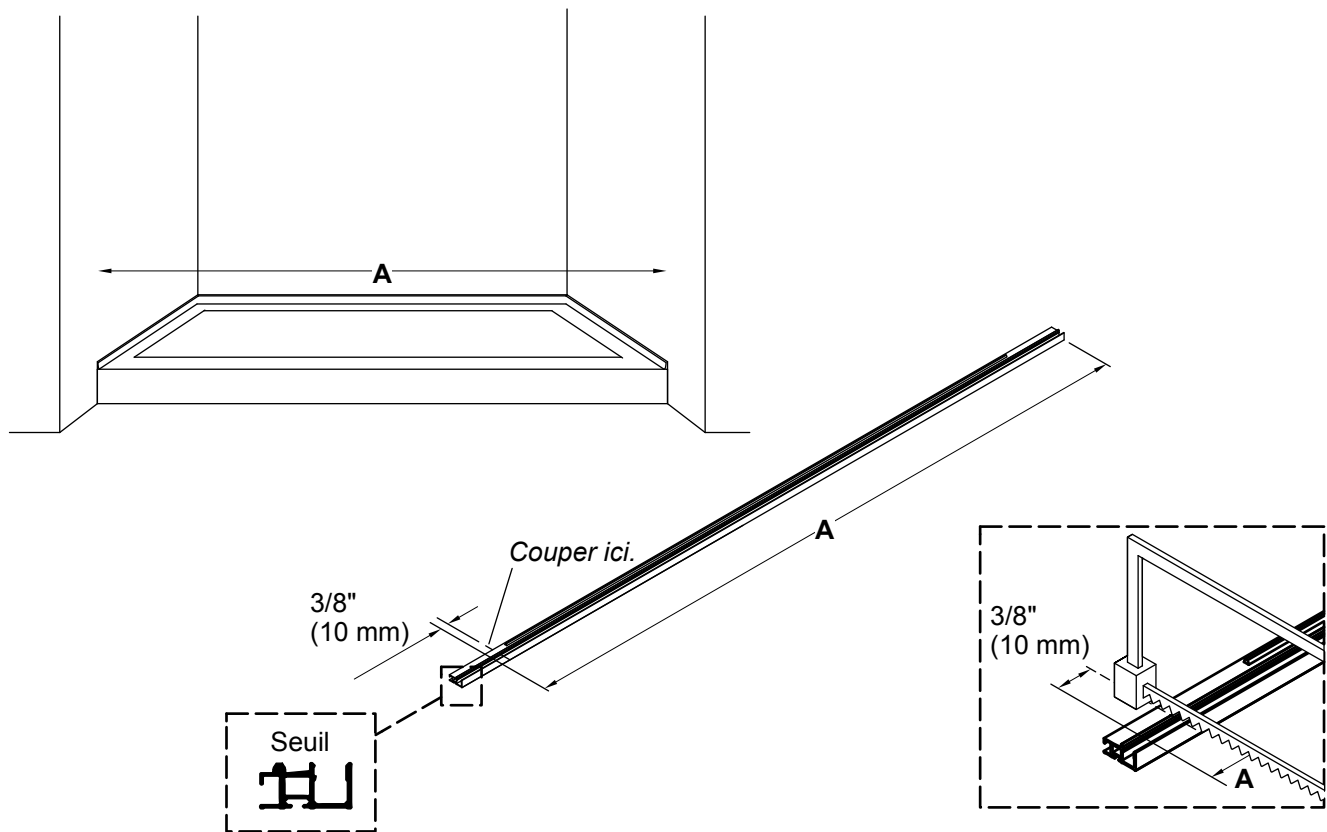
Une surface plate de 1-3/4 po (44 mm) au moins doit être présente sur le rebord de la baignoire/base de douche.

Les murs doivent être compris dans un rayon de 3/8 po (10 mm) de l'aplomb.

Le rebord de la baignoire/base de douche doit être à niveau entre les murs.

Le rayon du rebord de la baignoire/base de douche où il entre en contact avec le mur doit être de 1/4 po (6 mm) ou moins.

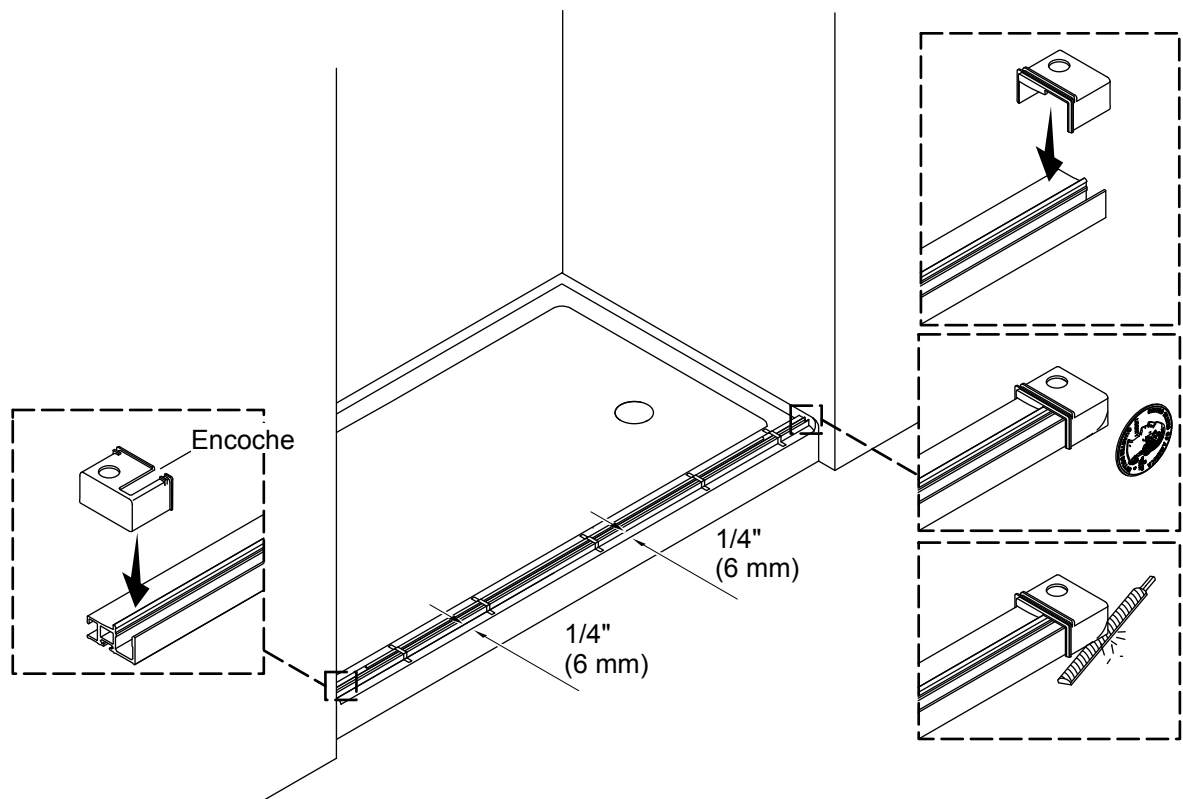
3. Mesurer et couper le seuil



⚠ AVERTISSEMENT : Risque de blessures graves. Toujours porter des lunettes de sécurité pendant la découpe et le perçage.

- Utiliser une toile de protection pour protéger la surface de la douche.
- Mesurer la distance « A » entre les murs de la douche et marquer la distance sur le seuil.
- Mesurer 3/8 po (10 mm) à partir de « A » et placer un deuxième repère sur le seuil, comme sur l'illustration.
- Couper le seuil au niveau du deuxième repère et limer tous les bords rugueux.

4. Positionner le seuil



AVIS : Le seuil doit reposer sur une surface plate.

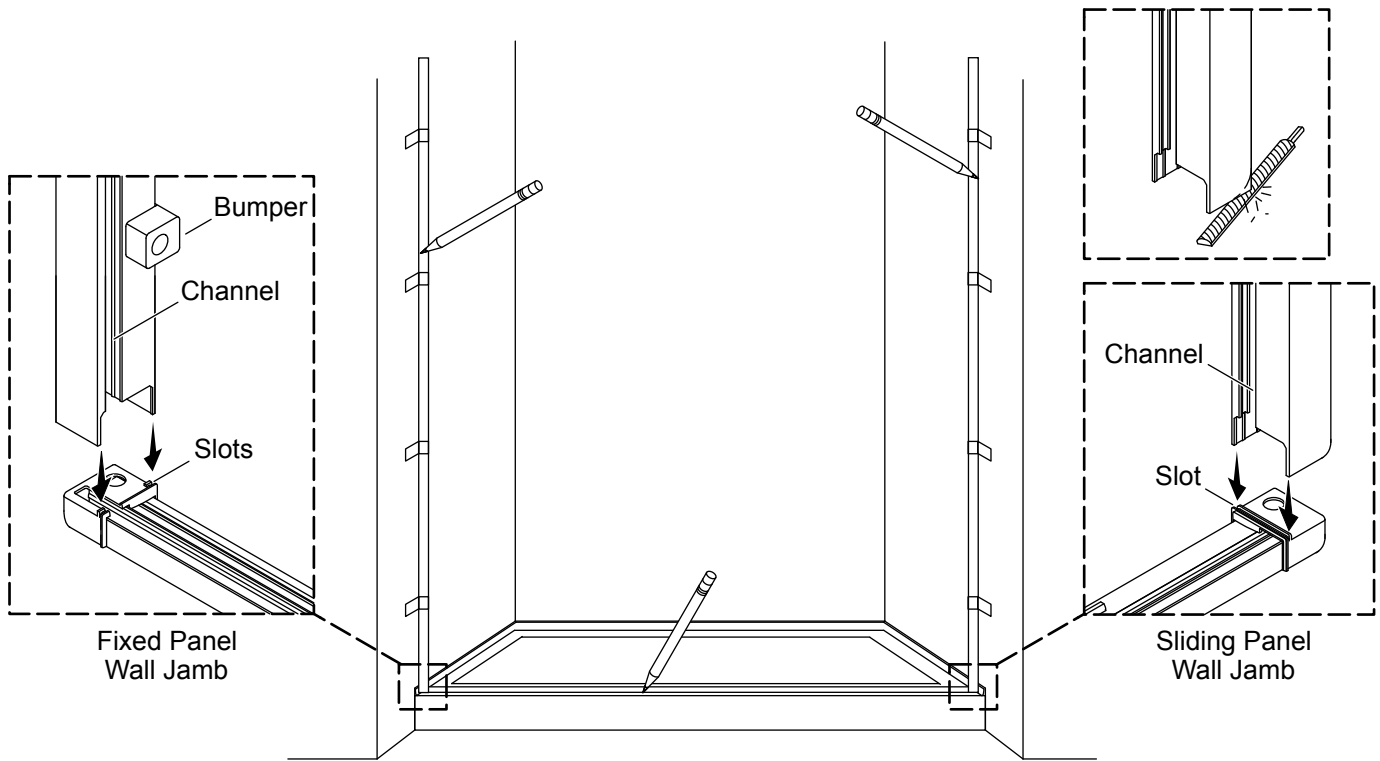
- Aligner le seuil à une distance de 1/4 po (6 mm) du rebord de la baignoire/base de la douche le long de toute la longueur et marquer l'emplacement.
- Bien fixer le seuil en place avec du ruban adhésif le long du repère, de manière à ce qu'il soit centré entre les murs.

REMARQUE : Sélectionner les couvercles d'extrémité appropriés en fonction de l'orientation de la porte, comme illustré dans la section « Déterminer la configuration de la porte ».

REMARQUE : Le couvercle d'extrémité doté de la fente est installé sur le côté avec le panneau fixe.

- Enfoncer une couverture d'extrémité sur chaque extrémité du seuil.
- Au besoin, limer les extrémités du seuil et des couvertures d'extrémité pour les adapter contre les murs de la douche. Utiliser une pièce de monnaie pour faire correspondre et transférer le rayon de bec.

5. Positionner les montants de mur



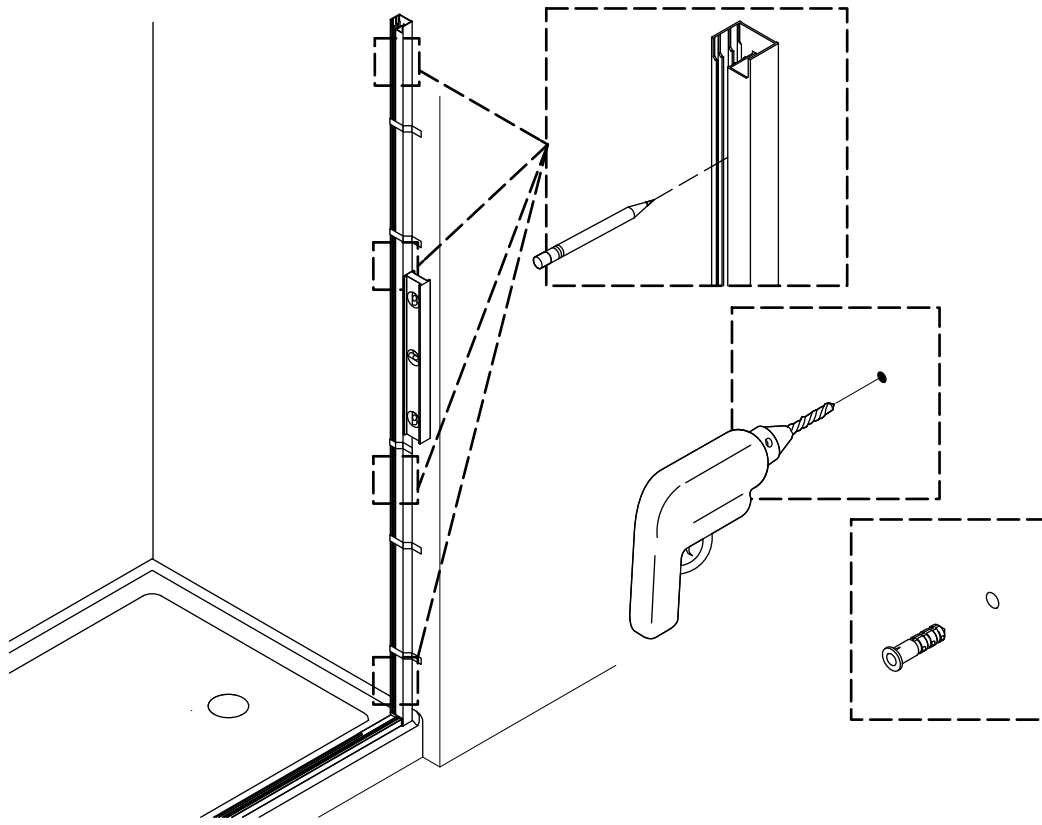
REMARQUE : Le canal sur le montant mural du panneau fixe sera plus proche de l'extérieur de la douche.

REMARQUE : Le canal sur le montant mural du panneau coulissant sera plus proche de l'intérieur de la douche.

REMARQUE : Les montants muraux seront positionnés dans les fentes sur les couvercles d'extrémité.

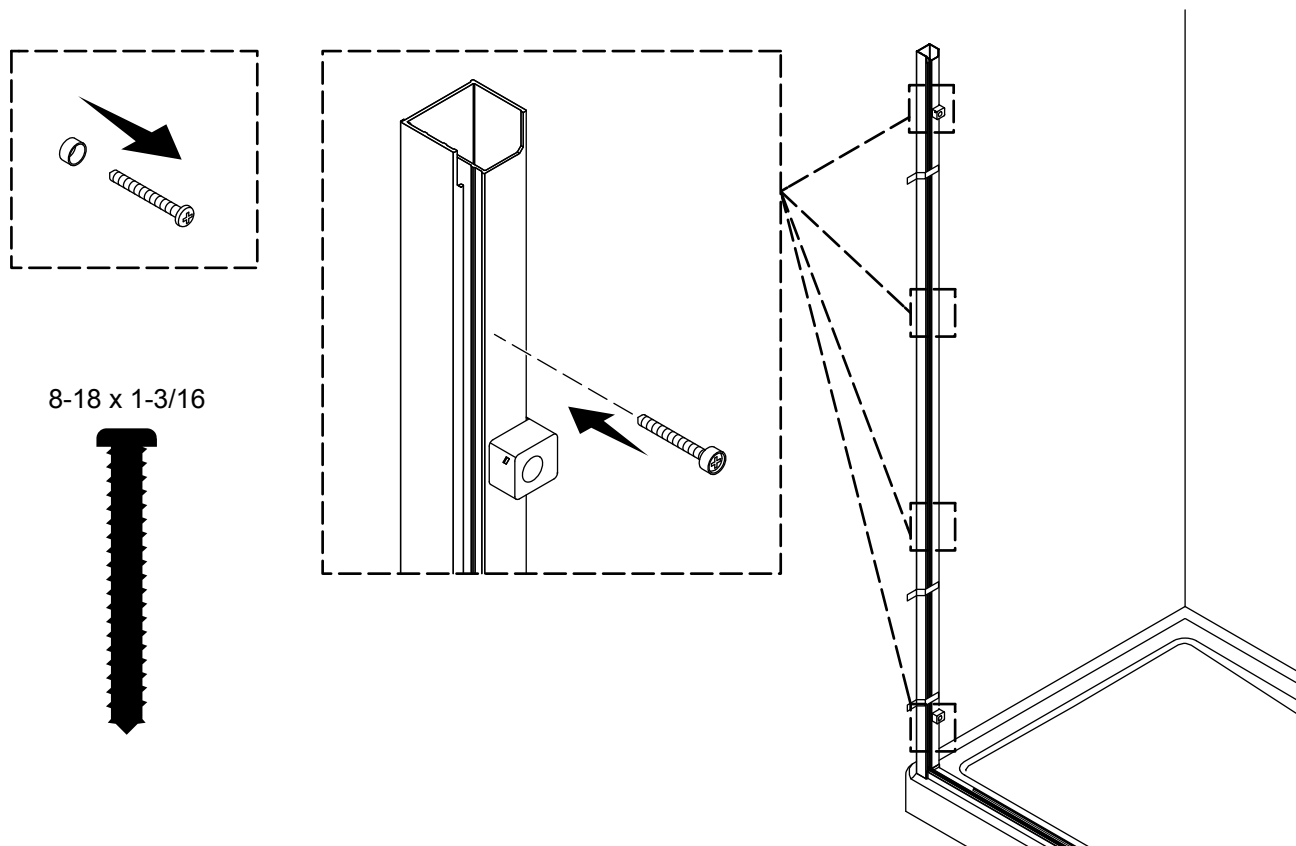
- Positionner le montant mural contenant les butoirs sur le seuil situé sur le côté avec panneau fixe contre le mur.
- Au besoin, limer le bas des montants muraux pour les adapter au rayon de bec du mur de la douche.
- Mettre le montant mural d'aplomb.
- Attacher le montant mural en place de manière sécuritaire avec du ruban adhésif et marquer l'emplacement du montant mural.
- Répéter pour le deuxième montant mural.
- Vérifier que le seuil est parallèle avec l'avant du rebord de la baignoire/base de douche.

6. Marquer les emplacements des montants de mur



- Marquer au crayon ou un foret les emplacements des trous de chevilles d'ancrage sur chaque montant mural.
- Retirer les deux montants muraux et les mettre de côté.
- Percer un trou de 1/4 po à chaque emplacement marqué. Utiliser une mèche à maçonnerie pour les murs à carrelage.
- Installer les chevilles d'ancrage mural fournies. Si nécessaire, taper doucement sur les chevilles d'ancrage jusqu'à ce qu'elles soient à ras du mur.
- Bien nettoyer la base et les murs de la douche.

7. Installer les montants de mur



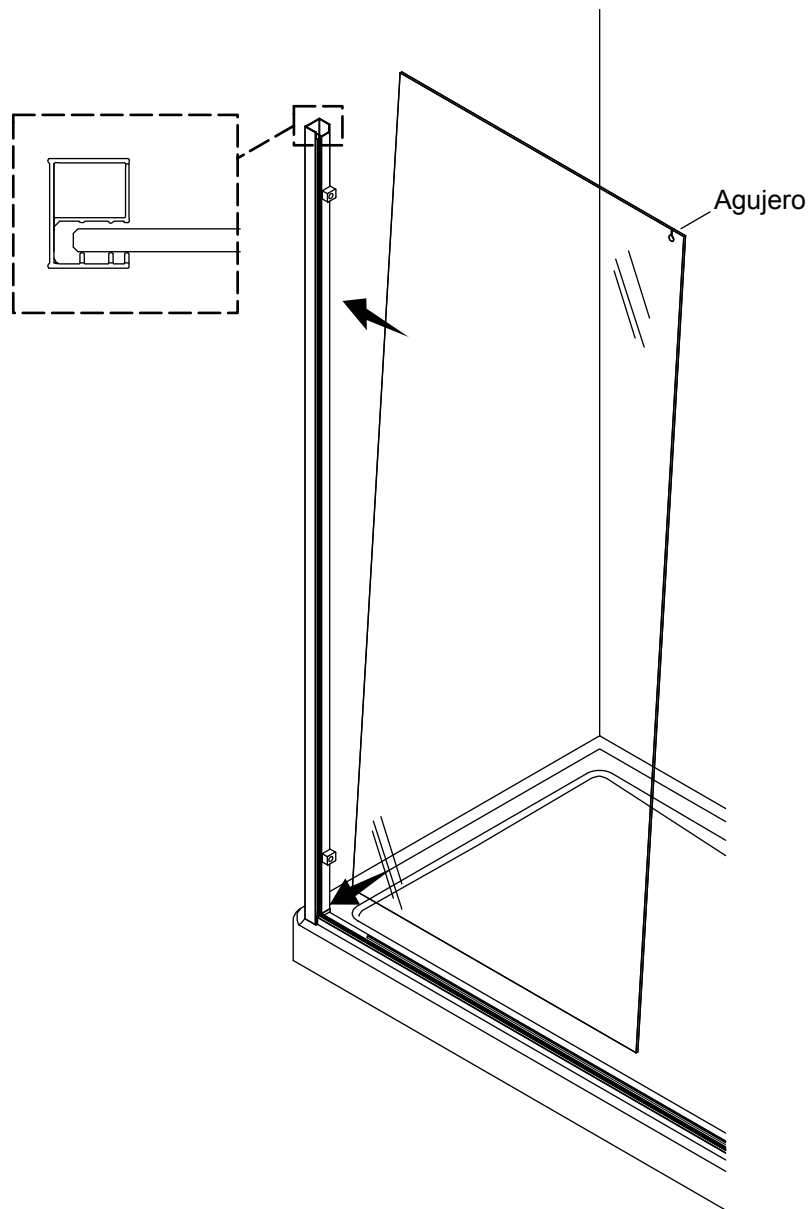
⚠ ATTENTION : Risque d'endommagement du produit. L'installation des rondelles de vis est de première importance pour empêcher que le verre se casse.

- Repositionner le montant mural du panneau fixe, en l'alignant avec les trous des chevilles d'ancrage.
- Enfoncer une rondelle de vis sur chaque vis jusqu'à ce que la tête de vis soit encastrée dans la rondelle de vis.
- Fixer le montant mural avec quatre vis n° 8-18 x 1-3/16 po.

REMARQUE : Il n'est pas nécessaire d'utiliser des rondelles de vis pour le montant mural du panneau coulissant.

- Répéter pour le deuxième montant mural.

8. Installer le panneau fixe

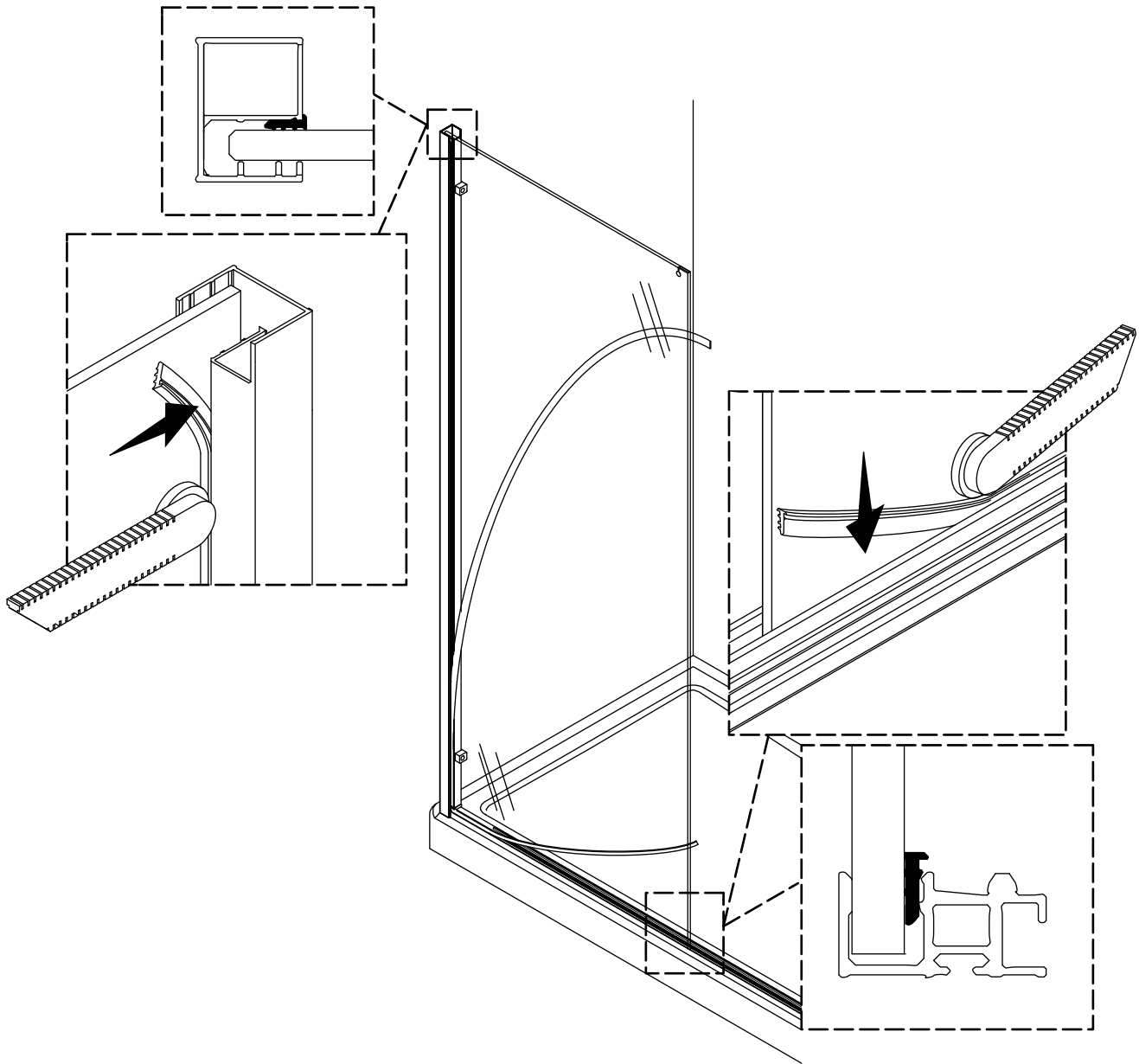


⚠ ATTENTION : Risque de blessures. Le verre trempé ne doit pas entrer en contact avec des surfaces dures, car le verre risquerait de se briser. Ne pas toucher le bord du panneau de verre trempé avec des outils ou des objets durs.

IMPORTANT! Le trou sur le panneau fixe doit être orienté comme indiqué ci-dessus.

- Avec de l'aide, installer le panneau fixe dans le seuil et le montant mural du panneau fixe jusqu'à ce que le panneau entre en contact avec les rondelles de vis.

9. Installer les joints d'étanchéité biseautés

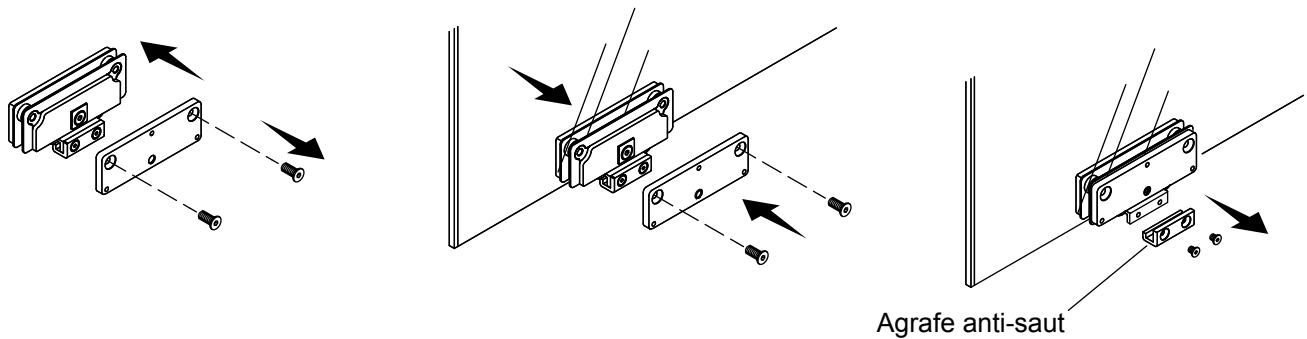


⚠ ATTENTION : Risque d'endommagement du produit. Utiliser l'outil d'installation fourni pour pousser les joints d'étanchéité biseautés en place. **Ne pas utiliser d'objets tranchants pour pousser les joints d'étanchéité biseautés en place.**

AVIS : L'installation du joint biseauté doit commencer dans le coin intérieur inférieur du panneau fixe.

- À partir de l'intérieur de la douche, commencer par installer le joint biseauté court dans le coin inférieur du panneau fixe.
- À partir de l'intérieur de la douche, commencer par installer le joint biseauté long dans le coin inférieur du panneau fixe.
- Couper la longueur excessive des joints biseautés qui se prolonge au-delà du panneau fixe.

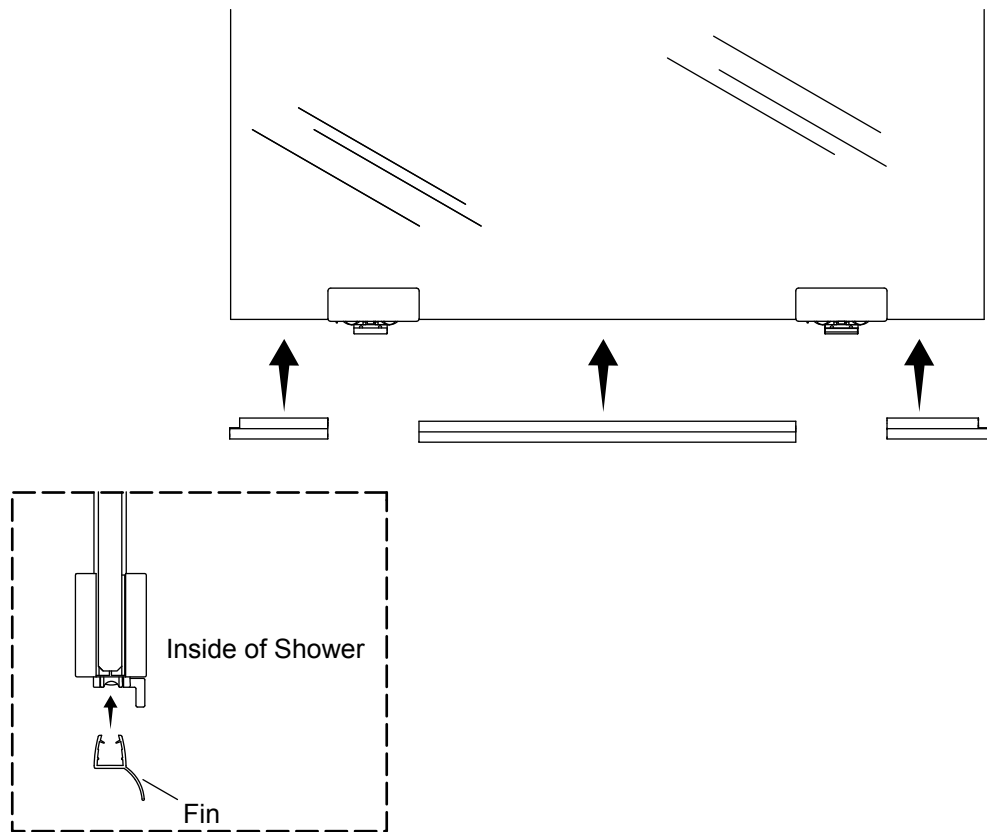
10. Installer les galets du panneau coulissant



IMPORTANT! Les attaches anti-saut doivent être tournées vers l'intérieur de la douche lors de l'installation des galets.

- À l'aide de la clé hexagonale de 3 mm fournie, désassembler chaque ensemble de galets.
- Réassembler chaque ensemble de galets sur le panneau coulissant.
- À l'aide de la clé hexagonale de 2,5 mm fournie, retirer l'attache anti-saut de chaque ensemble de rouleaux et la mettre de côté pour un usage ultérieur.

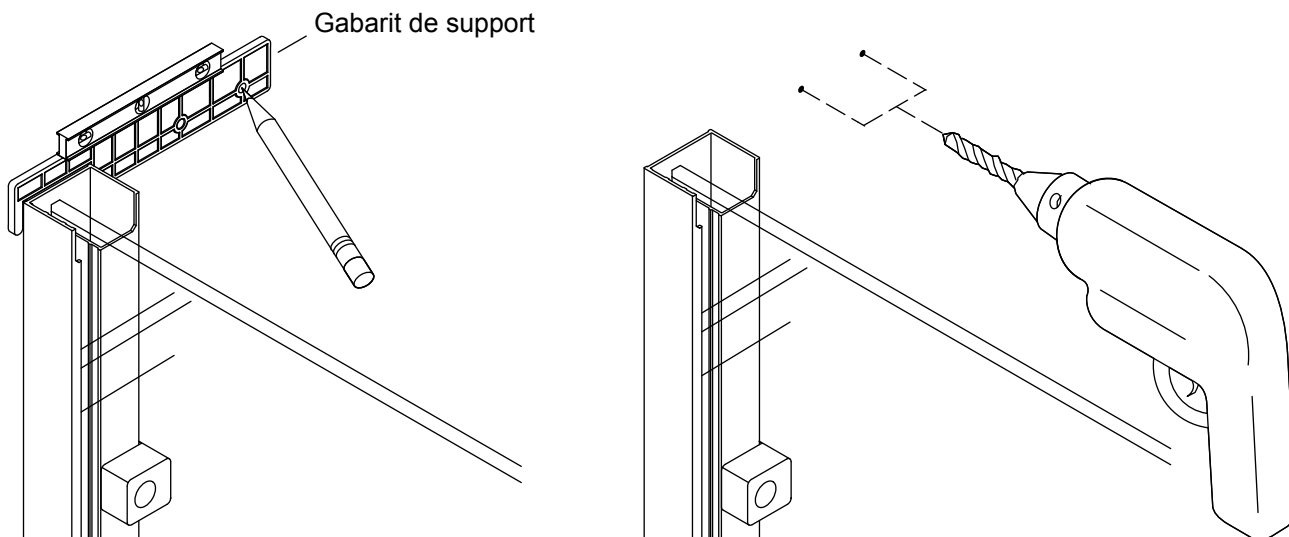
11. Installer les joints d'étanchéité inférieurs



REMARQUE : L'ailette sera tournée vers l'intérieur de la douche.

- Enfoncer les trois joint d'étanchéité sur le bas du panneau coulissant.

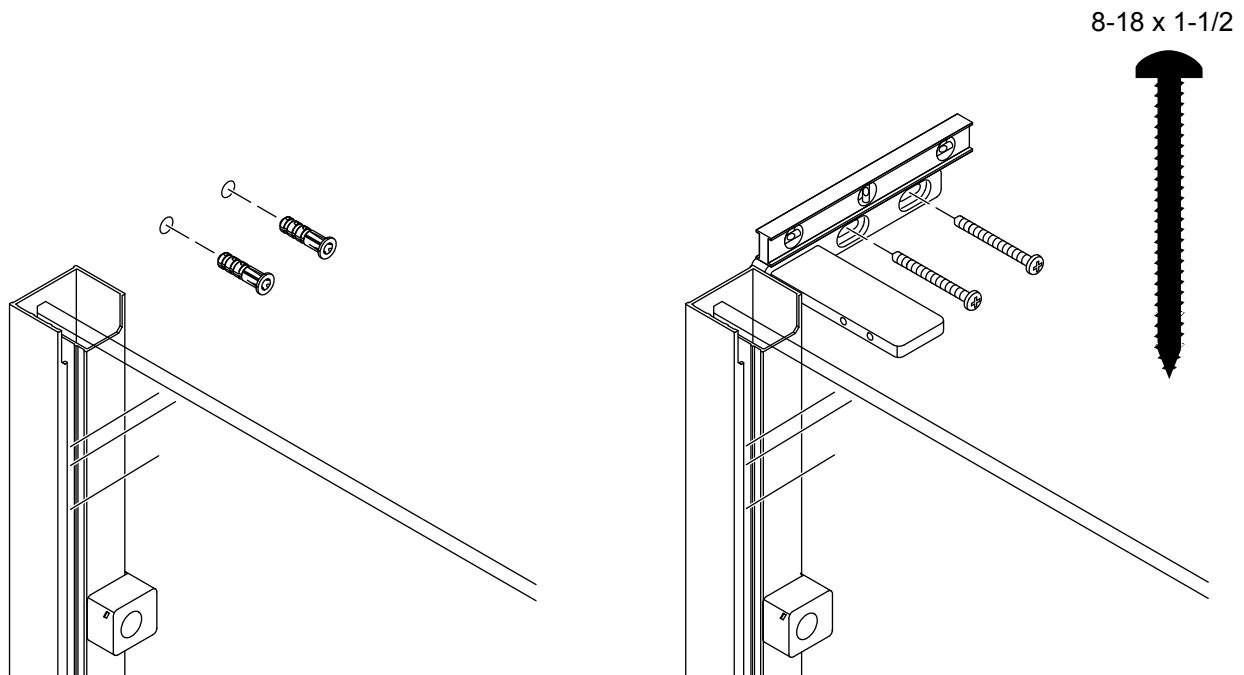
12. Percer les trous du support mural



IMPORTANT! Les emplacements des trous pour le support mural sont de première importance. Vérifier que les trous sont marqués correctement et percés tout droit dans le mur.

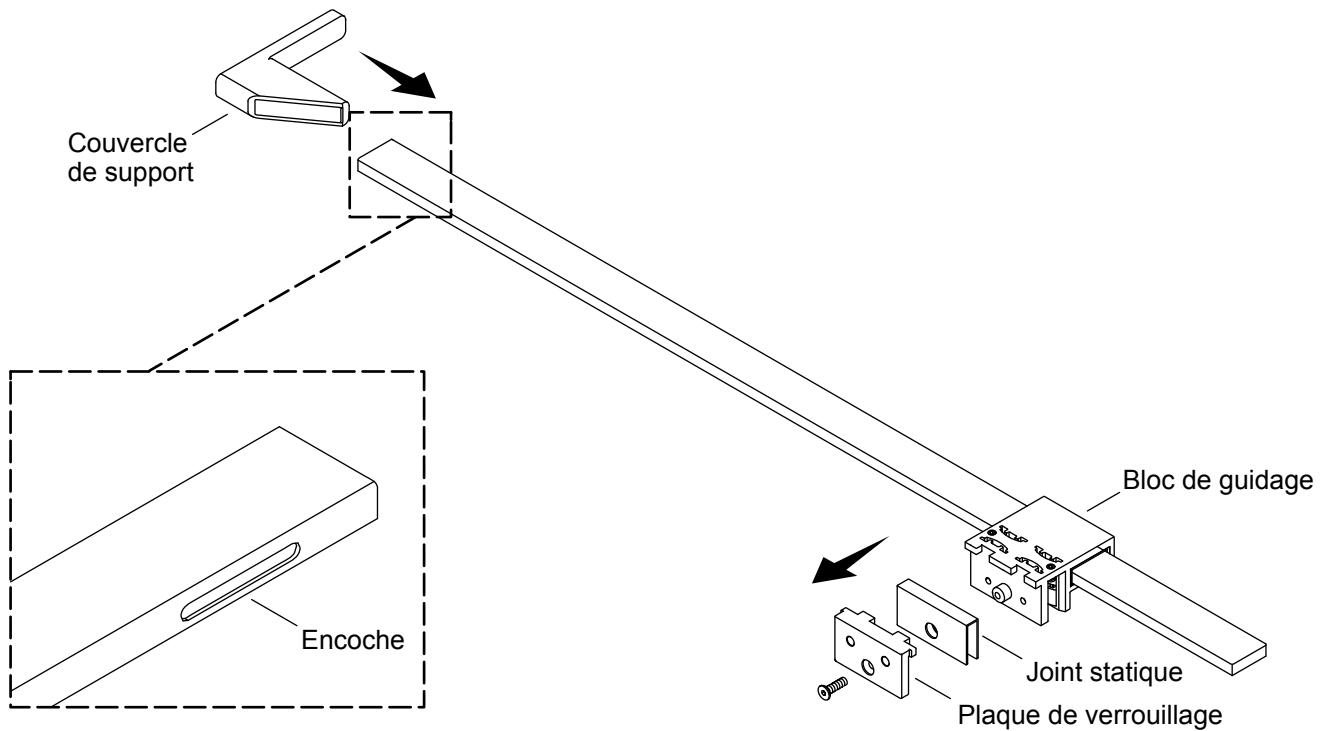
- Placer le gabarit du support par-dessus le montant mural du panneau fixe, en le pointant dans la douche comme sur l'illustration.
- Vérifier que le gabarit est entièrement assis par-dessus le montant mural du panneau fixe, à plat contre le mur, et à niveau.
- Marquer les autres emplacements des trous et retirer le gabarit.
- Percer des trous de 1/4 po dans le mur aux emplacements marqués. **Vérifier que la perceuse ne se trouve pas à un angle lors du perçage.**

13. Installer le support mural



- Installer les chevilles d'ancrage mural fournies. Vérifier que les chevilles d'ancrage sont entièrement assises dans le mur.
- Positionner le support mural par-dessus les chevilles d'ancrage mural comme sur l'illustration.
- Fixer le support en utilisant deux vis n° 8-18 x 1-1/2 po (fournies).
- Vérifier que le support mural est de niveau. Desserrer les vis et ajuster la position au besoin.

14. Préparer la barre de renforcement

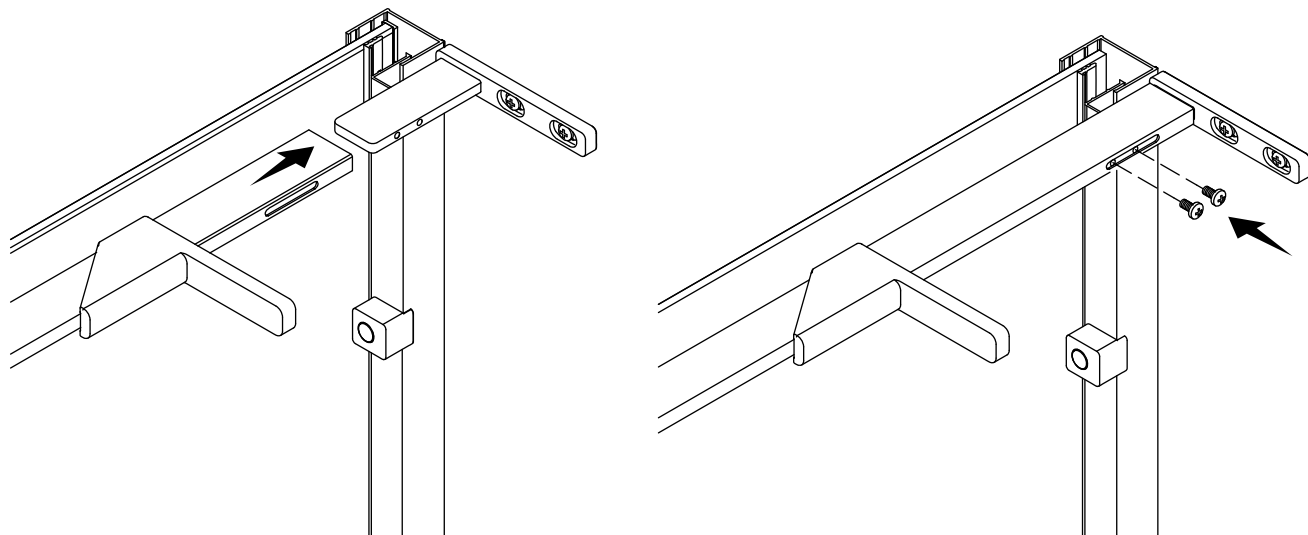


- Retirer la plaque de verrouillage et le joint statique du bloc de guidage et la mettre de côté pour une installation ultérieure.

REMARQUE : La fente dans la barre de renforcement fait face à l'intérieur de la douche et est dirigée vers le mur.

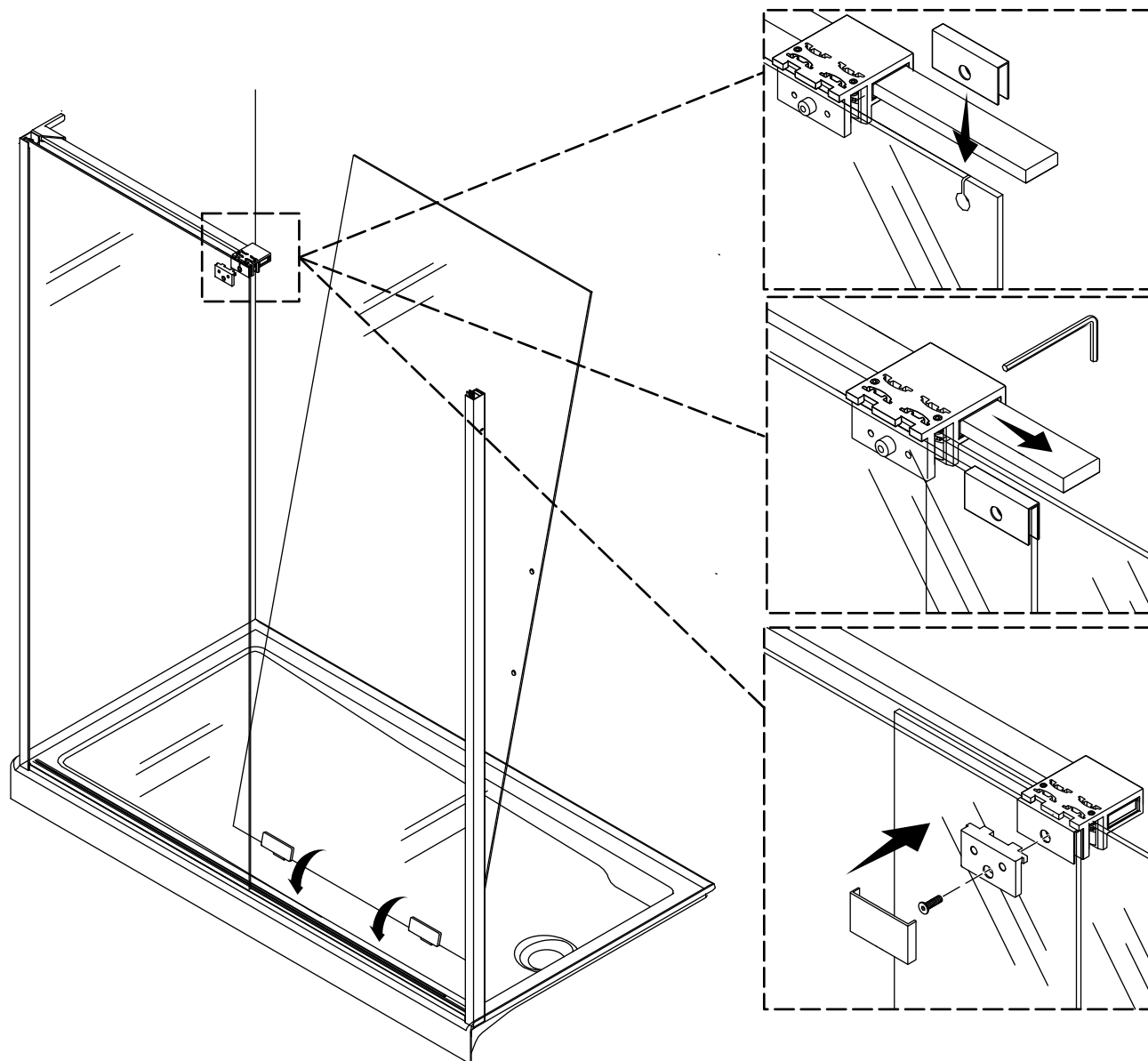
- Glisser le couvercle du support sur l'extrémité de la barre de renforcement.

15. Installer la barre de renforcement



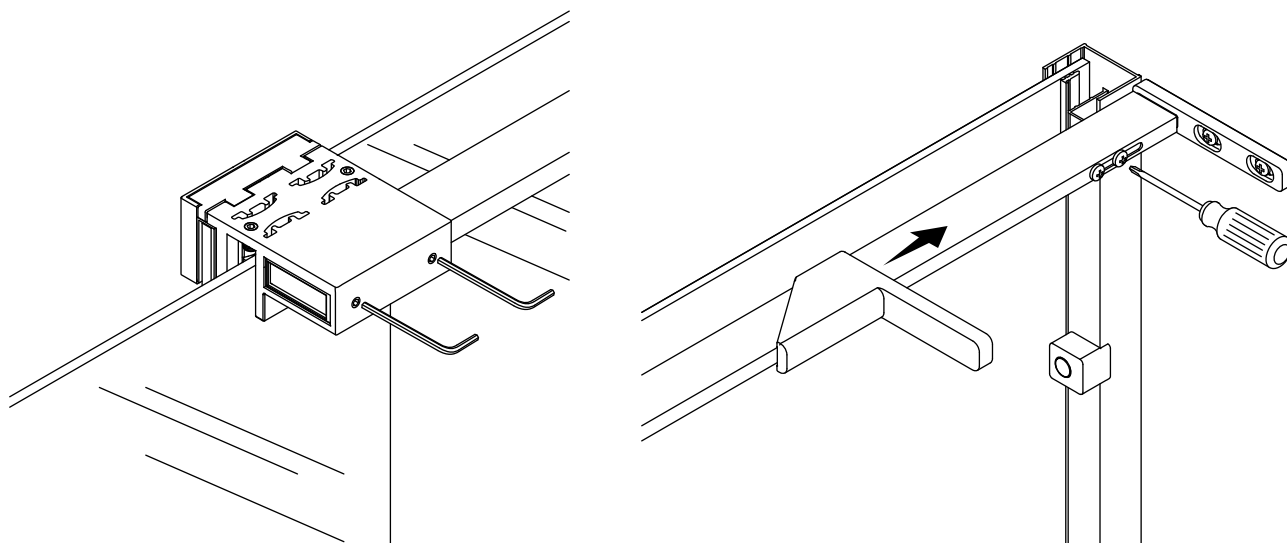
- Glisser la barre de renforcement sur le support mural.
- Fixer lâchement deux vis M4x8 mm (fournies) par la fente dans la barre de renforcement.

16. Installer le panneau coulissant



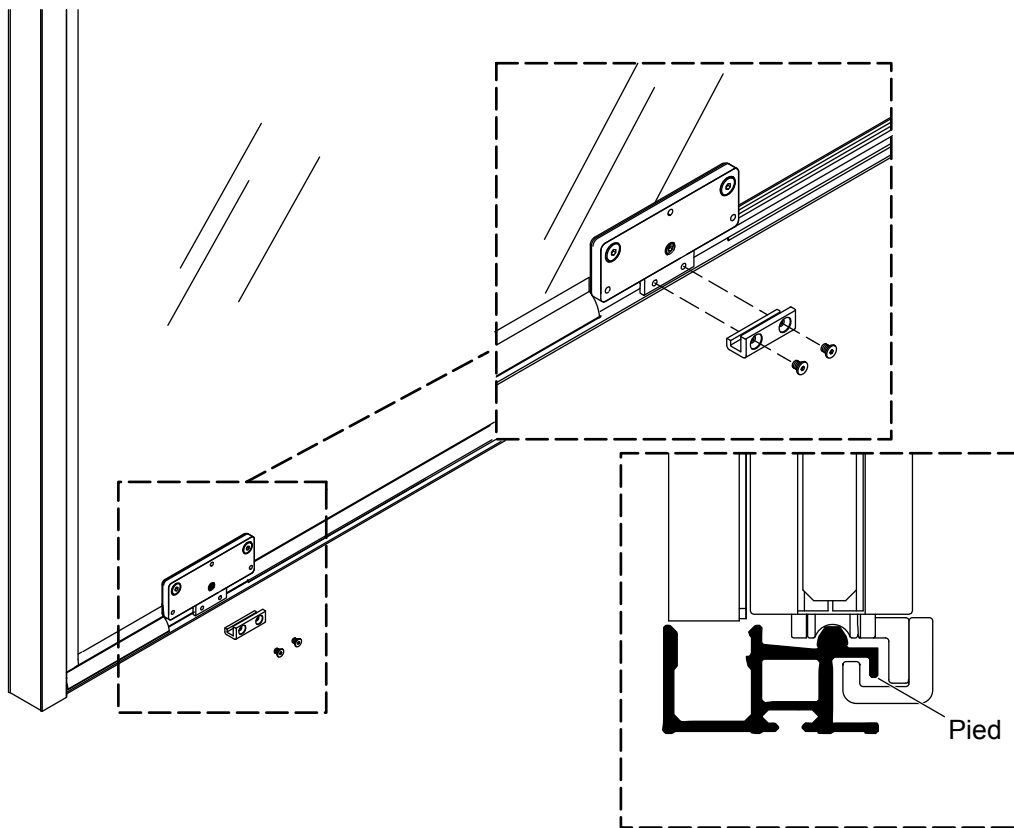
- Placer le joint statique sur le panneau fixe en alignant le trou situé dans le joint statique sur le trou du panneau fixe.
- Avec de l'aide, mettre les galets du panneau coulissant en place sur le rail du seuil et basculer le panneau en position verticale.
- Desserrer les deux vis d'arrêt sur l'arrière du bloc de guidage.
- Glisser le bloc de guidage vers le bas de la barre de renforcement jusqu'à ce que le canal glisse par-dessus le panneau coulissant et que le bloc de guidage soit aligné sur le trou du panneau fixe.
- À l'aide de la clé hexagonale de 3 mm fournie, fixer la plaque de verrouillage en place sur le bloc de guidage à travers le trou du panneau fixe.
- Enfoncer le couvercle sur la plaque de verrouillage.

17. Sécuriser la barre de renforcement



- Vérifier que l'extrémité de la barre de renforcement est à ras du bloc de guidage.
- À l'aide de la clé hexagonale de 2,5 mm fournie, serrer les deux vis sur l'arrière du bloc de guidage.
- Serrer les deux vis sur le support mural.
- Glisser le couvercle du support sur le support mural.

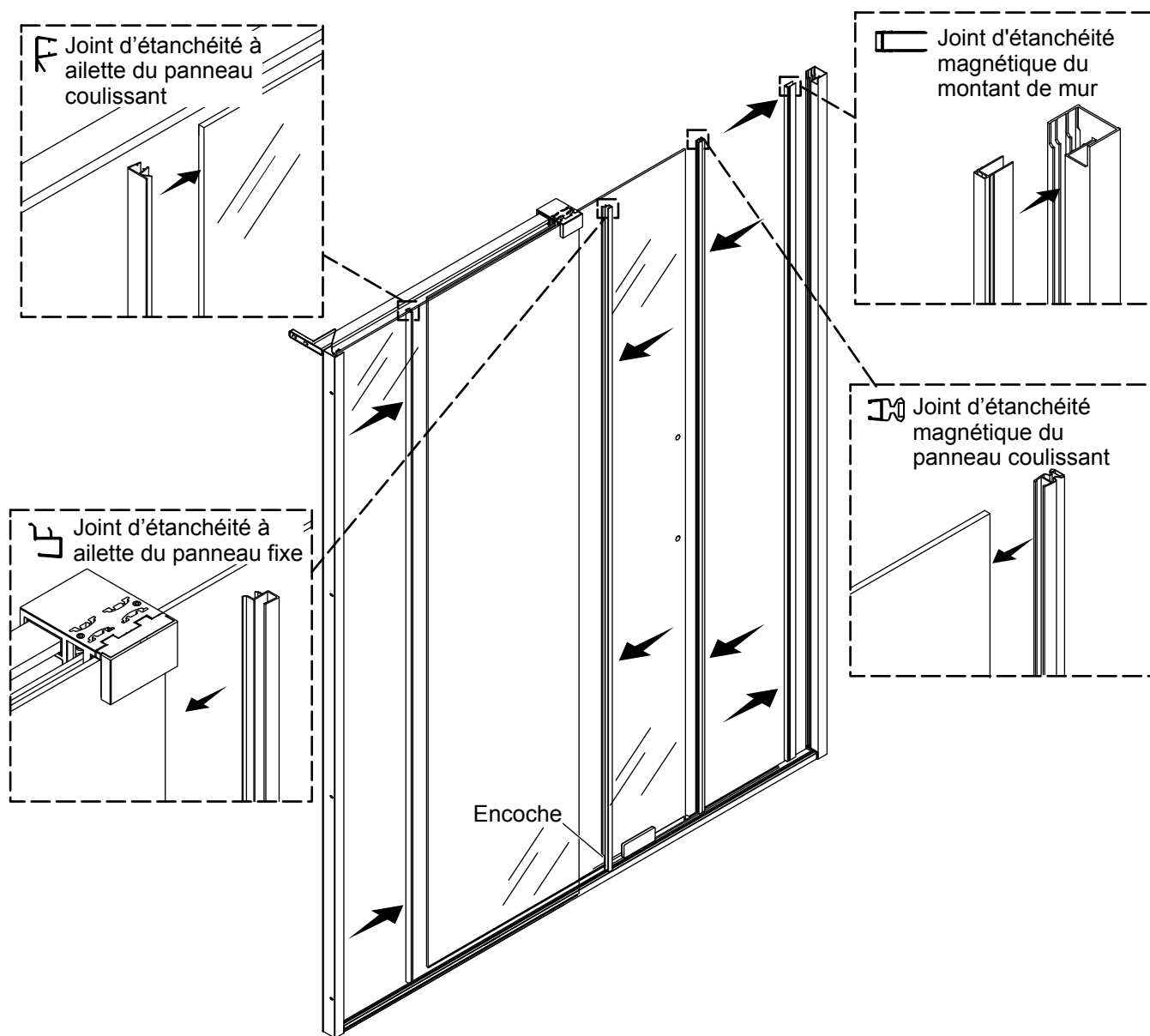
18. Installer les agrafes anti-saut



⚠ ATTENTION : Risque de blessures. Vérifier que les agrafes anti-saut sont engagées avec le pied du seuil.

- À l'aide de la clé hexagonale de 2,5 mm fournie, installer une agrafe anti-saut sur chaque galet sur le panneau coulissant.

19. Installer les joints restants



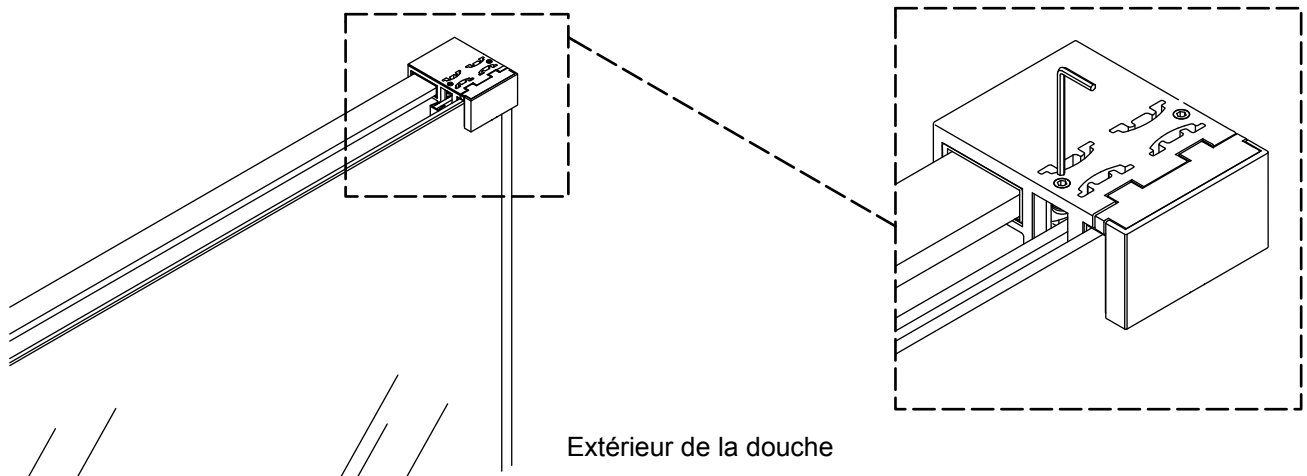
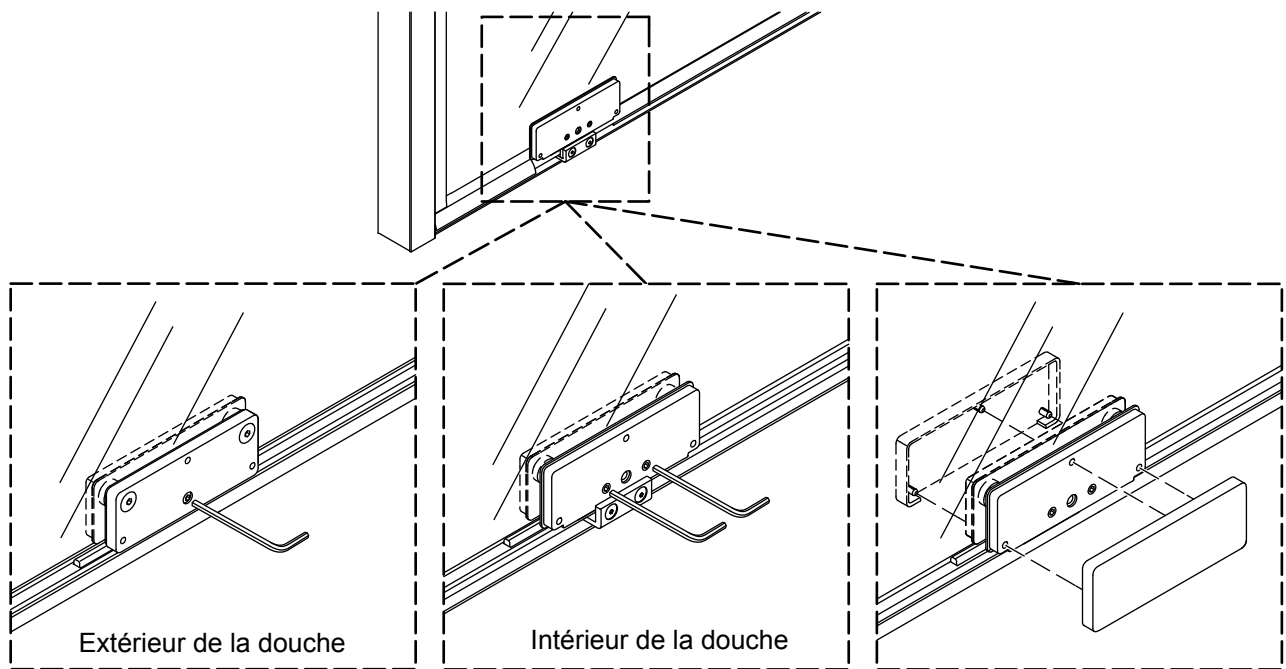
- Installer un joint magnétique de montant de mur dans le canal situé sur le montant de mur du panneau coulissant.
- Installer un joint magnétique de panneau coulissant sur le bord du panneau coulissant qui entre en contact avec le montant de mur du panneau coulissant.
- Installer le joint d'étanchéité à ailette du panneau fixe sur le bord du panneau fixe.

REMARQUE : Une encoche est située sur chaque extrémité du joint d'étanchéité à ailette du panneau fixe. L'encoche supérieure sera coupée.

- Couper l'encoche supérieure de manière à ce que le joint à ailette du panneau fixe s'adapte sous le bloc de guidage.
- Installer le joint d'étanchéité à ailette du panneau coulissant sur l'extrémité du panneau coulissant.

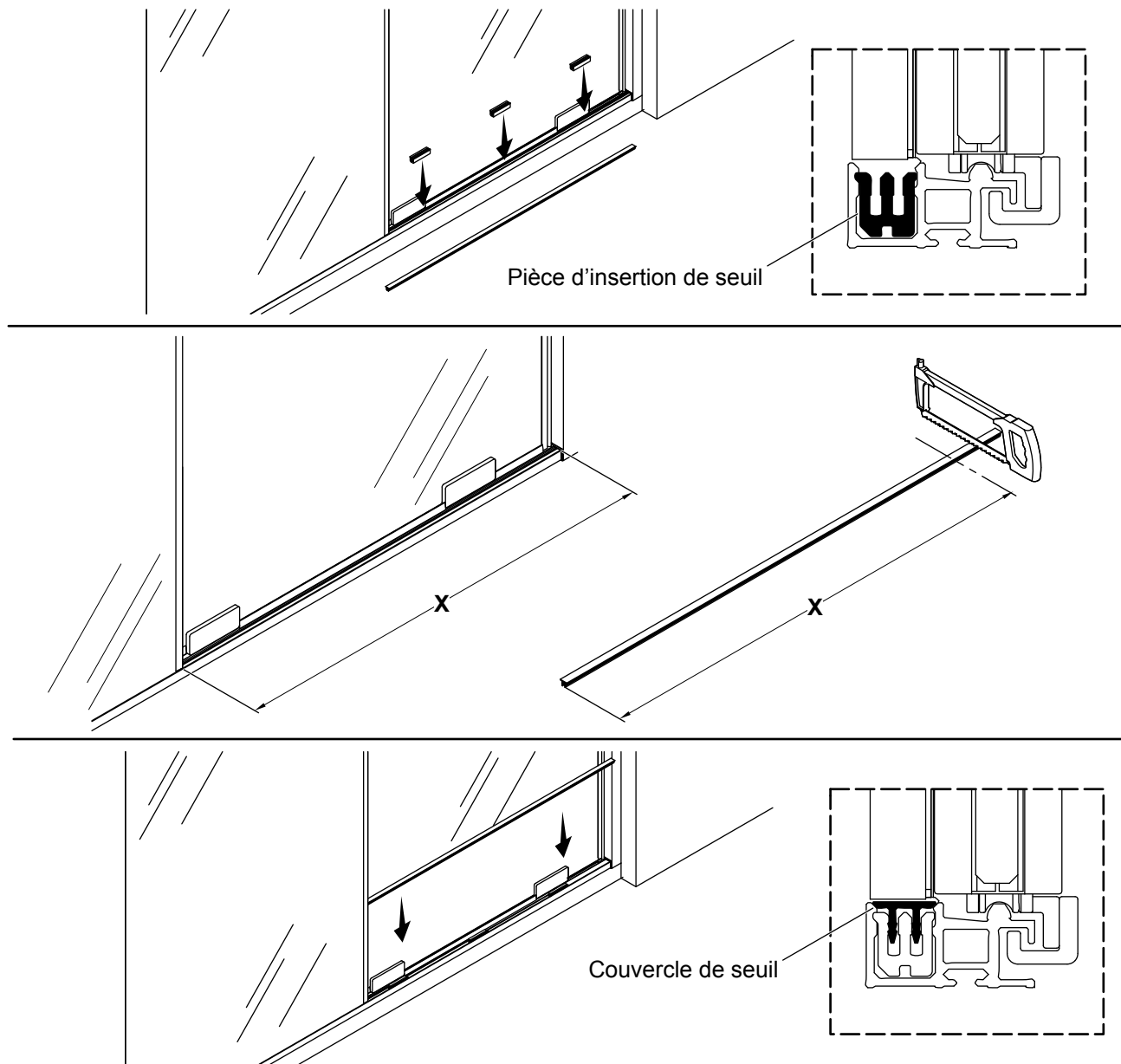
20. Ajuster le panneau coulissant

FR



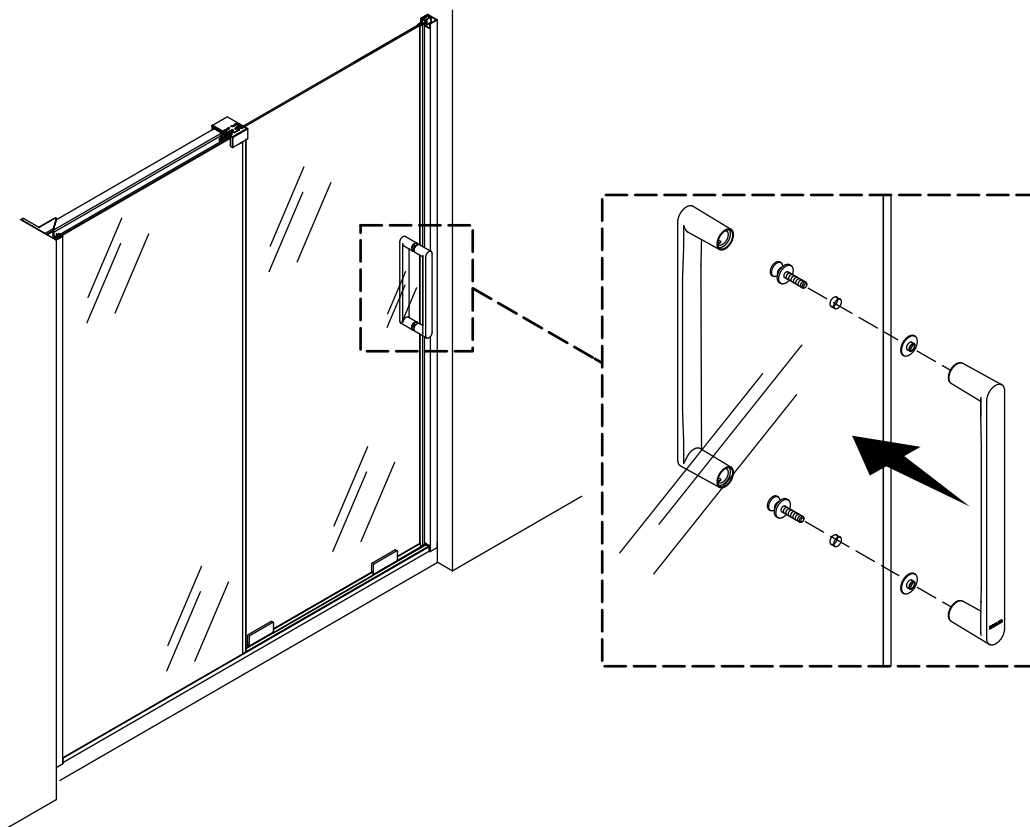
- Sur le côté intérieur de la douche de chaque galet, tourner la vis d'arrêt de manière à ajuster le panneau coulissant en utilisant la clé hexagonale de 3 mm fournie.
- Ajuster le panneau coulissant de manière à ce que le joint magnétique du panneau et le joint magnétique sur le montant de mur soient en contact intégral l'un avec l'autre.
- Serrer les deux vis d'arrêt sur le côté opposé de chaque galet pour fixer le panneau coulissant en position. **Vérifier le serrage des galets et des agrafes anti-saut tous les 6 mois.**
- Enfoncer un couvercle de galet sur les deux côtés de chaque ensemble de galets. Au besoin, retirer le panneau coulissant pour laisser assez d'espace pour installer les couvercles extérieurs. Réinstaller le panneau coulissant.
- À l'aide de la clé hexagonale de 2,5 mm fournie, tourner les vis d'arrêt se trouvant sur le dessus du bloc de guidage jusqu'à ce qu'elles soient à ras du dessus du bloc de guidage.
- Desserrer les vis d'arrêt d'un quart de tour si elles entrent en contact avec le panneau coulissant.

21. Installer le couvercle du seuil



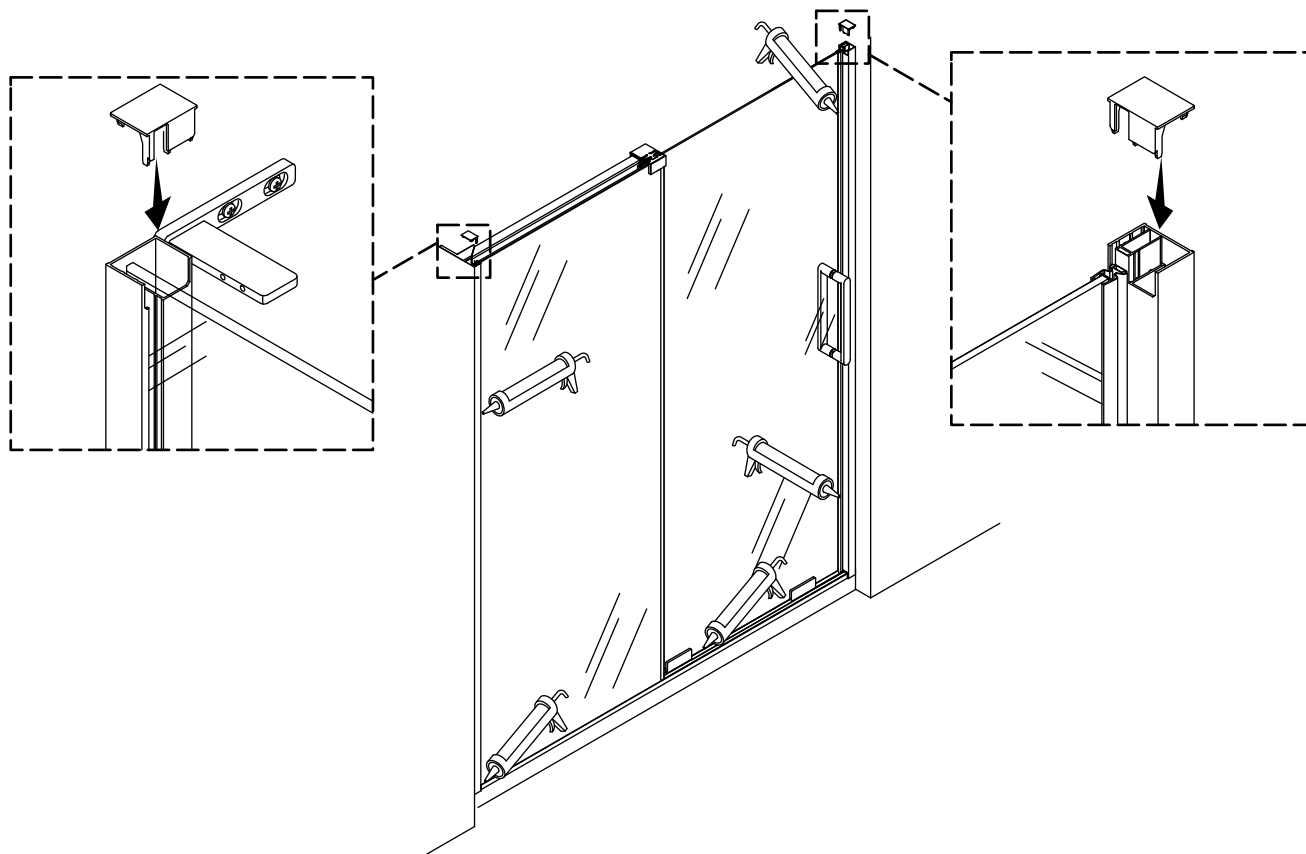
- Espacer les pièces d'insertion transparentes du seuil de manière égale et les enfoncer dans le seuil.
- Mesurer entre le bord du panneau fixe et le montant de mur du panneau coulissant et marquer la mesure sur le couvercle du seuil.
- À l'aide d'une scie égoïne, couper le couvercle du seuil au niveau de la ligne marquée. Limer tous les bords rugueux.
- Enfoncer le couvercle du seuil sur les pièces d'insertion du seuil jusqu'à ce que le seuil s'enclenche en place.

22. Installer les poignées



- Placer une bague dans chaque côté de chaque trou de poignée.
- À partir de l'intérieur de la douche, pousser un boulon à travers chaque trou de poignée.
- Avec le lettrage « KOHLER » dans le bas, poser la poignée extérieure par-dessus les boulons. Enfiler les boulons dans la poignée.
- Serrer les boulons avec un tournevis. **Ne pas trop serrer!**
- Installer la poignée intérieure par-dessus les boulons.
- Sécuriser la poignée intérieure avec les deux vis d'arrêt. Serrer avec la clé hexagonale de 2,5 mm fournie.

23. Terminer l'installation



REMARQUE : Sélectionner les couvercles de montants muraux appropriées en fonction de l'orientation de la porte, comme illustré dans la section « Déterminer la configuration de la porte ».

- Enfoncer un couvercle de montant de mur dans le dessus de chaque montant de mur.
- Appliquer du mastic d'étanchéité à la silicone à 100% sur le bord extérieur du seuil.
- Appliquer du mastic à la silicone à 100% le long du bord extérieur et intérieur de chaque montant de mur.

Dépannage

Ce guide de dépannage est destiné à fournir une aide d'ordre général uniquement. Pour des problèmes ou questions concernant l'entretien et l'installation, composer le 1-800-4KOHLER.

Symptômes	Cause probable	Action recommandée
1. La porte fait du bruit lorsqu'elle est ouverte ou fermée.	A. Le panneau de porte est ajusté trop haut et frotte sur le bloc de guidage. B. Les galets sont desserrés. C. Les galets sont usés.	A. Desserrer d'1/4 de tour les vis d'arrêt en nylon sur le haut du bloc de guidage de manière à ce qu'il n'entre plus en contact avec le haut du panneau. B. Serrer les vis des galets en utilisant les outils nécessaires et la clé hexagonale fournie. C. Remplacer les galets.
2. Il est difficile de déplacer la porte ou elle ne s'ouvre pas.	A. Le panneau de porte est ajusté trop haut et frotte sur le bloc de guidage. B. Les galets sont desserrés. C. Les galets sont usés.	A. Desserrer d'1/4 de tour les vis d'arrêt en nylon sur le haut du bloc de guidage de manière à ce qu'il n'entre plus en contact avec le haut du panneau. B. Serrer les vis des galets en utilisant les outils nécessaires et la clé hexagonale fournie. C. Remplacer les galets.
3. Le couvercle du support ne veut pas rester en position serrée sur le mur.	A. Les nervures de compression sont usées et ne retiennent plus le couvercle sur le mur.	A. Appliquer du mastic à La silicone à 100% entre le couvercle du support et le support. Laisser la silicone sécher pendant 24 heures.
4. Le joint magnétique situé sur le panneau de porte ne s'aligne pas avec le joint magnétique du montant de mur.	A. Le panneau de porte n'est pas ajusté pour correspondre au montant de mur.	A. Ajuster les galets pour aligner le panneau de porte de manière égale avec le montant de mur. Cela peut être effectué en tournant la vis de réglage de chaque galet.

Symptômes	Cause probable	Action recommandée
5. Fuites d'eau.	<p>A. Fuites d'eau sous le seuil.</p> <p>B. Fuites d'eau sous un panneau de porte.</p> <p>C. Fuites d'eau autour du montant de mur.</p> <p>D. Fuites d'eau entre le mur et le montant mural.</p> <p>E. Fuites d'eau entre le panneau fixe et le chevauchement du panneau de porte.</p>	<p>A. Appliquer du mastic d'étanchéité à la silicone à 100 % le long du bord extérieur du seuil. Voir les instructions du fabricant du mastic d'étanchéité à la silicone avant d'utiliser la douche.</p> <p>B1. Ajuster les galets pour abaisser le panneau de porte et les rapprocher du rebord de la douche. Se reporter à la section « Ajuster le panneau coulissant ».</p> <p>B2. Vérifier que les trois joints d'étanchéité inférieurs sont installés sur le bas du panneau de porte.</p> <p>C1. Ajuster le panneau de porte de manière à ce que les joints d'étanchéité magnétiques entrent en contact avec la hauteur totale de la porte.</p> <p>C2. Vérifier que les joints biseautés sont installés entre le verre et le montant mural pour toute la hauteur du panneau.</p> <p>D. Appliquer du mastic d'étanchéité à la silicone à 100% à l'emplacement où le mur entre en contact avec le montant mural, à l'intérieur et à l'extérieur de la douche. Voir les instructions du fabricant du mastic d'étanchéité à la silicone avant d'utiliser la douche.</p> <p>E. Installer un joint à ailette sur chaque panneau conformément à la section « Installer les joints d'étanchéité restants ». Vérifier que le joint à ailette est bien serré sur le haut du seuil et au même niveau que le bas de chaque panneau de porte.</p>
6. La poignée frappe le panneau fixe lorsque la porte est ouverte.	<p>A. Le panneau fixe n'est pas entièrement engagé dans le montant de mur.</p>	<p>A. Pousser le panneau fixe dans le montant de mur jusqu'à ce qu'il entre en contact avec les rondelles autour de chaque tête de vis.</p>
7. Le panneau fixe ne s'adapte pas dans le montant de mur.	<p>A. Le canal situé dans le seuil ne s'aligne pas avec le canal du montant de mur.</p>	<p>A. Vérifier l'orientation du seuil et du montant de mur. Les butoirs se trouvant sur le montant de mur seront tournés vers la douche. Le canal avec le seuil sera aligné avec le canal du montant de mur.</p>

Instrucciones de instalación

Puerta corrediza de ducha

ES

Gracias por elegir productos KOHLER

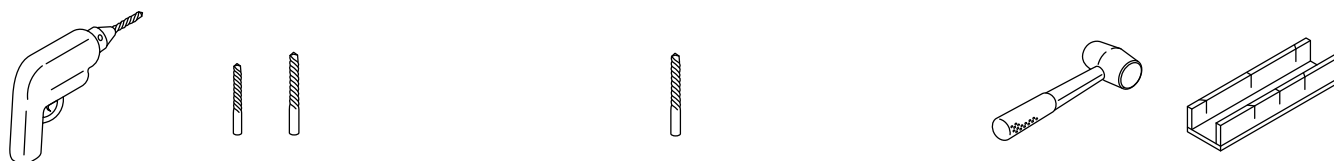
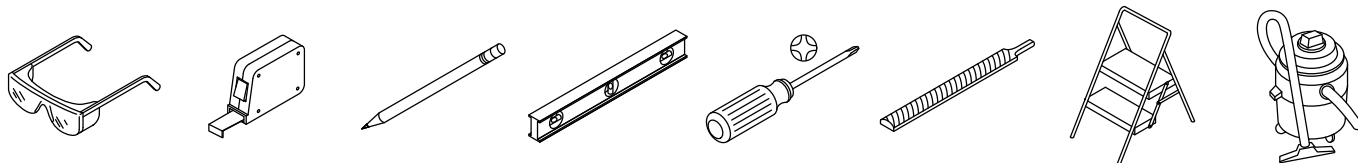
¿Necesita ayuda? Comuníquese con nuestro Centro de Atención al Cliente.

- EE. UU./Canadá: 1-800-4KOHLER (1-800-456-4537) México: 001-800-456-4537
- Piezas de repuesto: kohler.com/serviceparts
- Cuidado y limpieza: kohler.com/clean
- Patentes: kohlercompany.com/patents

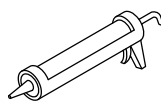
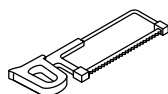
Garantía

A este producto lo cubre la garantía limitada de diez años para puertas de bañeras y de duchas de **KOHLER®**, que puede consultarse en kohler.com/warranty. Comuníquese con el Centro de Atención al Cliente para obtener una copia impresa de los términos de la garantía.

Herramientas y materiales






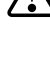



1/8 pulg, 1/4 pulg Broca para mampostería de 1/4 pulg para azulejo Mazo de goma Caja de ingletes



Hoja de 32 dientes/pulg Cinta de enmascarar Sellador 100 % de silicona Guantes de protección

Antes de comenzar

-  **AVISO: Riesgo de lesiones graves.** Daños anteriores a la instalación pueden ocasionar que el vidrio se quiebre en pedazos. Antes de hacer la instalación, revise el vidrio y todas las piezas para ver si han sufrido daños.
-  **AVISO: Riesgo de lesiones graves.** Si la instalación se hace de manera incorrecta, el vidrio podría quebrarse en pedazos. Siga todas las instrucciones de instalación.
-  **AVISO: Riesgo de lesiones graves.** No intente recortar el vidrio templado. El vidrio templado se quiebra en pedazos al tratar de recortarlo.
-  **AVISO: Riesgo de sufrir lesiones graves.** Los paneles de puerta de la ducha podrían quebrarse en pedazos. Revise con regularidad el vidrio y todas las piezas para ver si han sufrido daños, si algo falta o si hay piezas sueltas.
-  **AVISO: Riesgo de lesiones graves.** Siempre use anteojos de seguridad al cortar y al taladrar.
-  **PRECAUCIÓN: Riesgo de sufrir lesiones personales.** El vidrio templado no debe hacer contacto con superficies duras, ya que podría quebrarse en pedazos. No toque el borde de un panel de vidrio templado con herramientas ni con ningún otro objeto duro.
-  **PRECAUCIÓN: Riesgo de sufrir lesiones personales.** El vidrio templado puede estrellarse. Use mangas largas y ropa de protección para evitar sufrir lesiones en caso de que el vidrio se estrelle.

¡IMPORTANTE! Deje este manual para el usuario final. Lea todas las instrucciones antes de instalar o usar este producto.

¡IMPORTANTE! Esta puerta está diseñada para paredes que estén hasta 3/8" (10 mm) de estar a plomo. Verifique que el área a la que se vaya a fijar la puerta esté a menos de 3/8" (10 mm) de estar a plomo. Es posible que la puerta no funcione correctamente si la pared está fuera de plomo más de 3/8" (10 mm).

¡IMPORTANTE! No retire los protectores esquineros de los paneles de puerta, mientras no se hayan instalado estos paneles.

Cubra el desagüe con cinta de enmascarar para evitar perder piezas pequeñas.

Identifique todas las piezas antes de la instalación. Revise que no estén dañadas.

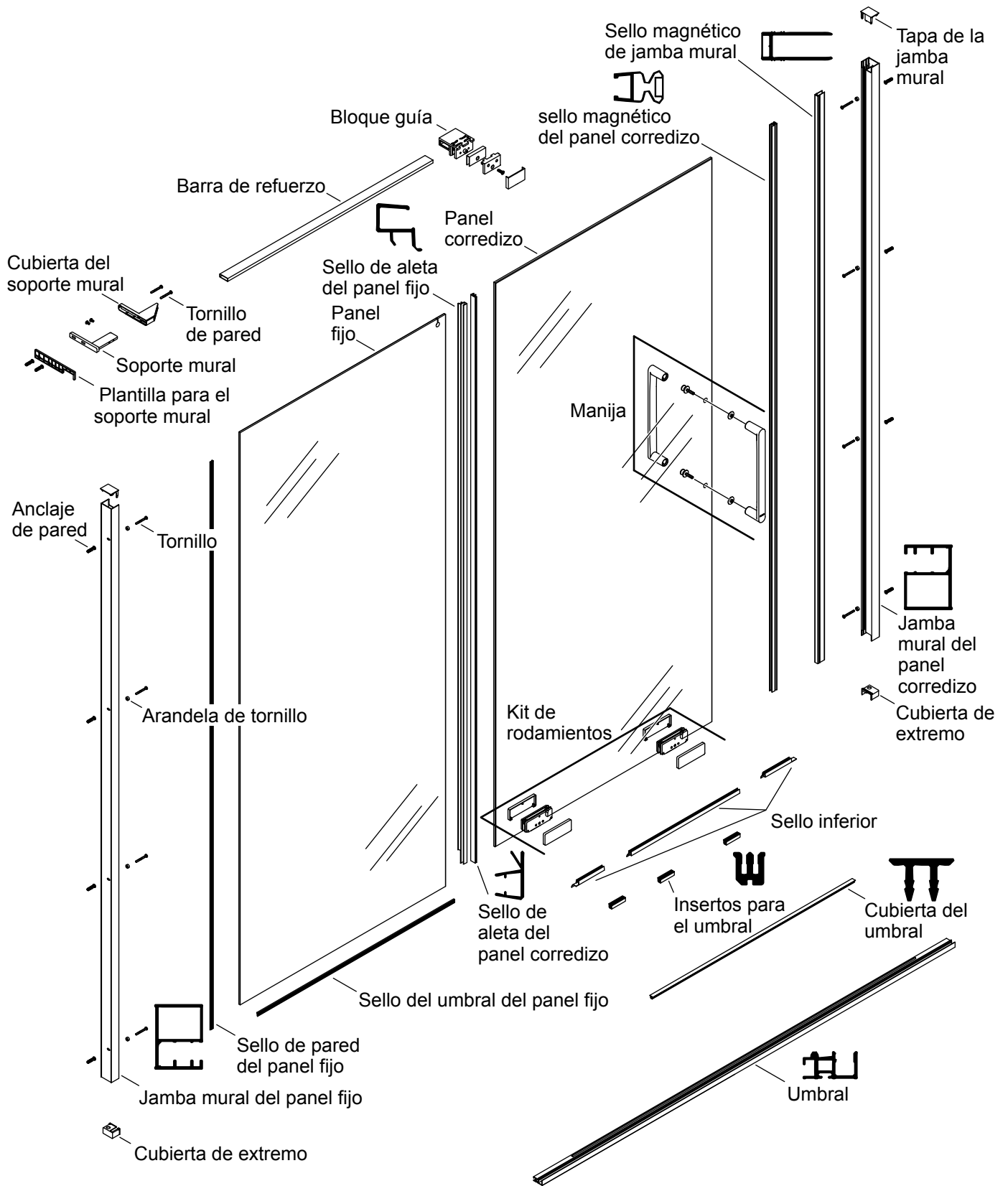
Siga las instrucciones de aplicación y de tiempo de secado del fabricante del sellador de silicona.

Se requieren 2 personas para hacer esta instalación.

El panel fijo debe ser instalado en el lado opuesto a la cabeza de ducha.

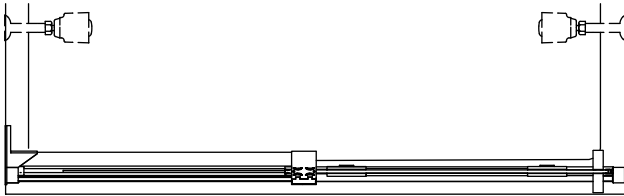
Identificación de piezas

ES

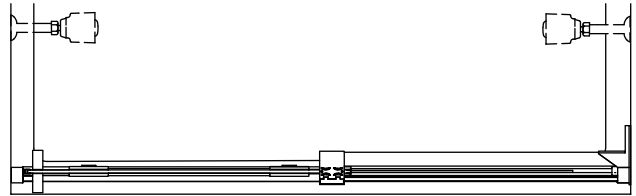


1. Determine la configuración de la puerta

Orientación de la puerta

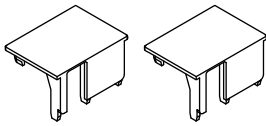


Panel fijo del lado izquierdo

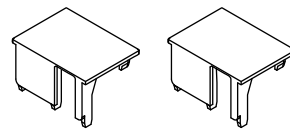


Panel fijo del lado derecho

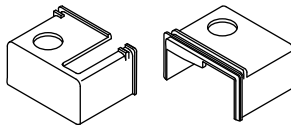
Tapas de las jambas murales



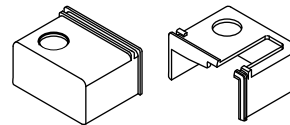
Tapas de las jambas murales



Tapas de extremo



Tapas de extremo

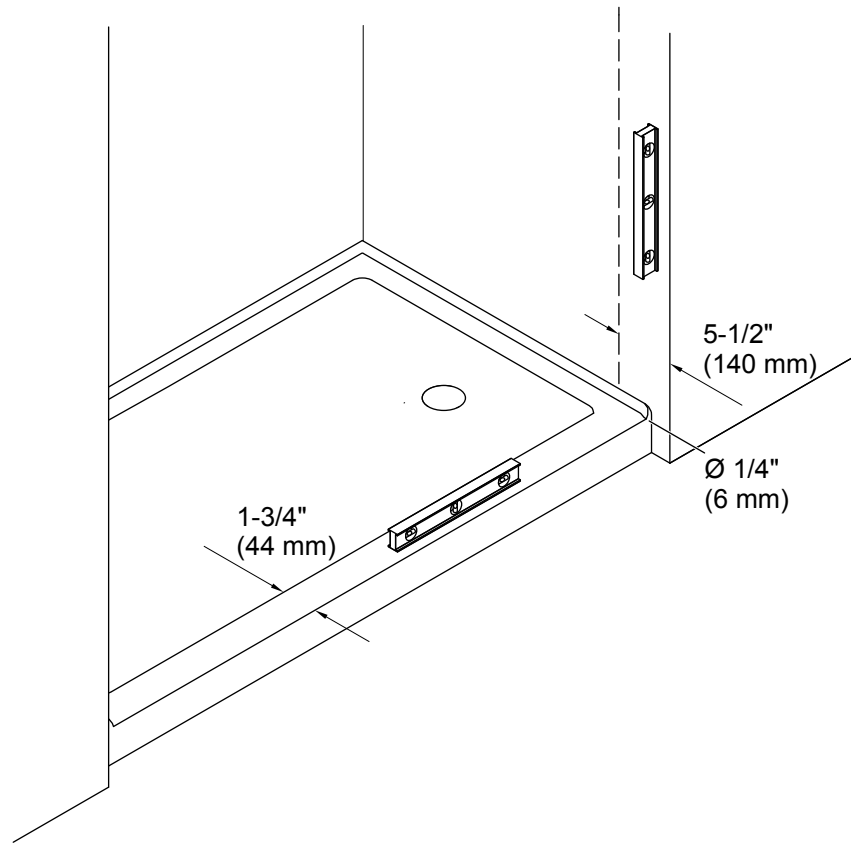


¡IMPORTANTE! En los pasos de instalación se ilustra la configuración con panel izquierdo fijo, a menos que se indique lo contrario.

- Determine si la puerta debe ser instalada con el panel fijo al lado derecho o izquierdo de la ducha.
- Seleccione las tapas de extremo y las tapas de las jambas murales que correspondan a la configuración.

2. Confirme la compatibilidad de los rebordes y las paredes

ES



¡IMPORTANTE! Para asegurar la alineación y el funcionamiento correctos, confirme que la base de la ducha o el reborde de bañera y las paredes cumplan los siguientes requisitos. No instale la puerta si no se cumplen estos requisitos.

Debe haber por lo menos 5-1/2" (140 mm) de superficie plana en la base de la ducha o en las paredes de la bañera.

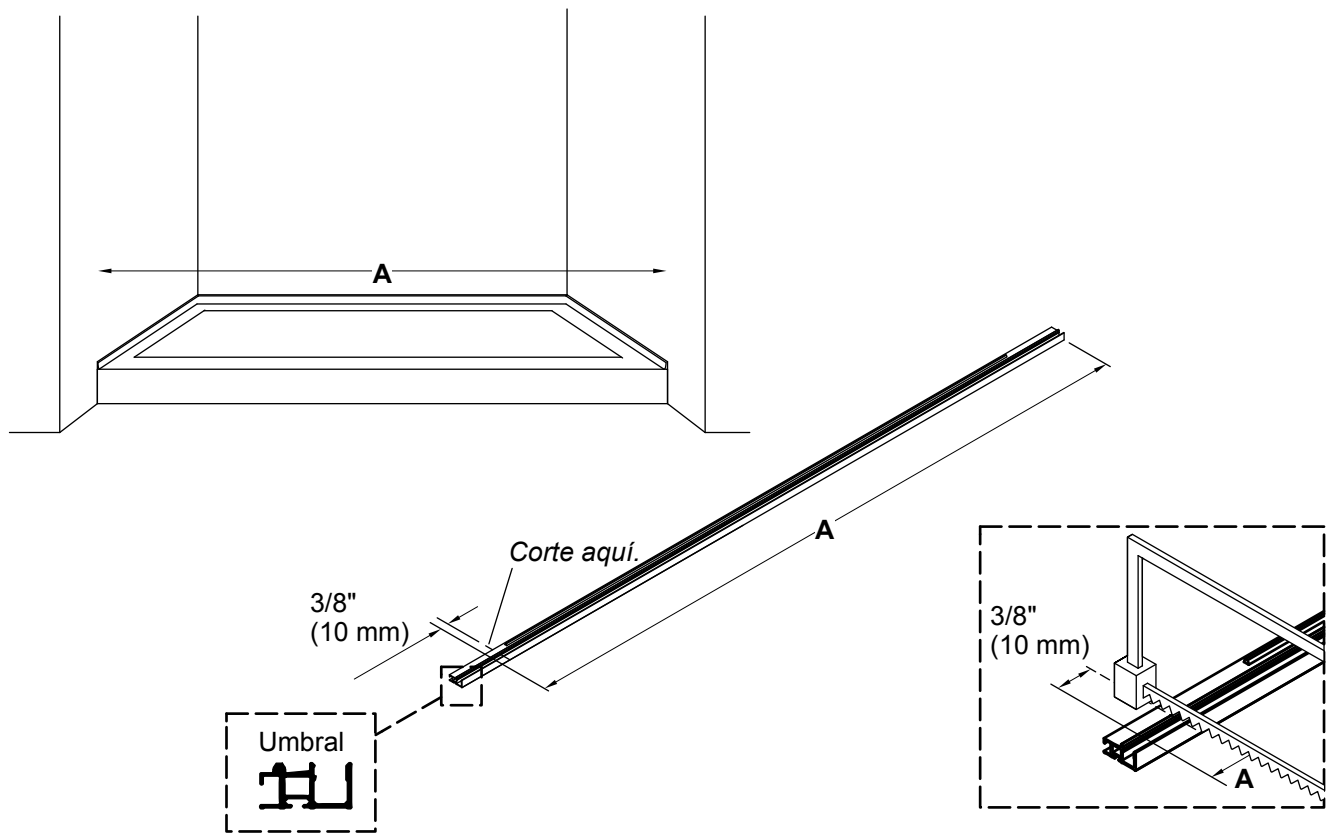
Debe haber por lo menos 1-3/4" (44 mm) de superficie plana en la base de la ducha o en el reborde de la bañera.

Las paredes deben estar a menos de 3/8" (10 mm) de estar a plomo.

La base de la ducha o el reborde de bañera deben estar nivelados entre las paredes.

El radio de la base de la ducha o del reborde de la bañera donde hace contacto con la pared debe ser de 1/4" (6 mm) o menos.

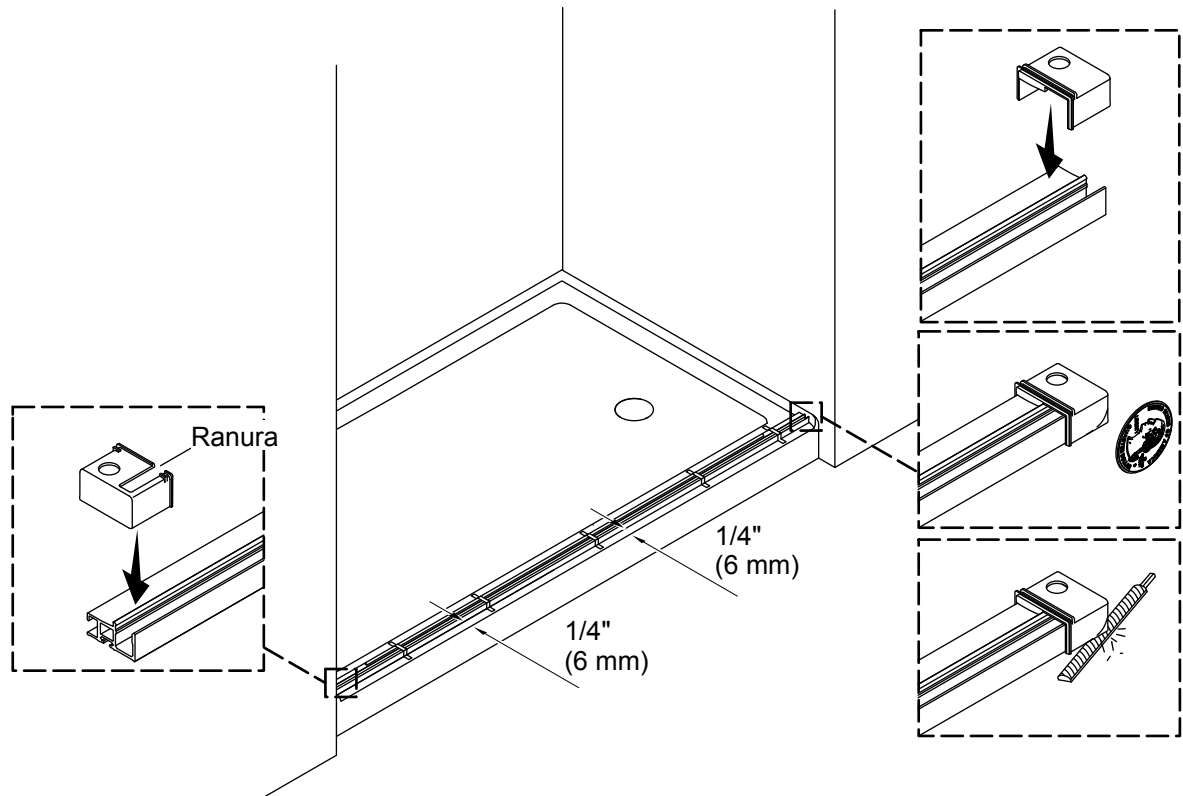
3. Mida y corte el umbral



⚠ AVISO: Riesgo de lesiones graves. Siempre use anteojos de seguridad al cortar y al taladrar.

- Proteja la superficie de la ducha con una lona.
- Mida la distancia "A" entre las paredes de la ducha, y marque la distancia en el umbral.
- Mida 3/8" (10 mm) a partir de la marca "A", y haga una segunda marca en el umbral, como se indica.
- Recorte el umbral en la segunda marca, y lime los bordes ásperos.

4. Coloque el umbral en su lugar



AVISO: El umbral debe quedar asentado sobre una superficie plana.

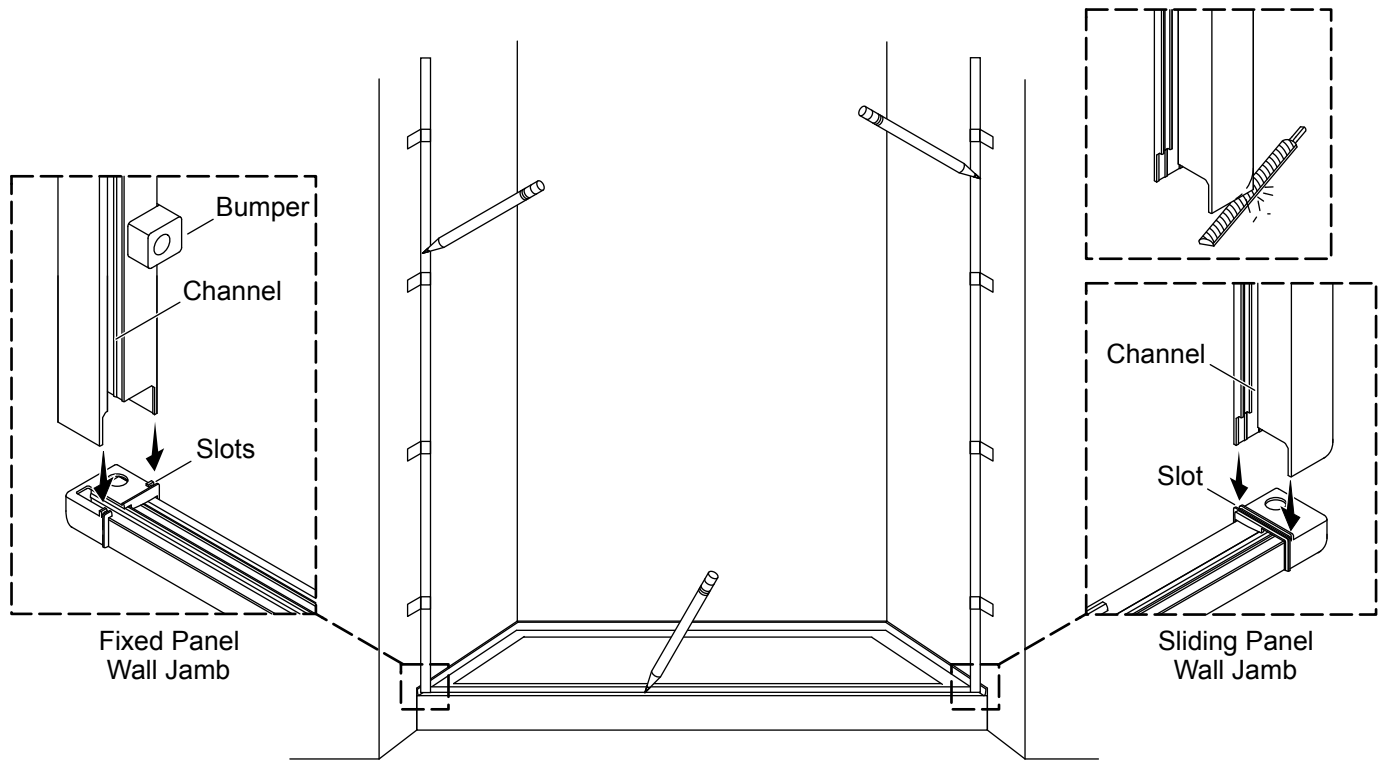
- Coloque el umbral a 1/4" (6 mm) del reborde de la base de la ducha o de la bañera a todo su largo, y marque el lugar.
- Con cinta de enmascarar sujete con firmeza el umbral en su lugar a lo largo de la marca, centrado entre las paredes.

NOTA: Seleccione las tapas de extremo correctas de acuerdo a la orientación de la puerta, como se indica en la sección "Determine la configuración de la puerta".

NOTA: La tapa de extremo que tiene la ranura se instala del lado del panel fijo.

- Meta a presión una tapa de extremo a cada extremo del umbral.
- De ser necesario, lime los extremos del umbral y de las tapas de extremo para que ajusten contra las paredes de la ducha. Con una moneda iguale y copie el radio de cada esquina.

5. Coloque las jambas murales



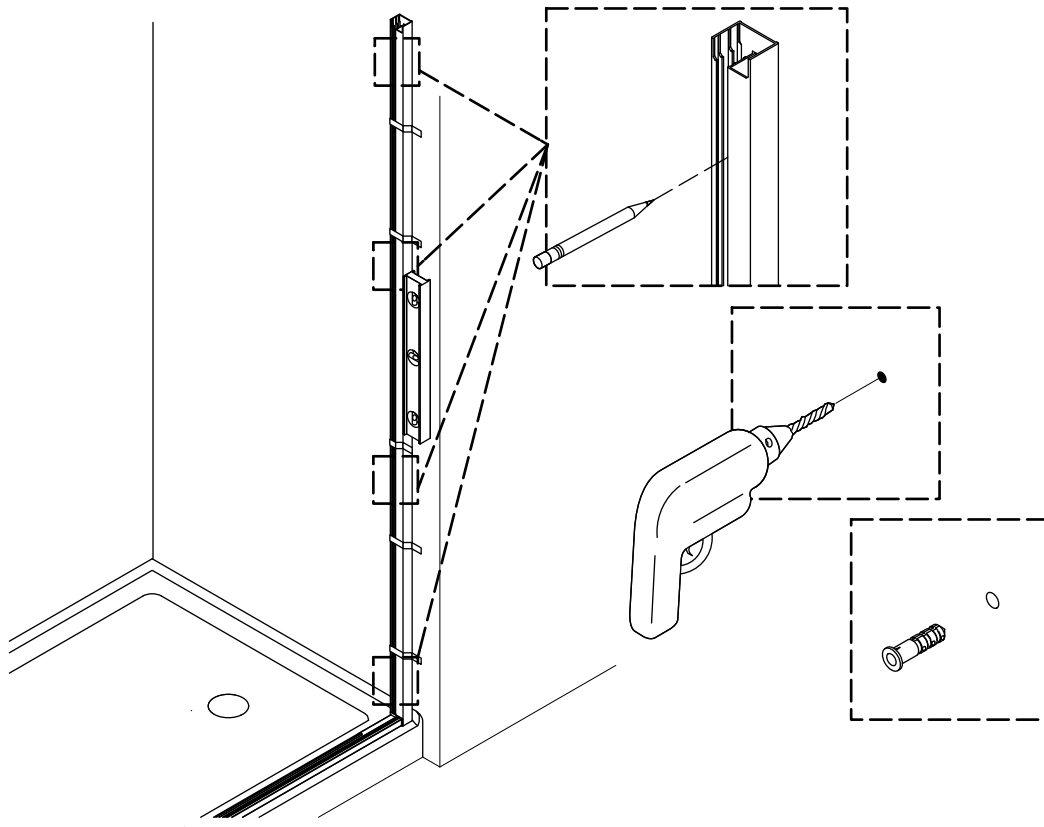
NOTA: La canaleta en la jamba mural del panel fijo debe quedar más cerca del exterior de la ducha.

NOTA: La canaleta en la jamba mural del panel corredizo debe quedar más cerca del interior de la ducha.

NOTA: Las jambas murales se ajustan en las ranuras de las tapas de extremo.

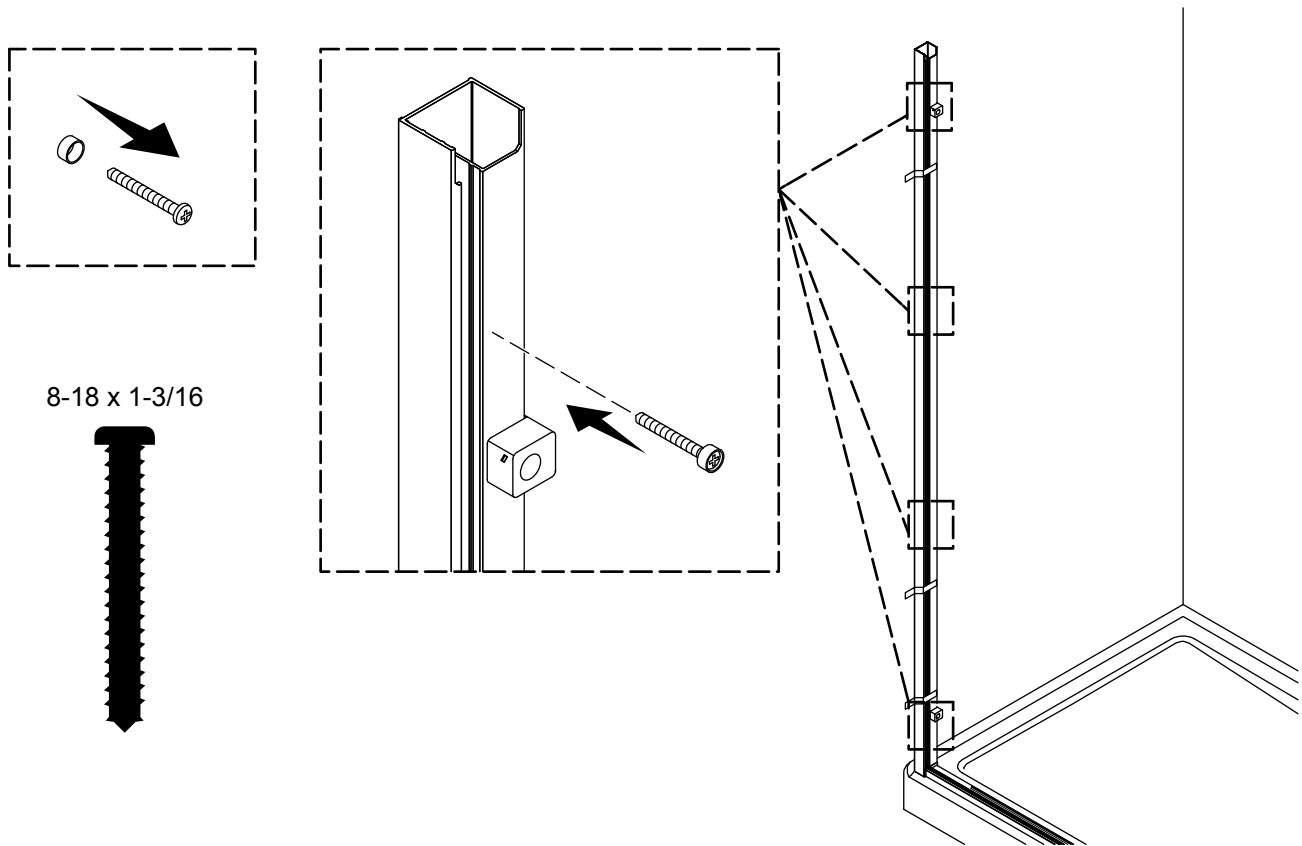
- Coloque la jamba mural que tiene parachoques en el umbral en el lado del panel fijo, contra la pared.
- De ser necesario, lime la parte inferior de las jambas murales para igualarlos al radio de las esquinas de la pared de la ducha.
- Coloque a plomo la jamba mural.
- Pegue bien la jamba mural en su lugar con cinta de enmascarar, y marque su lugar en la pared.
- Repita este procedimiento con la segunda jamba mural.
- Verifique que el umbral quede paralelo al frente de la base de la ducha o del reborde de la bañera.

6. Marque los lugares de instalación de las jambas murales



- Marque con un lápiz o con una broca los lugares para los orificios de anclaje en cada jamba mural.
- Retire ambas jambas murales, y colóquelas a un lado.
- Taladre un orificio de 1/4 pulg en cada lugar marcado. En paredes de azulejo use una broca para mampostería.
- Instale los anclajes de pared que se incluyen. De ser necesario, dé golpes ligeros a los anclajes hasta que queden al ras contra la pared.
- Limpie por completo la base de la ducha y las paredes.

7. Instale las jambas murales



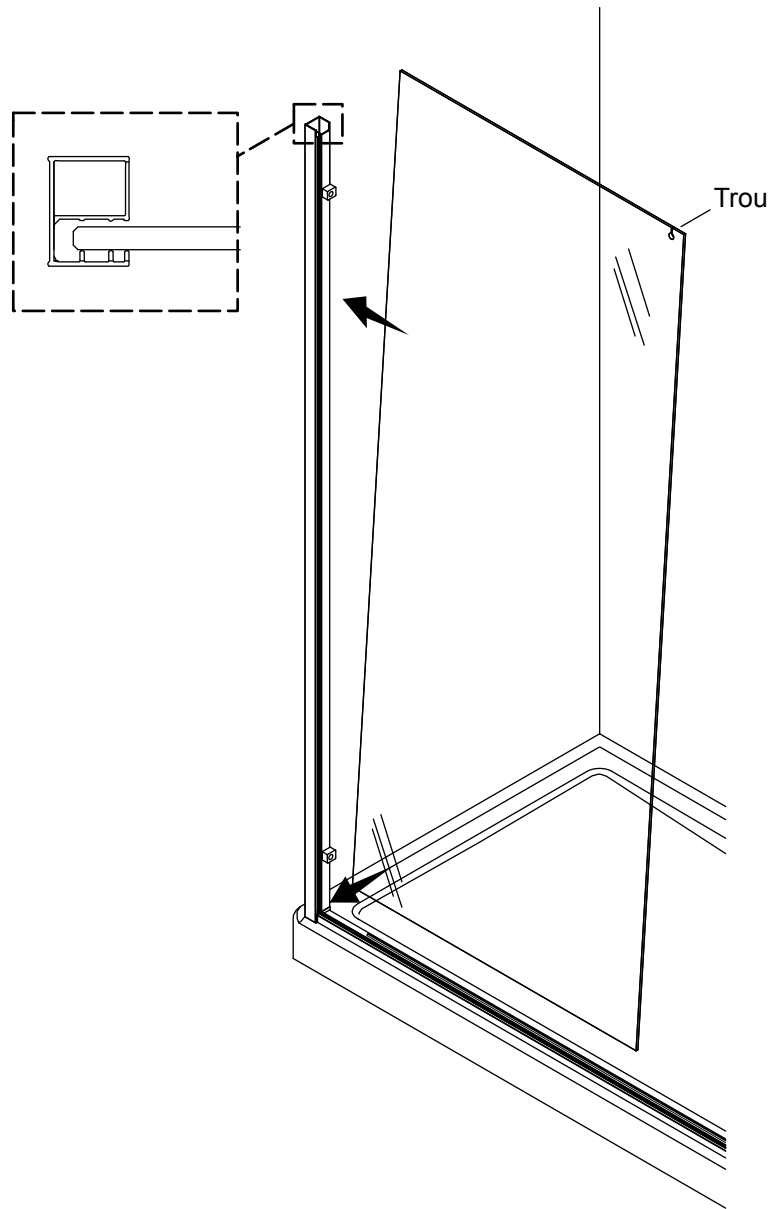
⚠ PRECAUCIÓN: Riesgo de ocasionar daños al producto. La instalación de las arandelas de tornillos es crítica para evitar que se rompa el vidrio.

- Vuelva a colocar la jamba mural del panel fijo, alineada con los orificios de anclaje.
- Introduzca una arandela de tornillo en cada tornillo, hasta que la cabeza del tornillo quede empotrada en la arandela de tornillo.
- Fije la jamba mural con 4 tornillos #8-18 x 1-3/16 pulg.

NOTA: No es necesario usar arandelas de tornillo en la jamba mural del panel corredizo.

- Repita este procedimiento con la segunda jamba mural.

8. Instale el panel fijo

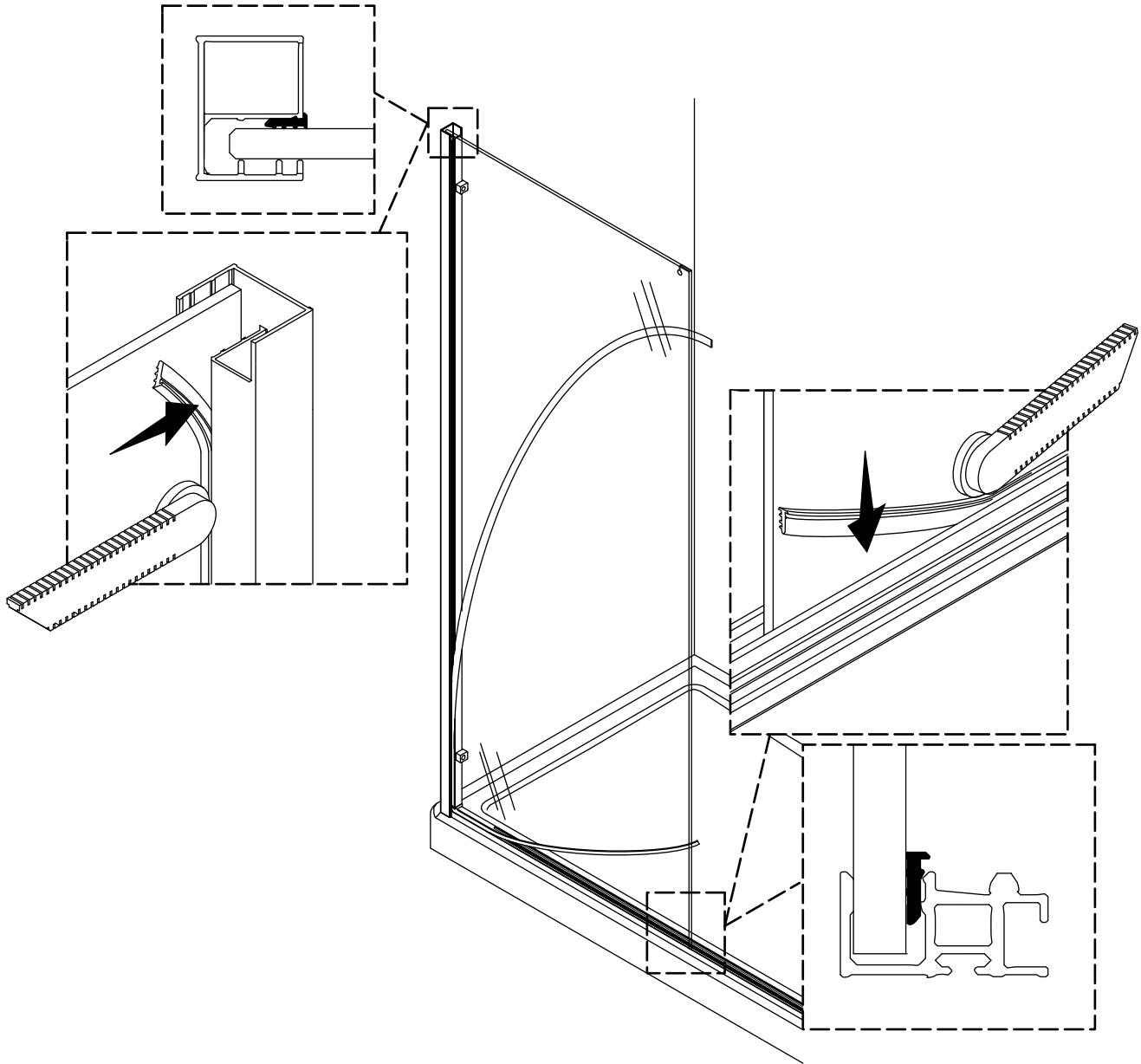


⚠ PRECAUCIÓN: Riesgo de sufrir lesiones personales. El vidrio templado no debe hacer contacto con superficies duras, ya que podría quebrarse en pedazos. No toque el borde de un panel de vidrio templado con herramientas ni con ningún otro objeto duro.

¡IMPORTANTE! El orificio en el panel fijo debe quedar orientado como se muestra arriba.

- Con ayuda, instale el panel fijo en el umbral y en la jamba mural del panel fijo hasta que el panel haga contacto con las arandelas de los tornillos.

9. Instale los sellos en cuña



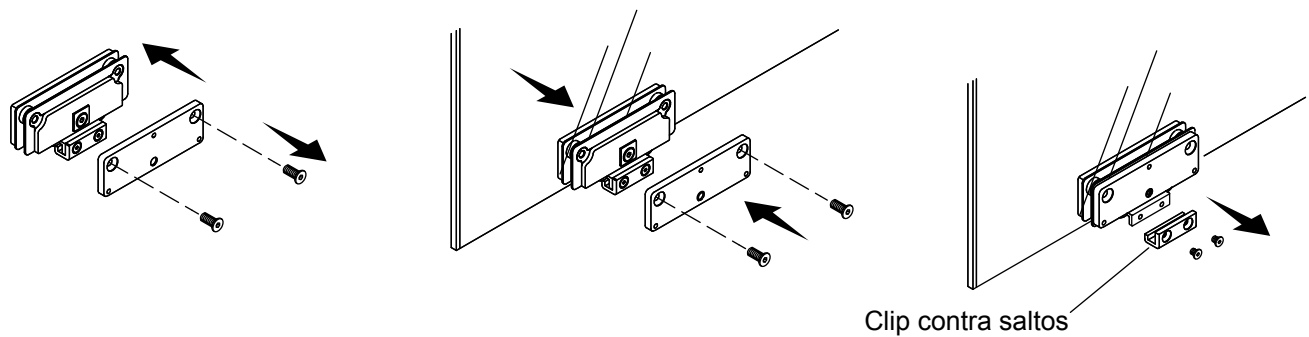
⚠ PRECAUCIÓN: Riesgo de ocasionar daños al producto. Con la herramienta de instalación que se incluye, empuje los sellos en cuña a su lugar. **No use objetos filosos para empujar los sellos en cuña a su lugar.**

AVISO: La instalación del sello en cuña debe comenzar en la esquina interior inferior del panel fijo.

- Desde el interior de la ducha, comience a instalar el sello en cuña corto en la esquina inferior del panel fijo.
- Desde el interior de la ducha, comience a instalar el sello en cuña largo en la esquina inferior del panel fijo.
- Recorte el exceso de longitud de los sellos en cuña que sobresalgan del panel fijo.

10. Instale los rodamientos del panel corredizo

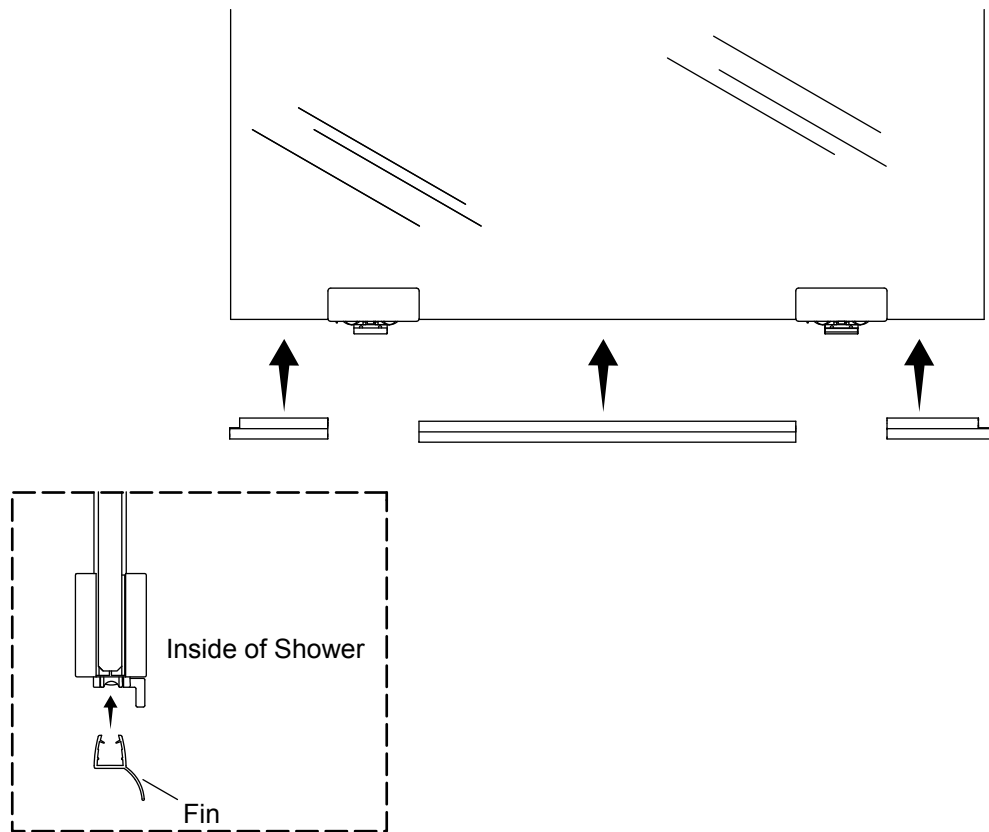
ES



¡IMPORTANTE! Al instalar las rueditas, los clips contra saltos deben quedar de cara al interior de la ducha.

- Con la llave hexagonal, o Allen, de 3 mm, que se incluye, desensamble cada uno de los ensamblajes de los rodamientos.
- Vuelva a ensamblar cada uno de los ensamblajes de rodamientos en el panel corredizo.
- Con la llave hexagonal, o Allen, de 2,5 mm que se incluye, retire el clip contra saltos de cada uno de los ensamblajes de rodamientos y consérvelos para instalarlos más adelante.

11. Instale los sellos inferiores

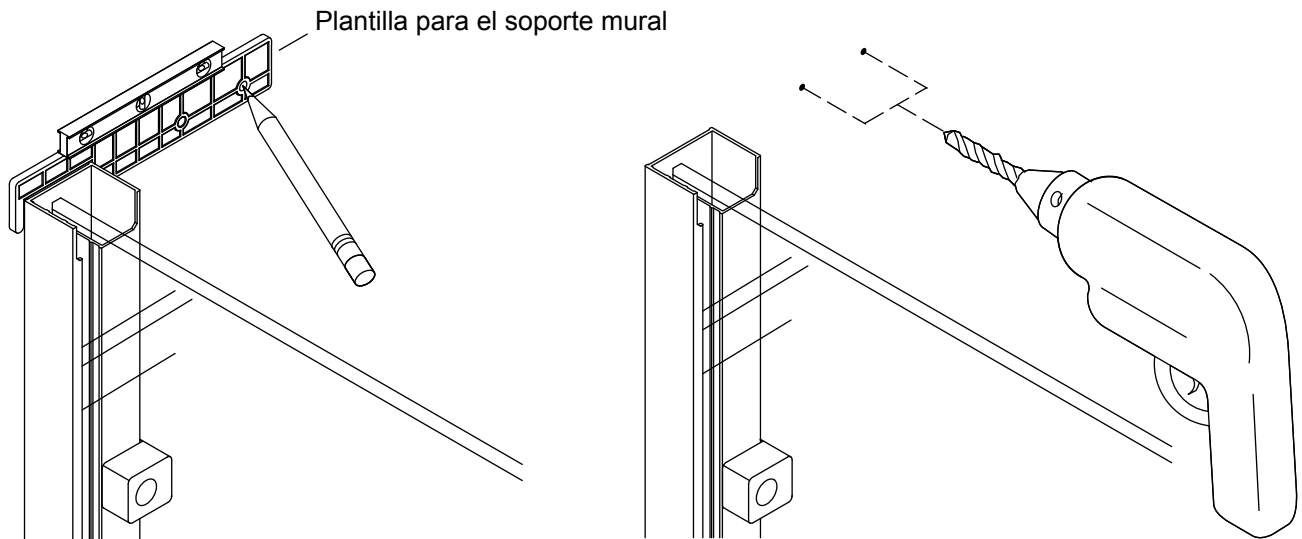


NOTA: La aleta debe quedar hacia el interior de la ducha.

- Presione los 3 sellos en la parte inferior del panel corredizo.

12. Taladre los orificios para el soporte mural

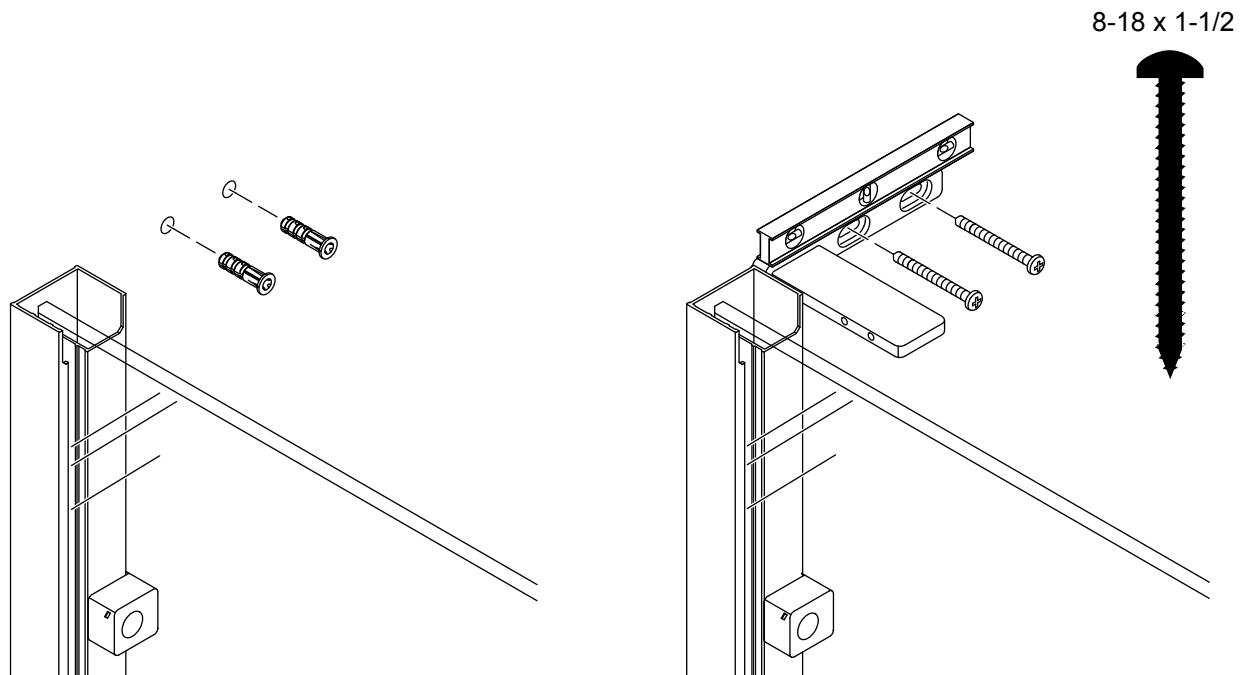
ES



¡IMPORTANTE! Es crítica la ubicación de los orificios para la ménsula de pared. Verifique que los orificios estén correctamente marcados, y taladrados perpendiculares a la pared.

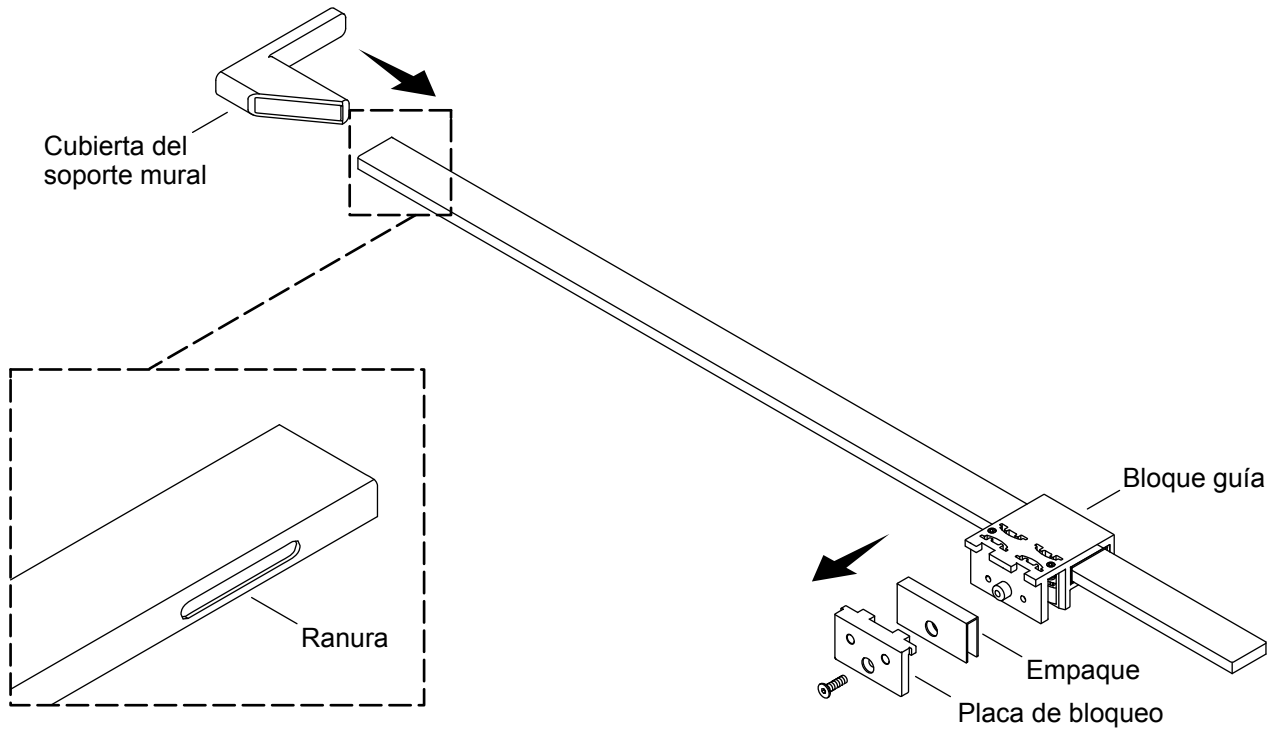
- Coloque la plantilla de la ménsula de pared sobre la jamba mural del panel fijo, apuntando hacia dentro de la ducha, como se indica.
- Verifique que la plantilla quede bien asentada sobre la jamba mural del panel fijo, plana contra la pared, y nivelada.
- Marque los lugares para los orificios, y retire la plantilla.
- Taladre orificios de 1/4 pulg. perpendiculares a la pared en los lugares marcados. **Verifique que al taladrar el taladro no esté diagonal.**

13. Instale el soporte mural



- Instale los anclajes de pared que se incluyen. Verifique que los anclajes queden bien asentados en la pared.
- Coloque la ménsula de pared sobre los anclajes de pared, como se indica.
- Fije cada uno de los soportes murales con 2 tornillos #8-18 x 1-1/2 pulg. (se incluyen).
- Verifique que el soporte mural quede nivelado. Afloje los tornillos y ajuste la posición, de ser necesario.

14. Prepare la barra de refuerzo

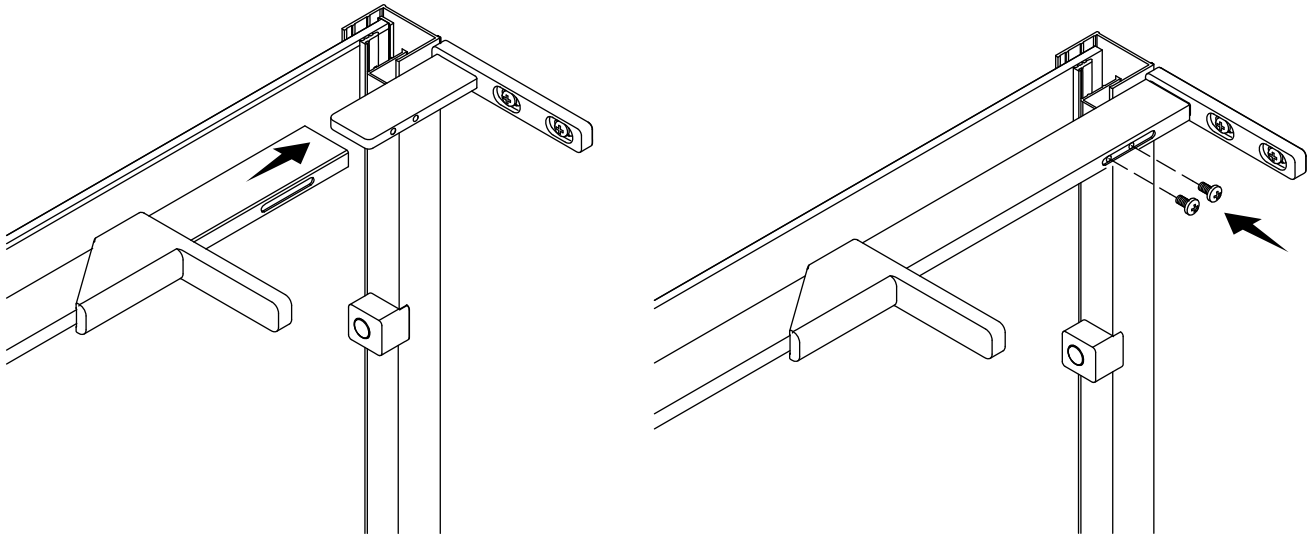


- Retire la placa de bloqueo y el empaque del bloque guía, y colóquelos a un lado para instalarlos más adelante.

NOTA: La ranura en la barra de refuerzo debe quedar hacia el interior de la ducha y apuntar hacia la pared.

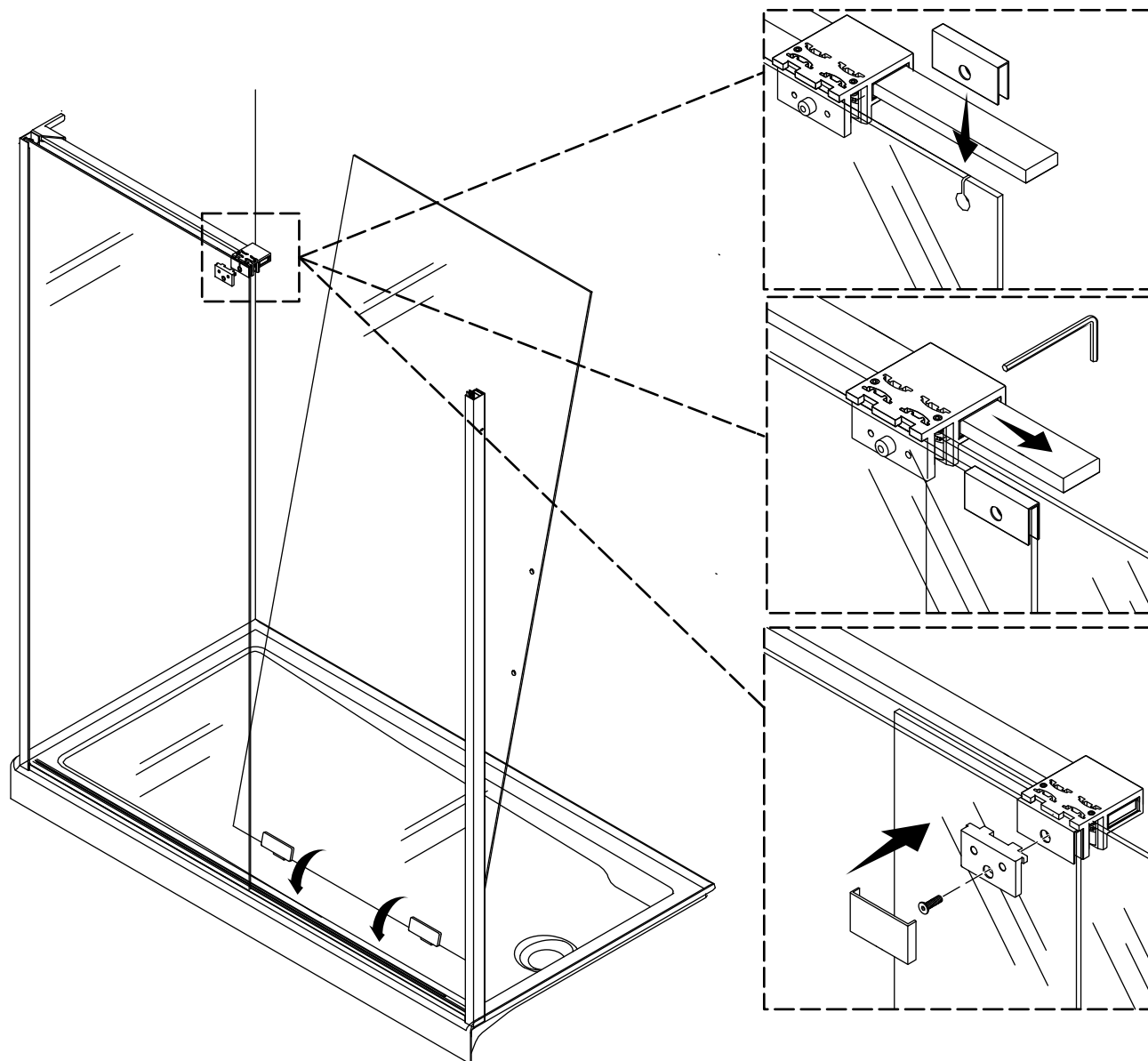
- Deslice la cubierta de la ménsula de pared hacia el extremo de la barra de refuerzo.

15. Instale la barra de refuerzo



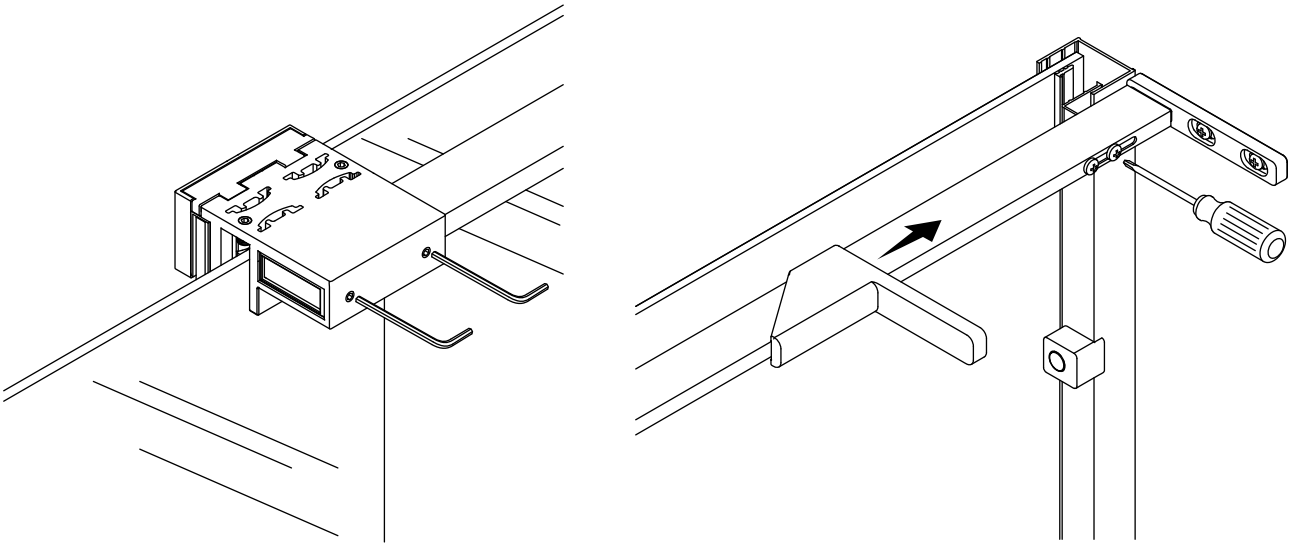
- Instale la barra de refuerzo en la ménsula de pared.
- Introduzca, sin apretar, 2 tornillos M4x8 mm (se incluyen) a través de la ranura en la barra de refuerzo.

16. Instale el panel corredizo



- Coloque un empaque en el panel fijo, y alinee el orificio en el empaque con el orificio en el panel fijo.
- Con asistencia, coloque las rueditas del panel corredizo en su lugar en el carril del umbral, e incline el panel hacia una posición vertical.
- Afloje los 2 tornillos de fijación en la parte posterior del bloque guía.
- Deslice el bloque guía hacia abajo de la barra de refuerzo hasta que la canaleta se deslice sobre el panel corredizo y el bloque guía quede alineado con el orificio en el panel fijo.
- Con la llave hexagonal (llave Allen) de 3 mm, que se incluye, fije la placa de bloqueo en el bloque guía a través del orificio en el panel fijo.
- Oprima la cubierta sobre la placa de bloqueo.

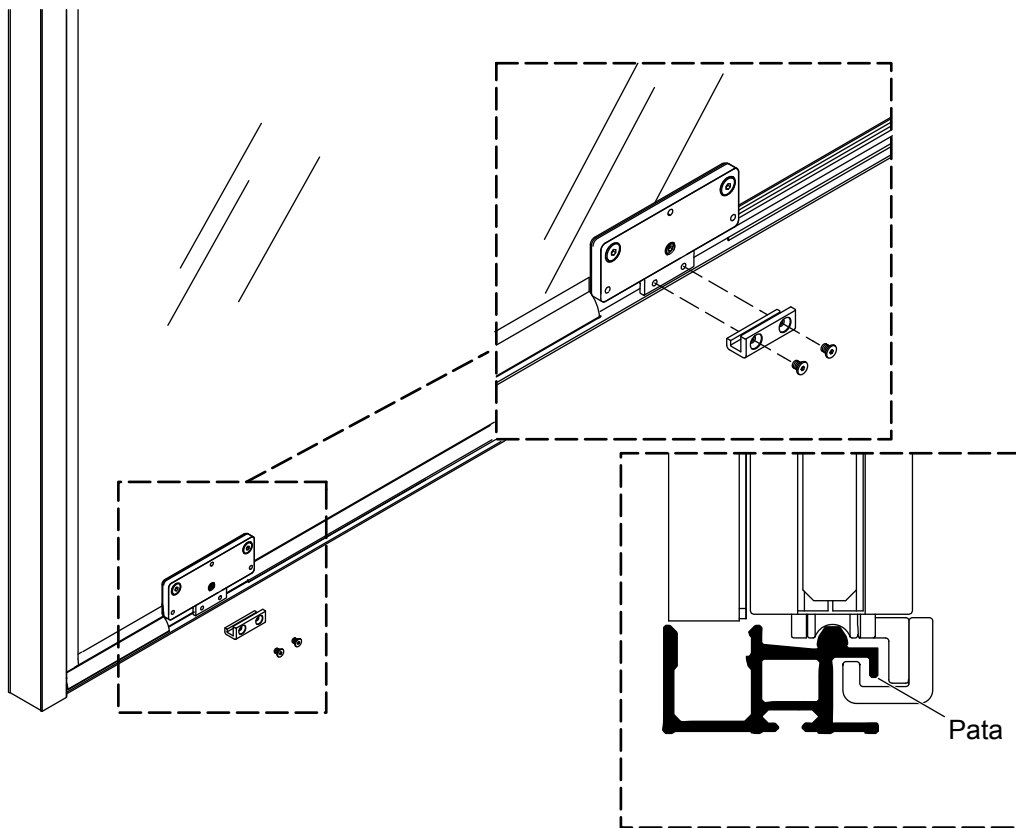
17. Fije la barra de refuerzo



- Verifique que el extremo de la barra de refuerzo quede al ras con el bloque guía.
- Con la llave hexagonal (llave Allen) de 2,5 mm, que se incluye, apriete los 2 tornillos en la parte posterior del bloque guía.
- Apriete los 2 tornillos en la ménsula de pared.
- Introduzca la cubierta de la ménsula en la ménsula de pared.

18. Instale los clips contra saltos

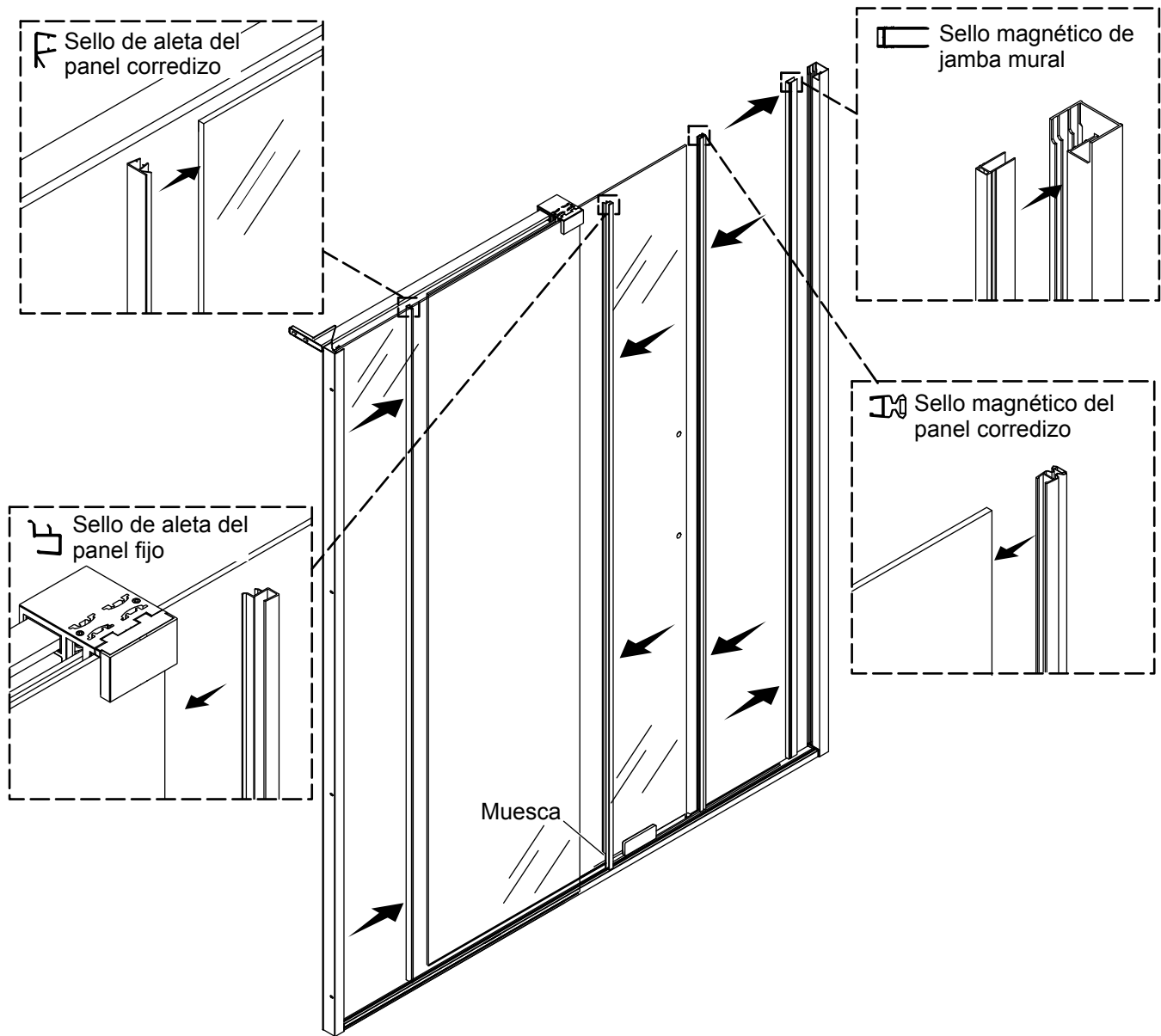
ES



⚠ PRECAUCIÓN: Riesgo de sufrir lesiones personales. Verifique que los clips contra saltos estén enganchados con la pata en el umbral.

- Con la llave hexagonal, o Allen, de 2,5 mm, que se incluye, instale un clip contra saltos en cada rodamiento en el panel corredizo.

19. Instale los sellos restantes



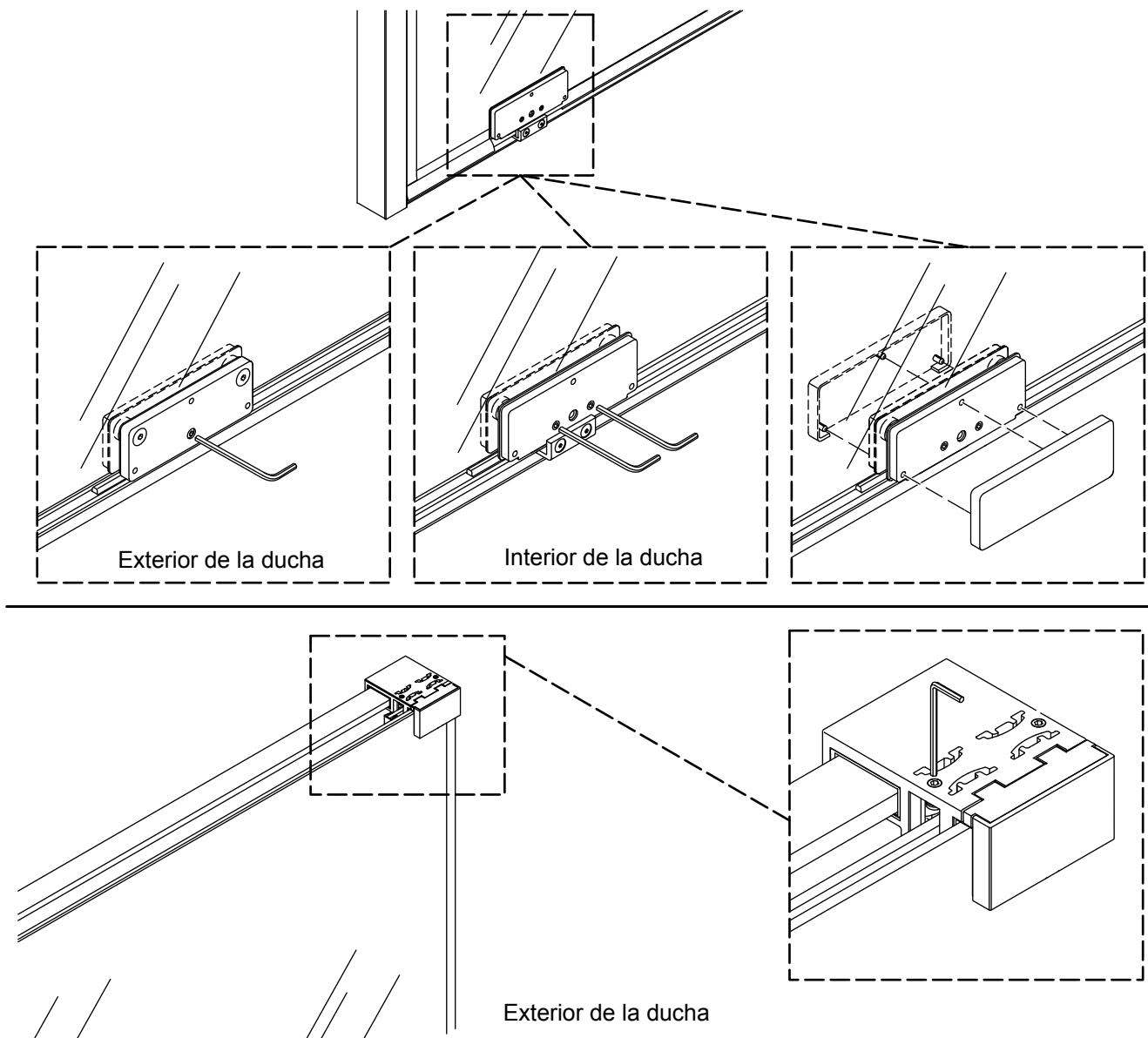
- Instale un sello magnético de jamba mural en la canaleta de la jamba mural del panel corredizo.
- Instale un sello magnético de panel corredizo en el borde del panel corredizo que hace contacto con la jamba mural del panel corredizo.
- Instale el sello de aleta del panel fijo contra el borde del panel fijo.

NOTA: El sello de aleta del panel fijo tiene una muesca a cada extremo. La muesca superior se va a recortar.

- Recorte la muesca superior de forma que el sello de aleta se ajuste abajo del bloque guía.
- Instale el sello de aleta del panel corredizo contra el extremo del panel corredizo.

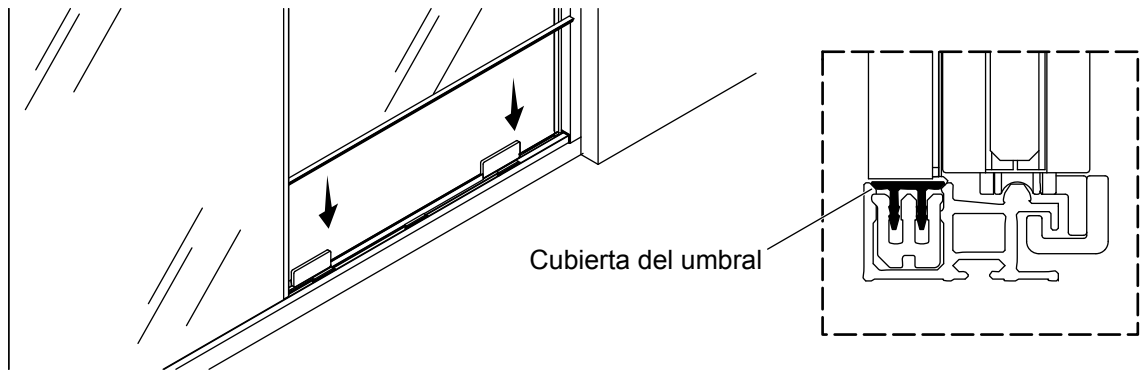
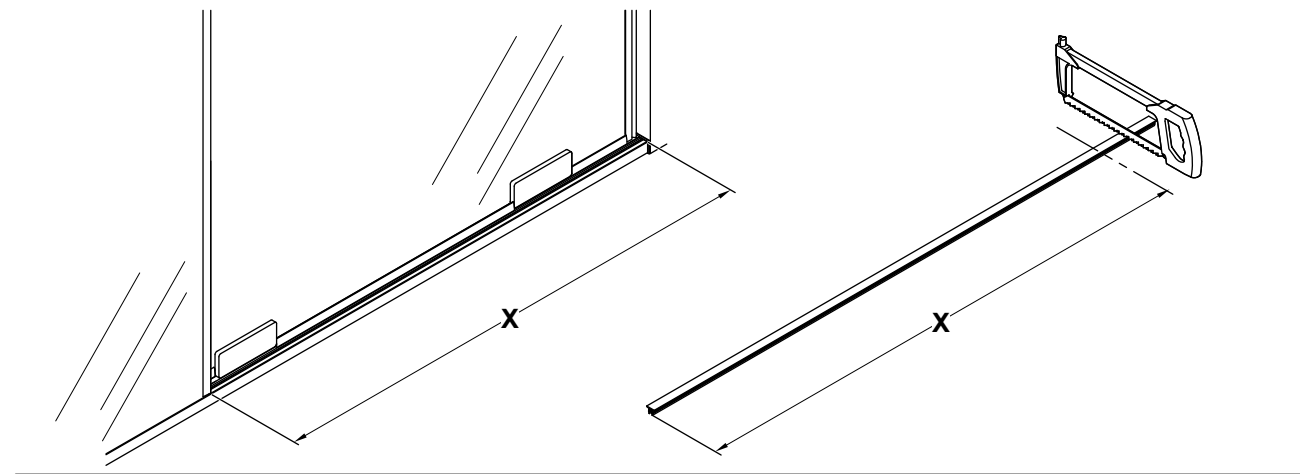
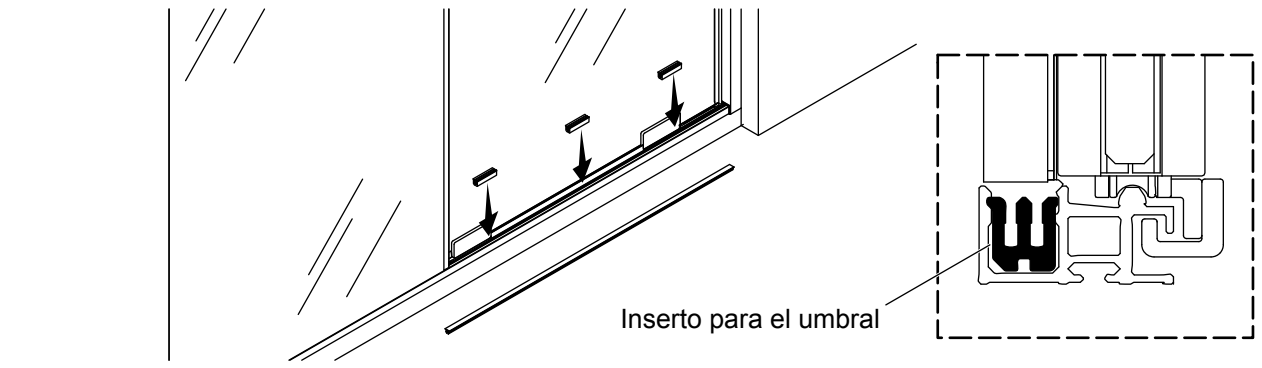
20. Ajuste el panel corredizo

ES



- En el lado hacia interior de la ducha de cada rodamiento, con la llave hexagonal, o llave Allen, de 3 mm, que se incluye, gire el tornillo de fijación para ajustar el panel corredizo.
- Ajuste el panel corredizo de forma que el sello magnético en el panel y el sello magnético en la jamba mural hagan contacto por completo entre sí.
- Apriete los 2 tornillos de fijación en el lado opuesto de cada rodamiento para fijar la posición del panel corredizo. **Revise cada 6 meses si los rodamientos y los clips contra saltos están bien apretados.**
- Oprima una cubierta de rodamiento a ambos lados de cada uno de los ensamblajes de rodamientos. De ser necesario, retire el panel corredizo para dejar suficiente espacio para instalar las cubiertas exteriores. Vuelva a instalar el panel corredizo.
- Con la llave hexagonal (llave Allen) de 2,5 mm, que se incluye, haga girar los tornillos de fijación en la parte superior del bloque guía hasta que queden al ras con la parte superior del bloque guía.
- Si los tornillos de fijación hacen contacto con el panel corredizo, hágalos girar un cuarto de vuelta.

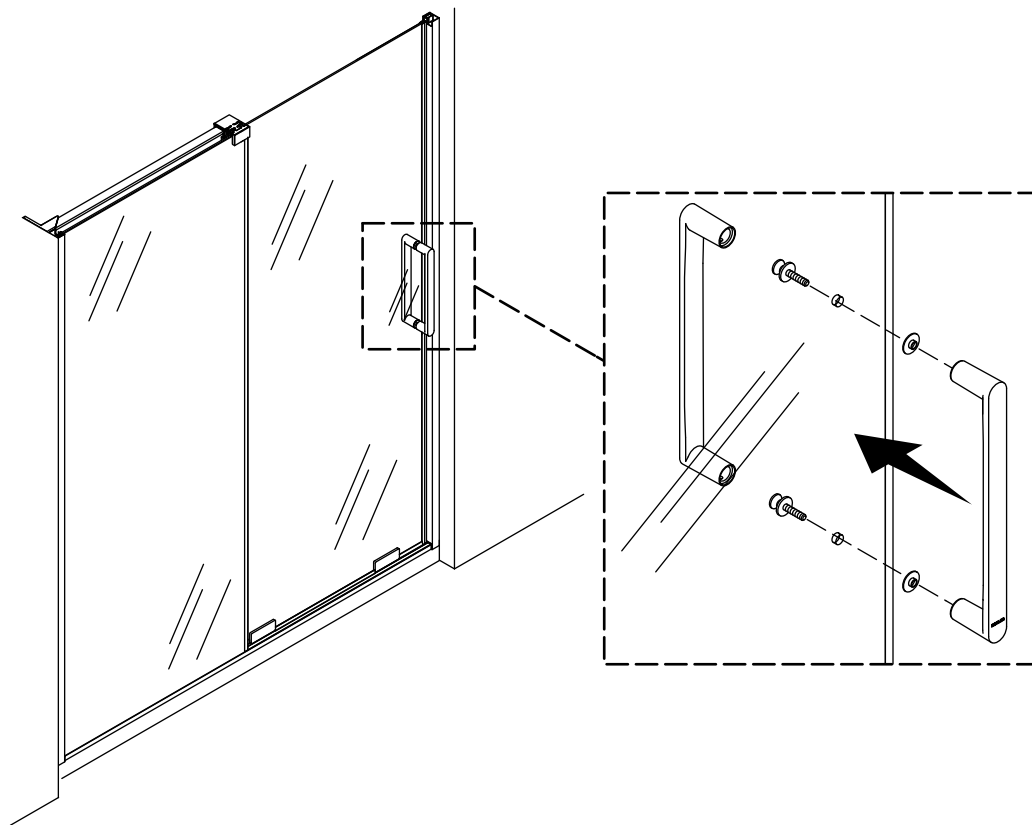
21. Instale la cubierta del umbral



- Coloque insertos transparentes en el umbral espaciados de manera uniforme, y oprimalos dentro del umbral.
- Mida desde el borde del panel fijo hasta la jamba mural del panel corredizo, y marque esta medida en la cubierta del umbral.
- Con una sierra de mano, recorte la cubierta del umbral en la línea marcada. Lime los bordes ásperos.
- Oprima la cubierta del umbral hacia los insertos del umbral, hasta que el umbral entre a presión en su lugar.

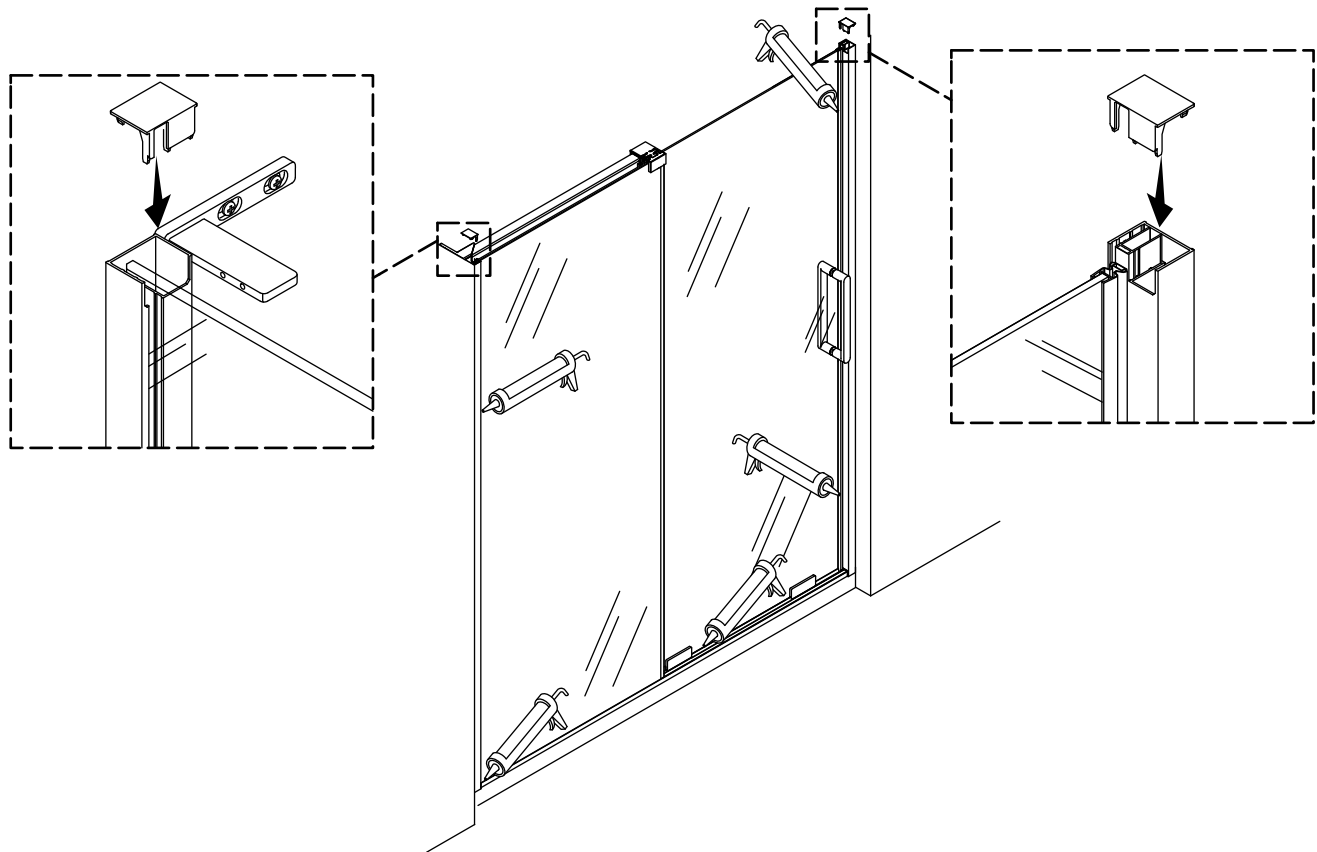
22. Instale las manijas

ES



- Coloque un buje en cada lado de cada orificio para manija.
- Desde el interior de la ducha, introduzca un perno a través de cada uno de los orificios para manija.
- Con las letras "KOHLER" en la parte inferior, coloque la manija exterior sobre los pernos. Atornille los pernos en la manija.
- Apriete los pernos con un destornillador. **¡No los apriete demasiado!**
- Instale la manija interior sobre los pernos.
- Fije la manija interior con los 2 tornillos de fijación. Apriete con la llave hexagonal de 2,5 mm, que se incluye.

23. Termine la instalación



NOTA: Seleccione las cubiertas de jambas murales correctas de acuerdo a la orientación de la puerta, como se indica en la sección "Determine la configuración de la puerta".

- Oprima una tapa de jamba mural en la parte superior de cada una de las jambas murales.
- Aplique sellador 100 % de silicona a lo largo del borde exterior del umbral.
- Aplique sellador 100 % de silicona a todo lo largo de los bordes exterior e interior de cada una de las jambas murales.

Resolución de problemas

Esta guía de resolución de problemas está diseñada únicamente como ayuda general. Si tiene preguntas acerca de servicio e instalación, llame al 1-800-4KOHLER.

Síntomas	Causa probable	Acción recomendada
1. La puerta hace ruido cuando se abre o se cierra.	<p>A. El panel de la puerta está ajustado demasiado alto y está rozando en el bloque guía.</p> <p>B. Las rueditas están sueltas.</p> <p>C. Los rodamientos se han desgastado.</p>	<p>A. Afloje los tornillos de fijación de nylon en la parte superior del bloque guía 1/4 de vuelta de forma que ya no hagan contacto con la parte superior del panel.</p> <p>B. Apriete los tornillos de los rodamientos con las herramientas necesarias y la llave hexagonal que se incluye.</p> <p>C. Cambie las rueditas.</p>
2. Es difícil mover la puerta, o no abre.	<p>A. El panel de la puerta está ajustado demasiado alto y está rozando en el bloque guía.</p> <p>B. Las rueditas están sueltas.</p> <p>C. Los rodamientos se han desgastado.</p>	<p>A. Afloje los tornillos de fijación de nylon en la parte superior del bloque guía 1/4 de vuelta de forma que ya no hagan contacto con la parte superior del panel.</p> <p>B. Apriete los tornillos de los rodamientos con las herramientas necesarias y la llave hexagonal que se incluye.</p> <p>C. Cambie las rueditas.</p>
3. La cubierta del soporte mural no se mantiene apretada contra la pared.	<p>A. Las estrías de apretar están desgastadas y ya no soportan la cubierta a la pared.</p>	<p>A. Aplique sellador 100 % de silicona entre la cubierta del soporte mural y el soporte mural. Deje que la silicona se seque durante 24 horas.</p>
4. El sello magnético en el panel de la puerta no está alineado con el sello magnético en la jamba mural.	<p>A. El panel de la puerta no está ajustado a la jamba mural.</p>	<p>A. El panel de la puerta no está ajustado a la jamba mural. Eso se puede hacer al girar el tornillo de ajuste de cada uno de los rodamientos.</p>

Síntomas	Causa probable	Acción recomendada
5. Se fuga el agua.	<p>A. Se fuga agua por debajo del umbral.</p> <p>B. Se fuga agua por debajo de un panel de puerta.</p> <p>C. Se fuga agua alrededor de la jamba mural.</p> <p>D. Se fuga agua entre la pared y la jamba mural.</p> <p>E. Se fuga agua donde el panel fijo y el panel de la puerta se superponen.</p>	<p>A. Aplique sellador 100 % de silicona a lo largo del borde exterior del umbral. Antes de usar la ducha, siga las instrucciones del fabricante del sellador de silicona.</p> <p>B1. Ajuste las rueditas para bajar el panel de la puerta y acercarlo al reborde de la ducha. Consulte la sección "Ajuste el panel corredizo".</p> <p>B2. Verifique que los 3 sellos inferiores estén instalados en la parte inferior del panel de la puerta.</p> <p>C1. Ajuste el panel de la puerta, de forma que los sellos magnéticos hagan contacto en toda la altura de la puerta.</p> <p>C2. Verifique que los sellos de cuña estén instalados entre el vidrio y la jamba mural a toda la altura del panel.</p> <p>D. Aplique sellador 100 % de silicona donde la pared hace contacto con la jamba mural, tanto en el interior como en el exterior de la ducha. Antes de usar la ducha, siga las instrucciones del fabricante del sellador de silicona.</p> <p>E. Instale un sello de aleta en cada uno de los paneles, de acuerdo a la sección "Instale los sellos restantes". Verifique que el sello de aleta llegue hasta la parte superior del umbral, y que quede parejo con la parte inferior de cada uno de los paneles de puerta.</p>
6. La manija golpea contra el panel fijo al abrir la puerta.	<p>A. El panel fijo no encaja por completo en la jamba mural.</p>	<p>A. Empuje el panel fijo contra la jamba mural hasta que haga contacto con las arandelas alrededor de cada cabeza de tornillo.</p>
7. El panel fijo no está ajustado dentro de la jamba mural.	<p>A. La canaleta en el umbral no queda alineada con la canaleta en la jamba mural.</p>	<p>A. Revise la orientación del umbral y de las jambas murales. Los topes en las jambas murales deben quedar hacia el interior de la ducha. La canaleta en el umbral queda alineada con la canaleta en la jamba mural.</p>

[kohler.com](https://www.kohler.com)

THE BOLD LOOK
OF **KOHLER**®

©2024 Kohler Co.



1582333-2

1582333-2-A